

2023 **SCCA** GENERAL COMPETITION RULES



[SCCA.COM/ROADRACING](https://www.scca.com/roadracing)

TIRE RACK
.com



HAWK

HAGERTY



2023

GENERAL COMPETITION RULES

Updated Through Technical Bulletin 23-04

Sports Car Club of America, Inc.
Road Racing Department
6620 SE Dwight St.
Topeka, Kansas 66619
(800) 770-2055
www.scca.com

roadracing@scca.com

©2023 Revised

SPORTS CAR CLUB OF AMERICA, INC.

All rights reserved. No part of this book may be reproduced or transmitted in any form or by means electronic or mechanical, including photocopying, recording, or by any information storage or retrieval system, without permission in writing from the Sports Car Club of America or as allowed in this book.

The following are registered trademarks of SCCA and are used throughout the General Competition Rules without the circle R.

AMERICAN SEDAN
FASTRACK
FORMULA ATLANTIC
FORMULA CONTINENTAL
FORMULA VEE
PRESS ON REGARDLESS
PRO SOLO
PROSOLO (STYLIZED)
RALLYCROSS (STYLIZED)
RUNOFFS
SCCA
SCCA PRO RACING
SCCA PRO RACING & DESIGN
SCCA U.S. MAJORS TOUR & DESIGN
SOLO
SPEC RACER
SPORTS CAR CLUB OF AMERICA & DESIGN
SPORTSCAR (STYLIZED)
STREET TOURING (STYLIZED)
SUPER TOURING
TRACK NIGHT IN AMERICA
TRACK NIGHT IN AMERICA & DESIGN
TRANS AM
TRANS AM (STYLIZED)
TRANS-AM
UNITED STATES ROAD RALLY CHALLENGE

The General Competition Rules (GCR) of the Sports Car Club of America are intended to assist in the orderly conduct of race events. They are in no way a guarantee against injury or death to participants, spectators, or others. No express or implied warranties of safety or fitness for a particular purpose are intended or shall result from publication of or compliance with these rules.

FOREWORD

Electronic and printed editions of the GCR are available. The electronic edition may be updated during the calendar year and will be available on the SCCA website. The electronic editions take precedence over the printed edition. Express permission is granted members and others to transmit and use the electronic editions for purposes related to SCCA Road Racing activities.

“In all societies where there is competition - there must be laws to regulate that competition. The extent to which that competition is carried, whether by intensity or sophistication, determines the degree of complexity of the necessary laws; and the extent to which those laws are willingly accepted determines, no less, the degree of civilization of that society.”

Translated and re-written from Thales of Miletus.

This book is the property of:

Name: _____

Address: _____

City: _____

State: _____ Zip: _____

Region: _____



Mission – Vision – Values
and
Welcoming Environment Statement

The Mission of the SCCA is to fuel a safe, fun and exciting motorsports experience for auto enthusiasts.

Our Vision is to be the preferred motorsports community in the U.S., built on fun, shared passion and access to an exhilarating motorsports experience.

In all its activities, the SCCA seeks to foster an atmosphere that encourages living the Values of the SCCA:

Excellence – The Spirit of a Competitor

Service – The Heart of a Volunteer

Passion – The Attitude of an Enthusiast

Team – The Art of Working Together

Experience – The Act of Wowing our Community

Stewardship – The Mindset of an Owner

To that end, the SCCA strives to ensure that ALL participants in its events and activities enjoy a welcoming environment. The SCCA supports equality of opportunity and treatment for all participants and will make every effort to maintain an environment that is free of harassment, discrimination, and any behavior that interferes with a safe, fun, and exciting experience. A commitment to a welcoming environment and the SCCA Values is expected of all its members and attendees, including drivers, workers, crew, guests, staff, contractors and exhibitors, and other participants at SCCA activities, sessions and social events and when representing the SCCA in print or electronic media.

FAST FREE SHIPPING on All Orders Over \$50*

Heat Cycling is Available

Tires Arrive Ready
for Competition!



LIGHTWEIGHT WHEELS, BRAKES AND SUSPENSION



MUCH MORE TO SEE



©2022 Tire Rack

BLOG 888-380-8473 M-F 8am-8pm EST
SAT 9am-4pm EST

FAST FREE SHIPPING ON ORDERS OVER \$50 *tirerack.com/freeshipping



Never stop driving

Own a vehicle that thrills you?

Get coverage designed to protect your passion

Members of SCCA are eligible for a 5% discount on insurance through Hagerty*.

HAGERTY Let's Drive Together

888-406-8484
[hagerty.com](https://www.hagerty.com)

INSURANCE DRIVERS CLUB MOTORSPORTREG SPEEDWAIVER RACEHERO

*Discount applies to U.S. policies only; not available in CA, MA and TN. Policies underwritten by Essentia Insurance Company. Hagerty determines final risk acceptance. Membership by Hagerty Drivers Club (HDC), a non-insurance subsidiary of The Hagerty Group, LLC. Purchase of insurance not required for membership in HDC. Hagerty, Hagerty Drivers Club, SpeedWaiver & RaceHero are registered trademarks of the Hagerty Group LLC, ©2022 The Hagerty Group, LLC. All Rights Reserved



Winning Takes Work. Getting Parts is Easy.

Get the parts you want, and more value for your hard-earned money at Summit Racing Equipment. With over 1,500 brands and millions of parts in-stock, you'll find the race and high performance parts you're looking for. Plus you'll get:

- Fast same-day shipping on orders for in-stock parts placed by 10 pm EST
- Guaranteed low prices every day
- Number One-rated customer service and expert technical support

Shop online, via the Summit Racing Mobile App, or call us today and see why we've been The World's Speed Shop® since 1968!

Everything You Need For Anything You Drive.®



SUMMIT[®]
RACING EQUIPMENT

1-800-230-3030
SummitRacing.com[®]

BY RACERS, FOR RACERS!



OUR TRAILERS ARE BETTER BECAUSE WE USE THEM!

SCCA
Sports Car Club of America.

BRavo RACE TRAILERS ARE AVAILABLE IN ALUMINUM OR STEEL
AND IS THE EXCLUSIVE TRAILER PARTNER OF THE SCCA.

A HIGHER STANDARD OF PERFORMANCE

Bravo
TRAILERS

to learn more visit us at BRAVOTRAILERS.COM

CONTENTS

1.CONTROLLING COMPETITION	18
1.1.SCCA (Sports Car Club of America, Inc.)	18
1.2.SCCA GENERAL COMPETITION RULES	18
1.2.1. Replacing the GCR	18
1.2.2. Revising the GCR	18
1.2.3. Interpreting and Applying the GCR	18
1.2.4. Submitting to the GCR	19
1.3.Assumption of Risk	19
1.3.1. Release and Waiver of Liability, Assumption of Risk and Indemnity Agreement	19
1.4. Media Rights	20
2. PARTICIPANT CONDUCT	22
2.1.BREACH OF THE RULES	22
2.2.ADDITIONAL PARTICIPANT RESPONSIBILITIES	22
2.2.1. Authorized Events	22
2.2.2. Driver and Entrant Responsible for Crew	22
2.2.3. Waiver Signer Responsible for Minor	22
2.2.4. Official's Conflicts of Interest	22
2.2.5. Pets at the Track	22
2.2.6. Unmanned Aircraft Systems	22
2.3.IMPAIRMENT	23
2.3.1. Alcoholic Beverages, Narcotics, and Dangerous Drugs	23
2.3.2. Medical Fitness	23
2.4. DIVISIONAL ADMINISTRATOR, EXEC. STEWARD LICENSING AUTHORITY, MEMBER RIGHTS	24
2.5. EXECUTIVE STEWARD DRIVER AND OFFICIAL REVIEW	24
2.6. REVIEW COMMITTEE MEMBERS CONFLICTS OF INTEREST	25
2.7. CRB OFFICIAL REVIEW	25
3. EVENTS	28
3.1. TYPES OF SCCA RACE EVENTS	28
3.1.1. U.S. Majors Tour Races	28
3.1.2. Regional and Endurance Races	30
3.1.3. Drivers' Schools	30
3.1.4. Vintage/Historic Races	30
3.1.5. SCCA Test Days	31
3.2.SCHEDULING RACE EVENTS	31
3.3.SANCTIONING RACE EVENTS	31
3.4.SUPPLEMENTAL REGULATIONS AND ENTRY FORMS	31
3.4.1. Changing U.S. Majors Tour Supplemental Regulations	31
3.4.2. Changing Regional Race Supplemental Regulations	32
3.5. Insurance	32
3.5.1. Waivers	32
3.6. AWARDS	32
3.6.1. Distributing Awards	32
3.6.2. Trophies	32
3.6.3. Prize Money	32
3.6.4. Refuse Awards	32
3.7 CHAMPIONSHIPS	32
3.7.1. Division Championships	32
3.7.2. Conference Championships	32
3.7.3. Super Tour Championship	33
3.7.4. SCCA Runoffs	33
4. PARTICIPANT LICENSING, EVENT CREDENTIALS & ENTRIES	38
4.1. SCCA RESERVATIONS OF RIGHTS	38
4.2. SUBMITTING TO THE GCR	38
4.3. PARTICIPANT LICENSES	38
4.3.1. SCCA Licenses	38
4.3.2. SCCA Membership	38
4.3.3. Expiring License and Membership	38
4.3.4. Processing a Membership and License	38
4.3.5. Presenting a License	38
4.3.6. Required Membership and License	38
4.3.7. Karting License	38
4.4. Race Entries	38
4.4.1. Entering an Event	38
4.4.2. Entering Multiple Classes	39

4.4.3.	Withdrawing an Entry	39
4.4.4.	Falsifying an Entry	39
4.4.5.	Racing Under an Assumed Name	39
4.4.6.	Refusing an Entry	39
4.5.	EVENT CREDENTIALS	39
4.5.1.	Waivers	39
4.5.2.	Photo ID	39
4.5.3.	Hazardous Area Credentials	39
4.5.4.	Non-Hazardous Area Credentials	39
5.	OFFICIALS, THEIR DUTIES, OPERATING PROCEDURES, AND EQUIPMENT	42
5.1.	PRINCIPAL OFFICIALS	42
5.1.1.	Required Stewards	42
5.1.2.	Appointment	42
5.1.3.	Minimum Grades of Licenses	43
5.1.4.	Right to Oversight	43
5.1.5.	Plurality of Duties	43
5.1.6.	Separation of Duties	43
5.2.	RACE CHAIRMAN	43
5.2.1	U.S. Majors Tour Event Chairman Responsibilities	43
5.2.2.	Regional Event Race Chairman Responsibilities	43
5.3.	COURSE MARSHAL	43
5.4.	EMERGENCY SERVICES – MEDICAL and FIRE SAFETY	43
5.4.1.	Purpose	44
5.4.2.	Personnel	44
5.4.3.	Required Equipment	44
5.5.	FLAGGING AND COMMUNICATIONS	45
5.5.1.	Chief of Flagging and Communications	45
5.5.2.	General Organization	45
5.5.3.	Corner Stations	45
5.6.	REGISTRATION	46
5.7.	SOUND CONTROL	46
5.7.1.	Sound Control Chief	46
5.7.2.	General Procedures and Requirements	46
5.7.3.	Standards	46
5.8.	START	47
5.8.1.	Chief Starter	47
5.8.2.	Responsibility	47
5.8.3.	Function	47
5.8.4.	Location	47
5.8.5.	Equipment	47
5.9.	TECHNICAL AND SAFETY INSPECTION	47
5.9.1.	Series Chief Tech Inspector and Chief Technical Inspector	47
5.9.2.	Inspecting Automobiles	47
5.9.3.	Impound	48
5.9.4.	Official Scales	49
5.10.	TIMING AND SCORING	49
5.10.1.	Chief of Timing and Scoring	49
5.10.2.	Approved Systems	50
5.10.3.	Timing and Scoring Systems	50
5.10.4.	Results	50
5.10.5.	Media	51
5.11.	ADDITIONAL OFFICIALS	51
5.11.1.	Driver Observer	51
5.11.2.	Press Officer	51
5.11.3.	Judges	51
5.11.4.	Compliance	51
5.11.5.	Race Data Technicians	51
5.12.	STEWARDS	52
5.12.1.	Stewards of the Meeting (SOM)	52
5.12.2	U.S. Majors Tour Race Director	53
5.12.3.	Chief Steward	53
5.12.4.	Assistant Chief Steward – Safety	54
6.	RACING RULES AND PROCEDURES	55
6.1.	FLAGS	55
6.1.1.	Meaning of Each Flag	55
6.1.2.	Lights Instead of Flags	56
6.2.	RULES OF THE PADDOCK	56
6.2.1.	Paddock Area Defined	56
6.2.2.	Retiring to the Paddock	56

6.3.RULES OF THE PITS	56
6.3.1. Pit Area Defined	56
6.3.2. Required Equipment	56
6.3.3. Fueling	56
6.3.4. Authorized Personnel in the Pits	56
6.3.5. Number of Crew Members in the Hot Pit Lane	56
6.3.6. Control	56
6.3.7. Pit Barrier	56
6.3.8. Overshooting the Pit	56
6.3.9. Air Bottles/Gas Cylinders	56
6.4.THE GRID	56
6.4.1. General	56
6.4.2. Establishing the Race Grid	57
6.4.3. Qualifying for Oversubscribed Classes	57
6.4.4. Starting the Engine on the Grid	57
6.4.5. Push Starts on the Grid	57
6.4.6. Fueling	57
6.4.7. Air Bottles/Gas Cylinders	57
6.5.RACES STARTS	57
6.5.1. The Grid	57
6.5.2. The Pace Lap	57
6.5.3. The SCCA Standard Rolling Start	58
6.5.4. An Aborted Start	58
6.5.5. Split Starts	58
6.5.6. Late Starters	59
6.6.PACE AND SAFETY CAR	59
6.6.1. Operation and Control	59
6.6.2. Full Course Yellow Procedures	59
6.7.STOPPING A SESSION	60
6.7.1. Methods	60
6.7.2. Assistance During Race Session Stoppage	60
6.8.RESTARTING A RACE	60
6.9.RAIN RACING	60
6.10.TIMING LINE; STARTERS, FINISHERS, AND WINNERS	60
6.10.1. Starting Line for Timing and Scoring	60
6.10.2. Race Starter	60
6.10.3. Race Finisher	61
6.10.4. Race Winner	61
6.10.5. Shortened Races	61
6.10.6. Lap Record	61
6.11.RULES OF THE ROAD	61
6.11.1. On Course Driver Conduct	61
6.11.2. Hand Signals	62
6.11.3. Off-Course Excursions	62
6.11.4. Counter-Race Direction Driving	62
6.11.5. Stopping on a Course; Accepting Assistance	62
6.11.6. Using the Engine Self-Starter on Course	62
6.11.7. Passengers	62
7. PENALTIES	63
7.1.WHO MAY BE PENALIZED	63
7.2.RANGE OF PENALTIES	63
7.3.MULTIPLE PENALTIES	63
7.4.PENALTY POINTS	64
7.5.AMENDMENT OF RESULTS	64
7.6.PUBLICATION	64
8. STEWARDS' ACTIONS, PROTESTS, AND APPEALS	67
8.1.TYPES OF JUDICIAL ACTIONS	67
8.1.1. Chief Steward's Action	67
8.1.2. Request for Action	67
8.1.3. Chief Steward's Action Against a Car	67
8.1.4. Compliance Review	67
8.1.5. Protests	67
8.2. HEARINGS AND JUDGEMENTS	67
8.3.PROTEST PROCEDURES	67
8.3.1. How to Protest	67
8.3.2. Reasonable Protests	68
8.3.3. Actions Against Cars	68
8.4.APPEALS	70
8.4.1. Right to Appeal	70

8.4.2.	Appointment and Jurisdiction	70
8.4.3.	Appeal Procedures	70
8.4.4.	Hearing Appeals	71
8.4.5	Judgment of the Court of Appeals	71
8.4.6.	Publication and Effect of Decision	71
8.4.7.	Bad Faith Appeals	71
8.4.8.	Appeals Affecting Final Points Standings	71
9.	CARS AND EQUIPMENT	73
9.1.	CATEGORIES AND CLASSES	73
9.1.1.	FORMULA CATEGORY CLASSES	73
9.1.2.	GRAND TOURING CATEGORY CLASSES	74
9.1.3.	IMPROVED TOURING CATEGORY CLASSES (Regional Classes)	74
9.1.4.	SUPER TOURING CATEGORY CLASSES	74
9.1.5.	PRODUCTION CATEGORY CLASSES	74
9.1.6.	SEDAN CATEGORY	74
9.1.7.	SPEC MIATA CLASS	74
9.1.8.	SPORTS RACING CATEGORY CLASSES	74
9.1.9.	TOURING CATEGORY CLASSES:	75
9.1.10.	B-SPEC CATEGORY CLASSES	75
9.1.11.	CARS RUN IN THE PROPER CLASS	75
9.1.12.	RUNOFFS-ELIGIBLE CLASS PARTICIPATION REQUIREMENTS	75
9.2.	VEHICLE DOCUMENTATION	75
9.2.1.	VEHICLE LOGBOOKS	75
9.2.2.	HOMOLOGATION REQUIREMENTS	76
9.3.	GENERAL TECHNICAL AND SAFETY Specifications	77
9.3.1.	ACCUMULATORS (e.g., Accusumps)	77
9.3.2.	ACTIVE SUSPENSIONS AND TRACTION CONTROL SYSTEMS	77
9.3.3.	ADVERTISEMENTS AND GRAPHICS	77
9.3.4.	AERODYNAMIC SKIRTS	77
9.3.5.	ALL-WHEEL DRIVE	77
9.3.6.	APPEARANCE NEAT AND CLEAN, AND SUITABLE FOR COMPETITION	77
9.3.7.	BALLAST	77
9.3.8.	BATTERIES	77
9.3.9.	BODY PANELS	77
9.3.10.	BRAKES	77
9.3.11.	CAMERA AND CAMERA MOUNTS	78
9.3.12.	CARBURETOR FUEL INLET FITTING	78
9.3.13.	COOL SUITS	78
9.3.14.	COOLANT CATCH TANKS	78
9.3.15.	CRYOGENIC TREATMENT	78
9.3.16.	DATA COLLECTION DEVICES	78
9.3.17.	DETACHABLE PANELS/SUNROOFS	78
9.3.18.	DRIVER'S RESTRAINT SYSTEM	78
9.3.19.	DRIVER'S SAFETY EQUIPMENT	81
9.3.20.	ELIGIBILITY	82
9.3.21.	EXHAUST SYSTEM	82
9.3.22.	FIRE SYSTEM	82
9.3.23.	FIREWALL AND FLOOR	83
9.3.24.	FORMULA CAR VISIBILITY	83
9.3.25.	FUEL	83
9.3.26.	FUEL CELL SPECIFICATIONS	86
9.3.27.	FUEL, OIL, AND WATER LINES	87
9.3.28.	HAND CONTROLS	87
9.3.29.	IDENTIFICATION MARKINGS	87
9.3.30.	INSIDE NET	89
9.3.31.	LEAKAGE AND CAPS	90
9.3.32.	LIGHTS	90
9.3.33.	LOSS OF BODYWORK	90
9.3.34.	MASTER SWITCH	90
9.3.35.	MIRRORS	91
9.3.36.	NON-METALLIC WHEEL/CHASSIS CONSTRUCTION	91
9.3.37.	OIL AND OIL ADDITIVES	91
9.3.38.	OIL CATCH TANKS, FILTERS, AND BREATHERS	91
9.3.39.	ROLL CAGE/ROLL BAR	92
9.3.40.	SCATTERSHIELDS/CHAIN GUARDS	92
9.3.41.	SEATS	92
9.3.42.	STEERING WHEEL LOCKS	92
9.3.43.	STEERING WHEELS	92
9.3.44.	SUSPENSION AND STEERING	92
9.3.45.	TIRES	92

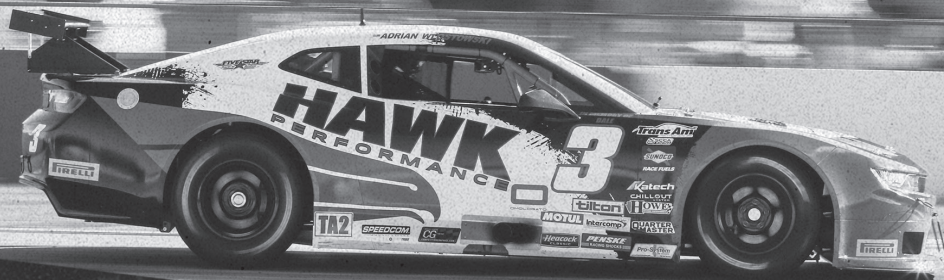
9.3.46.	TIRE	93
9.3.47.	TONNEAU AND BOOT COVERS	93
9.3.48.	TOWING EYES	93
9.3.49.	VENTILATION	93
9.3.50.	WEIGHT	93
9.3.51.	WHEEL FANS	93
9.3.52.	WHEEL RIM WIDTH	93
9.3.53.	WINDOWS	93
9.3.54.	WINDOW SAFETY NETS	93
9.3.55.	WINDSHIELDS/WINDSHIELD CLIPS/REAR WINDOW STRAPS	94
9.4.	ROLL CAGES FOR GT AND PRODUCTION BASED CARS	95
9.4.5.	ROLL CAGES FOR FORMULA CARS AND SPORTS RACING CARS	101
APPENDIX A. Administrative Glossary		107
APPENDIX B. Organizational and Administrative Procedures for Events		109
1.	Organizing Events	109
1.1.	Scheduling	109
1.1.1.	Divisional Scheduling Representative	109
1.1.2.	Scheduling Policies and Procedures	109
1.2.	Postponing or Cancelling Events	109
1.3.	Sanctioning Events	109
1.3.1.	Applying for an SCCA Sanction	109
1.3.2.	Sanction Requirements	110
1.3.3.	Sanctioning for Alternative Drivers' Schools	110
1.3.4.	Courses	110
1.3.4.1.	Types of SCCA Course Approval	110
1.3.4.2.	Application For An Event On An Unapproved Course	110
1.4.	Supplemental Regulations and Entry Forms	110
1.4.1.	Required Contents of Supplemental Regulations	110
1.4.2.	Combining Classes into Race Groups	111
1.4.3.	Additional Classes	111
1.4.4.	Multiple Types of Competitions on a Single Weekend	111
1.4.5.	Required Contents of Entry Forms	111
1.5.	Organizer's Additional Responsibilities	111
1.5.1.	Entry List	111
1.5.2.	Results	111
1.5.3.	Post-Event Reporting	112
1.6.	RACE EVENT FEES	112
2.	INSURANCE COVERAGES AND LIMITS	112
2.1.	Insurance Requirements	112
APPENDIX C. Licensing and Types		115
1.	OFFICIAL'S LICENSING AND TYPE	115
1.1.	Steward	115
1.2.	Licensing Requirements	115
1.3.	Licensing Minors	115
2.	COMPETITION LICENSES	115
2.1.	Medical Requirements	115
2.2.	Credit Towards License	115
2.3.	Competition Licensing Requirements	116
2.4.	Additional Licensing Information	116
2.5.	Licensing Minors	116
2.6.	14 and 15 Year-Old Novice Permits and Licensing	116
2.7.	Novice Permit	117
2.8.	Full Competition License	118
2.9.	Vintage License	119
2.10.	Renewal	119
2.11.	Applicants with Prior Racing Experience	119
2.12.	Online Drivers' School Tutorial	119
3.	NON-STANDARD LICENSE SITUATIONS	119
APPENDIX E. Oval Track Racing		123
APPENDIX F. Technical glossary		127
APPENDIX G. Facts, Formulas, and Measurement Standards		148
APPENDIX I. 2007 Roll Cage Rules		150

APPENDIX J. 2004 Production Category Roll Cage Rules	160
APPENDIX K. 2012 STO General Technical Regulations	162
APPENDIX L. 2013 TA2 Technical Regulations	174
APPENDIX M. SMG Technical Regulations	188
APPENDIX O. Small Regional Event Steward Model	194
APPENDIX P. Racing Room & Passing guidelines	196
Index	202
9.1.1. FORMULA CATEGORY	208
A. FORMULA ATLANTIC PREPARATION RULES	208
B. FORMULA CONTINENTAL / F PREPARATION RULES	220
C. FORMULA VEE PREPARATION RULES	247
D. FORMULA 600 PREPARATION RULES	259
F. FORMULA S Class (FS) (Regional Class Only):	269
H. FORMULA FIRST PREPARATION RULES	273
I. FORMULA ENTERPRISES (FE/FE2) PREPARATION RULES	283
J. FORMULA X PREPARATION RULES	291
9.1.2. GT1 Category Specifications	296
GT1 Approved Automobile List	307
GT1-ST	311
9.1.2.F. GT-2, 3, LITE Category Specifications	316
GT2 Cars	329
GT2/ST	343
GT3 Cars	350
GT3-TCR	364
9.1.2.G. GTA Category Specifications (Regional Only)	366
GTL Cars	376
9.1.2.H. GTX Category Specifications	391
GTX- FIA GT3	394
GTX- SRO GT4	394
GTX- TCR	395
GTX- MISC.	395
Table 4	396
9.1.3. Improved Touring Category	399
ITR	408
ITS	413
ITA	419
ITB	427
ITC	435
9.1.4. SUPER TOURING CATEGORY	442
9.1.4.1. STU Specific Technical Regulations	453
9.1.4.2. STL Specific Technical Regulations	464
9.1.5. PRODUCTION CATEGORY	472
EP	490
FP	506
HP	524

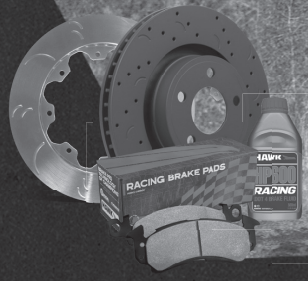
9.1.6. AMERICAN SEDAN CATEGORY	541
AS	560
9.1.7. SPEC MIATA CLASS	565
SM	578
9.1.8. SPORTS RACING CATEGORY	581
A. ASR CLASSIFICATION - (REGIONAL ONLY CLASS)	582
B. PROTOTYPE 1 (P1) CLASSIFICATION	586
C. PROTOTYPE 2 (p2) CLASSIFICATION	592
D. SPEC RACER FORD (SRF/SRF3)	606
E. SHELBY CAN-AM RACER CLASSED In ASR	619
F. OLDSMOBILE QUAD 4 CLASSED IN P2	623
G. ENTERPRISES SPORTS RACER PREPARATION RULES In P2	625
9.1.9.1 TOURING (T1) CATEGORY <i>NEW</i>	<i>632</i>
<i>T1 NEW</i>	<i>644</i>
9.1.9.1.A. TOURING (T1) <i>GT4</i> CATEGORY	651
<i>T1 GT4</i>	<i>653</i>
<i>Touring 1 - Homologated Cars</i>	<i>654</i>
9.1.9.2 TOURING (T2-T5) CATEGORY	656
T2	665
T3	677
T4	689
<i>T5</i>	<i>697</i>
9.1.10. B-SPEC CATEGORY	702
B-SPEC	707

systems high performance
brake

20-40% MORE
STOPPING
POWER FEELS
DIFFERENT.



BETTER.
LEGENDARY.



That's what Race Proven, Street Legal technology is all about. High performance brake products for your track car, daily driver, 4x4, truck and SUV. Turns out, 30 years of channeling our obsession with performance pays off.

Hawk Performance has developed premium friction products that stop you faster and last longer since 1995. race proven. street legal.

to create legendary stopping power.

R&D department includes a PhD in stoppage along with 30 years of experience.



Own a vehicle that thrills you?

Get coverage designed to protect your passion

Members of SCCA are eligible for a 5% discount on insurance through Hagerty*.

HAGERTY Let's Drive Together

INSURANCE DRIVERS CLUB MOTORSPORTREG SPEEDWAIVER RACEHERO

888-406-8484
[hagerty.com](https://www.hagerty.com)

*Discount applies to U.S. policies only; not available in CA, MA and TN. Policies underwritten by Essentia Insurance Company. Hagerty determines final risk acceptance. Membership by Hagerty Drivers Club (HDC), a non-insurance subsidiary of The Hagerty Group, LLC. Purchase of insurance not required for membership in HDC. Hagerty, Hagerty Drivers Club, SpeedWaiver & RaceHero are registered trademarks of the Hagerty Group LLC, ©2022 The Hagerty Group, LLC. All Rights Reserved

1. CONTROLLING COMPETITION

1.1. SCCA (SPORTS CAR CLUB OF AMERICA, INC.)

The SCCA is a not-for-profit organization, incorporated in the state of Connecticut, dedicated to owning, operating, and preserving sports cars; arranging and regulating sports car events and exhibitions; encouraging safe and sportsmanlike conduct on public highways; and developing technical information relevant to these purposes. ACCUS FIA has delegated the authority to sanction FIA listed events to the SCCA. The address of SCCA can be found in the front of this rule book.

In these General Competition Rules, SCCA is sometimes referred to as “the National Office”.

1.2. SCCA GENERAL COMPETITION RULES

SCCA has established these General Competition Rules (GCR) to govern all Road Racing events sanctioned by the SCCA. The GCR also includes the General Technical and Safety Specifications, and the Category Rules.

1.2.1. Replacing the GCR

Beginning January 1st each calendar year, the newest edition of the GCR takes effect and supersedes all prior editions. Rule revisions published in prior calendar year(s) must be included in the new edition of the GCR to remain effective. Court of Appeals decisions on technical specifications are effective for the calendar year during which they are rendered, and are superseded by the following year’s edition of the GCR.

1.2.2. Revising the GCR

A. The latest published electronic GCR version on the official SCCA website supersedes all prior GCR versions, FasTrack, Racing Memos, Member Advisories, or Tech Bulletins published in writing or on the official SCCA web site as of the first day of the month of publication.

1. If any day of a race event falls on the first day of the month, the previous month’s rules will be in effect for that event only. The new rules will become effective at the conclusion of the race event.

B. When a rule clarification or change must be implemented immediately, the Board of Directors will issue a memorandum stating the change and its effective date. These memoranda will be posted on the SCCA website and sent to all Executive Stewards and Divisional Administrators of Tech.

C. If preliminary performance estimates for a car initially classified or reclassified prove grossly inaccurate during its first year of classified or reclassified eligibility, the technical specifications may be changed on thirty days’ notice.

1.2.3. Interpreting and Applying the GCR

A. Interpreting the GCR shall not be strained or tortured and applying the GCR shall be logical, remembering that the GCR cannot specifically cover all possible situations. Words such as “shall” or “shall not”, “will” or “will not”, “can not”, “may not”, “are” or “must” are mandatory; and words such as “may” and “should” are permissive.

B. References in the GCR to the SCCA Operations Manual and the SCCA Insurance Manual are for informational purposes; these SCCA documents may not be protested or appealed.

C. Conflicts among or between portions of the GCR are handled as follows:

1. The Category Rules take precedence over the General Technical Specifications.

2. Specific class rules in the Category Section of the GCR shall take precedence over the general Category Rules and the General Technical Specifications.

3. Any item not addressed in the Category Rules is controlled by the General Technical Specifications. The specification line for a particular car takes precedence over the specific class rules, the general Category Rules and the General Technical Specifications.

D. The interpretation and application of the GCR by SCCA officials is final and binding. To promote the sport of automobile competition; to achieve prompt finality in competition results; and to recognize the numerous benefits to them, all members expressly agree that:

1. The intent of a specific rule will override a participant’s interpretation of a rule. The intent of a rule will be determined by the CRB. If any rule is unclear to the participant, the participant is advised to obtain written approval by submitting a compliance review request under GCR section 8.1.4 prior to making any modification.

2. SCCA officials’ determinations are non-litigable;

3. They will not initiate or maintain litigation of any kind against SCCA or anyone acting on behalf of SCCA to reverse or modify such determinations, or seek to recover damages or other relief allegedly incurred or required as a result of such determination; and

4. Any member who initiates or maintains litigation violating this provision agrees to reimburse SCCA for all costs of litigation, including travel expenses and attorneys’ fees.

E. All money amounts specified in the GCR are in US Dollars.

- F. The pronouns “he”, “his”, and “him” are generic and are not intended to indicate gender.
- G. All dimensions are in inches unless otherwise noted.

1.2.4. Submitting to the GCR

Any organizer who applies for a sanction to conduct an SCCA race event expressly agrees, and will acknowledge the following in writing if requested:

- A. Familiarity with the GCR.
- B. Unreserved agreement to any consequences of not complying with the GCR.
- C. Renunciation of any right to recourse, except with the written consent of the SCCA, to any arbitrator or tribunal not provided for in the GCR.

1.3. ASSUMPTION OF RISK

Road racing is a dangerous sport that can result in serious injury or death. Participation in all aspects of the sport is voluntary. The ultimate responsibility for participant and vehicle safety lies with the participant, vehicle owner, driver and crew members.

The participant also acknowledges that by participating in the event, the participant may suffer bodily injury or death, or loss or damage to property. The participant further acknowledges that the participant has voluntarily, assumed the risk of bodily injury or death or loss or damage to, property and waives any claims for bodily injury or death, or loss or damage to property against SCCA, its directors, officers, employees and agents, event officials, event sponsors, racetrack operators and other participants; discharges such persons and entities from responsibility for such losses; and covenants not to sue such persons and entities for bodily injury or death or loss or damage to property.

1.3.1. Release and Waiver of Liability, Assumption of Risk and Indemnity Agreement

All participants shall be required as a condition of participation to sign all required entry forms including but not limited to such releases as shall be required by SCCA and/or its insurers consisting of the following or similar wording. Whether or not the participant signs such releases, the participant agrees to the terms set forth below and participant is hereby put on notice of such terms and makes such agreement either by receiving this Rulebook or by participating in the sport, or both.

IN CONSIDERATION of being permitted to compete, or officiate, observe, work for, or participate in any way in SCCA OR SCCA PRO SANCTIONED EVENTS and/or being permitted to enter for any purpose any RESTRICTED AREA(S) (defined to be any area which requires special authorization, credentials, or permission to enter or any area to which admission by the general public is restricted or prohibited), I, for myself, my personal representatives, heirs, and next of kin:

1. Acknowledges, agrees, and represents that he has or will immediately upon entering any of such RESTRICTED AREAS, and will continuously thereafter, inspect the RESTRICTED AREAS which he enters, and he further agrees and warrants that, if at any time, he is in or about RESTRICTED AREAS and he feels anything to be unsafe, he will immediately advise the officials of such and if necessary will leave the RESTRICTED AREAS and/or refuse to participate further in the EVENT(S).

2. HEREBY RELEASES, WAIVES, DISCHARGES AND COVENANTS NOT TO SUE the promoters, participants, racing associations, sanctioning organizations or any subdivision thereof, track operators, track owners, officials, car owners, drivers, pit crews, rescue personnel, any persons in any RESTRICTED AREA, sponsors, advertisers, owners and lessees of premises used to conduct the EVENT(S), premises and event inspectors, surveyors, underwriters, consultants and others who give recommendations, directions, or instructions or engage in risk evaluation or loss control activities regarding the premises or EVENT(S) and each of them, their directors, officers, agents, employees, representatives, owners, members, affiliates, successors and assigns all for the purposes herein referred to as “Releasees,” FROM ALL LIABILITY TO THE UNDERSIGNED, his personal representatives, assigns, heirs, and next of kin FOR ANY AND ALL LOSS OR DAMAGE, AND ANY CLAIM OR DEMANDS THEREFOR ON ACCOUNT OF INJURY TO THE PERSON OR PROPERTY OR RESULTING IN DEATH OF THE UNDERSIGNED ARISING OUT OF OR RELATED TO THE EVENT(S), WHETHER CAUSED BY THE NEGLIGENCE OF THE RELEASEES OR OTHERWISE.

3. HEREBY AGREES TO INDEMNIFY AND SAVE AND HOLD HARMLESS the Releasees and each of them FROM ANY LOSS, LIABILITY, DAMAGE, OR COST they may incur arising out of or related to the UNDERSIGNED’S INJURY OR DEATH, WHETHER CAUSED BY THE NEGLIGENCE OF THE RELEASEES OR OTHERWISE.

4. HEREBY ASSUMES FULL RESPONSIBILITY FOR ANY RISK OF BODILY INJURY, DEATH OR PROPERTY DAMAGE arising out of or related to the EVENT(S) whether caused by the NEGLIGENCE OF RELEASEES or otherwise.

1. Controlling Competition

5. HEREBY acknowledges that THE ACTIVITIES OF THE EVENT(S) ARE VERY DANGEROUS and involve the risk of serious injury and/or death and/or property damage. Each of THE UNDERSIGNED, also expressly acknowledges that INJURIES RECEIVED MAY BE COMPOUNDED OR INCREASED BY NEGLIGENT RESCUE OPERATIONS OR PROCEDURES OF THE RELEASEES.

6. HEREBY agrees that this Release and Waiver of Liability, Assumption of Risk and Indemnity Agreement extends to all acts of negligence by the Releasees, INCLUDING NEGLIGENT RESCUE OPERATIONS and is intended to be as broad and inclusive as is permitted by the laws of the State or Province in which the Event(s) is/are conducted and that if any portion thereof is held invalid, it is agreed that the balance shall, notwithstanding, continue in full legal force and effect.

I HAVE READ THIS RELEASE AND WAIVER OF LIABILITY, ASSUMPTION OF RISK AND INDEMNITY AGREEMENT, UNDERSTAND ITS TERMS, UNDERSTAND THAT I HAVE GIVEN UP SUBSTANTIAL RIGHTS BY SIGNING IT, AND HAVE SIGNED IT FREELY AND VOLUNTARILY WITHOUT ANY INDUCEMENT, ASSURANCE OR GUARANTEE BEING MADE TO ME AND INTEND MY SIGNATURE TO BE A COMPLETE AND UNCONDITIONAL RELEASE OF ALL LIABILITY TO THE GREATEST EXTENT ALLOWED BY LAW.

1.4. MEDIA RIGHTS

The Entrant agrees to permit the Sports Car Club of America Inc., and their assigns (including but not limited to series sponsors, promoters/organizer of an Event), free of any charges duties or fees, to use, license, reproduce, have reproduced, show, have shown, without limitation in space or time, all soundtracks, photographs, drawings, trademarks, films/video pictures concerning competitors, their drivers, teams or cars involved in the event(s) on any medium whatsoever that is sourced by or under the authority of SCCA (excepting medium submitted by a participant as part of a formal protest or appeal procedure) for any documents, reports, coverage, broadcast, program, publication, video game or model production, software, etc. whether past, present or future. The Entrant further acknowledges and agrees that SCCA may freely assign or license its rights to a third party.

2. PARTICIPANT CONDUCT

Each participant shall conduct himself to the highest standards of behavior and sportsmanship. His actions shall not prejudice the reputation of the SCCA or the sport of automobile racing. Failure to comply may result in penalties as specified in Section 7; an official may, in addition, lose his assignment for that event.

2.1. BREACH OF THE RULES

Beyond any other offenses or violations of specific rules, each of the following is a breach of the GCR.

- 2.1.1. Bribing, or attempting to bribe, anyone connected with an event; soliciting, accepting, or offering to accept a bribe.
- 2.1.2. Acting to enable a person or car known to be ineligible, not properly entered, or credentialed to participate in an event.
- 2.1.3. Acting fraudulently or prejudicially to the interests of the SCCA or of the sport of automobile racing.
- 2.1.4. Driving recklessly or dangerously, anywhere on the track property.
- 2.1.5. Failing to obey a direction from an official.
- 2.1.6. Refusing to cooperate with, interfering with, or obstructing the actions of the Chief Steward, the Stewards of the Meeting (SOM), the Court of Appeals, or other review committees in the performance of their duties.
- 2.1.7. Acting in an unsportsmanlike manner.
- 2.1.8. Threatening or committing physical violence upon any other participant or spectator.
- 2.1.9. Possession of firearms is only permitted in compliance with federal and local ordinances and per facility rules and regulations. Firearms are not permitted in competition vehicles while on course.

2.2. ADDITIONAL PARTICIPANT RESPONSIBILITIES

2.2.1. Authorized Events

SCCA licensed drivers and officials may participate in any events except those specifically disapproved by the Club Racing Board (CRB) or the Executive Steward of the Division concerned.

2.2.2. Driver and Entrant Responsible for Crew

The driver and entrant are responsible for the conduct of their crew at all times during an event, including a crew member's violation of the GCR or the Supplemental Regulations. For the purpose of this section, an event begins when registration opens and ends when the driver, entrant, and all crew members from that team have left the track property at the conclusion of the event.

2.2.3. Waiver Signer Responsible for Minor

The parent (s) and/or guardian that has signed a minor waiver on behalf of a minor is fully responsible for that minor.

2.2.4. Official's Conflicts of Interest

- A. The Race Director or Chief Steward, Assistant Chief Stewards, and the SOM shall have no financial, employment or business interest; or significant personal relationship with the organizer or sponsor of an event. Being a member or holding an office in an SCCA Region is not considered a conflict of interest in the absence of any other evidence.
- B. A steward should not operate a session where a family member, co-worker, or a person with whom he has a significant business, financial, or personal relationship is an entrant or driver.
- C. An SOM shall not be involved in a hearing involving a family member, co-worker, or any person with whom he has a significant business, financial, or personal relationship.

2.2.5. Pets at the Track

The owner is fully responsible for actions of his pet(s), and for any liability arising from those actions. Unless a particular track has a stated policy to the contrary, a pet may be in the paddock, provided it is appropriately confined or on a leash. A pet on a leash must be controlled by an adult, and the leash may not exceed 10 feet in length. Pets are prohibited in the pits.

2.2.6. Unmanned Aircraft Systems

Subject to local venue rules and regulations and approval from the event organizer, unmanned Aircraft Vehicle ("UAV" or "Drone") operators/owners must have proof of FAA certification and \$10M of primary liability insurance naming SCCA and the Race Track as additional insureds. Recreational use of UAVs is prohibited.

2.3. IMPAIRMENT**2.3.1. Alcoholic Beverages, Narcotics, and Dangerous Drugs**

- A. No driver, entrant, or crew may consume alcohol until all practice, qualifying, or racing for his class is finished for the day. No official may consume alcohol until his duties have been completed for the day. Anyone who has consumed any alcohol on the day of an event, other than following the conclusion of his activities, shall not participate on that day, may be excluded from the balance of the event, and may be penalized as specified in Section 7. Alcohol may not be consumed in the pits until after all the day's on track activities are concluded.
- B. The use at an event by any participant of any Federal Schedule 1 controlled substance (including marijuana), or other drugs that affect the ability of the participant to safely participate in the event or may otherwise adversely affect the safety or integrity of the event is specifically prohibited. Certain prescription and non-prescription medicines may also impair performance so competent medical authority should be consulted prior to using such medicines and participating in the event. Any participant who violates this prohibition
- shall not seek to participate in the event
 - may be excluded from the event by the Race Director or Chief Steward or the Chief of an official's specialty
 - may be removed from the grounds by the order of the Race Director or Chief Steward
 - may be penalized as provided in Section 7.

As a condition of continued participation and/or retention of any SCCA license, the participant may be required to submit to such testing procedures that may be established by SCCA in its sole discretion. Failure or refusal to submit to such testing shall be deemed a violation of the above prohibitions. However, SCCA assumes no obligation or duty to establish such testing procedures and/or to test participants on a random basis or in a specific case.

2.3.2. Medical Fitness

Each participant is encouraged to have someone at the track maintain his medical information in case it may be needed by a medical treatment team.

A. Medical Fitness of a Driver**1. Responsibility of a Driver**

The driver and the driver's physician are responsible for determining if the driver is medically fit for participation. The required medical examination form is a tool and guide for the physician in deciding an applicant's fitness to participate.

2. Required Medical Examination

No driver shall participate in any event unless he has been examined by a physician within the period specified in App C.2.1.A., and has been approved by that physician for a competition license.

3. Changes in Medical Condition

When a driver experiences a change in their medical condition that could affect their fitness to participate they must:

- a. Notify the national office of the change in medical status.
- b. Discontinue participation until examined and approved by their physician.
- c. Submit a new completed and approved-for-competition medical form.
- d. If a driver seeks (or receives) medical attention during an event, that in the opinion of the event Medical Officer may compromise his on track driving ability, the Medical Officer shall notify the Safety Steward. The Safety Steward will inform the National Office in writing. Upon receipt the SCCA Licensing Department will contact the driver, reminding him of the obligations stipulated under GCR 2.3.2.A.3

Examples of medical conditions that may affect the ability to participate: pregnancy, cardiac or neurological problems, heart attack, heart surgery, stroke, loss of consciousness, seizures, major surgery or diagnosis of cancer.

4. Involvement in Accident at an Event

A driver must report to the event Medical Service as soon as possible whenever any of the following conditions is met:

1. He is involved in an incident where his car rolls over;
2. His car collides with a stationary object hard enough to cause structural damage to the car;

2. Participant Conduct

3. He is aware that he may have been injured in an incident;
4. He has been directed by an official to do so.

A driver transported to an off-site medical facility cannot continue to compete in that event without a medical release signed by the attending physician at the treating facility or the event Chief Medical Official.

B. Medical Fitness of Crew

Any known medical condition (including pregnancy) which could affect medical fitness to perform the duties of a crew member may prevent admission to the pits or any other hazardous area.

C. Medical Fitness of an Official

Any known medical condition (including pregnancy) which could affect the ability to perform some or all of the assigned specialty duties requires reassignment based on the recommendations of the person's physician. Some medical conditions (including pregnancy) may require reassignment to non-hazardous areas only.

D. Concussion & Loss of Consciousness

A participant who suffers a concussion, defined as a traumatic brain injury caused by a bump, blow or jolt to the head, or loss of consciousness, defined as lack of response to others or amnesia for the incident, shall be medically evaluated by the track physician or ER and is prohibited from participating in the remainder of the event weekend. If the driver is diagnosed as having a head injury or concussion, regardless of the level, the driver must have a follow up evaluation by a neurologist upon his/her return home. The driver must obtain the approval of the neurologist to resume racing and submit the approval to SCCA Member Services. The event Safety Steward shall notify SCCA Member Services of accidents resulting in the above. The protocol for evaluation is available from the event Safety Steward and the National Office.

2.4. DIVISIONAL ADMINISTRATOR, EXEC. STEWARD LICENSING AUTHORITY, MEMBER RIGHTS

2.4.1. Divisional Administrators and Executive Stewards manage licenses in their respective specialties for their Divisions. They may downgrade, refuse to upgrade, suspend, or not renew the license of any official for non- or under-participation, conduct violating the GCR, actions contrary to the best interests of the SCCA, or inability to perform satisfactorily at the current license grade.

2.4.2 Any official subject to a license action as described in Sections 2.4.1. may request a review of the license action.

A. Request:

1. Must be made to the official's Executive Steward in writing.
2. Must be made within ten days of the license action.

B. Review Management:

1. Non-steward Licenses - the member's Executive Steward.
2. Steward licenses - the Chairman of the Stewards' Program

C. Review Committee:

1. Will be established by the Executive Steward or the Chairman of the Stewards' Program according to Section 2.6.
2. Will be conducted in accordance with the Stewards' Manual guidelines.
3. May uphold, modify, or overturn the license action.

D. Appeal:

1. Parties have the right to appeal the decision of the Review Committee to the Court of Appeals, per Section 8.4.

2.5. EXECUTIVE STEWARD DRIVER AND OFFICIAL REVIEW

A Divisional Executive Steward may convene a Review Committee in compliance with Section 2.6 to review a driver or official's conduct, car legality, competition record, and/or other matters, including driver medical condition. The Review Committee may invoke penalties as specified in Section 7, suspend or change the grade of any license, and/or return a driver to an SCCA Drivers' School. The driver or official has the right to appeal the decision of the Review Committee to the Court of Appeals, as specified in Section 8.4.

2.6. REVIEW COMMITTEE MEMBERS CONFLICTS OF INTEREST

Members of review committees created under Sections 2.4. and 2.5. may not have any significant conflicts of interest or ties to any of the parties. Members will be subject to the restrictions of 2.2.4.C., and may not have any other significant conflicts of interest with any of the parties. Reviews will be conducted in accordance with the Stewards Manual guidelines.

2.7. CRB OFFICIAL REVIEW

The license of any official may be suspended by the Club Racing Board (CRB), if in their view his actions are contrary to the best interest of the SCCA. A license may be suspended for a period of time specified by the CRB, or it may be revoked permanently. License revocation by the CRB may be appealed to the SCCA Board of Directors.

NOTES:

3. EVENTS

3.1. TYPES OF SCCA RACE EVENTS

The SCCA sanctions various types of race events conducted in compliance with the GCR. SCCA race events are classified by the persons eligible to participate, the categories of cars eligible to compete, defined organizational requirements, and the awards offered.

3.1.1. U.S. Majors Tour Races

U.S. Majors Tour races are high-profile sprint races for drivers seeking an elevated level of competition. The Head of Road Racing oversees and is responsible for the U.S. Majors Tour; events are operated by host Regions, with assistance from the U.S. Majors Tour Staff in some cases. The U.S. Majors Tour is organized as series of events within six geographic units known as Conferences.

A. Types of U.S. Majors Tour Events

1. Conference Events

Points earned in Conference races in Runoffs-eligible classes will count toward Conference Championships (see 3.7.2), and qualification for the National Championship Runoffs (see 3.7.4). They may also count toward Divisional Championships (see 3.7.1).

There may be a non-Runoffs eligible component of an event.

Competitors will find information on the classes eligible and the structure for each event on the SCCA website and in the Supplemental Regulations.

2. Super Tour Events

Super Tour Events are specially-designated Conference Events that include additional enhancements. Points earned in Super Tour Events in Runoffs-eligible classes will count toward Conference Championships (see 3.7.2), the Super Tour Championship (see 3.7.3) and qualification for the National Championship Runoffs (see 3.7.4).

3. Festival

Entry invitations are limited to the particular class(es) specified in the Supplemental Regulations.

Points earned in Festival events do not count toward Conference Championships.

B. Driver Eligibility

Only drivers who hold an SCCA Full Competition License are eligible to enter.

C. Organizing Personnel

1. Head of Road Racing or their designate - oversees all aspects of the U.S. Majors Tour, including the appointment of personnel.

2. Race Director (RD)

a. Appointed by Head of Road Racing for all Super Tours. Appointed by local Executive Stewards for their respective Conference. Conference RD serves as Asst. RD for Super Tour events within that Conference.

b. The RD works with each Executive Steward and host Region to appoint the balance of the Stewards for each U.S. Majors Tour event.

c. The RD works with the event Stewards to conduct the event.

d. Only the RD in agreement with the Region's representative may modify the Supplemental Regulations, as permitted in 5.12.2, after the Sanction has been issued; he may act on these matters without filing a Request for Action with the SOM.

e. Administrative actions taken by the RD (including modifying the Schedule of Events and race groupings), are non-protetable; actions/penalties imposed by the RD for driving or compliance are protetable.

3. Series Administrator (SA)

a. Required for all Super Tours, optional for other Conference events.

b. The SA oversees series organization and administration of the U.S. Majors Tour series events for his Conference.

4. Series Chief Technical Inspector (SCTI)

a. Required for all Super Tours, optional for other Conference events.

b. The SCTI works with the CCC and event Technical Staff to provide consistent compliance checking across all the events in his Conference.

5. Series Timing Administrator

- a. Required for all Super Tours, optional for other Conference events.
 - b. The Series Timing Administrator works with the local Timing team to deliver enhanced timing functionality to events.
6. Series Public Relations Representative
- a. Required for all Super Tours, optional for other Conference events.
 - b. The Series PR Representative provides communication and public relations support for the event.
7. Series Clerk of the Course
- a. May be designated for Super Tours, optional for other Conference events.
 - b. The Clerk of the Course is an Operating Steward that works in Race Control with local stewards to provide consistency in race operations.
8. One or more SCCA Regions may organize a U.S. Majors Tour event. The region or group hosting a Super Tour event will enter into a written agreement with the National Office that details the responsibilities of both parties.
- D. Event Format / Schedule
1. Conference Events
- a. The National Office has developed standard formats for each type of U.S. Majors Tour event.
 - b. There shall be a maximum of two (2) races per race weekend. At least one race for each race group will be a minimum of 45 miles. The other race of the weekend shall be a minimum of 20 minutes in length.
 - c. Minimum track time
 1. Two-day events shall have a minimum of 35 minutes of non-racing track time available per Majors class entry. Two qualifying sessions are recommended.
 2. Three-day events shall have a minimum of **50** minutes of non-racing track time available per Majors class entry. Two qualifying sessions are recommended. *End-of-session hardship policy is recommended.*
2. Super Tour Events
- a. The National Office has developed standard formats for each type of U.S. Majors Tour event, and works with Regions to create a specific schedule, which must be approved by the Head of Road Racing, who has final authority.
 - b. There shall be a maximum of two (2) races per race weekend. At least one race for each race group will be 35 minutes in length with a maximum of 50 miles (variations may be approved by the head of Road Racing and published in the supplemental regulations). The other race of the weekend shall be a minimum of 25 minutes in length.
 - c. Minimum track time
 1. Two-day events shall have a minimum of two (2) qualifying sessions totaling at least 35 minutes of non-racing track time available per Majors class entry.
 2. Three-day events shall have a minimum of two (2) qualifying sessions totaling at least **50** minutes of non-racing track time available per Majors class entry. Two qualifying sessions are recommended. *End-of-session hardship policy is recommended.*
 3. The schedule must show start times for all sessions, however, it is understood that actual start times will vary based on on-track situations and forces of nature. Minor running adjustments to the schedule do not require Requests for Action to the SOM.
 4. All U.S. Majors Tour events are open to the public. Host Regions and the National Office jointly promote U.S. Majors Tour events.
- E. Classes to be included in U.S. Majors Tour events:
1. All *Majors*-eligible classes will be included in Conference and Super Tour events.
 2. *Regional classes may be included in Majors run groups at Conference Majors events only. See also 3.1.1.F.2.b.*
- F. Additional Majors Requirements:
1. Conference preferred numbers will be administered by the National Office and shall be honored at

3. Events

all Majors events until 14 days prior to the event. If two drivers holding the same preferred number request that number for the same run group, the number will be assigned to the driver with the earliest request.

2. For the purposes of Conference points keeping, timing and scoring shall supply an Orbits database backup file (Orbits 4 preferred) to the SCCA National office (see front of book for email address) within three business days of the event to tabulate series points. Any revisions not included in that file shall be communicated with the submission.
 - a. All drivers listed on the final race results shall be consistent with the numbers included in the event audit.
 - b. When non-Runoffs eligible classes are included in Runoffs-eligible groups at Majors Conference events, the non-Runoffs eligible entries are treated as Majors entries and are subject to the same event audit fees and must meet the driver eligibility requirement in GCR 3.1.1.B.

3.1.2. Regional and Endurance Races

The requirements for Regional and Endurance races are given below and in the referenced appendices. Some Regional races may be designated as Division Championship points races.

- A. Regional Race: All sprint races (a competition that is limited to a single driver in a car), except U.S. Majors Tour events, are designated as Regional races.
- B. Endurance Race: A competition that allows multiple drivers in the same car, is meant to test the durability of equipment, endurance of participants, and will include a minimum of one mandatory pit stop.
- C. Regional and Endurance races are ordinarily open to the following competitors:
 1. Drivers holding SCCA Full Competition Licenses, SCCA Pro Licenses, SCCA Vintage Licenses, and those holding SCCA Novice Permits (AppC.2.7.F).
 2. Canadian Residents holding current ASN National Licenses, are 21 or years of age or older, and are members of SCCA.
 3. SCCA members holding competition licenses issued by SCCA-approved organizations. The event Supplemental Regulations must list the particular organizations and licenses not eligible for a specific race or else exclude the entire group of organizations and licenses by reference to this section. Minors possessing competition licenses issued by SCCA approved organizations must also complete the minor competition license requirements found in AppC.2.5. If a driver is currently listed on the SCCA Suspension List, then they may not use any other sanctioning body's competition license to participate in an SCCA event.

The organizations whose licenses are currently approved by SCCA for competition in Regional events are listed in AppC.

Please direct any questions about licenses to the Road Racing department in the National Office.

Section 9.1 identifies the classes of cars eligible to compete in Regional and Endurance races.

3.1.3. Drivers' Schools

Drivers' Schools provide instruction in safe and sportsmanlike wheel to wheel competition. They shall be conducted according to the GCR and under the following conditions:

- A. The entered cars will be divided into at least open and closed wheel groups, which will run separately from one another. Sports Racing cars may be grouped with Formula cars. (See AppB.1.4.2.)
- B. Only students undergoing instruction and their instructors may participate on track. However, a driver holding an SCCA competition license or a license from any organization listed in AppC.2.8.B may be admitted as a student at the discretion of the Chief Steward.
- C. Alternative Drivers' Schools may be offered to permit novice drivers with prior racing, Time Trials, Solo and coaching experience to complete their school requirements. An alternative school may be used as credit for a single school completion See AppC.2.7.E.3. for the details of Alternative Drivers' Schools.

3.1.4. Vintage/Historic Races

Vintage/Historic races may be included on SCCA programs under the following conditions:

- A. The Vintage/Historic segment is provided for in the sanction and Supplemental Regulations.
 1. Vintage/Historic events are run under the 13/13 rule.
 - a. At a minimum any participant being found at fault in an accident will be put on a probation for a recommended 13 months. Any participant being found at fault in an accident while on probation will be excluded from further participation and suspended from competition for 13 months.

- B. Each driver is an SCCA member holding an SCCA Full Competition License, SCCA Pro License, Vintage License or an SCCA Novice Permit as provided in AppC.2.7.D. and F., or an SCCA approved license.

The following organizations' licenses are currently approved by SCCA for competition in Vintage/Historic events:

1. Classic Sports Racing Group (CSRG)
2. Historic Sportscar Racing (HSR)
3. Society of Vintage Racing Enthusiasts (SOVREN)
4. Sportscar Vintage Racing Association (SVRA)
5. Vintage Auto Racing Association (VARA)
6. Vintage Motorsports Council (VMC) and VMC member organizations. A list of organizations can be found here: <http://the-vmc.com/>.
7. Vintage Driver's Club of America (VDCA)

Please direct any questions about licenses to the Road Racing department in the National Office.

- C. All Vintage cars must conform to Appendix Z of the SCCA Vintage Competition Rulebook (VCR), publication #5684 dated March 2005. Roll cages as defined in Appendix Z of the current VCR are required in all production cars considered model year 1973 or later. There is no requirement for cars from model year 1972 or earlier to have roll cages; however, members are encouraged to install roll cages in such cars where satisfactory installation can be achieved. At a minimum, roll bars are required for production cars from model year 1972 or earlier. Where allowed, roll bars must conform to Appendix Z of the current VCR.

Driver restraint systems must meet current GCR requirements. Driver window safety net or arm restraints are required in closed cars. Open cars require arm restraints.

- D. Vintage/Historic cars shall not be allowed to be grouped with any other SCCA racing classes in SCCA Regional and U.S. Majors Tour events (except in a Driver's School).
- E. Vintage/Historic sanctioned race groups may include non-vintage classes.

3.1.5. SCCA Test Days

SCCA Test Days are non-competition track days scheduled, sanctioned, and insured under standards included in AppB. SCCA Test Days are conducted according to the GCR. This does not apply to track-run test days. In addition, the following standards apply:

- A. Each driver is an SCCA member holding an SCCA Full Competition License, SCCA Pro License, Vintage License or an SCCA Novice Permit showing Drivers' School requirements signed off as provided in AppC.2.7.D and F, or an SCCA approved license. A Novice Permit holder who is participating in an Alternative Drivers' School may participate in SCCA Test Days in accordance with the provisions of AppC.2.7.E.3.
- B. 9.1 identifies the classes of cars eligible to compete in SCCA Test Days.
- C. Officials meet the requirements of 5.1.3.
- D. At a minimum, a Race Director or Chief Steward and Assistant Chief Steward – Safety are required.
- E. Unless required by the track, or local authorities or ordinances, Sound Control is not in effect.
- F. Staffing and equipment meet the requirements of 5.4. and 5.5.
- G. Formula cars may be combined with Sports Racing cars, but may not be combined with other categories.
- H. A maximum of 25 cars per mile may be on the course simultaneously, with no exception.

3.2. SCHEDULING RACE EVENTS

SCCA race date/event scheduling, postponement and cancellation policies and procedures are found in AppB.1.1.

3.3. SANCTIONING RACE EVENTS

A sanction is the documentary approval granted by SCCA Road Racing to organize and conduct an SCCA race event. The relevant policies and procedures are found in AppB.1.3.

3.4. SUPPLEMENTAL REGULATIONS AND ENTRY FORMS

The requirements for Supplemental Regulations and Entry Forms are found in AppB.1.4.

3.4.1. Changing U.S. Majors Tour Supplemental Regulations

The Race Director may change the Supplemental Regulations of a U.S. Majors Tour event as permitted in 5.12.2. in agreement with the event organizers prior to making changes and promptly inform the Chairman

3. Events

SOM of all changes.

3.4.2. Changing Regional Race Supplemental Regulations

All non-clerical errors and omissions changes to the Supplemental Regulations and event schedule must be approved by the SOM. Prior to the start of the event, the Chief Steward may make clerical errors and omissions changes to the schedule and/or class groupings and related information (for example, the omission of a class or a reference to the rules for a regional class). Except for modifications to the schedule and/or class groupings, no changes may be made to the Supplemental Regulations after the pre-entry period is open unless either there is unanimous agreement by all affected competitors who have already entered, or the SOM determine changes are necessary for reasons of safety or forces beyond their control.

3.5. INSURANCE

SCCA race/event insurance policies, procedures, and coverages are found in Appendix B.2. on the SCCA website.

3.5.1. Waivers

- a. All participants must be properly credentialed for the event. Each adult participant must also either sign the SCCA waiver at the event or have an SCCA annual waiver on file at the National Office and present his hard card it at registration. ~~Each minor participant must also have the event minor waiver signed by one or both parents. If the Minor, between the ages of 14 and the age of majority as determined by the law in the state of the individual's residence (typically 18 years old, varies by state), requires requiring hazardous area credentials they must have an executed annual minor waiver on file at the National Office and present his hard card at registration.~~
- b. A PARTICIPANT is one who has been permitted to compete, officiate, observe, work for, or participate in any way at an SCCA sanctioned event AND/OR being permitted to enter, for any purpose, any restricted area.

3.6. AWARDS

Drivers compete primarily for points and trophies in SCCA events, although financial awards may also be offered.

3.6.1. Distributing Awards

Organizers must have event awards for each race available to distribute as soon as Official Results are determined, or after the period for receiving protests has elapsed so placing drivers can take their trophies with them. Awards will not be distributed until after any protest affecting their distribution has been settled. If notified of an intent to appeal any decision which would affect awards, the SOM will direct that the distribution be held pending Court of Appeals decision.

3.6.2. Trophies

U.S. Majors Tour event trophies will be awarded on the following minimum basis for each participating class:

Number of Starters	Trophies Awarded for Finishing Position
2	1 st place only
3	1 st and 2 nd
4	1 st , 2 nd , and 3 rd

3.6.3. Prize Money

The SCCA may require as a condition of an event sanction that any prize money be deposited in escrow a satisfactory period of time prior to the start of the event, and also that the SCCA controls the distribution of the prize money.

3.6.4. Refuse Awards

A driver may refuse all event/series awards by notifying the Race Director or Chief Steward before his race. He must meet all other GCR requirements, including impound. He may earn a lap record and, provided he finishes, he may receive license credit for the race.

3.7 CHAMPIONSHIPS

3.7.1. Division Championships

Each Division will conduct an SCCA approved championship program for Runoffs invitations. The program must be submitted for approval to the Head of Road Racing or his designate by December 1st each year. Division Championship rules will be posted on the SCCA website.

3.7.2. Conference Championships

Each Conference will award Championships for each Runoffs-eligible class based on points earned in U.S. Majors Tour Conference and Super Tour races. A competitor may enter events in one or more Conferences, but points only accrue within the Conference in which the event is held. If a single event is designated for multiple Conferences, points are scored in each Conference. The minimum number of U.S. Majors Tour races per Conference is 10 and the total may vary; a driver shall count the best 8 finishes in a conference for the class championship. Point standings are maintained by the SCCA National Office and posted at www.scca.

com.

A. Dead Heat Race Finish

When there is a dead heat in a race finishing position, the total points for the positions tied are added up and divided equally between or among the tied drivers. Points then continue starting with the next untied position.

B. Race Points Awarded Only to One Driver

Points are awarded to one driver per car for each race. When more than one driver competes in the same car in the same race, neither is awarded points.

C. Championship Ties

Ties in final Championship standings are resolved based on the drivers' records of first place finishes, then second place, then third and so on, as needed; including any finishes beyond the drivers' best 8. If two or more drivers have identical records, they are tied for the position in the standings.

D. Points are awarded to the top 20 finishers (as defined in 6.10.3) in each race as follows: 25, 21, 18, 17, 16, 15, 14, 13, 12, 11, 10, 9, 8, 7, 6, 5, 4, 3, 2, 1.

3.7.3 Super Tour Championship

Super Tour Championship Point Standings will be compiled for Super Tour event participants in each Runoffs-eligible class. A driver's best six points races in the same class count in the Super Tour Championship, regardless of the Conference in which the points were earned. Additionally, the National Championship Runoffs (in the same class) will count as a seventh scored race. Ties will be broken initially by Runoffs finishing position and then by 3.7.3.C, if needed.

A. Dead Heat Race Finish

When there is a dead heat in a race finishing position, the total points for the positions tied are added up and divided equally between or among the tied drivers. Points then continue starting with the next untied position.

B. Race Points Awarded Only to One Driver

Points are awarded to one driver per car for each race. When more than one driver competes in the same car in the same race group, neither is awarded points.

C. Championship Ties

Ties in final Championship standings are resolved based on the drivers' finishing position at that year's Runoffs. If tied drivers do not participate at the Runoffs, ties will be resolved by records of first place finishes, then second place, then third, and so on as needed; including any finishes beyond the drivers' best six (6). If two or more drivers have identical records, they are tied for the position in the standings.

D. Points are awarded to the top 20 starters that have completed half of the laps of the overall race winner in each race as follows: 25, 21, 18, 17, 16, 15, 14, 13, 12, 11, 10, 9, 8, 7, 6, 5, 4, 3, 2, 1.

3.7.4. SCCA Runoffs

SCCA schedules and conducts an event each year called the SCCA Runoffs, open to all U.S. Majors Tour participants and Division Championship participants who meet the invitation qualifications. A competitor must qualify in the same class(es) in which he is entering the Runoffs, though he may compete in any car eligible for the class(es).

The SCCA Runoffs determine the SCCA National Champion in each eligible class.

SCCA publishes the Supplemental Regulations defining driver and car eligibility and other event details.

A. Invitations to the SCCA Runoffs

Three distinct paths exist for qualifying for a Runoffs invitation. Invitations are issued to all drivers in invited Runoffs-eligible class based on the following minimum qualifications:

1. U.S. Majors Tour Super Tour and/or Conference Events

A competitor must meet participation requirements.

a. Participation Requirements

Participate on track in a minimum of three (3) separate U.S. Major Super Tour and/or Conference event weekends and have a minimum of three (3) individual race finishes, all in the same class. Events may be a part of any Conference.

A driver may substitute two (2) Regional-sanctioned weekends for one (1) of his three (3) Majors weekend participation requirements. Eligible Regional weekends shall occur between the conclusion of the previous Runoffs and a date not less than two (2) weeks prior to the start

of the Runoffs or as otherwise specified in the Runoffs supplemental regulations. Endurance races are not eligible.

Drivers in the following classes may replace participation in up to two (2) Majors weekends with SCCA Pro Racing weekends in the corresponding class. Drivers who substitute one (1) Majors weekend with an SCCA Pro Racing weekend must have three (3) Majors/Super Tour race finishes. Drivers who substitute two (2) Majors weekends with two (2) SCCA Pro Racing weekends must have two (2) Majors/Super Tour race finishes. Eligible Pro weekends shall occur between January 1st of that year and a date not less than two (2) weeks prior to the start of the Runoffs or as otherwise specified in the Runoffs supplemental regulations. Drivers choosing the SCCA Pro Racing Path must purchase substitute Majors entries through the Member Account Portal of SCCA.com for the number of substitute Majors event weekends (either 1 or 2) by September 12, 2023. SCCA will collect and distribute the fees to the SCCA Regions.

GT1- TA

GT2- TA2 or TA-SGT

T1 - TA-SGT or TA-GT

T2 - TA-GT

FA – FRA, Atlantic (FRP), F1000 (FRP)

FC – F2000 (FRP)

FF – F1600 (FRP)

This replaces participation but not the Majors finish or points requirements.

b. Performance Requirements

A competitor must meet one of the following:

1. Finish in the top 10 of a Conference's point standings in class, or, in classes with more than 20 participants, finish in the top 50 percent.
2. Finish in the top 50 percent of the Super Tour point standings following the last Super Tour/Majors race.

Example: If 100 drivers participate in a class within a Conference or the Super Tour in the current race season, the top 50, who score any points, will receive an invitation.

2. Division Championship Events

There are both participation and performance requirements to qualify for the Runoffs through the Division Championships qualification path (if available):

- a. Participation Requirement: A competitor must participate on track in a minimum of four of a single Division's event weekends in the same class. All events occurring between the conclusion of the previous Runoffs and two (2) weeks prior to the start of the current Runoffs held in a single division count toward the participation requirement of four (4) regional/*divisional* event weekends regardless of whether they are a divisional championship points race.
- b. Performance Requirement: Each Division will determine the events that count as points races in their Divisional Championship point standings. A competitor must finish in the top three positions in his class point standings, except SM and SRF3 where the top five will be invited. Drivers that have qualified through the Majors path or are the Defending National Champion in the class, will not be removed from the Division point standings. Drivers qualifying outside of the Top 3 (or Top 5 for SM and SRF3) will not move up.
- c. Invitations will be extended to competitors meeting the requirements at a period of time two weeks prior to the start of the Runoffs event. This allows Divisions to run programs year-round, if desired.
- d. In addition to the Top 3 (Top 5 SRF3/SM) Divisional points earners nationwide, SCCA BoD will allow drivers in the top 50% in the Northeast and Southeast Divisions for 2023 to be eligible for Runoffs invitations on a space available basis.

3. Defending Runoffs Race Winner

In addition, a current defending Runoffs race winner, who has not met the Runoffs invitation requirements in 3.7.4.A.1 or 2, may be accepted as an entrant even if he did not meet the participation requirements of 3.7.4.A.1 or 2.

- a. The entry will not be included in the total count of Runoffs invitations.

- b. He may compete only in the class(es) being defended, though he may compete in any car eligible for the class(es).
- c. He will not bump anyone from the field who was invited based on the qualifications in 3.7.4.A.1 or 2.
- d. A driver may not invoke the provisions of this section in two consecutive years in the same class, even if he repeats as a Runoffs race winner.

4. Additional Requirements

The driver must hold a current SCCA Full Competition License.

B. Refusal Of Entry

A competitor whose entry has been refused for the SCCA Runoffs may protest and appeal only the refusal of his entry, and he may protest up to 15 days before the start of the event. (See 4.4.6.)

C. Invited Runoffs Classes

All classes with a combined two-year event average of at least 4.0 participants in Majors and Runoffs competition will automatically be invited to the following year's Runoffs. Classes not meeting that criteria may be invited as the event format and venue permits. The Road Racing department, in consultation with the Club Racing Board, will determine and announce by January 1 the Runoffs-eligible classes invited to the next Runoffs consistent with the event format and venue. For example: If the two-year period includes 68 Majors weekends and two Runoffs, for a total of 70 events, a class would need at least 280 participants over that period to average 4.0 per event.

1. A Runoffs-eligible class with a minimum of 10 qualified drivers entered who have participated in at least one on track session at the current year's Runoffs will name a National Champion.
2. A Runoffs-eligible class with a minimum of 3 race starters and fewer than 10 qualified drivers entered who have participated in at least one on track session at the current year's Runoffs will name a National Champion but subsequently be on probation for the following year's Runoffs. Should a class on probation at the Runoffs fail to have a minimum of 10 qualified drivers enter and participate in at least one on-track session the year it is on probation, that class may run as a supplemental class but will not name a National Champion. A Runoffs-eligible class that does not have a minimum of 3 race starters, regardless of probation status, will run as a supplemental class but will not name a National Champion.
3. Classes may be combined as needed to limit the number of race groups with a preference for combining no more than 2 classes for any race.

4. PARTICIPANT LICENSING, EVENT CREDENTIALS & ENTRIES

4.1. SCCA RESERVATIONS OF RIGHTS

SCCA is a private, not for profit organization, and it reserves the right to deny any license, or to revoke any previously issued license, for any reason or no reason, except that SCCA will not deny or revoke a license solely on the basis of race, creed, color, sex, or national origin.

4.2. SUBMITTING TO THE GCR

Anyone who applies for an SCCA license expressly agrees, and will acknowledge the following in writing if requested:

- A. Familiarity with the GCR;
- B. Agreement without reservations to any consequences of *not* complying with the GCR;
- C. Renunciation of any right to recourse, except with the written consent of the SCCA, to any arbitrator or tribunal not provided for in the GCR.

4.3. PARTICIPANT LICENSES

4.3.1. SCCA Licenses

SCCA issues Competition and Officials' Licenses based on qualifications and experience. Information and procedures about Competition and Official's licensing and grades are found in Appendix C. Any individual may be a Crew member. Crew must be SCCA members to gain access to the pit lane and other hazardous areas. (See 4.5.3.)

4.3.2. SCCA Membership

SCCA licenses are issued only to SCCA members in good standing. The types of membership are found in the SCCA Operations Manual.

4.3.3. Expiring License and Membership

All licenses show the month and year of expiration, which coincides with the individual's SCCA membership anniversary date. Any participant who is properly registered for an event may participate for its duration even if his membership and license expire while the event is in progress.

4.3.4. Processing a Membership and License

A participant registered for an event must have his current membership and license in his possession. His license must be the proper level for the type of event and activity. All entrants must be members of the SCCA and they are subject to all provisions of the GCR. (Refer to 7.2.1.)

4.3.5. Presenting a License

When requested, any official, driver, entrant (if Entrant Licenses are required), or crew must show his license to an official.

4.3.6. Required Membership and License

Only licensed members may be in hazardous areas. Non-members may only be where the hazards do not exceed those to the general public. The exception is that employees of services hired by the organizer or the track who enter restricted areas to fulfill their job responsibilities (such as ambulance, wrecker, and fire crews) are not required, but are recommended, to be SCCA members. For the purpose of determining a hazardous area, the definition "outside the protection of a positive barrier" is used.

4.3.7. Karting License

Divisional licensing administrators may consider karting experience toward a full competition license. Organizations with robust licensing processes (ie. SKUSA) will be considered for automatic issuance of a full competition license. Ease of entry via this path will be promoted within SCCA and to karting groups through all available communication resources.

4.4. RACE ENTRIES

An entry submitted and accepted according to the GCR and event Supplemental Regulations is an agreement to participate in that event. Provided the entrant or driver has made every effort to participate, the organizers will adhere to their published refund policy. Failure by any party to adhere to the entry agreement may be treated as a breach of the GCR.

4.4.1. Entering an Event

An entry is considered official and a competitor is considered entered in an event under the following conditions:

- A. The competitor is in good standing and his competition privileges have not been suspended.
- B. An official event Entry Form has been completed, signed (or if an electronic entry, the approved Road Racing consent box is checked), submitted to and received by the organizers.
- C. The entry fee has been submitted to and received by the organizers.
- D. All monies due the SCCA have been submitted and paid.

4.4.2. Entering Multiple Classes

An entrant or driver who enters more than one class under a single sanction number must submit separate entry forms and fees for each class. If both classes are in the same run group, a separate entry for each class and unique car # is required. Note: A car may only compete (earn points) in one class per race and must use the number associated with the unique entry for that class in that race.

4.4.3. Withdrawing an Entry

If an entry is withdrawn prior to the entry deadline, there is no penalty, and the organizers will return the entry fee. If the entry is withdrawn after the entry deadline, the organizers may return all or part of the entry fee. An entrant or driver may be found in violation of the GCR if he is officially entered in one event but participates in a different competition held on the same day.

4.4.4. Falsifying an Entry

An entry containing a false or incorrect statement may be determined null and void by the SOM or other reviewing group. The entrant or driver may be found in violation of the GCR, the entry fee may be forfeited, and additional penalties imposed.

4.4.5. Racing Under an Assumed Name

Unless the Road Racing Department authorizes a driver to use an assumed name, he must sign all official documents with his legal name for all events requiring an SCCA Competition License.

4.4.6. Refusing an Entry

Even if an entry meets all the requirements outlined in 4.4.1., above, the organizers have the right to refuse an entry without giving a reason. If an entry is refused, notification must be sent to the entrant or driver at the address on the Entry Form as soon as possible, and normally at least 5 days before the event.

4.5. EVENT CREDENTIALS**4.5.1. Waivers**

Anyone participating in an event must sign the SCCA Release and Waiver of Liability Agreement (unless an annual waiver is on file at SCCA National Office) before an event credential (pass) will be issued.

4.5.2. Photo ID

- A. One of the accepted forms of Photo ID is required for any registered event participant who is an SCCA licensed member.
 1. An SCCA-issued photo ID (hard card or electronic form) issued by the SCCA National Office, SCCA Pro Racing or an SCCA Region.
 2. A Government issued photo ID (Driver's License, State Identification Card, U.S. Military ID, or Passport) with verification of current SCCA license and membership. The credential for the event must be clearly visible.
- B. Identification cards from any other organization will not be accepted.
- C. A non-member or weekend member will be issued a paper pass or a wristband.

4.5.3. Hazardous Area Credentials

SCCA members who are 18 and older may be issued credentials allowing them access to hazardous areas.

SCCA members 14 years to the age of majority as determined by the law in the state of the individual's residence (typically 18 years old, but it may vary) who have a completed Annual Parental Consent, Release and Waiver of Liability, Assumption of Risk and Indemnity Agreement, and a completed Minor's Assumption of Risk Acknowledgement on file in the SCCA National Office may be issued credentials allowing them access to hazardous areas. Minor waiver will appear as a license on their membership/license card. (See AppC.1.4., AppC.2.5.) Otherwise, they may not enter any area where the hazards exceed those of the general public.

4.5.4. Non-Hazardous Area Credentials

Non-member participants may be issued credentials which do not allow them access to hazardous areas.

Guests of the organizer or spectators may be issued credentials or tickets which do not allow them access to hazardous areas.

NOTES:

5. OFFICIALS, THEIR DUTIES, OPERATING PROCEDURES, AND EQUIPMENT

5.1. PRINCIPAL OFFICIALS

The principal officials, who direct the event, may include the following:

- Race Chairman
- Chief Course Marshal
- Chief of Emergency Services
- Chief of Flagging
- Chief of Communications
- Chief Registrar
- Chief of Sound Control
- Chief Starter
- Chief Technical Inspector
- Chief of Timing and Scoring
- Chief Observer
- Chief of Pit
- Chief of Grid
- Chief of Race Administration
- Judges
- Stewards of the Meeting (SOM)
- U.S. Majors Race Director
- Chief Steward
- Assistant Chief Steward–Safety (ACS – Safety)

Except for the SOM, these officials may have assistants to whom any of their duties may be delegated.

5.1.1. Required Stewards

At a minimum, there shall be a Race Director or Chief Steward, an ACS – Safety, and at least 2 SOM (including a Chairman and one other licensed steward unless the Alternate SOM Model (5.12.1.C.) is used).

5.1.2. Appointment

A. Runoffs

The SCCA will appoint all Runoffs officials.

B. U.S. Majors Tour

The SCCA will appoint for each Super Tour, a Series Administrator, and, upon consultation with the Chairman of the Stewards Program, a Race Director and a Series Chief Tech Inspector. All other event stewards shall be appointed by the Executive Steward for the event's Division, with input from the Race Director. The local Executive Stewards may appoint a Race Director for each U.S. Majors Tour Event in their conference. The organizer conducting the event appoints all other officials, subject to approval by the Executive Steward, U.S. Majors Tour Race Director and the Chief Steward at each event in their Super Tour. At U.S. Majors Tour events, where there is a Race Director and a Chief Steward, the Race Director has final authority over the event. The Race Director must still adhere to the responsibilities stated in 3.1.1.C.2 and 5.12.2.

C. SCCA Regional Events

The Division's Executive Steward appoints all event Stewards. The organizer conducting the event appoints all other officials, subject to approval by the Executive Steward.

5.1.3. Minimum Grades of Licenses

For the following events, these minimum licenses are mandatory:

Stewards	U.S. Majors Tour	Regional	Drivers' School
Chief	National*	Divisional	National
Chairman of the SOM	National	Divisional	Divisional
*Appointed by SCCA upon consultation with the Chairman of the Steward's program			

Chiefs of Specialty	U.S. Majors Tour	Regional	Drivers' School
Emergency Services	National	Divisional	National
Flagging and Comm	National	Divisional	National
Grid Marshal	National	Divisional	National
Pit Marshal	National	Divisional	National
Registrar	National	Divisional	National
Starter	National	Divisional	National
Technical Inspector	National	Divisional	National
Timing and Scoring	National	Divisional	Divisional
Sound Control	Divisional	Divisional	Divisional

5.1.4. Right to Oversight

The SCCA reserves the right to designate a qualified person to evaluate any competition.

5.1.5. Plurality of Duties

Except for the Race Director, the Chief Steward and the Chairman SOM, the same person may hold more than one official position at an event.

5.1.6. Separation of Duties

An official may not perform duties not clearly attached to his appointment(s).

5.2. RACE CHAIRMAN**5.2.1 U.S. Majors Tour Event Chairman Responsibilities**

The Race Chairman organizes the event in conjunction with the Conference Series Administrator in accordance with the event agreement between SCCA and the organizing region.

5.2.2. Regional Event Race Chairman Responsibilities

The Race Chairman organizes an event. Specifically, he will:

- A. With the promoters, organizers, and the Chief Steward determine the schedule (including all activities during the event) and draft the Supplemental Regulations.
- B. See that all Entry Forms are distributed.
- C. Arrange for insurance conforming to SCCA requirements, and for a copy of the Insurance Certificate to be presented to the Chief Steward, the Chairman SOM, the ACS – Safety, and the track before the beginning of the event.
- D. Arrange for trophies and their proper distribution.
- E. Arrange for the use of the course and all necessary facilities.
- F. See that qualified officials are appointed.
- G. Work with each Chief of Specialty to assure that they have the proper equipment and facilities.

5.3. COURSE MARSHAL

The Course Chief prepares and maintains the course and performs other related duties assigned to him by the ACS – Safety and the Chief of Emergency Services (Chief of ES) in conjunction with the Race Director or Chief Steward.

5.4. EMERGENCY SERVICES – MEDICAL AND FIRE SAFETY

The Chief of ES, in conjunction with the Race Chairman and ACS – Safety, staffs and equips the event for medical and fire safety.

5. Officials, Operating Procedures, Equipment

5.4.1. Purpose

- A. To establish equipment and personnel needed to affect a workable medical, fire, and safety plan. Detailed plans need to be based on the specific conditions at the event facility and local, state or federal protocols and regulations.
- B. The Chief of ES shall be familiar with local, state, and federal regulations for accident and medical emergencies. At tracks where SCCA volunteer medical personnel cannot perform medical duties, the Chief of ES and the ACS – Safety will be responsible to ensure that proper medical equipment is available, and that proper medical procedures are being followed.
- C. A copy of the medical and fire safety plan for each track must be submitted by the Divisional Executive Steward to the National Office.

5.4.2. Personnel

A. Medical

The following apply:

1. There will be a Chief Medical Official who is either: 1) Physician, MD or DO, preferably with an EMS background and licensed to practice in at least one (1) state or, 2) Paramedic or equivalent (advanced life support technician) with an active license or certification for the state in which they are operating, or, 3) PA (Physicians Assistant) or APN (Advanced Practice Nurse) trained and experienced in EMS and emergency medicine with an active license. The Chief Medical Official may be a person contracted with the track, and not an SCCA member, but he must coordinate with the Chief of ES.
2. There should be a second licensed medical person (EMT, paramedic, physician's assistant, registered nurse, etc) to assist the Chief Medical Official(s).
3. Medical personnel report to the event Chief Medical Official.
4. Medical units should be stationed so that the maximum time for a first medical response is no more than 2 minutes.

B. Fire Fighters

1. At least 2 persons who are trained to use the equipment should be assigned to each fire truck. A minimum of 2 persons should be assigned to each fire truck.
2. Fire fighters report to the Chief of ES. If no Chief is assigned, then to the ACS – Safety.

C. Wrecker Operator(s)

1. At least 1 person who is trained to use the equipment will be assigned to a wrecker.
2. Wrecker personnel report to the Chief of ES. If no Chief is assigned, then to the ACS – Safety.

5.4.3. Required Equipment

A. Ambulances

1. During any competition, there shall be at least 1 ambulance at the track which meets all Advanced Life Support requirements for the jurisdiction in which the event takes place (where "jurisdiction" means the governing body, such as a township, city, or county). A Basic Life Support ambulance is acceptable only if the track medical facility is equipped and staffed for Advanced Life Support.
2. Arrangements for transportation from the track by EMS service should be in the medical operations protocol.

B. Fire Truck

At least 1 fire truck shall be equipped to fight automobile fires. This vehicle should be stationed so that maximum response time is 2 minutes at a speed not to exceed 50 mph.

C. Wrecker

At least 1 wrecker must be capable of lifting any race car in the event. The wrecker may also serve as a fire truck if it is properly equipped and staffed.

D. Telephone

A telephone or radio in the tower or medical duty station must be able to contact community emergency services and hospitals.

E. Other Equipment

1. If a power compound rescue tool and trained operator is on call and available within 10 minutes, it does not have to be located at the event site.
2. Comparable equipment may be substituted with the advance approval of the Divisional Executive Steward.

5.4.4. Operating Rules

A. Emergency Plan

The Chief of ES and the ACS – Safety will verify that a written emergency plan has been distributed to all emergency and supervisory personnel before the event begins.

B. Briefing

All emergency service personnel should be briefed to review duties, duty stations, equipment, race circuit characteristics, vehicle, and other protocols.

C. Dispatching

Dispatching emergency vehicles onto the track must be authorized by the Race Director or Chief Steward, according to procedures agreed on in advance by the Chief Steward, Chief(s) of Flagging and Communications, Chief of ES, and ACS – Safety.

D. Hospital Arrangements

1. The Race Chairman and Chief Medical Official establish a primary route to the primary and secondary hospital prior to an event, and advise the vehicle drivers.
2. In advance of the event, the Chief Medical Official must confirm that adequate hospital staff and facilities are available, along with the protocols to be followed, and notify the Chief of ES.

E. Identification of Personnel

Emergency services personnel should be readily identifiable by some means other than the usual passes (e.g., vest, arm bands, jackets).

F. Start of Race

All emergency vehicles shall be staffed with engines running for the first lap of each race.

G. Suspension of Racing

Racing must be suspended if the personnel specified in 5.4.2. or the equipment specified in 5.4.3.A. - C. are no longer on the premises or are unable to perform their assigned duties, or if communications with emergency vehicles are interrupted.

H. Counter-Race Direction Towing

Specific approval of the Race Director or Chief Steward is required to tow a car in counter-race direction at any time or under any condition during an event. Violating this rule may result in penalties as specified in Section 7.

5.5. FLAGGING AND COMMUNICATIONS**5.5.1. Chief of Flagging and Communications**

The Flagging and Communications Chief establishes and administers the Flagging and Communications organization; he recruits, trains, and assigns qualified individuals within the specialty. There may be separate Chiefs for Flagging and for Communications.

5.5.2. General Organization

The purpose of Flagging and Communications is to provide course control by:

- A. Informing the drivers, through flags, lights, or other signals, of the conditions of the course, the condition of their cars, or of any unusual conditions affecting the running of the event;
- B. Establishing and operating a communications system which includes all corner stations and race control, where all communications affecting the control of the event are conducted. Race control maintains direct communications with the Race Director or Chief Steward. Racing must be suspended if communications between race control and the corner stations or between race control and the Race Director or Chief Steward is interrupted;
- C. Informing the Race Director or Chief Steward and other officials, through the communication network, of the condition of the course and the competing cars, and of any situation requiring decisions and/or action by the officials;
- D. Relaying information and instructions from the Race Director or Chief Steward to the emergency vehicles and equipment around the course as well as to the race drivers and corner workers;
- E. Acting to protect the lives and property of drivers, workers, or spectators in the event of an incident;
- F. Maintaining a clear course;
- G. Keeping the required log of all communications on the race network by a person located in the immediate vicinity of the Operating Steward.

5.5.3. Corner Stations**A. Number**

The number, location, and staffing of corner stations must assure that the entire course is can be seen at all times and that areas of the course not immediately visible to oncoming race cars are covered.

5. Officials, Operating Procedures, Equipment

B. Location

Corner stations will be located according to the following criteria:

- the corner personnel have a clear view of the area to be covered
- the oncoming drivers have maximum visibility of the flags and corner personnel
- corner crew have maximum protection from out of control automobiles

The yellow flag must be displayed when a corner worker or other personnel move to a less protected or unprotected area.

C. Personnel

Corner stations should be staffed with at least 4 people: a flagger, a communicator, a safety response, and a corner captain in charge of the station. If necessary, stations may be staffed with a minimum of 2 people.

At least 20 percent of the Flagging and Communications personnel should have experience in fighting actual or simulated vehicle fires.

D. Equipment

Along with communications hardware, each corner station will be equipped with sufficient flags and fire extinguishers so that they may respond adequately to any situation.

5.6. REGISTRATION

The Chief Registrar establishes and administers the Registration organization and systems; he recruits, trains, and assigns qualified individuals within the specialty.

The Chief Registrar accepts, certifies, and processes all entries and issues credentials for drivers, crew, and Officials and posts all required signs/placards in the registration area.

Registration provides all entry information to Timing and Scoring in the format requested by T&S. Information from late entries must be given to T&S promptly. Registration assigns the car numbers for all cars entered in the event. See section 9.3. Identification Markings.

Registration provides entry information to the Stewards as requested.

5.7. SOUND CONTROL

5.7.1. Sound Control Chief

The Sound Control Chief shall be responsible for monitoring and reporting sound levels of all racing vehicles at sound-controlled events in accordance with the GCR. Specifically, he shall:

- Ensure that the sound monitoring equipment is located at an official certified site.
- Ensure that readings shall be made in accordance with the GCR.
- Advise race control as soon as possible of any sound readings above the track limit.
- Submit post-race reports to the Chairman of the SOM.
- Monitor weather and ambient conditions throughout the day.
- Perform field calibration of the equipment in accordance with the GCR.
- Ensure that yearly certification of the equipment (meter, microphone, and field calibrator) has been performed by the manufacturer or a certified laboratory.

5.7.2. General Procedures and Requirements

Competitors carry sole responsibility to determine that their vehicles comply with Sound Control Regulations at each event.

Sound Control may be in effect for all events, as approved by the Division Executive Steward. If Sound Control is in effect at an event, all cars will be monitored and readings will be posted for competitors' information. A driver registering a single sound level reading over the maximum for the event shall not be black flagged. If a driver is black flagged due to sound, the car shall not re-enter the course until corrective steps are taken.

5.7.3. Standards

A sound level instrument (meter) that meets American National Standards Institute (ANSI) S1.4-1983 Class 2 or better shall be used. The primary maximum for SCCA Sound Control shall be a sound pressure level of 103dB "A" frequency weighted (dBA) measured on the fast response setting at 50 feet (+/- 2 feet) from the edge of the track pavement, and/or artificial markers indicating track edge. Other maximum levels may be imposed at specific venues or events. These alternate levels shall be noted in the Supplemental Regulations. All sound readings shall be truncated to the lower whole number. (Anything after the decimal point is ignored.)

Proper location and use of all test instrumentation is essential to obtain valid measurements.

- Acoustic calibration procedures should include extension cable influence.
- Field calibration shall be done at least every 4 hours while in the operating mode.
- The microphone shall be 3.5 feet (minimum) above the ground surface, 2.0 feet (minimum) above the level of the roadway, no more than 6 feet above the level of the roadway. Whenever possible, it is

recommended (but not mandatory) that the microphone shall be located on the outside of the track between the race car and the outside perimeter of the racing facility, aimed into infield areas.

- D. Weather conditions should be recorded every hour when conditions are unstable, or otherwise every 2 hours.

5.8. START

5.8.1. Chief Starter

The Chief Starter directs and manages the officials in the specialty, ensuring that directions given to competing drivers by flag, hand, and body signals are done so as prescribed by the GCR with respect to starting, suspending, and ending a race.

5.8.2. Responsibility

The Starter operates directly under, carries out the orders of, and is responsible solely to the Race Director or Chief Steward.

5.8.3. Function

The Starter controls the competing drivers by conveying to them the orders of the Race Director or Chief Steward.

5.8.4. Location

The Starter shall be stationed in a position that will provide maximum visibility to the competing drivers. The Starter shall have immediate communication with the Race Director or Chief Steward.

5.8.5. Equipment

The Starter must be equipped with a complete set of flags required by the GCR.

5.9. TECHNICAL AND SAFETY INSPECTION

5.9.1. Series Chief Tech Inspector and Chief Technical Inspector

The Series Chief Tech Inspector or the Chief Technical Inspector assures that cars comply with the GCR and Supplemental Regulations. Specifically, he:

- A. Approves cars that comply with all safety regulations.
- B. Inspects cars at the request of the Race Director or the Chief Steward and recommends inspecting cars to the Race Director or the Chief Steward.
- C. Reports cars that do not comply with the GCR to the Race Director or the Chief Steward.

The Series Chief Tech Inspector or the Chief Technical Inspector approves every car before it competes, according to procedures defined in Sections 5.9.2 and 9. A driver or entrant whose car is not approved and who subsequently competes or who presents it for recheck without the corrections specified may be penalized as provided in Section 7.

5.9.2. Inspecting Automobiles

A. Annual Inspection

A car must have full and complete Annual Technical Inspection by a tech inspector holding either a Divisional, National or Senior license once a year (12 months). If the car passes the inspection, the tech inspector enters the date of the safety harness expiration in the Vehicle Logbook; he then stamps, decals, or inscribes approval; dates and signs the Vehicle Logbook. The driver's safety equipment does not have to be inspected at the same time the car is inspected, but it must be inspected by or at the driver's first race of each calendar year. An Annual Tech expiring on a race weekend is valid for the full weekend. (See 9.3. Driver's Safety Equipment)

1. Divisional Safety Inspection License for Prep Shops
 - a. Divisional Safety Inspector license assigned to an individual employee in the shop issued by the Tech Division Administrator
 - b. Can only perform annual inspections
 - c. Records every annual issued and send to their DA
 - d. Pass the SFI test
 - e. Review the Annual Inspection Form
 - f. Be trained by a National Scrutineer on how to perform annual inspections
 - g. Obtain tools required to perform annual safety inspections
 - h. Volunteer to help perform annual inspections at the track once a year
 - i. Complete Annual Inspection Form log and email to their DA of Tech
2. Restrictions
 - a. Will not be allowed to issue New Log Books or inspect/clear damaged cars

5. Officials, Operating Procedures, Equipment

- b. Will not be allowed to participate in Post Race Impound activities
- c. DA's and Chief of Techs to perform random spot checks for safety compliance

B. Minimum Event Safety Inspection/Logbook-Tech Sticker

Following the Annual Technical Inspection, minimum inspection for each event requires reviewing of the current Vehicle Logbook and signing off the logbook page for the event. If it is in order, a Tech sticker is issued. The Series Chief Tech Inspector or the Chief of Tech may delegate signing the logbook page and issuing the Tech sticker to any worker holding a current Regional Tech license or above. The driver's safety equipment does not need to be reinspected.

All cars must display a Tech Sticker signifying successful completion of technical inspection to enter the course. Technical inspection assists event officials in determining, in their judgment, eligibility to participate in a SCCA sanctioned event. The technical inspection does not ensure, certify, or warrant that the vehicle or any part of it is safe or totally and ultimately compliant with all applicable rules nor does it in any way change the fact that the driver, crew members, and vehicle's owner are ultimately responsible for the safety and operation of the vehicle and equipment. By conducting a technical inspection, SCCA and each of its directors, officers, employees, and officials, make no representations, warranties, or assurances that a technical inspection, including the review of any written information, will do any or all of the following:

- Detect every or any problem with a vehicle or a driver's personal equipment or clothing; or
- Detect every problem with rule compliance; or
- Prevent bodily injury, death, or personal monetary damage.

The participant agrees that he bears the ultimate responsibility at all times to ensure the safety of his vehicle and equipment, and compliance with all SCCA rules, regulations, and agreements, including but not limited to those contained in the GCR. In addition, in the case of technical violations, he acknowledges, understands, and agrees that he is responsible to fully know every component of his vehicle and that even if a third party (for example, an engine builder) has caused his vehicle to be noncompliant, he will still be responsible for and will be charged with any applicable violation and penalty.

C. Re-inspection

A car must be re-inspected if damage or deficiencies from the car's previous event(s) are noted in the Vehicle Logbook or if the car changes category.

Inspection above the minimum level (see 5.9.2.B.) may be performed when:

- For vehicles as specified in Supplemental Regulations; or
- At the request of the Race Director or the Chief Steward.

Throughout the racing season, the Tech crew is encouraged to perform regular re-inspections through walk around observation in the pits and paddock, or through special impounds by group or class with the concurrence of the Race Director or the Chief Steward.

D. Alterations or Damage After Inspection

Cars which have been altered or damaged after they have been approved at event Tech Inspection are subject to re-inspection and re-approval.

5.9.3. Impound

A. Post Race Impound

1. Post-race impound is mandatory at all U.S. Majors Tour races as defined in the event-specific supplemental regulations and at the Runoffs; it is recommended at all other events.
2. *Unless directed by a tech official, **working on, repairing, or altering a car that has been directed to post-race impound will result in disqualification and other appropriate penalties assessed to both driver and entrant and may result in suspension of membership. Tire pressures and tire temperatures may be checked. Effective 3/1/2023.***

B. Impound Safety

There should be at least 1 nominal 10 pound dry chemical agent capacity, minimum UL 60 BC or ABC rated, CO2 or equivalent Halon fire extinguisher present in the impound area.

C. Minimum Impound Inspection

Unless otherwise specified in the Supplemental Regulations, the first 3 finishers in each class shall be immediately impounded for a minimum of 30 minutes after their race is completed. The Race Director or the Chief Steward may direct that additional finishers in any class may likewise be impounded. It is the driver's responsibility to know his finishing position and present his car to impound immediately, without going to the paddock. Failure to do so promptly will be reported to the Race Director or Chief Steward, and may result in penalty.

For each impounded car, the weight and other items appropriate for the class may be inspected, as agreed upon by the Race Director or Chief Steward and the Series Chief Tech inspector or Chief Technical Inspector. The Race Director or Chief Steward may also order that a wheel or intake choke(s) or restrictors be removed during impound for inspection. These inspections are not subject to the fees outlined in 5.12.3.C.5. Additional inspections may be conducted through the protest procedures outlined in 8.3.3.

If there is any doubt about the weight, the car must be weighed in both directions. A car that is underweight in impound will be reported to the Race Director or Chief Steward, is subject to penalty, and the weight will be noted on the next page of the Vehicle Logbook. The car must be weighed at the next event and must meet the proper minimum weight before being allowed to qualify.

The Series Chief Tech Inspector or Chief Technical Inspector will report any questions or doubts about a car's compliance to the Race Director or Chief Steward.

5.9.4. Official Scales

A. The scales at the event are the official scales for the event. The Supplemental Regulations will include the hours scales will be available for drivers to weigh their cars.

B. The following scale configurations are acceptable:

- platform scales,
- individual scales that weigh 1 axle (2 wheels) at a time, or
- 4 individual scale pads that each weigh a single wheel.

If all 4 wheels cannot be weighed simultaneously, the driver must be weighed separately from the car unless the car is displaying a Mobility Impairment decal, then the driver may remain in the car for weighing.

C. Certification

Scales must be certified, as follows:

1. On-site certification by a commercial scale service within one calendar year prior to the event, OR
2. Use at the track of calibration weights, totaling 100 pounds up to 250 pounds total as recommended by the scale manufacturer, or minimum 250 pounds total if no recommendation is provided by the scale manufacturer for individual scales; minimum 750 pounds total for platform scales. Where applicable, the calibration recommendation by the scale manufacturer (e.g., a manual or letter from the manufacturer) must be available at all times during an event where the scales are in use.

5.10. TIMING AND SCORING

5.10.1. Chief of Timing and Scoring

The Chief of Timing and Scoring (Chief of T&S) is responsible for accurately timing and scoring the event, specifically:

- A. Recruiting, training, assigning, and supervising qualified personnel to time and score the event.
- B. Providing the Race Director or the Chief Steward and the SOM any times and results they request.
- C. Maintaining records of official times and results for all competing cars.
- D. Results Publishing & Distribution
 1. At-Event: Compiling and publishing the Official Results of all competitions. By the end of the weekend's on-track activities, results must be available for all competitors and officials. These may be Provisional Results, if there are pending protests or actions. (See also 5.10.4.) Uploading each session to MYLAPS is strongly encouraged.
 2. Post-Event: For all regional and U.S. Major Tour races, T&S Chiefs will email the final backup Orbits file and Official Results to the email address in the front of this rule book. Official Results for a U.S. Majors Tour race must be submitted within 2 days of the end of the event; results for a Regional race must be submitted within 5 days of the event. Every effort should be made to have Official Results ready to distribute by the end of the weekend. Results will be submitted to the Race Chairman, the SOM, the organizers, the U.S. Majors Tour and Divisional Pointskeepers and the SCCA.
- E. At spectator events, working closely with the Press Officers, press, and other media, as well as with circuit, radio, and/or television announcers, providing qualifying information, results, and any other data requested, as quickly as possible.
- F. Titles are used in this section in a functional sense. The Chief of T&S may delegate any task to any member of the Timing and Scoring staff as appropriate.
- G. Use of the Official SCCA Live timing application is required for all Super Tour events. All other U.S. Majors Tour and Regional events are required to use a live timing application. Assistance is available

5. Officials, Operating Procedures, Equipment

through the SCCA Road Racing department. Additional applications may also be used each weekend.

5.10.2. Approved Systems

Transponder systems used in SCCA Road Racing shall be manufactured by MYLAPS (formerly AMB) or be compatible with MYLAPS systems.

5.10.3. Timing and Scoring Systems

- A. The use of a single MYLAPS system is permitted for all SCCA race events. A backup system consisting of a minimum of continuity tapes is required. Additional backups consisting of lap charts, and/or photocell-based timing system is desirable and recommended.
- B. Any Timing and Scoring system used for a U.S. Majors Tour or Regional race should enable the T&S staff to produce the following information: a set of grids for each race group, a set of time cards for each car from qualifying and the race, continuity tapes, lap charts, provisional results, and official results. For Drivers' Schools, the T&S staff should be able to produce the time on track for each session and comprehensive time for all sessions for each student, if requested by the Chief Instructor.
- C. The Chief of T&S should use the staff in the most productive manner possible. The primary function during qualifying is to establish grid positions. During a race, the emphasis should be on scoring the race and recording any timing-related race information that is possible with the available staff. Timing of class leaders during races is recommended to provide the information described in Section 5.10.4.B.3. No protests concerning the Timing and Scoring requirements will be accepted.

5.10.4. Results

A. Provisional Results

A lap chart or a printout showing the order of finish and number of laps completed for each car shall be titled as Provisional Results and posted as soon as possible. The time of posting will be on the Provisional Results with the Chief of T&S's initials or signature, and an announcement will be made. **When there is a pending action for a particular race group, Provisional Results for that group may be distributed to officials and competitors in lieu of Official Results, with a notation printed stating the reason (i.e., pending outcome of action involving X class).**

B. Official Results

1. At the expiration of the protest period (30 minutes or the time stated in the Supplemental Regulations), Provisional Results may be considered official if Tech has cleared impound and the Race Director or Chief Steward and/or SOM have no pending actions. The Race Director, Chief Steward or Chairman SOM will inform the Chief of T&S of any penalties before the group is declared official.
2. The Provisional results with amendments applied, should be titled as Official Results and shall include the following types of information: description of event, timing and scoring information, and driver information.
3. The timing and scoring information shall include: total number of entries, DNFs, DNSs, the overall and class finishing positions for all starters, the number of laps completed for all starters, the overall time of the race, the winner's margin of victory, the winner's average speed, the fastest lap time for all starters and any new course records.

All drivers listed on the final race results shall be consistent with the numbers included in the event audit.

A DNF (Did Not Finish) is defined as a car that did not complete the required number of laps to be a finisher (half the number of laps counted by the overall leader, rounded down to the nearest whole integer). A starter is defined in Section 6.10.2. A DNS (Did Not Start) is defined as any car that turned a wheel on the track during practice or qualifying but did not start the race.

4. The driver information shall include: driver's full name, hometown, state, region of record, membership number, car number, car make and model, and sponsor information.
5. Optional information on the Official Results may include: the overall time and average speed for each class winner, pit stop information, and accident reports. This information may be available on a separate document, such as an Entry List.
6. When a participant receives any penalty listed in 7.2., the penalty and GCR reference shall be shown on the Official Results.
7. When a car is disqualified, or withdrawn, the results should list the car at the bottom of the finishing order, showing the true finishing order as affected by the disqualification, or withdrawal. The results should show the final overall and class positions, as adjusted, for all finishers. The reason for the disqualification should be shown on the Official Results, including the GCR reference.
8. A driver not competing for event/series awards will be listed on the official results in the correct finishing position with a notation citing 3.6.4. No points will be assigned, if any would have been earned. An earned lap record remains intact.

5.10.5. Media

It is strongly recommended that at spectator events the Chief Timer and Scorer meet with the Course and Regional Press Officers in order to establish close cooperation with the announcer and all media, and to arrange for fast transmission of unofficial and official Timing and Scoring information to these people.

It is always preferable that the Circuit announcer and any radio and television announcers receive information relating to Timing and Scoring from members of the Official Timing and Scoring personnel, via the Circuit or Regional Press Officer.

5.11. ADDITIONAL OFFICIALS**5.11.1. Driver Observer**

A Driver Observer is an optional official who occupies a post along the course assigned by the Race Director or Chief Steward, or by the Chief Observer, if there is one. Driver Observers are controlled by the Race Director or Chief Steward and they report all incidents which occur in their assigned section of the course to the Chief Steward.

5.11.2. Press Officer

A Press Officer is an optional official who advises other Officials on press information and who acts as liaison with the promoter's press director, if any. Chief Officials and SOM cooperate with the Press Officer in carrying out his responsibility to advise the press on matters of public interest.

5.11.3. Judges

Judges are optional officials who may perform one or more of following duties:

- A. Starting Judges report to the Race Director or Chief Steward any false starts immediately after they occur. Finishing Judges declare the order in which cars cross the finish line. Judges of the Fact decide whether a car has touched or passed a given line or rule on other facts of the same type provided in the Supplemental Regulations.
- B. A Judge's determination may not be protested.
- C. A Judge may correct his determination with the approval of the SOM.

5.11.4. Compliance

- A. Compliance Staff Members of the compliance staff are assigned by the head of Road Racing and designated subject matter experts for particular classes or categories. As part of the technical inspection team, their sole responsibility is to advise the Chief Technical Inspector of cars not in compliance with the GCR and/or the Supplemental Regulations for the event.
- B. Class Compliance Chief (CCC) - A member of the compliance staff may be specifically designated by the head of Road Racing as the CCC for a class. The CCC will work under the guidance of the Race Director or Chief Steward and with the event technical staff to provide consistent compliance checking across all events for the designated class. The CCC will report any findings of vehicles not complying with the GCR to the Race Director or Chief Steward for potential Chief Steward's Action (CSA) or Request for Action (RFA). Findings of the CCC regarding compliance items specific to that class are non-protestable. Decisions made by and/or penalties assessed by the Race Director, Chief Steward or Stewards of the Meeting (SOM) may be subject to protest or appeal.

5.11.5. Race Data Technicians

This program is to assist the Club Racing Board in performance balancing. If selected, drivers' participation is not optional and is not protestable. The data collected will not be used for compliance purposes. All cars carrying an SCCA data collection device shall report to impound immediately after their sessions.

Data Technicians are Officials whose duties include:

- A. Being responsible for placing, operating and removing SCCA supplied data boxes on cars at all Club races.
- B. Analysis of data retrieved from all sources, including dyno runs, at-race data boxes and data provided by individual racers.
- C. Prepare reports to the applicable Advisory Committees, and to the CRB, with recommendations for competition adjustments.
- D. Data Technicians will be required:
 1. To keep all information collected and analysis completed confidential and not share the information outside of other licensed Data Technician, Road Racing Board, respective committees and SCCA National Staff.
 2. Not use the information for any purpose other than the performance of duties as a Data Technician on behalf of the SCCA.

5.12. STEWARDS

5.12.1. Stewards of the Meeting (SOM)

The SOM are responsible only to SCCA, and they enforce compliance with the GCR and Supplemental Regulations. They act primarily in a judicial capacity, and therefore shall not incur any responsibility for the organization or execution of an event.

A. Powers of the SOM

1. Settle any dispute within the administrative functions, or protest arising from an event, subject to the rights of appeal provided by the GCR.
2. Hear and act on Requests for Action from the Race Director or Chief Steward. (See Section 8.1.2.)
3. Impose any penalty permitted by the GCR and Supplemental Regulations. (See Section 7.)
4. Appoint substitutes to replace any Stewards or Officials not able to perform their duties. This power shall be used by the remaining Steward or Stewards to ensure that there are always at least 2 SOM.
5. Modify the Supplemental Regulations. (See 3.4.2.)
6. Alter the schedule.
7. Modify the position of the starting or finishing lines where necessary to ensure the safety of drivers and spectators.
8. Amend the results of a competition:
 - a. Based on a correction or error by the Chief of T&S or another official without necessarily receiving a request or protest to do so.
 - b. To take into account a time, distance, or lap penalty against a competitor.
 - c. To change the sequence of finishing positions in case a competitor is disqualified.
9. Postpone a competition for reasons of safety or forces beyond their control.
10. May return a RFA to the Chief Steward/Race Director for further evaluation if, during their investigation, they uncover other information the Chief Steward/Race Director may not have been aware of when initially completing the RFA. The Chief Steward/Race Director may alter the returned RFA as they deem necessary and resubmit it to the SOM.

B. Chairman of the SOM

One of the SOM shall be appointed Chairman of the SOM for the event. He may not be a member of the organizing Region at U.S. Majors Tour events, and should not be for Regionals and/or Drivers' Schools.

1. Observer's Reports

As soon as practical after the conclusion of an event (not later than 10 days), the Chairman of the SOM shall forward to the Road Racing Department an Observer's Report that includes:

- a. Details of all protests,
- b. Actions taken,
- c. Penalties imposed (including reprimands and suspensions to be noted in driver's file),
- d. Notice(s) of intention to appeal and appeals, including appeal fee(s),
- e. Fine(s) collected,
- f. Full details of any incidents,
- g. Official results of all competitions,
- h. General comments and recommendations of the SOM on the organization and conduct of the event.

2. Notice of Probation and/or Suspension

The name(s) of anyone placed on probation, or whose competition privileges were suspended, must be faxed or emailed to the Road Racing Department on Monday following the event. Required information includes the name, member number, event date/location, and the name of the Chairman SOM. The confiscated license(s) and tear-off coupon(s) from the Probation Letter(s) must be sent with the Observer's Report.

C. Alternate SOM Model

An alternate SOM Model may be used if there are a limited number of Stewards available at an event. The Chairman of the SOM, in agreement with the Chief Steward/Race Director, may appoint experienced drivers as temporary Stewards, who have a good understanding of the GCR and are willing to participate as members of the Stewards of the Meeting. The Chairman shall ensure that the SOM follows the appropriate GCR process when hearing protests or requests for action.

5.12.2 U.S. Majors Tour Race Director

In addition to the Chief Steward's responsibilities and duties detailed in 5.12.3, the US Majors Tour Race Director has the power:

- A. To change the Schedule and/or Race Groups, in agreement with the organizing Region.
- B. To correct any typographical or clerical errors or omissions (see 3.1.1.C.2.c and 3.1.1.C.2.d).
- C. To place a driver on probation per 7.2.G., but for no more than three event weekends. For all other changes to the Supplemental Regulations or GCR violations requiring probation for more than three event weekends, the Race Director must file a Request for Action with the Stewards of the Meeting.

5.12.3. Chief Steward

The Chief Steward is the executive responsible for the general conduct of the event under the GCR and the Supplemental Regulations. He has the powers and the duties set out in this Section, and he may delegate any of these powers and duties to Assistant Chiefs.

A. Execution of the Event

The Chief Steward shall:

1. Execute the program of competitions and other activities safely by controlling drivers, their cars, the Officials, and workers from the commencement of activities until the time for protests from the last competition has expired.
2. Determine whether Officials are at their posts and report any absences to the SOM.
3. Ensure that all Officials and workers are provided with necessary information.
4. Collect all reports and other official information to determine the results.
5. Provide any information required to enable the Chairman SOM to prepare the Observer's Report.
6. Authorize a change of driver or car.
7. Forward to the SOM any Chief Steward proposed modifications the schedule of competitions for approval.
8. Prevent an ineligible driver from competing.

B. Maintenance of Order

The Chief Steward:

1. Shall keep order in conjunction with public safety authorities who are policing the event.
2. May exclude from the event any entrant, driver, crew, official, worker, or SCCA member who is guilty of misbehavior.
3. May exclude from participating any worker or official who is ineligible for the position to which he is assigned or who the Chief Steward determines is incapable of carrying out his duties.
4. May order any person who refuses to obey the order of any responsible Official or of a public safety officer removed from the premises.
5. May prohibit any driver or car considered dangerous from competing.
6. Shall convey a report to the SOM of entrant or driver misbehavior. This may be accompanied by a Request for Action. (See 8.1.2.)
7. Shall receive protests from entrants, drivers, or officials and immediately transmits them to the SOM.

C. Powers of the Chief Steward

The Chief Steward may:

5. Officials, Operating Procedures, Equipment

1. Disqualify a driver or an ineligible car.
2. Remove technical inspection stickers.
3. Disallow qualifying times.
4. Direct cars to be impounded at any time during the event.
5. At his discretion and without necessarily receiving a request to do so, order (or request the SOM order) disassembly and inspection of any entered car to determine whether it complies with the GCR. If the car is found to be compliant, the race organizers stand the expense of the disassembly, inspection, and reassembly. If it is not compliant, the entrant shall bear the expense, in addition to whatever penalties the Chief Steward may assess or the SOM may direct after receiving the Chief Steward's report. A representative of the race organizers authorized to approve financial expenditures must formally approve the bond established for disassembly, inspection, and reassembly before disassembly begins. If the process is the result of a Chief Steward's Action, the Chief Steward is directly responsible for monitoring all facets of the procedure until the time when the impounded parts are either retained by SCCA or returned to the competitor, in the same way the Chairman SOM does for a protest or RFA.
6. Convey report(s) of any breach of the GCR or Supplemental Regulations to the SOM. This report may be accompanied by a Request for Action. (See 8.1.2.)
7. Impose a fine of up to \$100.
8. Prevent an ineligible car from competing.
9. Reprimand.
10. Impose time, lap, event points, or position penalty.
11. Impose up to a three race weekend probation.
12. Modify the Split Start procedures.

5.12.4. Assistant Chief Steward – Safety

The Assistant Chief Steward – Safety is responsible to the Race Director or Chief Steward for the following:

- A. Investigate accidents and forward the originals or scanned pdf by electronic filing of all reports, including original releases, to the Sanction/Insurance Department of the SCCA.
- B. The same day, notify the SCCA Critical Incident Hotline of any accident which involves serious injury to a participant or any injury to a spectator.
- C. Mail or email copies of the material sent to the SCCA Sanction/Insurance Department to the Divisional Safety Administrator.
- D. During the event, report to the Race Director or Chief Steward any hazards requiring further investigation or action.
- E. Perform the duties delegated by the Race Director or Chief Steward.
- F. Supervise Emergency Services personnel and equipment in conjunction with the Race Chairman (pre-event) and the Chief of ES (during the event).

6. RACING RULES AND PROCEDURES

6.1. FLAGS

Flags convey the commands or information indicated below. They must be obeyed immediately and without question. The content of this section cannot be amended by any event Supplemental Regulations.

6.1.1. Meaning of Each Flag

A. GREEN FLAG (Solid Green)

When displayed, the green flag indicates that the course is clear, and that racing is underway. The green flag is ordinarily shown only by the Starter.

B. YELLOW FLAG (Solid Yellow)

STANDING YELLOW – You are approaching an incident where your and other's safety are at risk. The racing surface may be clear but there is immediate danger to you or others if you left the racing surface. Slow significantly and proceed through the incident at a reduced speed. There is no passing from the flag until past the emergency incident.

WAVED – You are approaching an incident that has great danger to you and others. The racing surface may be partially or completely blocked. Slow significantly and be prepared to stop. All efforts should be made to proceed through a Waving Yellow Flag in single file order. There is no passing from the flag until past the emergency incident.

The no passing zone starts at a perpendicular line across the track from the flag and ends at a perpendicular line across the track from the last component of the incident causing the yellow flag. The last component may be the car, driver, responding officials, other vehicles and/or large debris.

DOUBLE YELLOW, DISPLAYED AT ALL STATIONS – Indicates the entire course is under yellow (full course yellow). All stations will display double yellow flags for all pace and safety car laps. SLOW DOWN, NO PASSING. However, cars may carefully pass emergency vehicles and other cars that are disabled or off pace (see 6.6.2.).

NOTE: A driver may encounter several flags before reaching the emergency area. The requirements are still the same: SLOW DOWN, NO PASSING.

C. BLUE FLAG (Blue with Diagonal Yellow Stripe)

Another competitor is following very closely or is trying to overtake. This flag may be displayed standing or waving, depending upon the speed differential.

D. SURFACE CONDITION (Yellow with Vertical Red Stripes)

Take care. A slippery condition exists, or debris is present on the racing surface. This flag is displayed standing.

E. WHITE FLAG (Solid White)

STANDING WHITE - Caution and take care for a slow moving race car, ambulance or other emergency vehicle on the racing surface. The standing flag is displayed for 2 flag stations prior to the vehicle in question. In addition, a standing white flag will be displayed during the first lap of each race group's first session of the day unless another flag is already on display to indicate the location of the flagging stations.

WAVED - A waving white flag if displayed by the Starter shall indicate the start of the last lap of the race.

F. BLACK FLAG (Solid Black)

CLOSED BLACK FLAG (Furled) – Pointed or shaken at an individual car from the Starter's stand (optionally, accompanied by a number board indicating the car number): WARNING for driving in an unsafe and/or improper manner. Continued unsafe and/or improper driving will result in an OPEN BLACK FLAG.

OPEN BLACK – Displayed from the Starter's stand with a number board indicating the car number: Proceed directly to the pits and the location designated by the Race Director or Chief Steward or event Supplemental Regulations for consultation with Officials. DO NOT TAKE ANOTHER LAP.

NOTE: This flag and number board may also be displayed at station(s) elsewhere on the course.

OPEN BLACK, DISPLAYED AT ALL STATIONS – The session has been stopped; all cars must stop racing, and proceed directly and immediately to the pits, exercising extreme caution. This flag will be displayed with an 'ALL' sign at the Starter's stand and the sign may also be shown at station(s) elsewhere on the course.

NOTE: THE BLACK FLAG CAN ONLY BE DISPLAYED BY ORDER OF THE RACE DIRECTOR OR CHIEF STEWARD AS RELAYED THROUGH RACE CONTROL.

G. MECHANICAL BLACK FLAG (Black with Orange Ball)

Displayed from the Starter's stand with a number board indicating the car number. There is a mechanical problem with the car. Proceed directly to your pit or the location designated by the Race Director or Chief Steward or event Supplemental Regulations. DO NOT TAKE ANOTHER LAP.

NOTE: This flag and number board may also be displayed at station(s) elsewhere on the course.

6. Racing Rules and Procedures

H. CHECKERED FLAG (Black and White Checks)

Displayed at Finish to indicate that the session is finished. Continue cautiously to the pits.

I. RED FLAG (Solid Red)

Displayed at each station and on the Starter's stand – EXTREME DANGER – THE SESSION HAS BEEN STOPPED. Come to an immediate, controlled stop at the side of the race track (preferably before and within sight of a staffed station or where specified in the event Supplemental Regulations). When released by an official, proceed cautiously to the pits. Once a red flag has been displayed, it will not be withdrawn until all cars have come to a stop.

NOTE: THE RED FLAG CAN ONLY BE DISPLAYED BY ORDER OF THE RACE DIRECTOR OR CHIEF STEWARD AS RELAYED THROUGH RACE CONTROL.

6.1.2. Lights Instead of Flags

Supplemental Regulations will state where on the course and for what purpose lights, if any, will be used.

6.2. RULES OF THE PADDOCK

6.2.1. Paddock Area Defined

The area where a car parks when not participating in its sessions is the Paddock. Event Supplemental Regulations may delineate the Paddock location and assignment of equitable amounts of space to each competitor.

6.2.2. Retiring to the Paddock

A car that retires to the paddock during its qualifying session, and then returns to the track automatically forfeits qualifying times earned before retiring. A car that retires to the paddock from the pits or the track during its race may not return to the track unless the Supplemental Regulations or the Race Director or Chief Steward specify.

6.3. RULES OF THE PITS

6.3.1. Pit Area Defined

The area that is part of or connects with the access roads leading to and from the racing surface is the hot pit lane, which is where competition vehicles park when not on course during their sessions. There must be a protective barrier between the hot pit lane and the area where support equipment and crews are located.

6.3.2. Required Equipment

There must be fire extinguishers with a nominal 10 pound dry chemical agent capacity and a minimum UL 60 BC or ABC rating placed at 50 foot intervals along the pit wall. If there will be refueling in the pits during the race, each team must provide 1, minimum 10 pound /60 BC or ABC rated fire extinguisher for each car.

6.3.3. Fueling

Fueling is not permitted in the pits unless authorized by the Supplemental Regulations or the Race Director or Chief Steward.

6.3.4. Authorized Personnel in the Pits

Crew members in the hot pits must be event credentialed SCCA licensed members.

6.3.5. Number of Crew Members in the Hot Pit Lane

Unless the Supplemental Regulations or the Race Director or Chief Steward provide otherwise, no more than 4 crew plus the driver or drivers may attend to any car in the hot pit lane.

6.3.6. Control

Pit crews are under the control of the Pit Marshal at all times.

6.3.7. Pit Barrier

Crew may only cross the pit barrier when their car is in the hot pit, except to signal the driver, when no more than 2 crew may cross the barrier.

6.3.8. Overshooting the Pit

If a car overshoots its pit location, the car must either be pushed back into the pit location by hand, or else continue for another lap. No car may be pushed back to the pit location if doing so would create an undue hazard.

6.3.9. Air Bottles/Gas Cylinders

All compressed air bottles/gas cylinders with a pressure in excess of 200 psi must have a protective structure around their gauges and valves when in the pit area.

6.4. THE GRID

note: In section 6.4, the field is defined as all segments.

6.4.1. General

A. 1 car in a class shall constitute a class. A car may not compete in more than one race class in the same race group.

B. Number of Cars allowed on Course

A maximum of 25 cars per mile may be on the course or started simultaneously in any type of session.

The Division's Executive Steward may increase or decrease the 25 car limitation for any or all race groups.

6.4.2 Establishing the Race Grid

- A. A starting position is qualified by a driver/car combination.
- B. The Chief Timer certifies official qualifying times to determine race grid positions. Cars are positioned on the race grid in order of their official qualifying times without regard to engine displacement or class, with the fastest cars at the head of the grid. Any other method of determining starting positions must be described in the Supplemental Regulations and approved by SCCA.
- C. Qualifying time ties are broken by comparing the second fastest times, and then the third, if needed, and so on until a difference is found.
- D. The fastest qualifier may select the inside front row position (in the direction of the first turn) or the outside. If he does not choose, the pole position is presumed to be the inside. If he selects the outside position, the second qualifier is assigned the inside, the third outside, the fourth inside, and so on throughout the entire grid.
- E. Each driver/car combination must qualify within 120% of the qualifying time of the fastest qualifier in his class to be allowed to start his race. The Race Director or Chief Steward may waive this requirement and may allow non-qualifiers to grid behind qualifiers.
- F. Cars that are not in position on the grid prior to the 1 minute signal relinquish their starting positions. They will be held behind other cars, and must start from the back of the field.

6.4.3. Qualifying for Oversubscribed Classes

When the number of cars entered into a single class race group exceeds the maximum number of cars per mile, the following qualifying procedures apply:

- A. The class is split into 2 qualifying groups.
- B. The grid is determined according to 6.4.2.
- C. Alternatively, if the Race Director or Chief Steward determines that track conditions are significantly different for the 2 groups, he may recommend the parallel column procedure in which one half of the race grid is taken from each session, and gridded in columns by group, by time. The fastest car is assigned the inside position on the front row and he is followed in that column by the cars from his session in qualifying time order. The SOM must approve this alternate procedure.

6.4.4. Starting the Engine on the Grid

In all SCCA competitions, engines *must* be started by the driver sitting in the normal driving position, except *F600 cars with two-cycle engines*, using an on-board or supplemental power supply. Carburetor or fuel injection systems may be manipulated and/or primed in the starting process. Push starts are permitted only as specifically authorized as specified in 6.4.5.

6.4.5. Push Starts on the Grid

A car that cannot start on the grid may be push started under the supervision of the Grid Marshal, provided it is back in position prior to the 1 minute signal. Cars push started after the 1 minute signal, or not in position at the 1 minute signal relinquish their grid positions. They will be held behind other cars, and must start from the back of the field.

6.4.6. Fueling

Fueling is not permitted on the grid unless authorized by the Supplemental Regulations or the Race Director or Chief Steward as specified in 6.3.3.

6.4.7. Air Bottles/Gas Cylinders

All compressed air bottles/gas cylinders with a pressure in excess of 200 psi must have a protective structure around their gauges and valves when in the grid area as specified in 6.3.9.

6.5. RACES STARTS

note: In section 6.5, the field is defined as all segments.

6.5.1. The Grid

- A. The Race Director or Chief Steward instructs the 5 minute and 1 minute warnings to be given to the grid, indicating the time remaining before the start of the pace lap. These signals must be plainly audible and/or visible.
- B. Engines should be started at or before the 1 minute signal.
- C. At or before the expiration of the 1 minute warning, the cars will be released to begin the pace lap.
- D. See 6.4.2. for additional requirements.

6.5.2. The Pace Lap

- A. One pace lap precedes all races, unless the Race Director or Chief Steward authorizes an additional unscored pace lap.

6. Racing Rules and Procedures

- B. The pace lap may begin at a brisk pace, but must be sufficiently slowed before the start line to allow orderly grouping of the field. The actual speed immediately prior to the start is dictated by the types of cars, size of the field, and course layout. However, the standard SCCA start is a rolling start and not a flying start. The same official should brief the front row drivers before each race, preferably the Starter, under the direction of the Race Director or Chief Steward.
 - 1. If a pace car is used, it will be positioned at the head of the pack, with emergency lights flashing. Drivers may not pass the pace car until it turns off its emergency lights and pulls off the track, and the pole car will maintain the speed of the pace car before it pulled off track until the green flag.
 - 2. If a pace car is not used, the pole car will pace the field complying with directions from the Race Director or Chief Steward or his designee. The pole car will maintain a constant speed from the grouping until the green flag and shall not modify his speed approaching the flag stand.
- C. A car may not improve its position in the field after the cars are released from the grid for the pace lap.
 - 1. A car that improves its position relative to the field during the pace lap by moving forward, moving out of line more than half a car width, or passing before the green flag is displayed may be penalized for a false start. If a false start has occurred, and the race has been started, the driver(s) may be black-flagged and held in the pits or at the start line for up to 1 minute, and other penalties may also be imposed, as specified in Section 7.
 - 2. A car that fails to start with the pace lap or falls out of position during a pace lap relinquishes its grid position and may rejoin only at the back of the field.
 - 3. A car that is disabled and cannot keep the pace should not hold up the field. The driver must signal that his car is disabled by raising an arm, pulling to the side of the course, and staying well off the racing line. Other cars may safely pass the signaling vehicle. The driver of a disabled car should seek assistance at the nearest corner station or pit at the first opportunity.
 - 4. When a car drops out of the pace lap(s), everyone in the column behind that car must close up behind the car in front; moving up under this circumstance is not considered improving position or passing under yellow.

6.5.3. The SCCA Standard Rolling Start

- A. The SCCA standard rolling start will be used at all SCCA races unless an alternate procedure has been approved by the Division's Executive Steward and is included in the event Supplemental Regulations.
- B. The Starter shall be safely located where the majority of the drivers in the field can clearly see him as they approach his position. He shall remain motionless, with the green flag hidden, and no other flags visible.
- C. The Starter will start the race by suddenly and continuously waving the green flag until all cars have passed the start line if the field is:
 - 1. At a constant low speed;
 - 2. Well bunched; and
 - 3. Close enough to the Starter that the majority of the drivers can see the flag.
- D. Racing begins and passing may occur throughout the field when the green flag is displayed.

6.5.4. An Aborted Start

- A. The Starter will abort the start by displaying no flag and shaking his head in the negative if the field is not in good order, or if some drivers have improved their positions by moving out of line more than half a car width or by passing prior to the waving of the green flag. This advises the drivers to proceed on another pace lap. Drivers raise one hand to confirm that the start is aborted.
- B. If the race is not started, another pace lap will be run. Depending on conditions, the pace car may overtake the field and resume its function. The front row drivers must be advised that the pace car may return to its position for the additional pace lap if there is no start. Drivers may safely pass under the Double Yellow Flags to return to their original grid position. However, cars late to grid or that dropped out of position during the pace lap must remain at the back of the pack.
- C. Any additional pace lap(s) following aborted start(s) are under double standing yellow flags at all stations, and are scored as race laps. Timing starts when the pole car crosses the timing control line, unless otherwise specified by the event Supplemental Regulations.

6.5.5. Split Starts

- A. Split starts are recommended when there is a large differential in speed or cornering ability between the classes or categories in a single race group. The Race Director or the Chief Steward may modify the Split Start procedures. The procedure for a split start must be explained in the Supplemental Regulations or at a Drivers' Meeting.
- B. The Race Director or Chief Steward will determine the class(es) in each segment. Segments will contain

entire classes of cars, including those cars with no qualifying time. The Race Director or Chief Steward will determine which segment will start first. The cars assigned to each segment will be gridded by qualifying time, regardless of class.

- C. Each segment should be led by a pace car, if possible. A following segment should have the previous segment in sight on the longest straight.
- D. Split Starts
 - 1. Provided each segment is properly formed, each will receive a separate green flag.
 - 2. Drivers in each segment shall not improve their position until their respective green flag is displayed. Jump starts may be penalized.
 - 3. If the first segment receives a green flag, the race is considered to have begun for the subsequent segment(s) when they cross the control line, regardless of the flags displayed by the starter.
 - 4. The flags displayed by the starter have their normal meanings.
 - 5. If the first segment receives a green flag, but on track safety conditions require an immediate full course yellow, cars in subsequent segments should fall into single file grid order and make every effort to safely catch the back of the first segment.
 - 6. A driver in one segment who is unable to leave the grid when directed but is able to get underway before the first car in the next segment is released, may join the back of his segment at the direction of the Grid official. Otherwise, he relinquishes his grid position and will be held until the end of the last segment.
- E. A starting judge should be appointed for a split start.

6.5.6. Late Starters

After the field has left the grid, the Race Director or Chief Steward may release cars that were not in position at the 1 minute warning to join the back of the pack either from the grid at the beginning of the pace lap or from the pit exit after the race has been started.

6.6. PACE AND SAFETY CAR

6.6.1. Operation and Control

Pace car procedures are located in 6.5.2.B.1.

The Race Director or Chief Steward is responsible for the control and safe operation of the pace/safety car(s), and he must approve the communicator/observer and the driver, who must either hold or have held an SCCA Full Competition License, or have other qualifying experience.

6.6.2. Full Course Yellow Procedures

The Race Director or Chief Steward may use a safety car as necessary to control the field and to assure expeditious restarts.

A safety car and/or the lead car will be used to control the field and to assure expeditious restarts. All vehicles must pass any on track incident(s) well under control. The field shall follow the Pace/Safety car as long as its emergency lights are on, even if it varies from the course.

- A. Safety Car
 - 1. A safety car will enter the course only under double yellow flags.
 - 2. When dispatched, the safety car, with emergency lights flashing, will gather the field under steady and reduced speeds that are appropriate to track conditions.
 - 3. If the safety car is not dispatched in front of the leader, an official in the safety car will wave cars by until the leader is behind it.
 - 4. Prior to a restart, the safety car will maintain the established pace, extinguish the lights, and exit the course.
- B. Lead Car
 - 1. If there is a safety car, the lead car will control the field, as follows:
 - i. Smoothly and orderly slow the field prior to the safety car entering the track.
 - ii. Keep pace with the safety car, and not balk the field.
 - iii. Maintain the speed of the safety car coming down to a restart.
 - 2. If there is no safety car, the lead car will control the field, as follows:
 - i. Slow the field to permit the entire field to bunch up single file behind him.
 - ii. Maintain a consistent pace that is appropriate to the track conditions.

6. Racing Rules and Procedures

- iii Maintain a steady pace coming down to a restart.

3. The Field

- i. All drivers must make every effort to safely catch the field as soon as possible to form a single and evenly-spaced line behind the safety car or leader.
- ii. Race cars may not pass the safety car unless waved around by that official. Any car passing the safety car without being directed may be black-flagged into the pits, and other penalties may be imposed, as specified in Section 7.
- iii. Drivers must maintain the safety car's pace and not improve their positions or begin racing until the green flag has been displayed to restart the race.
- iv. A driver of a disabled car or a car that cannot maintain the pace should not hold up the field. He must signal that his car is disabled by raising an arm, pulling to the side of the course, and staying well off the racing line. Other drivers may safely pass the signaling vehicle. A driver of a disabled car should seek assistance at the nearest corner station, or pit at the first opportunity.

6.7. STOPPING A SESSION

6.7.1. Methods

When it is necessary to stop a session, the Race Director or Chief Steward may do any of the following:

- A. Order a black flag with an "ALL" sign at Start (this sign may also be shown at additional stations elsewhere on the course) and a black flag at all other flag stations around the course.
- B. Order a red flag at Start and all other flag stations. Further instructions will be conveyed by officials.
- C. Order the checkered flag to be displayed to the lead car if at least 50 percent of its scheduled time or distance has been completed.

6.7.2. Assistance During Race Session Stoppage

Replenishing or assisting cars is allowed after a practice or qualifying session is stopped and before it is restarted, but not after a race session is stopped and before it is restarted.

6.8. RESTARTING A RACE

If a race is stopped, the Race Director or Chief Steward may:

- A. Under full course yellow flags, restart in the original starting order.
- B. Under full course yellow flags, restart the cars single file in the physical order they crossed the control line on the last completely scored lap.

For all restarts, the lap count reverts to the end of the last completely scored lap (zero if no laps have been completely scored). When a race is restarted, each pace lap counts as a race lap. If the clock has been stopped in a timed session, it shall be restarted when the field is dispatched. Any method of restarting the engine is permitted.

6.9. RAIN RACING

If a race is started in the dry, and it starts to rain on all or part of the course, the Race Director or Chief Steward may use one of the following procedures:

- A. If the race has covered half or more of the scheduled distance or time, it may be finished with the checkered flag.
- B. If the race has not reached half distance or time, the black flag "ALL" procedure shall be used to bring all cars into the pits, and 15 minutes will be allowed to install rain tires, at the driver's discretion. The cars will restart single file in the physical order of the cars on the last completely scored lap.

6.10. TIMING LINE; STARTERS, FINISHERS, AND WINNERS

6.10.1. Starting Line for Timing and Scoring

Unless otherwise defined in the Supplemental Regulations, the start/finish line is the control line where timing begins/ends when crossed by a car. A car crosses a control line when any portion of the car first intercepts the vertical plane of the control line, as observed by the officials assigned to record the passage, who may be aided by suitable automatic or semi-automatic equipment. *If a camera is used to determine a photo finish, the camera shall be mounted in a direct line with the start/finish line.*

6.10.2. Race Starter

One of the following conditions must be met for a car to be considered a race starter:

- A. The car receives a green flag at the start of the race.
- B. If the start is aborted, the car crosses the control line.
- C. The car is anywhere on the course when the green is displayed.
- D. The car completes the pace lap for the first start.

- E. The car enters the race any time after the start before the checkered flag is displayed.

6.10.3. Race Finisher

- A. A race finisher is a car that completes half the laps of the overall race winner for either a numbered lap event or a timed event. Enduro events should define the awarding of points in the enduro supplemental regulations. If the race is an uneven number of laps, divide the overall winner's laps in half and round down to the nearest whole integer. A car has 5 minutes after the checkered flag to complete its current lap.
- B. A car may complete a lap by being driven across the control line in the pit lane only using on-board power (such as the starter motor), but it may not be pushed across the line by its crew or any officials.

6.10.4. Race Winner

The race winner is the car that completes the race distance in the least time, or the greatest distance in the timed length of the competition. If the race is shortened, the leader of the last completely scored lap is the winner, provided the race is completed.

A. Checkered Flag

The checkered flag is displayed at the finish line first to the winner as he completes the race distance or after he completes the prescribed time, and then to the other finishers as they cross the finish line.

B. Checker to Wrong Car

If the checkered flag is displayed first to the wrong car, it shall be continuously waved until seen by the entire field. The race finishing order will be determined by the last completely scored lap.

C. Late Checker

If the checkered flag is not displayed at the scheduled end of the race and the race is one or more laps longer than scheduled, the race is scored as if it had ended at the scheduled length. As soon as the Starter is aware that the checkered flag has not been displayed at the scheduled end of the race, he may show the checkered flag immediately, if both Timing and Scoring and the Operating Steward concur.

D. Winning Car Not Running in Timed Race

If the winning car is not running at the expiration of the timed length, the checkered flag will be displayed to the highest placing car still running. The winner in a timed race is not required to take the checkered flag.

E. Dead Heats

Competitors in a dead heat share the prizes allotted to their finishing positions.

6.10.5 Shortened Races

- A. If a race is stopped at less than 50 percent of its scheduled time or distance and is not restarted, it is incomplete; *regions may award drivers' points but* organizers will not be required to distribute trophies or other awards.
- B. A race that is stopped at 50 percent or more of its scheduled time or distance, and not restarted, is complete, and results will reflect the order of the end of the last completely scored lap (even if that lap is less than 50 percent of the scheduled distance).

6.10.6. Lap Record

Official lap records are set during races; not practice or qualifying. A driver whose car is penalized for non-compliance in a race may not set a lap record in that race.

6.11. RULES OF THE ROAD

GCR Appendix P contains the Racing Room and Passing Guidelines which further define the intent of this GCR Section.

6.11.1 On Course Driver Conduct

- A. Drivers are responsible to avoid physical contact between cars on the race track.
- B. Each competitor has a right to racing room, which is generally defined as sufficient space on the marked racing surface that under racing conditions, a driver can maintain control of his car in close quarters.
- C. Drivers must respect the right of other competitors to racing room. Drivers are entitled to one safe protective move. Once the one safe move is made, any abrupt changes in direction that impede or affect the path of another car attempting to overtake or pass may be interpreted as an effort to deprive a fellow competitor of the right to racing room.
- D. The overtaking driver is responsible for the decision to pass another car and to accomplish it safely. The overtaken driver is responsible to be aware that he is being passed and not to impede or block the overtaking car. A driver who does not use his rear view mirror or who appears to be blocking another car attempting to pass may be black flagged and/or penalized, as specified in Section 7.
- E. If a driver is involved in significant body contact, the driver and car shall stop at the designated incident investigation site for review of the incident by the stewards before going to their paddock area.

6. Racing Rules and Procedures

The designated incident investigation site shall be identified in the Supplemental Regulations and/or a written driver's meeting. "Significant body contact" includes but is not limited to: contact resulting in 2 or 4 wheels off course, spins, loss of position, or repairs to suspension or bodywork.

6.11.2. Hand Signals

- A. A driver should signal his intention to enter the pits from the course by raising his arm.
- B. An overtaken driver should point to the side on which an overtaking driver should pass.
- C. The driver of a stalled car should raise both arms to indicate that he will not move until the course is clear.

6.11.3. Off-Course Excursions

Drivers are required to follow the pavement or marked course, and may not gain an advantage from an off-course excursion. Unless the Supplemental Regulations specify otherwise, a driver who leaves an artificially marked course or an airport circuit with all four wheels must reenter the course at the same location where he went off, subject to the directions of officials controlling reentry.

6.11.4. Counter-Race Direction Driving

Specific approval of the Race Director or Chief Steward is required to drive a car in counter-race direction at any time or under any condition during an event. Violating this rule may result in penalties as specified in Section 7.

6.11.5. Stopping on a Course; Accepting Assistance

- A. A driver who stops his car on course must make every effort to assure that the location does not pose a danger or obstruction to other competitors.
- B. During a race, a driver may receive assistance only in the pit lane by his pit crew, except for safety assistance from race officials.
- C. For assistance during restarts, see 6.8.

6.11.6. Using the Engine Self-Starter on Course

While on the course, a car may not be moved using the starting device, except to relocate to a position of greater safety or under provisions of 6.10.3.B.

6.11.7. Passengers

No one may ride outside the cockpit area or on the coach work of any automobile at any time, including victory laps.

7. PENALTIES

All Road Racing participants are subject to control by SCCA, the GCR, and the Supplemental Regulations. This Section specifies the penalties for violating the GCR and the Supplemental Regulations.

7.1. WHO MAY BE PENALIZED

Any entrant, driver, crew member, organizer, official, or SCCA member may be penalized.

7.2. RANGE OF PENALTIES

In increasing order of severity, the range of penalties is as follows:

- A. Fine (\$1-\$99)
- B. Reprimand **NOTE:** A reprimand against an SCCA member shall be noted in his license file.
- C. Fine (\$100-\$249)
- D. Loss of event points
- E. Fine (\$250) **NOTE:** All fines must be in whole dollar amounts only.
- F. Loss of Time, Lap, or Finishing Position
- G. Probation of competition privileges

The probation is effective immediately. If available, the SCCA member card should be surrendered to the Chairman SOM or the National Office. If a fine is imposed, the conditions set forth in the probationary license will not be met until the fine is received by the Chairman SOM or the National Office. Any member on probation must notify the event Race Director or Chief Steward prior to his first on track session or beginning his assigned official's responsibilities. Failure to notify the Race Director or Chief Steward is a violation of probation.

1. Length of Probation

Probation may be up to 12 months; or it may be specified as a number of SCCA Road Racing event days or SCCA Road Racing event weekends.

2. Term(s) of Probation

A member on probation may be restricted to competing in his Division; limited to competing in certain types of levels of events; or required to perform specified event related activities, including attending an SCCA Drivers' School. Participating in SCCA Test Days or SCCA events that are not sanctioned by SCCA Road Racing will not fulfill probation.

3. Violation of Probation

Failing to comply with the probation terms may result in further penalties assigned by a review committee appointed to hear the violation, by Driver or Official Review, or by the SOM at the event where the violation occurs.

H. Disqualification

An entrant, driver, or car may be disqualified from a competition or an event. Rights to awards, including points, participation and race start credit, in the competition or event are automatically forfeited.

I. Suspension of license privileges

SCCA license privileges for a driver, crew, or official may be suspended for a period of time not to exceed 12 months. A license holder whose privileges are suspended must immediately surrender his license to the Chairman of the SOM, review committee, or Court of Appeals. The suspension is effective immediately. If a fine is imposed concurrently with the suspension, the suspension period will not be completed until the fine is received by the Chairman of the SOM, review committee, or the National Office.

A member whose Competition License has been suspended shall not participate in a Road Racing event using any other grade or form of competition license. When the suspension is the result of a non-compliant vehicle, the infraction shall be noted in the Vehicle Logbook.

The suspension document for a License holder will note whether a member whose license privileges have been suspended may participate in further Road Racing events in another capacity using another type or grade of license.

J. Loss of accrued points - A competitor may be penalized all points accrued during the current season.

K. Expulsion from SCCA - A member may be expelled from the SCCA as provided in the SCCA Bylaws.

7.3. MULTIPLE PENALTIES

Multiple penalties may be imposed. In addition, penalties may be consecutive (for example, 2 month suspension followed by 6 month probation). Both suspension and probation, each for the maximum allowable term, may be imposed for a single violation.

7. Penalties

7.4. PENALTY POINTS

- A. Penalties assessed by the SOM or the Court of Appeals accumulate points on the member's record according to the following schedule:
1. Reprimand 1 point
 2. Fine (\$1- \$249) 1 point
 3. Loss of event points 1 point
 4. Fine (\$250) 2 points
 5. Loss of time, lap, or finishing position 2 points
 6. Probation of SCCA competition privileges 3 points
 7. Disqualification 4 points
 8. Suspension of SCCA competition privileges 6 points
 9. Loss of accrued championship or series points 7 points
- B. The above penalties if imposed by the Race Director or Chief Steward for on-track infractions (ex. Contact, PUY, Failure to follow flag instruction, etc.) incur 1 point automatically in lieu of the stated points in the above schedule. Above penalties imposed for car non-compliance (ex. Illegal part, failure to meet weight, fuel, stall test, etc.) *will not* incur an automatic 1-point penalty if imposed by the Race Director or Chief Steward. If a Chief Steward's Action is protested and the protest is disallowed (upholding the Chief Steward's Action), the SOM may, at their discretion, assign penalty points as listed above. *The Race Director or Chief Steward may impose a 1-point penalty on a competitors competition license for penalties imposed by CSA for especially dangerous or egregious infractions under any general competition rules.*
- C. When multiple penalties result from a single action, only the most severe penalty accrues points.
- D. Automatic penalties are imposed according to the following schedule:

Condition	Automatic Penalty
11-14 points accumulated in consecutive 3 year period	Probation for 6 months or 6 events determined by Divisional Executive Steward
15 or more accumulated in consecutive 3 year period	Suspension of competition privileges for 6 months
Invalid Statement of Facts Affidavit	Event disqualification, 60 day suspension of competition privileges, and 6 penalty points
Refusing to allow teardown in Mechanical Protest, Request for Action, or Chief Steward's Action	Event disqualification, 6 month suspension of competition privileges, \$250 fine, and 6 penalty points
Non-Compliance in the following classes: Formula Enterprise Spec Racer Ford Enterprises Sports Racer	FE/FE2: see 9.1.1.1.2.T. SRF/SRF3: see 9.1.8.E.T. ESR: see 9.1.8.H.18.

NOTES:

- Penalties caused by accumulated penalty points do not themselves result in further points.
- Penalty points expire 3 calendar years from the date they were incurred.

7.5. AMENDMENT OF RESULTS

Whenever a penalty or correction affects the official results, including when a driver or car is disqualified or reinstated, the SOM shall advance or demote subsequent competitors in the finishing order and advise the Chief of Timing and Scoring of any amendment to the results. The results must then be labeled "Revised Official Results" and include the revision date and time.

7.6. PUBLICATION

SCCA has the right to publish that any individual or organization has been penalized, the penalty, and the reasons. An individual or organization included in the notice of penalty has no right to act against the SCCA or against any other individual for publishing the notice or for its contents.

8. STEWARDS' ACTIONS, PROTESTS, AND APPEALS

8.1. TYPES OF JUDICIAL ACTIONS

8.1.1. Chief Steward's Action

The Race Director or Chief Steward may file a Chief Steward's Action (CSA) with the SOM to describe a participant's breach of the GCR or the Supplemental Regulations and the action taken according to 5.12.3. All CSAs must be filed with the SOM within 30 minutes after the results of the final race of the event are posted, although the SOM may approve an extension of time.

8.1.2. Request for Action

The Race Director or Chief Steward may submit to the SOM a Request for Action (RFA) describing a suspected breach of the GCR or the Supplemental Regulations, asking the SOM to investigate and determine whether there was a breach, and what, if any, penalties to impose. The Race Director or Chief Steward cannot submit an RFA for any single violation of the rules for which he has already imposed a penalty allowed in 5.12.3. An RFA resulting from a post-race impound inspection may be submitted within a reasonable time following the discovery of the suspected breach. All other RFAs must be submitted to the SOM within 30 minutes after the results of the final race of the event are posted, although the SOM may approve an extension of time.

8.1.3. Chief Steward's Action Against a Car

The Race Director or Chief Steward may initiate an action against a car for non-compliance using a CSA or RFA. The procedures are the same as when one competitor protests the compliance of another's car (see 8.3.3.), except that the organizer replaces the protestor regarding expenses and the Chief Steward replaces the Chairman.

8.1.4. Compliance Review

A member may request a determination on the compliance of their vehicle or its components by submitting a Compliance Request Form to the Road Racing Department at which time a letter will be entered into the CRB letter log system. Formal rule clarifications may be submitted to the Club Racing Board at www.clubracingboard.com.

- A. The Staff will review the request and must consult with the CRB and other appropriate experts.
- B. The Road Racing Department will schedule in-person inspection of the vehicle or components by a class expert. The expert will submit a written opinion back to Road Racing and the CRB.
- C. The Road Racing Department and the CRB will review the expert's opinion. If required, the CRB may initiate a clarification of the applicable rule(s). Road Racing will then submit a written ruling to the applicant.
- D. A fee will be determined and paid in advance of the inspection. A portion of the fee may be refunded at the discretion of SCCA.
- E. Verification of compliance is based on the GCR as of the date of the written response to the member. The GCR changes monthly, and there is no guarantee of compliance.

8.1.5. Protests

Any entrant, driver, crew, organizer, or official participating in an event may protest any decision, act, or omission of another entrant, driver, crew, organizer, official, or any other person connected with that event whose actions the protestor believes to be in error or which violate the GCR, the Supplemental Regulations, or any condition involving SCCA's sanction of the event, except where exemption from protest is specified elsewhere in the GCR or the event Supplemental Regulations.

8.2. HEARINGS AND JUDGEMENTS

The SOM procedures for RFAs and Protests are the same.

All RFAs and Protests will be heard by the SOM as soon as practical. The parties concerned will be notified when and where the hearing will occur. This may include 3rd parties who were not immediately identified as being involved in the incident(s) in question. Although all parties have the right to call witnesses, they must state their cases in person. Each party or witness must be heard separately and privately.

Unless they are specifically released by the Chairman SOM, all parties must remain at the event until a ruling has been issued. If any party is absent, a judgment may still be rendered, and may by default go against him.

If the SOM are unable to rule immediately after the hearing, all parties will be notified when and how the decision will be conveyed.

All parties shall be bound by the decision, subject only to appeal, as specified in 8.4.

For the purpose of this section, the term "party" means anyone who has protested or been protested, or who is the subject of a Chief Steward's Request for Action, in addition to anyone found to have been involved with and possibly responsible for the incident(s) in question.

8.3. PROTEST PROCEDURES

8.3.1. How to Protest

The following are requirements to protest. A Protest must:

- A. be in writing;

8. Stewards' Actions, Protests, Appeals

- B. must specify the sections of the GCR or Supplemental Regulations that are alleged to have been violated;
- C. be signed by the protestor;
- D. be accompanied by a fee of \$50, if at a U.S. Majors Tour race; \$25 if at a Regional race or Drivers' School. These fees may be returned to the protestor at the discretion of the SOM.
- E. be delivered, with fee, to the Race Director, Chief Steward or to an Assistant Chief Steward delegated to receive Protests, who will promptly convey it to the Chairman of the SOM.
- F. be filed within the time limits specified below, although the SOM may extend the time in cases where the protestor can show that evidence relating to the Protest was not available within the time limit, or where the protestor can show that he was unable to meet the deadline because of circumstances beyond his control.

Protest Type	Time Limit
Validity of an entry Rules compliance of an entrant, driver, or car	No later than one hour before the start of the race session of the competition for the issue in question. Cars in impound may be protested within 30 minutes after any session.
Starting (Grid) position	Within 30 minutes after the grid is posted.
Driver's on track behavior	Within 30 minutes after the end of the session
Race results	Within 30 minutes after results are posted.
Race officials's action or decision	Within 30 minutes after the end of the session OR within 30 minutes of receiving the notification of the official's action.

8.3.2. Reasonable Protests

Properly presented Protests must be reasonable, logical, and based on sound evidence. Reasonable people may differ and a properly presented Protest may not be upheld.

- A. The protest fee will be forfeited if the Protest is not well-founded.
- B. A protestor whose actions are in bad faith or vexatious may be penalized by the SOM as specified in Section 7.

8.3.3. Actions Against Cars

An entrant or driver may initiate an action against a car **in his race group** for non-compliance using a Protest. Only entrants, drivers, or race officials may protest the fuel used in any car in a competition as specified in 9.3. Fuel. A Protest against a car is also a Protest against its driver and entrant. The burden of proof lies upon any participant seeking action against another participant.

The protestor may request that the car be disassembled, inspected, or any other test made, provided he posts a tear down bond (also referred to as "bond") with the SOM sufficient to cover the total expenses of disassembly, inspection, reassembly, and other costs associated with the protest. A Protest may be reduced in scope but not added to at the time the bond is set. Unless the protestor wholly or partially withdraws his Protest, the stipulated inspections will be completed after the bond is set and received.

A claim that non-compliant item(s) offer no performance advantage has no influence on any ruling.

Non-compliant item(s) will be noted in the car's Vehicle Logbook. (See 9.2.1.1.)

A. Setting a Bond

1. The SOM will establish a bond after consulting separately with the protestor and the protested party(ies), with the Chief Technical Inspector, and any others whose advice the SOM believe to be useful.
2. A cost schedule must be established before the inspection can begin. Items covered by the bond may be priced individually, giving consideration to logically linking some items. Or else the bond may be allocated on the basis of an agreed-upon apportionment. Bond apportioning after the fact is not permitted, except where the protestor has withdrawn all or part of the Protest. If the protestor does withdraw all or part of his Protest, the SOM will apportion the costs incurred, including reassembly, up to the point of withdrawal, provided no non-compliance has been discovered.
3. The bond must be paid before the inspection can begin, and must be cash, check, or credit card (Visa, Mastercard, or Discover only).

4. If circumstances warrant, the SOM will require the protested party to post bond and/or sign a repair order with a service establishment to cover the costs of disassembly and inspection. The bond shall be determined in the same manner as a protestor's bond.
5. The SCCA Technical Services Department offers verification services for protest and/or compliance resolution of components and/or assemblies with the following requirements:
 - a. A complete description of the vehicle/engine combination (specifically - make, model, year, VIN #, engine code, displacement, and so on).
 - b. A known stock example of the part in question must be shipped with the protested part. The sample must be the same make, model and year of the protested part.
 - c. The cost for each inspection will be set according to the Road Racing Labor Rate Guide, published on the SCCA website. Provisions for shipping to and from the National Office must also be included in the bond.
 - d. A complete comparison will be produced within 5 working days of receiving the protested assembly and the stock sample, along with all the required information. The outcome will be conveyed to the Chairman SOM via email.

B. Conducting an Inspection

The SOM will oversee the inspection and/or disassembly. They determine which, if any, portions of the inspection and/or disassembly may be observed, and by whom.

Non-compliant items found during inspection and/or disassembly that were not part of the original Protest must be referred to the Race Director or Chief Steward. If additional non-compliant items are found and referred, the protested party will receive no portion of the protestor's bond, regardless of the compliance of the protested component(s).

C. Refusing to Allow Inspection

A driver or entrant of a protested car who refuses to allow inspection is subject to immediate automatic penalty as specified in 7.4.D.

D. Bond Disposition

If the car is found compliant, the protestor forfeits the bond. If the car is found non-compliant, the protestor's bond is returned, and the protested driver or entrant pays the expenses. 8.3.3.A.2. specifies the conditions for apportioning the bond.

E. Time of Disbursement of Bond; Appeal Escrow

The tear down bond shall be sent to the Road Racing Department to hold it in escrow until the time limit to Appeal expires, an Appeal has been rejected, or an Appeal has been decided by the Court of Appeals.

F. Preserving Evidence

1. Documentation – all recorded evidence, such as technical data, inspectors' reports, or measurements must be forwarded to the Club Office.
2. Impounded parts
 - a. The Chairman SOM is authorized to impound parts.
 - b. The Chairman SOM must assure that the chain of evidence is not broken.
 1. All impounded parts must be uniquely and identifiably marked when they are removed from the car.
 2. All impounded parts must remain under the direct control of a licensed Tech Inspector or Steward until they are returned to the competitor or are delivered by a licensed Tech Inspector or Steward into the direct control of a courier service for insured and traced shipping for third-party inspection.
 - c. At an event, components may be returned to the protestee under the following conditions without either party losing the right to appeal.
 1. Both parties must agree in writing to the following:
 - a. The official measuring the part(s) is qualified.
 - b. The proper tool(s) was (were) properly used to take the measurement(s).
 - c. The measurements as documented are not contested.
 - d. The three items above are not subject to appeal.
 - d. Parts found non-compliant
 1. Will be marked as such.

8. Stewards' Actions, Protests, Appeals

2. Will be retained by the SCCA.
3. May be the subject of appeal.

8.4. APPEALS

8.4.1. Right to Appeal

Any participant or organization named as a party to a protest, a Race Director or Chief Steward's RFA; or any member named as a party in a Review Committee, has the right to appeal a decision or penalty imposed upon him or it by the SOM or Review Committee. The Race Director or Chief Steward of an event has the right to appeal any decision or penalty imposed.

8.4.2. Appointment and Jurisdiction

Each year, the Board of Directors, SCCA, Inc., will appoint (5) active and experienced members to the Court of Appeals. At least three (3) members, selected from the members of the Court by its Chairman, shall review any appeal filed under this section and make a final decision. The purpose of the Court is to provide a mechanism to resolve differences by a committee composed of members with individual and collective expertise in racing matters.

8.4.3. Appeal Procedures

A. How to Appeal

The following are requirements to appeal. An Appeal:

1. must be in writing or submitted via the SCCA online submission form;
2. must specify who is appealing; what decision is being appealed; the sections of the GCR and/or Supplemental Regulations which are believed to have been administered inappropriately, unfairly, or inequitably; all information the appellant wishes the Court to consider; and the arguments in favor of the Appeal;
3. must be received by the National Office through the SCCA online submission form, email, or delivery service, and electronically timestamped or US Government postmarked or registered with a carrier service such as UPS or Federal Express or by Express Mail, or email within 10 days after the decision of the SOM or review committee has been delivered to the appellant; (see the front of the book for addresses)
4. must be accompanied by a fee of \$175, payable to SCCA, Inc. A minimum of \$100 of any appeal fee will be retained by the SCCA. If using the online submission form, payment will be due at the time of submission (VISA, MC, DISCOVER accepted). Faxed, mailed or emailed appeals must include a Visa, MasterCard, or Discover account number for payment of the fee or payment must be submitted to the National office within 24 hours. Insufficient funds checks or credit card transactions that are rejected will be grounds for suspension of competition privileges. Any additional fees charged by the financial institution(s) will be assessed to the appellant.
5. may be withdrawn by the appellant, by writing the National Office before a decision is reached. The administrative portion of the appeal fee may be retained at the discretion of the Court of Appeals.

B. Fines, Licenses, Financial Obligations

Before an Appeal will be heard, all applicable following conditions must be met:

1. all fines must be received by the National Office;
2. a competition license surrendered to the Chairman of the SOM or the Race Director or Chief Steward in return for a Probation Letter must be received by the National Office; and
3. any other financial obligation to the SCCA, Inc., or to any Region as reported to SCCA by the Region, must be received by the National Office.

All fines must be paid in cash or by check.

C. Stay of Decision

An Appeal filed on a penalty of suspension of competition privileges or expulsion from the SCCA imposed by the SOM or other review permits the appellant to participate in subsequent races, until his Appeal has been decided and the decision announced by the Court. The results and awards from these races are Provisional until the Court's ruling upholds or overturns the suspension or expulsion, at which time the results and awards will be Final and Official. If the Court upholds the suspension or expulsion, the appellant's awards from races run while awaiting the Court's decision will be null and void. Race results for those events will be revised to expunge the appellant's information from the Final and Official Results.

D. Multiple Sanction Weekends

On a multiple event weekend, (i.e., where more than one Road Racing sanction number has been issued, in any permitted combination of events), an individual whose competition privileges are suspended as specified in 7.2.I. may file a Notice of Intent to Appeal, accompanied by the appeal fee, with the Chairman of the

SOM, and be allowed to participate in an event that weekend whose sanction number is different than the one under which he was suspended. The Appeal shall be filed within ten days of the date the decision of the SOM was given to the appellant. THIS APPEAL CANNOT BE WITHDRAWN. The appellant may participate in subsequent events until the Court conveys its ruling.

If an individual's competition privileges are suspended by the SOM during a single sanction weekend, he is prohibited from further competition activities during that event from the time he receives their decision. At a single sanction weekend, the SOM may not accept A Notice of Intent to Appeal for any reason at any time.

E. Reasonable Appeals

Properly presented Appeals must be reasonable, logical, and based on sound evidence. Reasonable people may differ on the interpretation of the evidence. An Appeal may be properly presented even if the decision of the SOM or review committee remains unchanged or is overturned by the Court.

8.4.4. Hearing Appeals

All properly filed Appeals will be heard by the Court. The Court will review the SCCA Official Observer's Report, the Notice of Appeal, containing all the evidence the appellant wishes the Court to consider, and will make appropriate inquiries before coming to a decision. It may require the appellant to submit additional evidence necessary for it to reach an equitable decision; hear directly evidence from any person it believes has pertinent information or necessary data; permit other parties to the issue under appeal to make written comments on the Notice of Appeal; and/or seek information from any other source. The Court shall make every effort to come to a conclusion and convey a final written decision on each Appeal within 30 days of receiving the Notice of Appeal.

No member of the Court may consider the Appeal if he has participated in the event under review as a competitor or official, or if he is directly or indirectly interested or involved with the matters under consideration.

The Court shall determine the procedures for hearing appeals, and these procedures are not subject to appeal.

8.4.5 Judgment of the Court of Appeals

- A. After considering all relevant material, the Court shall meet privately, reach a conclusion, and prepare a written decision. Actions of the Court may include, but are not limited to, the following:
 1. The penalty or other action should be nullified, mitigated, affirmed, increased, or a different penalty imposed.
 2. The Court may order a rehearing by the original SOM, or if warranted, request the Chairman of the Stewards Program to appoint a new SOM made up of Executive Stewards and a driver representative from outside the division the appeal originated from to rehear the original action.
- B. The Court may not order a competition to be re-run.
- C. At no time shall the Court of Appeals act as a Chief Steward, SOM, or Review Committee.
- D. Penalties imposed by the Court incur automatic penalty points as specified in 7.4.
- E. The Court may or may not return appeal fees; and it will determine the disposition of protest fees and tear down bonds, if any, in cases where the decision being appealed is nullified or otherwise changed.
- F. The Court's decision is final, binding and not subject to further appeals by any party, either inside or outside the SCCA.

8.4.6. Publication and Effect of Decision

The National Office will distribute a copy of the Court's decision to all parties of the Appeal as soon as possible after the decision becomes final and will use its best efforts to publish the final decision as soon as possible. Individuals or organizations referred to in any decision have no right of action against SCCA, or any person publishing the decision, and the decision shall be final and binding. Any penalty imposed by the Court is effective immediately, or as stated in the Court's decision. Penalties involving time, disqualification, or loss of points apply to the event involved, but are effective as of the date of the conclusion of that event. The Court will determine the effective date for a suspension, whether it is affirmed or imposed.

8.4.7. Bad Faith Appeals

An appellant whose actions are in bad faith or vexatious may be penalized by the Court as specified in Section 7.

8.4.8. Appeals Affecting Final Points Standings

For all Runoffs Qualifying Races held less than 28 days before the beginning of the Runoffs, any Appeal affecting Runoffs eligibility, including all evidence, must be received in the National Office within 48 hours after either the receipt of a judgment issued by the SOM or the completion of the event, whichever occurs later. Runoffs invitations to all parties named in or affected by the Appeal will be held until the Appeal decision is final. An "intent to appeal" will not be accepted. This section supersedes any other time allowances for filing an Appeal.

NOTES:

9. CARS AND EQUIPMENT

9.1. CATEGORIES AND CLASSES

All cars competing in SCCA sanctioned races must comply with the requirements of the GCR.

There are 3 types of SCCA classes.

A. U.S. Majors Tour Eligible Classes

U.S. Majors Tour Eligible classes are those listed below which are not designated "Regional Class(es) Only".

A Spec MX-5 Challenge Series Class (for the Mazda's Spec MX-5 v2 race car) may be added to select Super Tour events with the approval of the Head of Road Racing.

B. Regional Classes

Regional classes are identified in the list below.

C. Optional Regional Classes

1. Organizers may develop classes of cars to accommodate local demand and interest. Preparation rules must meet the General Technical Specifications. When changes are made in the local classes, and are approved by the Road Racing Department, it is the organizer's option to include these classes in events defined in 3.1.2.
2. In addition, organizers may include either or both of the following Optional Regional Classes in their events defined in 3.1.2.
 - a. Super Production Class (SP) (Optional Regional Class): Cars which exceed the preparation limitations of the applicable Production or GT Category Rules but which meet the General Technical Specifications of Section 9.2, 9.3 and 9.4 of the GCR for GT category cars. This includes cars not listed in the GT or Production specification pages, such as FIA homologated production cars.
 - b. Legend Cars (LC) (Optional Regional Class): Cars that are manufactured by 600 Racing and that comply with current Legend Car Rules, published by 600 Racing. An LC competitor must have the current LC Rules at all events. LC should be grouped with cars of similar weight, configuration, and speed potential. Note: Legend Cars are not eligible for any other Road Racing category. Modifications not permitted in the current LC rules render the car ineligible for SCCA Road Racing competition. Legend Cars may run with any DOT 205/60/13 tires.

Cars shall have two (2) red brake lights per GCR Section 9.3. Lights with fifteen (15) watt (minimum) bulbs. Engine breathers shall be equipped with oil catch tanks per GCR Section 9.3. Oil Catch Tanks, Filters, and Breathers. Minimum catch tank capacity shall be one (1) U.S. quart. All cars shall be equipped with a master switch (per GCR Section 9.3. Master Switch) easily accessible from outside the car. It should be located in the rear window just behind the "B" post on the right side. All cars are required an on-board fire system per GCR Section 9.3. Fire System. All cars shall be equipped with a fuel cell meeting the specifications of GCR Sections 9.3. Fuel Cell Specifications. All suspension Heim joints shall be captured with a flat washer(s). Arm restraints are required in all Legends Cars. A current Legends Car Rules is required to be in the possession of each entrant. Legends Cars are specifically exempt from GCR 9.3. Exhaust System, 9.1.9.A.2.d.1 (as it applies to tire protrusion from the fenders), and 9.3. Window Safety Nets.

The abbreviations in parentheses are the class identifications as required in 9.3.29. Identification Markings.

9.1.1. FORMULA CATEGORY CLASSES

Formula Atlantic	(FA)
Formula Continental	(FC)
Formula Enterprises	(FE) Regional Class
Formula Enterprises 2	(FE2)
Formula Vee	(FV)
Formula F	(FF)
Formula 600	(F6)

9. Cars and Equipment

Formula X	(FX)	
Formula S	(FS)	Regional Class
Formula First	(FST)	Regional Class

9.1.1 continues in the Formula Category Rules.

9.1.2. GRAND TOURING CATEGORY CLASSES

GT-1	(GT1)	
GT-2	(GT2)	
GT-3	(GT3)	
GT-Lite	(GTL)	
GT-A	(GTA)	Regional Class
GT-X	(GTX)	

9.1.2 continues in the GT Category Rules.

9.1.3. IMPROVED TOURING CATEGORY CLASSES (Regional Classes)

R	(ITR)	
S	(ITS)	
A	(ITA)	
B	(ITB)	
C	(ITC)	

9.1.3 continues in the Improved Touring Category Rules.

9.1.4. SUPER TOURING CATEGORY CLASSES

Super Touring Under	(STU)	
Super Touring Lite	(STL)	

9.1.4 continues in the Super Touring Category Rules.

9.1.5. PRODUCTION CATEGORY CLASSES

E Production	(EP)	
F Production	(FP)	
H Production	(HP)	

9.1.5 continues in the Production Category Rules.

9.1.6. SEDAN CATEGORY

American Sedan	(AS)	
----------------	------	--

9.1.6 continues in the American Sedan Category Rules.

9.1.7. SPEC MIATA CLASS

Spec Miata	(SM)	
------------	------	--

9.1.7 continues in the Spec Miata Class Rules.

9.1.8. SPORTS RACING CATEGORY CLASSES

A Sports Racing	(ASR)	Regional Class
Prototype 1	(P1)	
Prototype 2	(P2)	
Spec Racer Ford	(SRF)	Regional Class
Spec Racer Ford 3	(SRF3)	

9.1.8 continues in the Sports Racing Category Rules.

9.1.9. TOURING CATEGORY CLASSES:

Touring 1	(T1)
Touring 2	(T2)
Touring 3	(T3)
Touring 4	(T4)

Touring 5 (T5) Regional Class

9.1.9 continues in the Touring Category Rules.

9.1.10. B-SPEC CATEGORY CLASSES

B-Spec	(B-Spec)
--------	----------

9.1.10 continues in the B-SPEC Category Rules.

9.1.11. CARS RUN IN THE PROPER CLASS

- A. All cars shall race in their respective classes.
- B. Cars should not be run in classes and/or categories for which they were not designed or intended. For non-Runoffs eligible classes, the Race Director or Chief Steward must approve the proposed classification. He will not approve if the car is so dissimilar or the car/driver combination otherwise unsuitable that it is a hazard or impediment to fair competition among the other cars in the class and race group.

9.1.12. RUNOFFS-ELIGIBLE CLASS PARTICIPATION REQUIREMENTS

- A. Annually, the Club Racing Board shall review participation numbers for Majors and Runoffs classes. Classes that do not maintain sufficient participation numbers will have one year to improve their participation level. If the class does not improve, it will be either incorporated into an existing class or become a Regional only Class. All Runoffs-eligible classes participating in Majors events will not automatically be invited to the Runoffs (See 3.7.4.C Invited Runoffs Classes)
- B. A Regional Class (except Improved Touring) may be reviewed by the CRB to become a Runoffs-eligible Class able to participate in Majors.
- C. The CRB may recommend creating Runoffs-eligible classes for BoD approval. Runoffs-eligible classes, created under this section, will have at least three years to achieve sufficient participation numbers in Runoffs-eligible races before being consolidated or redefined as a Regional Class.
- D. The CRB may designate a Runoffs Demonstration Class that would be eligible for the current Runoffs, only.
- E. Participants competing in a Runoffs-eligible class whose car is re-classified or dual-classified into a new class during the course of the current U.S. Majors Tour season may request a transfer of U.S. Majors Tour participation credit (weekend and start credits) for the purpose of Runoffs qualification. The participant may request that the participation credits from the first class be transferred to the second class. Points will not be transferred, and they will be removed from their respective point standings upon race participation transfer. Transfer will only be done upon written request to the Road Racing department (see email address at front of book), no later than the first Wednesday following the final U.S. Majors Tour event of the current season.

Note 1: For the purposes of this section, the term “entries” is defined as drivers classified in the final official race results of Runoffs-eligible races as finishers, did-not-finish (DNF), did-not-start (DNS), or disqualified (DQ).

Note 2: Classes such as Improved Touring, Super Production, A Sports Racing, and Formula S (Regional and Optional Regional Classes) have been developed for competitors to race at a Regional level. These classes will not be eligible for National races since they were created with the express understanding that they remain Regional Classes only. There may be other classes added to this philosophy, as we identify classes for our members to race cars that do not fit within our Runoffs-eligible racing program.

9.2. VEHICLE DOCUMENTATION**9.2.1 VEHICLE LOGBOOKS**

Each car shall have a complete and up-to-date logbook.

- A. The standard SCCA Vehicle Logbook will be used by all competitors at all SCCA competitions, unless excepted in the Supplemental Regulations for an event shared with another sanctioning organization,

9. Cars and Equipment

or as specified in 9.2.1.D.

All unissued Vehicle Logbooks must remain in the possession and control of a Divisional or National Technical Inspector.

- B. Only one logbook will be issued for each vehicle (except as a continuation of the original or a replacement). When a continuation logbook is issued, the date the initial logbook was issued must be written on the front page of the continuation logbook. (It is not necessary to present all old logbooks for issuance of annual inspection stamp or a tech sticker.) Possessing two logbooks for one vehicle is a breach of the rules under 2.1.3.
- C. A complete description of the vehicle, its safety roll bar/roll cage, and the required photographs must be present in the places provided. All changes of ownership of the vehicle must be recorded.
- D. ASN Canada FIA Vehicle History Logbooks will be accepted at all SCCA events.
- E. The Vehicle Logbook must be issued by a Nationally licensed Technical Inspector, who will complete the required vehicle information in the front and back of the logbook. He will conduct a thorough inspection of the vehicle, as provided in Section 9.3, General Technical and Safety Specifications. The logbook issue date is the date of registration.
- F. Identity Numbers:
 - 1. Each vehicle shall be issued an identity number which will be permanently stamped on its roll bar, and which will correspond to the number on the Vehicle Logbook.
 - 2. The first digit(s) corresponding to the region's identity number will be separated from the balance of the numbers by a dash (-).
 - 3. The car numbering system, beginning with 001, shall be issued consecutively as the vehicles are registered during a thorough inspection.
- G. All Formula and Sports Racing Cars may be required to be homologated by SCCA and issued a Certificate of Approval. Refer to section 9.2.2. for details. Exceptions are Spec Racer Ford, Spec Racer Ford 3, FE, FE2, ESR, and Shelby Can-Am. The original certificate shall be presented along with the car for issuance of a new Vehicle Logbook. Additionally, former Spec Racer Renaults may compete in Vintage/Historic events using their originally issued logbook.
- H. At each event, this Logbook and the Certificate of Approval (for cars required by these rules to have one) must be presented at Technical Inspection with the signature of the driver/entrant for that event in the space provided. During Technical Inspection, any deviations in compliance shall be noted in the logbook by the Technical Inspector. The Race Director or Chief Steward may issue a waiver for the noted compliance deviation for the current event only by making a notation in the competitor's log book. Competitor must remediate before any subsequent events.
- I. If a car is protested or inspected during an event and found to be non-compliant, the results of this protest or inspection must be noted in the logbook by the Chairman SOM, or another delegated official, such as the Chief Technical Inspector. (See 8.3.3.)
- J. If a car is involved in an accident or is damaged as a result of mechanical failure, the damage must be noted in the Vehicle Logbook by the accident investigator or Chief Technical Inspector.
- K. Cars found to be underweight at impound are subject to penalty and the weight shall be noted on the next page of the Vehicle Logbook.
- L. If the logbook is not available at Technical Inspection, the car may compete only after a thorough inspection of the car is completed, during which all details required to issue a logbook are recorded.
- M. A car may be entered in multiple classes within a single sanction numbered event. A single Vehicle Logbook is required, but it must contain pictures of each configuration.

9.2.2. HOMOLOGATION REQUIREMENTS

All Formula, Sports Racing, P1 and P2 cars shall be constructed in strict accordance with the rules and regulations contained in the current GCR unless specifically excepted. Cars registered prior to January 1, 1983 do not require homologation certificates.

Cars which do comply with the design criteria set forth for roll hoops (GCR 9.4.5) do not require a homologation certificate. Cars which do not comply with the design criteria set forth for roll hoops (GCR 9.4.5) may submit an application to the Road Racing Technical Manager as defined in GCR 9.4.5.F. The Road Racing Technical Staff, may deny any application for a configuration which is not compliant with the rules, which incorporates design characteristics or conditions that are fundamentally divergent from standard safety considerations or is otherwise incompatible with the relevant class structure or philosophy. A fee to be determined by the Road Racing department shall be assessed for all such applications.

Cars which are excepted from the published design criteria, shall at all times have available for examination a current logbook, a copy of the letter of exception from the Road Racing department and supporting engineering documentation. Cars which have previously been issued Homologation Certificates may satisfy this rule by presentation of said certificate or a copy.

All cars are subject to inspection for compliance with the data which was submitted in support of the alternative roll structure. The existence of a Homologation Certificate or letter of exception from the Road Racing department is not conclusive evidence of rules compliance.

9.3. GENERAL TECHNICAL AND SAFETY SPECIFICATIONS

The points covered at Technical and Safety Inspection shall be:

9.3.1. ACCUMULATORS (e.g., Accusumps)

An accumulator (e.g., Accusump) may be installed (except for Spec Miata). Location is free, but it shall be securely mounted within the bodywork. All oil lines that pass into or through the driver/passenger compartment shall be of metal braided hose (e.g., Aeroquip).

9.3.2. ACTIVE SUSPENSIONS AND TRACTION CONTROL SYSTEMS

Active suspensions and traction control systems, as installed by the automobile manufacturer and unmodified, are allowed only in Touring.

9.3.3. ADVERTISEMENTS AND GRAPHICS

Advertising and graphics (names, symbols and logos) may be displayed on cars provided they are in good taste and do not interfere with identification marks and SCCA logos.

9.3.4. AERODYNAMIC SKIRTS

Aerodynamic skirts are prohibited in Road Racing.

9.3.5. ALL-WHEEL DRIVE

Four wheel (All-Wheel) drive is prohibited except in Touring, Improved Touring, Super Touring.

9.3.6. APPEARANCE NEAT AND CLEAN, AND SUITABLE FOR COMPETITION

Specifically, cars that are dirty either externally or in the engine or passenger compartments, or that show substantial bodywork damage, structural or surface rust, or that are partially or totally in primer, or that do not bear the prescribed identification marks shall not be approved for competition.

9.3.7. BALLAST

Ballast may be added to all cars as required, to meet minimum weight, provided it is securely mounted within the bodywork and serves no other purpose.

9.3.8. BATTERIES

Battery location is unrestricted within the bodywork (except Spec Miata, Touring 2-4, B-Spec, and Improved Touring). If located in the driver/passenger compartment, vented wet cell batteries shall be in a nonconductive marine type container or equivalent. The hot terminal shall be insulated on all cars. All batteries (on-board power supplies) shall be attached securely to the frame or chassis structure independent of the marine type container.

9.3.9. BODY PANELS

Body panels shall be securely mounted. Fender skirts and hub caps shall be removed. The hood and engine compartment shall be securely fastened. Hood fasteners must be removable with simple tools; no fastener requiring a key to open it is permitted.

9.3.10. BRAKES

Shall be pedal-operated, working directly on each wheel, and in good working order. Rolling brake tests are prohibited. ABS or Anti-lock braking systems are not allowed except in Touring, B-Spec, GT1-ST, GT2-ST, GTX, Super Touring, or where specified in individual class rules or spec line. To satisfy this rule, the ABS shall

be disabled by removing all of the wheel sensors.

9.3.11. CAMERA AND CAMERA MOUNTS

- A. All cars competing at *Regionals, Conference Majors*, Super Tour events, and the SCCA Runoffs must have a forward-facing camera that is recording at all times while on track and provides a clear horizontal field of view of the cars and track ahead. The cameras may be mounted either inside the car, or on the body. If video is needed as part of an investigation of an incident, a competitor's video of the full unedited session may be requested by race officials regardless of whether or not said competitor was involved in the incident. Failure to provide such video may result in penalties. Forward-facing cameras are recommended at all other SCCA-sanctioned events. The video format must be a digital file so it can be viewed in an MS Windows compatible viewer.
- B. The mounts for video / photographic cameras shall be of a safe and secure design. The body of the camera or recording unit that weighs more than 8 oz shall be secured at a minimum of 2 points on different sides of the camera body. Suction cups or elastic mounts are not permitted. If a tether is used to restrain the camera, the tether length shall be limited so that the camera cannot contact the driver.

9.3.12. CARBURETOR FUEL INLET FITTING

On all carburetors (except SU, Sports Racing cars with motorcycle-type carburetors, *F600 two-cycle* Mikuni VM38, and F600 *motorcycle-engine* cars) *equipped* with a non-threaded fuel inlet fitting, the fitting *must* be replaced by drilling and tapping the carburetor body for a threaded fitting.

9.3.13. COOL SUITS

Cool suits are allowed in all classes. Water tank mounts shall be of a safe and secure design.

9.3.14. COOLANT CATCH TANKS

Cooling systems shall be equipped with coolant catch tanks to prevent the spillage of coolant onto the racing surface. An oil catch tank with a minimum capacity of one U.S. quart may also serve as the coolant catch tank, except for cars that are equipped with working OEM pressurized coolant reservoirs, which may use an additional catch tank. If the coolant catch tank is separate from the oil catch tank, the coolant catch tank shall have a minimum capacity of one U.S. pint.

9.3.15. CRYOGENIC TREATMENT

Cryogenic treatment of components is allowed unless specifically prohibited in the category or class preparation rules.

9.3.16. DATA COLLECTION DEVICES

Data collection devices are considered to be instrumentation and are therefore allowed in all classes that permit the installation, replacement or addition of gauges, indicators or instruments.

- A. Driver Data Collection - Data collection devices are considered to be instrumentation and are therefore allowed in all classes that permit the installation, replacement or addition of gauges, indicators or instruments.
- B. Official Data Collection - The Club Racing Board uses SCCA data acquisition devices to assist in performance balancing. Race Data Technicians assist in placing the SCCA data acquisition devices at events. If selected, drivers' participation is not optional and is not protestable. The data collected will not be used for compliance purposes. All cars carrying an SCCA data collection device shall report to impound immediately after their sessions.

9.3.17. DETACHABLE PANELS/SUNROOFS

Detachable hardtops, detachable panels (sunroofs), and detachable doors (e.g., Lotus 7) shall be removed, unless authorized in the Category Rules or Specification Book for that car to remain in place. All glass panels in the roof must be removed. Movable or removable metal or composite panels in the roof may be either removed or positively secured in the closed position. Any openings in the roof resulting from the removal of a panel must be covered with panels of stock contour made of the same material as the stock surrounding roof structure.

9.3.18. DRIVER'S RESTRAINT SYSTEM

All drivers in SCCA sanctioned speed events shall utilize either a 5, 6, or 7 point restraint harness meeting the following specifications. A 7 point restraint harness is recommended. Arm restraints are required on all open cars including open Targa tops, sunroofs and T-tops. Arm restraints shall not be worn in a manner which limits the ability of the driver to provide visible signals to other competitors while on track. The restraint system

installation is subject to approval of the Chief Technical Inspector.

- A. The shoulder harness shall be the over the shoulder type. There shall be a single release common to the seat belt and shoulder harness. When mounting belts and harnesses it is recommended that they be kept as short as reasonably possible to minimize stretch when loaded in an accident.

The shoulder harness shall be mounted behind the driver and supported above a line drawn downward from the shoulder point at an angle of 20 degrees with the horizontal. The seat itself, or anything added only to the seat shall not be considered a suitable guide. Guides must be a part of the roll cage or a part of the car structure.

Only separate shoulder straps are permitted. ("Y" type shoulder straps are not allowed.) "H" type configuration is allowed.

- B. The single anti-submarine strap of the 5 point system shall be attached to the floor structure and have a metal to metal connection with the single release common to the seat belt and shoulder harness.
- C. The double leg straps of the 6 point or 7 point system may be attached to the floor as above for the 5 point system or be attached to the seat belt so that the driver sits on them, passing them up between his legs and attaching either to the single release common to the seat belt and shoulder harness or attaching to the shoulder harness straps. It is also permissible for the leg straps to be secured at a point common to the seat belt attachment to the structure, passing under the driver and up between his legs to the seat belt release or shoulder harness straps.

All straps shall be free to run through intermediate loops or clamps/buckles.

- D. Each seat (lap) and shoulder belt of the harness (5, 6, or 7 points) shall have an individual mounting point (i.e. 2 for seat belt and 2 for shoulder belt minimum). 6 or 7 point system anti-submarine straps may share a mounting point with one or both seat (lap) belt(s). The minimum acceptable bolts used in the mounting of all belts and harnesses is SAE Grade 5/Metric 8.8. Mounting hardware, including eye bolts, as provided by the belt manufacturer, may also be used for mounting belts and harnesses. Where possible, seat belt, shoulder harness, and anti-submarine strap(s) should be mounted to the roll structure or frame of the car. Where this is not possible, large diameter mounting washers or equivalent should be used to spread the load. Bolting through aluminum floor panels, etc., is not acceptable. Holes in the roll cage to accommodate the installation of the harness must be bushed and welded completely.
- E. All driver restraint systems shall meet one of the following: SFI specification 16.1, 16.5, or FIA specification 8853/98, 8853-2016 or 8854/98.

1. Driver restraints must meet one of the following specifications Effective 3/1/2023:

a. SFI 16.1 or 16.5 – labels display the specification number, expiration month and year, and expiration final date of either June 30th or December 31st of the expiration year. SFI labels, with June 30th expiration dates, are good until December 31st of the labeled expiration year.

b. FIA 8853/2016 – labels display an expiration date.

2. If a restraint system has multiple labels, the label with the latest expiration date is acceptable.

3. If a restraint system has more than one type of certification label, the label with the latest expiration may be used.

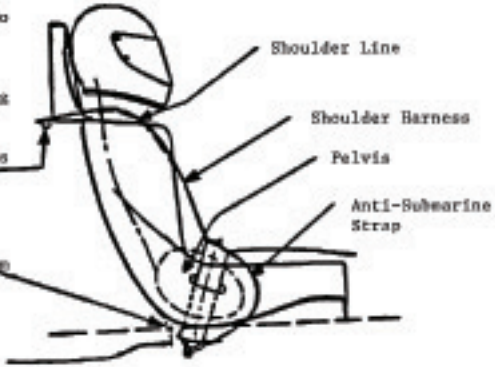
- F. Harness Threading: Assemble in accordance with manufacturers instructions. If no manufacturer instructions are given, use the methods shown in Figures 2-6.
- G. Snap-in mounting clips must be pinned to help prevent inadvertent opening of the clip if the manufacturer has provided a hole for such purpose.

Shoulder Harness
Should Be Installed
90° To Spine At
Shoulder Line To
Minimize
Compression
Injuries Under
High "C" Loading

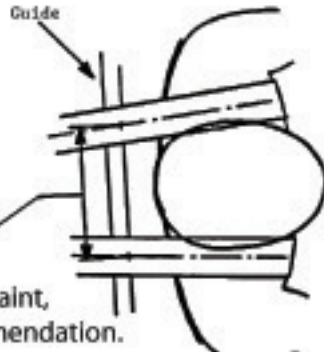
Figure 1

Shoulder Harness
Guide
Or Anchorage

Seat Back/Bottom
Junction



3.0 Min/Max To Centerline
Of Lap Belt At Seat Back
Seat Bottom Junction
Lap Belt Should Continue
In Straight Line To Anchorage



4-6" max at guide or anchorage-
when using a head and neck restraint,
follow the manufacturer's recommendation.

Figure 2

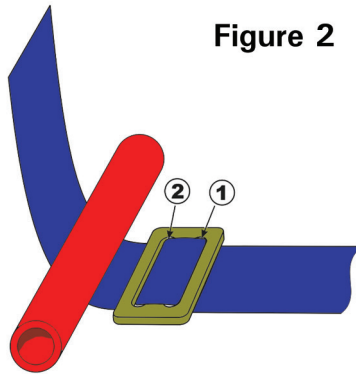


Figure 3

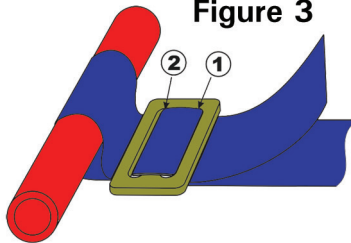


Figure 4

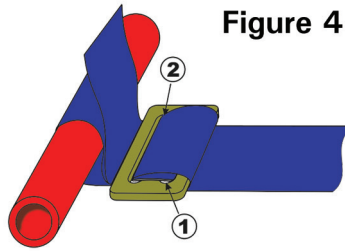


Figure 5

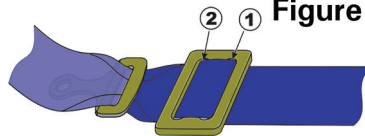
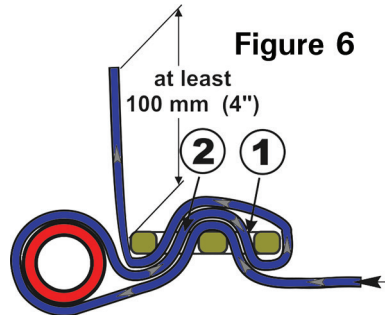


Figure 6



9.3.19. DRIVER'S SAFETY EQUIPMENT

All required driver's safety equipment must be worn at all times while on track. The participant agrees that the participant bears the ultimate responsibility at all times to ensure the safety of participant's driver's safety equipment, and compliance with all SCCA rules, regulations, and agreements, including but not limited to those contained in the GCR.

A. Annual Inspection

At or before the first event of the calendar year, all driver's safety equipment will be inspected by a licensed scrutineer. The scrutineer performing the inspection shall affix a dated, non-removable sticker or decal on the left side of helmets that comply with Section 9.3.19.C.2., to indicate that all driver's safety equipment has been inspected and is in compliance with this section. This sticker or decal, which shall be placed on the helmet in a manner such that it is visible from outside the car with the driver seated and belted in the normal driving position, may be checked by grid or scrutineering personnel on the starting grid. The presence of other externally visible driver's safety equipment (gloves, balaclava, and suit) may also be checked by grid or scrutineering personnel on the starting grid.

B. Reinspection

Throughout the racing season, a check of the condition and legality of driver's safety equipment should periodically be done by scrutineers in impound by group or class with the concurrence of the Race Director or Chief Steward.

C. Required Equipment

The following required equipment shall be in good condition and free of defects, holes, cracks, frays, etc.

1. Driving suits that effectively cover the body from the neck to the ankles and wrists. One piece suits are highly recommended. All suits shall bear an SFI 3.2A/1, SFI 3.4 or higher certification label or FIA 1986 Standard or FIA Standard 8856-2000 homologation label. Underwear of fire resistant material shall be used, but is optional with suits carrying an FIA Standard 1986 Standard or FIA Standard 8856-2000 label or SFI 3-2A/5 or higher (e.g., /10, /15, /20) certification label.
2. Crash helmets approved by the Snell Foundation with Snell sticker 2015 or later Special Application SA2015/SAH2015, or by the SFI with a SFI Sticker SFI 31.1/2015 or newer, or by the FIA standard 8859-2015 or FIA 8860-2010 or newer. SFI labeled helmets must have a year printed on the label to be valid. Each driver's helmet shall be labeled with a minimum of the driver's name.

9. Cars and Equipment

The use of a head and neck restraint system that has been certified in accordance with SFI 38.1 or FIA 8858-2002 or 8858-2010 is required; an SFI 38.1 or FIA 8858-2002 or 8858-2010 label must be properly affixed to the device. Accident damaged helmets should be sent by the driver or his or her representative to the Snell Memorial Foundation, 3628 Madison Ave., North Highland, CA. 95660 (ph.) 916-331-5073 (attn. Edward B. Becker). Details of the accident should be included. Freon based total loss helmet cooling systems are not allowed.

3. Gloves made of leather and/or accepted fire resistant material containing no holes.
4. Socks made of accepted fire resistant material.
5. Face coverings (balaclavas) of accepted fire resistant material for drivers with beards or mustaches. Hair protruding from beneath a driver's helmet shall be completely covered by fire resistant material. As an alternative to balaclavas, a full helmet skirt of accepted fire resistant material may be used. Double-layer balaclavas are recommended. If balaclavas are used voluntarily, they shall be of accepted fire resistant material.
6. Goggles or face shields, preferably made of new impact resistant materials, for drivers of open cars.
7. A driver's restraint system meeting SCCA standards (See section 9.3. Driver's Restraint System) shall be used at all times while on the track.
8. Shoes, with uppers of leather and/or nonflammable material that at a minimum cover the instep. Ventilation pinholes by the manufacturer are allowed.

9.3.20. ELIGIBILITY

Eligibility for class entered—compliance with the GCR and Specification Books.

9.3.21. EXHAUST SYSTEM

Shall be directed away from the body and shall terminate at or behind a point which is equidistant from the front and rear hubs. Legends Cars exhaust systems must comply with the official Legends Cars technical specifications.

9.3.22. FIRE SYSTEM

All cars shall be equipped with an On-Board Fire System except T3, T4, *T5*, STL, Spec Miata, B-Spec, and Improved Touring.

A. On-Board Fire System Requirements

It is recommended that all cars employ onboard fire systems that meet the following requirements:

- Systems certified to SFI specification 17.1 or 17.2, or
- Those listed by the FIA on Technical List No. 16

The following information must be visible of the unit:

- Certification label
- Capacity
- Type of extinguishing agent
- Weight, or volume, of the extinguishing agent

Cars shall meet the following regardless of registration date:

1. The fire system cylinder shall be securely mounted in such a manner that it can be checked during a technical inspection and may be removed for weighing periodically for compliance to full weight shown on the cylinder. (Weight is without valve assembly.)
2. Manual or automatic release is allowed. The release mechanism shall be within reach of the driver when belted in the car.
3. All on-board fire systems shall be identified with a circle "E" decal.
 - a. In GT and Production cars, two circle "E" decals may be required—one at the release location and the second on the outside bodywork in line with or as near to the release location as

possible.

- b. In Formula and Sports Racing cars, a circle “E” decal shall be located on the outside bodywork as near to the release location as possible.



On Board Fire System Item #2607

4. There shall be a minimum of two nozzle locations—one in the driver’s compartment and one in either the engine area or the fuel cell area. The nozzles shall be suitable for the type of extinguishing agent used.
5. The firing safety pin(s) shall be removed from all on-board fire systems prior to going on track. It is recommended that a warning tag be attached to the safety pin to remind the driver to remove the safety pin before entering the racing surface.
6. All fire systems shall be serviced according to manufacturer’s specifications.

B. Hand-Held Fire Extinguisher Requirements

The following are acceptable for all cars not requiring an On-Board Fire System:

1. Halon 1301, 1211 or Dupont FE-36, two (2) pound minimum capacity by weight.
2. Dry chemical, two (2) pound minimum with a positive indicator showing charge. Chemical: 10 BC Underwriters Laboratory rating, potassium bicarbonate (Purple K) recommended, 1A10BC Underwriters Laboratory rating multipurpose, ammonium phosphate and barium sulfate or Monnex.
3. AFFF (aqueous film forming foam) or equivalent surfactant foam material, 2.25 liter minimum capacity (by volume). All AFFF fire bottles shall incorporate a functional pressure gauge.
4. The fire extinguisher shall be securely mounted in the cockpit. All mounting brackets shall be metal and of the quick release type.
5. The circle “E” decal of 9.3.22.A.3.b (above) shall not appear on cars which have only a hand-held fire extinguisher.

9.3.23. FIREWALL AND FLOOR

Firewall and floor shall prevent the passage of flame and debris into the driver’s compartment. Belly pans shall be vented to prevent the accumulation of liquids, except composite/honeycomb structures. All rear-engined Formula cars are required to have an undertray, from driver’s foot area to the firewall, for protection of legs and torso. Insulation or heat-resistant material may be added to the interior (cockpit) surfaces of the firewall, floor, and transmission tunnel.

9.3.24. FORMULA CAR VISIBILITY

The driver of all Formula cars shall have a field of vision of not less than ninety (90) degrees to either side (total of 180 degrees) with both eyes by turning his or her head, but without lifting his or her head forward or otherwise moving from the normal driving position. Plexiglas or similar uncolored transparent material may be substituted for existing bodywork. “Token” portholes do not satisfy this requirement. Only a structural member such as a roll bar brace or frame tube may interrupt the required field of vision.

9.3.25. FUEL

All cars shall use fuel, as defined below, unless a specific exemption is made in the provisions for a specific category/class.

A. Permitted Fuel

Permitted fuel is herein defined as gasoline or diesel fuel meeting specified dielectric constant standards and not containing any prohibited substance in excess of stated limits. Gasoline is a mixture of refined hydrocarbons. Gasoline is an electrical insulator and its relative effectiveness as an insulator is represented by its

9. Cars and Equipment

dielectric constant (D.C.). The D.C. of gasoline will be measured by an SCCA Fuel Check Meter (Precision Fuel Testing G-01 Fuel Analyzer, Kavlico FT-K01 Fuel Tester, Digatron DT-47FT fuel tester or Digatron FT-64 fuel tester). The 0 (zero) calibration of the SCCA Fuel Check Meter is set against reagent or laboratory grade cyclohexane. Gasoline may be tested and certified at SCCA events by the determination of the dielectric constant using the SCCA Fuel Check meter and through the application of various chemical analyses. If a competitor's fuel is not compliant with the fuel standards below, the Race Director or Chief Steward shall take appropriate action (Chief Steward's Action or Request for Action). In addition, fuel may be subject to laboratory testing.

If a car is required to run diesel fuel, it will be noted on its specification line. Diesel fuels must have a dielectric constant between 2.2 and 4.9 (G-01 or FTK-01) or between 24 and 55 (DT-47FT or FT-64). Diesel fuels are subject to the same restrictions on prohibited substances as gasoline.

Only entrants, drivers, or race officials may protest the fuel in any car to determine compliance with the provisions of these fuel rules. In addition to the standard protest fee, a bond shall be collected from the protestor and the driver or entrant of the protested car. The bond covers the cost of laboratory testing of the fuel sample(s) and transportation costs. The laboratory testing shall be limited to determining the presence of any prohibited substance in excess of the allowed amount. If the test is negative, the protestor's bond will be used to pay the laboratory fees and transportation. If the test is positive (any banned substance present in excess of the stated limits), the protested driver's or entrant's bond will be used to pay the laboratory fees and transportation costs. The unused bond will be returned. In the case of a CSA or RFA resulting in laboratory testing, the organizing Region shall take the role of the protestor. If the laboratory results show that the protested fuel is non-compliant, the Chief Steward or the SOM shall assess appropriate penalties. The amount of each bond is \$250.

Fuel Standards		
Classes	Type	DC max
All other classes	Gasoline with or without added oil	G-01 or FTK-01: 15 DT-47FT or FT-64: 166

The use of nitrous oxide and/or propylene oxide is prohibited. The use of any substance in the following table in excess of the stated limit is prohibited either in fuel or otherwise introduced into the engine.

Chemical Compounds Prohibited or Restricted in SCCA Race Fuels		
Compounds	Examples	Maximum Weight or Percentage By Weight Allowed
Total Aldehydes	Acetaldehyde, Acrolein, Formaldehyde	1.0%
Benzene		0.75%
3,3-dimethyl-1-butene		0.05%
Total ethers except MTBE	1,4 Dioxane, Furan, Tetrahydrofuran	0.05%
MTBE		3.0%
Total Dienes(Diolefins)	1,3 Butadiene, Isoprene	1.0%
Ethanol		10.0%
Total Epoxides	Ethylene oxide, Propylene oxide	0.05%
Methanol		1.0%
Total Metals (elemental,non-lead)	Manganese (e.g.,MMT), Boron, Chromium	0.05 gm/gal
Total Lead (elemental)	Lead (e.g.,TML, TEL)	8.0 gm/gal
Total Nitrogen Compounds	Nitromethane, Nitroethane, Nitropropane, and all aromatic nitrogen compounds such as Nitrobenzene, Ammonia, Amines and their salts, Aniline, Hydrazine, Pyridine, Pyrrole, Benzidine	0.05%
Styrene		1.0%
Total Sulfur Compounds	Dimethylsulfoxide, Thiophene	0.05%

B. Fuel Sample Acquisition

All cars shall be equipped with an accessible sampling port/valve/device located in a fuel line between the fuel tank or fuel cell and the carburetors or fuel injection system or in an unused carburetor port to allow safe acquisition of a fuel sample. If possible, the port/valve/device should be located outside the engine compartment. The sampling port/ valve/device will be installed and used by the competitor to obtain the sample without fuel leaking, spraying or squirting. Siphoning of fuel directly from the fuel tank or fuel cell or removing a hose or line is not allowed.

Competitors whose cars are equipped with a factory fuel pressure test port or who have factory fuel pressure test equipment available are not required to have an additional fuel sampling port, providing the test port is accessible and the competitor obtains the sample without fuel leaking, spraying or squirting.

Competitors will provide all the necessary and appropriate tools to obtain a fuel sample.

A tech observer and manned fire extinguisher will be at the car at the time the sample is taken and the com-

petitor will name the fuel brand and type for notation on the fuel sample bottle label.

9.3.26. FUEL CELL SPECIFICATIONS

All cars must be equipped with a safety fuel cell complying with these specifications, except for Touring, B-Spec, Spec Miata, Improved Touring, American Sedan restricted prep, production-based Vintage cars, and cars where the stock fuel tank is located between the axle center lines and within the main chassis structure (i.e., frame rails, etc.). Stock fuel tank must remain in its stock location, or as otherwise specified in the GCR. All safety fuel bladders shall be constructed and certified in accordance with the FIA FT-3 or higher (FT-3.5, FT-5, etc.) or SFI 28.3 specifications. Fuel cells do not time out and have no expiration date. Alternatively, safety fuel cells shall be constructed in accordance with FIA FT-3 or higher or SFI 28.3 specifications and tested to those requirements by an independent facility as witnessed and certified by a Professional Engineer. The results of these tests shall be submitted to the Road Racing department for inclusion on a list of approved suppliers. All safety fuel cells shall consist of a foam-filled fuel bladder enclosed in a metal container at minimum.

There is no restriction of fuel cell capacity or dimensions of the fuel cell, except where otherwise specified. The installation of more than one cell is permitted.

1. Installation

Internal body panels may be modified to accommodate the installation of fuel cells as long as modifications serve no other purpose. If installation includes encroachment into the driver's compartment, a metal bulkhead must prevent exposure of the driver to the fuel cell. The fuel cell must not be installed any closer to the ground than 6 inches, unless enclosed within the bodywork or OEM floor pan.

- a. There must be a metal bulkhead between the driver/passenger compartment and the compartment containing the fuel cell. This includes fuel cells that are flush mounted with driver/passenger compartment panels or otherwise exposed to the driver/passenger compartment.
- b. Fuel cells must be located within 12 inches of the standard tank. The 12 inch measurement is taken from the perimeter of the stock and alternative fuel cell. Fuel filler location is unrestricted with installation of a safety fuel cell.

2. Container

- a. GT and Production Category

The bladder shall be installed in a container of .036 inch steel, or .059 inch aluminum that fully surrounds the bladder.

- b. Sports Racing Category and Formula Cars

The fuel bladder shall be completely surrounded by a container (which may also be a part of the structure or bodywork of the car) to ensure rigid and secure mounting of the bladder and provide additional protection. A minimum of .036 inch steel, .059 inch aluminum, or an approved equivalent is required for all vehicles.

3. Filler Cap and Vents

A positive locking fuel filler cap (no Monza/flip type) shall be used. Fuel pickup openings and lines, breather vents, and fuel filler lines shall be designed and installed so that if the car is partially or totally inverted, fuel shall not escape. Fuel filler necks, caps, or lids shall not protrude beyond the bodywork of the car.

If the fuel filler cap is located directly on the fuel cell, a check valve is not required, provided the filler cap is a positive locking type and does not use an unchecked breather opening. If the filler cap is not located on the fuel cell, a check valve must be installed on the fuel cell to prevent fuel from escaping if the cap and filler neck are torn from the tank.

Fuel cell breathers, unless otherwise noted, shall vent outside the car. In Formula and Sports Racing cars, fuel cell breathers shall vent outside the cockpit and away from the exhaust but need not vent outside the car.

In Formula and Sports Racing cars registered prior to January 1, 1994, the filler cap and neck are exempt from the bulkhead requirements of 9.3.26.1.a.

Factory installed gas tank evaporative emission control devices must be removed from all Production and GT Category cars. Fuel cell vents must not discharge into the driver/passenger compartments, even if installed that way by the manufacturer. The fuel system cannot vent through the roll bar/roll cage structure.

4. Rotary Molded Cell

The use of rotary molded fuel cells not having a bladder, or not contained in a metal can, is allowable in those cars that do not require the use of a fuel cell, but where they are an allowed option.

5. Fuel Tank Filler Doors

On vehicles where a stock fuel tank is allowed, the unleaded fuel filler trap door and restrictor plate in the filler neck may be removed.

9.3.27. FUEL, OIL, AND WATER LINES

All fuel, oil, and water lines, including gauge and vent lines, that pass into or through the driver/passenger compartment, shall be of steel tube or metal braided hoses or protected by a wall-like bulkhead container (Cool suit lines are exempt). The driver shall not be exposed to header tanks. Heat shielding between fuel/oil lines and fuel/oil filters and exhaust components is strongly recommended.

9.3.28. HAND CONTROLS

Hand controls may be approved on a case-by-case basis. Such approval shall be in writing from the Road Racing Technical Manager and shall be in the driver's possession at all competitions.

9.3.29. IDENTIFICATION MARKINGS

Each car shall carry identification markings per the sections listed below; and any markings required by the Supplemental Regulations.

A. Numbers and Class Letters

Numbers shall be placed on the front and both sides of the car so that they are legible. All Formula cars with a rear wing shall have legible numbers on each rear wing side plate. Numbers may be 1, 2 or 3 digits. 3 digit numbers must start with the number "1". Class letters shall be placed on both sides of the car so that they are legible. Rear numbers and class letters are recommended. Cars running in multiple classes must clearly identify which class and weight they are running. The numeral "1" shall be exclusively reserved for the current national champion in each class for Conference Majors/Super Tour events. The numeral "1" will be reserved until the end of the period for submitting advanced or pre-event entries, and then will be released. If 2 or more national champions are entered in the same run group, the first to enter shall have preference. Duplicate car numbers within the same run group is prohibited. See also GCR section 6.4.1.A.

B. Size of Numbers and Class Letters

Numbers shall be at least 8 inches high, with a 1.5 inch stroke on a contrasting background (rear winged Formula cars shall have as large a number as possible on their rear wing side plates). Metallic (reflective) numbers and class letters are prohibited. The distance between 2 numbers shall be at least as wide as the stroke of the numbers. Class letters shall be at least 4 inches high, with a 1/2 inch stroke on a contrasting background.

C. SCCA Logo

Each driver's suit shall display one of the SCCA logos shown in figure 2. It is preferred that the logo be placed on the upper right side of the driver's suit (see figure 3). Each car competing in an event shall display the official SCCA field logo (see figures 4 and 5) unobstructed and prominently on both sides of the car and adjacent to the side numbers. A third logo shall be displayed on the front of the car unobstructed and prominently near the front number. The logo shall be on the spoiler of cars so equipped. Logos and decals of sanctioning bodies other than SCCA shall be removed or covered (car and driver's suit). Vintage cars when participating in vintage events may use the four (4) inch diameter "SCCA Wire Wheel" in place of the current field logo.

D. Displaying Minimum Weight and Restrictor Size Type

Except for classes in which there is only 1 required minimum weight (e.g., ASR, ESR, FE, FE2, FS, FST, FV, SRF, SRF3), all cars shall display the correct minimum weight specified in the current GCR in a manner that is clearly legible to the scrutineers at the scales. Cars that are run in more than one class must display the correct minimum weight for each class so that it is clear which weight applies to each class. Any car required to run a restrictor must display the restrictor size and type in a manner that is clearly legible to the scrutineers. If the car also displays a minimum weight, it is recommended that the restrictor information be located near the displayed minimum weight. GT2 cars must show displacement, weight, restrictor size and rule set.

E. Disability Identification

If the driver will need assistance getting out of their car, the Mobility & Impairment decal (Figure 1), available in the online store or by calling Member Services, shall be displayed on the driver's door on closed wheel cars and adjacent to the master switch on formula and sports racer type cars.

Figure 1
Mobility and Impairment Decal



Figure 2
Official SCCA Logo



White patch/black letters

Item #3618
(4.5 x 1.75 Inches)



Black patch/white letters

Item #3619
(4.5 x 1.75 Inches)



Item #3632
(3.5 x 1.0 Inches)

SCCA patches for purchase are only available in the monochrome versions shown above. Variations of the SCCA approved logotype may be used in accordance to the logotype graphic standards found at www.scca.com/pages/logotype.

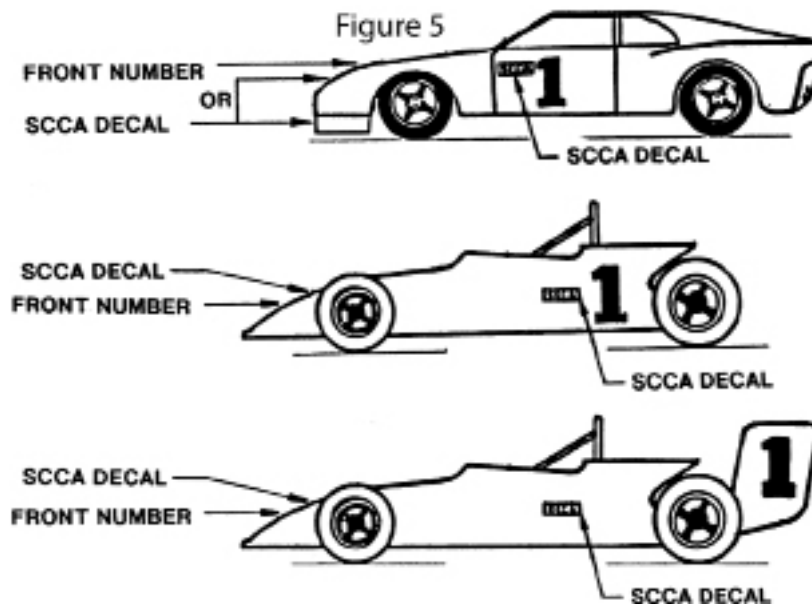
Figure 3
SCCA Uniform Patch (Right Side Preferred)



Figure 4



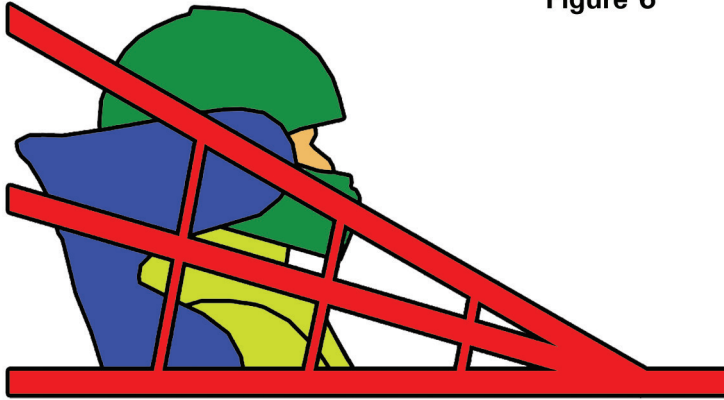
Official SCCA Field Logo



9.3.30. INSIDE NET

An inside net running between the main roll hoop and the dash is recommended for all production-based cars and two-seater Sports Racing cars (see figure 6). It is recommended that the lower strand of the net pass the shoulder and run horizontally from the cage to the dash. The upper strand should pass the Cg of the helmet in the side view. The net should run parallel to the center of the car in plain view and be as close to the seat as possible. It is recommended that the net be tensioned tightly and have a way to quickly disconnect it in case the driver needs to exit through the car in an emergency. Metal collars, or some other equivalent method, should be used to keep the strands of the net from moving along the roll cage. If possible, the recommended mounting method is to wrap the net strands around the back of the seat and attach them to the main hoop up-right. However, teams should consult the net manufacturer to verify their recommended method of mounting.

Figure 6



9.3.31. LEAKAGE AND CAPS

There shall be no visible fluid leaks.

9.3.32. LIGHTS

A. BRAKE LIGHTS

All non-Formula cars shall have two operating red brake lights.

B. RAIN LIGHTS

All cars shall be equipped with rain light(s) clearly visible from the rear. The rain light(s) shall be turned on when directed to by the Race Director or Chief Steward.

1. Non-Formula and Sports Racing cars shall utilize the original equipment red tail lights or the rain light described in 9.3.32.B.2 or both.
 2. All Formula (open wheel) and Sports Racing cars shall be equipped with a red taillight of at least the equivalent illumination power of a 15-watt bulb. This light shall be mounted on the centerline of the car. Light assemblies shall be considered one light for the purposes of this rule, irrespective of the number of individual lamps the assembly may contain. FIA Technical List N 19 rain lights are recommended.
 3. Original equipment tail light assemblies may be used. Light assemblies may perform both rain and brake light functions provided they have two distinct illumination levels. Lights that function as strobe lights are not permitted except in Formula and Sports Racer classes. The taillight may strobe when directed to be used as a rain light.
- C. Exposed glass headlights shall be taped. Rear brake lights may be taped with transparent tape. Turn signals, front parking lights, backup lamps, and side marker lights may be taped or painted. Lights mounted on or below the bumper shall be removed, and all resulting holes shall be covered to prevent air passage through said holes. Lights mounted within the bumper may be removed or covered and any resulting holes shall be covered to prevent air passage through said holes.

9.3.33. LOSS OF BODYWORK

All major body components such as front and rear hoods, fenders, doors, and windscreens shall be maintained in normal position throughout the competition. If loss of bodywork is a safety hazard, the car may be black-flagged. A car completing a competition with bodywork missing may be penalized.

9.3.34. MASTER SWITCH

All cars, except Touring, and B-Spec shall be equipped with a master switch easily accessible from outside the car. Spec Racer Fords (SRF/SRF3) shall be wired per RFSRII. The master switch shall be installed directly in either battery cable and shall cut all electrical circuits but not an on-board fire system. All terminals of the master switch shall be insulated to prevent shorting out. It shall be clearly marked by the international marking of a spark in a blue triangle and mounted in a standard location. Off position shall be clearly indicated at the master switch location. The standard locations shall be as follows:



**Kill Switch
Item #2606**

- A. Formula and Sports Racing Cars–In proximity to the right-hand member of the roll bar, but in a location so that it cannot be operated accidentally. It can be mounted on a bracket welded to the inside of the upright member or mounted so that the operating lever or knob is outside of the body panel immediately in-board of the upright member. This is the standard location on Formula cars built to the Constructor’s Association requirements for Formula 1.
- B. Closed Sports Racing Cars, Production Cars, Improved Touring and GT Cars–In front of the windshield on either the cowl or on top of the fender, but close enough to the windshield to be accessible if the car is overturned. Alternatively, it may be mounted below the center of the rear window or on a bracket welded, clamped or bolted to the roll cage or dash, easily accessible through the open window. (Drilling of holes in roll cage to attach the bracket is prohibited.)
- C. Open Production, GT, and Improved Touring Cars–May exercise a choice among the above locations.
- D. Cars using a lithium-ion battery must display the green and black Lithium Battery decal near the kill switch. Cars without a kill switch (Touring and B-Spec) using lithium-ion batteries must display the green and black decal on the top of the driver side door near the window opening. Small lithium-ion batteries that power auxiliary devices within the vehicle (radios, cameras, data acquisition, etc.) do not require the decal to be displayed on the vehicle.



Note: Decal can be purchased through my.scca.com.

9.3.35. MIRRORS

Mirrors shall provide driver visibility to the rear of both sides of the car.

9.3.36. NON-METALLIC WHEEL/CHASSIS CONSTRUCTION

Non-metallic wheel construction is prohibited. Non-metallic chassis construction is prohibited, except in ASR, P1, FS and FA. New chassis of non-metallic composite construction shall be proven to meet FIA specifications for non-metallic composite chassis prior to being submitted to the SCCA for homologation. Contact the SCCA national office for a list of the relevant FIA specifications/SCCA requirements.

9.3.37. OIL AND OIL ADDITIVES

Any oil or oil additive may be used. Oil additives are defined as: Any liquid or particulate compound(s) delivered into the engine via the engine oil for the purpose of friction/temperature reduction, and/or metal surface conditioning (i.e. PTFE resins (Teflon, “Slick-50”), Molybdenum Disulfide, etc.).

9.3.38. OIL CATCH TANKS, FILTERS, AND BREATHERS

Oil holding tanks and engine breathers, whether directly or indirectly ventilating the crankcase, and all transmission/transaxle breathers shall be equipped with oil catch tanks. The oil catch tank may also serve as the coolant catch tank. Minimum catch tank capacity shall be one U.S. quart for the engine, transmission/trans-

axle, and cooling system. Oil holding tanks and oil filters may be mounted in the driver/passenger compartment.

9.3.39. ROLL CAGE/ROLL BAR

Shall comply with Section 9.4., Driver Protection Structures.

9.3.40. SCATTERSHIELDS/CHAIN GUARDS

The installation of scattershields or explosion-proof bell housings shall be required on all cars (except Spec Miata, Touring, B-Spec, and Improved Touring) where the failure of the clutch or flywheel could create a hazard to the driver. Chain drive cars shall be fitted with a protective case/shield to retain the chain in case of failure.

Minimum material specifications are:

.125 inch SAE 4130 alloy steel

.250 inch mild steel plate

.250 inch aluminum alloy

NHRA or SFI approved flexible shields.

9.3.41. SEATS

The driver's seat shall be a one-piece bucket-type seat and shall be securely mounted, so as to provide fore/aft and lateral support. Passenger seat back, if a folding seat, shall be securely bolted or strapped in place.

Mounting structures for racing seats may attach to the floor, cage and or center tunnel. Seat mounting points forward of the main hoop, between the center line of the car and the driver's side door bar and rearward of the front edge of the seat bottom are not considered cage attachment points in classes with limitations on the number of attachments.

A system of head rest to prevent whiplash and rebound, and also to prevent the driver's head from striking the underside of the main hoop shall be installed on all vehicles. Racing seats with integral headrests satisfy this requirement.

The head rest on non-integral seats shall have a minimum area of 36 square inches and be padded with a minimum of one inch thick padding. It is strongly recommended that padding meet SFI spec 45.2 or FIA Sports Car Head Rest Material. The head rest shall be capable of withstanding a force of two-hundred (200) lbs. in a rearward direction. The head rest support shall be such that it continues rearward or upward from the top edge in a way that the driver's helmet can not hook over the pad.

A passenger seat meeting all the specs of the driver's seat may be installed in the front passenger seat position. The seat may not be occupied during SCCA racing events.

9.3.42. STEERING WHEEL LOCKS

Steering wheel lock devices shall be removed or disabled (except Touring).

9.3.43. STEERING WHEELS

Wood rim steering wheels are prohibited.

9.3.44. SUSPENSION AND STEERING

Suspension and steering shall be of suitable design and in good working order. Four wheel steering is prohibited. Unless specifically permitted, non-metallic suspension control arms, locating links, toe/steering links and pushrods are prohibited.

9.3.45. TIRES

Tires shall be 124 ("U") mph rated or better unless otherwise specified or controlled.

In the Improved Touring, Super Touring, American Sedan, Spec Miata, B-Spec and Touring categories, any U rated, or better, DOT approved tire is required. Re-grooving of *DOT* tires by any method is not permitted once the tire has left the manufacturer. Grooving or re-grooving of non-DOT tires is permitted unless otherwise stated in class-specific rules. Recapping of tires is not permitted in any class. Tire size is unrestricted unless otherwise stated in class-specific rules. The only modifications allowed to DOT tires are having treads "shaved" or "trued."

9.3.46. TIRE

The use of tire warmers or cooling methods other than natural air convection or conduction is prohibited.

9.3.47. TONNEAU AND BOOT COVERS

Tonneau covers and boot covers shall be removed.

9.3.48. TOWING EYES

All cars shall have a towing eye or strap, front and rear, that does not dangerously protrude from the bodywork when the car is racing, to be used for flat towing or hauling the vehicle. These towing eyes or straps shall be easily accessible without removal or manipulation of bodywork or other panels. The minimum ID of the tow eye is 2 inches. The required tow eyes must be strong enough to tow the car from a hazard such as a gravel trap.

The front tow eye may be mounted at any location forward of the windshield, and a hole may be cut in the bodywork for the sole purpose of clearing a protruding tow eye.

Open top cars may use their exposed roll bar for towing purposes. Closed top cars may mount the front tow eye in the driver/passenger side window openings, but it must be attached to the forward roll cage down tube as close to the base of the windshield as possible, and there shall be one on each side of the car. A removable towing eye carried inside the car is not acceptable, except in Formula and Sports Racing cars. In addition, for Formula and Sports Racing cars, if the main hoop is faired in, the fairing shall have access holes to allow the insertion of a bar or strap to allow the car to be lifted by a wrecker.

Rear tow eyes must be accessible rearward of the rear axle centerline.

9.3.49. VENTILATION

Holes for ventilation in quarter or rear windows on Production or GT cars are not allowed, unless specified in PCS or GTCS, respectively.

9.3.50. WEIGHT

All cars shall meet or exceed the minimum weight specified with driver, exactly as they come off the race circuit, at the conclusion of any race or qualifying session

9.3.51. WHEEL FANS

Wheel fans are permitted, unless otherwise restricted.

9.3.52. WHEEL RIM WIDTH

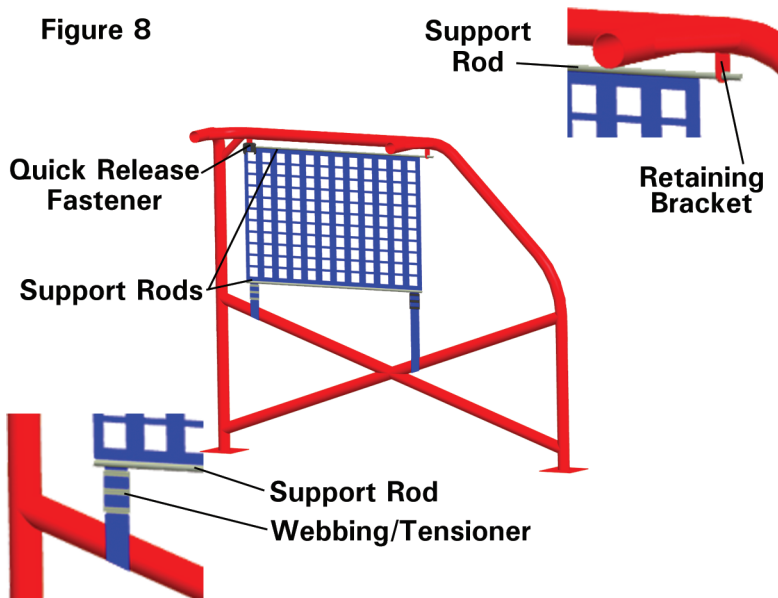
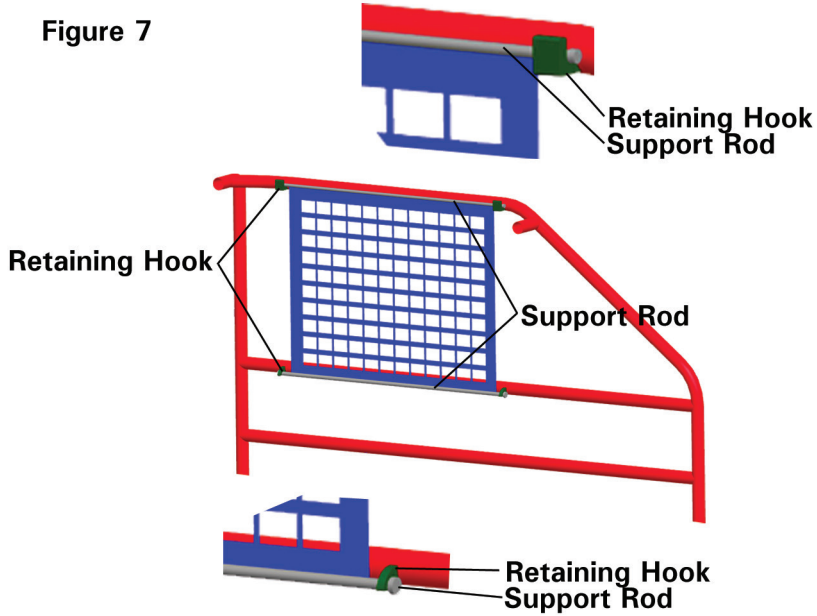
Wheel rim width shall be measured at the base of the bead seat.

9.3.53. WINDOWS

Windows shall be clear or uncolored, except in Production, Super Touring and Touring if no factory or after-market clear windows are available. Officials may require the replacement of windshields that are considered a safety hazard. Factory (OEM Manufacturer) and FIA GT3/GT4, race prepared cars with fixed Lexan front door windows may race with windows as delivered and noted on the Spec Line. All other closed cars shall run with both front door windows fully open.

9.3.54. WINDOW SAFETY NETS

Window safety nets shall be used on the driver's side window of all closed cars unless these are factory (OEM manufacturer) and FIA GT3/GT4 race prepared cars with fixed Lexan front door windows as noted on a Specification Line. All window nets shall meet SFI Specification 27.1., and shall bear an "SFI Spec 27.1., Label" to that effect. Alternatively, window nets that meet the requirements of FIA J253.11 may be used. Competitors must provide proof of meeting the FIA standard, either via certification or physical measurement. (Note: Window nets need not be dated.) The window net shall be equipped with a quick release device and when released it shall fall down, thus not having to be flipped up on the roof. Nets shall be attached to the roll cage; plastic buckles, cable ties, hose clamps, and elastic cords are not permitted. Holes in the roll cage to accommodate either support rod are unacceptable unless bushed and welded completely. Refer to figures 7 and 8, "Proper Window Net Installation," for additional information on mounting methods. Closed cockpit Sports Racing cars may use arm restraints in lieu of a window net. Legends Cars are not required to have window net.



9.3.55. WINDSHIELDS/WINDSHIELD CLIPS/REAR WINDOW STRAPS

Polycarbonate windshields such as Lexan are allowed except in Improved Touring, American Sedan, B-Spec, Spec Miata, T2, T3 and T4. Alternate windshields must be of 6mm minimum thickness.

Windshield safety clips and rear window safety straps are required on all closed cars, except on American Sedan, B-Spec, Spec Miata, Touring, Improved Touring, and Super Touring, where they are optional. Alternatively, no clips or straps are required if polycarbonate windshields and rear windows are securely bolted to the frame. No clips or straps are required if bonded-glass factory windshields and/or rear windows are attached to chassis per original specifications (i.e., glass-bonding adhesive).

3 clips (3 inch x 1 inch x 1/8 inch) shall be bolted or riveted to the body at the top of the windshield.

2 clips (3 inch x 1 inch x 1/8 inch) shall be bolted or riveted to the cowl and extend over the bottom edge of the windshield. Clips shall be spaced a minimum of 12 inches apart.

It is recommended that 3 – 1 inch wide strips of steel or aluminum be installed behind the windshield to support it from collapsing inwards if it becomes damaged. The rear window shall be secured with 2 metal straps (1 inch wide x 1/8 inch thick) bolted or riveted to the body at the top and bottom of the rear window.

9.4. ROLL CAGES FOR GT AND PRODUCTION BASED CARS

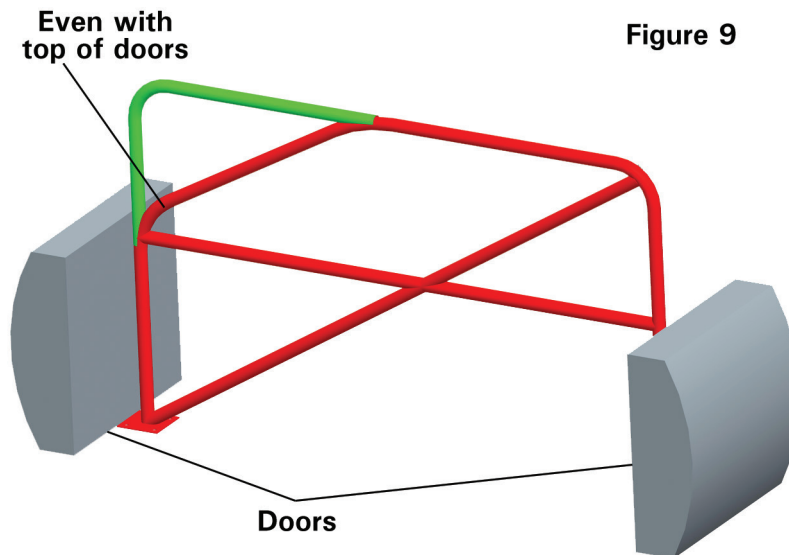
All cars must utilize a roll cage compliant with the following specifications. These specifications apply to all vehicles registered (issued an SCCA logbook) after 1/1/08. Cars registered before 1/1/08 may continue to compete with their previous roll cage as specified in Appendix I or comply with the following specifications. Cars registered as Production class cars prior to 1/1/08 may continue to use their existing roll cage per Appendix J or comply with the following specifications.

A. DEFINITION

The roll cage consists of the main hoop, front hoop, side protection, and braces as specified in these rules.

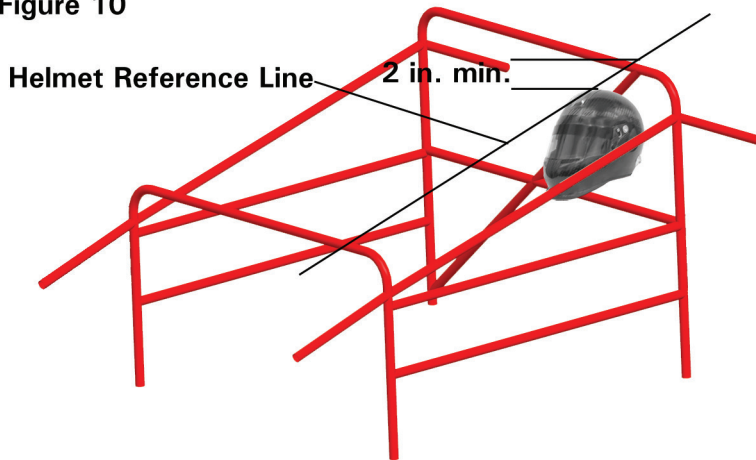
B. MAIN HOOP

1. The main hoop (behind the driver) must be the full width of the cockpit for all cars. It must be one continuous length of tubing with smooth bends and no evidence of crimping or wall failure. The main hoop must maintain a single plane.
 - a. On all closed cars, the main hoop must be as close as possible to the roof and “B” pillars.
 - b. Open cars without the windshield frame may use an asymmetric main hoop. The main hoop must be full width to the passenger side of the car. On the passenger side of the car the hoop must be at least as high as the top of the rear corner of the door as illustrated in figure 9.



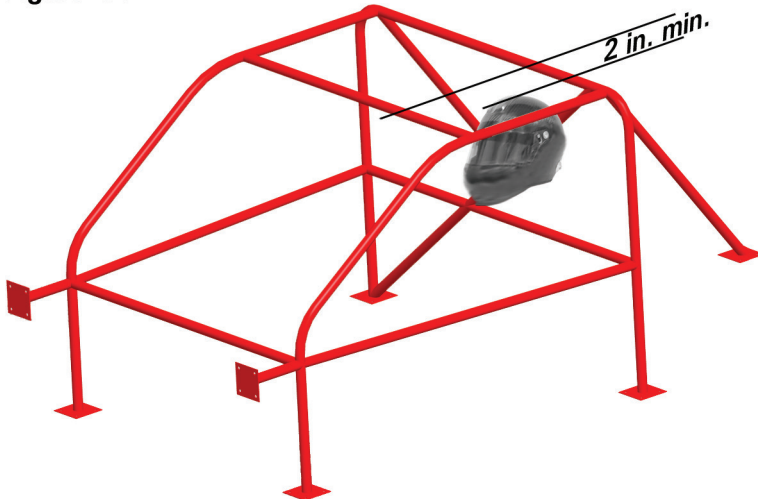
The main hoop must be high enough that a straight line drawn from the top of the main hoop to the top of the front hoop would pass over the driver's helmet and steering wheel when the driver is seated in the normal driving position. Additionally, the top of the main hoop must be at least 2 inches above the driver's helmet as illustrated in figure 10.

Figure 10



- c. On open cars retaining the windshield frame the main hoop must be full height for the entire width of the hoop. The top of the main hoop must be at least 2 inches above the driver's helmet as illustrated in figure 11.

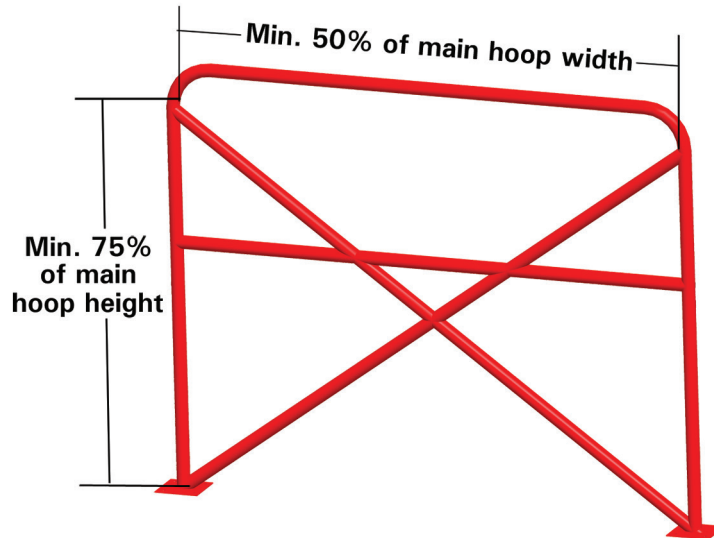
Figure 11



2. Main Hoop Bracing

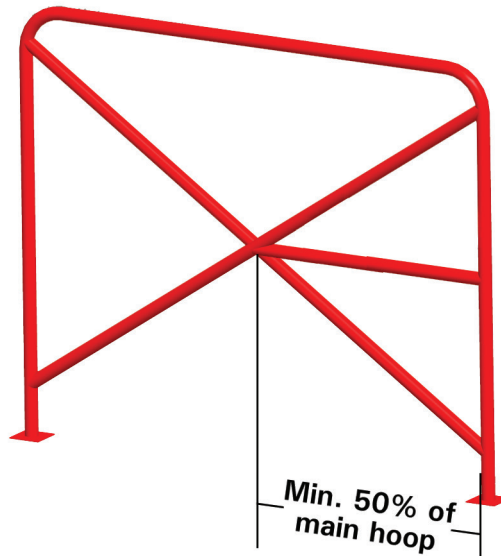
- a. Main hoops shall incorporate a diagonal brace. The brace shall either be in the plane of the main hoop, or extend from the top of one rear brace (described in 9.4.B.2.c) to the bottom of the opposite rear brace. Automobiles with mid mounted engines can have the lower mounting point attach to the frame of the automobile within six inches of the main hoop. In the case of braces in the plane of the main hoop, the brace must span at least 50% of the width of the main hoop, and at least 75% of the height of the main hoop as shown in figure 12.

Figure 12



- b. Cars must incorporate a main hoop horizontal brace at the approximate level of the driver's shoulders but not lower than the shoulder belt mounting point as described in section 9.3. Driver's Restraint Systems. If a double-diagonal "X" brace is used in the plane of the main hoop, a half-width horizontal brace may be used behind the driver's seat to mount the seat back and shoulder harness as shown in figure 13.

Figure 13



- c. Cars must have 2 braces extending to the rear from the main hoop and attaching to the frame or chassis. Braces must be attached as near as possible to the top of the main hoop (not more than 6 inches below the top), and at an included angle of at least 30 degrees.
- d. Open cars must have 2 braces extending forward from the main hoop and attaching to the front hoop, not more than 6 inches below the top of the front and main hoop. It is recommended that the front and rear braces attach to the main hoop as close as possible to each other.

9. Cars and Equipment

- e. On cars where the rear window/bulkhead prohibits the installation of rear braces (e.g. Honda del Sol), the main hoop shall be attached to the body by plates welded to the cage and bolted to the stock shoulder harness mounting points. This installation design must incorporate a diagonal bar connecting the top of the main hoop to the lower front passenger side mounting point (Petty Bar). Alternatively, the rear window may be removed and a clear, lexan replacement installed. The rear cage braces may pass through this replacement window and through the engine cover or bodywork to allow connection to the frame or unibody. Such allowances shall be noted on the car's specification line.

C. FRONT HOOP

1. Roll cages may be of two designs, low front hoop or high front hoop. All closed top cars and cars that retain the windshield frame must have a high front hoop design. Open cars may incorporate a high or low front hoop design. High front hoop are also referred to as side hoops.

- a. Closed cars

The front hoop (side hoop) must follow the line of the A-pillars to the top of the windshield and be connected by horizontal bars to the top of the main hoop on each side (as close to the roof as possible). Instead of a single front hoop, two side hoops (down tubes) may be used. Alternatively, a top "halo" hoop following the roof line from the main hoop to the windshield with forward down tubes following the A-pillars to the floor may be used. Regardless of which one of the two approved tubing configurations there shall be a tube connecting the two A-pillar tubes at the top of the windshield.

- b. Open cars

The height of the front hoop (per section 9.4.B.1.b) must be consistent across the full width of the cockpit.

- c. Front Hoop Bracing

All open cars with a high front hoop and all closed cars except those competing in the T4, Improved Touring, Spec Miata, and B-Spec classes must incorporate a horizontal front hoop brace at the approximate level of the dashboard. It is recommended that cars competing in T4, Improved Touring, and Spec Miata classes also have the front hoop brace.

2. One tube must extend, from each front down tube, forward to the firewall or through the firewall except in vehicles in Improved Touring, Spec Miata, Touring, and B-Spec. This tube, one on each side, must connect to the chassis at a point not more than 12 inches forward of the front axle centerline.
3. Cars competing in Improved Touring, Spec Miata, Touring, and B-Spec may extend one tube, from each front down tube, forward to the firewall, bulkhead or wheel well, but not penetrating any panel.

D. SIDE PROTECTION

Two side tubes connecting the front and main hoops across both door openings are mandatory. Tubes that are welded to any part of the same mounting plate are considered to be connected to one another (see 9.4.E.3 below). NASCAR-style side protection or one bar bisecting another to form an "X" is permitted. Door side tubes may extend into the front door. In Improved Touring, Spec Miata, Touring, and B-Spec the door window glass, window operating mechanism, inner door trim panel, armrest, map pockets, wiring harnesses for door locks, windows, power mirrors, seat wiring, etc., and inside door latch/lock operating mechanism may be removed and the inner door structural panel may be modified, but not removed only if the door bars extend into the door cavity. The stock outside door latch/lock operating mechanism shall not be removed or modified unless specifically authorized in the category rules. All categories except Production and GT shall not remove or modify stock side impact beams unless specifically authorized.

Cars competing in Improved Touring, Spec Miata, T4, and B-Spec may extend one tube per side from the door bars down to the rocker panel. The attachment point may be not larger than 25 square inches and no longer than 8" in any direction. The tube shall not exceed door bar diameter and thickness. The attachment points shall be approximately centered longitudinally in the door openings.



E. ROLL CAGE ATTACHING POINTS

1. Improved Touring, Spec Miata, B-Spec, T2, T3 and T4 classes –The roll cage must attach to the vehicle structure within the passenger compartment in a minimum of 6 points and a maximum of 8 points, maximum of 12 points for T2, as specified in these rules. T2 and T3 only - Up to an additional 6 mounting points may be utilized with a 100# penalty. These include, but are not limited to, A-Pillar, B-Pillar, Roof, Rocker, but may not extend past the fire wall. Roll cage may not pass through any structural member, including the firewall, except Miata rear main hoop braces may pass through the package tray.
 - a. Cars competing in Improved Touring, Spec Miata, T4, and B-Spec may extend one tube per side from the door bars down to the rocker panel. The attachment point may be not larger than 25 square inches and no longer than 8" in any direction. The tube shall not exceed door bar diameter and thickness. The attachment points shall be approximately centered longitudinally in the door openings.



2. All other classes–There is no limit on cage attachment points. The roll cage shall be integrated into the frame or chassis.
3. Mounting Plates
 - a. Mounting plates welded to the structure of the car shall not be less than .080 inches thick and no more than 0.25 inches thick. The maximum area of each mounting plate in the Improved Touring, Spec Miata, and Touring classes shall be 144 square inches. Plates may be on multiple planes but shall not be greater than 15 inches on any side.
 - b. The thickness of mounting plates bolted or riveted to the structure of the car must not be less than the thickness of the roll hoop or brace that they attach to the chassis, and must be backed up with a plate of equal size and thickness on the opposite side of the chassis panel. The maximum area of each mounting plate must be 144 square inches. Plates may be on multiple planes but shall not be greater than 15 inches on any side.
 - c. Fasteners for bolted or riveted mounting plates must be Grade 5/Metric 8.8 or better with a minimum diameter of 5/16".

9. Cars and Equipment

F. TUBING

1. Seamless or DOM mild steel tubing (SAE 1020 or 1025 recommended) or alloy steel tubing (SAE 4130 or T45) , or Docol R8 tubing must be used for all roll cage structures. Alloy and mild steel tubing may not be mixed. ERW tubing is not allowed.
2. The following table shows the minimum allowed tubing outer diameter and wall thickness by vehicle weight:

Vehicle Weight	Tubing Size (inches) (outer diameter x wall thickness)
Up to 1700 lbs	1.375 x .080
1701 - 2699 lbs	1.500 x .095 1.625 x .080
2700 lbs and up	1.50 x .120 1.750 x .095 2.00 x .080

3. For purposes of determining tubing sizes, the vehicle weight is as raced without driver, fuel and ballast. The minus tolerance for wall thickness should not be less than .010" below the nominal thickness.
4. The required tubing elements must meet the material minimums set forth above. Optional tubing elements may be any size.
5. The minus variance of tubing wall thickness due to manufacturing tolerances is limited to .010 inch.
6. Either an inspection hole between 3/16 and 1/4 inch diameter must be drilled in a non-critical area of the front and rear hoops, as well as one of the supplemental braces to facilitate verification of wall thickness; or alternatively, wall thickness may be determined by non-invasive means and noted in the logbook as inspected by such means.

G. BASIC DESIGN CONSIDERATIONS

1. All portions of the roll cage subject to contact by the driver must be padded with a minimum 1 inch of material. Padding that meets or exceeds SFI 45.1 or FIA 8857-2001 (curved padding), or SFI 45.2 or FIA sports car head rest material (flat padding) specification is recommended.
2. No portion of the roll cage shall have an aerodynamic effect by creating a vertical force.
3. The radius of all bends in the roll cage (measured at centerline of tubing) must not be less than 3 times the diameter of the tubing.
4. It is recommended that all joints of the roll cage be welded. All welding must include full penetration, no cold lap, no surface porosity, no crater porosity, no cracks, no whiskers, and so forth. Welds shall be continuous around the entire tubular structure. Procedures for welding alloy steel shall be in accordance with accepted industry practice. It is recommended that a certified AWS D1.1 welder do all welding.
5. It is recommended that gussets be used at all joints. In Improved Touring, and Spec Miata a maximum of 2 gussets per joint are allowed and must be no thicker than .125".
6. Any number of additional tube elements is permitted within the boundaries of the cage structure. Such tube elements may pass through any mandatory or optional bulkhead or panel separating the driver/passenger compartment from the trunk/cargo area/fuel tank/fuel cell area provided the bulkhead is sealed around such tube elements.
7. Removable roll cage bracing is acceptable in one of the following configurations:
 - a. If one tube fits inside another tube to facilitate removal, the removable portion must fit tightly and must bottom by design, and at least 2 bolts must be used to secure each joint. The telescoping section must be at least 8 inches long. The minimum bolt diameter is 3/8 inch.
 - b. Removable bracing may incorporate connectors of the double-lug, double ear-type, tapered, or muff-type as shown in figures 14 and 15. The double-lug type must include a doubler, gusset,

or capping arrangement to avoid distortion or excessive strain caused by welding. Double ear-type joints must be fully welded at all the mating surfaces.

Figure 14

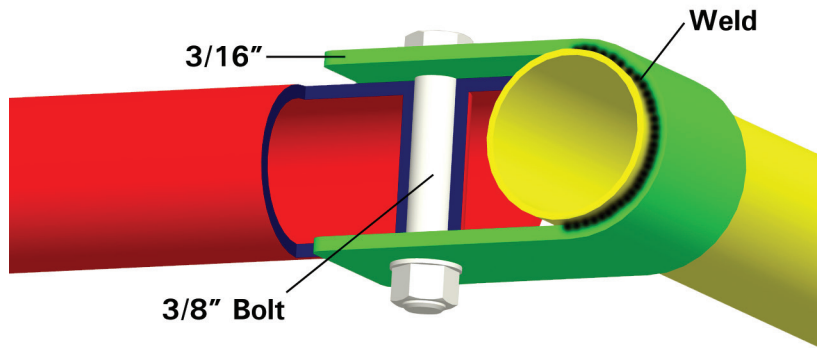
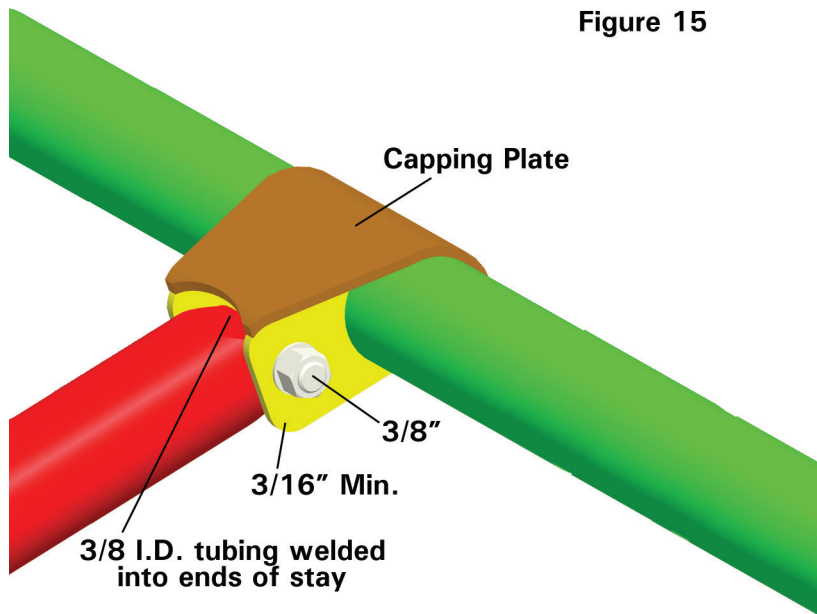


Figure 15



8. MANUFACTURER SUPPLIED/FIA/MSA HOMOLOGATED ROLL CAGES

1. Cars may compete with FIA or FIA-Approved Test Houses homologated cages provided the cage was built by the manufacturer or a manufacturer designated shop/team and approved for use. Cars must have the FIA identification plate attached to the cage along with a letter from SCCA Technical Services certifying the origins of the car, or confirmation that the cage was certified by an FIA-Approved Test House.
2. Cars may compete with an approved Motorsport UK Roll Over Protection System Certificate. All related engineering drawings and documents shall be submitted to SCCA Technical Services. Cars must have MSA identification plate attached to the cage along with a letter from SCCA Technical Services certifying the cage was approved by the MSA.

9.4.5. ROLL CAGES FOR FORMULA CARS AND SPORTS RACING CARS

All Formula and Sports Racing automobiles are required to have full roll cages. Cage may be of two designs, low front hoop (top of steering wheel) or high front hoop (equal to rear hoop) but with no diagonal brace. 2 seat Sports Racing cars shall have full cockpit width cages. All tube frame automobiles shall have both front

and rear hoops formed of tubing per 9.4.5.E.4. On automobiles of full monocoque construction, a fabricated sheet metal front hoop structure may be approved upon specific application to the SCCA. Closed cockpit Sports Racing car cages may be constructed in accordance with 9.4 ROLL CAGES FOR GT AND PRODUCTION BASED CARS. All Formula car and Sports Racing car roll cage tubing specifications must meet the current GCR specifications, effective 1/1/98.

A. Main Hoop

The main hoop shall be constructed of tubing per 9.4.5.E.4. The minimum bend radius shall not be less than 3 times the tube diameter measured from the tube centerline. The main hoop shall not be less than 2 inches above the driver's helmet, seated normally and restrained by seat belt/shoulder harness. A straight line drawn from the top of the main hoop to the top of the front hoop shall pass over the driver's helmet. On Formula cars and single seat Sports Racing cars the vertical members of the main hoop shall not be less than 15 inches apart (inside dimension) at their attachment to the chassis. If the hoop does not go to the belly pan, proper gussets and tube triangulation shall be used under its attachment. On monocoque chassis the main hoop shall be welded to mounting plates not less than .080" thick. It is important that these plates be attached to the chassis in such a way as to spread the loads over a wide area. There shall be a plate of equal thickness on the inside of the monocoque with solid rivets or bolts (5/16" minimum bolt diameter) through the non-ferrous metal and/or composite material.

B. Front Hoop

Low front hoops must be no lower than the top of the steering wheel. It is recommended the hoop extend to the belly pan. If not, it shall be attached to the chassis with gussets and triangulation in order to spread the loads. In automobiles of full height (top of the steering wheel) monocoque or composite construction, a steel cap plate, not less than .080" thick must be attached as a rub block.

C. Roll Cage Bracing

1. The main hoop must have 2 forward braces extending from the hoop and attached to the frame, monocoque, or front hoop. Braces must be attached as near as possible to the top of the hoop but must not be more than 6 inches below the top and at an included angle of at least 30 degrees. If these braces do not extend to the front hoop, an additional brace or gusset (14 gauge - .078" minimum thickness) must be installed between the lower frame rail and the upper frame rail at the point of attachment of the forward hoop brace. If these braces do not extend to the front hoop, an additional brace or gusset must be installed at the point of attachment to the main rear hoop or lower frame rail or other major frame member in such a manner as to reinforce the attachment point to help prevent collapse of the frame rail at the point of attachment. These tubes shall be 1" x .080" minimum and gussets shall be 14 gauge - .078" minimum thickness.

Two (2) seat Sports Racing cars with full width main hoops must incorporate a lateral brace to prevent lateral distortion of the of the hoop (See figure 12). All bracing on full width cages must be the same diameter and wall thickness as the main hoop. Formula and single seat Sports Racing cars under 1500 lbs. may use bracing with a minimum dimension of 1.0" diameter by .080" wall thickness or Chromoly 4130 , or Docol R8 tubing 1.0" diameter by .065" wall thickness. F600 cars up to 900 pounds may use 1020 DOM mild steel roll cage bracing with a 1.0" diameter by .065 wall thickness. Braces attached to monocoque chassis must be welded to plates not less than .080" thick and backed up on the inner side by plates of equal thickness using bolts of Grade 5/Metric 8.8 or better with 5/16" minimum diameter.

2. The front hoop must have 2 braces near its top extending forward to protect the driver's legs. It is recommended that this bracing extend to the bulkhead in front of the driver's feet; but in any case it must be integrated into the chassis to provide substantial support for the front hoop. Full width front hoop bracing shall be a minimum dimension of 1.0" diameter by .080" wall thickness tubing.

Formula and single seat Sports Racing cars under 1500 lbs., may use tubing with a minimum dimension of 1.0" diameter by 080" wall thickness or Chromoly 4130 , or Docol R8 tubing 1.0" diameter by .065" wall thickness. F600 cars up to 900 pounds may use 1020 DOM mild steel roll cage bracing with a 1.0" diameter by .065 wall thickness. When monocoque construction is used as bracing for the front hoop, it must be approved on an individual basis. If a high front hoop is used, it must be similar in shape to the rear hoop and have two horizontal tubes connecting the top of the front hoop to the top of the main hoop. The bracing for the main hoop remains the same.

3. Removable bracing must incorporate connectors of the double-lug, tapered, or muff-type as shown

in figures 14, and 15. The double-lug type must include a doubler, gusset, or capping arrangement so as to avoid distortion or excessive strain caused by welding.

D. Composite Chassis Safety Structures

1. The basic purpose of safety structures is to protect the driver. This purpose is the primary design consideration.
2. All cars must have at least 2 roll over structures, but the use of titanium is prohibited.

The first roll over structure must be in front of the steering wheel, not more than 25cm forward of the steering wheel rim, and at least as high as the top of the steering wheel rim.

The second roll over structure must not be less than 50cm behind the first. It must be high enough for a line extending from the top of the front structure to the top of the rear structure to pass over the driver's helmet when he is seated normally in the car with his helmet on and the seat belt fastened. This second structure behind the seat must be symmetrical about the lengthwise center-line of the car and comply with the following dimensions: The top of the roll bar must be at least 2 inches (5cm) above the driver's helmet when the driver is seated in a normal driving position. No second roll structure on a composite chassis will be considered unless it contains a main hoop having a minimum tubing size of 1.375" x .080" wall thickness. Supplemental braces must have a minimum tubing size of 1.00" x .080" wall thickness.

The roll bar must be capable of withstanding the following stress loading applied simultaneously to the top of the roll bar:

1.5 (X) laterally

5.5 (X) longitudinally in either direction

7.5 (X) vertically

where (X) = the minimum weight of the car.

The induced loads must be carried over into the primary structure of the chassis.

The ability of the roll bar to bear and distribute the load through the chassis must be demonstrated satisfactorily in test conditions to the SCCA. In conjunction with SCCA, manufacturers of cars utilizing carbon fiber composite survival cell construction will be required to designate repair locations capable of proper evaluation and damage repair. In the event of damage to the chassis, repairs can only be made at these locations.

Proper documentation must be made in the vehicle logbook. No car will be allowed to compete after damage without following this procedure.

E. Basic Design Considerations

1. The basic purpose of the roll cage is to protect the driver if the car turns over, runs into an obstacle such as a guardrail or catch fence, or is struck by another car. It shall be designed to withstand compression forces from the weight of the car coming down on the rollover structure and to take fore/aft and lateral loads resulting from the car skidding along on its rollover structure.
2. No portion of the roll cage shall have an aerodynamic effect by creating a vertical force.
3. Roll cage or chassis design shall prevent engine intrusion into the driver compartment.
4. Material:
 - a. Seamless, or DOM (Drawn Over Mandrel) mild steel tubing (SAE 1010, 1020, 1025) or equivalent, or alloy steel tubing (SAE, 4130 or T45), or Docol R8 tubing shall be used for all roll cage structures. Proof of use of alloy steel is the responsibility of the entrant.
 - b. Minimum tubing sizes for all required roll cage elements (All dimensions in inches):

Vehicle Weight	Tubing Size (inches) (outer diameter x wall thickness)
Up to 1700 lbs.	1.375 x 0.080
1701-2699 lbs.	1.50 x 0.095 or 1.625 x 0.080

Vehicle Weight	Tubing Size (inches) (outer diameter x wall thickness)
Over 2699 lbs.	1.50 x .120
	1.75 x 0.095
	2.00 x .080

- c. For purposes of determining tubing sizes, the vehicle weight is as raced without driver, fuel and ballast. The minus tolerance for wall thickness should not be less than .010" below the nominal thickness.
 - d. Either an inspection hole at least 3/16 inch diameter, but no greater than 1/4 inch diameter shall be drilled in a non-critical area of the front and rear hoop as well as the one of the supplemental braces to facilitate verification of wall thickness; or alternatively, wall thickness may be determined by non-invasive means and noted in the logbook as inspected by such means. Formula Cars and Sports Racing cars with alternate roll structures are not required to have inspection holes, the wall thickness will be indicated on the back of the homologation certificate.
5. One continuous length of tubing shall be used for the main hoop member with smooth continuous bends and no evidence of crimping or wall failure. The radius of bends in the roll cage hoop (measured at centerline of tubing) shall not be less than 3 times the diameter of the tubing. Whenever possible, the roll cage hoop should start from the floor of the car, and, in the case of tube frame construction, be attached to the chassis tubes by means of gussets or sheet metal webs with support tubes beneath the joints to distribute the loads. It is recommended that gussets be used.
 6. All welding must include full penetration, no cold lap, no surface porosity, no crater porosity, no cracks, no whiskers, and so forth. Welds shall be continuous around the entire tubular structure. Procedures for welding alloy steel shall be in accordance with accepted industry practice. It is recommended that a certified AWS D1.1 welder do all welding.
 7. Aluminum bronze or silicon bronze welding technique is permitted, but extreme care shall be used in preparation of parts before bronze welding and in the design of the attaching joints.
 8. Forward braces and portions of the main hoop subject to contact by the driver's helmet (as seated normally and restrained by seatbelt/shoulder harness) shall be padded with a non-resilient material with a minimum thickness of 1/2 inch. Padding meeting SFI spec 45.1 or FIA 8857-2001 is strongly recommended.
 9. Cars may compete with FIA homologated cages provided the cage was built by the manufacturer or a manufacturer-designated shop/team and approved for use.
 10. Single seat cars may compete with an approved Motorsport UK National Single Seater Roll Structure Certificate. All related engineering drawings and documents shall be submitted to SCCA Technical Services with the homologation request. SCCA homologation will only be approved for designs that incorporate a main hoop having a minimum tubing size of 34mm x 2mm wall thickness.

F. Exceptions for Formula Cars and Sports Racing cars

Any roll hoop design which does not comply with the specifications in 9.4.5, will only be considered if it is accompanied by engineering specifications signed by a registered engineer stating that the design meets the stress loading requirements below. No alternate roll hoop will be considered unless it contains a main hoop having a minimum tubing size of 1.375" x .080" wall thickness. The roll bar must be capable of withstanding the following stress loading applied simultaneously to the top of the roll bar: 1.5 (X) laterally, 5.5 (X) longitudinally in both the fore and aft directions, and 7.5 (X) vertically, where (X) = the minimum weight of the car.

G. Front Impact Attenuation

1. All formula cars registered or homologated with SCCA as of 1/1/1986 must have a front impact attenuation device meeting at least one of the following criteria:

- a. An FIA-approved front impact attenuation structure.
- b. A metallic structure, securely attached to the front bulkhead, with a minimum cross section of 200 sq cm (31 sq in.), 40 cm (15.75 in.) forward of the clutch and brake pedals (not depressed), constructed of a minimum of 18 gauge 6061-T4 or equivalent aluminum.

A non-metallic composite structure, securely attached to the front bulkhead or incorporated into the nose piece, with a minimum cross section of 200 sq cm (31 sq. in.), 40 cm (15.75 in.) forward of the clutch and brake pedals (not depressed), constructed of a minimum of 6 mm stabilized (e.g., honeycomb) material with inner and outer reinforcements of a minimum of 2 5-ounce laminate material (fiberglass, carbon, Kevlar, and so on).

2. Formula Vee and other formula cars using the VW sedan H-beam front suspension must satisfy the requirements of section 9.1.1.C.3.A.10 or use any of the structures listed in 9.4.5.G.1.
3. Formula Mazda cars may use the spec front wing support as a front crush structure, or any of the structures listed in G.1 above.
4. Radiators may be incorporated in impact attenuation structures.
5. Composite impact attenuation structures may incorporate carbon and/or kevlar regardless of any class restrictions on materials.
6. Rear impact attenuation structures are strongly recommended for all formula cars, and may incorporate the materials and/or construction techniques listed above for front impact attenuation structures.
7. Pre-1986 formula cars and all Sports Racing cars are strongly urged to use front and rear impact attenuation structures, and may incorporate the materials and/or construction techniques for front impact attenuation structures listed above.

APPENDIX A. ADMINISTRATIVE GLOSSARY

The following nomenclature, definitions, and abbreviations shall be used in the GCR, all Supplemental Regulations and Entry Forms, and for general use.

When used throughout the SCCA Road Racing Program, the GCR, and all event related material, the following terms and abbreviation will be defined as indicated.

1. Federation Internationale de l'Automobile (FIA)

The International Federation of National Automobile Clubs.

2. Code Sportif Internationale of the FIA (The Code)

The International Sporting Code. FIA listed events sanctioned by the SCCA are also governed by The Code.

3. National Sporting Authority (ASN)

A national governing body of automobile competitions recognized by the FIA.

4. Automobile Competition Committee for the United States FIA, Inc. (ACCUS FIA)

The ASN of the United States of America.

The Automobile Competition Committee for the United States (ACCUS) is recognized by the FIA as the ASN (National Sporting Authority) of the USA. Under the terms of the International Sporting Code of the FIA, ACCUS is the sole authority for the control of international automobile competition in the USA, its territories, and protectorates.

5. Club Racing Board

The SCCA Club Racing Board (CRB) establishes rules, specifications and standards competition vehicles, as well as for for scheduling, organization, conduct, and supervision of Road Racing programs, and the licensing of drivers and officials. The CRB supervises the execution of these rules and standards. The Club Racing Board shall work in concert with the Road Racing Department to ensure such rules and procedures mesh smoothly to the benefit of the program and the participants.

The CRB may appoint Advisory Committees to assist in reviewing member requests for rules development and changes to individual vehicle specifications, and to solicit and make recommendations to the CRB based on their research and knowledge. Advisory Committee members serve at the discretion of the CRB and the Board of Directors.

6. SCCA Divisions

Geographic segments of the SCCA, established to facilitate administering SCCA policies, competitions, events and the GCR under the direction of the CRB and its Advisory Committees.

7. Executive Steward

The individual appointed by the Board of Directors in each SCCA Division to supervise and administer SCCA policies and standards for all Road Racing events.

8. Car (Automobile)

A self propelled land vehicle running on 4 wheels which are not in a line and which must be in contact with the ground. At least 2 wheels affect the steering and at least 2 the propulsion.

9. Class

A group of cars, classified according to the provisions of the GCR.

10. Category

A combination of similar classes of cars.

11. Competition

A contest for driver and car, given a competitive nature by publication of results. Practice and qualifying for starting positions are included in the term "competition". A competition may also be referred to as a "race".

12. Event

An entire program of competitions. Also known as a "race event" or "race weekend". This term includes all sessions run under a single, or multiple sanction numbers. A race weekend is defined as a calendar period of consecutive days. Multiple events run in the same calendar period will be considered one race weekend.

13. Speed Event

A program of competitions when there is more one car on the course at a time, cars are driven at maximum speeds, and a high level of driver and vehicle safety equipment is essential. See also "competition", "sanction", and "event".

14. Non-Speed Event

An event in which the hazards do not exceed those encountered in legal travel on public roads, and which therefore do not require drivers to hold Competition Licenses.

15. Sanction

The documentary authority, granted by the SCCA, to organize and hold a competition. This term also is used to describe the event organized under a single sanction number, which is evidence of that documentary authority.

16. Session

A session begins when the first race car in the Race Group exits the grid onto the racing surface and ends when the last running race car exits the racing surface. If the session is a race, see 6.10.3.A. for time limits.

17. Supplemental Regulations

Event regulations that establish the additional ground rules of competition and that are consistent with the GCR. See 3.5.

18. Driver

A person named as the driver of a car in any competition. Also, any person who drives a race car in any competition whether or not properly registered, entered, or named as the driver.

19. Entrant

A regular SCCA member who submits an entry to compete in an SCCA Road Racing event. The entrant may also be the driver. If the entrant is not also the driver, the entrant has the same rights and responsibilities as the driver except that he may not drive the competition vehicle on course nor may he substitute for the driver in an SOM or Court of Appeals hearing.

20. Participant

A PARTICIPANT is one who has been permitted to compete, officiate, observe, work for, or participate in any way at an SCCA sanctioned event AND/OR permitted to enter, for any purpose, any restricted area.

21. SCCA Conferences

Geographic segments of the SCCA established for the purpose of hosting U.S. Majors Tour events that result in Conference Championships.

22. Region of Record

A driver may belong to an unlimited number of Regions. One shall be designated as his Region of Record.

23. Division of Record

A driver's Division is determined by his designated Region of Record recorded in the membership files at the National Office.

24. Endurance Race

A competition that allows multiple drivers in the same car, is meant to test the durability of equipment, endurance of participants, and will include a minimum of one mandatory pit stop.

25. Sprint Race

A competition that is limited to a single driver in a car.

26. Penalty Definitions

The following penalties will be reflected in the membership record for as long as any points associated with those penalties are valid.

- a) **Reprimand** – A formal rebuke that an action or behavior is unacceptable.
- b) **Probation** – A penalty against a specific privilege(s) (e.g., competition license, specialty license) authorized by SCCA which requires observation for a specified amount of time and/or completion of a specific set of conditions. When a probation penalty is applied, a Membership – Probationary License form will be issued and used during the probationary period.
- c) **Suspension** – A penalty against a specific privilege(s) (e.g. competition license, specialty license) authorized by SCCA which temporarily removes one's ability to participate for a specified amount of time (e.g. 30 days, 6 months, 12 months.) Suspension and/or termination of overall membership including all privileges is reserved to the National Board of Directors.

APPENDIX B. ORGANIZATIONAL AND ADMINISTRATIVE PROCEDURES FOR EVENTS

This section contains administrative procedures and information for members and race organizers. This section mandates certain actions, but it may not be protested or appealed.

1. ORGANIZING EVENTS

1.1. SCHEDULING

1.1.1. Divisional Scheduling Representative

The Executive Steward of each Division will appoint a Divisional Scheduling Representative who will:

- A. Work with the Regions to prepare a Race Schedule for the following calendar year for all events to be conducted within his Division, including potential U.S. Majors Tour dates. All U.S. Majors Tour dates must be confirmed by the Head of Road Racing before being listed on the calendar.
- B. Submit the necessary documents and fees if applicable, to the National Office to support those events.
- C. Submit copy of the final racing schedule for his Division to the Manager of Road Racing and to the Chairman of the Club Racing Board, the Regional Executives of all Regions in the Division, and to the Scheduling Representatives of the other Divisions no later than December 1st.

The Scheduling Representative must be appointed in sufficient time to assure that the Race Schedule is completed and filed with the National Office no later than December 1.

1.1.2. Scheduling Policies and Procedures

- A. The Division's Race Schedule encompasses all road race activities, including U.S. Major Tour events, Regional Events, Drivers' Schools, and SCCA Test Days.
- B. Alternative Drivers' Schools (3.1.3.C) and Racing Experience Sessions are not required to appear on Divisional Schedules, but must be sanctioned.
- C. No U.S. Majors Tour events may be scheduled for a weekend that is less than two weeks prior to the start of the Runoffs.

1.2. POSTPONING OR CANCELLING EVENTS

All or part of an event may be postponed or cancelled under the following conditions:

- A. Provision is made in the Supplemental Regulations for the event, or
- B. The SOM order that all or part of the event be postponed or cancelled for reasons of safety or forces beyond their control.
 1. Postponement. After consulting with the organizing Region, the SOM may postpone the classes not afforded the opportunity to race (as opposed to practice or qualify), provided a scheduled date is available at the same facility within the same competition year. The postponed races shall be run under the original sanction number.
 2. Cancellation.
 - A. An entire event (all classes, all sessions) postponed for more than 24 hours is considered cancelled, and entry fees shall be returned. If an event is cancelled during the competition, then the entry fees shall be prorated and a reasonable portion of the entry fee shall be returned.
 - B. *If drivers have participated in on-track sessions prior to the cancellation of their race sessions, they will be given credit for a start, and regions may award drivers' points according to their qualifying position. If a race is started and cancelled before halfway time or laps, then only race starters will be awarded points based on qualifying position.*
 3. Credit for Start. If an entire event is cancelled (all classes, all sessions), there shall be no credit for a start. If a race is postponed, the competitors have the option of either competing in the postponed race, or receiving a prorated refund and being classified as DNS for that race, provided they have participated in a practice session or are shown on the qualifying results for that race.

1.3. SANCTIONING EVENTS

- A. Organizers of SCCA sanctioned races may be the SCCA or one or more SCCA Regions, designating one (1) primary host region.
- B. The SCCA name and emblem (logo) may be used only with events sanctioned by SCCA.
- C. The National Office will issue a sanction within 5 business days from date of receiving the completed sanction application.

1.3.1. Applying for an SCCA Sanction

Sanction applications must be submitted for approval at least 45 days prior to the scheduled date of the event with the following:

- A. Completing the online Event Sanction Process or completing a current SCCA Sanction Application Form

Appendix B. Organizational and Administrative Procedures for Events

- B. Entry Form
- C. Supplemental Regulations
- D. Schedule of Events

1.3.2. Sanction Requirements

In addition to the items listed in App B.1.3.1, the following conditions must be met before a sanction number can be issued:

- A. The race event is listed on the official SCCA calendar.
- B. SCCA has approved the course for Road Racing.
- C. The organizer owes no event related fees for prior events. See App B.1.6 for information about event fees.

1.3.3. Sanctioning for Alternative Drivers' Schools

SCCA Regions wishing to hold a Drivers' School using the Alternative Driving School method must submit a sanction applications to the National Office no less than 10 days prior to holding a school and include the following:

- A. Sanction Application Form
- B. Name(s) of approved Instructor(s)
- C. Dates of "school" elements (classroom/on-track)
- D. Approval by the Divisional Executive Steward or his designee.

1.3.4 Courses

The words "course" and "circuit" and "track" are considered interchangeable for the purpose of these rules.

1.3.4.1. Types of SCCA Course Approval

SCCA must approve any course for a Road Racing event. For a particular track, the SCCA may:

- A. Limit the types of events.
- B. Restrict the number of cars which may be started simultaneously or in total.
- C. Restrict the number of entries which may be accepted for an event.
- D. Restrict the classes and categories of cars.
- E. Restrict the license grades of drivers.
- F. Disapprove the course for all SCCA speed events.

1.3.4.2. Application For An Event On An Unapproved Course

A Sanction Application for an event at a course not already approved by the SCCA must be submitted at least 2 months before the proposed event, and must include a full description of the course and facilities, including a scale map.

1.4 SUPPLEMENTAL REGULATIONS AND ENTRY FORMS

Organizers may distribute Supplemental Regulations or Entry Forms for an SCCA event prior to obtaining an SCCA sanction.

1.4.1 Required Contents of Supplemental Regulations

Supplemental Regulations establish specific conditions for an event.

Before a sanction for an event can be issued, the Divisional Executive Steward or his designee must approve all Regulations different than those of the GCR. The Club Racing Board has the right of review and final approval at their discretion.

For U.S. Majors Tour events, Supplemental Regulations are drafted by the sanctioning Region and the U.S. Majors Tour staff. The Supplemental Regulations are submitted by the sanctioning Region, reviewed and approved by the Division's Executive Steward (or his designee), and reviewed and approved by the Head of Road Racing.

Supplemental Regulations must contain the following information for the event:

- A. The name, location, dates, nature, and event type.
- B. Supplemental Regulations must be updated with the sanction number and sanction type immediately.
- C. Conspicuously placed words: "Held under the SCCA General Competition Rules."
- D. The name and address of the organizers.
- E. A complete description of the event, including the course length and types of sessions and races, the classes of cars eligible, and the race groups (See AppB.1.4.2.)

- F. Schedules and locations of on and off-track activities, inspections, and meetings.
- G. The name and address of the Registrar or other person to whom the entry is to be sent, closing date for receipt of entries, and amount of the entry fee.
- H. The names of the Chief Steward and the Chairman SOM. For U.S. Majors Tour events, add the Race Director and the Series Administrator.
- I. The way results will be determined and trophies and prizes awarded.
- J. The times official scales will be available for competitors to check the weight of their cars.
- K. The brand and general description of any required spec fuel (e.g., Sunoco 100 octane unleaded).
- L. All other information necessary for the proper conduct of the event, not already included in the GCR.
- M. A driver who has been on track (turned a wheel) in any sanctioned session of an event is considered to have participated in the event and is not eligible for a refund, unless the event supplemental regulations specifically state otherwise.

1.4.2 Combining Classes into Race Groups

- A. The speed and performance differences among the cars may not be extreme.
- B. Any Formula classes may be combined with Sports Racing classes.
- C. It is more preferable to combine Sports Racing classes with appropriate Formula classes than with Production or GT classes.
- D. It is preferable not to combine FA, FB, FC, FE, and FM with FV and/or **F600**. FV may be combined with **F600**.
- E. SRF may be combined with F and H Production and GTL.
- F. Formula classes shall not be combined with cars from any other category except Sports Racing. The only exception is in race groups consisting solely of Vintage/Historic cars.
- G. It is preferable not to combine GT1, AS, T1, T2, T3, and STU with P1, P2, SRF, FP, HP, or GTL.
- H. Vintage cars may not be grouped with any other type of cars at SCCA Regional or U.S. Majors Tour events but may be combined at Drivers' Schools.
- I. Vintage/Historic sanctioned race groups may include non-vintage classes.

1.4.3 Additional Classes

Organizers may include classes not specified in 9.1, provided the conditions and specifications are clearly outlined or referred to in the Supplemental Regulations. Including those additional classes may not jeopardize the full schedule of sessions for the SCCA recognized classes.

1.4.4 Multiple Types of Competitions on a Single Weekend

It is not generally permitted for race groups from different types of competitions on the same weekend to run simultaneously.

1.4.5 Required Contents of Entry Forms

- A. Spaces for full names, addresses, membership numbers, sponsorship information and license type and numbers of entrant(s) and driver(s), and for driver's Region of Record.
- B. Space for full description of cars to be entered.
- C. The words: "Held under the SCCA General Competition Rules."
- D. Spaces for signature(s) of entrant(s) and driver(s) for waiving liability and/or indemnity declarations, acknowledging the authority of the GCR, declaring that the entered car complies with the provisions of the GCR, and the person(s) to be notified in case of accident.
- E. The sanction number assigned to the event.
- F. Any other information required for the clarification of all other details of the event.

1.5. ORGANIZER'S ADDITIONAL RESPONSIBILITIES

In addition to the responsibilities listed above, organizers must fulfill the following requirements:

1.5.1. Entry List

An official list of competitors entered in the event shall be made available to all entrants at no charge as early as possible before the event begins.

1.5.2. Results

The organizer is responsible to distribute results as follows:

Printed or photocopied Official Race Results available for each entrant at the event; or mailed at the organizer's expense or emailed (at the entrant's option) within 7 days of the event, 7 days of the notification of

Appendix B. Organizational and Administrative Procedures for Events

any protest decision affecting Results, or 7 days of a Court of Appeals decision, whichever is applicable and whichever comes first.

1.5.3. Post-Event Reporting

The organizer is responsible for submitting all SCCA required audits and appropriate fees to the National Office within the time limits, as specified in AppB.1.6 and the SCCA Insurance Handbook on the sanction application and audit form.

1.6. RACE EVENT FEES

A. Post-Event Audit

Upon the conclusion of Regional race events, a post-event audit form must be submitted to the SCCA National Office within 14 days following the event. Audit forms and fee schedule are available from the SCCA National Office and can be found on the SCCA website.

B. Sanction Fee

The appropriate sanction fees for a Regional race event listed on the audit form and the fee schedule must be paid within 28 days of the completion of the event or late fees may apply.

C. Insurance Fee

The appropriate insurance fees for a Regional race event listed on the audit form and the fee schedule must be paid within 28 days of the completion of the event or late fees may apply.

D. Compliance Surcharge

Upon the conclusion of Regional race events, a surcharge for each Spec Racer and Formula Enterprises car that turned a wheel on the course must be paid within 28 days of the completion of the event.

E. Volunteer Fee

A Volunteer Incentive Fee, as listed on the audit form and the fee schedule, must be paid within 28 days of the completion of the event to support the SCCA volunteer incentive and rewards program.

F. U.S. Majors Tour Assessment

For all U.S. Majors Tour Events, a "per entry" fee will be assessed and must be paid within 14 days of the event. No further sanctions will be issued to a region until this has been paid. This fee includes the following components:

1. Sanction fee
2. Compliance Surcharge
3. Insurance Fees - The fee schedule is available from the SCCA National Office, or on the SCCA website.
4. Volunteer Incentive Fee - The fee schedule is available from the SCCA National Office, or on the SCCA website.
5. U.S. Majors Tour Assessment

2. INSURANCE COVERAGES AND LIMITS

2.1. Insurance Requirements

All SCCA sanctioned events must be insured for Event Liability and Participant Accident insurance coverage. General Liability and Participant Accident coverage must be provided by the SCCA Event Insurance Plan.

The Race Director or Chief Steward must delay an event until he is satisfied that the required insurance is in place.

NOTES:

APPENDIX C. LICENSING AND TYPES

1. OFFICIAL'S LICENSING AND TYPE

- A. Official
- B. Regional
- C. Divisional
- D. National
- E. Senior

1.1. Steward

- A. Steward-in-training
- B. Regional
- C. Divisional
- D. National
- E. Senior

1.2. Licensing Requirements

- A. Only SCCA members may be licensed.
- B. License applications are available from Divisional Specialty Administrators, Regional Licensing Chairmen, online at the SCCA official website, and by mail from the SCCA National Office.
- C. Except for the Senior License level, all Licenses are for one year, concurrent with the membership term.
- D. The renewal minimums are stated in each of the Specialty Manuals for which you are licensed.
- E. Anyone not meeting the participation requirements for his license (upgrade or renewal) is advised to contact his Divisional Specialty Administrator, who may waive requirements.
- F. Upgrading to the next level of license is dependent upon the specialty.
- G. License Renewal/Upgrade Forms are mailed automatically to license holders in advance of the expiration of the current License.

1.3. Licensing Minors

- A. The SCCA defines a Minor as an individual between 14 years and the age of majority as determined by the law in the state of the individual's residence (typically 18 years old, but it may vary). A Minor may apply for an SCCA Official's License.
- B. Only the National Office may issue an Official's License to a Minor. In addition to the Specialty License Application, a Minor applicant must submit the following to the National Office:
 - 1. A completed Annual Parental Consent, Release and Waiver of Liability, Assumption of Risk and Indemnity Agreement and a completed Minor's Assumption of Risk Acknowledgement (note: forms vary by state and witnessing method). This document must be filed annually until the Minor achieves the age of majority in his state.

2. COMPETITION LICENSES

2.1. Medical Requirements

- A. Everyone who applies for an SCCA Competition License or Permit must submit a completed SCCA Physician's Examination and Medical History Form, a valid Federal Aviation Authority Class 1, Class 2, or Class 3 Medical Certificate or a completed FAA BasicMed Form (FAA 8700-2 Comprehensive Medical Examination Checklist), or a complete NASA approved Medical Evaluation form. For the purposes of SCCA competition licensing, the term "form" refers to any of these. The form must be submitted every 5 years for applicants ages 14-39; every 3 years for applicants ages 40-49; every 2 years for applicants ages 50-69; and every year for applicants' age 70 and over. The examination date cannot be more than 6 months before the Competition License or Permit application date. A new Form is not required for a 14 year old Novice Permit holder or Novice Permit holder applying for a Full Competition or Vintage License, provided the current Form is within the specified term for his age group.
- B. An individual may be issued a Novice Permit by a Divisional or Regional Licensing Chairman provided there is no medical condition identified on the Form which requires review.
- C. SCCA Physician's Examination and Medical History Forms are available from Regions, from the National Office, and on SCCA's website, www.scca.com.
- D. A competitor who is issued a license under medical waiver must submit the Form annually.

2.2. Credit Towards License

- A. To qualify for renewing or upgrading a license, a competitor must participate in the minimum number of SCCA races specified in Table 1. However, no license credit shall be given for the following:
 - 1. Drivers Schools
 - 2. Races held as part of a Drivers School

3. Events not sanctioned by the SCCA
 4. Events resulting in a DNS or DQ from a race. At multi-race events, successful completion of another race(s) is acceptable on the same weekend.
- B. A Full Competition license holder may enter multiple races in an event, but will earn only one license credit for each class raced per weekend. See Table 1 for Vintage License renewal requirements.

2.3. Competition Licensing Requirements

Table 1 below shows the standard licensing requirements and progressions.

2.4. Additional Licensing Information

- A. All 14 Year-Old Novice Permit, Novice Permit and License applications must be signed by the applicant and sent, along with all required paperwork and fees to the address in the front of this rule book.
- B. An applicant for any Permit or License who requests expedited processing is subject to the current special handling fee found on the license application. The special handling fee guarantees a 24 hour business day turn-around and the License is returned via Federal Express.
- C. License Renewal/Upgrade Forms are mailed automatically to Full Competition or Vintage License holders in advance of the expiration of the current License.
- D. An applicant's Divisional Driver Licensing Administrator, or the National Administrator of Driver Licensing, or the Road Racing Department may waive some or all of the participation requirements for issuing or renewing a Full Competition or Vintage License. Anyone not meeting the participation requirements for Full Competition or Vintage License (upgrade or renewal) is advised to contact one of these sources to request a waiver.
- E. In addition to the basic items for each license level and upgrade in the Table 1, please note the following sections, particularly with respect to licensing Minors.

2.5. Licensing Minors

- A. The SCCA defines a Minor as an individual between 14 years and the age of majority as determined by the law in the state of the individual's residence (typically 18 years old, but it may vary).
- B. With the approval of the Divisional Licensing Administrator, only the National Office may issue a Novice Permit to a minor. In addition to the paperwork and fees indicated in Table 1, a Minor applicant must submit the following to the National Office:
 1. A completed Annual Parental Consent, Release and Waiver of Liability, Assumption of Risk and Indemnity Agreement and a completed Minor's Assumption of Risk Acknowledgement (note: forms vary by state and witnessing method). This document must be filed annually until the Minor achieves the age of majority in his state.
 2. Proof of Age: A photocopy of both sides of his State Operator's Permit/Driver's License, government issued identification, passport, or birth certificate.
- C. Only the Divisional Licensing Administrator may waive Drivers' School, Full Competition License, or Vintage License participation requirements for a Minor.

2.6. 14 and 15 Year-Old Novice Permits and Licensing

A 14 and 15 Year-Old Novice Permit is a provisional license for young drivers with previous racing experience in karts, quarter-midgets, etc.

- A. Applicants with prior racing experience in karts, quarter-midgets, etc., will be considered for a 14 or 15 Year-Old Novice Permit. Applicants must submit a resume of their prior racing experience that will be evaluated by their Divisional Driver Licensing Administrator. If the Divisional Driver Licensing Administrator is satisfied with the applicant's experience, he will schedule an interview with the applicant to complete the evaluation. It is preferred that the interview be in person, but if necessary, a telephone interview is acceptable. If the Divisional Licensing Administrator judges that the applicant's experience and maturity is satisfactory, he will recommend to the Road Racing Office that a 14 or 15 Year-Old Novice Permit be issued. A completed Annual Parental Consent, Release and Waiver of Liability, Assumption of Risk and Indemnity Agreement and a completed Minor's Assumption of Risk Acknowledgement must be submitted to the Road Racing Office (note: forms vary by state and witnessing method). The requirement of AppC.2.5.B.2 may be waived by the Divisional Driver Licensing Administrator.
- B. A 14 or 15 Year-Old Novice Permit will be issued in the form of a Novice Permit with a distinctive cover. It must be used for all Driver School and Regional race events until the driver reaches the age of 16. If the requirements for a Full Competition or Vintage license are satisfied before the permit holder turns 16, the 14 or 15 Year-Old Novice Permit shall be returned to the Road Racing Office, with the appropriate license fee, to be replaced by a Full Competition or Vintage license. If the requirements for a Full Competition or Vintage license are not fulfilled by the time the driver reaches the age of 16, the 14 or 15 Year-Old Novice Permit shall be returned to the Road Racing Office to be replaced by a Novice Permit. Any successfully completed Driver Schools and races will be transferred to the Novice Permit.

- C. 14 or 15 Year-Old Novice Permits may be issued only by the Road Racing Office.
- D. At every driver school and every race before the permit holder is licensed, he must present the Novice Permit to the Chief Steward before participating in any on-track session. The Chief Steward will complete the appropriate permit page at the end of the event.
- E. At any event before the permit holder is licensed (school or race), the Chief Steward may recommend revocation of the permit.
- F. In addition to the successful completion of the required driver school(s), the Chief Steward must explicitly state that the driver is prepared to race; otherwise, additional school(s) are required.
- G. A 14 or 15 year-old must complete his first SCCA driver school in a car not classed in GT1, GT2, FA, FB, FS, ITR, ASR, P1, P2, or T1. Upon successful completion of the first school, any car may be used thereafter.
- H. No 14 or 15 year-old will be allowed to race without having approval of the Divisional Driver Licensing Administrator.
- I. The 14 or 15 Year-Old Novice Permit is treated as a Novice Permit for the purposes of licensing while participating in Driver Schools and Regional races.

2.7. Novice Permit

A Novice Permit is a training license for student drivers as they develop the experience necessary to safely race with the SCCA.

- A. After submitting the required materials, an applicant will receive their Novice Permit, applicant must attach one photo minimum size 2" x 2". The Permit must be presented at each Drivers' School and subsequent SCCA races until replaced by a Full Competition License or Vintage. The requirement of AppC.2.5.C. may be waived by the Divisional Driver Licensing Administrator.
- B. A Novice Permit is valid for 24 months with continuous SCCA membership. However, Novice Permit holders age 70 and over and those requiring a medical waiver must submit the Medical Form annually for the Permit to remain in effect.
- C. A Novice Permit holder who does not complete requirements to upgrade to a Full Competition or Vintage License by the expiration date of the Permit may renew the Permit. Credit for schools or races completed in the previous 24 months will carry over to the renewed permit, if it is renewed within 3 months of the expiration date.
- D. Successful completion of 1 SCCA Drivers School or its equivalent is required before a Novice Permit holder may race. The following must be noted in the Novice Permit:
 - 1. A total of at least 3 hours of in-car, on-course time.
 - 2. A Satisfactory rating in SCCA Drivers School.
 - 3. The Signature of the Race Director or Chief Steward indicating participation in the School attended.
 - 4. In addition to the successful completion of the required Driver School, the Race Director or Chief Steward must explicitly state that the driver is prepared to race; otherwise, additional school(s) are required.
- E. Novice Permit holders may offer equivalencies to replace the SCCA Drivers Schools' requirements.
 - 1. The Race Director or Chief Steward of an SCCA Drivers School or the Novice Permit holder's Divisional Licensing Chairman may waive all or part of the Drivers School requirements for drivers with prior racing experience.
 - 2. Road Racing will publish the list of accredited private schools whose curricula and methods have been approved and who have submitted a service fee to the SCCA.
 - 3. Alternative Drivers' Schools- Chief Driving Instructors or Divisional Licensing Chairmen should coordinate with the Divisional Executive Steward and the Chief Steward of the event to ensure that the prospective student has had the proper ground school before the event and the right attitude and capabilities to complete the program. This is especially important for novice drivers with little or no prior experience.

At the request of the Divisional Chief Driving Instructor or Divisional Driver Licensing Administrator and approval by the Divisional Executive Steward, a Novice Permit holder may be offered an alternative path to an SCCA Full Competition or Vintage license under the following conditions:

- a. The ground school/classroom component may be satisfied informally via telephone, email, or one-on-one meetings between the student and his designated Driving Instructor. The student must demonstrate knowledge of the GCR and the flags as used in SCCA Road Racing.
- b. After successfully completing the ground school, the student must enter a track test day or SCCA sanctioned test day during which his driving will be observed and evaluated by his

Driving Instructor along with any other individuals the Instructor and the Chief Steward for the race may designate.

- c. Driving Instructors for this program will be approved by the Division's Chief Driving Instructor or by the Divisional Driver Licensing Administrator.
 - d. The driving instructor for the alternate school may witness participating student(s) sign the SCCA insurance waiver for that event.
 - e. The host region may charge a fee to cover costs associated with this type of school.
 - f. For students with recent on-track and/or competition experience, upon recommendation of the Driving Instructor, the Chief Steward, the Divisional Chief Driving Instructor or the Divisional Driver Licensing Administrator may waive all Drivers' School requirements for the student.
 - g. For students without recent on-track and/or competition experience, the driving evaluation must include sufficient on track activity to satisfy the Driving Instructor and Chief Steward that the student is prepared to participate in Regional races.
- F. Drivers who have fulfilled the Drivers' School requirements complete the Novice Permit by successfully competing in 3 Regional event weekends within the 2 year term of the Permit. The Chief Steward for each race must sign the Permit to indicate participation.

When the third Regional event weekend is credited, the Chief Steward or Chairman SOM for that event must also sign the Permit acknowledging completion of the Novice Permit requirements. If the Chief or Chairman will not sign the Permit, a Novice Permit holder may appeal that decision to his Divisional Licensing Administrator for a final decision. Note: 1 SCCA Track Event or Time Trial event may be substituted for 1 of the Regional Race events. Appropriate Official's Signature on Permit.

- G. A Novice Permit may be revoked by the holder's Divisional Driver Licensing Administrator upon the recommendation of the event Chief Steward.

2.8. Full Competition License

- A. A driver who has completed all Novice Permit requirements, including the acknowledgment signature of the Race Director, Chief Steward or Chairman SOM, may follow the directions in the Permit to apply for an upgrade to a Full Competition License. For the three consecutive weekends after he has submitted his Full Competition License application to the National Office for processing, he may use a photocopy of the Permit as a Full Competition License to race.
- B. Licenses listed below will be accepted as equivalent to a SCCA Full Competition License at SCCA Regional events.
- 1. BMW CCA Club Racing Full Competition
 - 2. Confederation of Autosport Car Clubs (CACC) Competition
 - 3. FIA Issued by any sanctioning body
 - 4. Historic Sportscar Racing (HSR) HSR License
 - 5. ICSCC Area Road Racing or International Road Racing licenses
 - 6. IMSA Issued License
 - 7. Midwestern Council of Sports Car Clubs (MCSCC) Full and Novice permit
 - 8. NASA Full Competition
 - 9. Ontario Region CASC Regional
 - 10. Porsche Club of America Full Competition
 - 11. SCCA Pro Racing licenses (F4, FR, Trans Am, FRP)
 - 12. SCCA Vintage
 - 13. Sportscar Vintage Racing Association (SVRA)
 - 14. Vintage Auto Racing Association Full Competition
 - 15. Vintage Motorsports Council (VMC) and VMC member organizations. A list of organizations can be found here: <http://the-vmc.com/>.
 - 16. Waterford Hills Road Racing Club Full and Novice permit
 - 17. West Canada Motorsport Association Amateur
 - 18. Eastern Motor Racing Association (EMRA) Competition License.
 - 19. Atlantic Region Motor Sports (ARMS) Regional Competition License

20. Autobahn Country Club Level 1/Level 2

21. Indy Car Issued License

- C. A Canadian resident holding a current ASN Professional Grade C License or higher may apply for an SCCA Full Competition or Vintage License if he is an SCCA member in good standing and submits a copy of his current ASN License and ASN Medical Form, along with the License fee. The examination date cannot be more than 6 months before the Competition License or Permit application date.

2.9. Vintage License

A Driver who has completed all Novice Permit requirements, may apply to the National Office for a Vintage Competition License. A current medical form and appropriate license fee to be included.

2.10. Renewal

Requirements for renewing Full Competition Licenses and Vintage Licenses are noted in Appendix C. Table 1.

2.11. Applicants with Prior Racing Experience

Participation requirements for issuance or renewal of Novice Permit, Vintage or Full Competition Licenses may be waived in total or part by the Divisional Licensing Chairman of the applicant's Division of Record or the Manager of Road Racing.

2.12. Online Drivers' School Tutorial

SCCA Drivers' Schools, Divisional Licensing Chairmen, and/or Divisional Chief Driving Instructors may require the completion of the SCCA Online Drivers School tutorial before issuance of a Novice Permit or Full Competition License.

3. NON-STANDARD LICENSE SITUATIONS

A. Probation Letter as License

1. The Chairman SOM or other review committee or Court of Appeals issues a Probation Letter to temporarily replace the confiscated License of a member whose penalty is probation.
2. The member uses the Probation Letter as a License until the terms of the probation have been met completely.
3. When the terms are completed, the member sends the Probation Letter to the National Office and receives his License in return.

B. Statement of Facts Affidavit in Lieu of License

A Statement of Facts Affidavit is available ONLY to a competitor who has received a current SCCA Competition License but does not have it in his possession at the event. A competitor whose claim to have been issued an SCCA Competition License cannot be verified is subject to automatic penalty, as specified in 7.4.D.

NOTES:

Table 1

LICENSE LEVEL	SCCA MEMBER TYPE	AGE	LICENSE ISSUER	APPLICATION	MEDICAL FORM	FEE	MAX. TERM	OTHER
14 and 15 YEAR-OLD NOVICE PERMIT	Individual/ Family/ First Gear in good standing	14-15 years old	SCCA National Office	Novice Permit Application	Required	See Novice Permit or Competition License Application Form for current fees.	1 year	Minimum size 2"x 2" photo + Proof of Age + Divisional Licensing Chairman Approval
NOVICE PERMIT	Individual/ Family/Spouse/ First Gear in good standing	16 years or older	SCCA National Office or National/ Divisional/ Regional Driver Licensing Administrator	Novice Permit Application	Required	See Novice Permit or Competition License Application Form for current fees.	1 year	Minimum size 2"x 2" photo + Proof of Age + Operator's Permit/ State Driver's License allowing solo motor vehicle operation
NOVICE TO VINTAGE	Individual/ Family/Spouse/ First Gear in good standing	14 years or older	SCCA National Office or National/ Divisional/ Regional Driver Licensing Administrator	Completed Novice Permit + Vintage License Application	When needed	See Novice Permit or Competition License Application Form for current fees.	1 year	Complete School Requirements + 2 Regional Races on Permit + Appropriate Officials' Signatures on Permit
NOVICE TO FULL COMPETITION	Individual/ Family/Spouse/ First Gear in good standing	14 years or older	SCCA National Office	Completed Novice Permit + Full Competition License Application	When needed	See Novice Permit or Competition License Application Form for current fees.	1 year	Complete School Requirements + 3 Regional Race weekends. All in prior 24 months. Note: 1 SCCA Track Event or Time Trial event may be substituted for 1 of the Regional Race events. Appropriate Official's Signature on Permit.
VINTAGE RENEWAL	Individual/ Family/Spouse/ First Gear in good standing	14 years or older	SCCA National Office	Vintage License Renewal Application	When needed	See Novice Permit or Competition License Application Form for current fees.	1 year	Results of 1 Vintage Race or 1 SCCA Regional Race from the prior 12 months

Table 1

LICENSE LEVEL	SCCA MEMBER TYPE	AGE	LICENSE ISSUER	APPLICATION	MEDICAL FORM	FEE	MAX. TERM	OTHER
FULL COMPETITION RENEWAL	Individual/ Family/Spouse/ First Gear in good standing	14 years or older	SCCA National Office	Full Competition License Renewal Application	When needed	See Novice Permit or Competition Li- cense Application Form for current fees.	1 year	Results of 1 SCCA U.S. Majors Tour or Regional Sanctioned Race/Vintage/Pro/FIA weekend per year

APPENDIX E. OVAL TRACK RACING

This section is intended as a guideline and recommendation for SCCA Road Racing events conducted entirely on paved oval tracks.

1. EVENTS

Road Racing events on oval tracks will be sanctioned only on paved ovals and only as Regional events. U.S. Majors Tour events may not be conducted as oval track events. A Drivers' School in preparation for an event on an oval track may be conducted, but not as a substitute for a road course Drivers' School. Regions conducting oval Drivers' Schools are encouraged to seek out local drivers who have experience at that track to advise students at the event.

All items of Section 3, Events, which apply to Regional events shall apply to oval track events.

Depending on the length and banking of the oval course being used, it is recommended that Regions consider restricting the faster classes (GT1, FA, and P1) from competition at oval track events.

Oval track events may consist of any combination of practice sessions, qualifying sessions, heat races, and feature races. On tracks of less than 1 mile in length, it is recommended that qualifying be conducted one car at a time.

2. COURSES

Courses for oval track events must be approved by the Divisional Executive Steward prior to applying for a race sanction. These approvals shall expire at the end of the calendar year or upon written notification to the region by the Executive Steward which ever comes first.

3. TIMING AND SCORING

Timing and Scoring standards may be modified in favor of short-track scoring techniques. It is not necessary to time every lap of every car during a race, though an overall time for the winner should be recorded.

4. FLAGGING AND COMMUNICATIONS

Generally, all communications with drivers while they are on course will be via flags at the Starter's Stand and/or signal lights around the course. It is recommended that Flagging and Communications personnel be stationed around the course to communicate to Race Control the observations they make regarding the condition of the course or the nature of any incidents they witness.

5. RULES OF THE ROAD

5.1. Racing Surface

For the conduct of all competitions (qualifying or race), the racing surface shall be defined as only the marked, paved race track and its curbing. Pit lanes, their entries and exits; grass verges; and so on, are expressly excluded from the racing surface.

5.2. Flags

For oval track events, flags will normally be only displayed at the Starter's Stand. Flags may be supplemented by signal lights displayed around the course. The flags used in an Oval Event are defined in Section 6.1.2., Flags, with the following exceptions:

A. RED FLAG – Come to a stop as soon as possible on driver's left (for counterclockwise tracks) or driver's right (for clockwise tracks). Then proceed very slowly and with great caution to the hot pit area and await further instructions.

B. Yellow Flag and/or Yellow Light

STANDING YELLOW – Take care, Danger, Slow Down, NO PASSING. The entire course is yellow.

WAVED – Great Danger, Slow Down, be prepared to stop. NO PASSING. The entire course is yellow.

DOUBLE YELLOW – Not used.

C. SURFACE CONDITION FLAG (Yellow with Vertical Red Stripes) – Not used. Any course condition warranting a surface condition flag is cause a yellow flag until the course condition can be corrected.

D. WHITE FLAG (Solid White) – The leader is starting his last lap. The white flag shall be waved to the leader and then to each following car during that lap.

5.3. Practice / Multi-Car Qualifying

A. During practice and multi-car qualifying sessions, all cars enter the pit area and stop at their pit at the first opportunity after observing a yellow flag or yellow light at any flag or light station on the track. No car may re-enter the track from the pit lane until the course becomes green again.

B. The scheduled practice time is total running clock time, not on-track green flag time, subject to event scheduling requirements.

5.4. Single-Car Qualifying

A. The number of warm-up laps, timed laps, and cool-down laps allowed in a qualifying session will be defined in the supplemental regulations and/or announced at the drivers meeting.

B. Cars will qualify in an order determined by the Chief Steward. If a random drawing is used to determine qualifying order, details of the drawing will be announced prior to the drawing. Positions in the

qualifying order are reserved as long as the car is in the qualifying line prior to the order to begin its qualifying attempt.

- C. If a car does not proceed with the qualification attempt when ordered to do so, the qualifying order position will be forfeited. The car may be penalized further by the loss of one qualifying lap.
- D. A qualifying attempt shall be considered started when the front tires of the car cross the starting line after the qualifying start signal is given by the Starter.
- E. If the car stops anywhere on the course after the qualifying start signal is given by the Starter, the driver will be charged with an attempt. Time permitting, those cars having started a qualifying attempt, but unable to complete the attempt, will be permitted to begin a second qualifying attempt. First priority for a second qualifying attempt will go to cars that failed to receive any qualifying time during their first attempt.
- F. In the event qualification cannot be held or completed within the allotted qualification time, the field, or remaining field, will be filled by means of a seeded lottery by those drivers who have entered, but who have not qualified.

5.5. Races

A. Initial Race Start

- 1. A pace car may or may not be used. If no pace car is used, the responsibility of pacing the field will fall to the pole car.
- 2. The number of pace laps prior to the start of the race will be announced by the Chief Steward.
- 3. On the final pace lap prior to start, the pace car, if used, will turn its lights out and accelerate to leave track.
- 4. The pole car will bring the field gradually up to speed for possible start.
- 5. Cars shall not improve position prior to crossing start/finish line. (Pulling out of line alongside the car in front of you is improving your position.)
- 6. In case of an aborted start, the starter will display a standing green flag to the field. After the cars have entered turn one, the course will go yellow and the field will reform on the back straight for a restart.

B. Yellow Light/Flag.

- 1. In the event of a yellow flag, the lead car is responsible for controlling the field and getting the field to slow down in a smooth, orderly fashion.
- 2. A pace or safety car may be employed to bring the field under control. Whenever a pace car is used, it will remain out for a minimum of two laps subject to race conditions and at the discretion of the Chief Steward. The Chief Steward may designate to the lead car the duties of pace car to safely pace the field to a restart or to slow the field down gradually prior to a safety car entering the track.
- 3. In case of a pass in progress when the yellow light goes on, the over-taking car is expected to fall back and take station behind the car he was attempting to pass. The field does not race to the start/finish line.
- 4. The running order as of the last completed green flag lap immediately prior to the yellow flag shall determine the running order for the re-start.
- 5. Any yellow light or flag at an oval track is a full course yellow, whether or not there is a safety car. The lead car will slow the field down to permit the entire field to "bunch up" single file behind the leader. The track will stay yellow until the field is consolidated behind the leader. Drivers strung out around the track are expected to quickly move up to catch "the pack" while observing the yellow flag situation.
- 6. Cars entering the pits during a yellow flag condition, or cars responsible for causing the yellow flag condition, shall, assume a position at the rear of the formed pack on rejoining the field.

C. Restarts

- 1. On the lap prior to a possible yellow-to-green restart, the field will be notified of a possible restart on the next lap by:
 - a. Safety car turning lights off and exiting the track.
 - b. If no safety car is used, Starter indicating one more lap.
- 2. In either case, the lead car gradually brings the field up to speed for a possible restart.
- 3. At the instant the starter waves the green flag, all yellow lights will go green. Racing resumes immediately over the entire track.

5.6. Driving Conduct by CR

- A. It is the responsibility of all drivers to avoid physical contact between cars on the race track.
- B. All competitors have a right to "racing room" on the marked racing surface. "Racing room" shall be generally defined as sufficient space on the marked racing surface so as to allow a competitor to maintain control of his car in close quarters, under racing conditions.
- C. It shall be incumbent on all drivers to preserve the right of his fellow competitors to "racing room" on the race track. Abrupt changes in direction so as to impede or affect the path of a car attempting to overtake or pass may be interpreted by Officials as an attempt to deprive a fellow competitor of his right to "racing room".

NOTES:

APPENDIX F. TECHNICAL GLOSSARY

NOTE: Should any of the definitions contained in this Glossary appear to be in conflict with a specific rule, then the GCR or Specification Book will take precedence.

2 Cycle – A reciprocating engine in which the intake, compression, combustion and exhaust phases are completed each revolution of the crankshaft.

4 Cycle – A reciprocating engine in which the intake, compression, combustion and exhaust phases are completed each two revolutions of the crankshaft.

A-Pillar – The forward most roof support in a passenger car, which also serves as the side support for the windshield.

Accelerator Pedal – A foot-operated device which allows the driver to vary the degree of opening of the induction system throttle(s).

Accessible – Capable of being reached without removal of other components.

Accumulator – A pressurized free-piston device, in which the compression of a fixed volume of air by the piston, upon the application of a force caused by fluid under pressure, provides a pressurized reservoir of the fluid.

Active Aerodynamic Devices – No active aerodynamic devices are permitted. These include, but are not limited to, those that allow any degree of freedom in relation to the entirely sprung part of the car (chassis/monocoque), movable or hinged skirts, or that can be adjusted from within the cockpit. Adjustment of aerodynamic devices may only be made by mechanical changes performed from outside the car.

Active Suspension – Automatic ride height and / or roll control by an active system receiving power from a pump or compressor.

Addition – To introduce a component not present in the cars stock state, or attachment to an existing component.

Adhesive – A bonding agent designed to cause two or more components to adhere to each other without fusing them into a single component.

Adjustable Timing Gear – A camshaft drive gear or sprocket which permits a range of angular adjustment of the outer portion relative to the attachment point of the driven camshaft.

Advance Curve – The degrees of distributor advance from the static setting as a function of rotational speed, usually achieved by mechanical or electronic means.

Advance Plate – The plate inside a distributor on which the ignition points are mounted, which is free to rotate over a prescribed angle in response to the actions of the advance mechanism(s), thus altering the phase relationship of the points and distributor cam.

Advance Springs – Springs which provide the restoring force against the actions of the advance mechanism(s) in a distributor.

Aerodynamic Device – An attachment to, or an integral part of, a car intended to generate atmospheric downforce by the action of air flowing through or around the attachment.

Aerodynamic Skirts – Body panels, movable or fixed, at the bottom of the sides of a car's body, which aid in the creation of "ground effects" downforce by ensuring that little air passing under the car can escape at the sides.

Aeroquip Line – A brand name, used generically, for a braided metal-covered hose.

Air Cleaner – An induction system component intended to filter particulate matter from the incoming air.

Air Dam – An air control device at the lower front of a car, intended to divert some of the air which would normally pass under the car when the car is in motion.

Air Horn – See Velocity Stack.

Air Pump – An engine-driven pump intended to provide a supply of air (without fuel) to the engine to assist in the reduction of pollution components.

Air Throttle – The valve which allows the driver to modulate the volume of air passing into a fuel injection induction system.

Airfoil – An aerodynamic device or part of a car which the flow of air over its surface will generate a vertical force by creating a pressure differential between top and bottom surfaces.

Air Throttle/Throttle Body – The component which allows the driver to regulate the volume of air passing into a fuel injection induction system. (also see Throttle Body)

Alloy – A homogeneous mixture of two or more elements, at least one of which is a metal, and where the resulting material has metallic properties.

Alter (verb) – To change a component by modifying.

Alternator – A component intended to generate current with which to maintain a proper level of charge in the on-board storage battery.

- AN Coupler** – A threaded high pressure hydraulic coupling of the type normally used with metal braided hose.
- Annular Discharge** – A carburetor type in which the fuel is introduced into the flowing air from an annulus on the periphery of the main duct.
- Anti-Roll Bar (Sway bar)** – A torsion control device connected to a car's structure, and to moving portions of the suspension, which is intended to control body roll. (Some types of ARB may also serve as a suspension component.)
- Anti-Submarine Strap** – A safety strap intended to provide additional support against motions of the driver's lower torso in the forward direction.
- Aspect Ratio** – The ratio of tire section height to section width, expressed as a percentage.
- Attachment Points (Suspension)** – The locations at which the fixed and moving ends of a shock absorber are mounted and/or the location of the suspension component on the frame or structure of a car.
- Automatic Transmission** – A transmission which is capable of allowing a car to start from a stop without use of a clutch, which may be shifted from gear to gear without use of a clutch, and in which such shifting of gears is accomplished by hydraulic, pneumatic, or electric actuation.
- Automobile** – See Car, Appendix A.
- Axle Housing** – The housing which contains axle shafts and may provide support for wheel hubs.
- Axle Shaft** – A shaft whose purpose is to carry rotational drive from a differential or transaxle to the driven wheels, or simply to support 1 or 2 undriven wheel hub(s).
- Axle Tube** – See Axle Housing. Also, the beam connecting the rear wheels on a front wheel drive car.
- B-Pillar** – The center roof support in a passenger car.
- Backing Plate** – A braking component used in drum type brake systems, generally to support the brake shoes and wheel cylinder(s) at a wheel.
- Baffle** – A plate or panel in a fluid container, which is designed to inhibit the rapid transfer of the fluid within the container when it is subject to changing dynamic forces.
- Balance (Verb)** – To minimize the dynamic off-axis forces of rotating components, or to equalize the weights of like reciprocating components.
- Balance Pipe** – A tubular induction system component which connects 2 or more independent branches of the system.
- Ball Joint** – A bearing coupling, generally in suspension or steering systems, consisting of 2 mating surfaces, 1 convex and 1 concave, which permits a range of angular displacements of the 2 attached shafts over a prescribed range.
- Ballast** – Non-functional mass fastened inside a car to increase the weight of the car.
- Base Circle** – The constant radius portion of a camshaft lobe which is closest to the centerline of the camshaft.
- Battery (Storage)** – An on-board electrical storage component which may be used to activate electrical devices or systems, such as starter, ignition, etc.
- Battery Box** – A covered container for an on-board storage battery.
- Beam Axle** – A solid, non-rotating axle connecting the undriven wheels of a car.
- Bearing** – A mechanical component provided to allow connected parts to move with respect to one another in a manner consistent with durability and minimal friction.
- Bearing Carrier** – A housing in which the bearings carrying a shaft are mounted.
- Bell Housing** – A nominally bell-shaped extension or attachment to the engine or transmission which serves as a coupler between these assemblies, and usually encloses the clutch/flywheel assembly.
- Belt Drive (Car)** – A drive system in which the engine power is coupled to the driven wheels through a flexible belt and pulleys.
- Bezel/Rim** – Outer trim components which determine the assembled appearance.
- Bias Ply Construction** – A tire construction in which the structural plies of the main carcass form an angle considerably greater than zero relative to a cross section of the tire.
- Big End** – The crankshaft end of a connecting rod.
- Blanking Sleeve** – A replacement for a thermostat designed to divert the flow of cooling water away from the cooling system bypass circuit.
- Block** – The elemental component of a reciprocating engine which contains at least the cylinder location(s) and the crankshaft mounting points.
- Block Deck Height** – The distance between the crankshaft centerline and the machined surface that forms the head/block interface of the block.

Blueprinting – The practice of engine improvement achieved by the use of selected standard parts and/or by optimizing the factory machined surfaces of stock engine components to achieve the most advantageous specifications within the normal range as defined by the manufacturer for that engine.

Within the above definition of blueprinting, any procedures that involve the following are not permitted unless specifically authorized:

- a) The addition of material of any kind to any component (this includes, but is not limited to, the addition of sleeves/bushings and the application of anti-friction, oil shedding and thermal barrier/retention coatings).
- b) The machining, tooling or any other physical or chemical modification (including shot blasting) of any surface that was not originally a factory machined surface. Glass or other media blasting for cleaning purposes only is allowed as long as it does not remove or modify the base material of the original part.
- c) Mixing/matching of parts from any other year, make, model or type of vehicle or engine.
- d) Balancing procedures that involve spot machining of all rotating and/or reciprocating parts (i.e. one rod/piston assembly must remain untouched).
- e. Any edges resulting from authorized machining processes may be deburred up to .040”.

Note: Under no circumstances may any factory specification be exceeded as a result of any permitted blueprinting operation(s) (i.e. compression ratio, valve lift, bore, stroke, etc.).

Body – All parts of the car licked by the air stream and situated above the belly / floor with exception of the roll bar or cage. For Formula and Sports Racing cars, further exceptions are those units definitely associated with the function of the engine or transmission.

Body Panel – A replaceable section of the body.

Bodywork – See Body.

Bolt Pattern – The arrangement of bolts or other fasteners used to join 2 components.

Boost – The degree of induction pressurizing in a turbo/supercharged engine.

Boot Cover – A cover for the area behind the driver/passenger seating area in an open car.

Bore – The diameter of a cylinder.

Boss – A protrusion from a casting or forging which provides the surface(s) and/or structure necessary to accomplish particular function of the component.

Brake Light – A signaling light mounted on the rear of the car, which may be actuated only by driver braking actions.

Brake Lining/Pad – Replaceable friction material which accomplishes braking action by making rubbing contact with the brake drum or rotor.

Brake Rotor – The disc component of a braking system, which is attached to a wheel hub and provides a friction surface for braking actions.

Brake Rotor Hat – The integral part of a brake rotor or a separate component that locates and provides attachment for the brake rotor to the hub.

Braking System – A system, including hydraulic and mechanical components, which allows the driver to reduce the velocity of a car.

Breather Vent – An aperture which allows the flow of air into or out of an enclosure.

Bulb – A lighting system component which contains the actual light emitting element(s).

Bulkhead – A partition separating compartments.

Bump Steer – The change in toe-in or toe-out which results from changes in suspension geometry as the wheel(s) rises or falls from its neutral position.

Bump Stop – A cushioning pad which acts as the limit to suspension travel in one vertical direction.

Bumper – A semi-rigid attachment to the structure of a car at the front or rear, which is intended to absorb a portion of low speed front or rear collision forces.

Bumper Block – See Bump Stop.

Bushing/Bush – A sleeve or tubular insert, whose purpose is to reduce the dimension(s) of an existing hole. A protective liner that cushions noise, friction, or movement such as a rod end or spherical bearing.

C-Pillar – The body roof support bordering on the rear window or hatch.

Caliper – A braking system component which is the disc brake equivalent of a wheel cylinder, and converts hydraulic pressure into mechanical braking force at a wheel.

Cam Carrier – That portion of a reciprocating engine that contains the supporting bearings for an overhead camshaft.

Cam Cover – Equivalent to a valve cover in an engine with an overhead cam.

Camber – The angle of a wheel relative to true vertical. Negative camber implies that the top of the wheel is closer than the bottom to the car's centerline. Camber is to be measured at each wheel without driver.

Camber Compensator – A wheel location device designed to control the wheel camber under varying conditions of bump/rebound.

Camshaft – An engine component, driven by the crankshaft, whose function is to actuate the valves, and often, to drive other engine components.

Camshaft Timing – The phase relationship of the camshaft to the crankshaft, which determines when in the crankshaft cycle the valves will open.

Canard (Dive Plane) – An aerodynamic device normally mounted at the extreme front of a (race) car.

Carburetor – The component of a non-fuel injection induction system which achieves the mixing of fuel and air to create a combustible mixture.

Car – See Appendix A, Car.

Caster – The angle which the swivel axis of a steered wheel makes with the vertical in the fore/aft direction.

Catalytic Converter – An emissions control device in the exhaust system which reduces emissions by catalysis.

Catch Tank – A container with the purpose of collecting liquid, generally lubricant or coolant, vented from an engine, transmission, transaxle, or differential and preventing the loss, from the car, of the liquid.

cc – Cubic centimeter (a unit of volume).

Center-Lock – A type of road wheel/hub which is retained by a single central fastener.

Centerline – A line coincident with the axis of rotational symmetry of a component.

Centrifugal Clutch – A clutch which automatically engages in response to an increase from low engine speed, and disengages upon return to low speed operation.

Chain Drive – A drive system in which the engine power is transmitted through a chain and sprockets.

Chapman Strut – An adaptation of the McPherson strut for a rear suspension (without steering swivel).

Check Valve – A valve designed to prevent the flow of a fluid in one direction, while allowing relatively unimpeded flow in the opposite direction.

Choke – A carbureted induction system mechanism which, when actuated, causes an enrichment of the fuel/air mixture to assist cold starting or an intake restrictor (venturi) for the purpose of limiting intake air volume. Also see Restrictor, Intake.

Clinch Nut – A threaded female fastener which has been distorted on one end to supply a gripping force when assembled to a stud or bolt thread.

Clutch – A device whose function is to permit the driver to engage/disengage a power coupling between the engine and the transmission or transaxle.

CO – Carbon monoxide.

Cockpit – The driver/passenger volume within a car in which driver control devices, gauges, and seating are provided.

Coil – The transformer component of an ignition system which converts each low voltage pulse into a pulse of sufficiently high voltage to bridge the gap in a spark plug and initiate combustion in the engine.

Coil-Over Shock – A tubular shock absorber which contains top and bottom mounting locations for a coaxial coil spring, and is used with such a spring supporting the weight of the car.

Cold Air Box – An engine carburetor attachment of unspecified size and composition, whose purpose is to provide a source of ambient air alternate to that existing in the engine compartment.

Component – A constituent part of an assembly.

Compression Ratio – Reciprocating engines: the ratio of the sum of swept plus unswept volumes to the unswept volume. Rotary engines: the ratio of the largest to the smallest volume of the working chamber.

Compression Ring – A reciprocating engine component which is intended to seal the gap between the piston and cylinder wall against the pressure differential arising from compression, induction or combustion.

Compressor (AC) – The engine-driven pressurizing pump in an automotive air conditioning system.

Concentric – Two components or objects are concentric if they share a common centerline.

Condenser (AC) – The portion of an automotive air conditioning system in which the refrigerant in vapor phase is converted to liquid phase.

Connecting Rod – A component physically connecting a piston to a crankshaft in such a way as to convert

the rotary motion of the crankshaft to a reciprocating motion of the piston.

Constant-Velocity Joint – A type of universal joint in which the angular velocities of input and output shafts are held approximately equal.

Cool Suit – A driver’s safety suit which has provision to be cooled by a circulating liquid.

Cooling System – Those components directly associated with the cooling of an engine, including any hoses, fans, pumps, radiators, internal engine passages, galleries, coolant retention components, and coolant entry and exit points, etc.

Cowl Induction – An arrangement in which the incoming air for an induction system is ducted from the cowl area below the windshield.

Crank-Triggered Ignition – An ignition system in which the triggering pulses are obtained from a pickup and wheel connected directly to the crankshaft, or to an intermediate pulley.

Crankshaft – The rotating engine component which, driven by piston/connecting rod assemblies, transmits, for external coupling, the torque resulting from the combustion process.

Crossflow Head – A cylinder head in which the intake and exhaust ports for each cylinder are on opposite sides of the head.

Crown – The top face of a piston at which combustion takes place.

Curvature – The dimension defined by the maximum distance between a curving surface and the straight line between its ends.

Cylinder Liner (Sleeve) – An insert in an engine block which defines the path followed by a piston in its reciprocating motion.

Dash board – See instrument panel.

Decamber (Verb) – To make the wheel camber more negative.

Deck – Generally the rearmost upper body panel of a car, but not present in all cars.

Deck Height – The distance between the top of the piston at its outer edge and the machined surface which forms the head/block interface of the block.

Deck Lid – The access door into the volume (often “trunk”) beneath a deck.

Differential – A gear assembly whose purpose is to reduce the rotational velocity transmitted from the engine/gearbox, while providing a division of driving force to 2 wheels.

Differential Housing – The housing in which the differential (final drive) gears are mounted.

Diffuser – See Aerodynamic Device definition.

Disc Brake – A braking system which relies on the friction between a suitable material in the form of a “pad” and a rotating disc to supply the braking force at a wheel.

Discriminator Valve – A check valve designed to install on the vent line of a fuel cell, allowing vapors to vent while retaining liquid.

Dish – A concave piston crown.

Displacement (Engine) – Reciprocating engine: the swept volume of 1 cylinder times the number of cylinders. Rotary engine: the difference between the largest and smallest volumes of the working chamber, times the number of lobes, times the number of rotors.

Distributor Cap – An ignition system distributor component which contains the high voltage distribution contacts and means for securing the high voltage wires.

Dome – A convex piston crown.

Door Panel – The inner shell of a door which normally supports the trim.

Dowel – A tubular or cylindrical pin, the sole purpose of which is to make positive location of two assembled components possible.

Drive Belt – A continuous flexible reinforced elastomer band which provides the driving force for engine accessories, when attached by pulley to a rotating part of the engine, such as the crankshaft.

Drive Shaft – The mechanical *drivetrain* coupling between transmission and differential, which may allow an angular displacement of the driving and driven axes by the use of universal, constant velocity, or flex joints.

Drivetrain – Those rotating components in a car that convey the driving power from the engine flywheel to the ground and the housings containing these parts. This is inclusive of the clutch, transmission, driveshaft, differential, halfshafts/axles or any systems providing such functionality. Wheel bearings, driveshaft carrier bearings, wheels, and tires are specifically excluded.

Dry Break Coupling – An attachment to an on-board fuel cell/tank filler neck/hose which is designed to prevent the spillage of fuel during refueling operations.

- Dry Sump – An engine lubrication system in which the residual lubricant is pumped to an external storage tank by a “scavenge pump,” and an additional pump or pumps return a supply of pressurized lubricant to the engine from the storage tank.
- Dry Tire – A race tire, often with groove-less tread, intended strictly for use in competition under dry conditions.
- Dryer (AC) – A component of an automotive air conditioning system which is intended to remove water from the refrigerant.
- Duct/Ducting – A tube or enclosed passage for conveying a substance, usually air.
- Dust Shield – A cover intended to protect disc brake components from mud, dirt, etc.
- Eccentric Shaft – The analog of a crankshaft in a rotary engine, the shaft driven by the actions of the rotor.
- EGR Valve – An engine pollution control device which channels a portion of the exhaust gases back into the combustion regions of the engine.
- End Plate – An air control panel mounted at each end and perpendicular to a wing, intended to maximize the efficiency of the wing by preventing spillage of flowing air at the ends.
- Engine – The primary power plant of a car, including all physically attached ancillary components necessary for power production.
- Engine Air Box – An induction system attachment, generally part of the bodywork, which ducts air from an opening protruding into the airstream to the induction system intake(s).
- Engine Case – See rotor housing and/or block.
- Engine Compartment – The loosely defined volume, nominally enclosed by panels on top and sides, which is the normal location of the engine in a car.
- Engine Mount – A passive mechanical coupling used to support the weight of an engine at its attachment points to the structure of a car.
- Engine Steady Bar (Torque suppressor) – A constraining beam or rod intended to resist the tendency of an engine to rotate on its mounts in reaction to torque forces.
- Epitrochoidal Curve – The contour of the interior surface of a rotary engine rotor housing, which, with the rotor, determines the volume of the working chambers at any point in the rotation of the rotor.
- Equivalent – The same form, fit, function, and dimensions.
- Evaporator (AC) – That portion of an automotive air conditioning system in which the transition from liquid phase to vapor phase occurs.
- Exhaust Pipe – A duct of unspecified dimensions, whose function is to convey exhaust products toward the rear of a car and away from the driver.
- Exhaust Port – The duct within a cylinder head or rotor housing through which the exhaust gases pass from the exhaust valve(s) to the outer flange of the head.
- Exhaust System – A passive system, whose components serve to convey the exhaust of an engine past the driver and away from the car.
- Expansion Tank – A container, often operating at system pressures, which is designed to contain engine coolant on expansion at operating temperatures.
- Extension – An external modification resulting in more material on the outside of the component than originally existed.
- Fairing – A covering intended to divert airflow in a specific region of a car, to reduce air drag.
- Fan – A rotating bladed device intended to provide a cooling flow of air to a heat exchanger.
- Fan Belt – A flexible drive belt which is used to drive a water radiator cooling fan, and, often simultaneously, furnish drive to 1 or more other rotating attachments to the engine.
- Fasteners – Any mechanism which serves no other purposes than to cause a component to maintain a fixed position (e.g. bolt, nut, screw, etc.).
- Fender – The body panel covering a road wheel assembly.
- Fender Flare – An attachment to an existing fender which extends the fender outward so as to more completely cover the tire within.
- Fender Skirt – A removable fender extension which partially closes the wheel opening, smoothing the air flow in this region.
- Ferrous – An alloy containing more than 50% iron.
- Filler Cap – A closure which prevents the loss of fuel from the filler neck/hose when the car is in use, but which may be removed for refueling.

Filler Neck/Hose – The attachment to a fuel cell/tank through which fuel is supplied from a source external to the car.

Final Drive Housing – See Rear Axle Housing.

Final Drive Ratio – The ratio of input to output shaft motions in a final drive or differential.

Fire Extinguisher – An on-board container of specified capacity charged with approved fire extinguishing material which provides the driver or others with the capability to control small fires. See Section 9.3.Fire System.

Fire System – An on-board fire extinguishing system designed to be activated in the event of fire, whose purpose is to extinguish or retard the fire, thus providing a measure of protection for driver and car. See Section 9.3.Fire System.

Firewall – A vertical (plus or minus 10 degrees) metal panel separating and protecting the driver/passenger compartment from the engine compartment, preventing the passage of flame and debris. Metal ducts may penetrate the firewall, but must begin and end outside of the driver/passenger compartment. No intakes are allowed in the firewall.

Firing Order – The order in which the cylinders in a reciprocating engine produce power under normal conditions.

Flare (Verb) – 1. To extend by extrusion or attachment a fender so as to more completely cover the tire mounted within (Noun) – 2. Extruded end of a pipe or tube.

Flat Bottom – A race car construction in which the underside of the car is nominally flat and contains no “ground effects” shaping or ducting.

Flat Plate Intake Restrictor – a metal plate with a hole through which all air to the engine must pass shall be round, centered with respect to the throttle body bore or carburetor bore or intake manifold bore to which it is attached; no radiusing, chamfering or beveling of the hole is permitted. Unless otherwise specified in a category, class or individual engine specification, all flat plate restrictors must meet the following requirements (more than one plate may be required in some applications; each shall meet the requirements):

- The restrictor shall be made from aluminum or sheet steel metal with a thickness range of 0.040in - 0.250in.
- The hole through which all air to the engine must pass shall be round, centered with respect to the throttle body bore or carburetor bore or intake manifold bore to which it is attached; no radiusing, chamfering or beveling of the hole is permitted.
- The restrictor plate must be located between the throttle body or carburetor and the engine within 4 inches of the centerline of the carburetor or fuel injection butterfly.
- A steel or aluminum spacer no more than 0.75 inch thick may be placed between the throttle body or carburetor and the restrictor to allow for clearance of the butterfly. The hole must be the same shape and size as the throttle body or carburetor flange; no radiusing, chamfering or beveling of the hole is permitted.
- The restrictor plate shall be mounted on the bolts or studs used to locate the throttle body or carburetor. There shall be no movement of the restrictor plate possible when mounted.

Flex Joint – A coupling designed to fulfill the function of a universal joint, but employing flexible materials to achieve changes in the drive axis.

Float – A carburetor component which, with an associated valve, controls the fuel level in the reservoir supplying the carburetor jet(s).

Float Chamber – The carburetor component which contains the reservoir of fuel supplying the jet(s).

Float Valve – The shut off valve actuated by a carburetor float, which controls the maximum level of the fuel in the float chamber.

Floor Pan – The section(s) of a car normally used as a supporting platform for seats and to physically separate the interior (cockpit) area from the underside of the car.

Fluid – Any material which readily flows at the specified temperature, e.g., liquids and gases at room temperature.

Flywheel – An engine attachment whose normal functions are to provide a gear appropriate for starter engagement, to provide a friction drive surface and attachment points for a clutch pressure plate, and to smooth the flow of power.

Frame – The minimal configuration of a car necessary to contain all running gear and to provide support for the body. Not present on “frameless” or “unibody” cars.

Fuel – The chemical mixture which, when mixed with air, is burned in an engine to produce power.

Fuel Cell – A crash-resistant container for the on-board fuel supply of a car.

Appendix F. Technical Glossary

Fuel Distribution Unit – A fuel injection induction system component which accomplishes the distribution of fuel to the injection nozzles.

Fuel Injection – A system, including mechanical and/or electrical components, whose function is to provide fuel, via pressurized nozzles, to the engine in lieu of carburetion.

Fuel Line – A hose or tube which conveys fuel from one point to another.

Fuel Metering Unit – A component of a fuel injection system which, under external control, determines the quantity of fuel supplied to the engine at any given time.

Fuel Pickup – The attachment to a fuel tank or fuel cell at which point the supply line(s) leading to the fuel pump(s) are attached.

Fuel Pump – A pump, mechanical or electromechanical, whose function is to cause the transport of fuel from the fuel cell or tank to the induction system.

Fuel Tank – A conventional OEM container, not of the safety fuel cell type, for the on-board fuel supply of a car.

Gas Cap – See Filler Cap.

Gasket – A sealing component of unspecified composition which is intended to prevent the leakage of a fluid (air, water, oil, etc.) at the interface between two demountable assemblies.

Gauges – Mechanical or electronic readouts of automotive parameters.

Gear – A toothed *drivetrain* component used, in mesh with another gear, for the transmission of rotational force.

Generator – An engine-driven attachment which produces direct current to replenish an on-board storage battery.

Girdle – A component whose purpose is the structural reinforcement of the bottom end of an engine block. It either replaces the main bearing caps with a continuous block of material containing equivalent bearing mounts or it is a continuous block of material that mates with the existing main bearing caps (which may be machined to achieve the mating).

Grille – The decorative covering for the grille opening.

Grille Opening – The opening in the front of a car, through which cooling air is ducted to the radiator(s), and in some cases, to other accessories, or to the engine.

Ground Effects – A term for a car design in which airflow produces a significant pressure differential between the upper and lower portions of the body/chassis, creating downforce on the assembly.

Gudgeon Pin – English term for piston wrist pin.

Gurney flap - A small tab projecting from the trailing edge of a wing, typically set at a right angle.

Gusset – A brace generally formed by attaching, by welding, a plate at or near the junction of two structural beams or tubes, providing reinforcement particularly in the plane including the tubes and the plate.

H.D. – Heavy duty.

H.T. – High tension. English term for spark plug voltage in regard to ignition components.

Hand Brake – A braking system component causing a braking action on 1 or more wheels, or on another part of the *drivetrain*, which may be actuated and locked in the engaged position by the driver.

Hardship Lap – The driver does not take a complete lap. The driver enters the track at Pit Out and exits the track at Pit In without making a complete lap.

Hardtop – A removable rigid substitute for a convertible or roadster top.

Hatchback – A hinged body component containing the rear window which, in the open position, gives access to the interior of a car from the rear.

Head and Neck Restraint – A protection device which attaches to the helmet and is intended to decrease neck stresses and forward head movement during an impact.

Head Rest – See Head Restraint.

Head Restraint – A cushioned, fixed restraining object intended to protect the driver under conditions which cause the driver's head to be thrust rearward.

Header – A multibranch exhaust system assembly, whose function is to convey the exhaust products from more than one cylinder to one or more exhaust pipes.

Header Tank – A component of an engine cooling system, generally at the top or above the radiator, which is often used as the filling point for the system.

Headlight Cover – A protective cover for headlight(s) which is part of the original configuration of the body design.

Heat Riser Tube – An attachment to an induction system which provides a source of warmed air, generally from the exhaust system, as an aid to cold running.

Heat Sink – A part of a system used to convey and dissipate heat from another part of the system.

Helicoil – A commercial repair for internal threads.

Homologation – A system whereby the manufacturer/competitor certifies that a Formula or Sports Racing car, as produced, complies with the applicable construction specifications. Compliance with the construction specifications does not certify that the car meets the class specific specifications.

Hood – The panel or assembly of panels which cover the engine compartment.

Horn – The audible signaling device with which highway cars are equipped.

Hot Terminal – The terminal of a storage battery which is not connected to the frame or chassis of the car.

Hub – A component to which a road wheel is attached, which provides support for the wheel, and has the capability, via attached internal bearings to rotate on a fixed shaft.

Hub Caps – Decorative removable attachments to the central area of road wheels.

Hub Carrier – A suspension component which provides the means for mounting a rotating wheel hub, and for attachment of suspension components and stabilizers.

Idler Shaft – A shaft which rotates, or supports another component which rotates, without itself transmitting the rotational force.

Ignition System – A system which converts on-board storage battery supply voltage into a timed sequence of high voltage pulses suitable for igniting engine combustion mixtures in a controlled manner.

Independent Suspension – A suspension system in which either wheel on the referenced end of the car can undergo its normal vertical motions without directly influencing the motions of the other wheel.

Induction System – Those engine components directly associated with the creation and conveyance of the combustible mixture, and any functional associated attachments thereto.

Injection Nozzle – The fuel induction system component through which fuel is forced under pressure to form a combustible mixture with air.

Inlet Port – The cylinder head duct leading to intake valve(s).

Insert (Strut) – The replaceable portion of a suspension strut, basically a tubular shock absorber with the necessary fastening element(s) for the upper strut mounting point.

Instrument – An indicator or readout which, when active, contains information about some aspect of car operation for driver reference.

Instrument Panel – A panel, the associated mounting bracket(s), and HVAC ducting components, located within the cockpit of a car, and in a position convenient for driver visibility, which may provide a mounting area for various gauges and controls. Also referred to as a dash pad or dash panel.

Intake – An opening through which fluid/air enters an enclosure.

Intercooler – A heat exchanger associated with a turbocharging or super-charging system, which is intended to reduce the temperature of the incoming air or air/fuel mixture, and is located in ducting between the turbo/super-charger and the engine.

IR – Individual runners. (No balance pipe, no plenum)

Jack Points – Locations on the underside of a car suitable for the application of a lifting jack.

Jack Shaft – A shaft which transfers a driving force from one element of an engine to another, such as the drive for an oil pump and/or distributor, taken from an overhead camshaft.

Jet – A carburetor aperture component which is used to meter air and/or fuel flowing into the mixing region of the carburetor by presenting restriction to the flow.

Kill Switch – See Master Switch.

Lamp – see Bulb.

L.T. – Low tension. English term for battery voltage in regard to ignition components.

Limited Slip Differential – A differential which is designed in such a way as to overcome the normal action of a differential to apply most of the available torque to the least loaded wheel, and instead to apply a significant portion of the torque to the most loaded wheel.

Linkage – A link or system of links (cables, rods, etc.) which convey a mechanical force from one location to another.

Lip-Type Rear Spoiler – A directly attached aerodynamic device which generates downforce from the action of air flowing over a single surface, creating a turbulent depression away from the direction of motion.

Lobe Center – The angular position of a camshaft, defined as that position in the rotation at which the lift of an associated tappet will be greatest.

Locked Differential – A variation of the limited slip differential in which no relative slippage of the two driven wheels is permitted under any conditions.

Lubricant – A substance which, when interposed between components moving with respect to each other, reduces friction and promotes durability. (see section 9.3 Oil and Additives)

Lubrication System – those components directly associated with the lubrication of an engine, including hoses, pumps, heat exchangers, internal engine passages, galleries, lubricant retention components, and lubricant entry and exits points, etc.

Luggage Compartment – The region within the bodywork of a car which is designated as being intended for the carrying of luggage.

Magneto – An ignition system component which generates the electrical power for ignition of combustion with a system of magnets and coils in relative motion.

Main Bearing Cap – A reciprocating engine component which has provision for nominally half of one main crankshaft bearing, and which, when attached to the engine block, may also provide lateral location for the crankshaft.

Manifold – A passive device for conveying gases into or out of an engine, generally to achieve the connection of differing numbers of ducts.

Master Cylinder – A hydraulic component of the braking system which produce positive pressure in the hydraulic lines on the application of mechanical force.

Master Switch – A safety switch which can be actuated by the driver or other to disable all operating electrical functions, without disconnecting the electrical supply to any fire system present.

McPherson Strut – (See strut type suspension) A front suspension type utilizing a strut with integral tubular shock absorber and coil spring, with the steering swivel axis that of the strut/shock. Upper location is by strut only.

Metal – An element that forms metallic bonds between its atoms, is usually shiny, is usually ductile and malleable, usually has a high melting point, is usually hard, and conducts electricity and heat well.

Metallic – A material having iridescent or specular (mirror-like) reflective qualities (e.g. aluminum foil).

Metering Rod – A carburetor component which aids in the metering of fuel flow.

Minimum Weight: *Weight specified with driver, exactly as they come off the race circuit, at the conclusion of any race or qualifying session*

Mirror (Rear View) – A reflective device whose sole purpose is to enable the driver's field of vision to extend in a rearward direction.

Modify/Modification – To change a component from stock.

Monocoque – A frameless construction in which the main structure of a car is composed of a permanent assembly of panels to which the running gear, suspension and body are attached.

Motor Mount – See Engine Mount.

Mudguard – A partial fender, generally not contiguous with the car body.

Muffler – A component, whose function is to reduce the sound level from an exhaust system.

NASCAR-Style Door Bars – If installed, shall consist of one or more sidebars that intrude into the door cavity and connect the main hoop to the front hoop.

Needles (Carb) – Tapered carburetor fuel flow metering shafts, or tapered shafts used in float shutoff valves.

Nitride (Verb) – To heat process ferrous metal components so as to increase the surface hardness.

O-Ring – A seal or gasket, generally made from an elastomer or metal, in the shape of a torus with a circular cross section.

O E M – Original Equipment Manufacturer.

Throughout the GCR a part may be described as OE, OEM, After Market, or Performance Alternative rather than being described by its specific dimensions, capacities, or other by other technical criteria. The definition for these standards, OE, OEM, After Market, or Performance Alternative, are included in the GCR Technical Glossary. These definitions will control unless the subject part is more particularly described within the class or car specific rules or is specifically excepted in the GCR. The protocol for determining whether a part meets the required standard will be as follows:

OE – The described part is that which came on the vehicle or that which would be purchased from the original vehicle manufacturer or an authorized dealer for replacement. OE parts may be manufactured by different suppliers. An OE part may bear the original vehicle manufacturer's name, logo, part number or other identifier that can be used for purposes of verification. Verification may also be achieved by means of the vehicle manufacturer's repair manual or other official documentation.

OEM- The described part is manufactured by the same company that produced the part for the original vehicle manufacturer. The OEM part will be identical to the OE part other than in its markings. To be labeled or considered as an OEM part it must be of the same design as the OE part regardless of its origin. It may be compared against a known OE part (keeping in mind that there may be more than one OE supplier to a vehicle manufacturer) or other documentation from the original vehicle manufacturer.

Aftermarket – These parts are usually copied from an OE/OEM part but are likely not produced by the same manufacturer. The part shall provide the same functionality as the OE/OEM part. Documentation from the part manufacturer or other commercial publications may be considered in making a determination as to whether a part qualifies as aftermarket.

Performance Alternative-These parts are marketed or described by the manufacturer as offering an “upgrade” or performance advantage over the OE, OEM, and After Market parts that they replace. The advantage may be in any area including, but not limited to, increased power, mileage, and durability. Documentation from the part manufacturer or other commercial publications may be considered in making a determination as to whether a part qualifies as “Performance Alternative”.

If during inspection the technical steward cannot readily determine whether a part meets the required definition (OE/OEM/After Market or Performance Alternative) the matter shall be referred to the CRB for a determination.

Competitors are encouraged to utilize the Compliance Review Process described in GCR Rule 8.1.4 to resolve ambiguities in advance of competition.

Offset Key – A metal drive key for coupling a shaft and a pulley, wheel, or sprocket, in which opposite radial ends of the key are offset to achieve adjustment of the phase relationship of the driving and driven parts.

OHC (Overhead Cam) – A type of reciprocating engine in which the camshaft(s) are located in the cylinder head(s), and act on the valves, either directly or through a linkage.

OHV (Overhead Valve) – A type of reciprocating engine in which the camshaft(s) are located in the engine block, and act on the valves through linkage, generally including pushrods and rocker arms.

Oil Filter – An engine accessory intended to intercept all or a portion of the lubricant circulating from the oil pump, and to remove, by trapping, solid particles from the lubricant.

Oil Galley – A passage within an engine block which carries the flowing lubricant to various internal distribution points.

Oil Line – A hose or pipe, external to the engine, which conveys lubricating oil from one point to another.

Oil Pan – An oil sump fixed to the bottom of an engine.

Oil Passage – A duct within an engine component intended to convey lubricating oil.

Oil Pump – A mechanically-driven pump designed to draw lubricant from a reservoir, or sump, and supply it under pressure to the balance of the lubrication system.

Oil Separator – Sealed inline catch tank, generally located between the crankcase vent and intake tract.

Oil Strainer – A screen surrounding the oil pickup in an engine which is intended to keep relatively large solid particles from being drawn into the pump.

Oil Sump – The container in which the return lubricant from the engine is collected to form the supply from which the pump may draw.

Orientation – Alignment relative to its major axis.

Outline – A line that marks the outer limits of an object or figure.

Overhang – The distance which the end of the bodywork extends away from the wheels at the referenced end of the car.

Panhard Rod – A rear axle lateral locating device, which has one end connected via a link to the axle housing, and the other end connected to the car structure or bodywork.

Parkerizing – A commercial process in which a metal part, usually a camshaft, is treated to increase resistance to break-in scuffing.

Parking Brake – See Hand Brake.

Parking Light – A non-racing lighting component, frequently combined with lighting components of other functions, intended to illuminate the extremities of a car while parked.

Phase – The angular relationship between two rotating components, or between 1 rotating component and a periodic event.

Pickup point (Suspension) – The location of attachment of a suspension component on the frame or structure of the car. Pickup point is also referred to as “pivot axis.”

Pilot Bearing – A bearing, generally within one end of a shaft, which is intended to support another shaft under conditions of relative rotary motion.

Piston – A reciprocating engine component whose functions are to provide a partial vacuum with which to induce the flow of fuel/air into the combustion region, to convert the combustion pressures to reciprocating motion, and to expel exhaust gases.

Piston Deck Height – The distance between the top of the piston at its outer edge and the machined surface that forms the head/block interface of the block (piston).

Piston Ring – A reciprocating engine component which, when mounted on a piston, provides either sealing or oil control functions when the engine is in operation.

Pitman Arm – A steering system component which translates the rotation of the steering gears to a linear motion of steering links.

Plenum – An induction system chamber generally interposed between carburetor(s) or air intake(s) and ducts feeding ports.

Points (Ignition) – The switch portion of a distributor actuated by cam lobes, which interrupts the current flowing through the primary windings of an ignition coil, thus generating high voltage pulses which are conveyed to the spark plug.

Polish (Verb) – To reduce the roughness of a surface by mechanical, chemical, or electrochemical means.

Port – See Intake, Exhaust Ports.

Power Brakes – A braking system in which the driver-initiated mechanical force acting on a master cylinder is assisted by a servo mechanism, generally derived from manifold vacuum.

Power Steering – A steering system in which the driver-initiated force acting on the steering gears is assisted by a servo mechanism, usually involving an engine-driven hydraulic pump.

Powertrain – Consists of the combination of an internal combustion Engine and *drivetrain* components. The Engine specifically includes induction systems (carburation, fuel injection, forced and natural, intake manifolds) and exhaust systems (manifolds, headers, turbochargers) up thru and including the flywheel. Ancillaries such as electrical (charging or ignition) or cooling are specifically excluded.

Pressure Equalizing Device – A braking system component intended to equalize or allow adjustment of the relative pressures in separate branches of the hydraulic system (e.g. front/rear).

Pressure Plate – The clutch assembly component which provides the force necessary to couple the engine to the next component in the *drivetrain* through friction surfaces.

Pressure Regulator Spring – A spring whose installed force determines the pressure at which a valve or valve system will open to allow the flow of fluid.

Profile (Verb) – To measure or to reshape the contour of a camshaft lobe, rocker arm or similar component.

Propeller Shaft – See Drive Shaft.

Proportioning Valve – A braking system component intended to allow adjustment of the hydraulic pressures available in separate branches of the system (e.g., front/rear).

Pulley – A rotational attachment for a drive belt.

Pushrod – A cylindrical or tubular reciprocating engine component which transmits a reciprocating motion arising from camshaft rotation to or toward the valves.

Pushrod Tube – An engine component which encloses a pushrod in the region between the engine block and the cylinder head.

Qualifier – (a) One who receives a time, or (b) One who is waived into a race by the Race Director or Chief Steward and starts the race.

Racers Tape – Generally duct tape, an adhesive, fabric-backed tape.

Rack and Pinion – A type of steering system, or the gear components thereof, in which the rotary motions of a pinion gear attached to the steering shaft act on a rack, or linear gear.

Radiator (Cooler) – A heat exchanger intended to remove heat from engine or gear fluids.

Radius (Verb) – To contour an abrupt edge on a component by increasing the radius of the transition.

Rain Light – A light used at the rear of a race car during periods of low visibility as a warning to following cars.

Rain Tire – A racing tire intended solely for competition in wet conditions.

Ram Air – A type of induction system in which the incoming air is obtained from an extension into the airstream outside the bodywork.

Ratio (Gear) – The number of rotations of the drive shaft which produces one (1) rotation of the driven shaft(s).

Rebound – A suspension term referring to motion in the upward direction.

Reciprocating Engine – An internal combustion engine in which the driven actions of one or more pistons are converted to the rotary motion of a crankshaft.

Red Tail Light - A red light at the back of an automobile that makes it possible for the vehicle to be seen from the rear.

Relief Valve – A check valve intended to vent at a predetermined pressure differential.

Remote Reservoir Shock Absorber – Any shock absorber or dampening device which uses an externally mounted (connected either by hose or “piggy back” design) fluid and/or gas reservoir.

Removal – To take off a component.

Repair (Verb) – To remove the effect(s) of accidental damage to a component, returning it to original or legally modified dimensions and function.

Replica – A component identical to or very similar in appearance and function to the original which it replaces.

Resistor Spark Plug – An ignition system spark plug containing electrical resistance which is intended to reduce radio interference.

Restrictor, Intake - any of the following methods of restricting the volume of air entering the intake system on and internal combustion engine.

The following applies to all restrictors:

The specified ID of the restrictor is listed on the vehicle’s spec line, the engine spec line or within general engine specifications for the class. The engine air intake system must be fitted with an aluminum, (alternate materials are permitted where specified) air restrictor. The intake system is defined as an assembly of parts, including but not restricted to: the restrictor, restrictor housing, ducting, filters, air box, velocity stacks, throttle body, carburetors, manifold and manifold gasket up to the intake ports on the cylinder head. The intent of a restrictor in the system is to have a sealed system from the restrictor to the intake ports of the cylinder head. All of the air entering the intake ports shall pass through the specified restrictor. Modification or addition to any part of the intake system that allows the introduction of air into the intake ports that has not passed through the specified restrictor is prohibited.

All restrictors internal shape must be round and centered with respect to the throttle body bore or carburetor bore or intake manifold bore to which it is attached. On engines requiring a restrictor all air entering the intake ports must pass through the restrictor.

Choke - an intake restrictor (venturi) for the purpose of limiting intake air volume.

Flat Plate Intake Restrictor (FPIR) – a metal plate with a hole through which all air to the engine must pass shall be round, centered with respect to the throttle body bore or carburetor bore or intake manifold bore to which it is attached; no radiusing, chamfering or beveling of the hole is permitted. Unless otherwise specified in a category, class or individual engine specification, all flat plate restrictors must meet the following requirements (more than one plate restrictor may be required in some applications; each shall meet the requirements):

The restrictor shall be made from aluminum or sheet steel metal with a thickness range of 0.040in-0.250in. No radiusing, chamfering, or beveling of the hole is permitted. The restrictor plate must be located between the throttle body or carburetor and the engine within 4 inches of the centerline of the carburetor or fuel injection butterfly. Alternate locations may be specified in class specific rules. A steel or aluminum spacer no more than .75 inches thick may be placed between the throttle body or carburetor and the restrictor to allow for clearance of the butterfly. The hole must be the same shape and size as the throttle body or carburetor flange; no radiusing, chamfering or beveling of the hole is permitted. The restrictor plate shall be mounted on the bolts or studs used to locate the throttle body or carburetor. There shall be no movement of the restrictor plate possible when mounted. Alternate mounting may be specified in class specific rules.

Single Inlet Restrictor (SIR) – A system to limit engine performance that meets the following criteria:

The restrictor’s specified ID must be maintained for a minimum length of 3.0 mm. Restrictor mounting/ placement within the intake system is free, but must allow accessibility for measurement. It is acceptable to have some minor disassembly of the intake system to provide access to the restrictor for measurement. Measurement device and restrictor shall be similar temperatures when used.

SIR testing procedure:

The inlet side of the SIR can be cleared of debris that would hinder the proper sealing of the designated SIR Ball. Pressure sensors present inside the intake system must be disconnected. The SIR stall test is to be administered with the idle of the vehicle set at 2500 RPM. The competitor must be prepared to set the RPM at a sustained 2500rpm. The competitor may not be inside the vehicle during testing. The competitor should be prepared to perform the test at full operating temperature or cold. Testing should be accomplished with a stopwatch and measured from the time of insertion of the SIR test ball to the time the crank stops moving. If the vehicle stalls within 4 seconds, the vehicle is deemed compliant of the stall test. In the event of a failed stall test, run the engine to clear any accumulated fuel in the Plenum. At this point, the test is to be repeated two (and only two) more times and it must pass both times. All parts of the intake system, must withstand all three of the possible stall tests without modification or repair to any part of the system. If the system suffers damage that prohibits the system from

achieving a compliant result it cannot be repaired to conduct subsequent tests. The system is to be tested as is and the result is considered "as qualified or raced". It is the responsibility of the competitor to present a system that can withstand every possible scenario that would or could result in a failed SIR stall test. The intake system shall be visually inspected for devices and design that could result in induction of additional air that did not pass through the SIR. Introduction of air behind the SIR by any means is prohibited. All inspections must be done in "as qualified or raced" condition.

Supercharger Inlet Restrictor (SCIR) - The restrictor's specified ID must be maintained for at least 3.0 mm. This 3.0 mm restrictor segment shall be placed within 50 mm of the rotating section (impeller assembly) of the pressurizing unit.

Throttle Body Restrictor (TBR) - All throttle body (TBR) restrictor plates must be made of aluminum, and must be a minimum of 0.375 inch thick and a maximum of 0.500 inch thick. The maximum inlet radius must be 0.375 inch. The remainder of the restrictor bore must maintain the required diameter. No other radiusing, tapering or chamfering is allowed. It must be mounted directly in front of the inlet (primary) side of the throttle body.

Turbo Inlet Restrictor (TIR) -

The restrictor's specified ID must be maintained for at least 3.0 mm. This 3.0 mm restrictor segment shall be placed within 50 mm of the rotating section (impeller assembly) of the pressurizing unit. On engines where the approved turbo prohibits meeting this distance, different locations may be approved by the CRB on a case-by-case basis. If an alternative location is approved, the entire restrictor assembly shall have a maximum length of 50 mm. There shall be no other provisions for airflow to the turbo-charger other than through this single orifice.

Venturi Restrictor- see venturi and choke.

Ride Height - The distance from level ground to the specified portion of the car, with the tires, wheels, air pressure, etc., as normally raced. To be measured without driver.

Rim Width - The distance between the opposing lateral sides of a road wheel in the region where the bead of a tire seats. Measuring method per tire and rim association standard.

Ring Gear - The main driven gear in a final drive assembly, driven by a pinion gear. Also the starter engagement gear on a flywheel.

Rocker Arm - A valve train component which transfers the motions of the camshaft, often with a multiplication of travel, to a valve.

Rocker Cover - See Valve Cover.

Rocker Panel - The body panel closest to the ground extending along either outer side of a car between the wheels.

Rod End - A load-bearing threaded mechanical coupling with angular freedom of the relative axes and which allows rotation of the inner portion with respect to the outer, i.e. spherical bearing.

Roll Bar - A safety device designed to protect the driver from injury in the event of a roll over accident. See Section 9.4.

Roll Cage - An extension of a minimal roll bar, designed to protect the driver from injury from accidental forces in several directions. See Section 9.4.

Roller Cam Follower - An engine component (tappet) which utilizes a rolling member to contact the camshaft.

Rotary Engine - A non-reciprocating engine of the NSU-Wankel type.

Rotary Engine Rotor - The main rotating component of a rotary engine, which essentially accomplishes the compression, power delivery and exhaust functions of a reciprocating engine in constrained rotation in a specially shaped housing.

Rotary Piston - See Rotary Engine Rotor.

Rotor Housing - The housing of a rotary engine in which the rotor rotates. Analogous to the engine block of a reciprocating engine.

Rub Strip - Expendable material added to bottom of a car to prevent contact with the road surface from damaging non-expendable portions of the car.

Runner - A duct of an induction system leading to the cylinder head.

Running Light - A signaling light of specified size and location, which can be activated by driver control, and is intended to improve the ability of other drivers to detect the signaling car.

Scattershield - A stationary safety device intended to protect the driver in the event of catastrophic clutch/flywheel failure.

Scraper - A passive internal attachment to an oil pan whose purpose is to control the return flow of lubricant by removing it from the rotating crankshaft.

Seal – A conformable sealing component generally used to inhibit the passage of fluids along the shafts of moving parts, such as valves, master cylinders, etc.

Seat Belt – A safety strap, generally containing the attachment/release mechanism for all other safety straps, intended to restrain the driver against forces tending to move the driver. See Section 9.3. Driver's Restraint System.

Section Width – The lateral cross section of a tire, sidewall to sidewall.

Servo Assist – The application of mechanical assistance, through vacuum or hydraulic or other external action, to reduce the forces required from the driver.

Shaved Tread – A tire tread which has been abraded or cut to reduce the tread depth.

Shift Fork – A transmission or transaxle component which directly moves gears into engagement or disengagement in response to driver actions.

Shock Absorber – A device intended to dampen the actions of road springs.

Short Shift Kit – A mechanical modification or replacement of shift lever or shift linkage parts only, to modify the throw of the shifter. It does not change the pattern, syncros, gear ratios, gears, bearings or any other internal parts from the original.

Shot Blasting – See Shot Peening.

Shot/Glass Peening – A treatment, consisting of impelling small glass or metal balls into metal parts, intended to reduce stresses in components.

Shoulder Harness – A safety strap assembly intended to restrain the driver's upper body under conditions of rapid reduction of forward velocity. See Section 9.3. Driver's Restraint System.

Side Marker Light – A small light fixture normally mounted on the side of a fender, which is intended to make the car more readily visible from the side under appropriate conditions.

Signal Light – A light fixture used to signal turns or, in some cases, stops.

Single Inlet Restrictor (SIR) – See Restrictor, Intake.

Slave Cylinder – A hydraulic system component which achieves the conversion of hydraulic pressure to mechanical force, usually to accomplish a disengagement of the clutch.

Space Frame – An automotive frame constructed of multiple small tubes. See also Tube Frame.

Spark Plug – An engine component which, by means of high voltage supplied by an ignition system, initiates the combustion of the air/fuel mixture.

Specification – A detailed presentation of parameters which determine the performance or suitability of a system or assembly of systems to accomplish design goals.

Spherical Bearing – A load-bearing connector in which the central portion is convex and the outer portion is concave, allowing both angular displacements of the axes and relative rotation.

Spider Gears – Components of the torque division section of a conventional differential gear assembly.

Spindle (Stub Axle) – The shaft, and integral assembly supporting a wheel hub, and often, braking and/or steering components.

Spoiler – A panel attached to the body of a car at the front or rear, intended to alter the airflow around or under that end of the car when in motion.

Spring Cap – See Valve Spring Retainer.

Spring Shock – A suspension assembly containing a coil spring surrounding a tubular shock absorber.

Spring Washer – A spacer designed to exert force against securing pressure, thus reducing the tendency of an attached threaded fastener to separate.

Sprocket – A gear made specifically for use with a drive chain.

Stabilizer – An attachment to the suspension system, not usually part of the suspension, which aids in maintaining the relative alignment of a wheel or wheels to the car.

Starter (Self Starter) – An electrical device which is used to initiate normal engine operation by converting electrical energy into mechanical rotation of the engine.

Starter Ring – The gear on the outer periphery of a flywheel for application of drive from a starter.

Stayrod – A rigid reinforcement bar or rod interconnecting opposite sides of a car at structurally significant locations.

Steering – The mechanical system of components that allow a wheel to be turned side to side to follow the desired course of its driver.

Steering Arm – The rigid link in a steering system which conveys the steering action from the steering gears and linkage to a wheel assembly.

Steering Column – The shaft forming the connection between the steering wheel and the steering gear, through which driver-initiated steering motions are transmitted.

Steering Linkage – The various components, exclusive of gears, steering column and steering wheel, which transmit the driver's steering motions to the steered wheels.

Steering Lock – The degree of turning motion given to the steering wheel, and hence to the steered wheels. "Full lock" denotes the maximum available turning angle.

Steering Lock Mechanism – An antitheft device used to lock the steering shaft or wheel when the ignition key is withdrawn.

Stewards of the Course (SOC) – The location on track where incidents are investigated by the stewards, may also be called Black Flag Station.

Stock – In the exact same state or location as supplied by the original manufacturer.

Streamlining – Smoothing the airflow over a portion of the car.

Stroke – The length of travel of an engine piston from uppermost to lowermost positions.

Strut (Stabilizer) – A rigid beam used to assist in the location of suspension components.

Strut Type Suspension – Strut suspension consists of three pivoting attachment points including a single upper attachment point, the spindle being mounted on a telescoping post with no vertical movement at the top attachment point.

Stub Axle – See Spindle.

SU-type Carburetor – Any single barrel automotive-type side draft, overhead sliding piston type carburetor regardless of manufacturer.

Sub-frame/Cross Member – A component attached to the frame or structure of a car in order to augment its strength while at the same time serving as a platform for mounting suspension and *drivetrain* components.

Substitution – To remove a component and replace it with another.

Surround – To enclose on all sides.

Sunroof – A movable panel in the roof of a car, which may normally be partially opened from within the car.

Supercharger – An induction system compressor component, mechanically driven from the engine, which provides forced flow of the fuel/air mixture into the engine by the generation of positive pressure.

Suspension – A mechanical system of components controlling vertical motion and connecting the axle housing and wheels to the chassis of a car.

Suspension Bushing – A hollow cylindrical mounting component which acts as a bearing, allowing constrained motion, between a suspension component and attachment point.

Suspension Control Arm – A beam or frame intended to limit the normal motion of the affected suspension part to predetermined paths.

Swaged Fitting – A tubing fitting which utilizes some form of extrusion of the tubing to form a seal against the leakage of pressurized fluid from within the tubing.

Sway Bar – See Anti Roll Bar.

Synchronizer – A transmission component which aids in matching speeds of 2-gears as they are engaged.

System – An assembly of components with an identifiable primary function.

T-type Top – A body design in which the roof contains, above the front seats, 2 removable panels separated by a fixed section which joins to the balance of the roof.

Taillight – The running (parking) light assembly at the rear of a car, which may include lights with stop and/or turn signaling functions.

Tap (Verb) – To cut threads in a hole to retain a stud or bolt with threads of matching pitch and diameter.

Tappet – (Cam follower, valve lifter) An engine component which, in contact with the camshaft, follows its rotating profile, resulting in a programmed reciprocating motion suitable for actuating valves.

Targa-Type Top – An automotive roof design in which the area over the front seats is removable.

T D C – Top dead center, referring to the rotational position of the crankshaft when the number one piston is farthest from the crankshaft.

Tender Spring – A spring used to capture the spring with the perches at full droop and are completely compressed when the car is at static ride height. Static ride height shall be determined with driver seated in the normal driving position.

Thermostat – An engine cooling system regulator device which is intended to control the temperature of the coolant by modulating the flow through an aperture.

Throttle Body - A device mechanically and/or electrically controlled by driver input, located on the intake side of the fuel induction system which regulates the volume of air and/or air fuel mixture flowing into the engine. On Throttle body induction systems all air entering the induction system must pass through the throttle body.

Throttle Butterfly – An induction system component which may effectively vary the area of the induction port when turned (in response to driver input) from parallel to the flow in the port (“full throttle”), to almost perpendicular to the flow (“closed throttle”).

Throwout Bearing – A bearing which, in response to driver actuation, accomplishes the application of the force needed to release the friction clutch through the actuation of the pressure plate.

Tie Rod – The link connecting a portion of the steering system which is fixed to the chassis to a sprung wheel.

Time (Verb) – To adjust the phase relationship of ignition and crankshaft, or of camshaft(s) and crankshaft.

Timing Belt – A toothed belt used, with appropriate pulleys, to convey drive force in a synchronous manner from the crankshaft to one or more camshafts.

Timing Gear – The engine gear or sprocket attached to a camshaft and driven by the crankshaft via gear(s) or chain.

Tire Tread – The portion of a tire containing the material intended to be in road contact while a car is in straight-ahead motion.

Toe (-In, -Out) – The measure of the position of the wheels on either axle of a car with respect to each other, with reference to the fore/aft direction.

Tonneau Cover – A cover for the passenger portion of an open car.

Top (Removable) – A removable covering for an open car, normally supplied for protection against the elements.

Torque Biasing Differential – A form of limited slip differential.

Torque Converter – An engine-driven power transmission device which couples driving and driven shafts with a variable speed reduction.

Torque Suppressor – See Engine Steady Bar.

Torsion Bar – A bar or beam intended to act as a springing medium, in which the “springing” is derived from resistance to twisting along the main axis of the bar.

Track – The distance between the center of the rims of two wheels at one end of a car, with any angular adjustments at normal settings and steered wheels in the straight ahead position.

Traction Bar – A longitudinal link to an axle housing or hub carrier which resists torque reaction from the driven wheel(s) by acting in compression or tension.

Traction Control – Any system that employs electronic signals to reduce wheel spin, independent of direct driver inputs. To achieve their goal, such systems may, for example, reduce engine speed, reduce fuel flow, selectively apply braking, or modify differential input.

Trailing Arm – A wheel control linkage locating the wheel in the fore/aft direction, which is attached to the car structure at the forward end of the arm, and to the wheel carrier at the rear of the arm.

Transaxle – A component containing the mechanisms necessary to achieve the combined functions of a transmission and a differential.

Transistor Ignition – A system of ignition in which electronic components are utilized.

Translucent – Permitting the passage of a reasonable amount of visible light. In the case of fluid containers, permitting the visual assessment of fluid levels by observing these through the container.

Transmission (Gearbox) – An assembly of driver-selectable gears in an independent housing, located between the engine and driven wheels, whose function is to alter the rotational velocity reaching the wheels.

Transmission Short Shift Kit – see Short Shift Kit.

Transparent – Offering very little resistance to the passage of visible light, suitable for use in the line of sight.

Transverse Engine – An engine located in a car such that the crankshaft centerline is nominally perpendicular to the normal direction of car motion.

Trim – Coverings or attachments whose function is solely cosmetic.

Trued Tread – The tread of a tire which has been cut after mounting on a wheel so as to ensure that the surface of the tread is equidistant from the center of the wheel at all angles of rotation.

Trumpet – See Velocity Stack.

Trunk Area – The spare tire and/or luggage region inside the body of a car.

Tub – The central contiguous assembly of stressed panels which form the basic structure of a frameless car.

Tub-based (non tube-frame) Car – A non-tube frame car has a stock floor pan, firewall, door pillars, sills,

windshields conforming to stock profile, and window frames, etc.

Tube Frame Car – A car intended solely for racing, whose main structure or frame is fabricated from an assembly of tubes welded into the desired configuration.

Tuftriding – A commercial surface hardening process for ferrous metals.

Turbo Boost Control – An adjustment which causes a change in the degree of turbo boost available.

Turbo Inlet Restrictor – See Restrictor, Intake.

Turbocharger – An induction system compressor component, driven by exhaust gases from the engine, which provides forced flow of the fuel/air mixture into the engine by means of positive pressure.

Undertray (Belly Pan) – An attachment to the underside of a car intended to smooth airflow and/or to offer driver protection in this region of the car.

Unibody – A type of construction in which the main car structure is fabricated from an assembly of panels and reinforcements, permanently fastened together, generally by welding, into a single unit.

Universal Joint – A mechanical *drivetrain* component which permits a change in direction of the axis of rotation conveying the force.

Unswept Volume – The enclosed volume existing in a cylinder/cylinder head with the piston at its closest approach to the cylinder head.

Vacuum Advance Mechanism – An ignition distributor mechanism which, under the influence of manifold vacuum, changes the ignition timing in a prescribed fashion.

Valance – Bodywork welded or bolted to the cars body/structure, at the front or rear of a car, normally but not always located behind and/or below the bumper.

Valve – A reciprocating engine component, consisting of head and a stem, which may be opened or sealed in phase with crankshaft rotation, so as to control the induction of fuel/air mixtures or the exhaust of products of the combustion process.

Valve Cover – A cylinder head attachment whose function is to contain lubricants and to protect the valve actuation mechanism from outside contaminants.

Valve Guide – A sleeve bearing whose function is to provide axial location of a valve, while allowing normal reciprocating motions.

Valve Head – The portion of the valve that is larger than the stem.

Valve Keeper – The component, generally two-piece, which secures the valve spring retainer to the valve stem in a cylinder head.

Valve Relief – A cutout in a piston crown to allow close approach of a valve.

Valve Seat – The area in a cylinder head in which the head of a valve under spring pressure forms a gas seal.

Valve Size – The diameter of the head of a valve.

Valve Spring Retainer (Collar) – A valve train component which serves the dual purpose of containing the outer end of the valve spring(s), and, by means of valve keepers, connecting the valve stem to the spring.

Valve Spring Shim – A valve train component whose purpose is to allow the adjustment of the seated valve spring pressure by effectively changing its seated length.

Valve Stem (Engine) – The shaft portion of a reciprocating engine poppet valve.

Valve Stem (Wheel) – The attachment to a road wheel through which pressurizing air is admitted/released.

Vapor Lock – A condition in the fuel delivery system caused by the existence of vapors, rather than liquid fuel, in the fuel pump, resulting in abnormal fuel delivery.

Variable Ratio Drive – A power transmission device in which at fixed input shaft rotational velocity the rotational velocity of the driven shaft is continuously variable over a prescribed range of ratios.

Velocity Stack (Air Horn/Trumpet) – An induction system attachment, generally in the form of a cylindrical flare, used to alter the dynamic coupling between carburetor and the mass of incoming air.

Vent – An aperture which allows pressure equalization between a semi-sealed volume and the outside of this volume by providing a flow path for gases.

Ventilation – Cooling a component by an intentional flow of air, or modifying a component so as to facilitate this process.

Venturi – A region of constriction in an air duct of a carburetor in which, through the actions of incoming air flow, a reduced pressure is created to induce the inflow of fuel through one or more jets. Also see Restrictor, Intake.

Vibration Dampener – Generally a rubber-mounted rotating circular disc or pulley whose function is to reduce the amplitude of vibrations in the mechanism or part to which it is attached.

Visible – Capable of being seen, perceptible to the eye, apparent, evident.

Voltage Regulator – An electronic or electromechanical device intended to regulate the charging actions of an alternator or generator.

Warmup Session – A warmup session is a time certain session of laps that are intended to allow drivers to test their vehicles prior to race sessions.

Watts Linkage – A rear axle lateral location system which employs a frame/body-mounted central pivoting attachment (bell crank) for 2 lateral links, whose opposite ends are attached to either end of the axle housing or vice versa.

Wave Washer – A thin, continuous spring washer.

Welding – The process of fusing one or more components into a single unit by means other than adhesives or fasteners (i.e. TIG, MIG, soldering, brazing, etc.).

Wheel – Flange and Rim.

Wheel (Steering) – The cockpit-mounted control device, normally circular, which allows the driver to exert manual force with which to control the car's direction of motion.

Wheel Cover – A removable decorative covering for a road wheel.

Wheel Cylinder – A hydraulic component of the braking system, which produces mechanical force at the wheel brakes in response to positive hydraulic pressure.

Wheel Fan – An integral part of or attachment to a wheel assembly with blade-like elements, intended to improve brake cooling.

Wheel Spacer – A plate of unspecified thickness or material which is mounted between a road wheel and hub to increase the distance from the inside of the wheel to the hub, thereby increasing track.

Wheel Trim Rings – Decorative removable attachments to road wheels effectively covering the rim area of the wheels.

Wheel Well – The volume under a fender.

Wheelbase – The distance between the front and rear axle centerlines of a car, with the front wheels in the straight ahead position.

Wickerbill - (see Gurney flap)

Windage Tray – An internal baffle attachment to an engine oil pan which is intended to help maintain a sufficient supply of lubricant at the location of the oil pickup under cornering, braking or acceleration.

Windows: –

A. Door or Side – The opening where the window normally is raised or lowered in a door. Does not include a “vent” window whether fixed or movable.

B. Quarter (1/4) – On a 2-door or 4-door vehicle, the window to the rear of the rearmost door. Such windows are not generally raised or lowered, but they may be hinged and open to the rear. Quarter windows are not “rear” windows.

C. Rear – Rear windows are positioned at right angles to the longitudinal axis of the car.

Windshield (Windscreen) – An attachment to the bodywork of a car intended to divert the flow of air from forward motion without obstructing forward vision.

Windshield Pillar – A body component which extends nominally upward from the cowl area, forming one supporting attachment for the windshield.

Wing – An aerodynamic attachment to the structure of a car specifically intended to generate downforce from the action of air flowing over the upper and lower surfaces, creating a pressure differential.

Wiring Harness – Bundles of electrical wires which provide the electrical links in a car.

Wishbone Type Susp. – A form of suspension in which the lower (and often upper) locating links are in the form of a wishbone or “A-frame”, and provide the lateral and at least a portion of the fore/aft wheel location.

Working Chamber – The volume in a rotary engine which is defined by the case and the two adjacent rotor tip seals, and which will vary in capacity with position in rotation.

Worm and Sector – A steering gear type in which the steering forces from the driver are transmitted to the steering linkage via a worm gear and a sector gear in mesh.

Wrist Pin – The one-piece physical link between a connecting rod and a piston.

Zerk Fitting (Grease gun fitting) – A small check valve attachment to a bearing housing through which pressurized lubricant may be applied to the bearing.

NOTES:

APPENDIX G. FACTS, FORMULAS, AND MEASUREMENT STANDARDS

1. FACTS AND FORMULAS TO BE USED AT ALL SCCA EVENTS

$$1 \text{ inch} = 2.54 \text{ cm} = 25.4 \text{ mm}$$

$$1 \text{ cubic inch} = 16.387 \text{ cubic cm}$$

$$1 \text{ millimeter} = .03937 \text{ inch}$$

$$1 \text{ kilometer} = 1000 \text{ meters} = .62137 \text{ mile} = 1093.6 \text{ yards}$$

$$1 \text{ mile} = 1,760 \text{ yards} = 1.60934 \text{ kilometers}$$

$$\text{Miles per hour} = \text{kilometers per hour} \times .62137$$

$$\text{Kilometers per hour} = \text{miles per hour} \times 1.60934$$

$$1 \text{ cubic centimeter} = .061 \text{ cubic inch}$$

$$1 \text{ liter} = 61.03 \text{ cubic inches} = 1000 \text{ cubic centimeters (cc)}$$

$$1 \text{ kilogram} = 2.21 \text{ pounds}$$

$$1 \text{ pound} = 453.6 \text{ grams}$$

$$\text{Cylinder volume (displacement)} =$$

$$\frac{3.1416 \times \text{bore} \times \text{bore} \times \text{stroke}}{4}$$

4

$$\text{Engine displacement} = \text{Cylinder volume times number of cylinders}$$

$$\text{Compression ratio} = \frac{V1 + V2}{V2}$$

V2

Where V1 is total volume of one cylinder:

sum of swept plus unswept volumes.

V2 is enclosed volume existing in a cylinder/cylinder head with the piston at its closest approach to the cylinder head.

$$\text{Piston speed (ft. per min.)} = 2 \times \text{RPM} \times \text{stroke in feet}$$

$$\text{Brake Horsepower (BHP)} = \frac{\text{RPM} \times \text{torque (in lbs ft.)}}{5252}$$

5252

Note: Formula is actually: $6.28 \times \text{RPM} \times \text{torque}$

33,000

6.28 into 33,000 we get 5250

$$\text{Torque} = \text{BMEP} \times \text{Swept volume (in cc)}$$

2473

$$\text{Frontal Area (for figuring air resistance)} = T \times H \text{ (square feet)}$$

144

Where T is front tread in inches, H is overall height in inches.

$$\text{MPH} = \text{RPM} \times \text{wheel diameter (in inches)}$$

gear ratio \times 336

Note: Wheel diameter is overall diameter of the inflated tire, not the nominal diameter of the wheel.

2. MEASUREMENT STANDARDS

The following specifications shall meet the standards set below unless otherwise specified or unrestricted in the individual category or class preparation rules. Any specification not listed herein shall meet stock factory specifications unless otherwise specified or unrestricted in the individual category or class preparation rules. For these specifications, the tolerance shall be equivalent to $\frac{1}{2}$ of the final digit of the specification (e.g. $.01''$ tolerance equals $\pm .005''$). Absolute maximum means tolerances of $+0.000$ inches or $+0.00$ millimeters. Absolute minimum means a tolerance of -0.000 inches or -0.00 millimeters. Measuring devices available to

scrutineers differ from location to location so it is the responsibility of the driver to insure that measurements comply with these rules.

1. Weight is absolute minimum. *Any vehicle minimum weight that is not a whole number shall be rounded to the nearest whole number as follows: fractional weights ending in .50 pound or above round up to the next whole number; fractional weights .49 pound and below round down to the next whole number.*
2. Track is absolute maximum.
3. Rim width is absolute maximum.
4. Wheelbase has a tolerance of +/-1.0"
5. Valve size is absolute maximum +0.1 mm.
6. Throttle bore and/or venturi size and intake restrictor size is absolute maximum.
7. Drum brake size is nominal i.d. plus manufacturer's "turning" tolerance.
8. Disk brake rotor diameter has a tolerance of +0.1".
9. Engine cylinder bore is absolute maximum before allowable overbore.
10. Engine stroke length is absolute maximum +0.1 mm.
11. Valve lift is absolute maximum.
12. Compression ratio is absolute maximum
13. Dielectric Constant has a tolerance of +0.2. (G-01 and FTK-01 meters) or +2 (DT-47FT and FT-64 meters).

3. MEASURING COURSES

The official length of a course shall be measured along the centerline of the road.

4. MEASURING TRACK

Track is the distance between the centerlines of the wheels as raced, without driver, measured at a horizontal plane through the wheel hub centerline. Alternatively, it may be measured from the inside of one wheel at the hub centerline height to the outside of the other wheel, then conversely from the outside of the first wheel at hub centerline to the inside of the second wheel. The 2 dimensions obtained are to be added together and divided by 2 to obtain the average. Measurements are to be taken at both front and rear of the wheels and averaged to compensate for toe-in/out. Under certain circumstances it may be preferable to measure from the outside of one wheel to the outside of another and from this dimension deduct the thickness of one wheel. This should be repeated 180° opposite to the first measurement and the two dimensions averaged.

5. MEASURING WINGS

For all Formula and Sport Racing cars and unless otherwise specified in the applicable rules the measurement of aero dynamic devices and reference areas shall include end plates but not include fasteners as long as the fasteners serve no other purpose. Fasteners may protrude no more than 1/2" from the mounting surface.

APPENDIX I. 2007 ROLL CAGE RULES

This appendix is present so that cages in cars with logbooks from 2007 and earlier can be verified for compliance with the construction rules required at the time the car was built.

9.4. DRIVER PROTECTION STRUCTURES

These general specifications are for all automobiles. Roll cages are required in all automobiles.

Roll cages may be of two (2) designs, low front hoop (top of steering wheel) or high front hoop (top of windshield). Specific installations are subject to approval by the Technical and Safety Inspectors at each event.

The Technical Staff of Club Racing shall have the responsibility to ensure specification compliance with SCCA safety standards. To that end, the Technical Staff of Club Racing may or may not accept alternate construction standards from any source that significantly vary from SCCA standards of protection.

9.4.1. BASIC DESIGN CONSIDERATIONS

- A. The basic purpose of the roll cage is to protect the driver if the car turns over, runs into an obstacle such as a guardrail or catch fence, or is struck by another car. It shall be designed to withstand compression forces from the weight of the car coming down on the rollover structure and to take fore/aft and lateral loads resulting from the car skidding along on its rollover structure.
- B. Forward braces and portions of the main hoop subject to contact by the driver's helmet (as seated normally and restrained by seatbelt/shoulder harness) shall be padded with non-resilient material such as Ethafoam® or Ensolite® with a minimum thickness of one-half (1/2) inch. Padding meeting SFI spec 45.1 or FIA 8857-2001 is strongly recommended.
- C. No portion of the safety roll cage shall have an aerodynamic effect by creating a vertical thrust.
- D. Roll cage or chassis design shall prevent engine intrusion into the driver compartment.
- E. Material:

1. Seamless, or DOM (Drawn Over Mandrel) mild steel tubing (SAE 1010, 1020, 1025) or equivalent, or alloy steel tubing (SAE, 4130) shall be used for all roll cage structures. Proof of use of alloy steel is the responsibility of the entrant.

2. Minimum tubing sizes (all Formula, Sports Racing, GT, and Production Category automobiles, and all automobiles registered prior to June 1, 1994) for all required roll cage elements (All dimensions in inches):

Vehicle Weight Without Driver	Mild Steel	Material	Alloy Steel
Up to 1500 lbs.	1.375 x .095		1.375 x .080
1500-2500 lbs.	1.50 x .095		1.375 x .095
Over 2500 lbs.	1.50 x .120		1.50 x .095
	1.625 x .120		
	1.75 x .095		

3. Minimum tubing sizes for (all Showroom Stock, Touring and Improved Touring Category automobiles registered after June 1, 1994) for all required roll cage elements (All dimensions in inches):

Up to 1500 lbs.	1.375 x .095	DOM / Seamless / Alloy
1501-2200 lbs.	1.500 x .095	DOM / Seamless / Alloy
2201-3000 lbs.	1.500 x .120	DOM / Seamless / Alloy
	1.625 x .120	DOM / Seamless / Alloy
	1.750 x .095	DOM / Seamless / Alloy
	(American Sedans may construct to these specs regardless of weight.)	
3001-4000 lbs.	1.750 x .120	DOM / Seamless / Alloy
Over 4000 lbs.	2.000 x .120	DOM / Seamless / Alloy

Note: ERW tubing is not permitted in any car registered after 1/1/2003.

Main hoop: 4 bends max., totaling $180^{\circ} \pm 10^{\circ}$

Front hoop: 4 bends max. or

Front downtubes: 2 bends max.

Rear hoop supports: No bends.

If any of the above bend requirements cannot be met, all components of the roll cage shall be fabricated from the tubing size(s) listed for the next heavier category of automobiles.

4. For purposes of determining tubing sizes, the vehicle weight is as raced without fuel and driver. The minus tolerance for wall thickness should not be less than .010" below the nominal thickness. Improved Touring roll cage tubing size are to be calculated based on the published vehicle weight minus 180 lbs.
5. An inspection hole at least 3/16 inch diameter, but no greater than 1/4 inch diameter shall be drilled in a non-critical area of the front and rear hoop as well as the one of the supplemental braces to facilitate verification of wall thickness. Formula Cars and Sports Racers with alternate roll struc-

tures are not required to have inspection holes, the wall thickness will be indicated on the back of the homologation certificate.

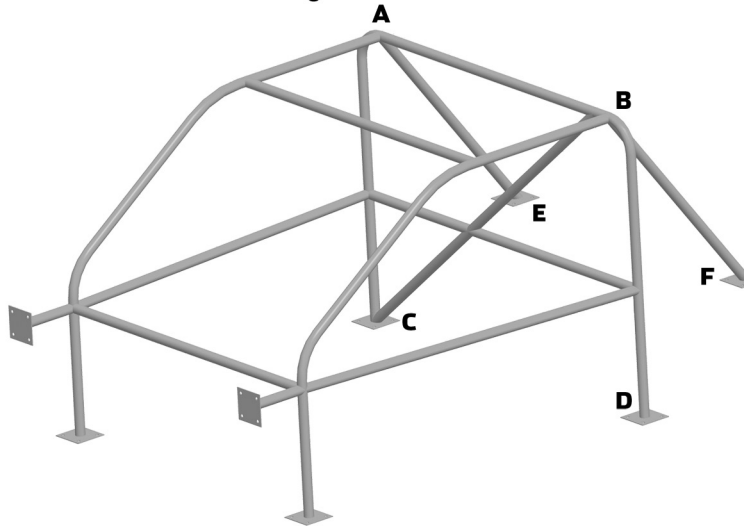
F. General Construction

1. One (1) continuous length of tubing shall be used for the main hoop member with smooth continuous bends and no evidence of crimping or wall failure. The radius of bends in the roll cage hoop (measured at centerline of tubing) shall not be less than three (3) times the diameter of the tubing. Whenever possible, the roll cage hoop should start from the floor of the car, and, in the case of tube frame construction, be attached to the chassis tubes by means of gussets or sheet metal webs with support tubes beneath the joints to distribute the loads. It is recommended that gussets be used.
2. Welding shall conform to American Welding Society D1.1:2002, Structural Welding Code, Steel Chapter 10, Tubular Structures. Whenever D1.1 refers to "the Engineer" this shall be interpreted to be the owner of the vehicle. Welds shall be continuous around the entire tubular structure.
All welds shall be visually inspected and shall be acceptable if the following conditions are satisfied:
 - a. The weld shall have no cracks.
 - b. Thorough fusion shall exist between weld metal and base metal.
 - c. All craters shall be filled to the cross section of the weld.
 - d. Undercut shall be no more than 0.01 inch deep.
3. Aluminum bronze or silicon bronze welding technique is permitted, but extreme care shall be used in preparation of parts before bronze welding and in the design of the attaching joints.

9.4.2. SHOWROOM STOCK ROLL CAGE

- A. Full width roll cages are required in all Showroom Stock automobiles. Roll cages installed in Showroom Stock automobiles are for driver safety and shall be contained entirely within the driver/passenger compartment without removing any panel or accessory not specifically authorized in these rules. The carpet/padding may be cut around the mounting base plates.
 1. The cage need not be removable. It shall be bolted and/or welded to the car.
 2. It shall attach to the car at no more than eight (8) points, consisting of the basic cage with six (6) points and two optional braces.
 3. The forward part of the cage shall be mounted to the floor of the vehicle. In addition, if the two optional braces referred to in item 2, above are utilized they shall be mounted, one on either side, from the forward section of the cage to the firewall or front fender wells (see figure 16). No braces shall pass through the front firewall.
 4. Rollcage gussets shall be no thicker than .125". A maximum of two gussets per rollcage joint are allowed.
- B. Removable roll cages and braces shall be very carefully designed and constructed to be at least as strong as a permanent installation. If one tube fits inside another tube to facilitate removal, the removable portion shall fit tightly and shall bottom by design and at least two (2) bolts shall be used to secure each such joint. The telescope section shall be at least eight (8) inches in length except for the door bars which shall be a minimum of four (4) inches in length. Minimum bolt diameter is 3/8 inches.
- C. For tubing sizes for front and main hoop and all required bracing, see 9.4.1.E.3.

Figure 16



**Improved Touring diagonal: tube A-D or B-C is required
Six point minimum, eight point maximum**

D. Main Roll Hoop:

1. Main roll hoop (behind the driver) shall extend the full width of the driver/passenger compartment and shall be as near the roof as possible. It shall incorporate a diagonal lateral brace to prevent lateral distortion of the hoop (See figure 16). Any number of additional reinforcing bars are permitted within the structure of the cage. It is required that the horizontal brace behind the driver's seat (described in Section 9.4.2.J.) continue from the diagonal to the passenger side main hoop upright or that a second diagonal be installed in the main hoop.

E. Front Roll Hoops:

1. The front or side hoops shall follow the line of the front pillars to the top of the windshield (as close to the roof as possible) then horizontally to the rear attaching to the main hoop. These two side hoops are to be connected together by a tube over the top of the windshield, or
2. A front hoop following the line of the front pillars and connected by horizontal bars to the main hoop on each side at the top may be used, or
3. A top "halo" hoop following the roof line from the main hoop to the windshield with forward down tubes following the line of the front pillars to the floor.
4. The front or side hoops may extend through the dash pad. This includes the forward part of the door panel if it is an extension of the dash panel.
5. One (1) bar is recommended in a horizontal plane between forward cage braces in the dash area.

F. Bracing:

The main roll hoop shall have two braces extending to the rear attaching to the frame or chassis. Braces shall be attached as near as possible to the top of the main hoop not more than six (6) inches below the top and at an included angle of at least thirty (30) degrees. On cars where the rear window/bulkhead prohibits the installation of rear braces (e.g., Honda del Sol), the main hoop shall be attached to the body by plates welded to the cage and bolted to the stock shoulder harness mounting points. This installation design must also incorporate a diagonal bar connecting the top of the main hoop to the lower front passenger side mounting point ("Petty Bar").

1. Rear hoop braces may pass through the factory bulkhead or panel separating the driver/passenger compartment from the trunk/cargo area/, fuel tank/fuel cell area, provided the bulkhead is sealed around said cage braces. Metal tape may be used to seal the openings between the bulkhead and the tubes.

G. Side Protection:

Two (2) side tubes connecting the front and rear hoops across both door openings are mandatory. Door side tubes may extend into the door. NASCAR-style side protection, or one bar bisecting another to form an "X" is permitted. The door window glass, window operating mechanism, inner door trim panel, armrest, map pockets, and inside door latch/lock operating mechanism may be removed and the inner door structural panel may be modified, but not removed to facilitate this type of side protection. The stock side impact

beam and the outside door latch/lock operating mechanism shall not be removed or modified.

H. Mounting Plates:

1. Each mounting plate shall be at least .080 thick if welded and 3/16" thick (with appropriate backing plates) if bolted. There shall be a minimum of three (3) bolts per mounting plate if bolted.
2. Each mounting plate shall not be greater than 100 square inches and shall be no greater than twelve (12) inches or less than two (2) inches on a side.
3. Whenever possible, mounting plates shall extend onto a vertical section of the structure (such as a rocker box).
4. The mounting plate may be multi-angled but must not exceed these dimensions in a flat plane.
5. Any number of tubes may attach to the plate or each other.

I. Hardware: (Bolts)

All hardware shall be Grade 5/Metric 8.8 or better. 5/16" minimum diameter.

- J. In order to provide a secure seat back support a section of tubing equal to the roll bar shall be installed horizontally from the main hoop upright to the diagonal brace. This tube shall be no higher than shoulder height.

9.4.3. TOURING ROLL CAGE

- A. All cars registered after 1/1/03 shall conform to these roll cage rules. Effective 1/1/08 all Touring cars shall conform to these roll cage rules. Full width roll cages are required in all Touring automobiles. Roll cages installed in Touring automobiles are for driver safety and shall be contained entirely within the driver/passenger compartment without removing any panel or accessory not specifically authorized in these rules. The carpet/padding may be cut around the mounting base plates.

1. The cage shall be welded to the car, and all mandatory tubes shall use welded joint construction.
2. It shall attach to the car at no more than twelve (12) points for (T2); eight (8) points for (T3-T4); with the forward section of the cage attaching to the front bulkhead or front fender wells inside the cockpit (see figure 16).
3. The front down tubes of the cage shall be mounted to the floor of the vehicle.

- B. For tubing sizes for front hoop, main hoop, and all required bracing, see Section 9.4.1.E.3. It is recommended that gussets (flat steel, tubing, etc.) be utilized to strengthen the joints of all required cage elements.

C. Main Roll Hoop:

1. Main roll hoop (behind the driver) shall extend the full width of the driver/passenger compartment and shall be as near the roof as possible. It shall incorporate a diagonal lateral brace to prevent lateral distortion of the hoop (See figure 16). Any number of additional tubes/braces are permitted within the structure of the cage. It is required that the horizontal brace behind the driver's seat (described in Section 9.4.2.J.) continue from the diagonal to the passenger side main hoop upright or that a second diagonal be installed in the main hoop.

D. Front Roll Hoops:

1. The front or side hoops shall follow the line of the front pillars to the top of the windshield (as close to the roof as possible) then horizontally to the rear attaching to the main hoop. These two side hoops are to be connected together by a tube over the top of the windshield, or
2. A front hoop following the line of the front pillars and connected by horizontal bars to the main hoop on each side at the top may be used, or
3. A top "halo" hoop following the roofline from the main hoop to the windshield with forward down tubes following the line of the front pillars to the floor.
4. The front or side hoops may extend through the dash pad. This includes the forward part of the door panel if it is an extension of the dash panel.
5. One (1) bar is required in a horizontal plane between forward cage braces in the dash area.

E. Bracing:

The main roll hoop shall have two braces extending to the rear attaching to the frame or chassis. Braces shall be attached as near as possible to the top of the main hoop but, not more than six (6) inches below the top and at an included angle of at least thirty (30) degrees. On cars where the rear window/bulkhead prohibits the installation of rear braces (e.g., Honda del Sol), the main hoop shall be attached to the body by plates welded to the cage and bolted to the stock shoulder harness mounting points. This installation design must also incorporate a diagonal bar connecting the top of the main hoop to the lower front passenger side mounting point ("Petty Bar").

1. Rear hoop braces may pass through the factory bulkhead or panel separating the driver/passenger compartment from the trunk/cargo area/, fuel tank/fuel cell area, provided the bulkhead is sealed

around said cage braces. Metal tape may be used to seal the openings between the bulkhead and the tubes.

F. Side Protection:

Two side protection tubes (door bars) are mandatory on each side of the car. NASCAR-style side protection is required on the driver's side and is optional on the passenger side. The driver's window safety net may be mounted to this side protection and the top cage tube. NASCAR-style side protection tubes shall extend into the door. The door window glass, window operating mechanism, inner door trim panel, armrest, map pockets, and inside door latch/lock operating mechanism may be removed only if it interfered with the installation of NASCAR-style side protection tubes. The inner door structural panel may be modified, but not removed to facilitate this type of side protection. The stock side impact beam and the outside door latch/lock operating mechanism shall not be removed or modified.

G. Mounting Plates:

1. Each mounting plate shall be at least .080 thick.
2. Each mounting plate shall not be greater than 100 square inches and shall be no greater than twelve (12) inches or less than two (2) inches on a side.
3. Whenever possible, mounting plates shall extend onto a vertical section of the structure (such as a rocker box).
4. The mounting plate may be multi-angled but must not exceed these dimensions in a flat plane.
5. Any number of tubes may attach to the plate or each other.

9.4.4. GT ROLL CAGE

All GT automobiles shall have full width roll cages. Open automobiles without full windshields may have a low front hoop. All closed automobiles shall have full height (top of windshield) front hoops.

A. Main and Front Hoops

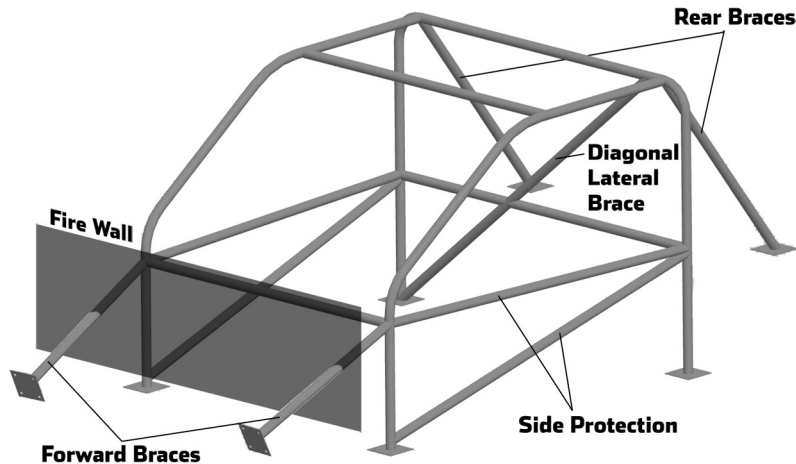
1. Main Hoop:

The main hoop (behind the driver) shall be full width of the cockpit. The main hoop shall be as near to the roof as possible on closed automobiles and not less than two (2) inches above the driver's helmet on open automobiles, with the driver seated normally and restrained by seat belt/shoulder harness. Low front hoops shall be cowl height, or at a minimum, a straight line drawn from the top of the main hoop to the top of the front hoop shall pass over the driver's helmet.

2. Front Hoop:

- a. The front hoop shall follow the line of the front pillars to the top of the windshield and be connected, by horizontal bars, to the top of the main hoop on each side (as close to the roof as possible).
- b. Two (2) side hoops following the line of the front pillars to the top of the main hoop may be used. These two (2) side hoops are to be connected by a horizontal bar over the top of the windshield. (See figure 17), or
- c. A top "halo" hoop following the roof line from the main hoop to the windshield with forward down tubes following the line of the front pillars to the floor.
- d. Double "ear-type" joints are allowed, provided that they are fully welded at all mating surfaces.

Figure 17



3. Fabrication:

The main hoop shall be one continuous length of tubing with smooth continuous bends with no evidence of crimping or wall failure. The minimum radius for all bends shall be three (3) times the tube diameter measured from the tube centerline. Whenever possible, the roll hoops should start from the floor of the automobile, and, in the case of tube frame construction, be attached to the tubes by means of gussets or metal webs in order to distribute the loads. On automobiles of frameless construction, consideration should be given to using a vertical roll hoop of 360 degrees completely around the inside of the automobile and attached with suitable mounting plates.

B. Bracing

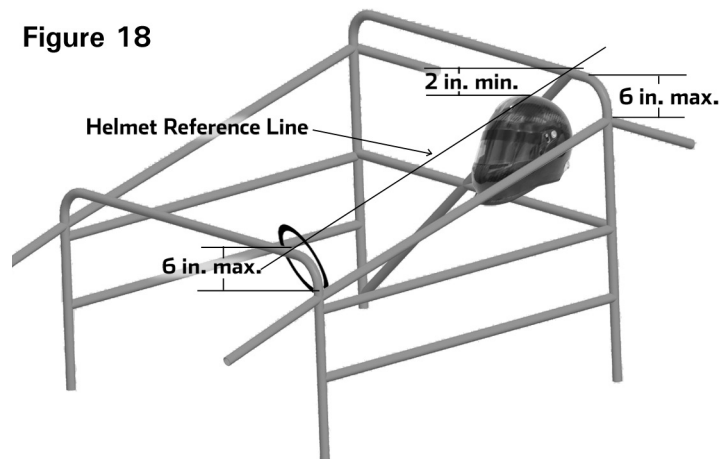
All required bracing shall be the same diameter and wall thickness as listed in 9.4.1.E, Material. (Main and Front Hoops)

All main hoops shall incorporate a diagonal brace (same diameter and wall thickness as main hoop) to prevent lateral distortion of the main hoop.

1. Main Hoop Bracing:

Main hoops shall have two (2) braces extending to the rear, attaching to the frame or chassis. Braces shall be attached as near as possible to the top of the main hoop (not more than six (6) inches below the top) and at an included angle of at least thirty (30) degrees. Open cars with a low front hoop shall have (Effective 1/1/99) two braces extending from the main hoop to the low front hoop. These braces shall be mounted no lower than six inches below the top of the main hoop as illustrated in figure 18.

Figure 18



2. Front Hoop Bracing:

There shall be two (2) braces extending forward from the front hoop to protect the driver's legs. It is recommended that this bracing extend to the bulkhead in front of the driver's feet; but, in any case, it

shall be integrated into the frame or chassis to provide substantial support for the front hoop.

C. Side Protection - Open and Closed Automobiles

1. The minimum side protection shall consist of a side tube connecting the front and rear hoops across both the door openings. Additionally, there shall also be either a diagonal tube from the front hoop to the rear hoop bisecting the door opening below the horizontal side tube, or not less than two (2) horizontal side tubes. Additional tubing may be added. NASCAR-style door bars are recommended.
2. In automobiles with full roll cage installations including side bars, interior door panels may be altered, replaced, or removed. When door panels are removed, all sharp edges or projections shall be protected.

D. Mounting Plates:

The thickness of mounting plates bolted to the structure of the car shall not be less than the thickness of the roll hoop or brace that they attach and shall be backed-up with a plate of equal dimensions on the opposite side of the panel, with the plates through-bolted together. A minimum of three (3) bolts per mounting plate is required for bolted mounting plates. All hardware (bolts) shall be Grade 5/Metric 8.8 or better with 5/16" diameter minimum. Mounting plates welded to the structure of the car shall not be less than .080" thick. Whenever possible the mounting plates should extend onto a vertical section of the structure (such as door pillar).

9.4.6. PRODUCTION ROLL CAGE

All automobiles shall have full width roll cages. Roll cages may be of two (2) designs, low front hoop or high front hoop. Specific installations are subject to approval by the Technical and Safety Inspectors at each event. The Technical Staff of Club Racing, with the concurrence of the Club Racing Board, shall have the responsibility to ensure specification compliance with SCCA safety standards. Alternate structures which do not meet the following criteria will not be considered unless they are eligible under Section 9.4.6.D.

A. Main Hoop

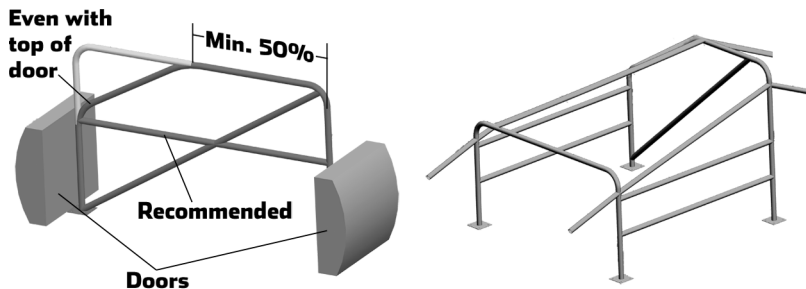
For all cars, the main hoop (behind the driver) shall be full width of the cockpit.

1. Closed Automobiles:

The main hoop shall be as near to the roof as possible on closed automobiles

2. Open top Automobiles:

- a. The main hoop shall be not less than two (2) inches above the driver's helmet on open automobiles, with the driver seated normally and restrained by seat belt/shoulder harness as illustrated in figure 18.
- b. Open top automobiles without a windshield may use an asymmetric main hoop provided:
 - i. The main hoop shall be full height (over the driver) for at least 50% of the width of the hoop as illustrated in figure 19.
 - ii. On the passenger side of the car, the hoop shall be at least as high as the top of the rear corner of the door as illustrated in figure 19.



Minimum main hoop - Open Production

B. Front Hoop

For all cars, the front hoop shall be full width of the cockpit.

1. Closed Automobiles and open top automobiles with a windshield:

- a. The front hoop shall follow the line of the front pillars to the top of the windshield and be connected, by horizontal bars, to the top of the main hoop.
- b. Instead of a single front hoop, two (2) side hoops following the line of the front pillars to the top of the main hoop may be used. These two (2) side hoops are to be connected by a horizontal bar over the top of the windshield. (See figure 17)
- c. Another option is a top "halo" hoop following the roof line from the main hoop to the windshield with forward down tubes following the line of the front pillars to the floor.

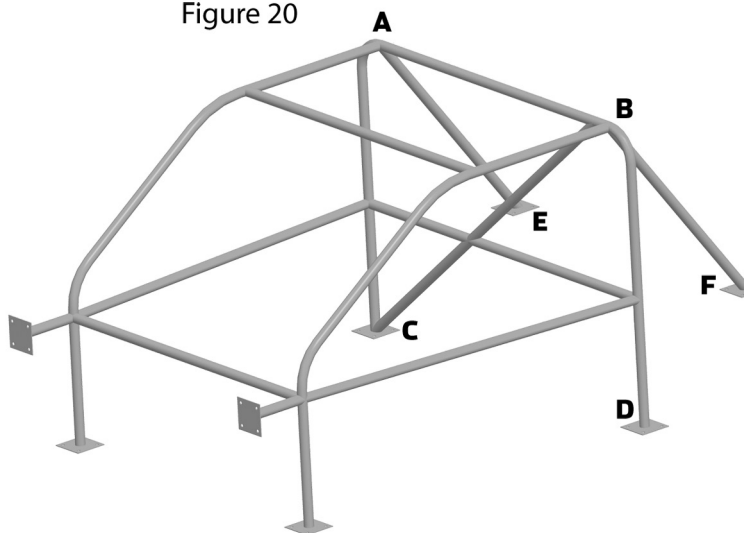
- d. Double "ear-type" joints are allowed, provided that they are fully welded at all mating surfaces.
 - e. It is recommended the hoop extend to the belly pan. If not, it shall be attached to the chassis with gussets and triangulation in order to spread the loads.
 - f. It is recommended that the vertical bars of the front hoop be connected by a horizontal bar at a point above the driver's legs
 - g. All front hoop options (a, b, c) shall be connected to the main hoop in the following manner.
 - i. On open top cars, attachments shall be no more than six inches below the top of the main hoop.
 - ii. On closed top cars, attachments shall be as close to the roof as possible.
2. Open top Automobiles without a windshield and with a high front hoop design. Front hoop requirements for open top automobiles with a windshield are to be followed with the following exceptions.
- a. Since the windshield frame is to be removed with the windshield, there is no requirement to follow the line of the A-pillar.
 - b. Since there is no windshield for the hoop to be above, the front hoop shall be above the driver's line of sight.
3. Open top Automobiles without a windshield and with a low front hoop design
- a. Low front hoops shall be cowl height, or at a minimum, a straight line drawn from the top of the main hoop to the top of the front hoop shall pass over the driver's helmet (See figure 18).
 - b. Open cars with a low front hoop shall have two braces extending from the main hoop to the low front hoop. These braces shall be mounted no lower than six inches below the top of the main and front hoops as illustrated in figure 18.
 - c. Fabrication - Open and Closed Automobiles
The main hoop shall be one continuous length of tubing with smooth continuous bends and no evidence of crimping or wall failure. The minimum radius for all bends shall be three (3) times the tube diameter measured from the tube centerline. Whenever possible, the roll hoops should start from the floor of the automobile, and, in the case of tube frame construction, be attached to the tubes by means of gussets or metal webs in order to distribute the loads. On automobiles of frameless or uni-body construction, consideration should be given to using a vertical roll hoop of 360 degrees completely around the inside of the automobile and attached with suitable mounting plates.

C. Bracing - Open and Closed Automobiles

All required bracing shall be the same diameter and wall thickness as listed in 9.4.1.E, Material. (Main and Front Hoop)

All main hoops shall incorporate a diagonal brace (same diameter and wall thickness as main hoop) to prevent lateral distortion of the main hoop. The brace shall either be in the plane of the main hoop or extend from the top of one rear brace (see figure 20) to the bottom of the opposite brace. In the case of braces in the plane of the main hoop, the brace must be attached at both ends to the main hoop, span at least 50% of the main hoop, and at least 75% of the height of the main hoop.

Figure 20



Diagonal brace may run B-C, A-D, A-F or B-E

1. Main Hoop Bracing

Main hoops shall have two (2) braces extending to the rear, attaching to the frame or chassis. Braces shall be attached as near as possible to the top of the main hoop (not more than six (6) inches below the top) and at an included angle of at least thirty (30) degrees. Rear braces may penetrate required bodywork provided the resulting hole serves no other function, and the holes are sealed around the braces.

2. Removable Bracing

Removable bracing shall incorporate connectors of the double lug, tapered, or muff-type as shown in figures 14 and 15. The double-lug type shall include a doubler, gusset, or capping arrangement so as to avoid distortion or excessive strain caused by welding.

3. Front Hoop Bracing

There shall be two (2) braces extending forward from the front hoop to brace the front hoop and protect the driver's legs. It is recommended that this bracing extend to the bulkhead in front of the driver's feet; but, in any case, it shall be integrated into the frame or chassis to provide substantial support for the front hoop. Front braces may penetrate required bodywork provided the resulting hole serves no other function, and the holes are sealed around the braces.

D. Exceptions

When it is manifestly impractical or unsafe to construct and install a roll structure meeting the minimum requirements as set forth above, an alternate design roll structure may be submitted to the SCCA Technical Staff who may, in a proper case, accept such alternate roll structure design on a specific case by case basis.

E. Side Protection - Open and Closed Automobiles

1. The minimum side protection shall consist of a horizontal side tube connecting the front and rear hoops across both the door openings. Additionally, there shall also be either a diagonal tube from the front hoop to the rear hoop bisecting the door opening below the horizontal side tube, or not less than two (2) horizontal side tubes. Additional tubing may be added. NASCAR-style door bars are recommended.

2. In automobiles with full roll cage installations including side bars, interior door panels may be altered, replaced, or removed. When door panels are removed, all sharp edges or projections shall be protected.

F. Mounting Plates:

1. Bolt In cages.

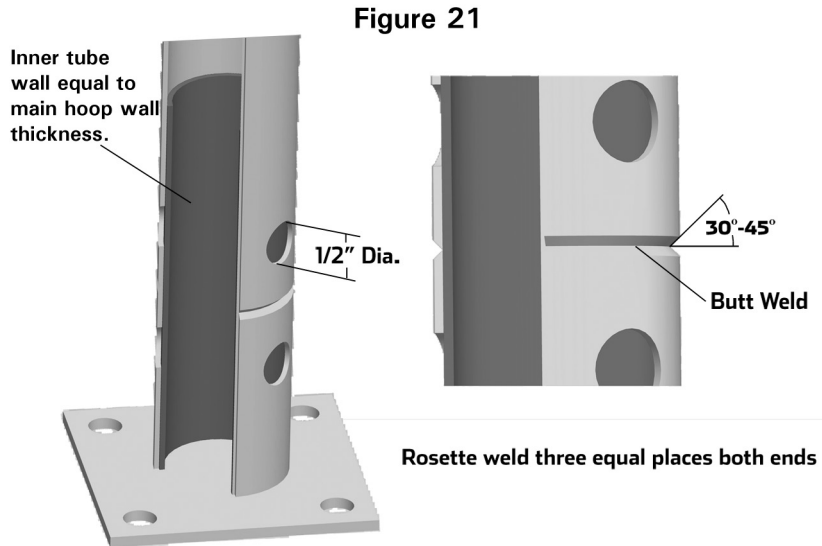
The thickness of mounting plates bolted to the structure of the car shall not be less than the thickness of the roll hoop or brace that they attach and shall be backed-up with a plate of equal dimensions on the opposite side of the panel, with the plates through-bolted together. A minimum of three (3) bolts per mounting plate is required for bolted mounting plates. All hardware (bolts) shall be Grade 5/Metric 8.8 or better with 5/16" diameter minimum.

2. Welded in cages.

Mounting plates welded to the structure of the car shall not be less than .080" thick. Whenever possible the mounting plates should extend onto a vertical section of the structure (such as door pillar).

9.4.7. APPENDAGES

The following procedures are approved for modification to roll bars/cages that do not meet the two (2) inch required minimum: The old main hoop may be cut off near the chassis mounting and a new main hoop of equal tube size or a section of equal tubing size may be added, and inner tube(s) must be used to mate all sections together. All braces must be minimum distance from top of hoop per Section 9.4. All welding for this modification must be arc welded (min.). The inner tube(s) must be rosette welded three (3) places near top and bottom, see figure 21.



APPENDIX J. 2004 PRODUCTION CATEGORY ROLL CAGE RULES

This appendix is present so that cages in Production cars with logbooks from 2004 and earlier can be verified for compliance with the construction rules required at the time the car was built.

18. PRODUCTION ROLL CAGES

All Production Category automobiles shall have full width roll cages. Open automobiles without full windshields may have a low front hoop. All closed automobiles shall have full height (top of windshield) front hoops.

Roll cages may be of two (2) designs, low front hoop (top of steering wheel) or high front hoop (top of windshield). Specific installations are subject to approval by the Technical and Safety Inspectors at each event.

The Technical Staff of Club Racing shall have the responsibility to ensure specification compliance with SCCA safety standards. To that end, the Technical Staff of Club Racing may or may not accept alternate construction standards from any source that significantly vary from SCCA standards of protection.

18.1. BASIC DESIGN CONSIDERATIONS

1. The basic purpose of the roll cage is to protect the driver if the car turns over, runs into an obstacle such as a guardrail or catch fence, or is struck by another car. It shall be designed to withstand compression forces from the weight of the car coming down on the rollover structure and to take fore/aft and lateral loads resulting from the car skidding along on its rollover structure.
2. Forward braces and portions of the main hoop subject to contact by the driver's helmet (as seated normally and restrained by seatbelt/shoulder harness) shall be padded with non-resilient material such as Ethafoam® or Ensolite®, or other similar material with a minimum thickness of one-half (1/2) inch. Padding meeting SFI spec 45.1 is recommended.
3. No portion of the safety roll cage shall have an aerodynamic effect by creating a vertical thrust.
4. Roll cage or chassis design shall prevent engine intrusion into the driver compartment.
5. Material:
 - A. Seamless, or DOM (Drawn Over Mandrel) mild steel tubing (SAE 1010, 1020, 1025) or equivalent, or alloy steel tubing (SAE, 4130) shall be used for all roll cage structures. Proof of use of alloy steel is the responsibility of the entrant.
 - B. Minimum tubing sizes for all required roll cage elements (All dimensions in inches):

Vehicle Weight Without Driver	Material	
	Mild Steel	Alloy Steel
Up to 1500 lbs.	1.375x.095	1.375x.080
1500-2500 lbs.	1.50x.095	1.375x.095
Over 2500 lbs.	1.50x.120	1.50x.095
	1.625x.120	
	1.75x.095	

- C. For purposes of determining tubing sizes, the vehicle weight is as raced without fuel and driver. The minus tolerance for wall thickness should not be less than .010" below the nominal thickness.
 - D. An inspection hole at least 3/16 inch diameter, but no greater than 1/4 inch diameter shall be drilled in a non-critical area of all tubes with a specified size to facilitate verification of wall thickness.
6. General Construction
 - A. One (1) continuous length of tubing shall be used for the main hoop member with smooth continuous bends and no evidence of crimping or wall failure. The radius of bends in the roll cage hoop (measured at centerline of tubing) shall not be less than three (3) times the diameter of the tubing. Whenever possible, the roll cage hoop should start from the floor of the car, and, in the case of tube frame construction, be attached to the chassis tubes by means of gussets or sheet metal webs with support tubes beneath the joints to distribute the loads. It is recommended that gussets be used.
 - B. Welding shall conform to American Welding Society D1.1:2002, Structural Welding Code, Steel Chapter 10, Tubular Structures. Whenever D1.1 refers to "the Engineer" this shall be interpreted to be the owner of the vehicle. Welds shall be continuous around the entire tubular structure. All welds shall be visually inspected and shall be acceptable if the following conditions are satisfied:
 1. The weld shall have no cracks.
 2. Thorough fusion shall exist between weld metal and base metal.
 3. All craters shall be filled to the cross section of the weld.
 4. Undercut shall be no more than 0.01 inch deep.
 - C. Aluminum bronze or silicon bronze welding technique is permitted, but extreme care shall be used in preparation of parts before bronze welding and in the design of the attaching joints.

18.4.1. Main and Front Hoops

- A. Main Hoop: The main hoop (behind the driver) shall be full width of the cockpit. The main hoop shall be as near to the roof as possible on closed automobiles and not less than two (2) inches above the driver's helmet on open automobiles, with the driver seated normally and restrained by seat belt/shoulder harness. Low front hoops shall be cowl height, or at a minimum, a straight line drawn from the top of the main hoop to the top of the front hoop shall pass over the driver's helmet.
- B. Front Hoop:
 - 1. The front hoop shall follow the line of the front pillars to the top of the windshield and be connected, by horizontal bars, to the top of the main hoop on each side (as close to the roof as possible).
 - 2. Two (2) side hoops following the line of the front pillars to the top of the main hoop may be used. These two (2) side hoops are to be connected by a horizontal bar over the top of the windshield. (See figure 17), or
 - 3. A top "halo" hoop following the roof line from the main hoop to the windshield with forward down tubes following the line of the front pillars to the floor.
 - 4. Double "ear-type" joints are allowed, provided that they are fully welded at all mating surfaces.
- C. Fabrication: The main hoop shall be one continuous length of tubing with smooth continuous bends with no evidence of crimping or wall failure. The minimum radius for all bends shall be three (3) times the tube diameter measured from the tube centerline. Whenever possible, the roll hoops should start from the floor of the automobile, and, in the case of tube frame construction, be attached to the tubes by means of gussets or metal webs in order to distribute the loads. On automobiles of frameless construction, consideration should be given to using a vertical roll hoop of 360 degrees completely around the inside of the automobile and attached with suitable mounting plates.

18.4.2. Bracing

All required bracing shall be the same diameter and wall thickness as listed in 18.1.5., Material. (Main and Front Hoops) All main hoops shall incorporate a diagonal brace (same diameter and wall thickness as main hoop) to prevent lateral distortion of the main hoop. A horizontal bar connecting the sides of the main hoop is highly recommended.

A. Main Hoop Bracing:

Main hoops shall have two (2) braces extending to the rear, attaching to the frame or chassis. Braces shall be attached as near as possible to the top of the main hoop (not more than six (6) inches below the top) and at an included angle of at least thirty (30) degrees. Open cars with a low front hoop shall have (Effective 1/1/99) two braces extending from the main hoop to the low front hoop. These braces shall be mounted no lower than six inches below the top of the main hoop as illustrated in figure 18.

B. Removable Bracing:

Removable bracing shall incorporate connectors of the double lug, tapered, or muff-type as shown in figures 14, and 15. The double-lug type shall include a doubler, gusset, or capping arrangement so as to avoid distortion or excessive strain caused by welding.

C. Front Hoop Bracing:

There shall be two (2) braces extending forward from the front hoop to protect the driver's legs. It is recommended that this bracing extend to the bulkhead in front of the driver's feet; but, in any case, it shall be integrated into the frame or chassis to provide substantial support for the front hoop. It is recommended that the vertical bars of the front hoop be connected by a horizontal bar at a point above the driver's legs.

18.4.3. Side Protection - Open and Closed Automobiles

- A. The minimum side protection shall consist of a side tube connecting the front and rear hoops across both the door openings. Additionally, there shall also be either a diagonal tube from the front hoop to the rear hoop bisecting the door opening below the horizontal side tube, or not less than two (2) horizontal side tubes. Additional tubing may be added. NASCAR-style door bars are recommended.
- B. In automobiles with full roll cage installations including side bars, interior door panels may be altered, replaced, or removed. When door panels are removed, all sharp edges or projections shall be protected.

18.4.4. Mounting Plates:

The thickness of mounting plates bolted to the structure of the car shall not be less than the thickness of the roll hoop or brace that they attach and shall be backed-up with a plate of equal dimensions on the opposite side of the panel, with the plates through-bolted together. A minimum of three (3) bolts per mounting plate is required for bolted mounting plates. All hardware (bolts) shall be Grade 5/Metric 8.8 or better with 5/16" diameter minimum. Mounting plates welded to the structure of the car shall not be less than .080" thick. Whenever possible the mounting plates should extend onto a vertical section of the structure (such as door pillar).

APPENDIX K. 2012 STO GENERAL TECHNICAL REGULATIONS

These specifications are a part of the SCCA GCR and all automobiles shall conform to GCR section 9.

A. Purpose and Philosophy

The intent of the Super Touring category is to allow competition of production-based vehicles, at a higher level of preparation, using DOT-approved tires. Vehicles used in this category must be identifiable with the vehicles offered for sale to the public and available through the manufacturer's distribution channels in the US. No chassis or engines older than 1985 will be eligible, except that model runs that began before 1985 are eligible (e.g., if a model was produced in 1983-1988, the 1983 and 1984 cars are eligible). The SCCA does not guarantee the competitiveness of any car.

Super Touring Under (STU) vehicles are mid-level multi-purpose performance cars of 3.2 liters and under. Case-by-case approval of engines over 3.2 liters from "Pony Cars" or "American Iron" with stock camshaft lift at a heavier weight will be considered. No engines over 4 liters shall be allowed under any circumstances. Spec lines are not required for STU eligibility; unless otherwise specified, any vehicle meeting the model year and engine displacement limits is eligible for this class.

World Challenge vehicles compliant to a SCCA Pro VTS may be approved on a case-by-case basis for STU. See the STU "Approved World Challenge Cars" table.

Super Touring Lite (STL) is a small-bore "tuner" class for reciprocating piston engines of displacements of 2.0 liters and under. STL encompasses a lower level of allowed modifications compared to STU. As with STU, spec lines are not required for STL eligibility; unless otherwise specified, any vehicle meeting the model year and engine displacement limits is eligible for this class.

Alternate allowances may be approved on a case-by-case basis for individual vehicles that do not meet these parameters; see "Alternate Vehicle Allowances" tables. Engines components from these approved vehicle allowances may not be installed in other chassis without specific line-item approval (e.g., the STU 3.8L Mustang engine may not be installed into a Ford Focus).

Vehicle modifications are limited to those listed herein. Unless a particular modification or part is approved in these rules, the vehicle and all of its relevant parts and assemblies shall be stock for the correct make and model of car. Some amount of latitude will be considered to facilitate engine installations, however if extensive modifications are required it is recommended to seek clarification from the Club Racing Board.

Replacement parts may be obtained from sources other than the manufacturer provided they are the exact equivalent of the original parts. The intent of this rule is to allow the competitor to obtain replacement parts from standard industry outlets, e.g., auto-parts distributors, rather than from the manufacturer. It is not intended to allow parts that do not meet all dimensional and material specifications of new parts from the manufacturer, unless otherwise allowed in the Super Touring category or class rules.

Each class will have a baseline target power-to-weight ratio. Weights may be adjusted or cars may be subject to changes in intake restrictors to meet these targets. Cars may be required to carry data acquisition equipment for review of performance.

B. Eligibility

Vehicles meeting one of the following criteria may compete in the Super Touring category:

- 1985 and newer cars built specifically under these ST rules
- World Challenge Touring cars, with a VTS sheet dated 2009 or earlier, are eligible for classification in STU under the following criteria:
 - Cars will be approved on a case-by-case basis with supporting World Challenge VTS documentation
 - Competitors must have the VTS sheet, as approved, available for scrutineers when requested.
 - Weight will be set at the greater of the World Challenge weight plus 5% or the STU rules weight plus 5%.
 - Cars approved to run in accordance with their World Challenge VTS must adhere to those specifications and are not permitted to adopt general STU specifications.
 - See 9.1.4.2.I, table of Approved World Challenge Cars.
 - Cars must meet tire rule 9.1.4.P.1

Note: World Challenge VTS cars are subject to adjustments (i.e., weight, restrictor) as necessary.

- Any GCR listed IT cars, 1985 and newer, under their current IT specifications may compete in STU. GCR listed ITS, ITA, ITB, and ITC cars with reciprocating piston engines of 2 liters and less engine displacement, 1985 and newer, may compete in STL under their current IT specifications.

Note: While IT cars may not be competitive in the ST category, their inclusion in the category will allow regional competitors to participate in national events.

- Spec Miata cars completely conforming to Spec Miata class specifications are eligible for STL. Spec Tire not required in STL.
- SM5 and MX-5 Cup cars completely conforming to SM5 or MX-5 Cup class specifications are eligible

for STL. Spec Tire not required in STL.

- Rocky Mountain Division SpecM3 cars completely conforming to the 2011 rules may compete in STU. Competitors must have a copy of the 2011 rules in their possession.
- Cars modified beyond SS, SM or IT rules in any fashion must meet full ST safety requirements.

C. Bodywork

1. Standard body appearance must be strictly maintained. Standard body appearance includes the OEM grille and badge. A photographic replica is not sufficient.
2. Body and frame seams and joints may be welded. The OEM radiator supports may be replaced or reinforced to make repairs easier. The radiator supports shall not reinforce the rest of the chassis or diminish the OEM crush zones.
3. Bumper brackets may be modified, but bumpers must remain in OEM locations.
4. Non-essential body items and trim may be removed including attaching brackets and supporting structure. Any holes in bodywork exposed by the removal of these items shall be covered or filled.
5. All of the vehicle's doors must be able to be opened from both inside and outside the vehicle. Latches and hinges for the doors may be modified, but must remain in working order. Aftermarket latches and hinges may be used but shall not protrude beyond outer surface of bodywork. The stock side impact beams may be removed when NASCAR style door bars are installed.
6. Hood and trunk pins, clips, or positive action external latches are permitted. Stock hood and trunk latches and hinges may be disabled or removed; if so, a positive action external fastening method shall be used. Engine compartment insulation may be removed.
7. Openings in the bodywork may be temporarily covered, wholly or partially, with tape for the purpose of regulating airflow. Bodywork openings may be closed off using close-out panels mounted behind body openings. Bodywork seams may not be taped except to temporarily secure it after contact.
8. All bodywork and windows shall be sufficiently rigid, adequately supported and properly secured such that it does not noticeably flutter, move, or deform while vehicle is in motion.
9. Aftermarket OEM style hardtops are allowed. Aftermarket carbon fiber hardtops are not allowed.
10. Fenders and wheel openings shall remain unmodified. OEM base model fenders may be flared to allow for tire clearance up to 2". They must maintain the OEM profile and appearance, seamlessly around the wheel arch. It is permitted to roll under or flatten any interior lip on the wheel opening for tire clearance. Cars with plastic/composite fenders may remove any interior wheel opening lip, but the resulting material edge shall be no thinner than the basic fender material thickness. Non-metallic inner fender liners may be removed.

D. Aerodynamic Devices

1. Front Air Dam
 - a. A front spoiler/air dam may be added. It shall not protrude beyond the overall outline of the body when viewed from above perpendicular to the ground, or aft of the forward most part of the front fender opening.
 - b. The spoiler/air dam shall be mounted to the body, and may extend no higher than four (4) inches above the horizontal centerline of the front wheel hubs. The air dam shall have no support or reinforcement extending aft of the forward most part of the front fender wheel opening.
 - c. The minimum ride height of the air dam is 3.0 inches.
 - d. Openings are permitted for the purposes of ducting air to the brakes, cooler(s), and radiator(s).
2. Undertray
 - a. An undertray may be added. The undertray may close out the underbody from the leading edge of the approved bodywork (including air dam) back to the centerline of the front axle.
 - b. The minimum ride height of the undertray is 3.0 inches.
3. Splitter
 - a. Definition: A horizontal, single-plane aerodynamic device attached to the lower front of the vehicle, protruding forward. It is intended to divert air and produce downforce through vertical pressure differential. A splitter shall have no vertical deviations.
 - b. A front splitter may be added. A maximum of 4 rods or cables may be used to support the front and/or sides of the splitter. No other material(s) may be used external to the body to support the splitter.
 - c. The front splitter must not extend more than 2.0 inches past the original or approved bodywork as viewed from above for the entire profile of the splitter.

- d. No part of the splitter shall extend laterally any further than the widest point of the outside sidewall of the front tires with the wheels pointed straight ahead.
 - e. The splitter may have vertical deviations, fences, etc., only if they are part of the production bodywork for street use.
 - f. The minimum ride height of the front splitter is 3.0 inches.
4. Rear Wing
- a. The wing shall be mounted to the trunk/deck lid with 2 mounting brackets. Each mounting bracket shall attach to the wing at a point that is at least 2.0 inches inboard of endplates. The wing, and the portion of the mounting brackets located externally to the trunk/deck lid, may only be reinforced by a diagonal strut having no aerodynamic effect, and/or by affixing the external parts of the brackets to internal parts of the brackets within the trunk/cargo area. The internal parts of the brackets may protrude through the trunk/deck lid to allow the two parts of each bracket to be fastened together.
 - b. Factory wings, and spoilers, and roof vortex generators are permitted, but must be removed if an approved aftermarket wing is installed.
 - c. See individual class regulations for further restrictions.
5. A close-out panel may be mounted behind the grille.
6. OEM side skirts may be used if they were available on the car from the dealer provided they meet the minimum ride height rule.
7. Aftermarket side skirts may be used provided they meet the minimum ride height rule, have no openings/ducts in them other than for jacking insert(s), are no wider than the approved fascias, do not extend any higher than the bottom of the door and do not reinforce the chassis.
8. Canards or dive planes are not permitted unless part of the OEM bodywork.

E. Interior

1. The following items must be removed : tool kit, spare tire, supplemental restraint systems (SRS) and passive restraint systems.
2. The following items may also be removed:
Headliner, sun visor, carpeting, carpet pad and/or insulation, soundproofing, OEM seats, all trim except the dashboard, heating and air conditioning systems, window winding mechanisms, central locking systems, audio system, and any other systems fitted to the original car solely for the comfort of the driver and/or passengers.
3. The following items may be installed:
Safety equipment/structures, seat, controls necessary for driving, instrumentation, electronic equipment, radio, camera, battery, driver cooling system, driver ventilation system, replacement door panels/interior trim, anti-sway bar controls (not within reach of driver). None of the above items may hinder driver exit from the car.
4. The above components shall be attached to/contained in the chassis in such a way as to be able to withstand 25g deceleration. Any sharp edges shall be covered, padded, protected, etc. to prevent injury to driver, crew, course workers, and officials.
5. The driver's seat shall be located in the same lateral location as the OEM seat, unless otherwise allowed on a car's spec line. The transmission tunnel may be modified for the purpose of installing a competition driver seat. The floor pan must remain in its original position. The floor pan must remain in its original position. The driver's seat shall be located longitudinally.
6. Original instruments/gauges may be replaced, or supplemented, with additional engine monitoring gauges. Accessories, lights and switches may be added or removed. Box-type extensions from the dash pad may be used to mount switches and controls, in the areas where the OEM insert panels were mounted, so that they more easily accessible to the driver. Audio and video systems may be removed.
7. Vertical bulkheads, and enclosures, within the cockpit shall not be any higher than the bottom of the side windows, and shall not extend more than 18.0 inches above the floor pan. No bulkheads shall cover the rear foot wells.
 - a. Sedan Body (4-door) and Hatchback Body (3-door) - Any bulkheads positioned in front of the plane determined by the OEM rear seat back shall not extend laterally from one side of the chassis to the other, but rather shall only be large enough to cover the individual components necessary.
 - b. Coupe Body (2-door) - Any bulkheads positioned in front of the plane determined by the OEM rear seat back, if applicable, may extend laterally from one side of the chassis to the other.
8. Dash pad modification – It is permitted to modify the dash pad in order to run the roll cage tubes

through the dash area as long as the dash pad is modified only enough for roll cage fitment. If necessary, the dash pad may be parted to ease installation around roll cage. Any such parting shall be done in such a way as to minimize the appearance that they have been separated once pieces of dash pad are installed.

F. Chassis

1. All cars shall have the OEM rear package shelf and/or rear seat back support structure installed if applicable. As an alternative, a metallic close out panel may be installed that simulates the rear package shelf and/or the rear seat back support structure if applicable. If a close out panel is used to clean up the appearance of the rear package shelf and/or rear seat bulkhead in conjunction with the OEM structure, the close out panel material is free.
2. Cables, wiring and fluid lines in the engine compartment and cabin interior may be replaced, rerouted, and/or protected.
3. Cars that have drive shafts shall have 2 steel, 360-degree loops of sufficient strength located as close as possible to the front and rear universal joints to prevent the driveshaft from dropping in case of failure of either universal joint. Floor materials, torque tubes and cross members may also be utilized to provide this protection.
4. It is permitted to attach one or more plates, or pads, under the car to provide for jacking of the car, provided they serve no other purpose. It is prohibited to install any kind of device, which protrudes from the rocker panel or side of the car. However, tubes may be attached to the roll cage or chassis and extend to the inner surface of the rocker panel or bodywork to act as a receptacle for a jacking fixture. Air jacks are permitted, but no air source may be carried on board.
5. Ride height will be measured without driver at the lowest point of the rocker panel, not including the pinch weld.
6. The OEM firewall between the cockpit and engine compartment shall be intact to prevent the passage of flames from the engine compartment to the cockpit. Any holes in the firewall must be of the minimum size for the passage of controls and wires, and must be completely sealed.
7. Both front windows, driver and passenger, shall be down (preferably removed) whenever the vehicle is on track. The OEM window opening on the front doors shall not be filled in with any material, other than the material required to mount a NACA-duct for driver cooling. If used, the NACA-duct shall be mounted in the front, lower, corner of the window opening. The area closed off to mount the NACA-duct shall not exceed 50 square-inches. In rain conditions, a quarter window larger than 50 square-inches may be used in the area normally used to mount the permitted NACA-duct, in an attempt to minimize the amount of water entering the cockpit. Enough open area for the driver to exit in an emergency shall remain open at all times.
8. All vehicles must use a stock, OEM equivalent, safety glass windshield, or 0.25 inch minimum thickness Lexan replacement, mounted in the stock location, at the stock angle and maintaining the stock profile.
9. Windshield clips, per GCR section 9.3 Windshield Clips/Rear Window Straps, are permitted and recommended.
10. Side windows, not including the front door windows, and rear windows may be replaced by clear Lexan-type plastic material having a minimum thickness of 0.125 inch, but must retain the same shape, size, and location as the original glass. NACA-ducts may be mounted in the side windows. The rear window must be secured by 2 additional straps 1.0 inch wide by 0.0625 inch thick minimum, bolted or riveted to the body at both the top and bottom of the rear window. If a Lexan rear window is mounted with multiple, evenly spaced screws around each side of its perimeter, safety straps are not required. If a DOT spec glass rear window is used in conjunction with the OEM method of mounting, safety straps are recommended, but not required.
11. Windows may be mounted and sealed with silicone. Any silicone used to bridge the gap between the perimeter of the window and the chassis shall be neat in appearance and uniform in thickness. Tape may only be used to seal the windows during wet track sessions for the purpose of reducing the amount of water entering the cockpit.
12. OEM side window framework shall be intact.
13. Acrylic or glass removable/moveable roof panels may be replaced with the same material as the surrounding roof. All brackets, mounts, and moldings must be removed. Fabric tops are not permitted and shall be removed along with all associated hardware. It may be replaced with an OEM hardtop if one is available.
14. Unused mounting tabs and brackets that are non-structural, excluding the rear seat back support and package tray, may be removed.
15. The OEM "rain gutter/tray" at the base of the windshield shall be intact and in the OEM location.
16. The floor pan may be modified to provide clearance for the exhaust system and allowed alternate trans-

mission/transaxle.

17. Inner fender panels may be modified or replaced.
18. Convertible model cars may compete with a hardtop or as an open car.

G. Engine

1. Alternate engines may be used, if the manufacturer of the vehicle and engine are the same (e.g., an Acura engine installed into a Honda car) and was available in a car delivered in the United States. Vehicles delivered with engines from other manufacturers (e.g. Morgan, Panoz, etc) may only use the originally installed engine, or another engine manufactured by the chassis manufacturer (e.g. Lotus Elise may use the Toyota ZZ engine, or any other Lotus manufactured engine that complies with the class rules, however a Lotus Esprit may not install a Toyota ZZ engine).

The chosen engine must retain its original cylinder head and intake manifold. Competitors must have in their possession a copy of the factory shop manual for both the drivetrain and chassis for use by scrutineers. If an engine from a front wheel drive vehicle is installed in a rear wheel drive vehicle, alternate OEM intake manifolds may be considered. The long block assembly of the alternate engine must remain within the engine compartment with no modifications, however the firewall may be modified to provide clearance for intake manifolds and/or engine accessories. It is permitted to use the OEM intake and throttle body for either the chassis or the installed engine. If needed to allow the intake manifold fit on the engine, an adapter plate between the engine and manifold is permitted. This adapter plate must be no more than 1.0 inch thick and must be made of the same material as either the head or intake manifold.

Engines from vehicles not available in a car delivered in the United States will be considered and approved on a case-by-case basis for use in ST. For an engine to be considered, a member must submit to the CRB a Vehicle Technical Specifications (VTS) sheet with all engine parameters filled out. Copies of the appropriate factory shop manual are also useful for this consideration. Any deviations from the STCS that will be required for installation (e.g., trans adapter plate, alternate intake manifold, etc) must be noted in the "Requested Non-Stock Allowances" section, otherwise they will not be allowed. Once this information is received and considered, any approved engines will be noted in a separate table within the STCS.

2. The crankshaft shall be a stock OEM part or an aftermarket part as long as it is of identical dimensions and material as the OEM part for the specific engine. The crankshaft may be balanced. The maximum weight reduction allowance for balancing of the crankshaft is 0.5 lbs. The maximum weight reduction allowance for the balancing of the reciprocating assembly is 15 grams. Alternate connecting rods are permitted, but must be ferrous unless OEM supplied.
3. Blocks may be sleeved to repair cylinder walls. Engines may be bored to a maximum of .040 inch over standard bore size.
4. Rocker arm, lifter, follower, pushrod, valve spring, keeper, retainer, guide, seat, and valve materials are free; Titanium is not permitted, except for retainers or OEM parts. The head may be machined to fit valve train components.
5. Alternate camshafts are allowed. Camshaft timing is free.
6. Cars produced with an electronic throttle body may use the OEM electronic throttle body. The OEM electronic throttle body may be converted to manual actuation and the actuation cam on a manual throttle body may be changed to alter the opening/closing rate of the butterfly. Alternately actuated throttle bodies may be considered on a case by case basis.
7. The ignition system is unrestricted.
8. A programmable ECU is permitted. Engine calibration (spark and fuel) is free.
9. Fuel injectors and fuel rails must maintain the original number and mounting locations, but are otherwise free. Fuel pumps and fuel filters are free in type, size and number.
10. The location and type of the fuel pressure regulators are free provided they are mounted within the engine compartment or the OEM location.
11. The oil pan and oil pickup may be baffled, modified, or replaced. The OEM oil pump may be modified, or replaced with an OEM-style oil pump. Cars using a wet-sump oil system shall safety wire or in some other way secure the oil drain plug.
12. Vents, breathers, and oil filters may be added, or substituted. All emission control devices may be removed and the resulting holes plugged. It is recommended that cars using a wet-sump oil system safety wire or in some other way secure the oil drain plug.
13. Replacement gaskets and seals are free, including head gaskets. Replacement gaskets and seals must be made out of material(s) designed to seal the parts of an engine. Replacement gaskets and seals may not perform any other functions. Head gaskets may be used to adjust compression ratio.

14. The intake manifold on piston engines may be port matched to the head(s), provided no material is removed further than one inch in from the manifold to head mounting surface(s).
15. Variable cam timing (VTEC, VANOS, etc.) and variable length intake manifolds may be partially, or wholly, disabled. Variable cam timing systems that use multiple cam lobes for each valve(s) may remove lobes from the camshaft(s) that are not being used. For 13B Rotary Engines the 5th and 6th intake port actuators and valves may be removed or disabled.
16. To increase the compression ratio, the bottom of the head may be machined. Alternate pistons are permitted and/or the pistons may be machined.
17. Cars utilizing forced induction may not have a boost controller within reach of the driver. A car must enter pit lane to have the boost level changed by the crew if necessary. Competitors must be prepared to demonstrate the boost adjustment process to officials.
18. Engine parts, including, but not limited to, heads, intake manifolds and carburetors, may be cleaned using usual methods (e.g., bead blasting, soda blasting, Scotch Brite pads) as long as part dimensions are not altered.
19. All cars shall use the installed engine's stock air throttling devices (e.g., throttle body, carburetor) and intake manifold, unless noted otherwise. Components upstream of the throttling devices are free.
20. Unless otherwise noted, the follow restrictions apply to turbochargers. The inlet restrictor (if required) shall be positioned in the compressor inlet housing. Turbochargers may be added to engines that did not originally come equipped with one on a case by case basis. Swapping of turbochargers between engine makes and models is prohibited. Supercharged cars may be approved on a case-by-case basis. Contact the Road Racing Technical Office for details (contact info at the front of this book).
21. Alternate water pump, alternator, crankshaft dampers, and/or power steering pulleys are unrestricted. Crankshaft pulley is unrestricted for all non-supercharged engines; supercharged engines must use OEM crankshaft and supercharger pulleys.

H. Cooling Systems

1. Water Cooling

Provided that the stock method of cooling is retained, the cooling system is free, including cooling fans, but the water radiator must remain in the approximate OEM location. The mounting angle may be changed.

2. Engine Oil Cooling- Coolers for the engine oil are free in number, type and location.
3. Intake Air Cooling- Cars utilizing forced induction may install intercoolers. The number, type, and location of intercoolers are free.
4. Water Spray Systems- Water may not be sprayed on any intercoolers, radiators, etc. Water spray systems may only be used to inject water into the brake ducts.

I. Fluid Piping & Fuel Tank

1. Fuel Cells/Tanks- The use of a fuel cell is required unless the stock fuel tank is located between the axle centerlines and within the main chassis structure (i.e., frame rails, etc.). All fuel cells must comply with GCR 9.3. Proper bracing to protect the fuel cell in the event of a rear-end crash is required. If a fuel cell is installed in the rear hatch/rear trunk area, the OEM floor pan in that area may be replaced with metal in order to make it easier to mount the fuel cell and close out the area around the fuel cell.
2. There must be a metal bulkhead completely separating the cockpit from the compartment containing the fuel cell. This does not negate the requirement that the fuel cell bladder be contained in a metal container.
3. No line containing engine coolant may pass through the cockpit. No hydraulic fluid lines may have removable connectors inside the cockpit.
4. All fluid hoses, lines, reservoirs, and tanks that are in the cockpit, or cargo area that is open to the driver, shall be separated from the driver by rigid metallic and/or non-metallic enclosures and/or deflection shields to prevent fluid from spraying on the driver in case of a leak. Magnesium is prohibited. Waterproof flexible wraps may also be used to prevent fluid from spraying on the driver. The floor of these enclosures, or the area under the deflection shields, shall be designed to prevent the accumulation of fluids.
5. No fuel cooling devices are permitted in the car.

J. Oil System

1. If oil storage tanks are not located in the original position they must be surrounded by a 10 mm thick crushable structure. Provided that the oil tank is not located in close proximity to the outer surface of the bodywork, and there is some of the structure of the vehicle between the oil tank and the bodywork, the car's structure will meet the 10mm crushable structure rule.

2. If the oil tank is located in the cockpit area, or a trunk area that is open to the driver, it must be separated from the driver by a metal enclosure made up of .036 inch steel, or .059 inch aluminum. This is in addition to the 10mm thick crushable structure that is required in section 9.1.4.1.2. The floor of the enclosure must be designed to prevent accumulation of fluids.
3. Accusump-type systems may be used.

K. Exhaust System

1. The exhaust system may be modified, or replaced.
2. Outlets must be located rearward of the midpoint of the wheelbase.
3. The exhaust pipe may not protrude more than 3.0 inches at the point where it exits the bodywork. If the exhaust pipe(s) exit the bodywork at the widest part of the body such that any extension of the exhaust pipe(s) beyond the body would make pipe(s) the widest point, the exhaust pipe(s) must be trimmed flush (+/- 0.5 inch) with the bodywork at the point that they exit the body. Minor body modifications are permitted to accommodate exhaust systems. Modifications shall serve no other purpose. The underbody rocker panels may be modified for the installation of the exhaust system, but these modifications may only serve to provide clearance for the exhaust system. The exhaust system must be adequately isolated from the driver's compartment.
4. If the exhaust system is routed in such a way that damage to it could cause hot exhaust to contact any part of the fuel system, there shall be a metallic heat shield protecting the fuel system components. This heat shield shall be located at least 3.0 inches away from the exhaust system, and there shall be at least 3.0 inches between the heat shield and the fuel system components.

L. Electrical System

The electrical system is free provided that:

1. Batteries are free, subject to GCR 9.3. Batteries.
2. Standard headlights, headlight operating ancillaries, and parking light assemblies may be removed and replaced with a plate of identical shape and size of the lens. Standard headlight assemblies may be replaced with aftermarket units of equal dimension. Vehicles with pop-up and/or hidden headlights may modify and/or remove the headlight assemblies as long as the headlight cover and any other external hardware are properly secured in the stock closed location.
3. Fog/driving lights, parking lights and associated attaching hardware may be removed. The resulting openings may be used to duct air, or may be filled/covered. No ducting may extend beyond the outer surface of the bodywork.
5. Each car must be fitted with at least one effective windshield wiper assembly, which must be in working order throughout the event. Wiper blades, arms and associated hardware may be substituted freely. Other windshield wiper assemblies may be removed.
6. Each car must have an effective defogging/demisting system that is capable of keeping the windshield clear during wet sessions. Anti-fog films meet this requirement.

M. Drivetrain

1. Alternate differential housings are permitted from the same model of vehicle. Differential may be open, locked, or of a limited-slip type. The internals of limited-slip type differentials may be modified to change the amount of slip limiting. Differentials with external, or electric, adjustability are prohibited. Driveshaft and half-shafts may be aftermarket, but shall be the OEM-type and use the same types of materials as stock. Drive shafts may be replaced by one piece drive shafts, and conversely.
2. Vent and/or breather lines may be added to the transmission and/or differential. 1 transmission cooler and 1 differential cooler are permitted.

N. Suspension and Steering

1. All suspension members must be made from ferrous and/or aluminum materials. Chromium plating of suspension members is prohibited.
2. Suspension springs are free. Coil-over units may be added to supplement or replace OEM springs. Attaching points may be reinforced. It is permitted to use threaded spring seats for adjustability.
3. Shock absorbers and struts are free. Driver adjustable systems and electronically controlled shocks are not permitted. If a reservoir/adjustment canister is used, only one may be used per shock. The shocks at each individual wheel may not be connected in any way.
4. Stabilizer bars are free, and may be added, removed, or substituted. Driver adjustable stabilizer bars are not permitted. Adjustment controls for stabilizer bars may be located within the cockpit, but must be out of the reach from the driver's seat. Adjustments to stabilizer bars during practice, qualifying and race must be done in pit lane.
5. Suspension components shall be the stock OEM parts, but they may be reinforced. Spherical bearings

are permitted on suspension components. Standard suspension bushings may be replaced with solid or spherical bushings. Drop spindles are allowed.

6. Any anti-roll bar(s) and rear axle traction bar(s), rear axle panhard rod and watts linkage can be added or substituted, provided their installation serves no other purpose. The mounts for these devices can be welded or bolted to the car. These devices and their mounts cannot be located in the trunk or driver/passenger compartment unless fitted as stock. Rear axle traction bar(s) used to control axle housing rotation must be solid bar or tube.
7. When a car's anti-roll bar also acts as a suspension locating device, the bar's attachment points and pivot points on the chassis and suspension control arms must remain in their stock locations.
8. Slotted plates may be added over original shock mounts on front and rear shock towers for camber/caster adjustment. One bolt-in brace may connect the front strut towers, and one bolt-in brace may connect the rear strut towers.
9. All steering components, with the exception of the steering wheel, column and tie-rods/toe-links, must be original equipment supplied by the manufacturer. These parts may be strengthened provided the original part can still be identified.
10. The steering wheel may be replaced with an aftermarket, or racing steering wheel. Wood-rimmed steering wheels are not permitted. An all-metal quick release coupling on the steering wheel may be added.
11. A collapsible steering column shall be used. Most recent OEM steering columns have at least 2 universal joints in them that allow the steering column to collapse on impact. This type of design (with at least 1 universal joint) must also be used in any steering column extension(s) that may be used to reach the driver's competition seating position.
12. Power steering may be modified in any of the following ways:
 - a. disconnected
 - b. an OEM manual steering rack for that model may be fitted
 - c. an electric power steering pump may be fitted
 - d. An OEM electric-assisted steering system may be used.

O. Brakes

1. Brake lines may be relocated, and rubber lines may be replaced with stainless steel braided brake lines. Hand brake assemblies may be removed. Brake proportioning valves may be used provided that they are of the in line, pressure limiting type. Non-pressurized brake fluid lines and master cylinders need not be metal, metal shielded, or bulkheaded. Pressurized brake fluid lines must be metal, metal shielded, or bulkheaded.
2. Brake proportioning valves may be used provided that they are of the in line, pressure limiting type. Brake pad friction material is free.
3. Hand brake assemblies may be removed. Backing plates and dust shields may be modified, ventilated, or removed.
4. Brake duct inlets incorporated in the front spoiler as standard, or in light openings, other than headlights, may be used to duct air to the front brakes. Additionally, brake ducts may be fitted into the intermediate mounting surface of a permitted splitter.
5. Water spray cooling systems are permitted. The amount of water carried for injection into the brake duct is free. Water-cooled calipers are forbidden.
6. Wheel fans are not permitted.
7. When any allowed alternate calipers are used, calipers must be mounted in the same location and orientation as the OEM calipers. OE caliper mounting tabs may be modified or removed to facilitate installation.
8. Titanium piston inserts are permitted.
9. May run OEM ABS or convert to an aftermarket ABS controller with 100 lb. weight penalty.
10. See individual class regulations for further restrictions/allowances.

P. Tires & Wheels

1. Tires must conform to 9.3. Tires. GT1/ST tire make/size is free, DOT tires are not required. DOT tires per 9.3. Tires are required for GT2/ST cars. Slicks allowed on all GT2/ST cars with a 100-pound weight penalty.
2. Wheels / Hubs- The standard wheels may be replaced with direct, bolt-on racing/aftermarket wheels under the following provisions:

- a. Loose wheel spacers of any type are not recommended.
 - b. All cars must run the same size wheel on the same axle.
 - c. As viewed from above at the centerline of the wheel; the fender shall completely cover the "tread" portion of the tire. Only the tire sidewalls may be visible.
 - d. The wheel material is free, but they must be constructed of metallic material(s). No modifications (including grinding) are permitted on a vendor-supplied wheel.
 - e. Valve stems and caps are free.
3. Wheel Attachment
- a. Center-locking type hubs and wheels may be used if vehicle is supplied with them from the manufacturer. If vehicle is not supplied with center-locking type wheels they may be used in conjunction with an adapter that bolts onto the OEM, or approved, hub.
 - b. If a single wheel nut is used, a safety spring must be in place on the nut whenever the car is running and must be replaced after each wheel change. These springs must be painted Day-Glo red or orange. Alternatively, another method of retaining the wheels may be used provided it has been approved by FIA.

K.1 2012 STO SPECIFIC TECHNICAL REGULATIONS

A. Bodywork

1. OEM non-metallic composite body panels (i.e., plastic fascias, fiberglass hoods, etc.) may be replaced with panels of any type composite, provided that the panel maintains the OEM profiles. All cars may replace the hood, hatch, and/or trunk/deck lid with nonmetallic composite parts. The hood may have heat exhaust vents installed in it. Hood inlets (scoops) are not allowed. The vents shall not expose the mechanical components of the car when looking down from above. The permitted transmission and differential coolers may vent through rear license plate frame. There shall be a screen, painted the same color as the surrounding bodywork, covering the vent opening. Any OEM non-functional, decorative vents/ducts may be made to be functional provided the exterior body appearance is not modified.

B. Aerodynamic Devices

1. Front Splitter
 - a. The front splitter must not extend more than 2.0 inches past the original or approved bodywork as viewed from above for the entire profile of the splitter.
 - b. The splitter shall not extend laterally any further than the widest point of the outside sidewall of the front tires with the wheels pointed straight ahead. The splitter may not extend more than 2.0 inches beyond the bodywork, regardless of where the outside edges of the front tires are.
 - c. The splitter may have vertical deviations, fences, etc., only if they are part of the production bodywork for street use.
2. Rear Wing
 - a. Wings shall be a single element with a maximum chord length of 12.00 inches, including any Gurney flap.
 - b. The entire wing assembly may be no wider than the widest part of the car, not including fender flares/lips and mirrors, or a maximum width of 72.0 inches, whichever is the lesser.
 - c. The entire rear wing assembly, including the end plates and any Gurney flap, shall be mounted level with, or below, the peak of the roof.
 - d. The trailing edge of the rear wing may be mounted no further rearward than the center of the rear-most part of the approved bodywork.
 - e. Wing end plates must not exceed 144.0 square inches each.
 - f. APR performance wing GTC-500 part #AS-1070xx, variable cord length 12.75" Inner/9" Outer), is permitted.

C. Interior

1. The required dash pad may be made of any material. The dash pad shall maintain the stock profile.

D. Chassis

1. Fasteners are free. Fasteners may be replaced with adhesives.
2. Rounded coverings may be used at the rear of the front window openings to bridge gap between the leading edge of b-pillar and inner edge of main roll hoop. The material and design of these coverings is free, but shall be neat in appearance and securely fastened.
3. A third (3rd) tube on each side may extend through the firewall to the chassis in the engine compartment. These tubes shall not extend forward of the shock towers.
4. An underbody close-out panel(s) may be used in the area behind the rear axle. These panels shall not alter the external appearance of the car when looking from the rear and sides of the car (i.e. we want to have to lay on the ground to see them). If the production car uses underbody trim pieces, the OEM trim pieces may be removed or replaced, but any close-out panel(s) used may not visually hide any more of the mechanical components, when looking from the rear and sides of the car, than the OEM trim pieces do. The close-out panels shall not completely bridge the gap between the rear floor pan area and the rear axle centerline. On rear engine cars, any close-out panels shall not extend any further forward than the rear axle centerline. Cars with a fuel cell, engine, etc. that extend down into external visual range shall fit the close-out panel(s) around the component in such a way that it does not alter the external appearance of the car.
5. Minimum ride height is 3.0 inches.

E. Engine

1. Intake Requirements: All cars shall use the stock or approved air throttling device (e.g., carburetor, throttle body) and intake manifold for the installed engine, unless noted otherwise.
2. All cars may fit the approved carburetor and manifold. The approved manifold may be ported and polished, but its design and configuration shall not be altered in any other way. The lowering of or boring of holes in the center divider is prohibited. Removal or obliteration of the manifold part number is prohibited.

- a. The approved carburetor shall be a maximum of 650 cfm and 4 barrels. The approved optional insulator (Holley #108- 12), and manifold (Edlebrock Performer RPM #7101-General Motors / #7121-Ford/Mercury) shall be fitted to cars.
 - b. Except as permitted in these rules, the carburetor shall not be modified in any way. Any carburetor jets, accelerator pump, pump cam, and accelerator pump nozzles may be used. Power valves, metering blocks, and floats may be altered or replaced. No venturi (including secondary or auxiliary) shall be modified in any way, but they may be aligned. Idle holes may be drilled in the throttle plates (butterflies). Carburetors may be modified to allow "four corner" idle adjustment.
 - c. The external throttle linkage to the carburetor may be modified or changed. Choke mechanisms, plates, rods, and actuating cables, wires, or hoses may be removed. No removal or alteration of the carburetor air horn is permitted.
 - d. All air entering the intake tract shall pass through the carburetor air inlet.
3. Cars may modify, or replace, motor and gearbox mounts provided that the engine is located in the specified location. This includes the use of "torque plates". All engines will be mounted in the stock position unless otherwise specified. Where an engine setback is allowed, the OEM firewall may be modified only enough to accommodate the engine set back.
- a. The following cars may set the engine rearward a maximum of 4.0 inches and may lower the engine a maximum of 1.5 inches:
 1. Cadillac CTS-V (04-07)
 2. Pontiac GTO (04-08)
 3. Ford Mustang (85-06)
 4. GM F-Body (93-02)
4. The intake and exhaust ports on piston engines may be ported at a 1% weight penalty. The valve guide may be machined as part of this porting.
5. Compression ratio is limited to 12.0:1.
6. Valve lift is limited to .600 inches.
7. Dry sump systems are allowed. The dry-sump system is limited to 5 stages. It shall consist of 1 pressure stage and a maximum of 4 scavenge stages. If the OEM style pressure pump is used it shall count as the one permitted pressure stage. There may be a maximum of 2 two-port scavenge stages, or a maximum of 4 single-port scavenge stages, or any combination such that oil is not being scavenged from more than a maximum of 4 locations.

F. Drivetrain

1. Alternate flywheels and clutches are permitted. Flywheel material shall be ferrous or aluminum and the ring gear diameter must be the same as the OEM flywheel. Clutch and pressure plate design is free. Carbon clutches are permitted.
2. Transmissions and ratios are free. Forward gears are limited to six speeds. Cars with aftermarket sequential shift transmissions shall increase the required minimum weight by 100 lbs.
3. Traction Control/Launch Control is permitted, but must operate solely through the engine management system (i.e., spark and fuel control) and may not interface with, or affect, the braking system or throttle control.

G. Suspension and Steering

1. Cars that come with a solid rear axle or trailing arm suspension are permitted an aftermarket or fabricated rear suspension. Cars with an altered rear suspension must add 50 lbs. Cars with live axle rear wheel drive may reduce the minimum weight by 50 lbs
2. Original suspension pick-up points below the upper line of the wheel rim must be used within a tolerance of 1.0 inch; however, if the lower suspension pickup point is changed from the OEM location, 50 lbs. must be added to the car. The body/frame around the pick-up points may be reinforced; this reinforcement shall be limited to a radius of 6.0 inches. The 1.0 inch tolerance applies to pick-up points on the chassis only.
3. Suspension mounting points above the upper line of the wheel rim must be retained within a tolerance of 3.0 inches, however, the body/frame around the pick-up points may be reinforced; this reinforcement shall be limited to a radius of 6.0 inches. The 3.0 inch tolerance applies to pick-up points on chassis only.
4. The spindle and/or outer joint on the a-arm and/or strut may be moved to correct bump steer caused by changing the vehicle ride height. These components are not limited to the 1.0 inch of movement that applies to the suspension pick-up points located on the chassis.

5. Alternate control arms permitted.

H. Brakes

1. Rotors- 1 or 2 piece ferrous rotors that do not exceed 355mm in diameter or 33mm in thickness are permitted. Maximum brake rotor diameter of 380mm is permitted at a 100 pound penalty.
2. Calipers- The standard production calipers or any caliper with 6 or less pistons may be used. 4-piston calipers may use a maximum of 4 pads per caliper. 6-piston calipers are limited to 2 pads per caliper.
3. Original equipment master cylinders and pedals may be replaced.
4. Power assisted braking systems are permitted.
5. The balance of braking forces between the two wheels on an axle shall be equal and non-adjustable.
6. The balance of braking forces between the front and rear axles may only be adjusted by the driver through:
 - a. Direct intervention on the position of the center of the joint, on the linkage lever of the hydraulic pumps of the front and rear circuits.
 - b. Direct intervention on a proportioning valve in which the intake pressure is adjusted through a pre-loaded spring.

I. Wheels

1. Rear wheels may not exceed 18.0 inches in diameter and 13.0 inches in width. Front wheels may not exceed 18.0 inches in diameter and 11.0 inches in width.

J. Approved Cars and Engines

1. The following car and engine combinations are approved in STO. Send a request to the Club Racing Board <http://www.clubracingboard.com/> to add additional cars.

APPENDIX L. 2013 TA2 TECHNICAL REGULATIONS

Cars must comply with Appendix L. (prior generation TA2 rules) or current Trans Am rules at 2930 lbs. Tire make/size are free.

ARTICLE 4.8: PREVIOUS GENERATIONS OF TRANSAM TA2 CARS

4.8.1: PURPOSE

4.8.1.1: These rules are intended to summarize all previous generations of the TransAm TA2 rules for inclusion in the Road Racing GT2 class.

4.8.2: COST CONTROL

4.8.2.1: Teams must (a) have a "COST CONTROL INSPECTION" form from the Trans Am Technical Manager or (b) provide the Make; Model; Part #; Supplier contact information; and the commercially available cost for the following items:

Shock Absorbers	\$850 each
Brake Calipers	\$550 each
Brake Pads	\$250/axle
Wheels	\$175 each

4.8.2.2: Data systems are limited to basic GPS based systems. Steering and throttle position sensors may be used, and RPM may be monitored. Shock/suspension position, brake pressure, wheel speed, and other advanced data devices may not be used.

4.8.2.3: All metal components shall be steel or aluminum.

4.8.2.4: Only the driver seat and rear wing may be constructed of carbon fiber.

4.8.3: WEIGHT

4.8.3.1: The minimum weight for all TA2 cars is 2930 pounds.

4.8.3.2: The maximum rear weight bias is 52%. If the percentage exceeds 52%, some or all of the fuel may be pumped out, but the car must still meet the minimum weight requirement with the fuel removed.

4.8.3.3: Ballast must solidly mounted and attached in such a way that tools are required for its removal. The location/configuration of any ballast shall not perform a function that is not otherwise approved in the PRR.

4.8.3.4: All weight and percentage measurements will be made, with the driver in place, as the car exits the track at the end of a practice, qualification, or race session.

4.8.4: BODY

The body rules are divided into two sections. The 2010+ Camaro-Mustang-Challenger body rules are found in Article 4.8.4.1. The "Stock Car" body rules are found in 4.8.4.2. Either body type may be used, but no "mixing and matching" between the two sets of rules is allowed.

4.8.4.1: 2010+ Camaro-Mustang-Challenger Bodies

4.8.4.1.1: The following 2010+ make/model bodies are allowed.

1. Chevrolet Camaro (Howe, and ARBodies, FiveStar are approved manufacturers)
2. Ford Mustang (Howe, ARBodies, FiveStar are approved manufacturers)
3. Dodge Challenger (Howe is the approved manufacturer)

The body manufacturer approval process consists of a Trans Am application from the manufacturer, a complete measurement session conducted by the Trans Am Technical Manager, and a set of body templates provided to Trans Am by the manufacturer. For information contact the Trans Am Technical Manager.

4.8.4.1.1.1: The maximum overall width of the body (except mirrors) is 80.0 inches.

4.8.4.1.1.2: The minimum height of the body (measured 10.0 inches behind the top of the windshield) is 47.0 inches.

4.8.4.1.2: All body components must be utilized in an as-produced, unmodified form and must retain all manufacturer identifying markings.

4.8.4.1.3: Absolutely no additional holes, vents, modifications, etc., will be permitted on the body panels except as provided herein.

4.8.4.1.4: The bottom of the car must not be "belly-panned" or flush paneled. No fixed or moveable air-directing devices are permitted underneath or inside the car, other than ductwork that serves no other purpose than to direct cooling air to the brakes, fuel/air metering device (carburetor or throttle body), and/or driver.

4.8.4.1.5: Full-width bottom shrouding of the front spoiler/nosebox area (front undertray) is permitted, but must be flat, and can extend no farther rearward than the center of the trailing edge of the radiator. Undertray may not be stepped or

curved. Undertray may be angled in side view to produce a maximum height at the trailing edge of 3.50 inches above the ground.

4.8.4.1.6: Installation of air ducts to direct air to cool the driver is permitted. Air ducts to direct air to cool the driver can be installed behind the a-pillar. Duct and mount cannot exceed 8 inches in height by 12 inches in length. A maximum of three vents may be added to each rear side window to exhaust hot air from the driver's compartment.

4.8.4.1.7: The hood must have a minimum of four (4) positive locating pins on the leading edge of the hood and must be securely fastened by either pins or hinges at the rear

4.8.4.1.8: If used, a cowl opening shall be located at the rear edge of the hood at the base of the windshield and have a maximum opening of 2.5" deep by 20.0 inches wide. Fresh air boxes to the fuel/air metering device (carburetor or throttle body) are allowed as long as that ductwork serves no other purpose.

4.8.4.1.9: A front splitter must be used.

4.8.4.1.9.1: A front splitter must follow the contour of the front bumper and may extend a maximum of 6.75 inches beyond the forward-most vertical portion of the center of the bumper. The splitter must follow the contour of the front body work.

4.8.4.1.9.2: The minimum ground clearance for the splitter is 2.5 inches.

4.8.4.1.10: Cars must use either a Derhaag rear wing, or Howe rear wing.

4.8.4.1.10.1: The Derhaag single plane wing (# T-A W2), if used, must include the end plates mounted in the original location. The wing profile (Liebeck Airfoil #1LD104E) may not be altered.

4.8.4.1.10.1.1: The maximum height of the wing, including end plates and Gurney flap, can be no greater than the highest point on the roof. The roof may not be altered or pushed up to increase its height.

4.8.4.1.10.1.2: The wing may not extend behind the rear bumper or bodywork measured at the centerline of the body.

4.8.4.1.10.1.3: The maximum wing width, including end plates, is 65 5/16 inches.

4.8.4.1.10.1.4: The cord length is a maximum of 10.75 inches.

4.8.4.1.10.1.5: The wing end plates must fit within a rectangle measuring 11.00 inches long by 4.00 inches tall. All wing elements, including the Gurney flap, must be kept within the profile of the end plates. The endplates must be mounted parallel to the vehicle centerline, and must be perpendicular to the ground. Endplates must be flat, with no curvature or Gurney flap.

4.8.4.1.10.1.6: A Gurney flap may be added to the wing element. It must be a uniform shape across the complete width of the wing. No air may pass between the Gurney flap and the wing. It must form a 90 degree angle with the wing surface. The size of the Gurney flap cannot exceed 0.50 inch high as measured from the wing surface. The thickness of the Gurney flap material must be 0.625 inch.

4.8.4.1.10.1.7: Maximum angle of the rear wing element, from horizontal, is 30 degrees.

4.8.4.1.10.2: The Howe dual element wing (# AS105552), if used, must have the lower wing element mounted to the endplates in the original location as supplied by Howe. The upper element mounting location can be altered by slotting the existing holes, or adding holes in the end plates. The wing profiles must remain unmodified.

4.8.4.1.10.2.1: The maximum height of the wing can be no greater than the highest point on the roof of the car.

4.8.4.1.10.2.2: The wing may not extend behind the rear bumper or bodywork measured at the centerline of the body.

4.8.4.1.10.2.3: The maximum wing width, including end plates, is 65 5/16 inches.

4.8.4.1.10.2.4: The dog leg style Howe endplates must be used without modification. All wing elements, including the Gurney flap, must be kept within the profile of the end plates. The endplates must be mounted parallel to the vehicle centerline, and must be perpendicular to the ground. Endplates must be flat, with no curvature or Gurney flap.

4.8.4.1.10.2.5: A Gurney flap may be added to the upper wing element. It must be a uniform shape across the complete width of the wing. No air may pass between the Gurney flap and the wing. It must form a 90 degree angle with the wing surface. The size of the Gurney flap cannot exceed 0.375 inch. The thickness of the Gurney flap must be 0.0625 inches

4.8.4.1.10.2.6: The maximum angle of the rear wing lower element, from horizontal, is 30 degrees.

4.8.4.1.11: A full, stock-dimension molded front windshield is mandatory and must be constructed from 3/16" (minimum) Lexan. Three (3) 1-inch by 1/8" thickness internal windshield support braces must be spaced at least on six-inch centers and roughly centered on the windshield. The windshield must be secured to the body by fasteners to prevent the windshield from popping out under internal pressure.

4.8.4.1.12: A full, stock dimension molded rear "glass" constructed of minimum .093' thickness Lexan is required. It

must be held securely in place by a minimum of two (2) 1.0" wide external straps as well as fasteners mounting the "glass" to the rear bodywork around the perimeter of the opening. Back "glass" must also be securely braced internally to prevent significant bowing or distortion under racing conditions.

4.8.4.1.13: Side windows openings (driver and passenger side) must remain as produced in dimensions. Models with rear quarter or opera windows must have the stock opening covered with clear, securely mounted 0.093" thick Lexan.

4.8.4.1.14: Cockpit floors must be complete with no tunnels and/or air ducts allowed.

4.8.4.1.15: No body streamlining is allowed (windshields, radiator grills, headlights, etc.).

4.8.4.1.16: Body seams may not be taped for practice, qualifying, or race sessions. Exception may be granted by the Technical Manager for the temporary repair of damaged parts. If permission is granted the tape must match the color of the portion of the car being taped, or be clear.

4.8.4.1.17: Headlight decals and taillight decals or the model's original taillights are required at all times. Two functioning brake lights in the approximate location of the stock taillights are required. Two functioning taillights are also required.

4.8.4.1.18: Vent windows, with or without air ducts, may be used at the A-pillar. The maximum dimension, measured along the bottom of the window opening in the door is eleven (11) inches. The trailing edge must be ninety (90) degrees from the top of the door to bottom of the window opening.

4.8.4.1.19: Mirrors of sufficient size/area must be mounted on both sides of the race car and allow the driver to clearly see cars to their left and right.

4.8.4.1.20: The upper half of the grill area on the 2010+ Camaro may be taped closed to help control the engine temperature. The tape must be trimmed to allow the complete manufacturer's emblem in the center of the grill to be visible.

4.8.4.1.21: For 2010+ Camaro and Mustang bodied cars, two hood louver panels (Howe part #B940) may be installed. The panels are .083" aluminum x 15 1/2" long x 4" wide. They must be mounted on the top of the hood with the rear of the panel 8" forward of the rear edge of the hood, and spaced as shown in the diagram.

Other body styles may also use the louvers. Teams must contact the Technical Director prior to installation to determine the location dimensions

4.8.4.2: Stock Car Bodies

4.8.4.2.1: Cars in the class must use 1997, through current year, commercially available stock car bodywork. The following make/model bodies are allowed:

1. Cadillac CTS
2. Chevrolet Impala
3. Chevrolet Malibu
4. Chevrolet Monte Carlo
5. Chevrolet SS
6. Dodge Intrepid
7. Ford Fusion
8. Ford Taurus
9. Lincoln MKS
10. Pontiac G8
11. Pontiac GTO
12. Pontiac Grand Prix
13. Toyota Camry

4.8.4.2.1.1: The maximum overall width of the body (except mirrors) is 80.0 inches.

4.8.4.2.1.2: The minimum height of the body (measured 10.0 inches behind the top of the windshield) is 47.0 inches.

4.8.4.2.2: All body components must be utilized in an as-produced, unmodified form and must retain all manufacturer identifying markings. No "one-off" or "high downforce" body packages are allowed.

4.8.4.2.3: Absolutely no additional holes, vents, modifications, etc., will be permitted on the body panels except as provided herein.

4.8.4.2.4: The bottom of the car must not be "belly-panned" or flush paneled. No fixed or moveable air-directing devices are permitted underneath or inside the car, other than ductwork that serves no other purpose than to direct cooling air to the brakes, fuel/air metering device (carburetor or throttle body), and/or driver.

4.8.4.2.5: Full-width bottom shrouding of the front spoiler/nosebox area (front undertray) is permitted, but must be flat, and can extend no farther rearward than the center of the trailing edge of the radiator. Undertray may not be stepped or curved. Undertray may be angled in side view to produce a maximum height at the trailing edge of 3.50 inches above

the ground.

4.8.4.2.6: Installation of air ducts to direct air to cool the driver is permitted. Air ducts to direct air to cool the driver can be installed behind the a-pillar. Duct and mount cannot exceed 8 inches in height by 12 inches in length. A maximum of three vents may be added to each rear side window to exhaust hot air from the driver's compartment.

4.8.4.2.7: The hood must have a minimum of four (4) positive locating pins on the leading edge of the hood and must be securely fastened by either pins or hinges at the rear

4.8.4.2.8: If used, a cowl opening shall be located at the rear edge of the hood at the base of the windshield and have a maximum opening of 2.5" deep by 20.0 inches wide. Fresh air boxes to the fuel/air metering device (carburetor or throttle body) are allowed as long as that ductwork serves no other purpose.

4.8.4.2.9: A front air dam or splitter must be used.

4.8.4.2.9.1: A front air dam, if used, shall not protrude beyond the overall outline of the car as viewed from above. The air dam shall not extend aft of the forward most part of the front fender opening (cutout). The minimum ground clearance for the air dam is 2.5 inches.

4.8.4.2.9.2: A front splitter, if used, must follow the contour of the front bumper and may extending a maximum of 3 inches beyond the bumper. The minimum ground clearance for the splitter is 2.5 inches.

4.8.4.2.10: Cars must use either a rear spoiler, a Derhaag rear wing, or Howe rear wing.

4.8.4.2.10.1: The single-plane rear blade spoiler, if used, must be mounted at an angle from 50 to 75 degrees (perpendicular to the ground being 90 degrees) and may not extend beyond the rear bumper when from directly above the rear bumper. Spoilers must be a minimum of .063 aluminum or Lexan and may vary in overall height to match the contours of the bodywork. The rear spoiler dimensions shall not exceed 59.0 inches wide by 5.0 inches in height, (measured on the material surface) or 295.0 square inches total surface area. Braces to prevent spoiler deflection are allowed, but may not serve any other purpose.

4.8.4.2.10.2: The wing, Derhaag single plane wing (# T-A W2), if used, must include the end plates mounted in the original location as supplied by Derhaag. The wing profile must remain an unmodified single element Liebeck Airfoil #1LD104E scaled to a cord length of 10.75 inches.

4.8.4.2.10.2.1: The maximum height of the wing can be no greater than the highest point on the roof of the car.

4.8.4.2.10.2.2: The wing may not extend behind the rear bumper or bodywork measured at the centerline of the body. Wing mounting brackets may be fabricated to achieve the proper wing location.

4.8.4.2.10.2.3: The maximum wing width, including end plates, is 65 -5/16 inches.

4.8.4.2.10.2.4: The wing end plates must fit within a rectangle measuring 11.00 inches long by 4.00 inches tall. All wing elements, including the Gurney flap, must be kept within the profile of the end plates. The endplates must be mounted parallel to the vehicle centerline, and must be perpendicular to the ground. Endplates must be flat, with no curvature or Gurney tabs.

4.8.4.2.10.2.5: A Gurney flap may be added to the upper wing element. It must be a uniform shape across the complete width of the wing, and must be kept within the profile of the end plates. No air may pass between the tab and the wing. It must form a 90 degree angle with the wing surface. The size of the Gurney flap cannot exceed 1/2 inch high as measured from the wing surface. The thickness of the Gurney flap material must be 1/16 inch.

4.8.4.2.10.2.6: Maximum angle of the rear wing element, from horizontal, is 30 degrees.

4.8.4.2.10.3: The Howe dual element wing (# AS105552), if used, must have the lower wing element mounted to the endplates in the original location as supplied by Howe. The upper element mounting location can be altered by slotting the existing holes, or adding holes in the end plates. The wing profile must remain unmodified.

4.8.4.2.10.3.1: The maximum height of the wing can be no greater than the highest point on the roof of the car.

4.8.4.2.10.3.2: The wing may not extend behind the rear bumper or bodywork measured at the centerline of the body. Howe wing mounting brackets may be modified or replaced to achieve the proper wing location.

4.8.4.2.10.3.3: The maximum wing width, including end plates, is 55 3/4 inches.

4.8.4.2.10.3.4: The dog leg style Howe endplates must be used without modification. All wing elements, including the Gurney flap, must be kept within the profile of the end plates. The endplates must be mounted parallel to the vehicle centerline, and must be perpendicular to the ground. Endplates must be flat, with no curvature or Gurney flap.

4.8.4.2.10.3.5: A Gurney flap may be added to the upper wing element. It must be a uniform shape across the complete width of the wing, and must be kept within the profile of the end plates. It must form a 90 degree angle with the wing surface. The size of the Gurney flap cannot exceed 0.375 inch high as measured from the wing surface. The thickness of the Gurney flap material must be 0.0625 inch.

4.8.4.2.10.3.6: Maximum angle of the rear wing lower element, from horizontal, is 30 degrees.

4.8.4.2.11: A full, stock-dimension molded front windshield is mandatory and must be constructed from 3/16" (minimum) Lexan. Three (3) 1-inch by 1/8" thickness internal windshield support braces should be spaced at least on six-inch centers and roughly centered on the windshield. The windshield must be secured to the body by fasteners to prevent the windshield from popping out under internal pressure.

4.8.4.2.12: A full, stock dimension molded rear "glass" constructed of minimum .093' thickness Lexan is required. It must be held securely in place by a minimum of two (2) 1.0" wide external straps as well as fasteners mounting the "glass" to the rear bodywork around the perimeter of the opening. Back "glass" must also be securely braced internally

to prevent significant bowing or distortion under racing conditions.

4.8.4.2.13: Side windows openings (driver and passenger side) must remain as produced in dimensions. Models with rear quarter or opera windows must have the stock opening covered with clear, securely mounted .093" thick Lexan.

4.8.4.2.14: Cockpit floors must be complete with no tunnels and/or air ducts allowed.

4.8.4.2.15: No body streamlining is allowed (windshields, radiator grills, headlights, etc.).

4.8.4.2.16: Body seams may not be taped for practice, qualifying, or race sessions. Exception may be granted by the Technical Manager for the temporary repair of damaged parts. If permission is granted the tape must match the color of the portion of the car being taped, or be clear.

4.8.4.2.17: Headlight decals and taillight decals or the model's original taillights are required at all times. Two functioning brake lights in the approximate location of the stock taillights are required. Two functioning taillights are also required.

4.8.4.2.18: Vent windows, with or without air ducts, may be used at the A-pillar. The maximum dimension, measured along the bottom of the window opening in the door is eleven (11) inches. The trailing edge must be ninety (90) degrees from the top of the door to bottom of the window opening.

4.8.4.2.19: Mirrors of sufficient size/area must be mounted on both sides of the race car and allow the driver to clearly see cars to their left and right.

4.8.5: CHASSIS/SUSPENSION:

The chassis shall be designed to provide maximum protection to the driver. The intent of the following rules is to maintain the recognizable external features of the manufacturer's make and model while providing for necessary safety and performance modifications. Chassis must be produced by a "Trans Am Approved Manufacturer" and must be commercially available. For information on the approval process, contact the Trans Am Technical Manager. (Howe is an approved chassis manufacturer, others are pending for 2013). For older chassis rule see 4.8.5.9.

4.8.5.1: Frame

4.8.5.1.1: Configuration must be full-frame, front engine, front steering, rear drive, and shall provide all suspension mounting points. The frame must be constructed of mild steel tubing (SAE 1010, 1020, or 1025 recommended). All construction and materials must conform to all SCCA Pro Racing Rules (2013 PRR).

4.8.5.1.2: Each frame must have a permanent tag attached to identify the original manufacturer and serial number.

4.8.5.1.3: All cars must have mainframe rails of rectangular steel tubing with minimum dimensions of 2.0" x 3.0" x 0.083" wall thickness. Mainframe rails are defined as the lower outboard frame rails between the front firewall bulkhead and the rear main hoop bulkhead.

4.8.5.1.4: The roll cage and side door bars must be constructed of mild steel tubing and according to the specifications found in Appendix J.

4.8.5.1.5: The minimum ground clearance for any part of the chassis, rearward of the centerline of the front tires is 3.50 inches

4.8.5.2: Front Suspension

4.8.5.2.1: Only basic-type coil-over, upper A-arm, with lower A-arm, or lower control arm/strut type front suspension is allowed.

4.8.5.2.2: The upper A-arm must be made of steel and be 7.0"-11.0" long when measured from the center of the ball joint to the center of the cross shaft, or a line connecting the two spherical rod ends. Cross shafts, if used can be made of steel or aluminum.

4.8.5.2.3: Lower arms must be made of steel and be 13.0"-19.0" long when measured from the center of the ball joint to the center of the cross shaft, or a line connecting the two spherical rod ends (A-arm style); or from the center of the ball joint to the center of the spherical rod end (control arm style). Struts used in conjunction with control arm style arms may be made of steel or aluminum. Cross shafts, if used can be made of steel or aluminum.

4.8.5.2.4: Front spindles/uprights must be steel, designed for racing applications, and be commercially available to all competitors.

4.8.5.3: Rear Suspension

4.8.5.3.1: Only basic-type live solid axle, 3 link, coil-over suspension is allowed. This shall consist of two (2) fore/aft control arms, and a single third link arm. Independent rear suspensions are not allowed.

4.8.5.3.2: Axle housings may not rotate inside the axle mounting brackets (no birdcage designs).

4.8.5.3.3: A 3-link design shall consist of three (3) attaching points on the rear axle housing and three (3) attaching points on the chassis.

4.8.5.3.4: The two fore/aft control arms must be directed forward from the rear axle, be 23"-29" long, and run parallel to the car's centerline (+/- 10 degrees) in the plan view. Fore/aft control arms must be one piece (no springs/shocks/rockers). The control arm ends may be spherical rod ends or rubber/plastic bushings.

4.8.5.3.5: The single third link arm must be directed forward from the rear axle, be 15"-21" in length, and run parallel to the car's centerline (+/- 10 degrees) in the plan view. The third link arm ends may be spherical rod ends or rubber/plastic bushings. Spring-loaded and/or cushioned (torque absorbing) third link arms are allowed.

4.8.5.3.6: A Panhard bar or Watts linkage may be used to control rear suspension centering and lateral motion.

4.8.5.3.7: Driver-controlled adjustment of the suspension while the car is in motion is not allowed.

4.8.5.4: Track Width

4.8.5.4.1: The front and rear track width must be 63"- 65".

4.8.5.5: Wheel Base

4.8.5.5.1: The wheel base must be 102"-105", and be the same on both sides of the car (+/- .75").

4.8.5.6: Shocks/Springs

4.8.5.6.1: Only one coil-over shock/spring assembly may be used at each corner of the suspension.

4.8.5.6.2: Driver adjustable or electronically controlled shocks are not allowed.

4.8.5.7: Anti-Roll Bars

4.8.5.7.1: One (1) front and one (1) rear anti-roll bar are permitted.

4.8.5.7.2: Anti-roll bars must be made of steel. The arms may be made of steel or aluminum.

4.8.5.7.3: Driver adjustable anti-roll bars are not permitted.

4.8.5.8: Steering

4.8.5.8.1: The steering wheel must be mechanically coupled to the front wheels only (no "steer by-wire" or "four wheel" steering is allowed)

4.8.5.8.2: Power assisted steering is allowed.

4.8.5.9: Older Chassis/Suspensions

4.8.5.9.1: Race cars that were eligible to compete in the TA2 class during 2010-2012, may continue to run the chassis/suspension combination that was used during that time period. Entrants must provide evidence of the rules when asked under which the car was prepared.

4.8.6: WHEELS/TIRES/BRAKES

4.8.6.1: Wheels must be 15" diameter specifically designed for racing. Wheel back spacing must be a minimum of 3.00 inches and a maximum of 7.00 inches. Maximum wheel width is 10". Wheels can be steel or aluminum and must weigh at least 18 pounds.

4.8.6.2: TA2 cars competing as GT2 cars in Road Racing events may use any tire that fits a TA2-compliant rim.

4.8.6.3: All vehicles must use dual master cylinder, 4-wheel disc brake systems.

4.8.6.4: Driver adjustable brake bias is allowed.

4.8.6.5: Brake rotors must be iron with a maximum diameter of 12.19", a minimum thickness of .810", and a maximum thickness of 1.25".

4.8.6.6: Brake fluid recirculators are allowed.

4.8.6.7: Inline blowers may be used in the brake cooling ducts.

4.8.6.8: Water cooling of the brakes is not allowed.

4.8.6.8: Electronically controlled anti-lock braking systems are not permitted.

4.8.6.9: Brake pad materials are unrestricted except for cost (4.8.2.1).

4.8.7: DRIVETRAIN

4.8.7.1: TRANSMISSION/CLUTCH /BELLHOUSING

4.8.7.1.1: Transmissions must be commercially available manual units with four forward gears and an operating, driver-engageable, reverse gear. All forward gears must be at least 1.00 inches thick. A manual "H-style" shift linkage is required. No sequential shift mechanisms are allowed. Ceramic bearings are not allowed.

4.8.7.1.2: The clutch is limited to no more than three steel disks and floater plates with a minimum clutch diameter of 5.25 inches. No carbon parts or carbon clutches are allowed.

4.8.7.1.3: Bellhousings must be Quarter Master, Tilton or meet requirements found in Appendix E. Transmissions must bolt directly to the rear bellhousing surface. (i.e. - the 10" spacers common in the Trans Am class are not allowed).

4.8.7.2: DRIVESHAFT

4.8.7.2.1: The driveshaft must be one piece and made of metal.

4.8.7.2.2: A minimum of two steel 360-degree driveshaft hoops shall be installed. The hoops must be of sufficient strength to contain the driveshaft in case of u-joint or driveshaft failure. The hoops shall be located within twelve (12) inches of the front of the shaft and as close as practical to the rear u-joint.

4.8.7.3: REAR END

4.8.7.3.1: All cars must utilize a commercially available quick change *or Ford 9"* rear end.

4.8.7.3.2: All axles and axle tubes must be made of steel.

4.8.7.3.3: Differentials must be of the Detroit Locker type (ratcheting), or the Trutrack type (helical/worm gear). A spool may also be used. Externally adjustable differentials are prohibited. Final drive units which permit ratio changes while the car is in motion are prohibited.

Appendix L. TA2 Rules

4.8.7.3.4: The maximum rear camber per wheel is +/- 2.0 degrees.

4.8.8: ENGINES

The "base" engine for TransAm's TA2 class is the GM LS3 as described in Addendum A. This engine can be used in all body types. Other engine packages are described in Addendums B-X. Specific rules for these engine packages are found in:

ADDENDUM A: TA2 "Base" Engine

ADDENDUM B: TA2 GM LS1 Engine

ADDENDUM C: TA2 Traditional Carbureted Engine

ADDENDUM D: TA2 Restricted Carbureted Engine

ADDENDUM E: TA2 EFI Ford Engine

ADDENDUM F: TA2 Carbureted Ford Engine

ADDENDUM G: TA2 Dodge Engine

As new engine packages are proposed, they will be evaluated by the Trans Am Series and may be added under these rules. New engines packages cannot exceed the American Muscle "Base" Engine's average power and torque levels over the normal operating RPM range. Any newly proposed engine package will be evaluated by the Trans Am Technical Manager. Evaluation will consist of the submission of a detailed American Muscle Engine Component Build Sheet, along with presenting a prototype engine for dynamometer testing. Contact the Trans Am Technical Manager for details.

The following rules apply to all engine packages:

4.8.8.1: All engines will be normally aspirated V-8s.

4.8.8.2: Engine offset is a maximum of 1.0 inch, measured from the crankshaft centerline to the longitudinal centerline of the chassis.

4.8.8.3: Engine setback is measured perpendicular to a line connecting the front suspension, left and right side, lower ball-joints to the engine bellhousing flange. The maximum setback for engines in Addendums A through F is 21.75-inches. The maximum setback for engines in Addendum G is 24-inches.

4.8.8.4: Engine height for Addendum A through F engines is a minimum of 9.5-inches above the ground, measured from the crankshaft centerline to the ground. Engine height for Addendum G engines is a minimum of 8.5-inches above the ground, measured from the crankshaft centerline to the ground.

4.8.8.5: Alternators must be OEM type and must be belt driven. They may be driven off the engine or drivetrain components.

4.8.8.6: Water pumps must be OEM type. Water pump impellers may be altered for improved cooling. The OEM coolant flow direction must be maintained

4.8.8.7: Spark plugs are unrestricted.

4.8.8.8: The radiator must retain a stock appearance and must be located in front of the engine. The top of the radiator may be laid back a maximum of 3.00 inches from vertical.

4.8.8.9: Any commercially available exhaust system that meets the Trans Am sound requirements may be used. Exhaust systems may be constructed from mild or stainless steel, and be chromed, ceramic coated, and/or painted. No Inconel, titanium, or other high cost materials may be used.

ADDENDUM A:

TA2 "BASE" ENGINE:

(GENERAL MOTORS LS3 ENGINE EXCEPT AS MODIFIED BELOW)

A.1: A stock Mass Air Flow (MAF) sensor, GM part #25168491, or #15865791 must be used. Any commercially available air filter may be used. All tubes between the air filter and throttle body must be metal (except unions used to connect intake tubes). The maximum outside diameter of the tubes is 4.0 inches. No tapered tubing, tapered inserts, or airflow directing devices may be used in the tubing connecting the air filter to the throttle body.

A.2: The throttle body must be either a GM 90mm, electronic, part #12570790, or Edelbrock 90mm, mechanical, part #3869 or #3870.

A.2.1: Throttle bodies may not be modified.

A.2.2: A 2.250 inch diameter flat plate restrictor must be in place during all practice, qualification, and race sessions. Teams or engine builders wishing to test using the restrictor should contact the Technical Manager of Trans Am and they will provide restrictors for sale.

A.3: An unmodified LS3 GM (short), or L92 GM (tall) intake manifold must be used. Identically equivalent GM part number intake manifolds may also be used.

A.4: Unmodified GM LS3 cylinder heads, GM casting #'s 0821, 0823, or 5364 must be used. Porting and/or polishing is not allowed. No more than a three angle valve job with a bottom cut of 60 degrees is permitted. A maximum of 0.250" inches from the head of the valve seat to the bottom of the 60 degree bottom cut is allowed. No grinding in the

- combustion chamber bowl area is allowed. No interior or exterior coatings are permitted. Valve covers are unrestricted.
- A.5: The maximum compression ratio is 10.7:1.
- A.6: The spec "American Muscle" camshaft must be used. Prior to use, each cam must be measured by the Trans Am Technical Manager. A Trans Am serial number will then be applied. The cam must be ordered through Schwanke Engines, (507.723.4120). Stock rocker arms, with a 1.7:1 ratio must be used. Stock valve spring retainers and keepers (locks/keys) must be used (no titanium). Any valve springs are allowed.
- A.7: The stock engine bore is 4.065 inches (103.25 mm). Cylinders may be honed as part of the normal freshening procedure, but the engine displacement cannot exceed 378 cubic inches.
- A.8: The stock crankshaft, with a 3.622 inch (92 mm) stroke, must be used.
- A.9: Aftermarket pistons, piston rings, piston pins and connecting rods may be used if the basic design and weight is the same as the stock GM components.
- A.10: Aftermarket fasteners, including rod bolts are allowed (no titanium).
- A.11: The oil pan is unrestricted, but the oiling system may not exceed a four-stage system (three scavenge and one pressure).
- A.12: A GM ECU must be used. It may be re-flashed and the maximum RPM set at 6800 RPM.

ADDENDUM B:

TA2 GM LS1"ENGINE:

(GENERAL MOTORS LS-1 CORVETTE ENGINE EXCEPT AS MODIFIED BELOW)

- B.1: A stock Mass Air Flow (MAF) sensor, GM part #25168491, or #15865791 must be used. Any commercially available air filter may be used. All tubes between the air filter and throttle body must be metal (except unions used to connect intake tubes). The maximum outside diameter of the tubes is 4.0 inches. No tapered tubing, tapered inserts, or airflow directing devices may be used in the tubing connecting the air filter to the throttle body.
- B.2: Throttle bodies can be mechanically or electronically operated.
- B.3: Intake manifold/fuel system options include:
- B.3.1: A stock, unmodified LS-1 intake manifold, GM #12560894, with the stock GM 75 mm throttle body
 - B.3.2: A stock, LS-2 intake manifold, modified only to fit a 90 mm throttle body, with any 90 mm throttle body.
 - B.3.3: A stock, LS-6 intake manifold, GM #12573572 or #88894339, with the stock GM 75mm throttle body.
 - B.3.4: The fuel injection system may be completely replaced with a Holley carburetor, 650 CFM, double pumper, part #0-80541. The carburetor must be completely unmodified except for changing of jets and changes (safety wire or epoxy) to keep the booster nozzles from falling into the intake manifold. No porting, polishing or addition of any other material is permitted. A maximum 1.00 inch thick spacer may be used between the intake manifold and the carburetor. This conversion also requires a GM intake manifold #88958675 and a MSD #6014X timing module.
- B.4: Unmodified LS cylinder heads, part numbers 241, 243, 799, or 853 must be used. Porting and/or polishing is not allowed. No more than a three angle valve job with a bottom cut of 60 degrees is permitted. A maximum of 0.250" inches from the head of the valve seat to the bottom of the 60 degree bottom cut is allowed. No grinding in the combustion chamber bowl area is allowed. No interior or exterior coatings are permitted.
- B.5: The maximum compression ratio is 10.1:1.
- B.6: The camshaft must be a GM #12480110 ("LS" V8 ASA cam).
- B.6.1: Max lift, measured at the intake and exhaust valves, = 0.525 inches
 - B.6.2: Duration at .050" lift: intake = 226 degrees, exhaust = 236 degrees
 - B.6.3: Lobe center separation angle = 110 degrees
 - B.6.4: Stock rocker arms, with a 1.7:1 ratio must be used.
 - B.6.5: Stock valve spring retainers and keepers (locks/keys) must be used (no titanium).
 - B.6.6: Any valve springs are allowed.
- B.7: The stock engine bore is 3.898 inch (99 mm). Cylinders may be honed as part of the normal freshening procedure, but the engine displacement cannot exceed 350 cubic inches.
- B.8: The stock crankshaft stroke, of 3.622 inch (92 mm) stroke, must be maintained.
- B.9: The crankshaft may be replaced with Eagle # 434636226100. Rods may be replaced with Eagle # 612503D2000, Callies Compstar # 6125LS1, or Engine Pro# 10-1108-8.
- B.10: Aftermarket fasteners, including rod bolts are allowed (no titanium).
- B.11: The oil pan is unrestricted, but the oiling system may not exceed a four-stage system (three scavenge and one pressure).
- B.12: A GM ECU must be used. It may be re-flashed and the maximum RPM set at 6800 RPM.

ADDENDUM C:

TA2 TRADITIONAL CARBURETED ENGINE

C.1: Air cleaners are required at all times. The air filter housing must be centered on the carburetor and all air entering the engine shall pass through the filter. The air filter element may not exceed 15.00 inches in diameter and the maximum element height is 4.00 inches.

C.2: The carburetor must be a Holley, 650 CFM, double pumper, part #0-80541. The carburetor must be completely unmodified except for changing of jets and changes (safety wire or epoxy) to keep the booster nozzles from falling into the intake manifold. No porting, polishing or addition of any other material is permitted. A maximum 1.00 inch thick spacer may be used between the intake manifold and the carburetor

C.3: Intake Manifolds:

C.3.1: No modifications to the intake manifold are allowed. No porting, polishing or filling of ports with any kind of material is allowed. No internal or external coatings or painting of any type is allowed.

C.3.2: Chevrolet intake manifold must be an Edelbrock Victor Jr., part #2975.

C.3.3: Ford intake manifold must be an Edelbrock Victor Jr., part #2980 or #2981.

C.3.4: Chrysler intake manifold must be an Edelbrock Victor W-2, part #2920.

C.4: Cylinder Heads:

C.4.1: The minimum combustion chamber allowed is 62.0 cc and the internal cylinder head chamber dimensions must remain identical to the cylinder head's original chamber dimensions. Grinding for cc adjustments is allowable only in the combustion chamber cavity area. The cylinder head's original squish area must not be modified from the original dimensions at any point in the cylinder head. Porting and polishing is not allowed. No more than a three-angle valve job with a bottom cut of 60 degrees is permitted. A maximum of 0.250 inches from the head of the valve seat to the bottom of the 60-degree bottom cut is allowed. No interior or exterior coatings are permitted.

C.4.2: Maximum intake valve diameter is 2.020 inches. Maximum exhaust valve diameter is 1.600 inches. No titanium valves are allowed. Valve stem size must be a minimum of 11/32" and must remain as delivered from the manufacturer without modification. No pro-flow or any type of valve that steps down in diameter beyond the listed dimensions are allowed.

C.4.3: Chevrolet cylinder heads must be Dart Iron Eagle 200 cast iron heads, part #10310010, which replaced part #1112B and #1115B.

C.4.4: Ford cylinder heads must be Dart Iron Eagle 200 cast iron heads, part #5302B, or World Products' Windsor Sr. iron heads, part #053040.

C.4.5: Mopar cylinder heads must be Mopar Performance Econo W2, part #P4529994.

C.4.6: Valve covers are unrestricted.

C.5: The maximum compression ratio is 10.2:1.

C.6: Any roller or flat tappet camshaft with a maximum lift of 0.612 inches (measured at the valve with zero lash) may be used. Engle cam shaft part #RK-38 meets these specifications. The cam drive may use either a chain or belt system. Rocker arms may be any OEM, or roller bearing type. No split shaft or shaft mounted rocker arms are permitted. The maximum rocker arm ratio is 1.6:1.

C.7: Aftermarket engine blocks are allowed, but must be equal to or greater in weight and exterior dimensions compared to the original manufacturer of the make and model. No aftermarket aluminum blocks are allowed. Engine displacement can be a maximum of 358 cubic inches.

C.8: The crankshaft must be made of steel or iron. The stroke may be increased or decreased, but the minimum stroke length is 3.25 inches. The minimum (bare crank) allowable weight is 46 pounds. Lightweight, knife-edge, 180-degree, pendulum cut, scalloped, and/or undercut counterweight crankshafts are prohibited.

C.9: Aftermarket or OEM pistons must be any forged flat top version, however valve reliefs may be cut into the top surface. No portion of the piston may protrude from the block. Each piston must have two compression rings and one oil ring groove. The minimum wall thickness of the piston wrist pin must be .125 inches and must be made of steel. Any type of wrist pin locking device may be used. Connecting rods must be solid steel. No titanium, aluminum, stainless steel or composite rods are allowed.

C.10: Aftermarket fasteners, including rod bolts are allowed.

C.11: The oil pan is unrestricted, but the oiling system may not exceed a four-stage system (three scavenge, and one pressure).

C.12: Ignition systems may be OEM or electronic. No magnetos are allowed. The distributor must mount in the stock location. No ignition components may be located on the driver's side of the chassis. The ignition(s) must have a soft touch rev limit chip set at 7000 rpm (no variable and/or adjustable ignition systems are allowed). The soft touch system must be enclosed and have no interruptions or breaks in the wires en route to the distributor. All ignition wires connecting to the rev limiter(s), the ignition box(es), and the coil(s) must be readily accessible for inspection. No other wires may intersect or connect to those wires operation the ignition system(s) save for the ignition switch(es). If more than one ignition box is used each will be limited by a separate 7000 RPM rev limiter.

ADDENDUM D:

TA2 RESTRICTED CARBURETED ENGINE

D.1: Air cleaners are required at all times. The air filter housing must be centered on the carburetor and all air entering the engine shall pass through the filter. The air filter element may not exceed 15.00 inches in diameter and the maximum element height is 4.00 inches.

D.2: Any 4 barrel, modular carburetor may be used, subject to the following restrictions:

D2.1: Engines using a Holley, 650 CFM, double pumper, part #0-80541 will be limited to 7000 RPM. The carburetor must be completely unmodified except for changing of jets and changes (safety wire or epoxy) to keep the booster nozzles from falling into the intake manifold. No porting, polishing or addition of any other material is permitted. A maximum 1.00 inch thick spacer may be used between the intake manifold and the carburetor.

D.2.2: Restricted engines using any other carburetor will be limited to 6500 RPM. A maximum 1.00 inch thick spacer may be used between the intake manifold and the carburetor.

D.3: Any intake manifold may be used.

D.4: Any cylinder heads may be used. Maximum intake valve diameter is 2.050 inches. Maximum exhaust valve diameter is 1.600 inches. No titanium valves are allowed. Valve covers are unrestricted

D.5: The maximum engine compression ratio is 9.5:1.

D.6: Any roller or flat tappet camshaft with a maximum lift of 0.550 inches (measured at the valve with 0 lash) may be used.

D.7: Aftermarket engine blocks are allowed, but must be equal to or greater in weight and exterior dimensions compared to the original manufacturer of the make and model. No aftermarket aluminum blocks are allowed. Engine displacement can be a maximum of 366 cubic inches.

D.8: The crankshaft must be made of steel or iron. The stroke may be increased or decreased, but the minimum stroke length is 3.25 inches. The minimum (bare crank) allowable weight is 46 pounds. Lightweight, knife-edge, 180-degree, pendulum cut, scalloped, and/or undercut counterweight crankshafts are prohibited.

D.9: Connecting rods must be solid steel. No titanium, aluminum, stainless steel or composite rods are allowed.

D.10: Aftermarket fasteners, including rod bolts are allowed.

D.11: The oil pan is unrestricted, but the oiling system may not exceed a four-stage system (three scavenge and one pressure).

D.12: Ignition systems may be OEM or electronic. No magnetos are allowed. The distributor must mount in the stock location. No ignition components may be located on the driver's side of the chassis. The ignition(s) must have a soft touch rev limit chip set at a maximum of 6500 or 7000 rpm depending the carburetor being used (no variable and/or adjustable ignition systems are allowed). The soft touch system must be enclosed and have no interruptions or breaks in the wires en route to the distributor. All ignition wires connecting to the rev limiter(s), the ignition box(es), and the coil(s) must be readily accessible for inspection. No other wires may intersect or connect to those wires operation the ignition system(s) save for the ignition switch(es). If more than one ignition box is used each will be limited by a separate RPM rev limiter.

ADDENDUM E:

TA2 EFI FORD ENGINE**TA2 EFI Ford Engine**

E.1: Only Spectre plenum (part # 9849), SLP air filter housing (part # 21044), with Howe air filter base (part # E147), and AC Delco air filter (part # 25042562) are approved for competition. The air filter must be mounted on the top of the radiator air box and draw air through the nose of the car. A single inlet tube between the air filter and throttle body must be metal (except unions used to connect intake tubes). Nothing may direct or force air to air filter, or housing. The filter must be installed into housing, and just the filter hanging thru with no scoops, deflectors, or funnels directing air. Single inlet tube must be 4" OD with a wall thickness of 0.055"-0.085". Absolutely nothing can be located inside of the tube with the exception of an air temperature sensor, or a mass air flow sensor. No devices, or strategies, that attempt to alter the air flow are allowed. It is strongly suggested that any air intake systems, or alteration, that competitors would like to run be approved in writing by the TA2 Technical Director.

E.2: An unaltered Governor 1" Base Plate (Part #: ALL26060) with unaltered 1.250" inserts (Part #: ALL26066) must be in place during all practice, qualification, and race sessions. Other than 0.063" normal gaskets, no part other than the Governor Plate 1" spacer may be placed between the throttle body base and the intake manifold. It is mandatory that two throttle return springs be used.

E.3: Fuel injectors must be a Bosch part # 0 280 158 051, or GM 12576341, 42 lbs/hr @ 58 PSIG. The fuel pressure must be set to 58 PSIG.

E.4: The Ford EFI Kit (P/N: 50P-0015) must be used. This kit contains an EFI intake manifold, Ilmor part #

50P-0019, fuel rails and brackets, and ignition coils with brackets/spacers. Also included in the kit are the fuel pressure sensor, oil pressure sensor, water temperature sensor, air temperature sensor, MAP sensor, EPM, injectors, throttle body, and engine wiring harness. Individual parts from the kit will also be available for sale from Koury Race Engines. No modifications to the intake manifold, or other components, are allowed. A crank triggering sensor may replace the EPM.

E.5: Dart Pro 1, CNC ported aluminum cylinder heads, part # 13072040 (with 5/16" valve guides) must be used. Additional port modification (porting/polishing) is not allowed. The Dart (Tech Sheet H33, 3/31/15) supplied five-angle intake valve seat (32 - 45 - 60 - 70 - 80 deg.) and exhaust seat (37 - 45 deg. - radius) may be used. As an alternative, a three-angle valve job with a bottom cut of 60-degrees having a maximum of 0.250" from the head of the valve seat to the bottom of the 60-degree bottom cut is allowed. No grinding in the combustion chamber bowl area is allowed. The minimum combustion chamber volume is 62cc (+/- 2-cc). No interior, or exterior, coatings are permitted. Valve covers are unrestricted. Intake rocker arms must be Comp Cams part # 1834 with a 1.7:1 ratio. Exhaust rocker arms must be Comp Cams part # 1832 with a 1.6:1 ratio. Intake valves may be REV part # CL8003, Manley part # 11712, or Ferrea part # 2341P. The intake valves must have a 2.08" head diameter, and 5/16" stem diameter. Exhaust valves must be REV part # CL80031171, Manley part # 11231, or Ferrea part # 2300 with a 1.60" head diameter and 5/16" stem diameter. The valves may not be modified. The valve springs must be PSI part # LS1511ML, # LS1717ML, or PAC part #1207X. Any retainers and locks may be used.

E.6: The maximum compression ratio is 10.8:1.

E.7: The spec "Trans Am 2" Ford camshaft must be used. Prior to initial use, each cam must be measured by the TA2 TECHNICAL DIRECTOR. A Trans Am serial number will then be applied. The cam must be ordered through Koury Race Engines (386.547.4311). The hydraulic roller lifters must be Crain, part # 36532, or Johnson part # 2212SBR - standard travel.

E.8: An aluminum engine block, Dart part # 31345295, or Ford Racing part # M6010-Z35192 must be used. The engine bore is 4.125". Cylinders may be honed as part of the normal freshening procedure, but the engine displacement cannot exceed 376 cubic inches (0.010" overbore).

E.9: The following crankshafts, with a 3.500" stroke, are allowed: Callies part # EFG-71T-DS, Scat part # 4351c16-2, or Molnar part # 351-3500HB6F-RN. The crankshaft may not be modified. The minimum weight is 47 pounds.

E.10: Mahle pistons, piston pins, and rings (older part #'s; SBF245125FO6, SBF245130FO6, or SBF245135FO6 or the newer part #'s 930244425, 930244428, 930244430, 930244432, or 930244435) must be used. As of May 2018, a Mahle Spec TA2 piston part #197722725-197722735 should be used on new and rebuilt engines. No modifications of the pistons (including gas porting) are allowed. The connecting rods must be 6.2" center-to-center, and must be Callies Compstar part # CSA6200DS2A2AH, Scat part # 2-ICR6200-7/16A, Oliver part # C6200STUL8, or Molnar part # FH6200NLB8-A. The connecting rods may not be modified.

E.11: Aftermarket fasteners, including rod bolts are allowed (no titanium).

E.12: The oil pan is unrestricted, but the oiling system may not exceed four-stages (three scavenge, one pressure).

E.13: All Ford engines must use the Trans Am AEM 508 Infinity ECU must be used (AEM part # 30-7108TA). The ECU is only available from Trans Am, or approved TA2 engine builders, and will come loaded with the current TA2 Ford "spec" calibration. As of June 1, 2018, the file for the spec calibration is; TA2-REV08-FORD-KATECH (created 5/17/2018). Fuel and ignition calibration is locked from 3500-6800 RPM. At RPM below 3500, engine builders and team tuners will be given some control. Traction Control is locked out, and the engine speed limit is set at 6800 RPM. The AEM TA2 chassis wiring harness (AEM part # 36-3820), and AEM Ford engine wiring harness (AEM part # 36-3826), must be used. The harnesses are only available from Trans Am, or approved TA2 engine builders.

ADDENDUM F:

TA2 CARBURETED FORD ENGINE

F.1: Air cleaners are required at all times. The air filter housing must be centered on the carburetor and all air entering the engine shall pass through the filter. The air filter element may not exceed 15.00 inches in diameter and the maximum element height is 4.00 inches.

F.2: An unaltered Governor 1" Base Plate (Part #: ALL26060) with unaltered 1.250" inserts (Part #: ALL26066) must be in place during all practice, qualification, and race sessions. Other than 0.063" normal gaskets, no part other than the Governor Plate 1" spacer may be placed between the carburetor and the intake manifold. It is mandatory that two throttle return springs be used.

F.3: The carburetor must be a Holley, 650 CFM, double pumper, part #0-80541. The carburetor must be completely unmodified except for changing of jets and changes (safety wire or epoxy) to keep the booster nozzles from falling into the intake manifold. No porting, polishing or addition of any other material is permitted.

F.4: Dart Pro 1, CNC ported aluminum cylinder heads, part # 13072040 (with 5/16" valve guides) must be used. Additional port modification (porting/polishing) is not allowed. The Dart (Tech Sheet H33, 3/31/15) supplied five-angle intake valve seat (32 – 45 – 60 – 70 - 80 deg.) and exhaust seat (37 - 45 deg. - radius) may be used. As an alternative, a three-angle valve job with a bottom cut of 60-degrees having a maximum of 0.250" from the head of the valve seat to the bottom of the 60-degree bottom cut is allowed. No grinding in the combustion chamber bowl area is allowed. The minimum combustion chamber volume is 62cc (+/- 2-cc). No interior, or exterior, coatings are permitted. Valve covers are unrestricted. Intake rocker arms must be Comp Cams part # 1834 with a 1.7:1 ratio. Exhaust rocker arms must be Comp Cams part # 1832 with a 1.6:1 ratio. Intake valves may be REV part # CL8003, Manley part # 11712, or Ferrea part # 2341P. The intake valves must have a 2.08" head diameter, and 5/16" stem diameter. Exhaust valves must be REV part # CL80031171, Manley part # 11231, or Ferrea part # 2300 with a 1.60" head diameter and 5/16" stem diameter. The valves may not be modified. The valve springs must be PSI part # LS1511ML, # LS1717ML, or PAC part #1207X. Any retainers and locks may be used.

F.5: The maximum compression ratio is 10.8:1.

F.6: The spec "Trans Am 2" Ford camshaft must be used. Prior to initial use, each cam must be measured by the TA2 TECHNICAL DIRECTOR. A Trans Am serial number will then be applied. The cam must be ordered through Koury Race Engines (386.547.4311). The hydraulic roller lifters must be Crain, part # 36532, or Johnson part # 2212SBR – standard travel.

F.7: An aluminum engine block, Dart part # 31345295, or Ford Racing part # M6010-Z35192 must be used. The engine bore is 4.125". Cylinders may be honed as part of the normal freshening procedure, but the engine displacement cannot exceed 376 cubic inches (0.010" overbore).

F.8: The following crankshafts, with a 3.500" stroke, are allowed: Callies part # EFG-71T-DS, Scat part # 4351c16-2, or Molnar part # 351-3500HB6F-RN. The crankshaft may not be modified. The minimum weight is 47 pounds.

F.9: Mahle pistons, piston pins, and rings (older part # 's; SBF245125FO6, SBF245130FO6, or SBF245135FO6 or the newer part #'s 930244425, 930244428, 930244430, 930244432, or 930244435) must be used. As of May 2018, a Mahle Spec TA2 piston part #197722725-197722735 should be used on new and rebuilt engines. No modifications of the pistons (including gas porting) are allowed. The connecting rods must be 6.2" center-to-center, and must be Callies Compstar part # CSA6200DS2A2AH, Scat part # 2-ICR6200-7/16A, Oliver part # C6200STUL8, or Molnar part # FH6200NLB8-A. The connecting rods may not be modified.

F.10: Aftermarket fasteners, including rod bolts are allowed (no titanium).

F.11: The oil pan is unrestricted, but the oiling system may not exceed four-stages (three scavenge, one pressure).

F.12: The engine speed rev limit is set at 6800 RPM. <also placeholder for ignition specs coming from Tony Ave>

ADDENDUM G:

TA2 DODGE ENGINE

G.1: Only a SLP air filter housing (part # 21044), with Howe air filter base (part # E147), and AC Delco air filter (part # 25042562) are approved for competition. The air filter must be mounted on the top of the radiator air box and draw air through the nose of the car. A Single Inlet Tube between the air filter and throttle body must be metal (except unions used to connect intake tubes). Nothing may direct, or force air, to the air filter, or housing. The filter must be installed into housing, with just the filter hanging through with no scoops, deflectors or funnels directing air. The single inlet tube must be 4" OD with a wall thickness of 0.055"-0.085". Absolutely nothing can be located inside of the tube except for an air temperature sensor, or a mass air flow sensor. No devices, or strategies that attempt to alter the air flow are allowed. It is strongly suggested that any air intake systems or alteration that competitors would like to run be approved by the TA2 Technical Director.

G.2: The throttle body must be a F.A.S.T. 87mm throttle body (part # 54088). The throttle body may not be modified. It is mandatory that two throttle return springs be used.

G.2.1: A 2.150" diameter flat plate restrictor must be in place during all practice, qualification, and race sessions. The restrictor must be mounted in the inlet side of the throttle body.

G.2.2: Fuel injectors must be Chrysler, part # 05038337AA. The fuel pressure must be set to 75 PSIG.

G.3: An intake manifold assembly, (PREFIX part # ARR-9105) must be used. It may not be modified.

G.4: Aluminum cylinder head assemblies (PREFIX part #'s ARR-6556HO (right) and ARR 6555HO(left) must be used. Porting and/or polishing is not allowed. No more than a three-angle valve job with a bottom cut of 60-degrees is permitted. A maximum of 0.250" from the head of the valve seat to the bottom of the 60-degree bottom cut is allowed. No grinding in the combustion chamber bowl area is allowed. No interior or exterior coatings are permitted. Valve covers are unre-stricted. Rocker arm assemblies (Chrysler part #'s 53021552AA-intake, and 53021553AA-exhaust) with a 1.68:1 ratio must be used. Intake and exhaust valves (Chrysler part # ARR-CAS-1340, and # 05038332AB) must be used. The intake valve diameter is

2.14" and the exhaust valve diameter is 1.65". Both valves have a 7.95mm stem diameter. Any valve springs, retainers, and locks are allowed.

G.5: The maximum compression ratio is 11.0:1.

G.6: The "spec" Trans Am 2 camshaft assembly (PREFIX part # ARR-12674-694) must be used. Prior to use, each cam must be measured by the TA2 TECHNICAL DIRECTOR. A Trans Am serial number will then be applied.

G.7: An aluminum cylinder block (PREFIX part # ARR-TA2-3897) must be used. The stock engine bore is 4.095". Cylinders may be honed as part of the normal freshening procedure, but the engine displacement cannot exceed 392 cubic inches.

G.8: A crankshaft (PREFIX part # ARR-TA2-8339) with a 3.720" stroke must be used. The minimum weight is 55 pounds (with tone wheel and bolts).

G.9: Pistons assemblies (piston, pin, rings) (PREFIX part # ARR-197804695) must be used. Connecting rods (PREFIX part # ARR-X-DH6200TNB8; 6.2" length) must be used.

G.10: Aftermarket fasteners, including rod bolts are allowed (no titanium).

G.11: The oil pan is unrestricted, but the oiling system may not exceed five-stages (four scavenge, one pressure).

G.12: All Dodge Hemi engines must use the Trans Am AEM 508 Infinity ECU must be used (AEM part # 30-7108TA) The ECU is only available from Trans Am or approved TA2 engine builders and will come loaded with the TA2 Dodge Hemi "spec" calibration. Fuel and ignition calibration is locked from 3500-6800 RPM. At RPM below 3500 engine builders and team tuners will be given some control. Traction Control is locked out, and the engine speed limit is set at 6800 RPM. The AEM TA2 chassis wiring harness (AEM part # 36-3820) and AEM Dodge Hemi engine wiring harness (AEM part # 36-3825) must be used. The harnesses are only available from Trans Am or approved TA2 engine builders.

SUMMARY OF ENGINE COMPLIANCE PARAMETERS

There are items specific to each engine option, but here are the ones common to all that can be verified by non-invasive means:

Addendum / Description	Max cubic inches	Restrictor	Max Compression	Max RPM
A: TA2 "Base" Engine	378 2.250"	10.7:1	6800	
B: TA2 GM LS1 Engine	350 None	10.1:1	6800	
C: TA2 Traditional Carbureted Engine	358 None	10.5:1	7000	
D: TA2 Restricted Carbureted Engine				
. with "spec" 650 Holley				
. with any other carburetor	366 None	9.5:1		
				7000
				6500
E: TA2 EFI Ford Engine	376 1.250"	10.8:1	6800	
F: TA2 Carbureted Ford Engine	376 1.250"	10.8:1	6800	
G: TA2 Dodge Engine	392 2.150"	11.0:1	6800	

Addendum/Description	Max Cubic Inches	Restrictor	Max Compression	Max RPM
A: "Base" Engine	378	2.250"	10.7	6800
B: GM LS1 Engine	350	None	10.1	6800
C: Traditional Carbureted Engine	358	None	10.5	7000
D: Restricted Carbureted Engine	366	None	9.5	7000
-with "spec" 650 Holley				6500
-with any other carburetor				
E: EFI Ford Engine	376	1.250"	10.8	6800
F: Carbureted Ford Engine	376	1.250"	10.8	6800
G: Dodge Engine	392	2.150"	11.0	6800

NOTES:

APPENDIX M. SMG TECHNICAL REGULATIONS

The Spec Mustang class is for the S197 Ford Mustang GT built from 2005-2009. The goal of this class is to provide a fast and safe race car that is affordable to build and maintain with readily available parts and a fully adjustable racing suspension.

Cars must meet the general regulations of Section 9 of the SCCA General Competition Regulations (GCR) for Touring category cars.

Ford Racing Parts listed may or may not be available from Ford Performance. If, at any time there is a loss of supply of any of these parts, please notify SMG immediately so that SMG, as a group, can select an equivalent alternative.

The following items represent approved modifications and safety items permitted and/or required on Spec Mustangs, in addition to safety items required by Section 9 of the GCR. Permitted components or modifications must not perform a prohibited function.

1. ELIGIBILITY

- Ford Mustang GT hardtops with manual transmissions from 2005-2009 (S197)
- Bullitt Option Mustangs and Shelby GT Option Mustangs are permitted, but must be brought to spec per the rules and part numbers listed below.

2. SPECIFICATIONS

a. Engine Type:

SOHC 24-valve V-8, aluminum block and heads, port fuel injection Displacement: 281 cu in, 4601cc 4.6 liter)

b. Transmission: 5-speed manual, factory.

c. Dimensions: Wheelbase: 107.1 inches; Length: 188.0 inches; Width: 73.9 inches

Front and rear track measured from outside to outside of tires front and rear:

Front: 75 inches Rear: 74-3/8 inches

d. Weight with driver: 3400 lbs.

e. Allowed Interior Modifications

1. Remove all interior trim, door panels, sound system and components, air bags and related wiring, A/C, compressor and condenser with hoses/fittings, heater/heater motor/core, glove box, headliner, driver and passenger windows with hardware, column steering lock, seats and hardware/motors, carpeting and sound insulation, interior lighting, console. Radio/HVAC panel in center of dash may be removed. Otherwise, face of dash to remain intact with air vents removed. Blinkers and switches to be removed.
2. Driver "dead pedal" allowed.
3. Ballast, if required to be located on floor of front or rear passenger area, secured per GCR approved method.
4. Interior rear view mirror is open and mandatory.
5. Emergency brake may be removed.
6. Removable steering wheel allowed.

f. Body

1. Body to remain intact including rocker panel valance. Must run the Steeda splitter and wing listed below. Fog lights may be removed and replaced with cosmetic panel. No flaring of fenders is allowed. Rolling of inner fender lips is allowed.
2. Stock windshield, rear backlight and quarter windows are required. Lexan is not allowed. Windshield and backlight may have retention straps installed.
3. Trunk lock assembly to be removed and replaced with external fastener(s).
4. Hood pins allowed and encouraged.
5. 1" square steel tube welded to inside body seam under each door for the purposes of jacking the car is allowed.
6. Stock side view mirrors to remain in place and functional.
7. Fuel cells are not allowed.

8. Radiator side air deflectors (M-8310-A or equivalent) and lower connecting plate is permitted as a replacement structure for air inlet flow to the radiator. It may not serve any other purpose and must be within the confined area of the OEM plastic lower air deflector. This will be used in conjunction with the OEM lower air deflector.
- g. Safety
1. Cars must meet the safety regulations of Section 9 of the SCCA GCR for Touring category cars.
 2. SCCA General Competition Regulations compliant head restraint racing seat to be installed for driver. Optional similar seat for passenger is allowed. In no circumstances will the roll cage obstruct the passenger area from being functional Six-point harness is required for driver and passenger (if seat is installed).
 - a. Petty Bar is allowed so long as it is removable and not permanently attached to the roll cage.
 3. Window net required on driver's side.
 4. SCCA compliant fire bottle or fire system required.
 5. GCR compliant, (per Section 9.4 GT and Production Car specs) roll cage required, double side bars required both sides. SMG roll cages limited to 6 points of contact to the car. Optionally, two additional bars, extending forward to, but not penetrating the firewall for foot protection may be added. Additional gusseting connecting the cage to the body is also prohibited.
 6. Master on/off switch to be mounted at lower front of driver's window, not to block rear view mirror.
 7. Steel tow hooks required front and rear, welded to bumpers.
- h. Suspension
1. 1. The Cortex Racing Spec Mustang Xtreme-Grip Suspension Kit PN CSS-40-1000-SMG (for KONI) or CSS-40-1000-JRI-SMG (for JRI) is required. Suspension modifications are limited to this kit as specified below. Any replacement of items in this kit must be the current component part number from this kit.
 2. Either: Koni Struts and Rear Coilover Shock with Springs Kit comprised of single adjustable, Koni struts and Koni rear coilover dampers with matching springs. Strut system part number:
 CFS-40-1000-SMG (for KONI) or CFS-40-1000-JRI-SMG (for JRI), rear shock system PN:
 SHK-40-1000-JRI-SMG.
 or
 JR Single Adjustable Coilover Kit Part #CCK-40-1000-JRI-SMG
 No mixing of the Koni and Jri shocks is allowed.
 3. Spring rates: 600 lbs. OR 500 lbs., front, 450 lbs. OR 400 lbs. rear.
 Eibach part numbers:
 1. Front 0700.250.0600; 0700.250.0500
 2. Rear 0800.250.0400; 0800.250.0450
 4. Maximum negative front camber is 3.5 degrees. The approved technique to accomplish this is by using the Cortex P/N CFS-40-ALIGN-SMG, SMG alignment kit (which includes camber slugs P/N CFS-40-1010), in all SMG strut housings. Installation guidelines are provided by Cortex. The Jri front strut housing will already have this feature. This CFS-40 kit is allowed, not required. But this IS the only allowed means to go beyond 3.0 degrees of negative camber. Potential tire clearance issues, resulting from this modification, are addressed in section: o.
 No machining of body to allow further travel.
 Caster: min. +6.35 max. +7.85
 Camber plate PN MM5CC-5 or CCP197-05-09.
 Figure 1: SMG Strut housing with Slotted Upper Hole. (Note: Jri housings have the slot on the bottom hole)

Fig.1

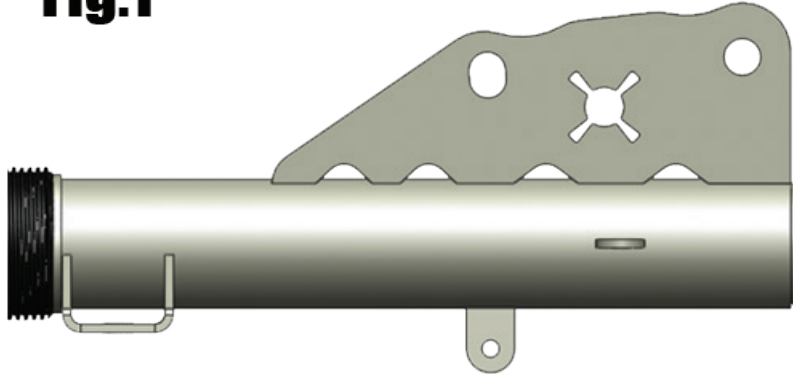


Figure 2: SMG Strut Housing with Camber Slug Installed.

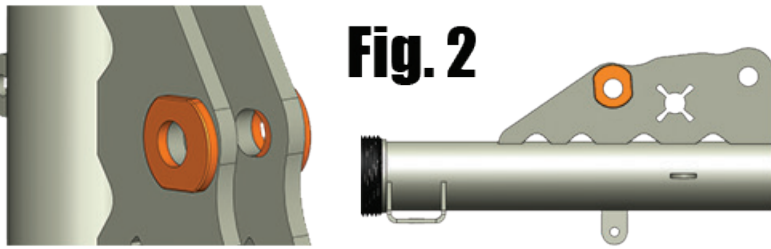


Fig. 2

REAR:

5. Bump stops - Stock rear bump stops require modification or removal to install the Cortex suspension. The shocks and struts that come with the Cortex Kit have bump stops installed and must be retained.
6. Cortex Rear lower control arm bracket, PN CLCA-40-1001 (left), CLCA-40-1003 (right).
7. Rear tubular lower control arms with heim joints and angle-correction spacers at both ends (set), PN CLCA-1000.
8. Rear shock mounts allowing fitment of up to 18" x 10.5" rear wheels, PN RUSM-40-1000L-ASSY, RUSM-40-1000R-ASSY, RLSM-40-1000L-ASSY, RLSM-40-1000R-ASSY.
9. Cortex Watts Link package, PN CWL-40-2000-SMG
 - a. Cortex's differential cover: incorporates the Watts pivot mount as well as provision for a differential cooler and temperature sensor (allowed option), PN CWL-1001.
 - b. Eibach PN 35101.310 front, adjustable anti-sway bar or Ford Racing PN M5490A (Front only).
 - c. Ford Racing PN M-20201F Strut tower brace – Also Hotchkiss PN 2016016.
 - d. Upgraded ball joints (Steeda X5), PN 555-8108.
 - e. Lower control arm part #M-3075-RA is allowed.

FRONT:

10. Allowed modification not included in Cortex Package: front, lower control arm bushings: Prothane PN 6-218-BL forward bushing PN 6-220-BL Rearward bushings (replace large hydro-bushing.. This is not seen as a significant performance enhancement, rather and a cost savings when bushings are worn. This allows them to be replaced without entire control arm replacement.
11. Cortex Racing Adjustable length anti-roll bar end links for corner balance, PN ARB-40-1002. (Included with CSS-40-1000JRI-SMG).
12. Cortex Racing bump steer kit, PN CBS-40-1000 (Included with CSS-40-1000SPEC).
13. Steeda 555-4104 upper link/differential mount spherical bearing is permitted.
14. Any type/origin of upper 3rd link and mount bracket assembly may be used. Factory original loca-GCR - 190

tions for mounting holes (on both body and differential) must be retained.

15. Rear anti-sway bar allowed – must be OEM, either 18 mm (6R335A771BB) or 22 mm (Ford Racing #M-5490-AR Eibach #35101.12).
16. Rear lower control arm to axle housing relocate bracket, and the rear lower shock mount bracket may be welded for reinforcement.

i. Brakes

1. StopTech STR40 Trophy front brake kit (PN 87.330.4C00.R1) with 355mmx35mm rotors (PN 31.747.1101.87, 31.747.1102.87) and the STR40 calipers (PN 379.444.7133, 379.44.7134). Aftermarket rotor of same size allowed.
2. Rear brakes stock caliper required. Aftermarket rotor of stock size allowed.
Elimination of the parking brake and adjuster cylinder is allowed, which will require the installation of the StopTech knockback spring.
3. Shelby GT500 ABS module required Ford Racing PN M-2353A or M-2353-CA.
4. Stainless braided lines are allowed.
5. Brake pads are free.
6. Ducting to front and rear brakes is allowed.
7. Removal of dust shields front and rear is allowed (highly recommended).
8. The OEM brake booster assembly from a 2007-2009 Shelby GT500 (7R3Z-2005-AA/8R3Z-2005-AB) is permitted and recommended.
9. The OEM GT500 Brembo brake calipers from a 2007-2009 Shelby GT500 are allowed. Ford OEM part (7R3Z2B120A.RT/ 7R3Z2B121A.LT).

j. Transmission/Differential

1. Stock transmissions: 5 speed to run with 3.90 ratio rear end. Manufacture Motive Gear, PN F888390.
2. Ford Racing Short-shift kit with knob PN M-7210T, Hurst PN 391-0201, or MGW Short Throw shifter for 2005-2009 Mustang GT. Stock shifter can be run.
3. Eaton Truetrac limited slip differential required (PN 913A561); overflow bottle allowed. If housed inside trunk this triggers need for full bulkhead of trunk area.
4. Driveshaft loop required.
5. Metallic, one-piece driveshaft is allowed.

k. Engine

1. No modifications to the engine are allowed except where specifically authorized within these rules. RACE-BUILT ENGINES ARE NOT ALLOWED. All engines will be as built and delivered by Ford Motor Company.
2. Cars in this class are to run stock 4.6 liter engines from 2005-2009 cars at no more than 315 rear wheel horsepower, and 325 ft lbs of torque. Updating or backdating of entire engine long block is allowed.
3. Dyno testing may be required if it appears that an engine in a competing car has an edge in power. Determination of any potential power advantage will be made by SCCA stewards. Test to be done at owner's expense by dyno shop approved by the SCCA.
4. Engine is to be unmodified internally. No balancing or blueprinting is allowed.
5. Ford Racing radiator required: M-8005-MGT or BE COOL PN 60205.
6. Ford Racing de-gas overflow bottle/radiator cap allowed: PN M-8080-A or Moroso PN 63768.
7. Long tube headers: Borla PN 17237 with X pipe (discontinued). Approved alternative American Racing Header PN: MT3-05134300LSNC with x-pipe OR Kooks Header PN: 11312000 with Off-road x-pipe. (Ford Racing short tube on Miller cars grandfathered).
8. Cold air intake kit: M-9603-M463; Steeda #555-3131 or Ford Racing #M-9603-GT06.
9. Ford Racing power steering cooler required: Ford PN M3746A or Derale PN 13225.
10. Ford Racing idler pulley required: PN M19216-D46 or Dorman PN 34191.
11. ECU tuning is allowed not to exceed the HP limit regulation listed in this Engine section.

12. The Steeda PN 701-0005A which is an Underdrive Pulley System consisting of a water pump pulley and a SFI rated crankshaft pulley/damper" is allowed, but does not exempt competitor from meeting HP and torque limits. (Optional)
 13. Fuel shall comply with GCR Section 9.3. Fuel.
 14. Clutch replacement: The following specified replacement clutch parts are:
 - a. Clutch disc Centerforce PN DF380800
Clutch disc limited to OEM diameter (11") with OEM equivalent pressure plate and flywheel.
 15. Stock pressure plate: Ford PN 8R3Z-7563-A or Sachs PN SC70272.
 16. Dorman throw out bearing Ford PN 4R3Z-7A-508-AA, or Dorman PN CS650109.
 17. Road racing oil pan, Moroso P/N 20548/18548 is allowed.
 18. Ford Racing high volume oil pump #M-6600-F46 is allowed.
 19. EVAP/emissions system components on engine and chassis may be modified, removed, or disabled, but, not vented from engine to exhaust or any vacuum source other than the engine air intake. An engine oil/air separator is permitted but is restricted to the driver's side PCV hose and must be mounted within the engine compartment. Charge motion delete plates or plugs are permitted. Throttle body spacers are NOT PERMITTED.
 20. Ford Racing #M-6038-R or Prothane #6-505-BL motor mounts are permitted as a replacement to the OEM motor mounts. The engine must retain its original mounting location and height.
- l. Exhaust
1. Stock GT exhaust to be retained with catalytic converters and resonators removed. Car to be legally able to run at 92db at 100 feet.
- m. Electrical
1. Stock wiring recommended but removal of unused wiring is allowed.
- n. Aero package
1. All Spec Mustangs will run the Steeda fixed rear wing, PN 307-0009
 2. Splitter, two options allowed:
 - a. Classic Design Concepts – Steeda PN 067-110020 Chin Spoiler-GT
 - b. Front fascia that includes integrated splitter: Steeda part PN 555-0500
 3. Miller Cup Mustang carbon fiber splitter grandfathered on original Miller cars.
- o. Wheels/Tires
1. Jongbloed Wheel, Part PN 70010545 - 18" X 10.5" front and rear. All tires and wheels on car must be the same size.
 - a. Apex Wheels, Part PN: EC71810ET43-45 – 18" x 10" front and rear. Black, Anthracite and Hyper-silver are permitted colors.
 2. Wheels for practice and rain conditions are free; they must all be the same size.
 3. Tires: SMG cars competing in Touring Category may run any tire that meets 9.3 and that meets the size specified by the SMG rules (max tire size 295, aspect ratio open). SMG cars competing elsewhere should consult the supplemental regulations for that event for any potential tire specification requirements when running as a regional only SMG class.
 4. 0.5" hub-centric wheel spacers are an allowed option in front only.
- p. Graphic Requirements:
1. All Spec Mustang must have SCCA Road Racing decals on each side and front per GCR, SMG Class stickers and numbers per GCR.
 2. Other graphic requirements are based on annual sponsors, to be distributed accordingly.
- q. Allowed options
1. Tiger racing vented, fiberglass hood
 - a. OEM Ford hood with louvers not to exceed the dimensions of those found in the optional "Tiger Racing" hood is allowed.
 2. AIM dash/transponder system

3. Oil Cooler - Derale PN 52508 or equivalent

APPENDIX O. SMALL REGIONAL EVENT STEWARD MODEL

This section is intended to provide Regions with an alternate Steward model for small Regional and Drivers' School events. Its intent is to reduce the required number of Race Officials and streamline some of the processes and procedures required at larger events.

Unless specifically listed below all other sections of the GCR shall apply.

1. EVENTS

This model may be used to conduct small Regional and Drivers' School events, about 70 entries or less. The Region may request its use with the approval of the Executive Steward. The Executive Steward will approve the number of entries allowed at the event.

2. SUPPLEMENTAL REGULATIONS

The Chief Steward with the approval of the host Region's representative may make changes to the event Supplemental Regulations prior to and during the event for reasons of errors, omissions, safety or forces beyond their control.

3. REQUIRED STEWARDS

- A. The minimum stewards required for the event are the Chief Steward and the Assistant Chief Steward Clerk of the Course (COC). The duties of the Chief Steward shall include the role traditionally assigned to the Assistant Chief Steward – Safety. The Chief Steward and the COC may delegate some of their authorities to other Stewards or Race Officials in attendance.
- B. The Executive Steward shall appoint the Chief Steward and the COC at the time the Small Event Request is made.
- C. If a protest or RFA is not finalized at the event, the Executive Steward shall appoint a Stewards of the Meeting (SOM) to hear and determine the outcome of the protest or RFA.

4. STEWARDS

A. Powers of the Chief Steward

1. Unless specifically altered in this section, the Chief Steward prior to and during the event, shall have all of the powers and responsibilities assigned to the Stewards of the Meeting in GCR Section 5.12.1, as well as Section 7, and Section 8.
2. In certain circumstances it may be necessary to defer a protest or RFA of an incident to the SOM. The Chief Steward shall inform all parties involved that the action will be processed by the SOM. The Chief Steward or his designee shall collect and forward all related information regarding the actions to the SOM. The SOM will make every effort possible to ensure the action will be processed in a timely manner.
3. The Chief Steward shall have all of the powers and responsibilities assigned to the Chief Steward in GCR Section 5.12.3, as well as Section 7, and Section 8.
4. The Chief Steward shall have all of the responsibilities assigned to the Assistant Chief Steward – Safety in GCR Section 5.12.4. The Chief Steward may delegate some of these responsibilities to other Stewards or Race Officials.

B. Assistant Chief Steward – Clerk of the Course (COC)

1. The COC is the Lead Operations Steward and primarily controls all on-track sessions and any other activities where circuit safety and functionality may be involved or impaired. These duties are performed in accordance with the GCR, supplemental regulations and schedule for the event.
2. The COC works under the authority of the Chief Steward. The COC, with the approval of the Chief Steward, may delegate responsibilities to other Stewards and Race Officials at any time as needed.



**20-40% MORE
STOPPING
POWER FEELS
DIFFERENT.**



Our racing department includes a PhD in the art of racing with 30 years of experience to create legendary stopping power.



Hawk Performance has the most complete line of premium friction products that stop you faster and last longer since 1995.

race proven. street legal.

**BETTER.
LEGENDARY.**



That's what Race Proven, Street Legal technology is all about. High performance brake products for your track car, daily driver, 4x4, truck and SUV. Turns out, 30 years of channeling our obsession with performance pays off.

APPENDIX P. RACING ROOM & PASSING GUIDELINES

Revised January, 2022

The Club Road Racing Program sincerely thanks Randy Pobst and Terry Earwood for developing these guidelines defining racing room and passing etiquette. Randy Pobst is a SCCA Hall of Fame member, a National Road Racing and Solo Champion, professional driver champion, and a very experienced driver's coach. Terry Earwood is a legendary Skip Barber driver instructor, professional driver champion, professional driver's coach, and is the current Driver Orientation Manager for the Trans Am Series.

The guidelines were created by Randy and Terry based on decades of racing experience and driver coaching. The guidelines represent what the Club Road Racing Program's intent is for General Competition Rules Section 6.11., Rules of the Road.

1. RACING ROOM & PASSING GUIDELINES

Safe, successful passing is based on what drivers can see. An overtaking car bears the largest percentage of responsibility for passing safely.

2. PERIPHERAL VISION

The overtaking car (the car attempting a pass) must get into the peripheral vision of the lead car (the car being passed) in the brake zone before the lead car turns for the corner. Once the lead car turns for the corner, it can no longer see the trailing car, because the lead car's mirrors now point outside, and the lead car is looking toward the apex.

Figure 1

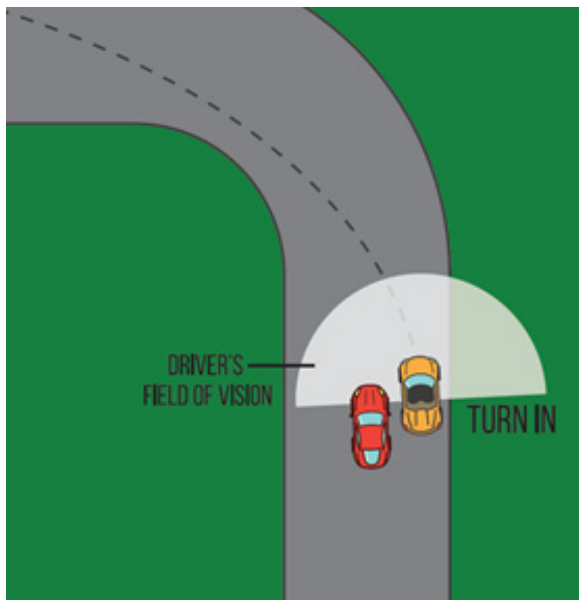


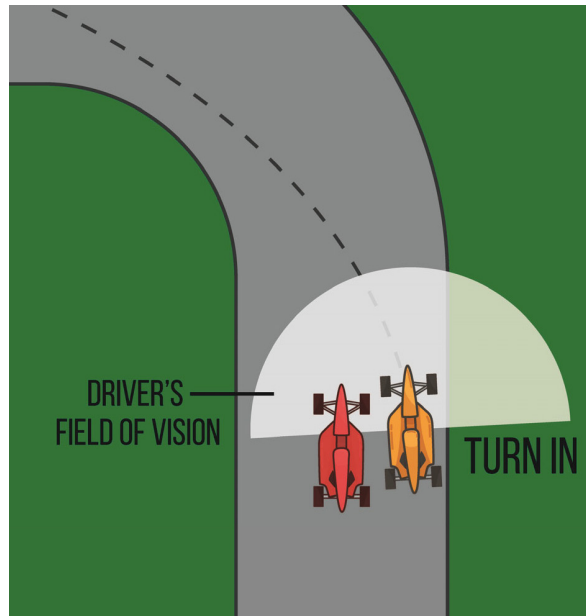
Figure 1 shows that the overtaking car has gotten up to the A pillar and into the peripheral view of the lead car before turn in. The overtaking car now has taken the line away and earned the right to racing room on the inside.

To earn the corner, the overtaking car must have its front end up to at least the A pillar post, or windshield, with the car under control, *before* the lead car turns into the corner. The goal is for the overtaking car to present itself, to arrive in the peripheral vision of the lead car, *before* it turns in.

Open Wheel and Sports Racer Overlap

An overtaking open-wheel car or sports racer should have its leading edge of the front tire up to at least the lead car's trailing edge of the front tire (within leading car peripheral vision) before the lead car begins its turn in. (Figure 2). The bodywork configuration of many new formula and sports racer prototypes almost encapsulate the driver from view by other drivers. That is why it is important to get the overtaking car that far up into the lead car's peripheral vision.

Figure 2



3. THE BLIND SPOT

Figure 3

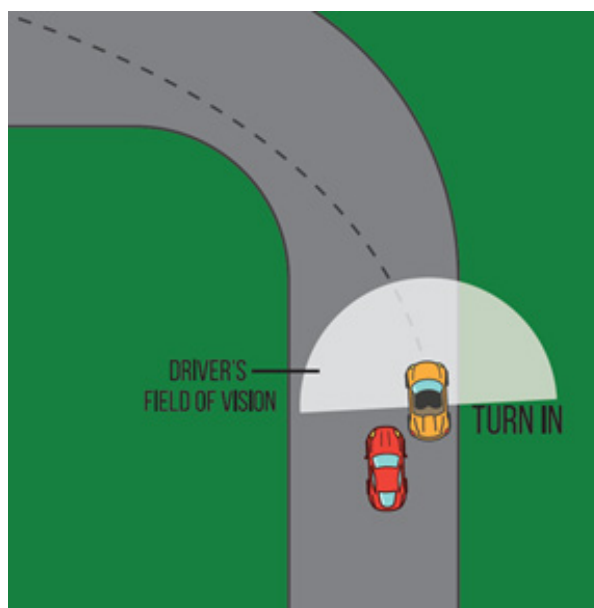


Figure 3 shows at the lead car's turn in point the overtaking car has yet to get even with the A pillar and into

the peripheral vision of the lead car. The overtaking car is in a blind spot. Do not pass unless the lead car is much slower and gives racing room.

4. RACING ROOM

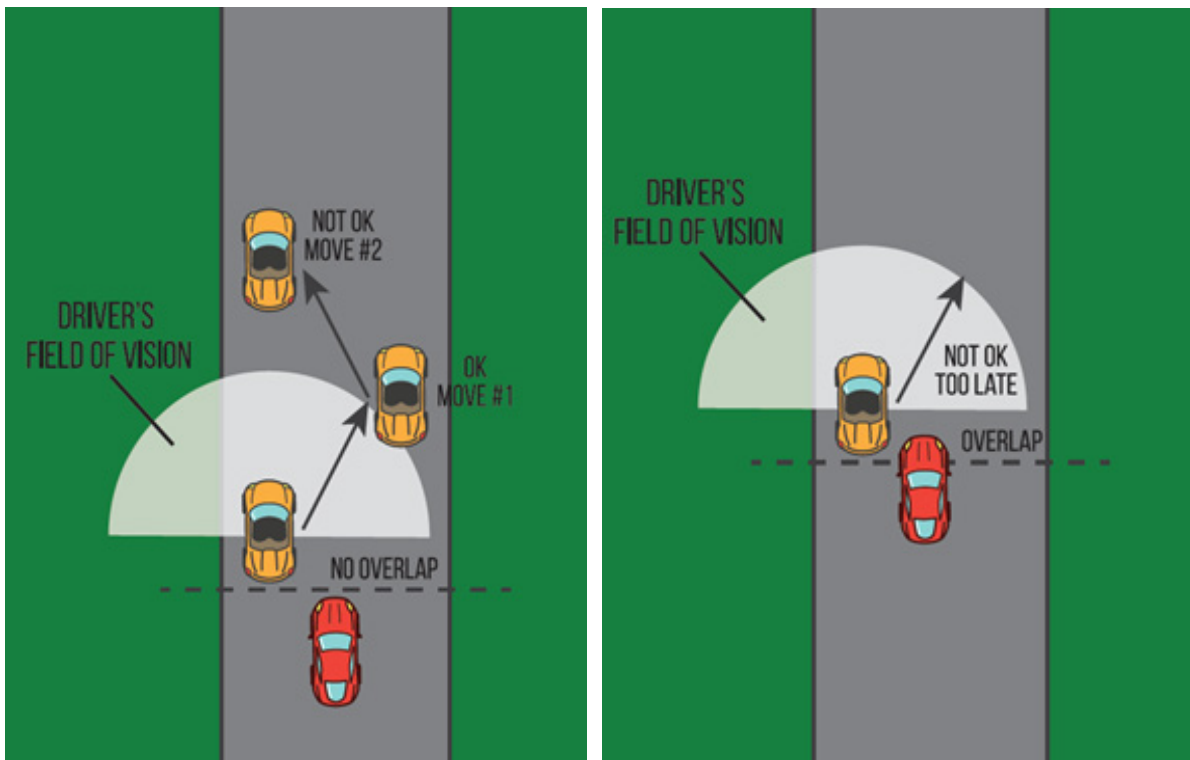
Should the lead car decide to 'go with him', side-by-side, then both cars must allow each other *racing room*, at least a car width plus six inches or so, to the edges of the racing surface. In both cases, the trailing car must be in the lead car's peripheral vision to safely hold position. If not in vision, then the trailing car must back off and follow, because the lead car cannot see it.

The biggest mistake, and a common cause of contact, is the overtaking car taking a shortcut to the apex, from that blind spot (Turn One at Road Atlanta is classic). Pull parallel to the lead car, and as close as safely possible so that he KNOWS you are there. Sometimes, the lead car may turn in early; therefore, the overtaking car must be under enough control to avoid contact.

5. PASSING ON THE STRAIGHTS

On straights, the lead car is allowed "one safe move". It can choose a side, but cannot move back, and cannot move over in reaction to an overtaking car if late enough to invite contact. It must leave a car's width (plus 6 inches) of racing room if the overtaking car has already committed in that direction and has achieved an overlap next to the leader. No weaving to break the draft or to block; that is more than one move. On straights, as opposed to corner entry, it is possible for the lead car to look into its mirrors and see the overtaking car, so if the overtaking car gets even a small overlap next to the lead car, the lead car must give the overtaking car room to race, and can no longer move across the track.

Figure 4

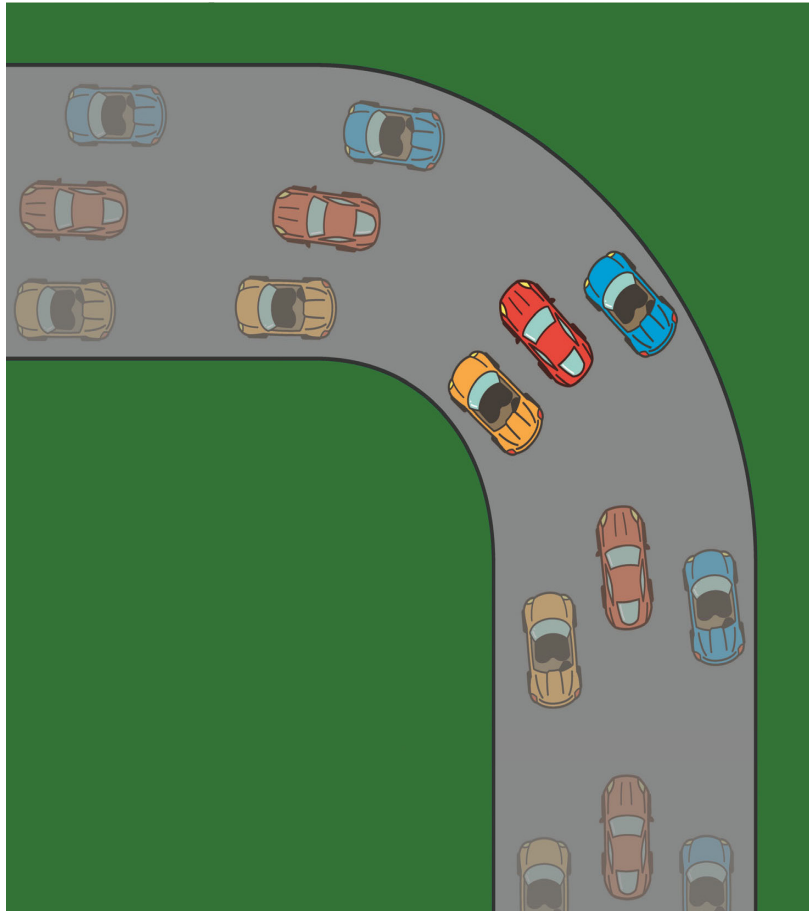


When being passed, hold your line. This means be predictable, and do not change your line to pull out of the way. 'Hold your line' does not mean take the line for the apex and turn in front when a much faster car is approaching. Be aware of faster traffic and leave a lane of racing room for them.

6. OVERLAP ON STRAIGHTS AT TURN IN

If there is continuous overlap (Figure 5) next to the lead car when the turn in point is reached, the lead car must give the trailing car room to race. The lead car can no longer move completely down to the apex. It is not ok to cut across to the apex and likely into the trailing car's nose. The car was there all the way down the straight and it is not going to suddenly disappear. There now is shared responsibility to avoid contact between the cars.

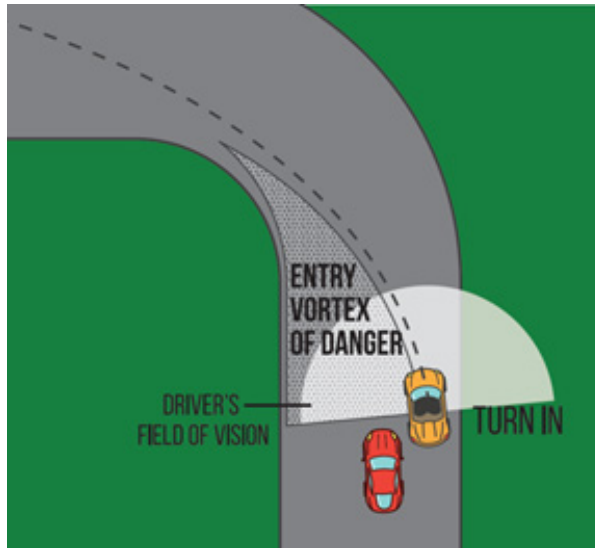
Figure 5



7. THE VORTEX OF DANGER

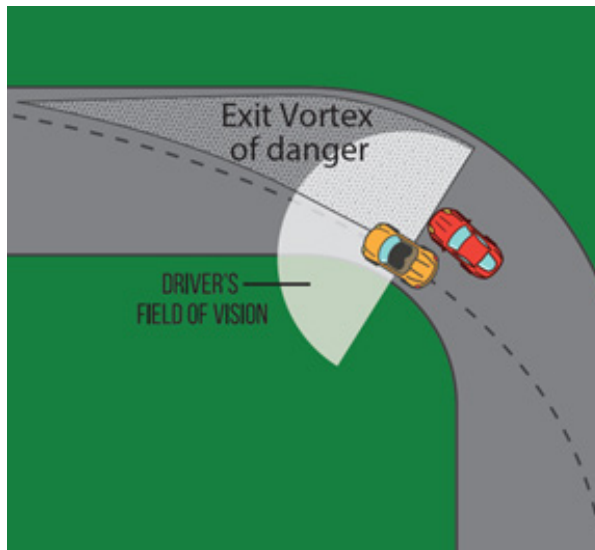
The Entry Vortex of Danger (Figure 6) is a triangle inscribed by the turn-in point of the lead car, the apex, and the inside edge of the road. Trailing car, do not take a short cut to the apex. If you do, chances are the lead car does not see you. When overtaking, keep out of the Vortex of Danger. It is too late to pass. The hole you see is closing rapidly, you are in a blind spot, there will likely be contact, and it will be your fault.

Figure 6



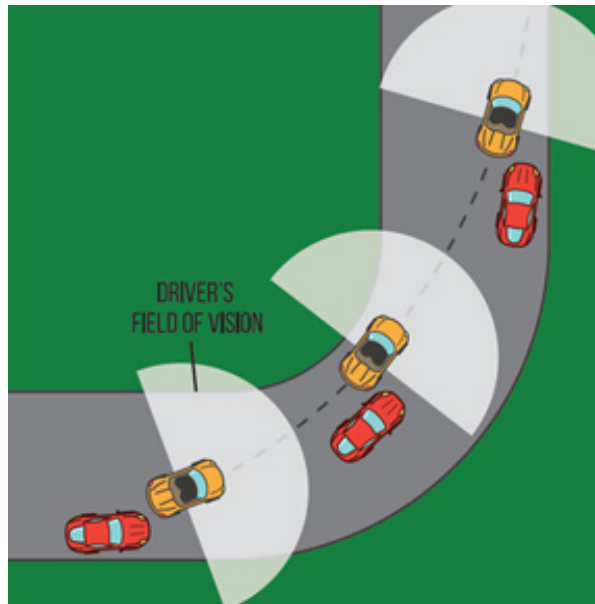
The Exit Vortex of Danger (Figure 7) is a triangle inscribed by the apex, the track-out point of the lead car, and the outside edge of the road. When attempting a pass on the outside, be aware of the Exit Vortex of Danger, and back out of it if not in the lead car's vision. It is too late to safely pass. The hole you see on the outside is closing rapidly, you are in a blind spot, there will likely be contact, and it will be your fault.

Figure 7



8. THE OUTSIDE PASS

Figure 8



On this outside pass attempt (Figure 8), the overtaking outside car never presents itself into the vision of the lead car and cannot expect it to make room for a car it cannot see at the exit of the turn. So, the outside trailing car must back off to leave racing room for the inside lead car that cannot see it and avoid the Exit Vortex of Danger. In this situation, if the outside car makes contact or runs off the road, it is most likely their fault.

Turn 5 at Road America is a prime example of where a lead car may protect his line by not using all the track on the right. The overtaking car, in this example, needs to clearly 'present themselves' in the braking zone before turn in, because the lead car is looking into the corner, not at his right mirror, and in all probability will not leave racing room at the exit. Outside passing works well when both drivers have excellent spatial awareness but is a very low percentage move in most cases.

Safe, successful passing depends on what a driver can see. Do not hit what you can see!

Index**A**

Aborted Start 58
 Accumulator 77
 ACCUS 107
 Accusump 77
 Advertising 77
 Affidavit 119
 Alcoholic Beverages 23
 Ambulances 44
 Appeal 32, 35, 67, 69, 70, 71
 Arm Restraints 73, 78
 ASN 107
 Assistant Chief Stewards 22
 Assistant Chief Steward–Safety 42
 Awards 32

B

Bad Faith Appeals 71
 Balaclavas 82
 Ballast 77
 Batteries 77
 Board of Directors 34
 BoD 34
 Bond 68, 69
 Brakes 73, 90, 105
 Briefing 45

C

Camera 78
 Canadian Residents 30
 Carburetors 78, 85
 CCC 28, 51
 Chairman SOM 63
 Championship Ties 33
 Checker 61
 Checkered Flag 61
 Chief Course Marshal 42
 Chief Observer 42, 51
 Chief of Communications 42
 Chief of Emergency Services 42, 43
 Chief of Flagging 42, 45
 Chief of Grid 42
 Chief of Pit 42
 Chief of Race Administration 42
 Chief of Sound Control 42
 Chief of Timing and Scoring 42, 49
 Chief Registrar 42, 46
 Chief Starter 42, 47
 Chief Steward 22, 23, 30, 31, 32, 42, 43, 45, 47,
 48, 49, 51, 52, 53, 54, 55, 56, 57, 58, 59,
 60, 62, 63, 64, 67, 68, 69, 70, 71, 75, 76,
 81, 84, 111, 112

Chief Steward's Action 67
 Chief Technical Inspector 42, 47, 49, 51, 76
 Class Compliance Chief 51
 Classic Sports Racing Group 31
 Class Letters 87
 Club Racing Board 22, 25, 67, 107, 109, 110
 Combining Classes 31, 35
 Communications 42, 45, 46
 Compliance 28, 51, 112
 Compliance Review 67
 Concussion 24
 Conference Championships 28, 32
 Conference Events 28, 29, 33
 Conferences 108
 Conflicts of Interest 22
 Counter-Race 62
 Counter-Race Direction 45, 62
 Course Marshal 42
 Court of Appeals 22, 24, 32, 69, 70, 71, 112, 119
 CRB 22, 25, 67, 75, 107
 Cryogenic Treatment 78
 CSA 67, 84

D

Damage 48
 Data Boxes 51
 Data Collection 78
 Data Technicians 51
 Dead Heat 33
 Dead Heats 61
 Defending 34
 Disabled Car 58, 60
 Dispatching 45
 Disqualification 63, 64
 Divisional Administrators 24
 Division Championships 32, 34
 Division of Record 108
 DNS 116
 DQ 116
 Driver 108
 Driver Eligibility 28
 Driver Observer 51
 Drivers' School 116, 117, 118, 119, 123
 Drivers' Schools 30, 109, 110
 Duties 43

E

Emergency Plan 45
 Emergency Services 42, 43, 53, 54
 Endurance Races 30
 Entrant 22, 108
 Entry List 111
 Escrow 69
 Event Format 29

Evidence 69
 Execution of the Event 53
 Executive Steward 57, 58, 107, 109, 110, 123
 Executive Stewards 24
 Exhaust 82, 87

F

Family Member 22
 Fee 112
 Festival 28
 FIA 73, 76, 81, 82, 86, 91, 92, 93, 100, 101, 104,
 105, 107, 118
 Fine 63, 64
 Fines 70
 Fire Extinguisher 83, 85
 Fire Fighters 44
 Fire System 73, 82, 90
 Fire Truck 44
 Firewall 83, 98
 Flag 123, 124
 Flagging 42, 43, 45, 46
 Flagging and Communications 45, 46, 123
 Flags 55
 Formulas 148
 Fuel 73, 78, 83, 84, 85, 86, 87, 100, 104
 Fuel Cell 73, 83, 85, 86, 87, 100
 Fueling 56, 57
 Fuel Sample Acquisition 85
 Full Competition 115, 116, 117, 118, 119
 Full Competition License 28, 31, 35, 59

G

Gloves 82
 Goggles 82
 Graphics 77
 Grid 42, 43, 57, 58, 59

H

Halon 83
 Hand Signals 62
 Hardtops 78
 Harness 78, 97, 98, 102, 104
 Head of Road Racing 28
 Head Rest 92, 100
 Helmet 81, 82, 89, 92, 95, 96, 102, 103, 104
 helmets 81, 82
 Historic 30, 31, 111
 Homologation 76, 77, 81, 89, 91, 104
 Hospital 45

I

Identification 45, 46
 Identity Numbers 76
 Impound 48

inside net 89
 Insurance 32, 112
 Invited Runoffs Classes 35

J

Judges 42, 51

L

Lap Record 61
 Late Starters 59
 Legends Cars 73, 82, 93
 Liability 19, 20
 License 115, 116, 117, 118, 119
 Licenses 38, 43
 Lights 73, 90
 Live Timing 49
 Logbook 47, 48, 49, 75, 76, 77, 92, 95, 100, 103,
 104
 Loss of Bodywork 90
 Loss of Consciousness 24

M

Majors 28, 29, 30, 31, 32, 33, 42, 43, 48, 52, 53,
 109, 110, 111, 112
 Majors Requirements 29
 Master Switch 73, 90
 Measurement Standards 148
 Media 51
 Medical 44, 45, 115, 117, 119
 Medical Evaluation 115
 Medical Fitness 23, 24
 Member Services 24
 Membership 117
 Microphone 46, 47
 Minimum Impound Inspection 48
 Minimum Track Time 29
 Minimum Weight 77, 87, 93, 103, 104
 Minor 22, 115, 116
 Mirrors 91

N

NASA 115, 118
 National Champion 33, 34, 35
 National Office 29, 30, 31, 32, 63, 69, 70, 71, 109,
 110, 112, 115, 116, 118, 119, 121, 122
 Neurologist 24
 Non-Speed Event 107
 Novice 121
 Novice Permit 115, 116, 117, 118, 119
 Numbers 76, 87

O

Observer 42, 51, 52, 53
 Off-Course Excursions 62
 Oil 73, 77, 85, 87, 91
 Orbits 30
 Oval 123, 124

P

Pace Car 58, 59
 Pace Lap 57, 58, 59, 60
 Paddock 56
 Parent 22
 Participant 22, 23, 24, 108
 Participation Requirements 33
 Passengers 62
 Penalties 63, 64
 Pets 22
 Pit 42, 43, 56
 Pit Lane 56
 Points 30, 71
 Points Awarded 33
 Point Standings 33
 Powers of the Chief Steward 53
 Practice Days 31
 Press Officer 51
 Prize Money 32
 Probation 52, 63, 64, 119
 protest 67, 68, 69, 70, 71
 Protest 32, 35, 67, 68, 69
 Protests 67, 68
 Provisional Results 50
 Public Relations 29
 Pulling Out 124

Q

Qualifying 57

R

Race Administration 42
 Race Chairman 42, 43, 45, 54
 Race Control 123
 Race Data Technicians 51
 Race Director 22, 23, 28, 31, 32, 42, 43, 45, 47, 48, 49,
 51, 52, 53, 54, 55, 56, 57, 58, 59, 60, 62, 63, 64, 67,
 68, 69, 70, 111, 112
 Race Schedule 109
 Racing Room 61
 Rain 60
 Refusal Of Entry 35
 Refuse Awards 32
 Refusing 69
 Regional 123
 Regional Classes 73, 74, 75

Regional Events 42
 Regional Executives 109
 Region of Record 108, 111
 Registrar 42, 43, 46
 Registration 46
 Re-Inspection 48
 Reporting 112
 Request for Action 51, 53, 54, 67
 Required Stewards 42
 Restart 59, 60
 Restraint System 78, 82
 Restraint Systems 31
 Restrictor Size 87
 Results 50, 111, 112
 Review Committee 24
 RFA 51, 54, 67, 70, 84
 Risk 19, 20
 Road Racing Department 30
 Roll Cage 76, 86, 89, 91, 93, 95, 99, 100, 102, 103,
 104
 Rolling Start 58
 Rotary Molded Cell 86
 Runoffs 28, 32, 33, 34, 35, 42, 48, 71, 73, 75
 Runoffs-Eligible 75

S

SAE 92, 100, 103
 Safety Car 55, 59, 60
 Safety Equipment 81
 Safety Steward 23, 24
 Sanction 70, 107, 109, 110, 112
 Scales 49, 111
 Scattershields 92
 SCCA Pro License 31
 Schedule 28, 29
 Scheduling Representative 109
 Scrutineer 81
 Seat Belts 78, 82
 Seats 89, 92, 93, 97, 98, 101, 102, 103, 104
 Series Administrator 28, 42, 43, 111
 Series Chief Technical Inspector 28
 Series Public Relations Representative 29
 Series Timing Administrator 28, 29
 Session 108
 SFI 81, 82, 86, 92, 93, 100, 104
 Shoes 82
 Shortened Races 61
 Snell 81, 82
 Socks 82
 SOM 22, 42, 43, 46, 49, 51, 52, 53, 54, 63, 64, 67,
 68, 69, 70, 71, 83, 84, 109, 111, 118, 53
 Sound Control 42, 43, 46
 Sound Level 46
 spectator 22
 Speed Event 107
 Split Starts 58, 59

Start 45
Starter 42, 43, 47
Steering Wheel Lock 92
Steering Wheels 92
Steward 115, 117, 118
Stewards of the Meeting 22, 42, 51, 52
Students 30
Sunroofs 78
Super Production 73, 75
Super Tour 42
Super Tour Championship 28, 33
Super Tour Events 28, 29
Supplemental Regulations 22, 28, 30, 31, 32, 33, 43,
46, 47, 48, 49, 51, 52, 53, 54, 55, 56, 57, 58, 62,
67, 68, 70, 107, 108, 109, 110, 111
Suspension 45
Suspension of Racing 45

T

Targa Tops 78
Technical Inspector 28, 42, 43, 47, 49, 51, 76
Technical Services Department 69
Technical Staff 28
Tech Sticker 48
Timing 28, 29
Timing and Scoring 42, 43, 46, 49, 50, 51, 123
Tires 73, 92
Towing 45
Towing Eye 93
Traction Control 77
Trophies 32

U

Unmanned Aircraft Systems 22
Unsportsmanlike 22
U.S. Majors 122
U.S. Majors Tour 28, 29, 31, 32, 33, 42, 43, 48, 52, 53,
109, 110, 111, 112
U.S. Majors Tour Staff 28

V

Vehicle Logbook 47, 48, 49
Victory Laps 62
Vintage 30, 31, 111, 115, 116, 117, 118, 119, 121
Vintage License 115, 116, 117, 119

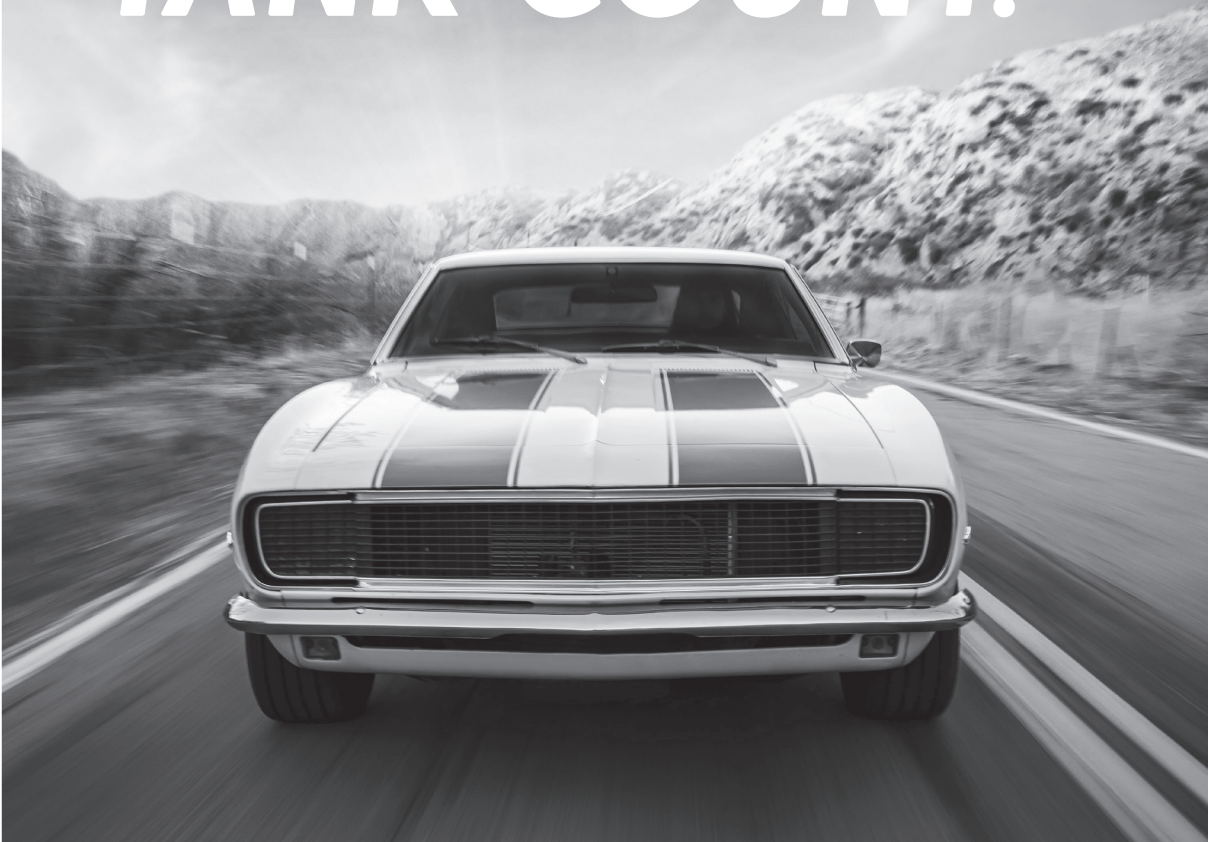
W

Waiver 20, 22
Waivers 32
Weather 47
Website 28, 32
Weight 73, 76, 77, 82, 83, 87, 93, 100, 103, 104, 111,
149

Wheel 77, 91, 92, 95, 98, 101, 102, 103
Window Net 93
Windows 93, 94, 98
Window Safety Net 31
Window Safety Nets 93
Windshields 93, 94
Wings 149
Winner 61
Wrecker 44

UltratechTM
Quality Fuels

**MAKE EVERY
TANK COUNT.**



OFFICIAL FUEL **SCCA**
Sports Car Club of America.



Ultratech fuel. Proven to make your engine run cleaner, longer and more efficiently. Only at Sunoco.

Ultratech Quality FuelsTM is a trademark of Sunmarks, LLC. Top TierTM is a trademark of General Motors Company. ©2022 Sunmarks, LLC. All Rights Reserved.

9.1.1. FORMULA CATEGORY

These specifications are part of the SCCA General Competition Rules (GCR) and all automobiles shall conform with GCR Section 9.

The Formula Category is intended to provide the membership and interested manufacturers with the opportunity to compete in purpose built, highly modified open wheel single seat cars. The Club may alter or adjust specifications and require, permit, or restrict certain specific components to equate competitive potential.

In an effort to control shock/damper technology and cost to a level reasonable for Road Racing, any fluid dampers are allowed with the following restrictions:

1. Maximum of 4 dampers/shock absorbers per vehicle.
2. Dampers must be independent from each other with no interconnectivity. However, data acquisition is permissible, as long as it serves no other purpose.
3. Dampers must be manually adjustable only.
4. Mechatronic valves, G valves, hybrid inerters, inerters and mass dampers are prohibited.
5. Electro/Magnetic shock fluid is prohibited.

A. FORMULA ATLANTIC PREPARATION RULES

Formula Atlantic is a restricted class. Therefore, any allowable modifications, changes, or additions are as stated herein. There are no exceptions.

These preparation rules provide the basic specifications for cars eligible to compete in the Formula Atlantic class. Table 1 lists the approved engines and associated specifications for purpose-built and ex-pro Formula Atlantic cars. Table 2 (Spec Line Cars) lists other approved chassis and engine combinations with any exceptions to the basic specifications for the class.

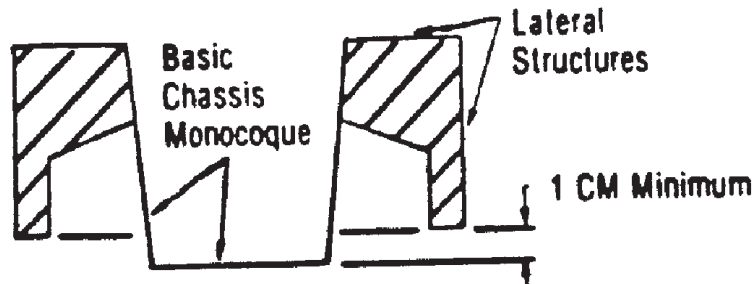
1. General

- a. A single seat, four open wheeled racing car with firewall, floor, and safety equipment conforming to GCR Section 9. Homologation may be required. Refer to section 9.2.2. for details.
- b. Cars shall be equipped with on-board self starter controlled by the driver in a normal driving position.
- c. The driver's seat shall be capable of being entered without the removal or manipulation of any part or panel except for a removable steering wheel and/or cockpit padding.
- d. Cars shall be equipped with a dual braking system operated by a single control. In case of failure or leak at any point in the system, effective braking power shall be maintained on at least two wheels.
- e. Superchargers or turbochargers are not permitted unless specifically authorized by a spec line in Table 2.
- f. Power shall not be applied to more than two (2) wheels.
- g. Bodywork:
 1. No part of the bodywork and aerodynamic devices shall exceed in height a horizontal plane 90cm (35.4") above the ground. The safety roll bar/roll cage and the engine air box are not included in this height restriction. Measurements are to be made as raced with driver on-board.
 2. The overall maximum width of the bodywork behind the front wheels shall not exceed 130cm (51.18 inches). The maximum width of any aerodynamic device situated behind the rear wheels, including the rear wing, shall not exceed 110cm (43.307 inches).
 3. The bodywork ahead of the front wheels may be extended to an overall maximum width of 150cm (59.055 inches) provided it does not extend beyond the outside of the front tires. Flexible or movable aerodynamic skirts are prohibited. No part of the body or suspended part of the car shall extend more than 1cm (0.394 inches) below the horizontal plane forming the bottom of the tub or chassis floor (both static or in motion).
 4. Any part of the bodywork ahead of the front wheels exceeding an overall width of 110cm (43.307 inches) shall not extend above the height of the front wheel rims.
 5. Any specific part of the car which has an aerodynamic influence on the stability of the vehicle shall be mounted on the entirely sprung part of the car and shall be firmly fixed while the car is in motion. Aerodynamic devices, including wings and end plates, shall not extend to the rear more than one meter (39.4 inches) from the centerline of the rear wheel hubs.
 6. Neither the safety roll bar nor any of the units associated with the functioning of the engine or transmission shall have an aerodynamic effect by creating a vertical thrust.

7. The leading edge of an airfoil fixed to the front of the car shall not be sharp. Minimum radius -- 0.5cm (0.2 inches).
8. Cars registered with SCCA January 1, 1976, and after, shall be fitted with deformable structures per FIA regulations for Formula II as follows: Deformable Structure: The entire fuel tank area of the car licked by the airstream shall incorporate a crushable structure conforming to the following specifications. The term "licked by the airstream" is considered to define the complete external area of the body/monocoque construction irrespective of such added items as water radiators, inlet ducts, windscreens, etc.
 - A. The crushable structure shall be a sandwich construction based on a fire-resistant core of minimum crushing strength of twenty-five (25) lbs./ square inch. Water pipes are permitted to pass through this core. The sandwich construction shall include two (2) sheets of 1.5mm (.060") thickness, one of which shall be aluminum sheet having a tensile strength of fourteen (14) tons/ square inch and a minimum elongation of five (5) percent.
 - B. The use of a magnesium sheet will be authorized only if its thickness exceeds 3mm (.120").
 - C. The minimum thickness of the sandwich construction shall be 10mm (.3937"). The fore and aft fuel tank area, however, shall provide for a crushable structure of at least 100mm (3.937") thickness at such crushable structure's thickest point. The position of this widest point to be at the manufacturer's discretion over a length of at least 35cm (13.78") after which it may be gradually reduced to 10mm (.3937").
9. All cars with venturi section side pods (e.g. Ralt RT-4) shall comply to the following rule. Aerodynamic devices shall comply with the rules relating to bodywork. Any part having an aerodynamic influence and/or any part of the bodywork and attachments to the bodywork shall be rigidly secured to the entirely sprung part of the car (chassis/monocoque), shall have no degree of freedom in relation to the entirely sprung part of the car (chassis/monocoque), and shall remain immobile in relation to the chassis/monocoque at all times. At any transverse section through the car from the rear edge of the front wheels to the forward edge of the rear wheels, no part of the car except the basic chassis/ monocoque structure shall be below a horizontal line situated 1cm (0.4") above the bottom of the chassis/ monocoque. This measurement will be taken without regard to bolt heads, rivets, etc.

Movable or hinged skirts are prohibited. Flexible sidepod skirts are allowed on cars which have their primary load bearing structure (tub) constructed of ferrous or non-ferrous alloys. No part of the bodywork or suspended part of the car between the front and rear wheels shall extend more than one (1) cm (.3937") below the horizontal panel forming the bottom of the chassis. Within the above restrictions, only wearable material (fiberglass, Kevlar, carbon fiber, high density polypropylene, Teflon, Lexan, or wood) may be attached to the side panels as a rubbing strip. Ceramics, plexiglass, plastic, and other materials which shatter or break-up causing hazardous track condition are prohibited.

The intention of this Section (9.1.1.A.1.g.10.) is to control ground effects on all cars by prohibiting "sealing" or bridging the gap between the bodywork and the road surface, and to do so in a uniform and consistent manner. Any means adopted to circumvent this intention shall automatically be regarded as a breach of these regulations.



- h. The minimum wheel diameter is thirteen (13) inches. Front wheel width: ten (10) inches; rear wheel width: minimum fourteen (14) inches, maximum fifteen (15) inches.
- i. Exhaust outlets shall be positioned not more than twenty-four (24) inches above the ground and shall not extend more than six (6) inches beyond the overall length of the car. In no case can the exhaust terminate more than 45.4" behind the centerline of the rear axle.
- j. All FA cars competing in Majors Races and the Runoffs must have the AIM part #X47KPFSOLO2R0 data

9.1.1. Formula Atlantic (FA) Specifications

box mount installed on their vehicle to provide the necessary mounting of the AIM Solo 2 data box. The mounting surface is to be approximately oriented either horizontally or vertically either parallel or perpendicular to the longitudinal axis of the car and must be accessible from the exterior of the car with the driver on board -- it should have a view of the sky, and not be located under carbon fiber or metallic bodywork. Sufficient space should be left between the mounting plate and the surface to which it is attached to permit the use of zip ties/tie straps to restrain the data box to the mounting plate. The purpose of this requirement is to allow the random placement of data boxes on cars in the pre-grid by SCCA assigned personal and the collection of the box when the car exits the race track. Contact AIM and their distributors for direct purchase.

2. Engines

- a. Engines shall be derived from automobiles and prepared for competition in accordance with SCCA GT preparation rules unless otherwise specified in the Tables below. OEM blocks and heads must be used unless otherwise noted in the Tables below.

Note: If intake restrictors are specified, the restrictors shall be round orifices (unless otherwise specified) and located within four (4) inches of the throttle butterfly. Restrictors shall be a minimum 0.060" thick and of the specified diameter. SIR location is unrestricted so long as all SIR criteria are met.

- b. The following modifications are permitted unless restricted in the sections or tables that follow.
 1. Any carburetor(s), fuel injection, or intake manifold(s), are permitted. Fuel injected engines shall use the specified intake restriction. Where Weber or Weber-type carburetors are specified and used, they shall retain their standard configuration of fuel distribution. This is to prohibit annular discharge carburetors.
 2. The use of any exhaust manifold(s).
 3. The use of any oil sump.
 4. The use of any oil pump(s).
 5. The use of a dry sump lubrication system.
 6. The bore, crankshaft, stroke, and flywheel are unrestricted, provided the appropriate specified displacement limit is not exceeded.
 7. Main bearing caps may be reinforced or substituted.
 8. The make and location of the ignition coil and condenser may be changed.
 9. Any distributor and/or transistor ignition may be used, provided its installation does not require any modification of the engine.
 10. Any make or type of spark plug may be used.
 11. The use of any starter is permitted provided it can be fitted without any modification to the engine.
 12. Substitution of the clutch and flywheel is allowed provided there is no increase in clutch diameter. The use of dowel pins is permitted.
 13. Any pistons and piston pins may be used.
 14. Any camshaft(s) may be used.
 15. Cam followers may be altered or substituted.
 16. It is permitted to lighten, balance, or modify in shape by tooling the standard or optional components of the engine, provided it is always possible to identify them positively as such. It is not permitted to add any material to the components unless specifically authorized.
 17. The use of any alternate engine components considered replacement parts such as seals, bearings, valve guides, nuts, bolts, studs, washers, and gaskets is allowed, provided they are of the same type and dimension. Bushings may be added where none are fitted as standard, provided they are concentric and that the centerline of the bushed part is not changed. Water and oil passages may be restricted or plugged. The substitution of valve springs, valve spring retainers, and keepers is permitted. Any pushrods may be used.
 18. Pulleys, including camshaft drive pulleys, may be altered or replaced with others of unrestricted origin. The use of any crankshaft vibration dampener is permitted.
 19. The compression ratio may be increased by machining, using any head gasket(s), or eliminating of head gasket(s), unless otherwise noted in the tables below.
 20. The installation of any engine vent or breather is permitted.
 21. Generator or alternator is unrestricted.
 22. The use of any rocker arms or rocker arm supports.

23. Use of any connecting rod of the same basic material.
24. Valves are unrestricted in both size and material, provided the valve centerline is not altered.
25. Exhaust emission control air pumps, and associated lines and nozzles cannot be modified in any way except they may be completely removed. When these nozzles are removed from a cylinder head, the holes shall be completely plugged.
26. The use of any fuel pump(s) is permitted.
27. Valve or cam covers may be substituted.
28. Any external surface of the engine may be plated, painted, or anodized.
29. Engines produced with a cam carrier as a separate and distinct piece from the cylinder head or engine block may replace that cam carrier with a cam carrier of other manufacture, provided the replacement cam carrier affords no additional function other than the original cam carrier and provided the type and number of camshaft bearings remains the same.
30. The replacement of any jack shaft or idler shaft with another of the same basic material as the standard shaft is permitted, provided it performs no additional function over the original shaft.

c. 2.0 liter Honda K20Z3

1. Block must be OEM Honda Civic K20Z3 2.0 liter PN 11000-RRB-810, maximum bore 86.070mm (3.3886").
2. Crankshaft must be OEM Honda Civic PN 13310-PRB-A00, maximum stroke 86.1mm (3.390"), unmodified main and rod journals, minimum weight 37.5 lbs.
3. Connecting rods must be OEM Honda Civic PN 13320-PRBA01, maximum center-to-center rod length 138.95mm (5.470"), minimum weight with fasteners 580g.
4. Maximum compression ratio 12.7:1 +/- 0.2.
5. Pistons, rings, pins, and circlips must be HPD-supplied kit PN 13100-FC4Y-A000, piston minimum weight 325g, wrist pin minimum weight 101g.
6. Head must be OEM Honda Civic K20Z3 2.0 liter PN 12100-RBC-000, ports must be as cast beginning 1.00" into ports.
7. Valves must be OEM Honda Civic K20Z3 2.0 liter PN 14711-PRB-A01 with minimum stem diameter 5.445mm and maximum head diameter 35.15mm (intake), PN 14721-PRB-A00 with minimum stem diameter 5.420mm and maximum head diameter 30.15mm (exhaust).
8. Valve springs must be HPD-supplied kit PN 14700-FC4YA000.
9. Camshafts must be OEM Honda PN 14100-FC4Y-A000 (intake and exhaust set). Maximum intake valve lift measured at retainer PRI (front) 8.50mm, MID 13.50mm, SEC (rear) 9.50mm, maximum exhaust valve lift measured at retainer PRI (front) 8.00mm, MID 12.20mm, SEC (rear) 8.00mm. Maximum intake valve duration above 1mm measured at retainer PRI (front) 202 degrees, MID 262 degrees, SEC (rear) 210 degrees, maximum exhaust valve duration above 1mm measured at retainer PRI (front) 202 degrees, MID 250 degrees, SEC (rear) 202 degrees.
10. Intake manifold and throttle body assembly may be either the original, unmodified HPD parts or unmodified AT Power Direct-To-Head (DTH) 45mm individual throttle bodies, PN 102-104-00020.
11. Exhaust header must be used as delivered from HPD. Collector must be 4-into-1 design.

The CRB reserves the right to implement a requirement that engines be submitted for dyno testing and sealing at any time. If implemented, engine performance will be compared to known specimens. Engines will be denied a seal if they test above 102% of the standard power and torque curve and will be ineligible for competition until power is corrected and the engine is sealed. The participant will be responsible for all costs of dyno testing and delivery. This provision is included to dissuade the competitors from exploiting the rules and expending funds to maximize performance of a budget-minded engine option.

d. 2.0 liter Mazda MZR

1. Block must be OEM Mazda MZR 2.0 liter casting #LF95, maximum bore 3.455".
2. Crankshaft must be forged OEM Mazda 2 liter marked "fomoco" DBE8Z31E, maximum stroke 3.270", minimum rod journal diameter 1.830", minimum main journal diameter 2.026", minimum weight 31.5 lbs.
3. Connecting rods must be magnetic steel; maximum rod length 5.760", minimum weight with fasteners 530g.
4. Maximum compression ratio 13.1:1.

9.1.1. Formula Atlantic (FA) Specifications

5. Piston minimum weight 280g. Wrist pin minimum diameter .825", minimum weight 83g.
6. Head must be OEM Mazda 2.0 liter MZR, part #LF9G-10-090A, casting #6M8G, with minimum chamber volume 40.5cc; ports must be as cast beginning 1.2" from valve seat insert.
7. Valves must be steel; minimum stem diameter 5.45mm, maximum head diameter 1.402" (intake) and 1.21" (exhaust).
8. Camshafts must be Kent DTEC 80 or Mazda Speed PN 1410001I (intake) and PN 141001E (exhaust), maximum lift .478" (intake) and .446" (exhaust), maximum duration 260 degrees at 1mm lift (intake) and 256 degrees at 1mm lift (exhaust).
9. Intake manifold must be unmodified Elan DPO2-60-003 or Mazda Speed equivalent Elite USF2015AT, 1.882" maximum bore diameter at throttle plates.
10. Aluminum spacer must be used between intake manifold and cylinder head castings; minimum spacer length 2.200".
11. Exhaust header may be Pro Fab PN P97819 or Pro Fab PN 100002-01 and must use Pro Fab PN H0503 flange. Collector must be 4-into-1 design. Maximum primary pipe OD 1.75", maximum tail pipe OD 2.5".

The CRB reserves the right to implement a requirement that engines be submitted for dyno testing and sealing at any time. If implemented, engine performance will be compared to known specimens. Engines will be denied a seal if they test above 102% of the standard power and torque curve and will be ineligible for competition until power is corrected and the engine is sealed. The participant will be responsible for all costs of dyno testing and delivery. This provision is included to dissuade the competitors from exploiting the rules and expending funds to maximize performance of a budget-minded engine option.

- e. Engines that are required to be sealed are subject to full inspection by SCCA stewards and/or technical staff. The competitor will be responsible for all costs associated with reassembly and resealing of the engine.

3. Transmission

- a. For all types of transmissions, no more than five forward speeds and an operational reverse gear shall be used unless otherwise noted in Table 2 below.
- b. The use of an automatic gearbox is prohibited.
- c. All gear changes shall be initiated by the driver. Mechanical gear shifters, direct-acting electric solenoid shifters, air-shifters and similar devices are permitted. Electronically controlled differentials and devices that allow pre-selected gear changes are prohibited.
- d. Gearboxes with shafts that are transverse to the longitudinal axis of the chassis are not allowed. The only exceptions are the gearbox final drive (crownwheel) shaft axis and final drive shafts (half shafts) and the motorcycle gearbox permitted in Formula 1000 cars in Table 2 below. All change gears must be located in the case aft of the final drive.

Table 1						
FA Spec Line	Engine Series	Max. Displ. (cc)	Max. Valves / Cyl.	Notes	Req'd Restrictor	Min. Weight (lbs)
A.	Ford BD Series	1615	4	Any BD series iron or alloy cylinder block and alternate crankshaft permitted.	n/a	1250
B.	Honda B16	1615	4		n/a	1250
C.	Mazda MZR/ Ford Duratec	1615	4	2.0L engine destroked to 1615cc.	n/a	1250
D.	Toyota 4A-GE	1615	4		n/a	1250
<i>E.</i>	<i>Ford BD Series</i>	<i>1800</i>	<i>4</i>	<i>Any BD series iron or alloy cylinder block and alternate crankshaft permitted</i>	<i>n/a</i>	<i>1280</i>
<i>F.</i>	Toyota 4A-GE	1800	4		n/a	1280
<i>G.</i>	Honda K20Z3	2000	4	See section 2.c	n/a	1350
<i>H.</i>	Mazda MZR/ Ford Duratec	2000	4	See section 2.d	n/a	1300
<i>I.</i>	Mazda MZR/ Ford Duratec	2300	4	Maximum compression permitted 14.0:1	30mm SIR	1450
<i>J.</i>	Mazda MZR/ Ford Duratec	2500	4		29mm SIR	1475

Engine Notes

(Notes apply only to purpose-built and ex-pro Formula Atlantic cars and not to spec line cars in Table 2)

Note 1: Subtract 25 lbs for non-sequential transmission.

Note 2: Subtract 25 lbs for carbureted engine.

Note 3: Subtract 25 lbs for metallic chassis.

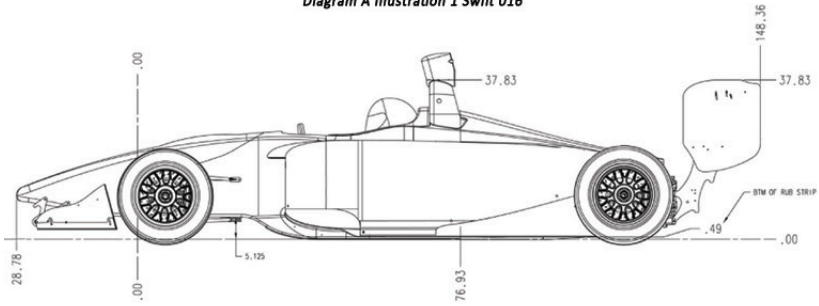
Table 2 (Spec Line Cars)

Car	Engine	Wheel Width (in) ± .060	Aero	Transmission	Weight	Notes
Formula 3	All FIA compliant engines years 1997 to 2017. Engines must be run per FIA spec. with 30mm required restrictor	(F) 9 Min. (R) 10 Min.	See notes	Up to 6 forward gears, limited slip differential	1215	Cars must run per FIA spec for year and model of chassis unless modified by this spec line. Competitors must carry and be able to present year-specific FIA rules to tech. upon request. Cars must meet all SCCA safety requirements including roll structure.
Formula 1000	Motorcycle-based 4-cycle up to 1000cc, maximum compression ratio 14.5:1; otherwise, current FA engine rules apply.	See notes	See notes	See notes	1025	Car must comply with December 2019 GCR Formula 1000 (FB) Preparation Rules, https://www.scca.com/downloads/48184-gcr-december-2019/download , except as modified by this spec line. The CRB may require the use of Flat Plate Intake Restrictors at any time.
Formula Lites Crawford FL15	Stock 2.4 Liter Honda K24Z7	(F) 13 x 9 (R) 13 x 10.5	See notes	Hewland FTR 500 6-speed sequential transmission with pneumatic paddle shift system	1325	Engine must be sealed in compliance with Formula Lites requirements. Car must comply with all Formula Lites technical regulations found here: https://www.scca.com/pages/technical-forms-and-downloads . No engine modifications except dry sump oil system, airbox, and HPG exhaust header. No engine machining allowed. GEMS ECU map must remain original and unmodified. The CRB may require a Flat Plate Intake Restrictor at any time.
FR Americas Ligier JS F3	Turbocharged 2.0 Liter Honda K20C1	See notes	See notes	See notes	See notes	Engine must be sealed in compliance with FR Americas or prior F3 Americas requirements. Car must comply with FR Americas rules. Competitors must have current copies of Formula Regional Americas Championship Sporting Regulations, Onroak Automotive Ligier JS F3 Information Manual, and HPD engine-related specifications and instructions in their possession and present them upon request.
Pro Formula Mazda	Mazda Renesis Rotary	Pro Mazda series wheels (F) 9 (R) 11 or (F) 10 (R) 14 Min. & 15 Max.	See FA rules	6-speed sequential transmission with open differential. Traction control is allowed.	1305	All current FA rules apply to areas not covered by this spec line. Apex seals unrestricted. Street port or bridge port allowed. Unmodified OEM lower intake manifold required, upper manifold unrestricted. Balance tube not permitted. Fuel injection only. 70mm Throttle Body. The maximum height of the wing and/or endplates shall not exceed 99cm (38.98 inches). The overall maximum width of the bodywork behind the front wheels shall not exceed 132cm (51.17 inches).
Formula Renault 2.0 (10-17)	2.0 Liter Renault F4R 832	(F) 9 (R) 10	See notes	See notes	1280	Engine must remain sealed. Car must comply with year-specific Formula Renault 2.0 manual, technical regulations, and all applicable bulletins found here: https://sites.google.com/a/renault-sport.com/formule-renault-2-0-en/bulletins-techniques/2017 , https://sites.google.com/a/renault-sport.com/formule-renault-2-0-en/manuel-d-utilisateur/2017 . The following exceptions apply: Tire choice is unrestricted. No part of the car may be altered from original Formula Renault 2.0 components, except for necessary repairs that do not affect performance.

Table 2 (Spec Line Cars)

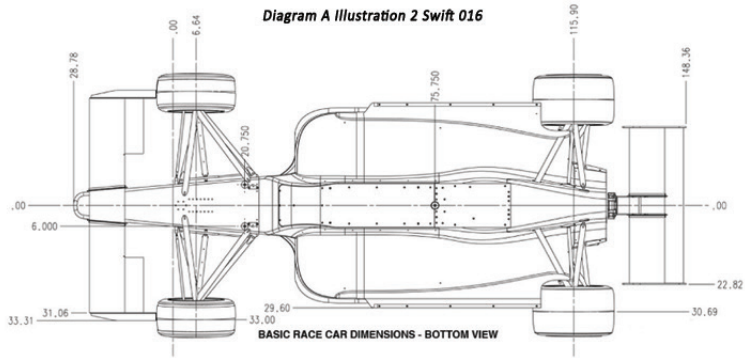
Car	Engine	Wheel Width (in) ± .060	Aero	Transmission	Weight	Notes
Swift 016	2.3 liter Mazda MZR/ Ford Duratec	(F) 10 (R) 14 Min. & 15 Max.	See notes	5 speed sequential	1420	Cars must conform to Appendix A as provided by Swift Engineering (see diagram A illustration 1-5 at the end of the spec line for drawings). Engine: The 2.3 Liter Mazda Duratec engine and ECU is unrestricted with the exceptions that a 32mm SIR must be used with a sealed air box (part no. FA11016INT) supplied by SCCA Enterprises, the maximum compression ratio is 14.0:1, and the maximum displacement is limited to 2266cc. OEM engine blocks and cylinder heads must be used. Dimensions: Wheel Base: 109.3 inches (277.6 cm) Overall Length: 177.1 inches (449.8 cm) Overall Width: F: 76.0 inches (193.0 cm) R: 75.8 inches (192.5 cm). The overall width will be measured at the wheel hub center by projecting a vertical plane from the widest outside rim surface. Other Dimensions: Reference Appendix A illustrations provided by Swift Engineering. All dimensions of the car within this table and Appendix A shall have a tolerance of + or - 0.2 inches. The bodywork may not be modified in shape or size; however, replacement bodywork may be supplied by sources other than Swift. Exception: In Appendix A illustrations 1 and 3 the un-dimensioned camera mount on the roll bar above the 37.83 height dimension may be removed. If the camera mount is removed the faring must be re-shaped to continue the contour lines of the roll bar below the 37.83 height dimension. Wings: The wings and end plates may not be changed. All wings must conform to the wing angles and dimensions specified in the Appendix A illustrations provided by Swift Engineering. Wings and endplates may be copies of the original Swift components whereas no profiles are changed. Contact the SCCA Technical Services department for copies of the wing profiles and end plate templates. Rear Wing Top Element: The rear wing top element may be adjusted within the designed range of +2.00 to +16.00. Front Wing Main Plane and Rear Wing Lower Element At all times, the front wing and lower rear wing element must be maintained at the designed angle (as seen in illustrations 4 and 5 of Appendix A provided by Swift Engineering) relative to the chassis zero line. Gurney flaps: Gurney flaps may be added to the top of the trailing edge of the front flaps, front main plane, and rear wing lower elements only, but may not be used on the rear wing upper element. They must be 90 degrees to the mounting surface and may be no more 0.500 inch high as measured from the upper surface of the wing element. Gurney flap height must remain constant across the width of the individual component span. No saw tooth Gurney flaps are allowed. The trailing edge of wings and flaps may be drilled for the purposes of attaching a Gurney flap. All wing angles shall have a tolerance of + or - 0.30. For Honda engine package the following part numbers from HPD are required: 60330-F25S-A010_ADAPTER, 016 ENGINE COVER, 60300-F25S-A000_COMP,016 ENGINE COVER, 17205-F25S-A010_AIRBOX, 016, 17203-F25S-A000_PIPE, INTAKE, 125T0-F25S-A000_BLISTER, 016 OIL LINE.
Swift 016	2.5 liter Mazda MZR/ Ford Duratec	(F) 10 (R) 14 Min. & 15 Max.	See 2.3 liter notes	5 speed sequential	1450	2.5 Mazda Notes: The max compression ratio is 11.5 with a 3.500 Bore x 3.94 Stroke (+/- .005). It must be a 2.5 Mazda Turbo Block, part# L3K9-10-300H. The cylinder head, part# L504-10-090, and valves shall be 2.5 Mazda. They must remain unmodified with no porting or valve modifications. Intake valve diameter is 35.1mm and exhaust valve diameter is 30.1mm. Valve springs must be a single type of spring of any manufacturer. The crankshaft must be stock Mazda part# LF-9-G-11-301. No profiling of counter weights and the balance shaft drive gear may be removed. The rod and main journals may be reground and a woodruff key slot may be added. Connecting rods shall be steel with a min. weight of 495 gr. center to center 6.092. Pistons may be any aftermarket part using 3 rings with a minimum weight, with pin, of 390 gr. Camshafts must be Cosworth YDX profiles supplied by Crower Cams. Cam timing specs shall be as follows: 104 ° TDC Intake 100 ° BTDC Exhaust +/- 1°. Chain or belt driven camshaft drive is permissible. An adapter plate is necessary between throttle body & cylinder head with a maximum thickness of 1 inch. The adapter plate must be uniform in thickness. The following engine parts must be used and are supplied by Cosworth: Barrel style throttle body (part# YD8183), Integral dry sump pan and pump (part# YD8154 YD 8139), Flywheel (part# YD0449). A carbon fiber 5.5 double plate clutch is optional. Exhaust system shall be the standard 4 into 1 Swift 016. A 33mm SIR is required. They are manufactured by Racetech and MUST be used with sealed air box kit, part# FA11016INT, supplied by SCCA Enterprises.

Diagram A Illustration 1 Swift 016



BASIC RACE CAR DIMENSIONS - SIDE VIEW

Diagram A Illustration 2 Swift 016



BASIC RACE CAR DIMENSIONS - BOTTOM VIEW

9.1.1. FA Spec Lines

Diagram A Illustration 3 Swift 016

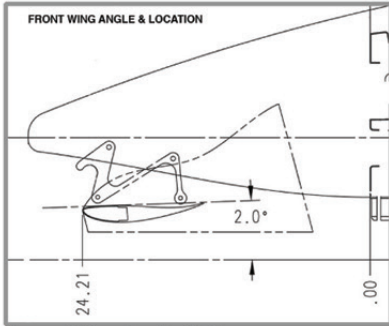
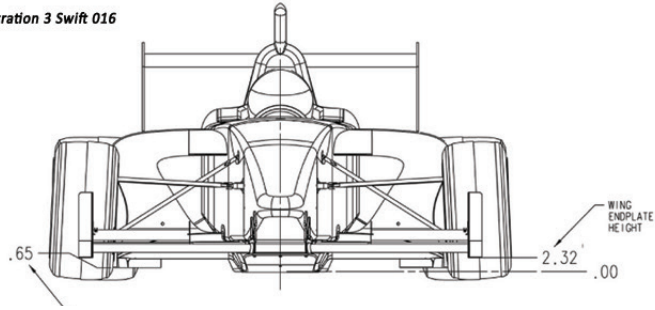


Diagram A Illustration 4 Swift 016



Diagram A Illustration 5 Swift 016

B. FORMULA CONTINENTAL / F PREPARATION RULES

1. FORMULA CONTINENTAL AND FORMULA F PREPARATION RULES

Definitions

- a. Formula F: A formula for single-seat, tubular frame, flat bottom, open-wheel racing cars using standard Ford 1600 "crossflow" pushrod engines, or a Honda Fit 1500 (L15A7) overhead cam engine, with firewall, floor, and safety equipment conforming to the GCR.
- b. Formula Continental: A formula for single-seat, tubular frame, flat bottom, open-wheel racing cars using the Ford 2 liter single overhead camshaft "NE" series engine, the 1971-74 Pinto/Capri 2 liter single overhead camshaft engine, or the Ford Zetec ZX-3 2 liter dual overhead camshaft engine.
- c. Formula F and Formula Continental are restricted classes. Therefore, any allowable modifications, changes, or additions are as stated herein. There are no exceptions. IF IN DOUBT, DON'T.
- d. Homologation may be required. Refer to section 9.2.2. for details.

2. General Construction Restrictions

NOTE: Contained herein are the 1986 Formula F chassis construction requirements, revised January 1, 2013. All new Formula Continental and Formula F cars are to be built to these specifications. Any class-specific differences are stated explicitly. For cars registered prior to January 1, 1986, see section B.21. The use of carbon fiber and/or Kevlar reinforcement, titanium, beryllium, metal matrix composites, ceramics, high strength composites and similar materials is prohibited unless the listed material is specifically permitted. The use of the word "unrestricted" in any section does not indicate the allowance of these prohibited materials. The use of non-metal materials (other than those listed above) for seals, bearing and bearing liners, thread locking systems, windscreens, mirrors, instruments, wiring, electronic systems, electrical systems, hydraulic and oil and cooling systems, etc, are permitted unless specifically restricted.

Fuel Capacity: Maximum capacity 41 liters (10.83 gallons)

Refer to the Formula F and Formula Continental Dimensions Table for general dimensional limitations.

3. Chassis/Frame

- a. The chassis/frame and all bulkheads shall be of steel tube, bar and sheet space-frame construction only, and shall comply with GCR construction requirements. Monocoque-type structures are prohibited.
- b. The soles of the driver's feet shall not extend beyond the front edge of the wheel rims (in normal position (i.e., pedals not depressed) and shall remain behind the front bulkhead (per 9.4.5). The lower main frame rails shall be a minimum of 25 centimeters (9.84 inches) apart (inside dimension) from the front bulkhead to the rear roll hoop.
- c. Forward-facing braces that protect the driver's legs and feet shall extend from the front roll hoop to the front bulkhead (The front bulkhead is defined as the transverse section of the frame immediately ahead of the pedals and drivers feet.) This does not preclude a secondary forward bulkhead ahead of this "front" bulkhead). The front bulkhead may be constructed from aluminum plate.
- d. Further reinforcement of the frame structure shall be in accordance with the allowances specifically stated herein. No other methods of reinforcement are permitted. No panels other than those which are explicitly described within the "Preparation Rules" set forth herein may be attached to the chassis/frame.
 1. The chassis shall carry a mandatory floorpan, and may incorporate optional bulkhead panels on the main and dash hoops, the front bulkhead immediately ahead of the drivers feet, and any secondary bulkhead located forward of the front bulkhead. The optional bulkhead panels may be attached in the same manner as the requirements set forth for the floorpan.
 2. A metal floorpan shall be rigidly attached to the lower surface of the bottom frame rails. At a minimum, it shall extend from the main roll hoop bulkhead to the front bulkhead. Floorpan material must be a minimum of .060 heat treated aluminum alloy and/or 18 gauge steel sheet only. Its curvature shall not exceed 25.4 mm (1.0 inch).
 3. The floorpan shall be, at the minimum, attached to the chassis lower rails at or adjacent to its full perimeter by any combination of welding, bonding, riveting, or bolting. The centers between any two adjacent fasteners shall be no more than 6 inches apart as measured along the panel surfaces. The floorpan may not "wrap up" on to the chassis sides to any point above the top surface of the lower main frame rails.
 4. The floorpan may be constructed in more than one section.
- e. The area between the upper and lower main frame tubes from the front instrument/dash roll hoop bulkhead to the rear roll hoop bulkhead shall be protected by at least one of the following methods to prevent the intrusion of objects into the cockpit. Panels may extend to the forward most bulkhead, but

must otherwise comply with these regulations. No other exterior panels (except for bodywork) shall be permitted in the area between the upper and lower main frame tubes from the forward most bulkhead to the rear roll hoop bulkhead. These panels may also serve as body in the described area.

1. Panel(s), minimum of either .060 inch heat treated aluminum (6061-T6 or equivalent) or 18 gauge steel, attached to the outside of the main frame tubes.
2. Reinforced body, consisting of at least two layers of 5 ounce, bi-directional, laminated Kevlar material incorporated into the body which shall be securely fastened to the frame. (5 or more layers are highly recommended.) For either method, fasteners shall be no closer than 6 inch centers. The steel tubes used for the chassis braces in this area shall be at least equivalent to the roll hoop brace material.
3. Flat composite panels of uniform thickness and construction attached to the outside of the main frame tubes. Shaping of these panels to conform with the outer perimeter of the main frame tubes is permitted. Carbon fiber is permitted; however, it must be used in conjunction with another "anti-ballistic" type material (e.g., Kevlar, Zylon, etc). Such material shall be at least 1.5mm (.060 inches) in thickness not counting the carbon fiber.
4. Composite anti-intrusion panels that are not of uniform thickness shall be attached with no more than eight fasteners per side. Fasteners shall be AN or superior grade of not more than 0.25 inch diameter. Two flat or countersunk Mil Spec or SAE washers of no more than 1 inch diameter may be employed with each fastener. Ten fasteners per side are permitted if the panels extend to the front bulkhead.

Alternatively, FIA mounting is permitted as follows:

One panel shall be permitted per side. It shall be fastened to the frame at its extreme corners, the upper, lower, forward and rearward edge halfway between the corners, and halfway along each diagonal tube. The attachment should consist of an 8mm U-bolt and an aluminum plate 3mm thick, 20mm wide and 12mm longer than the U-bolt span.

Panel mounting must comply with one or the other above prescribed methods. It may not be a combination of the two.

5. Alternate attachment method. Composite anti-intrusion panels may be attached to the outside frame with fasteners no closer than 6 inches (15 cm) centers. Fasteners shall be AN or superior grade of not more than 0.25 inch diameter. Two flat or countersunk Mil Spec or SAE washers of no more than 1 inch diameter may be employed with each fastener. No adhesives may be used for attachment purposes. Cars with composite panels, either interior or exterior, attached in this manner, are subject to a 25 pound weight penalty. Inlet restrictors may also be required. Composite panels attached to the interior and exterior of the frame rails must use common attachment points on opposite sides of the frame rail.
- f. Suspension components shall not be mounted directly to any frame exterior panel (including, but not limited to, body and anti-intrusion panels). The chassis must be capable of rolling without any such frame-exterior panels installed. The engine, bell housing/oil tank, and gearbox are exempt from this limitation.
- g. No panels or other components other than the required and optional load bearing panels may be attached to the chassis for structural purposes, except that the engine, bell housing/oil tank, and gearbox are permitted to be stressed and/or load bearing.
- h. A firewall(s) that seals the drivers' compartment (cockpit) and the engine compartment is required. Forward facing ducts may be installed to delivering air directly to the engine compartment. Air duct openings may be located within the cockpit provided the firewall is extended to prevent the passage of flame and debris from reaching the driver.
- i. Brackets are permitted for the exclusive purpose of mounting components, such as the engine, transmission, suspension pickups, clutch and brake components. They shall be metal. Brackets shall not be used to otherwise reinforce the frame. Composite and/or non-metal bellhousings are prohibited.
- j. Brackets for the purpose of mounting or attaching bodywork may be of glass fiber or metal construction, and may incorporate honeycomb, wood, or foam coring for purposes of maintaining its shape under aero loading. Kevlar reinforcement is permitted.
- k. Instruments may be mounted in non-metal panels (e.g., composite, wood, or plastic) securely affixed to the dash bulkhead.
- l. Impact Attenuators: See 9.4.5.G.
- m. No engine oil or water tubes are allowed within the cockpit, except for shielded (stainless steel braid) mechanical oil pressure lines. Chassis tubes shall not be used as oil or water transport tubes.
- n. Fuel cell vents shall be located at least 25cm (9.84 inches) to the rear of the cockpit.

4. Bodywork

9.1.1. Formula Car (FC/FF) Category Specifications

For the purposes of this section, bodywork includes all panels external to the chassis/frame and licked directly by the air stream. This includes panels above or below the floor pan, and the bottoms of any side pods.

- a. The bodywork opening giving access to the cockpit shall have the following minimum dimensions:

Length: 60cm (23.62 inches)

Width: 45cm (17.72 inches)

This width extends over a length of 30cm (11.81 inches) minimum. This minimum rectangular opening may exist anywhere forward of the firewall. Forward-facing roll bar/cage bracing and padding will not be considered in these dimensions.

- b. The driver's seat shall be capable of being entered without the manipulation or removal of any part or panel, with the exception of the steering wheel and/or driver's head surround. The steering wheel and the surround must be removable by the driver and/or safety workers without the use of any tools. Readily legible removal instructions for safety workers are recommended. Bead seats are recommended.
- c. Bodywork and rear spoiler(s) and any attached components except for suspension components shall not exceed a maximum width of 95cm (37.40 inches). No part of the bodywork, rear spoiler or exhaust system shall extend more than 100cm (39.37 inches) FF; 80cm (31.50 inches) FC behind the centerline of the rear axle. Allowances shall be made for radius of bodywork along primarily horizontal surfaces in this area. Undertrays and floorpans may extend laterally past cockpit sides, sidepods, and engine compartment enclosures, but only up to the 95cm (37.40 inches) maximum allowed width.
- d. Diffusers and undertrays shall not exceed a maximum width of 95 cm (37.40 inches). No part of the diffuser or undertray shall extend more than 80 cm (31.50 inches) behind the centerline of the rear axle nor exceed in height a horizontal plane 90cm (35.43 inches) above the ground with the car as qualified or raced with the driver on board.
- e. Bodywork shall be of aluminum or glass fiber construction and may incorporate honeycomb, wood, or foam coring for purposes of maintaining its shape under aero loading. Kevlar reinforcement is permitted. All bodywork shall be attached to the chassis such that it is not capable of coming loose when the car is in operation.
- f. Cockpit is defined as the volume which is inside the inner surface of any panel attached to the outside of the frame rails between the rear roll hoop and the front bulkhead.
- g. Cockpit interior panels may be constructed of glass fiber, carbon fiber, metal and/or Kevlar. Such panels shall be contained completely within the frame and may not be attached to the frame with fasteners closer than 6 in (15 cm) centers measured along the surface of the panel. The chassis must be capable of rolling without any such interior panels installed. Cars with composite panels, either interior or exterior, attached in this manner, are subject to a 25 pound weight penalty. Inlet restrictors may also be required.
- h. Mirrors, air ducts/intakes which do not serve any structural purpose other than directing air flow into the engine or other permitted areas and the required Zetec air scoop may be constructed of carbon fiber and/or other composites.

5. Control of Undersides Shaping

It is the intent of these rules to minimize (not eliminate) the use of "ground effects."

- a. A reference area is defined

Formula F: by the full width of the lowest surfaces of the car licked by the air stream between the front bulkhead as described in B.3.a above and the rear of the rear tires.

Formula Continental: by the full width of the lowest surfaces of the car licked by the air stream between the rear edge of the front tires and the front edge of the rear tires.

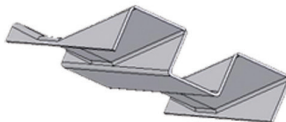
These surfaces may include the floor pan, undertrays, diffusers, side pod bottoms and any essentially horizontal bodywork that is included in the lowest surfaces licked by the air stream. Within this reference area, the lowest surfaces licked by the air stream must be flat with a total vertical tolerance of 25.4mm. An undertray beneath the engine, bell housing and/ or gearbox is not required.

1. Mirrors and any primarily vertical bodywork (e.g., cockpit/radiator sides that are oriented 45 degrees or greater relative to the ground) that extend laterally past the outer edges of the floor pan and/or undertrays are not subject to the reference area restrictions.
2. Fairings for streamlining suspension pickups are not subject to the reference area restrictions; however, such fairings shall be symmetrical about their horizontal axis.
3. The perimeter of any reference area surface that transitions upward to any bodywork may use a maximum 1 inch radius and shall be included in the reference surface measurement.

- b. Measurement for compliance of the defined area shall be performed as follows:
1. A non-flexible straight-edge bar shall be placed against the lower surface of the reference area in a suitable section (unworn and flat enough to prevent rocking of the bar) from which the bar can be oriented to measure all parts of the reference area. The competitor shall be responsible for the availability and condition of such a surface. The bar shall be of sufficient length to reach all portions of the reference area from that surface.
 2. All measurements shall be taken vertically from the bar to the reference area surfaces. The total maximum vertical distance (additive upward and downward) from the bar to any part of the reference area surfaces shall be 2.54 cm. Skid blocks and or rub strips are not included in this measurement.
- c. No aerodynamic devices (e.g., skirts, body sides, skid "planks", undertrays, skid blocks, etc.) may extend more than 1 cm (.394 inches) below the reference area.

6. Aerodynamic Aids

- a. A wing shall be defined as any shape that has a leading edge and a trailing edge and creates downforce.
- b. Wings and other airfoil devices ("dive planes", etc.), whose primary purpose are to create aerodynamic downforce, are prohibited in Formula F.
- c. Both front and rear wings/airfoils are a requirement for FC. See the Formula F and Formula Continental Dimensions Table. Cockpit or remote adjustment is not permitted; wings and airfoils shall be non-movable when the car is in operation.
- d. Any part of the car which that has an influence on the aerodynamic stability of the vehicle shall be firmly attached with no provisions for adjustment to vary downforce while the car is in motion.
- e. Shaping of the lower surfaces to create "venturi" type tunnels is prohibited. An example of venturi tunnels is shown in the following figure.



- f. It is not permitted to duct air through any part of the bodywork for the purpose of aerodynamic downforce. There shall be no forward facing gaps or openings in or about the bodywork with the exception of those necessary for engine cooling, engine air inlet, shock, or brake cooling. All ducted air for heat exchangers shall pass through those heat exchangers
- g. Primarily vertical (see B.5.a.1) air diverters greater than 30 inches forward of the main hoop (i.e. - "bargeboards") that stand away from the cockpit sides and are attached to (or through) the cockpit sides, undertrays and/or sidepods shall be considered as creating forward facing gaps and shall be prohibited.
- h. (Formula F only) A single rear spoiler, that may be capable of adjustment, is permitted. Cockpit adjustment is not permitted. This spoiler shall be no wider than the surface to which it is attached, and there shall be no gap between the spoiler and the body surface to which it is attached.
- i. (Formula F only) No part of the bodywork is allowed to have any down-turned fences or intermediate strakes. Undertrays are allowed, but any portion within the reference area (B.5) must comply with the reference area measurement rules. No bodywork below the horizontal centerline of the differential and to the rear of the rear tires may be wider than 16 inches.
- j. (FC only) Diffuser undertrays, to the maximum allowed bodywork width are permitted, but any portion within the reference area (B.5) must comply with the reference area measurement rules.
- k. Wings, endplates and their attachment(s) shall be of metal or glass fiber construction, and may incorporate honeycomb, wood, or foam coring for purposes of maintaining its shape under aero loading. Kevlar reinforcement is permitted.

7. Suspension

Suspension is defined as the system of springs, shock absorbers, control arms, links, etc., supporting the vehicle on its axles. Sway bars, sway bar links, steering components, etc., are not considered as suspension

9.1.1. Formula Car (FC/FF) Category Specifications

in this section.

- a. All suspension components shall be of steel or ferrous material, with the exception of hubs, hub adapters, hub carriers, bell cranks, pivot blocks, bearings, bushings, spring caps, abutment nuts, shock absorber caps and nuts, which may be of aluminum alloy. Material restrictions as set forth in Section B.2 above shall control.
- b. Front and rear hub carriers shall be only steel, aluminum or magnesium alloy for cars manufactured after January 1, 1983.
- c. Springs shall be steel only.
- d. Control arms and all associated items that attach directly to the chassis members shall be boxed in or captured to prevent intrusion into the cockpit. "Anti-Intrusion" bars are highly recommended on the front suspension arms.
- e. Shock absorbers: Design - unrestricted; casing material: steel or aluminum alloy.
- f. Sway bars, sway bar links and steering components are unrestricted, except as specified in B.2.
- g. It is not permitted to attach spoilers, fairings or other devices that may exert downforce to the movable suspension members. If the suspension member is of streamline or airfoil cross section, it shall be symmetrical about its horizontal axis. Brake lines may be attached to suspension members. Brake lines may be enclosed in a symmetrical fairing.

8. Brakes

Unrestricted, except:

- a. Maximum of 2 pistons allowed per caliper. Calipers must be ferrous or aluminum alloy.
- b. Brake rotors are restricted to ferrous material.
- c. (FC only) Inner wheel fairings and/or ducts are permitted. They shall however not sport any wings, dive planes or other airfoil type devices. (FF only) inner wheel fairings and/or ducts are prohibited.

9. Steering

Unrestricted.

10. Wheels and Tires

Wheels are unrestricted except that:

- a. Material must be metal.
- b. Diameter shall be thirteen (13) inches.
- c. Rim width:
 - Formula F: shall not exceed 5.5 inches.
 - Formula Continental: shall not exceed 6.0 inches front and 8.0 inches rear.
- d. All measurements shall be taken between the beads.
- e. Formula F shall be limited to the following tires (front tires may not be used as rears):
 - Dries:
 - Front- Hoosier R60A Radial 43322 or F1600 Radial 43321 185/60R13
 - Rear- Hoosier R60A Radial 43327 or F1600 Radial 43326 205/60R13
 - Wets:
 - Front-Hoosier Wet or W3 Radial 44421 185/60R13
 - Rear-Hoosier Wet or W3 Radial 44426 205/60R13
- f. All Formula F competitors competing in an SCCA sanctioned event shall place three (3) "Hoosier Tires" decals on their car in the following locations: one (1) 8"x2" on the vertical plane of the front nose section, and two (2) 11"x3", one on each side of the engine cover on a vertical plane.
- g. FC shall be limited to the following tires (front tires may not be used as rears):
 - Dry:
 - Front – Hoosier 20.5 x 7.0 – 13 R60A compound - 43164R60A
 - Rear – Hoosier 22.0 x 8.0 – 13 R60A compound – 43285R60A
 - Wet:
 - Front – Hoosier 21.0 x 6.5 – 13 W3- 44185W3
 - Rear – Hoosier 22.0 x 8.0 – 13 W3 – 44196W3

9.1.1. Formula Car (FC/FF) Category Specifications

- h. FC shall be permitted a maximum of four (4) dry tires and four (4) wet tires for all Regional, Major, and Super Tour events; eight (8) dry tires and eight (8) wet tires are permitted for the Runoffs. This rule shall be effective beginning with the first (1st) qualifying session of the event. Marked tires are not required for testing or practice. It is the competitor's responsibility to ensure that the tires are declared, marked, and logged by Tech in advance of the tire(s) being used in a qualifying session or race.
1. Use of an undeclared tire shall automatically result in all times being disallowed in that session or finishing position in that race.
 2. If a tire is damaged during a qualifying session or a race the competitor may replace the damaged tire with a used tire upon approval by the Chief Steward without loss of time or finishing position. Second or subsequent damaged tires may similarly be replaced upon approval by the Chief Steward, however such shall result in the loss of grid position in the subsequent race or session; the competitor shall start at the back of the grid.

11. Engines

Formula F engines

The only permitted engines are:

- a. The Ford 1600 GT "Kent" pushrod "crossflow" as installed in the Ford Cortina in 1971 and later. The Kent engine specifications are contained in B.12.
- b. The Ford 1600 GT "Cortina" engine as installed in the Ford Cortina through 1970. The Cortina engine specifications are contained in B.13.
- c. The Honda Fit (L15A7) 1500cc overhead cam engine as installed in a Honda Fit (all models starting 2009). The Honda Fit engine specifications are contained in B.14.

Formula Continental Engines

The only permitted engines are:

- a. The Ford 2 liter single overhead camshaft "NE" series engine or the 1971-74 Pinto/Capri 2 liter single overhead camshaft engine. The specifications are contained in B.15.
- b. The Ford Zetec ZX3 2 liter dual overhead camshaft engine. The specifications are contained in B.16.

12. Kent Engine

a. General

1. Components shall not be interchanged between the Kent and Cortina versions of the engine unless specifically authorized.
2. The engine shall not be altered, modified, or changed in any respect unless specifically authorized herein. When a system is specified to be "unrestricted" (e.g. paragraphs p and q), the restrictions of this paragraph do not apply.
3. The gasket face of the cylinder head may be resurfaced provided the maximum compression ratio is not exceeded.
4. Valve guides are unrestricted provided the position of the valve is not changed. Standard Ford replacement valves, with oversize stems, may be used as normal repair/maintenance procedures. The specifications, in B.12.f are mandatory. It is permitted to re-cut or replace valve seats. Valve seat angles are unrestricted.
5. Exhaust emission control, air pumps, and associated lines and nozzles shall be completely removed. When these air nozzles are removed from a cylinder head, the holes shall be completely plugged.
6. Balancing of all moving parts of the engine is permitted. The pistons, rods, crankshaft, and flywheel may be lightened to their stated minimum weights. It is permitted to polish parts of the engine providing the contour of the part is not altered and can be recognized as the original part. Pistons may be balanced to the minimum weight by removing weight from the pin boss, the underside of the piston crown, or the bottom edge of the skirt. "Gas porting", re-profiling, or any other modification to the piston, other than expressly permitted herein, is prohibited. Knife-edging the crankshaft throws is not permitted.
7. Compression Ratio
Maximum compression ratio: 9.3 to 1

The following specifications are used in determining compression ratio:

- A. Maximum bore size: 3.200"
- B. Minimum cylinder volume at Top Dead Center: 42.0cc
- C. Maximum valve protrusion from head surface: .040"
- D. Only approved head gaskets may be used (see B.12.c.3)

b. Block

9.1.1. Formula Car (FC/FF) Category Specifications

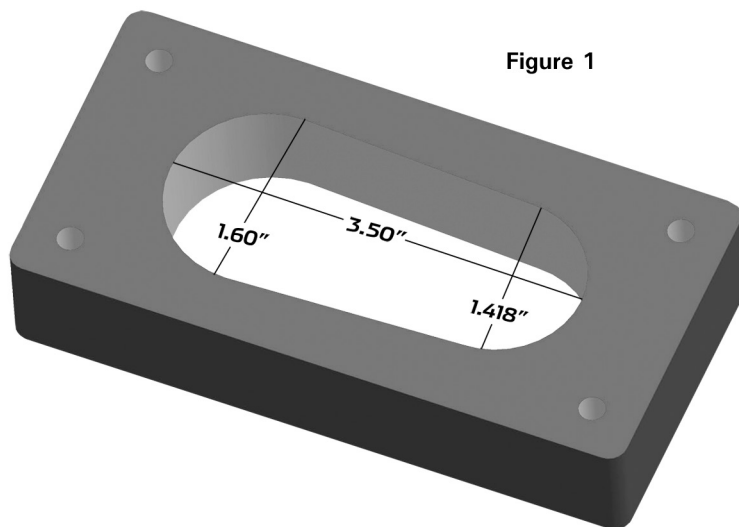
1. Bore may be enlarged for clearance between cylinder and piston.
2. Cylinder sleeves may be fitted. The top surface of the block may be milled or surface ground to obtain the maximum compression ratio specified above. Any steel center main bearing cap may be used. The oil pump mounting face on the block may be machined for the purpose of fitting an oil pump.
3. The 1600 Fiesta block is permitted as a replacement part.
4. The Ford Racing block, part number M-6010-16K, is permitted as a replacement part.
5. The block may be relieved in those areas only as required to allow the fitment of a permitted crankshaft.

c. Cylinder Head

1. Ports may be reshaped by the removal of metal as long as the port diameter at the manifold face of the head does not exceed the following dimensions:
Inlet: 1.50" Exhaust: 1.20"
2. The use of the Pierce aluminum cylinder head is permitted.
3. The following head gaskets are allowed:
 - A. Ford Part # 931M6051AA
 - B. Payen Part # AH-750
 - C. Felpro Part # 8360PT-1

d. Inlet Manifold

1. The ports may be reshaped by the removal of metal as long as the following dimensions are maintained:
Maximum dimension at head face: 1.340"
2. Carburetor Flange- Maximum dimensions at carburetor flange: see Figure 1.
3. The carburetor face of the inlet manifold may be machined to the horizontal to compensate for fore/aft tilt of the carburetor.
4. Epoxy exposed in the manifold used to make repairs is acceptable, providing the total area is less than 0.75 square inches.
5. The water passages in the inlet manifold may be plugged. Holes in the inlet manifold resulting from the removal of emission/vacuum lines shall be plugged.



e. Pistons

1. Standard or 0.005 inch oversize pistons shall be used.
2. Standard size AE pistons P/N 18649, casting P/N 18634, standard size CP piston, part #81-2 FF1600, or CP oversize piston, part # 81-2- FF1600+5 may be used. CP pistons bearing part #81-2-ff1600 or #81-2-FF1600+5 must bear the Ivey logo.
3. Alternate piston identified as follows is allowed: P/N AE-M717D, casting number 711 M 6110. AE Hepolite P/N 20552, Casting # 20548A. Note: Mahle pistons are not allowed.

4. Dimensions and Weights

Maximum diameter:

Standard:	3.187"
0.005" o/s:	3.192"
Depth of bowl:	0.470" (minimum)
Maximum diameter of bowl:	2.44" AE Hepolite, 2.50" CP Piston
Centerline of wrist pin to crown:	1.702" +/- .002"
Overall height:	3.30" AE Hepolite 2.80" CP Piston
Minimum weight	515 grams (w/ clips, pins and rings)
Weight of pin:	115 +/- 2 grams
Ring Groove Widths:	Top Groove: 0.064" 2nd Groove : 0.0795" Oil Groove: 0.159"

5. Piston rings are unrestricted provided that:

- One oil control and two compression rings are used.
- No modification is made to the piston for the installation of rings.
- Pocketing of the piston valve reliefs is allowed up to a maximum of .050" to obtain the maximum combustion chamber volume.

6. Wrist Pins are unrestricted provided that:

- Weight is 115 +/- 2 grams.
- No modification is made to the piston for the installation of the wrist pins.

f. Valves**1. Dimensions**

	Iron head	Alloy head
Distance apart at centers	1.540" +/- .020"	1.570" +/- .020"
Max. diameter:		
	Inlet: 1.560"	
	Exhaust: 1.340"	
Overall length:		
	Inlet: 4.367" +/- .020"	
	Exhaust: 4.355" +/- .020"	

- Reshaping of the valves is specifically prohibited.
- Alternate valve AE p/n V34524 (intake), V34525 (exhaust) are permitted.

g. Camshaft

- Regrinding camshaft lobes is permitted, providing they are ground to meet FORD and SCCA profile.
- Camshaft Lobe Centers: 109° +/- 2°

Lift at top of pushrod:

Inlet:	0.231" +/- .002" Maximum
Exhaust:	0.232" +/- .002" Maximum

Lift at spring cap: (Valve Lift)

Inlet:	0.356" Maximum
--------	----------------

(Zero tappet setting)

Exhaust:	0.358" Maximum
----------	----------------

- Recontouring of the valve stem contact pad of the rocker arm is permitted, provided the maximum lift at the spring cap is not exceeded
- Offset camshaft/sprocket dowels are permitted.
- Camshaft profile and lobe centers shall be checked using the official procedure published by SCCA.
- A camshaft that is a replica of the original camshaft and of the same material may be used.

h. Valve Springs

Valve springs and valve spring shims are unrestricted, except that:

- Springs and shims shall be made of steel.
- No more than one spring shall be used per valve.

9.1.1. Formula Car (FC/FF) Category Specifications

3. Conically wound springs are not allowed.
4. The standard spring cap and retainers shall be used.

i. Pushrods

Any pushrod made of a ferrous material may be used, provided that the minimum dimensions and weight are met.

Minimum stem diameter: 0.25"
Overall length: 7.64" Minimum
Minimum weight: 50 grams

j. Connecting Rods

Any ferrous connecting rod may be used provided it meets a minimum weight of 630 grams and has a center to center length of 4.925 +/- 0.020 inches. (Note: Weights include cap, bolts, and small end bush, but not big end bearing shells).

k. Crankshaft

An alternate cast steel crankshaft meeting original Ford Kent and SCCA dimensions and weight is permitted.

Weight: 24 lbs. 8 oz. Minimum
Max Stroke (at piston): 3.056" +/- .004"
Crankshaft pulley: unrestricted

The crankshaft from the Cortina engine may be used.

The crankshaft from the Fiesta engine may be used.

The crankshaft may be shot peened.

l. Flywheel

1. Weight with ring gear: 15.5 lbs minimum.
2. The flywheel may be machined to reduce weight to the above minimum weight. Flywheel locating dowels are permitted.
3. Weight may be added to the flywheel, providing it is added ONLY to the existing clutch bolt holes, i.e., single cap screws or set screws. No continuous material shall be used.
4. An alternate flywheel, part # JAE1600 is also allowed at the above weight of 15.5 lbs.

m. Carburetor

Weber 32/36 DGV or Holley 5200

Venturi diameter: Primary: 26mm
Secondary: 27mm

It is permitted to:

1. Fit any jets (including accelerator pump discharge nozzle) as long as no modifications to the carburetor body are required.
2. Modify or substitute the external throttle linkage.
3. Fit internal and/or external surge pipes.
4. Remove the air cleaner
5. Fit velocity stacks
6. Remove the choke butterflies and linkage.
7. Use an alternate carburetor gasket provided it is the same thickness as the original gasket and doesn't exceed the manifold opening dimensions
8. Modify the carburetor housing for the installation of throttle shaft bearings provided the modification serves no other purpose.

n. Fuel Pump

Unrestricted

o. Exhaust Manifold

Unrestricted

p. Lubrication System

Lubrication system is unrestricted; any oil pump and oil sump permitted; dry sump is permitted. Localized machining of the cylinder block is permitted to allow fitting of the oil pump. Dry sump system is permitted.

q. Cooling System

Cooling system is unrestricted. Any radiator, fan, water pump and drive belt permitted. Pump/fan/generator drive belt: Unrestricted

r. Electrical Equipment

Distributor: Distributors are unrestricted provided the original drive, location, and housing are retained. The distributor is defined as the component that triggers the LT current and distributes the HT current. The ignition timing may only be varied by vacuum and/or mechanical means. It is prohibited to use any other method or component to trigger, distribute, or time the ignition. The vacuum advance mechanism may be removed, and the distributor advance plate may be secured by soldering or welding or by suitable fasteners. The advance curve and advance springs are unrestricted. Generators/ Alternators: optional. All other electrical components are unrestricted.

s. Miscellaneous

1. The timing chain/sprocket cover may be altered or replaced.
2. The use of the following non-standard replacement parts is permitted provided their use does not result in any unauthorized modification of any other component:
 - A. Fasteners - nuts, bolts, screws, studs, etc. Intake manifold fasteners may be of either a socket head or hex head configuration, and must be 5/16" diameter.
 - B. Gaskets, except head gasket.
 - C. Washers.
 - D. Seals.
 - E. Connecting rod, crankshaft, and camshaft bearings of the same size and type as original. Normal oversize/undersize bearings are permitted. This does not allow reducing the bearing surface area by reducing the width of standard bearings.
 - F. Spark plugs.
 - G. Rocker pedestals that are of the same material and dimensionally identical (i.e., shaft location, offset, etc.) to the original components may be used.
3. Mechanical tachometer drive is permitted.
4. The crankcase breather may be altered or removed.
5. The standard rocker cover may be altered to provide for crankcase ventilation, and the filler cap may be altered or replaced. Valve or rocker covers may be substituted, provided that the replacement cover affords no additional function than that of the original stock cover. (relocated text from 8 below)
6. The crankshaft and main bearing caps may be treated with salt-bath nitriding cover under SAE specification AMS 2755A (tuftriding, etc.)
7. Any oil or lubricants may be used.
8. Water pump, fan, and generator/alternator pulley(s) are unrestricted.
9. Exhaust Outlets

Exhaust outlets on cars registered after January 1, 1986 shall not extend more than 60 cm (23.60") behind the centerline of the rear axle and shall be positioned between 10 cm (3.9") and 60 cm (23.6) from the ground, measured to the bottom of the exhaust pipe.

Exhaust Outlets: Cars registered prior to January 1, 1986.

- A. It is recommended that all exhaust outlets be no longer than 60cm (23.60") behind the centerline of the rear axle and positioned between 30cm (11.8") and 60cm (23.6") from the ground.
- B. For cars unable to comply with the above rule (A.), they shall have a support bracket that attaches within six (6) inches of the outlet end, and the support bracket shall extend no more than thirty (30) degrees from vertical to the rear. Beginning January 1, 1986, it is mandatory for all Formula F cars.

13. Cortina Engine

All of B.12 applies to the Cortina engine except as specified in this section. Components shall not be interchanged between the Kent and Cortina versions of the engine unless specifically authorized.

a. Compression Ratio

Maximum compression ratio: 10.0 to 1. The following specifications are used in determining compression ratio:

- 1.64cc - top ring to top of piston
- 5.60cc - head gasket.

9.1.1. Formula Car (FC/FF) Category Specifications

Minimum unswept volume per cylinder:

44.4cc (original engine with standard pistons)

45.1cc (original engine with .030" o/s pistons)

b. Block

The 1600 Pinto block, P/N DIFZ-6010-C, may be used as a replacement for the Cortina block; Standard Pinto tappets, P/N DORY 6500A and DIFZ 6500A may also be used when this block is used as a Cortina replacement.

c. Cylinder head

Ports may be reshaped by the removal of metal as long as the port diameter at the manifold face of the head does not exceed the following dimensions:

Inlet: 1.50" Exhaust: 1.16"

Combustion chamber:

Minimum depth 0.115"

Maximum length: 3.15"

Minimum volume per cylinder: 7.8cc

Reshaping is prohibited.

Ford Pinto cylinder head P/N DORY 6049B is permitted.

d. Inlet Manifold

The ports may be reshaped by the removal of metal as long as the following dimensions are maintained:

Maximum Size at head face:

Cyl. 1 & 4: 1.48" x 1.28"

Cyl. 2 & 3: .25"

Maximum size at carburetor flange: 3.060" x 1.389"

Maximum width: 3.80"

Primary choke end radius: .709"

Secondary choke end radius: .787"

e. Pistons

Standard, 0.015 inch oversize or 0.030 inch oversize pistons may be used.

Piston Maximum diameter:

Standard: 3.189"

0.015" o/s: 3.204"

0.030" o/s: 3.219"

Depth of bowl: 0.500" +/- .005"

Minimum volume of bowl: 31.5cc

Maximum diameter of bowl: 2.28"

Centerline of wrist pin to crown: 1.737" +/- .002"

Overall height: 3.30"

Minimum weight

w/rings & pin: 485 grams

Weight of pin: 115 +/- 2 grams

Wrist Pins are unrestricted provided that:

No modification is made to the piston for the installation of the wrist pins

f. Valves

Distance apart at centers: 1.540" +/- .020"

Max. diameter:

Inlet: 1.502"

Exhaust: 1.252"

Overall length:

Inlet: 4.280" +/- .006"

Exhaust: 4.260" +/- .006"

g. Crankshaft

Weight: 23 lbs. 8 oz. minimum

The crankshaft from the Kent engine may be used.

h. Carburetor

Weber 32 DFM or DFD or Holley 5200

Venturi Diameter: Primary: 26mm

Secondary: 27mm

14. Honda Fit 1500 (L15A7) Engine

a. General

1. No modifications to this engine are allowed except where specifically authorized within these

9.1.1. Formula Car (FC/FF) Category Specifications

rules. This includes, but is not limited to, all fuel injection and engine management components, electrical, cooling and lubrication systems. All systems are subject to test procedures and must conform to OEM specifications as stated in the Honda Fit factory service manual, Honda PN 61TK600 and all superseding years, or as specified in these rules. The factory service manual or its equivalent is required to be in the possession of each entrant. The manual may be the form of printed material, microfiche, CDs, DVDs and/or Internet access to manufacturer sponsored web-based databases.

2. Permitted engine maintenance includes the replacement, but not modification, of external engine and engine systems parts.
 3. All rubber fluid lines may be replaced with braided metal-covered (Aeroquip type) lines. Hose clamps may be installed on the rubber oil lines.
 4. No balancing, lightening, polishing or other modification of moving parts of the engine is permitted.
 5. Only stock Honda manufactured gaskets and seals as specified in the Honda Fit factory service manual are permitted (Including, but not limited to, head gasket, intake runner gaskets and O-rings, restrictor plate gasket, and intake and exhaust gaskets).
 6. For all Honda part numbers in these specifications, superseding part numbers are considered equivalent.
- b. Block
1. The only permitted cylinder blocks are Honda PN:
11000-RP3-810 (2009-2010)
11000-RTW-810 (2010-2012)
 2. Honing of cylinders is permitted to a maximum diameter of 73.315mm (2.8864 inches). Fitting of cylinder sleeves is prohibited.
 3. Block must use stock main bearing caps, girdle and hardware as supplied.
 4. Minimum deck height from crank centerline: 220.00 mm (8.661 inches).
- c. Crankshaft
1. The stock Honda Fit crankshaft, Honda PN: 13310-RB1-000, must be used with no modifications allowed.
 2. Minimum weight: 27.7 lbs. No pilot bearing, pulsar or hardware.
 3. Maximum stroke at piston: 89.55mm (3.526 inches)
 4. Main and rod bearings must not be modified in any way. OEM bearings must be used from within the standard range as allowed in the Honda Fit factory service manual.
 5. The crank pulsar must not be altered in any way.
 6. The crank pulley/balancer must not be altered or modified in any way.
 - a. Minimum weight: 3.90 lbs.
 - b. Honda PN: 13810-RB0-003.
- d. Connecting Rods
1. Stock Honda Fit connecting rod must be used PN: 13320-RB1-000.
 2. Minimum connecting rod weight with cap and bolts: 280.0 grams (9.88 ounces).
 3. Maximum connecting rod length center to center: 149.05mm (5.868 inches).
- e. Pistons
1. Honda Fit OEM standard size pistons, PN: 13010-RB1-000, or Honda Fit OEM 0.25mm oversize pistons, PN: 13020-RB7-Z00, may be used.
 2. Piston dimensions and weights:
 - a. Maximum standard piston diameter, measured at a point 16mm from the bottom of the skirt: 73.240mm (2.8834 inches).
 - b. Centerline of wrist pin to crown maximum: 26.21mm (1.032 inches).
 - c. Maximum overall height from skirt to crown edge: 47.80mm (1.882 inches).
 - d. Minimum weight: 198.0 grams (6.984 ounces).
 - e. Minimum weight of piston pin: 66 grams (2.25 ounces).

9.1.1. Formula Car (FC/FF) Category Specifications

- f. Combined minimum weight of piston, piston pin and connecting rod: 543.5 grams (18.85 ounces).
3. Piston rings must be as used in the Fit engine. Two compression rings and one 3 piece oil control ring must be used.
 - a. The standard ring pack, PN 13011-RB1-004 (Riken) or 13011-RB1-006 (Nippon), or the over-size ring pack, PN 13021-RB7-Z01 (Riken) or 13021-RB7-Z02 (Nippon), may be used.
 - b. No modification of the piston is permitted for the installation of rings.
 - c. Ring groove widths.
Top ring groove: 1.04mm (0.0409 inches) +/- 0.01mm.
Middle groove: 1.02mm (0.04016 inches) +/- 0.01mm.
Oil ring groove: 2.00mm (0.07874) +/- 0.01mm.
 - d. Ring gaps must be from 0.006 inch to 0.024 inch.
- f. Cylinder Head
 1. The only permitted heads are Honda PN:
12200-RB0-G00 (2009-2010) (US spec)
12200-RP3-A00 (2010-2012) (US spec)
12200-RTW-A00 (2011-2013)
12200-RB0-000 (Japan Spec)
 2. The gasket face of the cylinder head may be resurfaced to a service limit of 0.2mm (0.008 inches) based on a height of 120.0 mm (4.720 inches). However, the maximum compression ratio of 10.55:1 may not be exceeded.
 3. The cylinder head must not be ported, polished or machined. The original casting must not be modified in any way or polished, with the following exception: A pipe thread fitting may be installed at the top of the cylinder head with a return line to the swirl tower to allow any trapped air or overheated coolant to escape.
 4. Head gasket to be stock Honda Fit PN: 12251-RB0-004. Minimum compressed thickness of 0.76 mm +/- 0.05mm.
 5. Cylinder head breather restrictor must be used as supplied by HPD *or Fast Forward*, unmodified: *HPD* PN: 15262-F21S-A200; *Fast Forward* PN: *FF200-503*.
- g. Camshaft
 1. The only permitted camshaft is PN: 14110-RB1-J00; must not be modified.
 2. The CMP pulse (cam trigger) plate must be as supplied, Honda PN 14221-RB0-003.
 3. The camshaft and crankshaft sprockets must be as supplied, Honda PNs: 14211-RB0-J00 and 13621-RB0-003, respectively. Cam timing must not be altered; the timing chain must be installed as specified in the Honda Fit factory service manual. The timing chain/sprocket cover and crankshaft pulley may not be altered. With the engine at TDC (No. 1 cylinder), the "UP" mark on the camshaft sprocket must be at the top and the TDC grooves on the camshaft sprocket must line up with the top edge of the cylinder head.
 - a. Timing chain Honda PN: 14401-RB1-003.
 - b. Case assy, chain (sprocket cover) PN: 11410-RB1-000
 - c. Pulley comp, crankshaft, PN: 13810-RB0-003
 - d. Cam timing at lobe centers: (at 1mm after opening to 1mm before closing).
 - i. Exhaust: 119 degrees, +/-1.0 degree.
 - ii. Intake VTEC on: 111 degrees, +/-1.0 degree.
 4. Camshaft profile and lobe centers shall be checked using the official procedure published by the SCCA.
 5. Cam lobe heights: Intake, Primary: 35.240mm, secondary: 36.200mm, exhaust: 35.490mm.
 6. Valve lift measured at the retainer:
 - a. Exhaust: 9.200mm
 - b. Intake VTEC off: 8.680mm

- c. Intake VTEC on: 9.900mm
- 7. Valve rockers must not be modified in any way.
 - a. Honda PN: 14620-RB1-010 Arm Assy, rocker.
- 8. The VTEC system must be stock. The VTEC activation valve must be stock. The HPD ECU will activate the VTEC at 5200 RPM. Honda PN: 15810RBO-G01.
- h. Valves

OEM valves must be as used in the Fit.

 - 1. Dimensions
 - a. Inlet PN: 14711-RB0-000 Exhaust PN: 14721-RB0-000
 - b. Maximum diameter: Inlet: 28.15mm Exhaust: 23.15mm
 - c. Maximum overall length: Inlet: 119.15mm Exhaust: 117.85mm
 - d. Minimum stem diameter: Inlet: 5.45mm Exhaust: 5.42mm
 - 2. Valve location or angle must not be moved.
 - 3. Reshaping of the valves is strictly prohibited.
 - 4. Valve guides may be replaced provided the position of the valve is not changed and the replacement guides are Honda OEM parts.

Inlet PN: 12204-PJ7-305 (over size)

Exhaust PN: 12205-PJ7-305 (over size).
 - 5. It is permitted to replace or re-cut valve seats provided the valve seat angles are stock Honda three angle cut per the Honda Fit factory service manual.
 - 6. Valve stem installed height must be per The Honda Fit factory service manual:
 - Intake maximum: 46.8mm.
 - Exhaust maximum: 46.9mm.
 - 7. Valve stem seals must be Honda OEM parts.

Honda PN: Intake: 12210-PZ1-004 seal A.

Honda PN: Exhaust: 12211-PZ1-003 or 12211-PZ1-004 seal B.
- i. Valve Springs
 - 1. Valve springs are Honda OEM as specified in the Honda Fit factory service manual.
 - a. Intake PN: 14761-RB1-003, free length: 48.55mm.
 - b. Exhaust PN: 14762-RB1-007, free length: 54.52mm.
 - 2. Valve spring shims are not permitted.
- j. Compression Ratio

The maximum compression ratio is 10.55 to 1 utilizing Honda Fit factory service manual limits. Carbon may be removed.
- k. Intake Manifold and Fuel System
 - 1. The lower manifold must be stock Honda Fit parts. It is not permitted to add or remove material. No coating is permitted on the exterior or interior of the manifold. (SCCA Road Racing will have a standard port model for comparison.)

Honda PN: 17100-RB1-000
 - 2. The upper manifold, air box and throttle body assembly must be used as delivered from *Honda, HPD, or Fast Forward as noted below*. External throttle return springs are unrestricted.
 - a. *Intake manifold: HPD PN: 17210-F21S-A210; Fast Forward PN: FF200-201.*
 - b. *Throttle body: Honda Fit: PN: 16400ZZ5024; HPD PN: 16400ZZ5024; Fast Forward PN: FF200-104.*
 - c. *Throttle lever: HPD PN: 17330-F21S-A210; Fast Forward PN: FF200-101.*

- c. *Scavenge pump rotor set: HPD PN: 15450-F21S-A20; Fast Forward PN: FF100-110.*
 - d. *Oil pump: HPD PN: 15100-F21S-A200; Fast Forward PN: FF100-100A.*
 - e. *Scavenge pump cartridge: 15111-F21S-A21; Fast Forward PN: FF100-127.*
 - f. *Scavenge pump port A: HPD PN: 15137-F21S-A20; Fast Forward PN: FF100-101.*
 - g. *Scavenge pump port B: HPD PN: 15139-F21S-A20; Fast Forward PN: FF100-102.*
 - h. *Scavenge pump shaft: HPD PN: 15510-F21S-A20; Fast Forward PN: FF100-103.*
 - i. *Scavenge pump front cover: HPD PN: 15070-F21S-A21; Fast Forward PN: FF100-104*
4. Scavenge drive pulleys must be as supplied by HPD. Drive belt manufacture is unrestricted provided the belt type and dimensions are as specified by HPD.
 5. Hose routing and filter system are unrestricted.
- o. Cooling System
1. Water pump and water pump pulley must be stock Honda Fit parts. No modifications are permitted.
Honda PN: 19200-RB0-003 Pump, water.
Honda PN: 19224-RB0-000 Pulley, water pump.
 2. The water inlet and outlet at engine must be as supplied by HPD. The thermostat is unrestricted provided the housing is not modified. The thermostat bypass may be plugged.
 3. Drive belt manufacture is unrestricted provided it is designed for use with Honda Fit crank pulley.
 4. Radiator is unrestricted.
- p. Electrical Equipment
1. The ECU and engine electrical harness must be as supplied by HPD. No modifications are permitted.
 2. The ECU will be a sealed unit supplied by HPD. The ECU maps and inputs must not be modified. The ECU is capable of being swapped in the case of a protest.
 3. The LC1 ECU supplied by HPD is permitted and must be used with a corresponding lambda sensor supplied by HPD. Implementation date is contingent on SCCA National office receiving necessary and sufficient quantities of support materials.
 4. The LC1 ECU may be used with an LC1-specific chassis harness supplied by HPD or with a current chassis harness using an adapter supplied by HPD.
 5. The current E1 ECU is no longer supported, but competitors may continue to use existing E1 ECUs provided that they are functioning as intended. The E1 ECU must remain sealed and unmodified.
 6. Ignition coils must be stock Honda Fit, PN: 30520-RB0-003. No modifications are permitted.
 7. All sensors related to engine operating parameters and/or supplied by HPD must be used. These sensors, their locations and mounts, and their wiring harness leads may not be altered or "piggy backed". Any sensors required for analog type gauges must be in addition to the HPD supplied sensors.
 8. The alternator must be stock Honda Fit PN: 31100-RB0-004 or HPD part #3100-F21S-A200. The alternator drive pulley must be stock. Alternator connections must be through the HPD engine electrical harness only. The alternator must not be disabled and must be accessible to SCCA officials.
- q. Flywheel
1. The stock Honda Fit flywheel must be used. No modifications are permitted except for normal resurfacing for clutch wear.
 - a. Stock Honda flywheel PN: 22100-RB0-005.
 - b. Minimum weight with ring gear: 14.4 lbs.
 2. The stock Honda Fit clutch must be used. No modifications are permitted.
 - a. Honda PN: 22300-RB0-005; Quicksilver PN: QSHDR-411.
 - b. Minimum weight without friction disk: 7.0 lbs.
 3. Only stock Honda friction disk or friction disk from Quicksilver Race Engines may be used. No modifications are permitted.
 - a. Honda PN: 22200-RB0-005.

9.1.1. Formula Car (FC/FF) Category Specifications

- b. Weight of new friction disk: 2.1 lbs.
- r. Miscellaneous
 1. All emission control devices must be removed and blocked off by the blanking plate provided by HPD, except the VTEC activation valve. The VTEC activation valve must be retained; it must be functioning.
 2. Air filter is unrestricted.
 3. The use of unleaded premium "pump" gas: 91 – 93 RON is recommended.
 4. The use of the following non-standard replacement parts is permitted provided their use does not result in any unauthorized modification of any other component.
 - a. Fasteners – nuts, bolts, screws, washers, studs, etc. Head bolts, rod bolts, flywheel bolts, and crank pulley bolt must be used as provided by Honda and HPD.
 - b. Gaskets and seals, except those specified in the above rules.
 - c. Spark plugs.
 - d. Mechanical tachometer and analog gauges.
 - e. Oil and lubricants are unrestricted. HPD strongly recommends the use of oil and lubricants as described in the Honda Fit factory service manual.
 - f. The oil filler cap may be removed and plugged.

15. Ford NE series and Pinto Engines

The Ford 2 liter single overhead camshaft "NE" series engine and the 1971-74 Pinto/Capri 2 liter single overhead camshaft engine shall conform to the following specifications. The nominal bore is 90.84mm and the nominal stroke is 76.95mm (Note: All blocks shall contain casting number HM6015BA, HM6015AA, HM6015BB, HM6015AB, HM6015DA, or HM6015AD. Dashes in the casting number are not relevant.). Production tolerances are permitted providing the total swept volume does not exceed 2000cc.

- a. The rockers shall remain entirely unmodified. Alternate manufacturers may be used as long as the original materials and dimensions are the same. Camshafts must be from Ford Motor Company, or Crower part #E57553 FF2000, or any camshaft that is a replica of the original and of the same material may be used. Camshaft geometry shall be stock. An alternate optional camshaft, Elgin part number 2000FC, may be used only in the original iron head. Regrinding camshaft lobes is permitted as long as the camshaft lobe center is $112^{\circ} \pm 2^{\circ}$. Offset keys are permitted. Tuftriding or Parkerizing is permitted. Maximum valve lift at determined points by camshaft rotation will be established. The use of a low rate substitute valve spring is permitted. Load characteristics of special checking spring: twelve (12) lbs., at 1.417 inches, thirty (30) lbs., at 1.000 inches. An adjustable camshaft sprocket which retains the same number of teeth and pitch as the stock sprocket may be used.
- b. A standard crankshaft shall be used or any crankshaft that is a replica of the original crankshaft and of the same material may be used. Spot machining to achieve balance is permitted. Tuftriding, Parkerizing, shot peening, shot blasting, and polishing are permitted. Minimum weight: twenty-seven point five (27.5) lbs.
- c. The flywheel shall be a standard component or the approved alternate Elite-001. The minimum weight is 10.5 lbs. with ring gear. The flywheel may be machined to achieve minimum weight. Spot machining to achieve balance is permitted. Flywheel bolts are free and locating dowels are permitted. A 1600 GT starter ring may be fitted. The use of any single plate clutch is permitted provided no modification is made to the flywheel other than changing the points of attachment of the clutch to the flywheel. Carbon fiber clutches are not permitted.
- d. Maximum compression ratio will be controlled as follows:
 1. Minimum Cylinder Head combustion chamber volume 49cc (not including head gasket). Polishing and/or tooling of the cylinder head to achieve only the required combustion chamber volume is permitted.
 2. Standard Ford gasket, Fel-Pro #8361PT, or Ferrea part number G50100 may be used. Gaskets will have a minimum thickness of 0.9mm, minimum diameter of cylinder aperture of 92mm.
 3. Pistons shall not protrude above cylinder block surface at TDC.
- e. It is permissible to reshape inlet and exhaust port by removal of metal within limits. Addition of material in any form is prohibited. Maximum diameter of inlet port at manifold head face 39.5mm. Maximum dimensions of exhaust port at manifold face 35.5mm x 27mm. The distance between the valve centers and the angles of the valves shall not be altered.
- f. Pistons shall be standard Ford Mahle, AE Hepolite, CP,J&E or Wiseco. Pistons must be unmodified in any way except for balancing and as detailed herein.

The following combinations are permitted:

1. Mahle piston P/N 80HM6102LA with rings, pin, connecting rod (with bolts), but without bearings: Minimum permitted weight = 1332.5 grams.
2. Mahle piston P/N 85HM6102DA with rings, pin, connecting rod (with bolts), but without bearings: Minimum permitted weight = 1240 grams.
NOTE: This piston may have either casting #90V108 or #90V118.
3. AE Hepolite piston P/N 21426, casting P/N 21426 (AE Hepolite) with rings, pin, connecting rod (with bolts), but without bearings: Minimum permitted weight = 1240 grams.
4. CP piston P/N IV 2.0 LTR with rings, pin, connecting rod (with bolts), but without bearings: Minimum permitted weight = 1240 grams. Part number and Ivey logo stamped on wrist pin bosses.
5. JE piston P/N M-6102-B200 with rings, pin, connecting rod (with bolts), but without bearings: Minimum permitted weight = 1240 grams.
6. Wiseco piston P/N WD07253 as supplied by Quicksilver with rings, pin, Crower connecting rod P/N SP 93221 (with bolts), but without bearings: Minimum permitted weight: 976 grams."

NOTE: M-6102-B200 piston assembly is now made by JE and is visually different. I.D. Marks: M-6102-B200, Ford racing logo. All marks pin stamped on wrist pin bosses.

Rings are unrestricted provided that:

- A. One oil control and two compression rings are used.
- B. No modification is made to the piston for the installation of the rings.

Localized machining of the gudgeon pin bosses to achieve balance and weight by simple machining; all external surfaces, dimensions, and profiles shall remain standard with the exception of the top surface of the piston crown which may have simple machining to achieve balance, and as required in Section 9.1.1.B.3.d.

- g. Valves may be of Ford manufacture or Ferrea part numbers VSOIN200 and VSOEX2000. Valves shall remain standard; no reprofiling or polishing is permitted.

The original forty-five (45) degree seat angle shall be maintained.

Maximum face diameter inlet 42.2mm.

Maximum face diameter exhaust 36.2mm.

Maximum valve stem diameter 8.4mm.

- h. Full connecting rods may be standard Ford, Cosworth, Oliver, or Crower. The approved Crower part numbers are SP93230B-4 or SP93230PF-4. Standard rod length must be 5.00 inches (+.005" -.010"). Alternative Crower connecting rod part number SP93235B-4 is permitted. Its length must be 5.700 inches (+ or .005 -.010"). This rod may be used only with Wiseco piston part number WD-06526 as supplied by Quicksilver above. Any rod bolts may be used. Floating piston pins may be used. Machining is permitted to remove metal from the balancing bosses to achieve balance only. Tuftriding, Parkerizing, shot peening, shot blasting, polishing, etc., are permitted.
- i. Maximum valve lift against cam angle with zero tappet clearance: (Lift measured in mm)

Standard Camshaft				
Angle	Intake		Exhaust	
	Opening	Closing	Opening	Closing
0	10.442	10.442	10.442	10.442
5	10.36	10.36	10.36	10.36
10	10.11	10.11	10.11	10.11
15	9.69	9.69	9.69	9.69
20	9.11	9.11	9.11	9.11
25	8.37	8.37	8.37	8.37
30	7.45	7.45	7.45	7.45
35	6.38	6.38	6.38	6.38

9.1.1. Formula Car (FC/FF) Category Specifications

40	5.17	5.17	5.17	5.17
45	3.86	3.86	3.86	3.86
50	2.59	2.58	2.58	2.59
55	1.5	1.47	1.47	1.5
60	0.86	0.81	0.81	0.86
65	0.65	0.56	0.56	0.65
70	0.54	0.43	0.43	0.54
75	0.46	0.33	0.33	0.8
80	0.37	0.19	0.19	0.37
85	0.26	0.08	0.08	0.26
90	0.2	0.01	0.01	0.2

Alternate Camshaft				
Angle	Intake		Exhaust	
	Opening	Closing	Opening	Closing
0	11.182	11.182	10.149	10.149
5	11.102	11.092	10.07	10.071
10	10.853	10.821	9.831	9.829
15	10.423	10.363	9.426	9.415
20	9.821	9.721	8.854	8.826
25	9.069	8.916	8.117	8.073
30	8.177	7.955	7.205	7.154
35	7.131	6.85	6.132	6.071
40	5.96	5.624	4.92	4.866
45	4.702	4.313	3.611	3.6
50	3.425	3.01	2.346	2.38
55	2.242	1.851	1.325	1.406
60	1.278	0.994	0.722	0.825
65	0.642	0.509	0.488	0.604
70	0.334	0.307	0.385	0.524
75	0.215	0.208	0.303	0.461
80	0.134	0.13	0.224	0.404
85	0.064	0.063	0.146	0.343
90	0.022	0.024	0.09	0.279

- j. Engines will be mounted upright, and aligned fore and aft in the chassis.
- k. A single carburetor only will be used on a standard inlet manifold. The carburetor will be a Weber 32/36 DGV 26/27mm venturi, its origin being from a 1600 GT "Kent" or 2000 SOHC NE engine. The Holly 5200 32/36 or Weber 38DGES (27mm venturis) carburetor may also be used. Swaged fuel inlet fittings shall be replaced by drilling and tapping the carburetor body for a threaded fitting. The air cleaner may be removed and a trumpet fitted. Jets may be changed, both throttles may open together, cold start devices and diffused bar may be removed, internal and external antisurge pipes may be fitted, and seals on emission control carburetors may be removed. The bottom of the lower column portion of the auxiliary venturi may be machined for purposes of high speed enrichment. No other modifications are permitted. Chokes (venturi) shall remain standard and no polishing or profiling is permitted.
- l. The addition of material by any means to any component is prohibited.
- m. It is permitted, as a means of repair, to replace damaged valve seats and cylinder bores by replacement cast iron valve seat inserts and cast iron cylinder liners; valve guides may be replaced with cast iron or bronze, all to standard dimensions. Repairs to the cam towers to facilitate replacement of cam bearing and/or replacements of broken or cracked towers is permitted as long as the cam bearing center line is

not changed and that one original cam tower is retained. Line boring of cam bearing caps is permitted.

- n. Balancing of reciprocating and rotating parts is permitted only by removal of metal from locations so provided by the manufacturer.
- o. Non-standard rocker covers are permitted providing they in no way improve the performance of the engine.
- p. Standard valve spring retainers shall be used, and single valve springs only are permitted. Shims are permitted, and valve springs are otherwise free.
- q. Exhaust system and manifold are unrestricted, within SCCA safety regulations.
- r. Lubrication system is unrestricted; dry sump is permitted. Localized machining of the cylinder block is permitted to allow fitting of the oil pump.
- s. Oil coolers are unrestricted.
- t. Cooling system unrestricted. The radiator, if housed in or incorporating a cowl air-scoop deflector, shall comply with body regulations.
- u. Fuel Pump: Unrestricted.
- v. Distributors are unrestricted providing they retain the original drive and location. The distributor is defined as the component which triggers the L.T. current and distributes the H.T. current. The Ignition Timing may only be varied by vacuum and/or mechanical means. It is prohibited to use any other method or component to trigger, distribute, or time the ignition.
- w. Only the standard inlet manifold shall be used.

The ports may be reshaped by the removal of metal as long as the following dimensions are maintained: maximum size at head face = 1.437" (36.5mm), maximum size at carburetor flange = 3.405" (86.5mm) x 1.595" (40.5mm). The carburetor seat face may be machined to horizontal in the fore to aft plane. The diameter of the ports may exceed the above listed dimensions if the casting bore is untouched and in its original state. The water passages in the inlet manifold may be plugged. Holes in the inlet manifold resulting from the removal of emission/vacuum lines shall be plugged.

- x. Gaskets and seals are unrestricted except for the cylinder head gasket that has the requirements listed in B.15.d.2. and the intake gasket. The intake gasket thickness must not exceed 1.1mm. Intake gasket is not to be construed as a spacer.
- y. Pump, fan, and generator drive pulleys are unrestricted.
- z. The crankcase breather may be altered or removed, but all breathers shall discharge into a catch tank.
- aa. Mechanical tachometer drives may be fitted.
- bb. Generators are optional.
- cc. Standard oversize and undersize bearings are permitted. This does not allow reducing the bearing surface area by reducing the width of standard bearings.
- dd. The use of non-standard replacement fasteners (nuts, bolts, screws, studs, and washers) which are not connected with or which do not support the intake manifold or any moving parts of the engine is permitted.
- ee. Only modifications or additions specifically covered by these regulations are permitted. All engine components not covered by these regulations shall remain completely standard and unmodified. When a system is specified to be "unrestricted" (e.g. paragraphs r and t), the restrictions of this paragraph do not apply.
- ff. The use of the Fast Forward aluminum cylinder head is permitted. The following dimensions must be maintained.

Intake port maximum volume 70.0 cc.

Exhaust port maximum volume 52.0 cc.

Intake port surface to exhaust port surface 5.580 +/- 0.020 inches

Intake valve center line to (adjacent) intake valve center line 4.015 +/- 0.015 inches

Exhaust valve center line to (adjacent) exhaust valve center line 4.015 +/- 0.015 inches

The machine tool marks in the intake and exhaust ports must remain untouched for 0.750 inches from the respective gasket surfaces.

- gg. Any spark plugs may be used.

16. Ford Zetec Engine

The Ford Zetec ZX3 engine shall conform to the following specifications and may be modified only as specifically allowed. If these specifications do not explicitly allow a modification, then it may not be done. The philosophy of the Zetec engine in FC is to allow limited engine rebuilds but no performance modifications to the engine. Blue printing, balancing, head porting, polishing, etc. are strictly prohibited and against the spirit of the Zetec formula. Where Ford part numbers are specified, normal industry part number supersession is expected and the superseding part numbers are automatically included.

- a. a. The cylinder head may not be ported or polished. Machining the cylinder head is not permitted except as specified in these rules. A standard three- angle "production" valve job is required and the only allowed angles are those defined in the Ford factory manual. The intake valve seats must be 30° 45° 70° with the 45° face a minimum 1.5 mm wide. The exhaust valve seats must be 30° 45° 55° with the 45° seat 1.5 mm wide minimum. Valve seats and guides may be replaced providing that they remain in the original stock locations. The camshaft, valves, springs, and shim/bucket components must be original Ford parts and may not be modified in any way. Only original unmodified Ford parts may be used for direct replacement. The camshafts must remain as ground by Ford; no polishing is permitted. The head may not be surfaced or milled beyond the minimum thickness of 5.230" measured between the cam cover seating surface and the lower plane of the head. Only the Ford #RFYS4E6090AC or RFYS4E6090AD head is allowed. The only allowed camshafts are the Ford #L913B YSAA intake and #L913B C2B exhaust. The original, unmodified Ford camshaft and crankshaft timing pulleys must be used. Required camshaft timings are as follows:

Intake centerline 116-117 degrees ATDC

Exhaust centerline 106-107 degrees BTDC

- b. Only original Ford, Sealed Power #H872cp, United Engine and Machine #SO2763, or Mahle #930169439 pistons may be used. Only original Ford or Eagle #CRS5483F3D connecting rods may be used. The crankshaft may be replaced only with a standard original Ford replacement part. The crankshaft, rod and main bearing journals may be reground or polished for the purpose of installing oversize main or rod bearings. The big end of the connecting rod may be honed to fit .002 inch larger rod bearings. Connecting rod bearings may be replaced with unmodified bearings which are specifically designated for use in this engine. The required original crankshaft main bearing journal dimension is 2.282-2.283 inches and the required original crankshaft rod journal dimension is 1.846-1.847 inches. The corresponding main journal dimensions for oversized bearings are either 2.273-2.274 inches or 2.263-2.264 inches; the corresponding rod journal dimensions for oversized bearings are either 1.837-1.838 inches or 1.827-1.828 inches. The crankshaft centerline to deck dimension is 8.378 inches and may not be altered. The main bearing housing bore is 2.452-2.453 inches and the rod housing bore is 1.9642-1.9650 inches. Only original Ford rod bolts with a minimum weight of 24.6 grams or ARP rod bolts with a minimum weight of 23.5 grams may be used.
- c. Only original stock Ford replacement piston rings (part number 2S4Z6148AA) or Hastings Rings (part number 2M4887 Std) may be used. The ring end gaps may not be altered and must remain as manufactured. All of the rings must be installed including the complete oil scraper assembly. The piston bore may be honed solely to allow piston ring seating. The first and second compression rings must be installed in the positions designated by the manufacturer.
- d. All surfaces on the head, block, rods, pistons, and crankshaft must remain as manufactured by Ford and may not be altered in any way unless specifically provided for in these rules. The original casting marks and cast surfaces must remain as-cast and also meet all of the Ford design values and tolerances as stated in the Ford factory manual or as delineated in these specifications. The block may not be decked. Only Ford Zetec ZX3 blocks with block numbers #RFYS4G6015AA, or #RFYS4G6015AD or #RFYS4G6015AE are permitted. The blocks may be sleeved however all bore tolerances must remain stock or as otherwise provided for in these rules. The required compression ratio is 9.6:1, the required standard bore is 3.3390-3.3420 inches and the required stroke is 3.461 +/- .004 inches. The maximum bore dimension of 3.3420 inch is intended to allow for cylinder wear only. It is not permitted to machine to this dimension. This measurement will be taken .250 below the block deck where the bore is untouched by the piston ring.
- e. Flywheel: The minimum weight is 8.0 lbs. and any weight removal from the specified flywheel must come from the clutch plate surface. The friction and clamping force surface of the flywheel may be resurfaced. Only the Quarter Master #QM107160 flywheel may be used. It is permitted to install a new ring gear on the flywheel.
- f. Any 7¼ inch single plate or double plate, non-carbon fiber clutch is allowed.
- g. Any oil pan is allowed. The oil pan may not contain an oil scraper between the oil pan and the block. No device in the oil pan may be contoured to the crankshaft assembly to function as an oil scraper nor may any device be closer to the rotating crankshaft assembly than 0.500 inches.
- h. Any three-stage oil pump with a maximum of two scavenge stages is allowed. The maximum scavenge rotor dimensions are 1.600 inches in diameter and 1.375 inches in length. The maximum pressure rotor dimensions are 1.600 inches in diameter and 1.025 inches in length.

- i. The exhaust system manifold tubing OD must be 1.5 inches (as measured 1 inch or more from the face of the head) and the manifold tubes must be a minimum of 24 inches in length and must terminate into a single exhaust pipe through a 4 into 1 collector. The collector angles must be the standard 15 degree bend, (30 degree included angle) with an exit diameter of 2 inches. The tail pipe must be a minimum of 24 inches in length. The tail pipe includes a muffler, if present, as long as the inlet and outlet pipes of the muffler are the same diameter as the tail pipe. 4 into 2 into 1 exhaust collectors or reduced diameter venturi sections are prohibited.
- j. ECU: Either the Pectel T2 ECU or the Performance Electronics PE3-8400 ECU is required. Cars that use the Pectel T2 ECU must have an accessible and operable communications port for a stereo jack; cars that use the PE3-8400 ECU must have an accessible and operable communications port for an ethernet connection. The SCCA tune-file/map for the Pectel T2 and PE3-8400 on the official SCCA website is required. The PE3-8400 tune-file/map must be loaded with PE3-8400 Monitor firmware V3.04.35. Competitors may be required to cycle the master switch to kill the engine at the request of a steward on the grid before a qualifying session or race.
- k. Intake manifold and fuel injection components: The Quicksilver Race Engines (QSRE) intake air scoop, intake manifold, throttle bodies, air horns, fuel rail, injector system, pressure regulator and carbon fiber air scoop with filter are required and must be used with no modifications of any kind unless specifically provided for in these rules. (Due to the aging of the air scoops alternative means of securing the filter will be permitted which may include modifications to the debris tube and other mounting hardware. The air scoop however must have a minimum .430 inch operable air bleed at its rear most point.) The only allowed intake manifold and throttle body combination is the #0138 manifold available through QSRE. Only 19 pound fuel injectors may be used and they may not be modified in any way. Fuel injectors may be replaced only with stock Ford injector part number #0280155887 XS4U-AA or Accel injector part number ACC150819.
- l. Intake restrictor must meet FPIR specifications: The QSRE #1975 intake restrictor must be used and may not be modified in any way. The restrictor internal diameter is 1.340. The restrictor is to be placed between the air scoop mounting flange and the intake manifold.
- m. Engines will be mounted and aligned fore and aft in the chassis
- n. The addition of material by any means to any component is prohibited
- o. Non-standard rocker covers are permitted providing they in no way improve the performance of the engine.
- p. Oil coolers are unrestricted.
- q. A liquid cooling system is mandatory, but radiators are unrestricted. The stock water pump may be modified; electric water pumps are prohibited.
- r. Fuel pump is unrestricted.
- s. Gaskets and seals are unrestricted except for
 1. cylinder head gasket, Ford part number XS7Z6051CA or Victor Reinz part number 54502
 2. a continuous o-ring of cross-section of 0.100 inches must be fitted to each intake runner groove between the intake manifold and the head which to ensures that no air by-passes the o-ring seal
- t. Pump, fan, and generator drive pulleys are unrestricted.
- u. The use of non-standard replacement fasteners (nuts, bolts, screws, studs, and washers) which are not connected with or which do not support the intake manifold or any moving parts of the engine are permitted.
- v. Any tapered seat 14mm x 25mm (.984 inch) reach spark plugs may be used.
- w. Ford OEM coil P/N 988Z12029A or any other single OEM type replacement coil is allowed.

17. Transmission

Any transmission may be used with not more than four (4) forward gears and an operational reverse gear. The change gear ratios are unrestricted.

- a. The use of an automatic gearbox is prohibited.
- b. Electronic and/or electro-mechanical assisted gear change mechanisms are prohibited.
- c. Flat-shift, throttle blip/cut out or any other type of "shift assist" whether electronic or mechanical is prohibited.
- d. Paddle shift is prohibited.
- e. Shifting shall be through a mechanical linkage only and shall have no electronic sensors attached or configured for any purpose.
- f. Gearboxes with shafts that are transverse to the longitudinal axis of the chassis are not allowed. The

9.1.1. Formula Car (FC/FF) Category Specifications

sole exceptions are the gearbox final drive (crownwheel) shaft axis and final drive shafts (half shafts).

- g. All change gears must be located in the case aft of the final drive.

18. Final Drive

Any final drive unit may be used except:

- a. Drive shall be to rear wheels only.
- b. The differential shall be of standard "open" type and cannot be modified in any way to limit its normal function. Torque biasing, limited slip, and locked differentials are prohibited.
- c. Electronically controlled differentials are prohibited.

19. Clutch

- a. Formula F: The use of any single plate clutch on the Ford Cortina and Kent is permitted provided no modification is made to the flywheel other than changing the points of attachment of the clutch to the flywheel, and provided that it shall have an operable clutch system. Carbon Fiber clutches are not permitted.
- b. The Honda Fit shall use the clutch specified in Section B.14.

Formula Continental

See B.15 and B.16.

20. Weight

A. Formula F

- 1. Ford Cortina Engine: 1060 lbs.
- 2. Ford Kent and Honda Fit Engines: 1110 lbs.
- 3. Cars running with a sequentially shifted gear box shall add 25 lbs. to minimum weight.

B. Formula Continental

- 1. Pinto Engine: 1190 lbs.
- 2. Pinto with aluminum cylinder head: 1190 lbs.
- 3. Zetec Engine: 1210 lbs.
- 4. Cars running with a sequentially shifted gear box shall add 25 lbs. to minimum weight.

21. Cars Registered Prior To 1/1/86

The following specifications are for cars registered prior to January 1, 1986 and for Technical Inspection only. No cars are to be built to these specifications as of January 1, 1986.

A. Chassis/Frame

The chassis is defined as the frame. It shall be a steel space frame. Monocoque type structures are prohibited. Sheet material affixed to the frame by welding, bonding, or riveting, or by bolts or screws which are six (6) inch centers are defined as stress bearing panels.

FCS

The undertray, for safety reasons, shall be a stress bearing panel. Its curvature shall not exceed one (1) inch. The mountings for brake and clutch pedals and cylinders, and for the instrument panel and the bulkhead (panel) behind the driver may be stress-bearing. No other stress-bearing panels are permitted.

Brackets for mounting components, such as the engine, transmission, suspension pick-ups, instruments, clutch, and brake components, and body panels may be non-ferrous, of any shape, and fastened to the frame in any manner.

Gussets are defined as of steel, fastened to a maximum of two (2) members, and are specifically permitted.

The firewall portion of the bulkhead (panel) shall extend the full width of the cockpit and be as high as the top of the carburetor. Forward facing air ducts may be installed for the purpose of delivering air directly to the engine area. Air duct openings may be located within the cockpit provided the firewall is extended to prevent flame and debris from reaching the driver. (Any shape may be used to form firewall extension.) All firewall inlets shall prohibit passage of flame and debris.

B. Suspension and Running Gear

Suspension is defined as the system of springs, shock absorbers, A-arms, links, etc., supporting the vehicle on its axles. Sway bars, sway bar links, steering rack housings, steering links, etc., are not classified as suspension or running gear for this application.

All components shall be of steel, with the exception of hubs, hub adapters, rear hub carriers, and bearings and bushings. Front hub carrier material shall be of steel or aluminum alloy. The materials for front and rear hub carriers on cars manufactured after January 1, 1983 will be only steel or aluminum alloy. Springs: steel only, Titanium is prohibited.

Shock absorbers: Design: Unrestricted.
Casing Material: Steel or aluminum alloy.

All components which are not defined as chassis/frame or suspension or running gear are unrestricted, unless otherwise restricted by the GCR. Titanium is prohibited.

C. Body

1. Definition of Bodywork

Internally: All visible parts of the passenger compartment.

- a. The bodywork opening giving access to the cockpit shall have the following minimal dimensions:

Length: 60cm (23.622 inches)

Width: 45cm (17.72 inches)

This width extends over a length of 30cm (11.811 inches) minimum. This minimal rectangular opening may exist anywhere forward of the firewall. Forward facing roll bar/cage bracing and required padding will not be considered in these dimensions.

- b. The driver's seat shall be capable of being entered without the manipulation or removal of any part or panel.
 - c. Bodywork, including fuel tanks, shall not exceed a maximum width of 95cm (37.4 inches).
 - d. No part of the bodywork and aerodynamic devices shall exceed the height of a horizontal plane 90cm (35.4 inches) above the ground. The safety roll bar/roll cage and engine air box are not included in this height restriction. Measurements are to be made in any condition, driver on board.
 - e. No part of the bodywork shall extend more than 100cm (39 inches) behind the centerline of the rear axles.
 - f. Any specific part of the car which has an aerodynamic influence on the stability of the vehicle shall be firmly fixed with no provisions for adjustment to vary downforce.
 - g. Side-mounted radiators (behind the front wheels) may extend beyond the 95cm (37.4 inches) limitation, but not beyond a vertical plane passing through the centerlines of the front and rear tires. Any portion of a radiator that extends beyond the 95cm (37.4 inches) limitation cannot be covered with any type of shrouding. Radiators mounted in front of the front wheels are considered front mounted and cannot exceed the 95cm (37.4 inches) limitation.
2. Wings and other airfoil devices which have the principal effect of creating aerodynamic down-thrust are prohibited. Airfoil: Any device or part of a car (excepting normal and conventionally styled bodywork) which has a principal effect of creating aerodynamic downthrust. Within this definition may be included forward facing gaps or openings in the bodywork, but shall not include spoilers in the form of raised surfaces, continuous with the body surface, and not wider than the body surface.
 3. It is the intent of these rules to minimize the use of "ground effects" to achieve aerodynamic downforce on the vehicle. Thus, for the full width of the body between the front and rear axles, the lower surface (surface licked by the air-stream) shall not exceed 2.54cm (1 inch) deviation from the horizontal in any longitudinal section through that surface. (This is not to be interpreted as requiring a floor pan beneath the motor, transaxle, transmission, or final drive housing.) No aerodynamic devices (e.g., skirts, body sides, etc.) may extend more than 1cm (0.394 inches) below the lower surface of the tub or chassis floor to the rear of the front axle. Seat buckets or other protrusions shall not circumvent this rule. It is not permitted to duct air through any part of the bodywork for the purpose of providing aerodynamic downforce on the car. All ducted air for heat exchangers (water/oil) shall pass through those heat exchangers.

9.1.1. Formula Car (FC/FF) Category Specifications

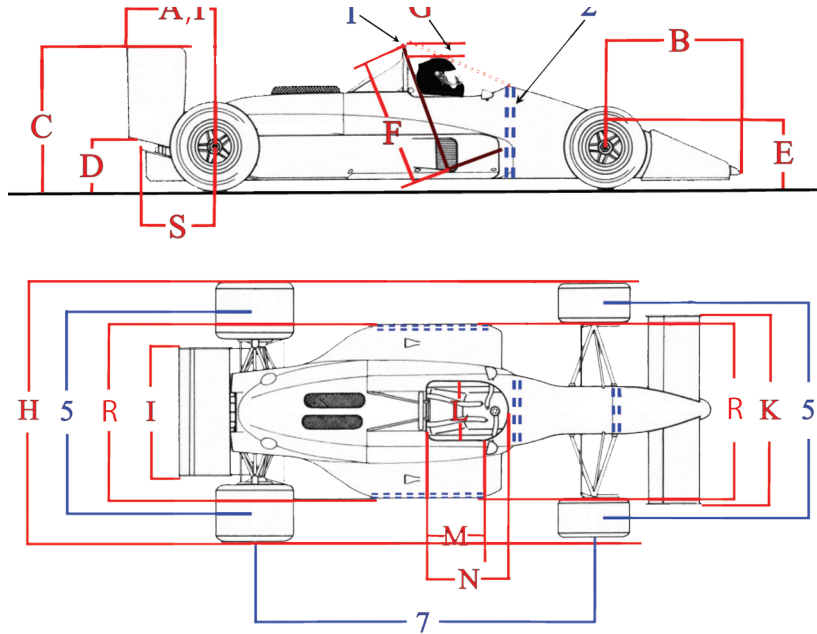
4. Fuel tank air vents shall be located at least 25cm (9.843 inches) to the rear of the cockpit.

FF/FC Dimensions - Table 4	
Dimension (refer to drawing)	Measurement (cm)
A. Maximum rear wing overhang from rear wheel axis	80
B. Maximum front overhang from front wheel axis	100
C. Maximum wing height measured from the ground with the driver on board	90
D. Exhaust height measured from the ground	20-60 FC; 10-60 FF
E. Maximum height of any aerodynamic device forward of the front wheel axis	Rim height
F. Minimum safety rollover bar height inline with driver's spine	92
G. Minimum allowed helmet clearance	5
H. Maximum width - To be taken at the widest point on the wheel at the horizontal axle centerline.	185
I. Maximum rear aerofoil width (includes endplates)	95
K. Maximum nose width	135
L. Minimum cockpit opening	45
M. Minimum cockpit parallel opening length	30
N. Minimum cockpit overall opening length	60
R. Maximum body width behind front wheels	95
S. Maximum exhaust length from rear wheel axis	80 FC; 100 FF
T. Maximum rear body overhang from rear wheel axis	80 FC; 100 FF
7. Minimum wheelbase	200
5. Minimum track	120

F-2000 SPECIFICATION

- | | |
|-----------------------------------|-----------------|
| 1. Safety roll-over bar. | 5. Front track. |
| 2. Substantial support structure. | 6. Rear track. |
| 3. Crushable structure. | 7. Wheelbase |
| 4. Substantial structure. | |

Maximum height is measured with the driver aboard. Maximum height excludes safety rollover bar on which there is no maximum height.



Alternate Vehicle Allowance		
Car	Class	Notes:
Cars complying with English FF rules.	FF only	Car must comply with published English FF regulations (Formula Ford 1600 – Formula Ford Championship of Great Britain: Dated 01/01/2010; Version 1) with notable exceptions: Article 3 (Bodywork & Dimensions) except that bodywork, rear spoiler(s) and any attached components except for suspension components shall not exceed a maximum width of 95cm (37.40 inches) as per 9.1.1.B.4.c; Article 13 (Cockpit); Article 15 (Safety Structure); and Appendix A excepting Wheel width, and ground clearance. Maximum width shall comply with per 9.1.1.B.4.c. Allowed Engines: 1600cc Ford Kent or 1500cc Honda per SCCA rules. Tires, wheels, transmission, weight and all other items not specifically governed by the aforementioned English rules must comply with current SCCA FF rules. Competitors must have the English FF rules in their possession and present same upon request.
Stohr 98 FF	FF only	Homologation numbers 990089 and 990094 permitted allowance for using chassis tubes for radiator water tubes.

NOTES:

C. FORMULA VEE PREPARATION RULES

1. Background

A. History and philosophy of the class

Formula Vee was recognized by SCCA in 1963. The class is highly restricted, originally requiring the use of genuine VW parts "from the standard Volkswagen 1200 Sedan Series type 1, US model sedan as imported by VW" in the engine, drivetrain and suspension. Over the years, the rules have changed slowly to maintain parts availability and allow a gradual evolution of the class. However, the focus remains the same: to provide a cost effective, highly competitive class that, through consistent and tightly controlled component and preparation rules, emphasizes driver ability rather than technological development of the car. Today, as throughout its long history, FV is one of the most highly subscribed classes in SCCA. The goal of these rules is to maintain both the competitiveness and cost effectiveness of the class.

B. Definition

A formula for single seat, open wheel racing cars based on standard Volkswagen 1200 series Type 1, U.S. model sedan (imported by VW) components, and restrictive in specifications so as to emphasize driver ability and preparation rather than design and technology of the car.

Formula Vee is a Restricted Class. Therefore, any allowable modifications, changes, or additions are as stated herein. There are no exceptions. **IF IN DOUBT, DON'T**. Homologation may be required. Refer to section 9.2.2. for details.

No component of the engine, *powertrain*, front suspension, brakes shall be altered, modified, or substituted unless specifically authorized. Mass-produced, direct replacement components may be substituted for the following as long as they are of the same material and dimensionally identical to the original VW components they replace:

- VW transmission components
- Rear axle components
- Front suspension
- Brake components

These replacement parts must be generally available to all competitors and must offer no competitive advantage over the original VW parts. Replacement engine components are allowed as described in section C.5.

Any external surface of the suspension, brakes, and transmission/ rear axle may be painted, plated, or anodized.

Engine components shall be assembled in standard configuration. Exceeding the wear limits specified in the VW manual or other official VW guides is allowed provided that tolerances, dimensions, and specifications stated in the GCR are met.

2. Weight and Dimensions

Minimum weight as qualified or raced, with driver: 1025 lbs.

Wheel base, minimum: 81.5"

Wheel base, maximum: 83.5"

Track, front: Standard VW – maximum 52.500"

Track, rear: 49.125" minimum, 50.750" maximum

Overall length, minimum: 123" (includes exhaust)

Overall length, maximum: 127" (includes exhaust)

Body height at firewall (bottom of frame to top of bodywork), minimum: 25"

3. Suspension

A. The front suspension and steering shall be standard VW Sedan as defined herein, or an exact replica of the same material and dimensionally identical. The following modifications are allowed:

1. Removal or modification of spring packs including the use of ride height adjusters incorporated into the front beam provided they are not adjustable from the cockpit. At least one spring pack shall be retained as the primary spring media for the front suspension.
2. The use of any anti sway bar(s), mounting hardware, and trailing arm locating spacers.
3. The use of any direct acting, tube type shock absorber(s) mounted in a longitudinal, vertical plane and acting through the standard mounting points. Spring shocks and linkage activated shocks are prohibited.
4. Relocation of the steering gearbox to any position utilizing an appropriate mounting structure and replacements of the tie rods. Steering damper mount and/or the steering box locating bumps may be removed.
5. Any desired pitman arm may be used.
6. Steering column may be altered or replaced and any steering wheel may be used.
7. Standard steering arms may be altered or replaced and speedometer cable hole may be plugged.

9.1.1. Formula Vee (FV) Specifications

No other modification of the wheel spindle is permitted. Non-VW replacement spindles shall maintain the same bearing dimensions and locations and shall maintain the geometric relationship between the spindle and the king pin bore and boss.

Wheel tethers are recommended. If wheel tethers are used, a hole may be drilled in the spindle for the purpose of attachment.

8. The rubber portion of the bump stop and any portion or all of the bump stop horn may be removed up to its base at the beam upright.
9. Caster, camber, and toe in/out settings are unrestricted. Offset link pin suspension bushings and alternate locating spacers are permitted. Shims/spacers used solely for camber adjustment are open. Clearancing of the link pin carrier and/or trailing arms to eliminate binding is permitted. No other modifications to the link pin carrier are permitted.
10. No structure, item, or component (including the battery) other than bodywork, can protrude further forward than ten (10) inches from the front of the lower axle beam tube. Any item protruding further than eight (8) inches must include a vertical safety plate. This plate must be constructed of no less than .060" 6061-T-6 aluminum or no less than 16 gauge steel. The plate shall have a minimum frontal surface area of 42 square inches, and shall have a height of not less than four (4) inches and a width of not less than six (6) inches. The plate may have no more than ½ inch curvature or deflection from the vertical plane, and shall be attached to the chassis (frame) at all four corners. The lower braces shall not exceed a 15-degree upward angle when measured from the horizontal plane of the lower frame tubes.

If a vented lead acid battery is mounted in front of the axle beam, it shall be encased in a marine-type container.

It is recommended that the front area of the nose be filled with foam to aid in impact absorption.

11. Alternate spindle from ICP, part number ICPVWS001, alternate spindle from cip1.com, part number C26-412-020 and alternate spindle carrier C26-412-025 are allowed.

- B. The rear axle assembly shall be standard VW sedan as defined herein with axle location provided by a single locating arm on each axle.
 1. The rear axle tube may be rotated about its axis.
 2. Coil spring(s) shall provide the primary springing medium, with telescopic shock absorber(s) mounted inside the spring(s). Cables, straps, or other positive stops may be used to limit positive camber. An anti roll bar or camber control device may also be used. When said anti roll bar or camber control device is removed, the required coil springs shall continue to perform functionally.
 3. The shock absorber mounts may be modified.
- C. Wheels shall be standard fifteen (15) inch X 4J as used on the 1200cc and 1300cc VW sedan as defined herein, or 1967-1973 Type 1, or any steel fifteen (15) inch X 4.5J VW wheel with the same 5-bolt pattern as the standard fifteen (15) inch X 4J wheel, or 4-bolt pattern of the 1967-1973 Type 1, all within the track dimensions of C.2. Wheels may be balanced only by the use of standard automotive balance weights (adhesive or clip on). Hub cap clips shall be removed.
- D. The following tires are required in all U.S. Majors Tour and Hoosier Super Tour events and the National Championship Runoffs:

Fronts

Hoosier #43337 FVS

21.0 x 5.0 x 15

Rears

Hoosier #43353 FVS

22.5 x 5.5 x 15

Rear tires may be used on the front of the car. Tires shall be the same size and design for the right and left sides of the front axle and the same size and design for the right and left sides of the rear axle.

The following rain tire is required:

Hoosier #44266

22.5 x 5.0 x 15 Hoosier WET or W3 (rain)

SCCA Regional Races only - Competitors may run any Hoosier branded FV tire until 1/1/2020 at which time the above designated tires will be required.

4. Brakes

- A. Brake drums, backing plates, and wheel cylinders shall be standard VW Sedan as defined herein, or an exact replica of the same material and dimensionally identical. Ribbed type rear drums (VW Part # N113-501 615 D or ICP Part # 113 501 615 D) may be used in place of the 1200 series rear brake drums. Rear backing plates may be from any Type 1 model year.
- B. These cars shall be equipped with a dual braking system operated by a single control. In case of a leak or failure at any point in the system, effective braking power shall be maintained on at least two wheels. Any master cylinder(s) may be used.
- C. A separate hand brake (emergency brake) is not required. Removal of the hand brake and operating mechanism is permitted.
- D. Front and/or rear brake drums and backing plate assemblies may be replaced with a disc brake conversion assembly as an option. The front spindle/steering knuckle, rear axle, axle tube, bearing housing and bearing retainer/seal assembly must remain per GCR part 9.1.1. A spacer plate or a portion of the rear caliper support may be fitted beneath the bearing retainer to replace the backing plate dimension. If the caliper bracket is attached to the inboard side of the rear axle tube bearing casting with the bearing cap retainer bolts, the casting area around the bolts may be surfaced to achieve an adequate contact surface. Any ferrous alloy, unvented rotor may be used, but must have a maximum diameter of 11.75 in. and a minimum thickness of 0.20 in. The otherwise smooth rotor may have a maximum of three pad cleaning grooves per side. Any ferrous or aluminum alloy caliper and caliper support may be used. The caliper must have no more than four pistons. Brake pads are free. Any hub assembly may be used as long as it can be fitted with part 9.1.1. wheels. The required minimum weight for the complete disc brake assembly is 16.5 lbs. The assembly includes the following components: hub assembly; rotor hat; disc (which may be in two pieces); any hat-to-disc mounting hardware; calipers; bearings (front); pads; caliper bracket; assembly hardware (not including the brake assembly to spindle hardware for the front or the brake assembly to axle housing hardware for the rear); and lugs or studs with nuts.

5. Engine

- A. The engine shall be a standard VW power plant, as normally fitted to VW sedans as defined herein. Any engine part(s), listed by the manufacturer (VW) as a current, superseding, replacement part for the standard VW 1200 series, Type 1, U.S. model sedan and interchangeable with the original part(s), may be used. Turbocharging is not permitted.
- B. The engine/transmission shall be mounted in the chassis with the transmission to the rear.
- C. The following component parts may be replaced with that of other manufacture, provided said part is of the same material, is dimensionally identical, and meets all other tolerances and specifications stated in the GCR.
 1. Engine Case – Type I or Type III style single or dual relief cases only
 2. Cylinder Heads
 3. Cylinders (an O ring for centering is permitted).
 4. Pistons and wrist pins minimum combined weight without clips or piston rings = 330.0 grams.
 - a. Piston material shall be cast aluminum with steel inserts.
 - b. Maximum distance from bottom of wrist pin bore to top of #1 (top) compression ring groove: 1.655 inches (20 mm wrist pin bore assumed).
 - c. Width of #1 and #2 (compression) ring grooves: .100 +.003 inches or -.023 inches (2.0-2.5mm nominal).
 - d. Width of #3 (oil) ring groove: .158 +/- .003 inches (4.0mm nominal).
 - e. Wrist pin offset from centerline: .059 +/- .005 inches.
 - f. Eccentricity of piston below the oil ring groove: .012 +/- .008 inches. Eccentricity shall be defined as the difference between the largest diameter and smallest diameter measured at the same distance from the crown of the piston and below the oil ring groove.
 5. Cam followers Minimum weight = 60.0 grams
 6. Connecting rods with bolts and small end bushing minimum weight = 425.0 grams, and center-to-center rod length = 130 + 0.10 millimeters or -0.25 millimeters. Crower part #SP93280B, BrianCrower, Inc. part #BC6417, and Newland Group part #4M113077 are allowed as direct replacement connecting rods but must meet the same minimum weight and center-to-center rod length requirements as the OEM part.
 7. Oil pump exact replica of any standard VW oil pump

9.1.1. Formula Vee (FV) Specifications

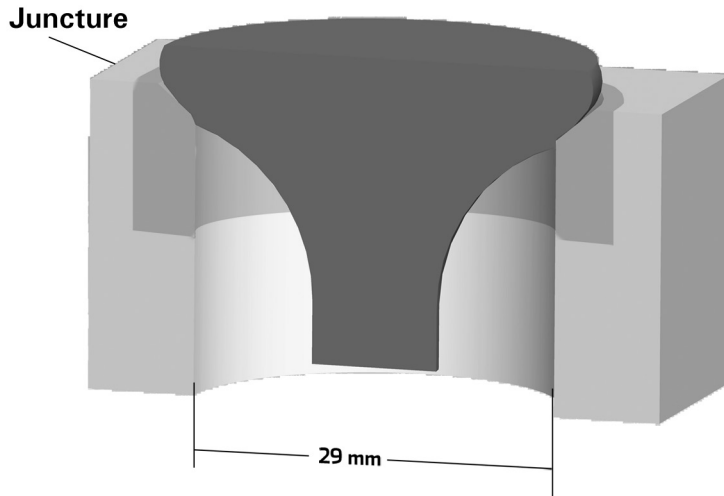
8. Distributor
9. Ignition points or drop-in ignition triggering module (e.g., Pertonix)
10. Distributor cap
11. Fuel pump any standard type VW fuel pump which can be fitted without modification of any other part
12. Crankshaft minimum weight sixteen (16) lbs.
13. Crankshaft gear
14. Flywheel minimum weight twelve (12) lbs.
15. Pressure plate, or alternate SACHS 211 141 025 DAM pressure plate, with a minimum weight of 6.25 lbs.
16. Clutch disc – 180mm nominal diameter only
17. Throw out bearing
18. Push rods
19. Push rod tubes

D. Allowed Modifications

1. Replacement of standard exhaust system with any exhaust system, provided that the closest part of the opening from which exhaust gases exit is an absolute minimum of one (1) inch behind the rearmost part of the body and the farthest part of the opening is an absolute maximum of four (4) inches behind the rearmost part of the body.
2. Lightening of the flywheel to a minimum of twelve (12) lbs.
3. Balancing of all moving parts of the engine, provided such balancing does not remove more material than is necessary to achieve the balance except on those component parts where weights are specified.
4. The crankshaft may be ground and the case may be machined to accommodate the use of standard factory oversize/undersize crankshaft bearings, provided the crankshaft location is not changed.
5. Where minimum weights are specified, any lightening is permissible provided the original part complied with the dimensional restrictions set forth.
6. The following standard dimensions and tolerances of engine components are included as information and shall be observed:
 - a. Maximum bore: 3.040 inches
 - b. Stroke: 2.520 inches +/- 0.005 inch.
 - c. Minimum capacity of combustion chamber in head: 43.0cc (Polishing and/or tooling is prohibited.)
 - d. Minimum depth, top of cylinder barrel to top of piston: 0.039 inch.

The above dimensions may be achieved by machining any previously machined surface, provided that the total surface is machined on the same plane as the previously machined surface. The above dimensions shall be the average of all four (4) cylinders.

7. Complete or partial removal of any cooling duct component. Removal of the fan and the fan housing. Fan belt origin is unrestricted. The use of a fan belt is optional.
8. Installation of a spark plug hole repair utilizing standard thread repair methods, such as Helicoil or welding and rethreading is permitted providing that the spark plug centerline is not changed. The original size and shape of the combustion chamber must be maintained.
9. Polishing of the intake and exhaust ports, provided such polishing does not enlarge the intake port beyond 29mm (1.142") inside diameter and the exhaust port beyond 33mm (1.299") inside diameter. The measurements are to be taken at the juncture of the seat insert and the aluminum port material, and at the manifold face. Valve seat angles shall be machined as specified in the official VW Workshop Manual.



10. Replacement of intake and exhaust valve seats is allowed for the purpose of repair only. Valve Seats may not be moved from their original position. Welding is allowed to facilitate repair and installation of replacement seats. The original size and shape of the combustion chamber must be maintained. Installed seats may neither be proud or recessed of the combustion chamber surface.

Seat Dimensions				
	VW O.D. (inches)	Max O.D. (inches)	Max I.D. (inches)	Max Depth (inches)
Intake	1.385	1.495	1.142	0.395
Exhaust	1.265	1.365	1.299	0.395

Inside diameter of intake seat shall be 1.142" at the juncture of the seat to the aluminum on original seats. A depth of 0.340" from the combustion chamber on replacement seats. This is to allow blending of the seat to the port. Valve seat angles may not be larger than the outer diameter of the original VW seat (1.385" intake, 1.265" exhaust).

11. The following standard dimensions are included for information only and must be observed:
- Exhaust valve diameter: 1.18 inches
 - Intake valve diameter: 1.24 inches
 - Reprofiling of valves is not permitted.
12. Alternate exhaust valves are allowed provided the dimensions and materials are the same as standard (VW) exhaust valves.
13. In addition to the original VW manufactured valve, any mass produced, replacement intake valve may be used provided the material, profile, and finish remain essentially identical to the original VW valve, including the prominent lip at the inner edge of the valve seat. The valve must also meet the following dimensions:

stem diameter	0.305 inches minimum, measured just below the keeper grooves
head diameter	1.24 inches maximum
length	4.450 inches maximum
valve face width	0.090 inches
distance from combustion chamber face to seat surface (including any chamfer at valve head)	0.020 - 0.090 inches

9.1.1. Formula Vee (FV) Specifications

stem diameter within 1.25 inches of the head of the valve	0.293 inches minimum
---	----------------------

14. Valve springs are unrestricted providing:
 - a. No more than one spring shall be used per valve.
 - b. Any steel spring cap and retainers may be used.
 - c. Spring shall be made of steel.
 - d. Valve spring shims may be used.
 - e. The circumference of the valve guide boss may be machined to accommodate the inside diameter of the valve spring.
15. Rocker arms may be lightened to a minimum weight of 80.0 grams. VW parts must be used, from 1200, 1300, 1500 or 1600 Type 1 engines; 1:1 or 1.1:1 ratios only. Valve adjuster screws are open. The end of the screw that contacts the valve may be profiled but must maintain the design and integrity of the original VW part. Swivel feet, elephant's feet, rollers or any other similar pieces are not allowed.
16. Rocker arm shafts may be modified or replaced by those of other manufacture, including shafts that replace the stock clips with a solid center spacer and bolt on end caps/washers. Wave type spacer washers may be replaced by solid steel type flat washers.
17. The rocker arm shaft assembly may be shimmed out on the cylinder head mounting studs by placing appropriate shims between the cylinder head mounting boss and the blocks on the rocker arm shaft assembly.
18. Valve covers are unrestricted and may be bolted on.
19. Fitting of any standard Solex 28 PCI or 28 PICT carburetor and any jets and emulsion tube may be used. Any venturi of standard VW/Solex dimensions may be fitted without alteration to the carburetor body. The venturi shall be fitted in the standard position, but its internal diameter may be machined. The carburetor may be rotated 180 degrees about its vertical axis. Modification of the float is allowed as long as no change is made to the float chamber and/or float valve.

The carburetor must remain untouched with the following exceptions:

- a. No material shall be added.
 - b. Bead blasting is permitted for cleaning only.
 - c. Throttle shaft Shall be a minimum of 0.185" with throttle plate installed. Machined sides shall remain flat and parallel with no chamfering or radiusing.
 - d. Throttle Plate Shall be a minimum of 0.053", flat and parallel with no chamfering or radiusing. Diameter shall be a minimum of 1.095 inches.
 - e. Carburetor Top The junction of the bowl and bore may be radiused. The bore beneath the radius shall be a maximum of 1.120 inches. Accelerator pump boss shall remain original. The orifice in the base of the accelerator pump boss shall not allow a #56 (0.046 in.) drill bit to pass through (maximum hole diameter shall be less than 0.046 in.).
 - f. Carburetor Body The removal of mold flashing from cast surfaces, including the emulsion tube carrier (holder), is permitted, but no additional material is to be removed. The emulsion tube carrier (holder) must not be otherwise modified. Bore diameter from throttle shaft down shall not exceed 1.110 inches.
 - g. Carburetor air cleaner and choke mechanism may be removed. Choke shaft holes may be plugged. Plugs may not protrude into the choke bowl.
20. US imported VW Type 1, 1200 sedan manifold must be used. The manifold heat riser tube and heat sink shall be removed. Removal of metal from the interior of the intake manifold and the interior rust-proofed is permitted provided that the following dimensions are not exceeded.
- See Figures 1 and 2 at the end of this subsection for application of certain measurements specified herein.
- a. Down tube: The O.D. of the down tube shall be measured at two different locations within an area between 0.500" and 2.000" above the horizontal manifold tube. Each measurement shall be taken four times rotating around the circumference of the tube starting at an arbitrary 0 degree location followed by additional measurements at approximately 45, 90, and 135 degrees relative to the 0 degree position (the two measurement locations do not have to be started at exactly the same rotational position), and averaged.

The averaged O.D. of the down tube shall not exceed 1.140". Removing material from the outside of the manifold to achieve the legal dimension is not permitted. Removal of the manifold down tube from the horizontal tube is prohibited. The original factory furnace bronze attaching process and original factory bronze repair material MAY be visible, inside and outside the manifold.

- b. Horizontal tube: The O.D. of the horizontal tube shall be measured at four different locations on each side of the down tube. The area to be measured on each side of the down tube is defined as being between the bend and a point that is 1.500" from the center of the down tube connection, all measurements to be within the 17.75" bend-to-bend distance as noted below. Each measurement will be taken four (4) times at each location, starting at an arbitrary 0 degree location followed by additional measurements at approximately 45, 90, and 135 degrees relative to the 0 degree position (the four measurement locations do not have to be started at exactly the same rotational position), and averaged. The averaged horizontal tube dimensions shall not exceed 0.994". Removing material from the outside of the manifold to achieve the legal dimension is not permitted.

The tubes making up the manifold must also meet the following requirements:

1. The minimum bend-to-bend distance is 17.75" (Bend-to-bend distance is the distance between points along the horizontal tube where the 0.994" OD, as described above, is first exceeded.)
2. At no point in the bends of the horizontal tube may the average O.D. exceed 1.070". Measurements will be taken four (4) times at each location rotating around the circumference of the tube starting at an arbitrary 0 degree location followed by additional measurements at approximately 45, 90, and 135 degrees relative to the 0 degree position, and averaged.
3. The maximum carburetor flange height is 9.25" (measured from the intake cylinder head sealing surface to the centerline of the top of the carburetor flange).
4. The maximum deviation from straight along the 17.75" bend-to-bend section of the horizontal tube is 0.25".

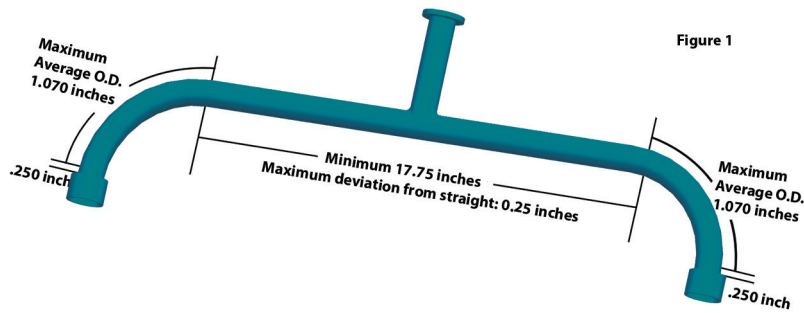


Figure 1

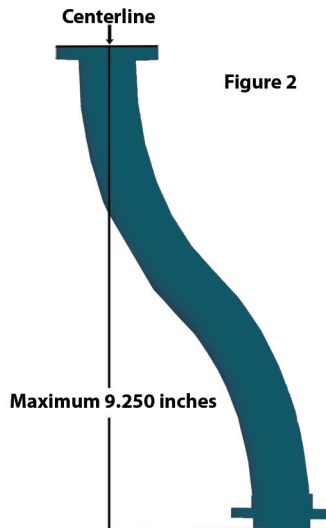


Figure 2

9.1.1. Formula Vee (FV) Specifications

- c. The finished, race prepared, manifold shall not weight less than 24 ounces. Intake manifolds may be repaired. Repaired manifolds shall start at 24 ounces BEFORE repair. The addition of excessive material to achieve the minimum weight is not permitted. Manifolds that have not been repaired shall retain the 1.070 inch averages from where the tube exits the 2-hole flange through the entire manifold bend. The area of the 0.250 inch dimension in Figure 1 above is considered to be the average length of the tube where most repairs have been made. This area may vary slightly among manifolds; discretion should be used by scrutineers to determine if the repair is excessive. Inspection of the inside of the manifold in this area will aid in this determination. Enlarging the inside of the manifold and attempting to hide it with repair material is not permitted. The measurement averaging (in b.2 above) shall start just above the repaired area and continue through the manifold bend.
 - d. All exterior surfaces shall be in original condition. Bead blasting is permitted for cleaning only. Manifolds may have a thin, transparent or translucent coating of rust proofing material applied. Discoloration or darkening of the manifold itself from heating or aging, or yellowing of coatings with aging, is allowed. Other than the allowed coating for rust protection, any other type of coating including conversion coatings are prohibited. Removing material from the outside of the manifold to achieve the legal dimensions is not permitted.
 - e. Matching of manifold flanges (to the ports) is permitted. Seal rings or "gaskets" of any type are acceptable as long as the bottom of the manifold flange is not raised above the cylinder head casting around the port opening. Removal of the manifold flanges that connect the manifold to the cylinder head is prohibited. Factory "VW" casting marks surrounded by a circle and VW casting numbers shall be visible on the bottom side of the flanges, closest to the head. No repair material of any type shall be visible or cover these markings on the bottom of the flanges. Factory furnace Bronze and manifold repair material may be visible where the horizontal tube enters the top of the flange. The exterior dimensions of these flanges must not exceed 2.990" x 1.360".
21. Voltage regulator, generator, and/or generator stand may be removed.
 22. Fitting of any standard VW distributor (not restricted to 1200, series) may be used. Use of any standard 6- or 12-volt non transistorized ignition coil is allowed. Coil mounting location is unrestricted.
 23. A VW "D" camshaft, Part Numbers 113 109 015D, 113 109 017D, 113 109 019D, 113 109 021D, 113 109 023D, 113 109 025D, 13 109 027D, or an exact replica of the same material and dimensionally identical shall be used. The maximum lift at the valve spring collar with zero valve clearance is as follows:
 - a. Intake .354" + 0.000"
 - b. Exhaust .3365" + 0.000"

The camshaft profile shall match those which are specified by the official SCCA camshaft plots, plus or minus .002 inch. It is permitted to regrind the camshaft to duplicate the official SCCA profile. In so doing, the relationship between the centerlines of peak lift at the exhaust/intake lobes shall remain at 214 degrees fifteen (15) minutes, plus or minus 1degree. (Reference the Official SCCA Camshaft Checking Procedure). The camshaft timing may be changed in relationship to the crankshaft by utilizing an offset key at the crankshaft timing gear. The camshaft timing may also be changed in its relationship to the crankshaft by utilizing an adjustable cam gear that retains the existing helical gear thrust angle and that is statically adjustable only (e.g., no dynamic adjustment mechanisms that respond to engine speed changes). Camshaft timing is unrestricted within the restrictions provided as authorized above. The camshaft profile shall be checked using the official procedure published by the SCCA.

24. The crankcase may be machined to permit the use of standard VW camshaft bearing inserts, provided that camshaft location is not changed.
25. Crankshaft pulley is unrestricted and may be fitted with an oil seal. The engine case may be machined to facilitate the installation of an oil seal.
26. The installation of baffles housed completely within the original oil sump and crankcase.
27. The use of any oil temperature indicating device.
28. The oil pump cover may be modified or replaced.
29. An oil sump extension may be fitted to the engine with a maximum internal volume not to exceed 1500cc. In operation, all movement of oil and crankcase air in and out of the extension shall be through the original oil strainer cover opening of the engine case. No additional openings in the extension are allowed above the plane of the oil strainer flange of the engine case. The oil pump pickup pipe may be extended into the sump extension. Any baffling is allowed within the extension and may extend between the engine case and the sump extension through the original oil strainer

opening. Any sump may not extend below the frame rails of the chassis when viewed from the side. Accumulators (Accusump) may be fitted.

30. Replacement of oil galley plugs with threaded plugs.
 31. A single standard automotive oil filter of not more than one quart total capacity, and a suitable mounting bracket and by-pass valve may be installed. Modification to the lubrication system to facilitate installation of the oil filter is permitted. All components shall be contained within the body to the rear of the firewall.
 32. Any oil cooler is allowed. Oil coolers shall be mounted completely inside a plumb line extending downward from the outermost edge of the bodywork.
 33. An alternate oil pressure regulator spring and/or shims may be used.
 34. The standard clutch operating arm may be modified to allow its attachment in any appropriate position. Dowel pinning of the clutch pressure plate to the flywheel is permitted.
 35. The use of any starter is permitted provided it can be fitted without any modification to the engine/transmission.
 36. A tapped hole for the installation of a Cylinder Head Temperature (CHT) sensor may be added to the cylinder head adjacent to the spark plug, provided that the tapped hole does not penetrate through the casting into the combustion chamber.
 37. In addition to repairs and modifications specifically authorized in the FV rules, engine cases and cylinder heads may be repaired within the definition of "repair" in Appendix F. Technical Glossary. Any such repairs shall provide no competitive advantage and shall not allow the fitment of any alternate part unless specifically authorized in the FV rules.
- 6. Transmission/Rear Axle**
- A. The transmission/rear axle assembly shall be standard VW sedan, as defined herein.
 - B. The synchromesh components shall be in place and operating on at least three gears.
 - C. Reverse gear shall be operable from the driver's seat.
 - D. Transmission shall not be installed in an inverted position.
 - E. The differential cannot be modified in any way to limit its normal function. Torque biasing, limited slip, and locked differentials are prohibited.
 - F. Allowed modifications:
Installation of any standard VW gear set which can be fitted without modification of any component of the transmission or of the gear set itself and the transposing of the ring gear to provide proper axle rotation. Permanent attachment of the synchro sleeve to 3rd and 4th gears is permitted.

Fully synchromeshed transmission			
Gear	Part Number	# of Teeth	Ratio
1st	113 311 251A	10:38	3.80
2nd	113 311 261	17:35	2.06
3rd	113 311 275	22:29	1.32
	113 331 275B	23:29	1.26
	113 331 275A	23:28	1.22
4th	211 311 341	28:23	0.82
	113 311 341	27:24	0.89
Ring & Pinion	211 517 143A	8:35	4.375
	311 517 143B	8:33	4.125
Partly synchromeshed transmission			
Gear	Part Number	# of Teeth	Ratio
1st	113 309 251	10:36	3.60
2nd	113 309 261A	17:33	1.94
	113 309 261	17:32	1.88
3rd	113 309 275	23:28	1.22

9.1.1. Formula Vee (FV) Specifications

	113 309 275A	22:27	1.23
4th	113 309 341A	28:23	0.82
Ring & Pinion	113 517 141B	7:31	4.43
There are different part numbers for various gears in addition to the ones listed here. This in general indicates changes on the parts such as:			
Gear	Part Number	Ratio	Comment
4th	113 311 341	0.82	with key way
	113 311 341A	0.82	with splines
Ring & Pinion	113 517 143	4.125	6 mgt bolts
	113 517 143	4.125	8 mgt bolts
However, there are no other standard ratios than the ones listed here. A gear removed from a transmission can be identified by the number of teeth.			

7. Ballasting

Ballasting is permitted, per GCR.

8. Frame

- A. The frame/chassis shall be constructed of steel tubing of a maximum diameter or width of 4 inches and be of a safe and suitable design.
- B. The driver's feet shall not extend beyond the rear of the front axle beam tubes.
- C. There shall not be frame/chassis rigidity or strength derived by means other than the frame tubes. Stressed skin, monocoque, or semi monocoque construction is not permitted, except that:
The firewall panel and undertray(s) may be rigidly attached to the frame tubes.
- D. The undertray (belly pan) from the nose to the rear roll hoop shall not be wider than the bodywork at the bottom of the frame rail or no more than 1/4 inch wider (on each side) than the frame rail when the undertray has an upward turned edge that facilitates mounting the undertray to the chassis or that facilitates mounting the body to the chassis.
- E. Engine bay undertrays shall be no wider than the frame rails in this area or no more than 1/4 inch wider (on each side) than the frame rail when the undertray has an upward turned edge that facilitates mounting the undertray to the chassis or that facilitates mounting the body to the chassis.
- F. Any undertray(s) between the axle center lines shall be rigidly attached to the frame provided the curvature of said tray(s), measured vertically from the lowest point to the highest point at their attachments to the frame rail members at their sides, shall not exceed 1 inch and have no downward turned edges.
- G. Transmission undertrays for cars with a rear subframe shall be no wider than the subframe or no more than 1/4 inch wider (on each side) than the subframe when the undertray has an upward turned edge that facilitates mounting the undertray to the subframe or that facilitates mounting the body to the subframe or 16 inches, whichever is wider. For cars without a subframe, the tray shall be no wider than 16 inches and shall not deviate more than 1 inch from the horizontal plane. Undertray must be firmly attached and have no downward turned edges.
- H. The area between the upper and lower main frame tubes from the front instrument/dash roll hoop bulkhead to the rear roll hoop bulkhead shall be protected by at least one of the following methods to prevent the intrusion of objects into the cockpit. Panels may extend to the forward most bulkhead, but must otherwise comply with these regulations.
 1. Panel(s), minimum of either .060 inch heat treated aluminum (6061-T6 or equivalent) or 18 gauge steel, attached to the outside of the main frame tubes.
 2. Reinforced body, consisting of at least two layers of 5 ounce, bi-directional, laminated Kevlar material incorporated into the body which shall be securely fastened to the frame. (5 or more layers are highly recommended.)

For either method, fasteners shall be no closer than 6 inch centers (no stress-bearing panels). The material used for the chassis braces in this area shall be at least equivalent to the roll hoop brace material.

3. Flat composite panels of uniform thickness and construction attached to the outside of the main frame tubes. Shaping of these panels to conform to the outer perimeter of the main frame tubes is permitted. Carbon fiber is permitted; however, it must be used in conjunction with another "anti-ballistic" type material (e.g., Kevlar, Zylon, etc). Such material shall be at least 1.5mm (.060

inches) in thickness not including the carbon fiber.

Composite anti-intrusion panels shall be attached with no more than eight fasteners per side. Fasteners shall be AN or superior grade of not more than 0.25 inch diameter. Two flat or countersunk Mil Spec or SAE washers of no more than 1 inch diameter may be employed with each fastener. Ten fasteners per side are permitted if the panels extend to the front bulkhead.

Alternatively, FIA mounting is permitted as follows:

One panel shall be permitted per side. It shall be fastened to the frame at its extreme corners, the upper, lower, forward and rearward edge halfway between the corners, and halfway along each diagonal tube. The attachment should consist of an 8mm U-bolt and an aluminum plate 3mm thick, 20mm wide and 12mm longer than the U-bolt span.

Composite panel mounting must comply with one or the other above prescribed methods. It may not be a combination of the two.

9. Body

- A. The chart (figure - Section C.12) illustrates both the intended minimum frontal area and car configuration.
- B. The rear bodywork shall enclose the engine by surrounding it from a point no higher than the lower edge of the intake manifold and extending from the front of the engine to its rear on each side.
- C. The rear bodywork must have the ability to enclose the original Volkswagen fan shroud mounted in its stock location (see illustration in Section C.12).
- D. The top of the rear bodywork shall extend from the back of the firewall to a point at least 16 inches to the rear of the centerline of the rear axle.
- E. Any bodywork forward of the center of the torsion bar tubes shall not extend outward beyond the centerline of the shock towers (maximum width of 31.75 inches or 80.645cm).
- F. No part of the frame or bodywork shall project beyond a plane connecting the vertical centerline of the front and rear tires.
- G. The driver's seat shall be capable of being entered without the removal or manipulation of any part or panel, with the exception of the steering wheel and/or driver's head surround. The steering wheel and the surround must be removable by the driver and/or safety workers without the use of any tools. Readily legible removal instructions for safety workers are recommended. Bead seats are recommended.
- H. Wings (airfoils) are prohibited.
- I. Floor and safety equipment shall conform to Section 9 of the GCR.
- J. A firewall to prevent passage of flame and debris between the engine area and driver's compartment shall extend the full width of the cockpit and be at least equal to the top of the carburetor in vertical height.
- K. Air ducting may be attached to the carburetor and/or the engine. Brake ducts are not permitted.
- L. Forward facing air ducts may be installed for the purpose of delivering cooling air directly to the engine, cylinder heads, oil cooler, and/or carburetor. If these ducts are within the profile area defined in Section C.12, then the ducted air must make a 90 degree bend within the bodywork.
- M. Air duct openings may be located within the cockpit area, and/or penetrate the firewall, provided the duct is baffled or the firewall is extended to prevent flame and debris from reaching the driver. Any shape may be used to form firewall extension. Any other firewall inlet shall also prohibit passage of flame and debris.
(Recommended: All of this extension be the same width as the firewall, allowing for bodywork contour limitations, and extend in a horizontal plane back 2 inches, minimum, past the carburetor body.)
- N. The bottom of any bodywork that extends below the frame members shall be on the same flat plane as the undertray (ref. C.8) and shall not deviate from that flat plane by more than 1 inch front to rear effective for any newly registered cars after January 1, 1983.
- O. The space between the rear locating arm and axle tube up to the outer casting flange may be enclosed in bodywork for the purpose of streamlining. The enclosing bodywork may not extend above or below the triangular space nor beyond the axle tube or locating arm away from the triangular space so enclosed except that the panels may be wrapped tightly around the locating arm or axle tube as a method of location or attachment. The panels shall be securely attached. Brackets and fasteners used for attachment shall serve no aerodynamic purpose.
- P. The front suspension upright(s) (shock absorber mounts), shock absorbers, and/or trailing arms shall not be faired in by covering or shrouding away from the air-stream except that the front shocks may

9.1.1. Formula Vee (FV) Specifications

be mounted behind the shock uprights.

- Q. Bodywork shall be defined as all panels external to the chassis/frame and licker directly by the air stream. This includes the floor pan. All bodywork shall be securely attached to the chassis and shall not move relative to the chassis while the car is in operation, except where specifically allowed in the FV rules. For the purposes of this definition, the rigid portion of the front beam is considered part of the chassis/frame.

10. Non-Standard Parts

The use of the following non standard replacement parts is permitted provided that no unauthorized modification of any other component results.

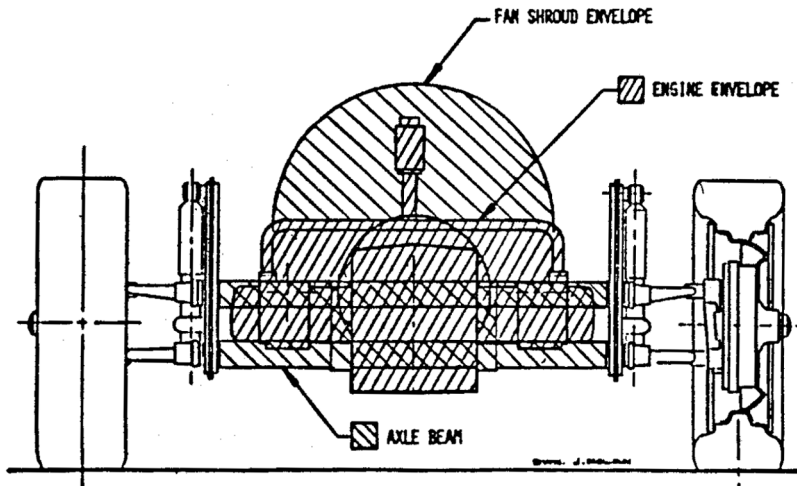
- A. Fasteners (nuts, bolts, screws, etc.)
- B. Wiring
- C. Gaskets and seals
- D. Brake lines and fuel line
- E. Spark plugs (maximum ½ inch reach)
- F. Piston rings
- G. Wheel bearings
- H. Connecting rod bearings and crankshaft main bearings of same type and size as standard VW
- I. Brake shoes and brake lining
- J. Valve guides

11. Battery

- A. The use of any single 6- or 12- volt battery is permitted to power the starter, engine ignition system, gauges and/or data acquisition system, video cameras/recorders and communications equipment.
- B. Any secondary batteries are only permitted to run video cameras/recorders, communications equipment and/or gauges and data acquisition systems.
- C. If an accumulator (Accusump) is in use in the vehicle, it is permitted to power an electric accumulator (Accusump) valve with the vehicle batteries.

12. Front View

The following illustrates a fan shroud in its stock location.



D. FORMULA 600 PREPARATION RULES

1. Definition

A class for single seat, open wheel, limited suspension race cars using either a snowmobile-derived engine and drive components or a 600cc motorcycle engine. Specifications are restrictive in nature in order to emphasize driver ability, rather than design.

Formula 600 is a restricted class. Therefore, any allowable modifications, changes, or additions are as stated herein. There are no exceptions. **IF IN DOUBT, DON'T.** Homologation may be required. Refer to section 9.2.2. for details.

2. Weight and Dimensions

Minimum weight as qualified and raced with driver.

Wheelbase:	Maximum	80"
Overall Length:	Minimum	110"
	Maximum	150"
Overall Width:	Minimum	50"
	Maximum	55"
Weight:	see spec line at end of section	

3. Suspension shall be restricted and of a safe, suitable design. "Restricted" is defined as follows:

- A. There shall be no springs or shock absorbers acting either directly or indirectly between the frame/chassis and axle.
- B. Rear driving axle shall be of solid or tubular steel or 7075-T6 aluminum. Axle shall be one piece live axle, driving both rear wheels. Trailing arms are allowed. Differentials and/or slip joints are not permitted. The object of E.3.B., is to eliminate independent rear suspension of any type, or provision for lateral movement of the axle shaft to facilitate independent-type suspension.
- C. Blocks, bushings, and/or mounts of rubber or similar material shall be used to isolate engine and drive assemblies, and/or axles from vibration, shock, or track irregularities. The number of mounts shall not exceed one (1) per wheel and shall not exceed 1.0 inch in thickness in uncompressed state nor shall they be stacked. The diameter of the mounts shall not exceed two (2) times their thickness. The mounts shall carry the weight of the car. Installation will be evaluated on compliance with both the letter and the intent of this provision.
- D. Front axle(s) design and/or mounting configuration shall be such that the axle(s) does not function as a torsion bar. Split-axle/independent front suspension is permitted so long as suspension control is effected solely by the mounting defined herein.
- E. Anti-sway bars are not permitted.

4. Brakes

Brakes shall be foot-pedal operated, hydraulic disc or drum-type, acting on all four wheels. The brakes shall be a dual system, arranged in a manner to provide braking for at least two (2) wheels in the event of failure in part of the system.

5. Steering

Steering is unrestricted provided it is of a safe and suitable design.

6. Transmission and Final Drive

A. Snowmobile derived engines

Transmission of power from the engine to the rear wheels shall be through an automatic torque converter type, centrifugal variable ratio drive, using a belt and/or drive chain and centrifugal clutch. Sprocket and/or pulley diameters may be changed to alter the drive ratio. No electronically or driver controlled variable drive is permitted.

B. Motorcycle - engines

1. Only rear wheel drive is permitted.
2. The final drive ratio is unrestricted. Internal transmission gears shall remain stock.
3. Engines must use the sequentially shifted motorcycle transmission as supplied with the engine. Reverse gear is not required.
4. All gear changes must be initiated and completed by the driver. Only mechanical gear shifting mechanisms are permitted. This may include cables, rods, or other mechanical linkage systems. All other shifting mechanisms are not permitted. This prohibition shall include electric solenoid shifters, air-shifters, and other devices not mechanically actuated and controlled completely by the driver. Devices that allow pre-selected gear changes and closed-loop systems that use feed-

9.1.1. Formula 600 (F600) Specifications

back from sensors to vary the timing of the gear selection process are also prohibited.

Devices that interact with the throttle, ignition, or fuel system during a shift operation (for example: ignitions cuts, flat shifters, blippers) are permitted, but no such devices shall remove the driver's control of the gear change initiation, gear selection or completion. The burden of proving that a device is in compliance with this rule shall be upon the competitor.

5. The clutch assembly is unrestricted except that the clutch engagement system shall be operated solely by driver input and may be mechanical or hydraulic in nature. The driver's hands or feet must manually operate the clutch and there shall be no operation of the clutch by any assisted method. There shall be no modifications to the engine/transmission to enable the use of replacement clutch components or assemblies.
6. Mechanical throttle mechanisms must be used on all engines. Computer, electronic or pneumatic control of the throttle position is not permitted.
7. The use of jackshafts to transmit power from the output shaft to the rear axle is permitted.
8. Final drive chain tensioners are permitted.

7. Frame/Chassis

The frame/chassis assembly shall be constructed of steel tubing, and shall be of a safe and suitable design. The monocoque-type chassis is permitted but shall have reinforcement plates at all points of attachment for axles, engine, drive components, roll cage, and driver restraint system. There shall be a bulkhead incorporated in the chassis forward of the soles of the driver's feet with the pedals depressed. Forward-facing braces protecting the driver's legs and feet shall extend from the front roll hoop to the front bulkhead, unless foot protection is provided in accordance with 9.4.5.G.1.B.

The soles of the driver's feet shall not extend beyond the front edge of the wheel rims (in normal position; i.e., pedal not depressed).

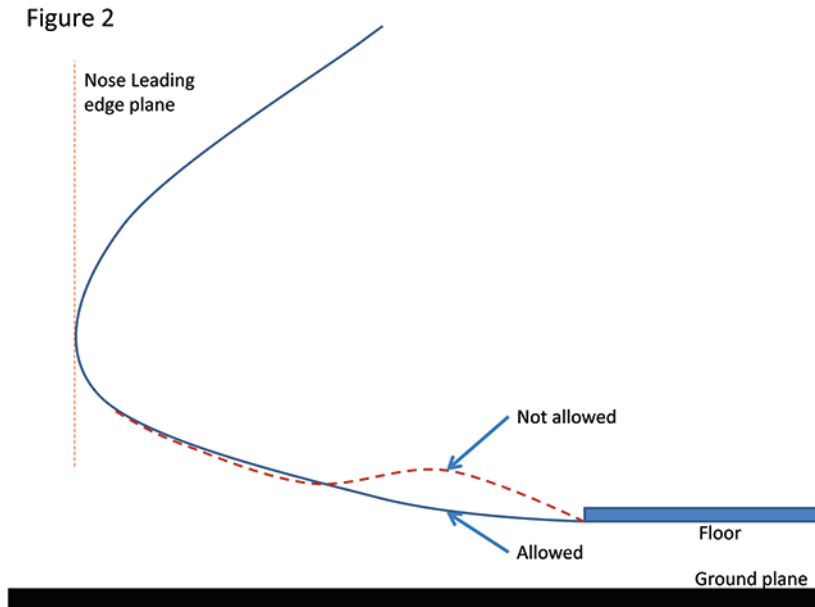
8. Roll Cage

Cars shall have a full roll cage complying with section 9.4, made of steel, designed so that when viewed from overhead, an opening, having a minimum width of fourteen (14) inches and a minimum length of seventeen (17) inches is available for driver extraction under emergency conditions.

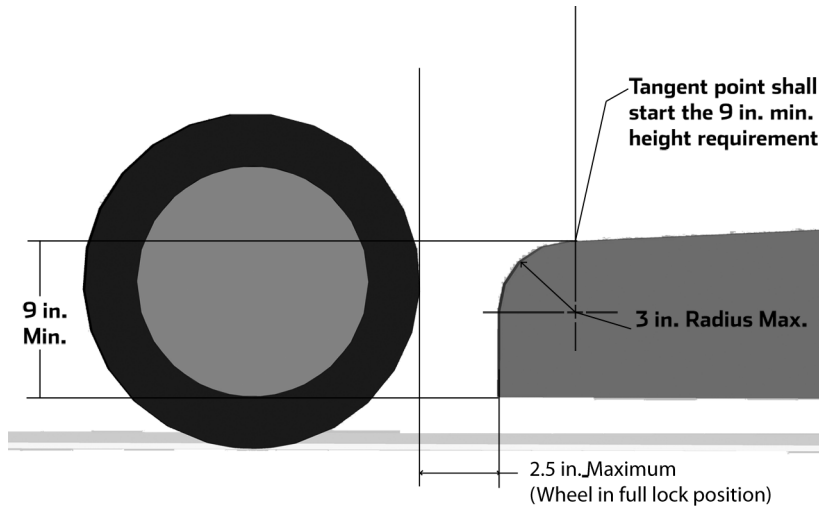
9. Bodywork

- a. All mechanical components of the car, forward of the roll cage, shall be covered by suitable bodywork. Exceptions are the wheels, brakes, front suspension components, and the cockpit. The driver's seat shall be capable of being entered without the removal or manipulation of any part or panel.
- b. Sports car noses are recommended provided they do not extend beyond the outside edge of the front tires, do not stand taller than the top of the front tires, and their rearward most portion does not extend beyond an imaginary line drawn from the center of the front wheel, forty (40) degrees forward from vertical. A sports car nose shall be closed across the front and top except for air duct openings ducted to heat exchangers, provided that ALL air directed to heat exchangers shall pass through those exchangers, except for ducts directed at brake assemblies.
- c. Bodywork behind the front wheels and forward of the rear wheels shall extend to within one (1) inch of a line connecting the outer edges of the front and rear wheels. In a horizontal plane, it shall begin within 2.5 inches of the rear-most part of the front tire in the completely turned position and extend to within 4.5 inches of the front of the rear tire. The sidepod(s) shall be continuous from the outside edge of the main bodywork, at a minimum height of nine (9) inches, maximum twelve (12) inches measured from the bottom plane of the car. The sidepod(s) shall be closed across the front except for air duct openings to heat exchanger(s), but ALL ducted air shall pass through those exchanger(s). The sidepod(s) may be open to the rear. Sidepod(s) is (are) intended to restrict wheel entanglement between cars.
- d. Along the outer edge of the required sidepods between the front and rear wheels, lateral protrusions of the bottom or floor of the sidepods are allowed, provided that they do not extend more than one inch beyond the floor under the required sidepods, and provided that the overall length and width of the car conforms to the dimensions provided in these rules. This rule is not intended to limit the size of lateral protrusions in front of the sidepod or in the front wheel well area between the tire and chassis.
- e. The purpose of these rules is to limit the use of "ground effects" to achieve aerodynamic downforce on the vehicle. Thus, for full width of the body between the front and rear axles, the lower surface (surface licked by the airstream) shall not exceed 2.54cm (1 inch) deviation from the horizontal through that surface. (This is not to be interpreted as requiring a floor pan beneath the motor or rear axle.) Except for rub strips not exceeding 1 cm (.394 inches) in depth within that 2.54cm (1 inch) deviation rule, the bodywork shall not extend below the surface of the tub or chassis floor to the rear of the front axle. Seat bucket or other protrusions shall not circumvent this rule.
- f. It is not permitted to duct air through any part of the bodywork for the purpose of providing aerodynamic downforce on the car. It is not permitted to duct any air through the downward facing surface of the nose of the car extending to the front axle or through the lower surface of the car between the front and rear axles. The surface of the nose - facing the ground plane aft of the nose leading edge plane -

along its entire length at or before the front axle, must be either parallel to or convex, as compared to the ground as illustrated in Figure 2.



- g. Ducts through the side or top of the body and/or sidepods to duct air to and through heat exchangers or to allow cooling air into the engine compartment are permitted, provided that they are not used to generate aerodynamic downforce. Engine air intake ducts and scoops are permitted, provided that they are not used to generate aerodynamic downforce.
- h. Wings are prohibited. A single rear spoiler that may be capable of adjustment is permitted. Cockpit adjustment is not permitted. This spoiler shall be no wider than the surface to which it is attached, and there shall be no gap between the spoiler and the body surface to which it is attached.
- i. Diffusers are allowed, with or without strakes, provided that the overall length and width of the car conforms to the dimensions provided in these rules.
- j. Splitters are allowed, provided that they extend at least to and do not extend more than one inch beyond the line(s) defined by the leading edge(s) and corners of the nose and the sponsons of the sports car nose, and provided that the overall length and width of the car conforms to the dimensions provided in these rules.



10. Tires

Any recognized ten (10) inch racing tire with any tread width up to a designed 7.5 inch width may be used. Any HR rated radial tire may be used as a rain tire.

11. Wheels

Wheels shall not exceed a ten (10) inch diameter and 8.5 inch width.

12. Ballast

Ballast may be added to meet the minimum weight requirement provided it is securely mounted within the bodywork and serves no other purpose. It is recommended that underweight cars be brought to the minimum limit by adding strengthening material to areas providing driver protection; i.e., roll cages, frame rails, etc., rather than simply bolting in additional weight.

13. Fuel Tank

The fuel container shall be located within the bodywork, ahead of the rear wheels and behind the centerline of the front wheels.

14. Snowmobile Derived Engines

Engines shall be two-cylinder, two-cycle, water-cooled in stock configuration as listed below: Fuji "Chaparral" Model G44bw, "Kawasaki TC440A"/C-200, B-201, C-201, C-202, F-202, and G-203. The F-202 and the G-203 are electric start engines. Cylinder head P/N 440/2A is permitted for the engines listed. Only the "A" series engine is legal; the use of any parts from other Kawasaki series engines is prohibited. Rotax Model 494, Model 493, *and Model 593 must use a single expansion chamber and must be equipped with a pull starter; an electric starter may be added* Rotax 494 non-RAVE engine must use the 494 non-RAVE rotorvalve, Ski Doo part numbers 420 924 509 or 420 924 508, 147 degree designation. *Rotax 494 RAVE engine may use either the 494 non-RAVE rotor valve or the stock RAVE rotor valve, Ski Doo part number 420 924 502, 159 degree designation.* RAVE valves (exhaust) may be blocked in the "full open" position or left as delivered. 494 RAVE and non-RAVE cylinder heads may not be interchanged between engines. Rotax 593 engine may be carbureted, non-HO or HO version and must run inlet tract restrictors, Cometic gasket part numbers MA0242SP1020A or MA0242SP1063A, one in each tract immediately after the carburetor.

AMW engine as specified:

The AMW engine approved for F600 use must be the AMW model no. 250-2 RC2, two-cylinder, two-cycle, liquid-cooled, reed-valve engine with a nominal bore and stroke of 72mm x 61mm and a displacement of 497cc. All components of the engine shall be in "as cast" condition or as delivered from AMW. No component of the engine may be altered, modified, or changed nor be of any other origin than the original equipment manufacturer (OEM) unless specifically authorized in these rules. Any Y-pipe exhaust manifold and single expansion chamber meeting 9.1.1.E.14.B is permitted. All factory technical bulletins shall be approved by the Club Racing Board prior to implementation and publication. AMW Technical Bulletins #10/96.01, Published October 1996, #03/97.01, Published January 1997 and Technical Bulletin #04/99.01, Published February 1999, have been approved by the Club Racing Board.

The engine must be installed in the chassis so that the exhaust ports face the front of the car. The engine may be inclined from vertical.

Hardware items (nuts, bolts, etc.) may be replaced with similar items performing the same fastening function(s).

No component of approved engines may be altered, modified, or changed, nor be of any other than original equipment manufacture unless specifically authorized. Engine components shall be assembled in stock configuration. Stock configuration is defined as including: water outlet elbow, ignition harness, etc.

Authorized Changes:

- A. Carburetors: The induction system is restricted to two (2) 38mm Mikuni VM 38 round slide carburetors (except AMW). No modifications are permitted to the carburetor bodies. The use of any jets or jet needles is permitted. External carburetor jetting devices such as Mikuni Power Jet, Thunder PowerJet, Dial-A-Jet, IntelAJet, or other similar devices may be used, provided they are plumbed to the float bowl and body of the carburetor for which they are installed. Cockpit adjustment of external jetting devices is prohibited.

Carburetor mounting must be of individual runners, with no balance pipes and no plenums unless fitted as standard as on the Rotax 493 and 593 engines. The use of the intake plenum/resonator on the 493 and 593 engines is optional. If the intake resonator is removed the resulting holes MUST be completely plugged and the plugs must be held in place by appropriate clamps. Plugs may be of any material and must serve no other purpose than to plug the holes originally intended for the resonator. Intake boots BPP 420867860 (last 6 digits 867860 are embossed on the boot), BPP 420867861 (last 6 digits 867861 are embossed on the boot), or Kimpex 07-100-33 must be used for the 493 and 593 non-HO engines. Moto Tassinari V-Force V3120-794A-2 Reed Valve System may be used with any allowed intake boot on the 493 and 593 non-HO engines. Intake boots BPP 420867882 (last 6 digits 867882 are embossed on the boot) or Moto Tassinari V-Force 3 Reed Valve System V3124-873B-2 must be used for the 2003 593 HO engine, and intake boots BPP 420867879 (last 6 digits 867879 are embossed on the boot) or Moto Tassinari V-Force 3 Reed Valve System V3124-873B-2 must be used for the 2004-2007 593 HO engines. Supercharging, turbocharging, and direct fuel injection are prohibited.

Stock air filters and air boxes may be removed, and air filters and air boxes are unrestricted.

- B. Any exhaust pipe(s) may be used (unless otherwise specified). Maximum exhaust length behind the rear axle centerline is twenty-four (24) inches. It is the intent of this rule that the exhaust pipe includes the exhaust manifold.
- C. Alternate piston replacement for Chaparral engine only, "Wiseco" one-ring piston.
- D. Any thermostat may be used. The thermostat may be modified in any manner, replaced with a "restrictor" of any similar shape/design to regulate coolant flow, or removed entirely.
- E. Alternate AMW/Wiseco piston (#2687) is permitted.
- F. Engine specifications will not be changed during the current year.
- G. Rotax 494, 493, and 593 engines: Any Rotax 494, 493, or 593, respectively, model thermostat housing or water outlet elbow may be used. The water bypass may be blocked. Either upper or lower cylinder head water outlet may be blocked in any safe manner to facilitate use of a single water outlet.
- H. *Cast replacement pistons*

Only the following cast replacement pistons are permitted:

1. *Kawasaki and Rotax 494/493 engines: "OEM Type" replacement pistons of cast aluminum construction permitted. Must match OEM design, specifications, and compression ratio (such as SPI/Kimpex). No forged pistons permitted, except as specified in 9.1.1.D.14.I.*
2. *Rotax 593 HO: Sports Performance 1 Products # 54-776PS cast replacement piston is permitted.*

- I. Forged *replacement* pistons

Only the following forged replacement pistons are permitted:

1. Kawasaki: Wiseco # 2084M06800
 Rotax 494: Wiseco # 2381M06950; Wiseco # 2381M07000 (0.50mm overbore)
 Rotax 493: Wiseco # 2436M06950; Wiseco # 2436M07000 (0.50mm overbore)
 Rotax 593: Wiseco # 2411M07600
2. Rotax 593 (standard bore): Wiseco # 2411M07600

- J. Overbore *replacement* pistons

"OEM Type" cast replacement pistons as allowed in 9.1.1.D.14.H. are permitted as acceptable substitutes for those listed below. Engines may be overbored as specified by Rotax to allow fitting of specified piston.

1. Rotax 493 engine only: Rotax OEM 0.010" overbore piston (P/N 420888446); ProX # 01.5400.050 (0.50mm overbore).
2. Rotax 494 engine only: Rotax OEM 0.010" overbore piston (P/N 420887556); ProX # 01.5598.050 (0.50mm overbore).

9.1.1. Formula 600 (F600) Specifications

3. Rotax 593 non-HO engine only: Rotax OEM 0.010" overbore piston (P/N 420889171).

- K.** The following aftermarket replacement cylinder sleeves manufactured by Los Angeles Sleeve of Santa Fe Springs, CA are permitted for the Rotax 493, 494, and 593, respectively:

Rotax 493: FL-1286 (69.5mm)

Rotax 494: FL-1224 (69.5mm)

Rotax 593: FL-1255 (76.0mm)

Note: the appearance of the port is machined as opposed to the as-cast port of the OEM sleeve. The bores are machined to size after installation in the cylinder casting, but no machining to the ports is permitted.

- L.** The stock oil injection pump, oil lines, and control cables may be removed from all Rotax engines. The oil injection ports may be removed and plugged as necessary.
- M.** Alternate ECU for Rotax engines: The use of the Ingi Tech Sparker ignition part number DCP-CDI-P2 is permitted.

15. 600cc Motorcycle Engines

- A.** Mass produced water-cooled, 4 cylinder, 4-cycle motorcycle engines up to 600cc are allowed as per spec line (end of section).
- B.** It is the purpose of this section to control the power level of current and future 4 cycle engines to yield approximately the same on track performance as the 2 strokes. Thus all engines must use individual inlet restrictors (IIRs) that comply with Appendix F, Flat Plate Intake Restrictor, except the third and fourth bullet items. The IIRs holes shall be as listed in table 1. The IIRs shall be placed between each cylinder throttle body and its corresponding inlet port. The CRB may at any time require adjustments to items including but not limited to restrictors, minimum weights and final drive ratios by publication in Fastrack.
- C.** All engine internals and compression ratio must remain stock. The competitor must present, on demand, an original factory manual for the engine to allow compliance verification. There shall be no modifications or removal of any component of the engine or addition of any component of the engine unless specifically authorized in these rules.
- D.** The stock ECU shall be used. The ECU fuel and ignition map may be changed. Devices that modify inputs to or outputs from the ECU (e.g., Power Commander) may be used. Stand-alone aftermarket ECUs are not permitted.
- E.** Turbochargers and superchargers are prohibited.
- F.** Carburetion or fuel injection may be used. Fuel injection, if used, must be stock and unmodified for the model and year of the engine that is used. Stock air filters and air boxes may be removed, and air filters and air boxes are unrestricted.
- G.** The exhaust system and exhaust manifold are unrestricted, within SCCA safety regulations, except that stepped diameter exhaust headers are not allowed. This prohibition does not include the exhaust flange area immediately adjacent to the cylinder head.
- H.** The lubrication system is unrestricted. Any oil pan and/or baffling are permitted. The use of dry sumps is specifically not allowed. Accusumps or similar oiling assist systems are permitted. Crankcase vacuum pumps are prohibited.
- I.** Oil coolers are unrestricted.
- J.** The cooling system is unrestricted, however the stock engine water pump must be retained.
- K.** Replacement of the stock camshaft chain tensioner with any other chain tensioner is permitted. The replacement chain tensioner must attach directly to the engine in the original chain tensioner position. There shall be no modifications to the engine to enable the use of the replacement chain tensioner.
- L.** Replacement of the standard connecting rod fasteners with alternate fasteners is permitted as long as there are no modifications to the production connecting rods. Replacement of other nuts, bolts, fasteners, and washers with common hardware items performing only the same fastening/fitting functions also is permitted as long as there are no modifications to the production parts being assembled or to the production assembly.
- M.** The engine head gasket must be the thickness of the OEM gasket for the year and model of the engine.
- N.** Camshafts and camshaft drive mechanisms may not be modified or adjusted in any way unless specifically authorized in these rules.
- O.** Self-starter: Cars shall be equipped with an on-board self-starter and an on-board power supply controlled by the driver while in a normal driving position.

- P. The engine must be installed in the chassis so that the exhaust ports face the front of the car. The engine may be inclined from vertical. Mounting 'bolt bosses' may be removed from the exterior of the cases of the motorcycle engines to enable installation. Sprocket covers may be removed or modified from the motorcycle engines to provide for fitment of jackshafts or final drive chains.

16. Chain/Belt Guards

Protective guards made from 1/8" aluminum or 3/32" steel are required where belt or chain breakage could result in injury to the driver or damage to items necessary for the safe operation of the vehicle. This includes, but is not limited to, fuel lines, fuel tanks, brake lines, radiator, and water hoses.

17. Radiator

Capacity, size, shape, location, and number are unrestricted. Overhead radiators shall be at least six (6) inches rearward of driver's head.

18. Safety Items

In addition to previously mentioned items, the following equipment is required. Vehicle will be fitted with:

- A. Mirrors affording the driver clear fields of vision behind him/her, and on both sides of the car.
- B. Cars shall not be started with rear wheels on the ground unless a driver is on board.

19. All F600 cars competing in Majors Races and the Runoffs must have the AIM part #X47KPFSSOLO2R0 data box mount installed on the vehicle to provide the necessary mounting of the AIM Solo 2 data box. The mounting surface is to be approximately oriented either horizontally or vertically either parallel or perpendicular to the longitudinal axis of the car and must be accessible from the exterior of the car with the driver on board -- it should have a view of the sky and not be located under carbon fiber or metallic bodywork. Sufficient space should be left between the mounting plate and the surface to which it is attached to permit the use of zip ties/tie straps to restrain the data box to the mounting plate. The purpose of this requirement is to allow the random placement of data boxes on cars on pre-grid by SCCA assigned personal and the collection of the box when the car exits the race track. Contact AIM and their distributors for direct purchase.

F600	Version/Model	Weight (lbs)	Inlet Restrictor	Outlet Restriction	Notes
Fuji "Chaparral"	Model G44bw	700			Note 4
Kawasaki TC440	A-200, C 200, B-201, C-201, C 202, F 202, and G 203	700			Note 4
AMW	model no. 250- 2 RC2	800		Y-pipe exhaust manifold and single expansion chamber (ref 9.1.1.D.14.B)	Note 4
Rotax 494	Non-RAVE	775		Y-pipe exhaust manifold and single expansion chamber (ref 9.1.1.D.14.B)	Notes 1 and 4
Rotax 494	RAVE	800		Y-pipe exhaust manifold and single expansion chamber (ref 9.1.1.D.14.B)	Must use <i>either</i> the 494 non-RAVE rotor valve (Ski Doo part numbers 420 924 509 or 420 924 508, 147 degree des- ignation) <i>or the stock 494 RAVE rotor valve (Ski Doo part 420 924 502, 159 degree designation)</i> RAVE valves may be blocked in the "full open" position or left as delivered. Note 1 and 4.
Rotax 493		775		Y-pipe exhaust manifold and single expansion chamber (ref 9.1.1.D.14.B)	Note 1 and 4
Rotax 593	Carbureted and non-HO versions only	840	MA0242SP1020A or MA0242SP1063A	Y-pipe exhaust manifold and single expansion chamber (ref 9.1.1.D.14.B)	Note 1 and 4. Restrictor size and type is to be displayed by the following designation: 593 RSTR.
Rotax 593	Carbureted HO version (03-07)	875	MA0242SP1020A or MA0242SP1063A	Y-pipe exhaust manifold and single expansion chamber (ref 9.1.1.D.14.B)	Note 1 and 4. Restrictor size and type is to be displayed by the following designation: 593 RSTR.
Honda CBR600RR (03-13)		900	28mm Flat Plate Intake Restrictor	Stepped diameter exhaust headers are not allowed	Notes 2, 3, 4, and 5
Suzuki GSXR600 (03-19)		900	28mm Flat Plate Intake Restrictor	Stepped diameter exhaust headers are not allowed	Notes 2, 3, 4, and 5
Yamaha R6 (03-13)		900	28mm Flat Plate Intake Restrictor	Stepped diameter exhaust headers are not allowed	Notes 2, 3, 4, and 5

Notes:

1. Any model thermostat housing or water outlet elbow may be used. The water bypass may be blocked. Either upper or lower cylinder head water outlet may be blocked in any safe manner to facilitate use of a single water outlet.
2. Fasteners, cooling system and oiling systems are free.
3. Clutches are free as long as no mods are made to the engine to accommodate the replacement clutch.
4. Competitors must be able to supply a printed factory service manual for the year of engine being used to tech upon request.

F. FORMULA S CLASS (FS) (REGIONAL CLASS ONLY):

1. Definition

A formula for purpose built, highly modified single-seat, open-wheel, open cockpit racing cars, which meet the general regulations of Section 9. of the GCR for Formula Category cars, yet are different in concept and specifications from the current SCCA Formula classes. Homologation may be required. Refer to section 9.2.2. for details.

All Formula S cars registered after January 1, 2003 shall meet all preparation rules of Section G. Formula S cars registered prior to January 1, 2003 may be updated to Section G. specifications but they shall meet all requirements of Section G. without exception.

Exceptions to the FS specifications must be made to the Club Racing Board. Cars must have a letter from SCCA Technical Services documenting the exception.

2. Chassis/Frame

Chassis/frame construction is unrestricted within the following limitations:

- A. Chassis of non-metallic composite construction shall be proven to meet FIA specifications for non-metallic composite chassis prior to being submitted to the SCCA for homologation. There are no exceptions. Contact SCCA National Office for a list of the relevant FIA specifications/SCCA requirements.
- B. Chassis of metallic tube and/or metallic monocoque construction shall be manufactured to be consistent with the safety requirements outlined within these rules and the GCR.

3. Engines

Any engine(s) may be used within the following limitations:

- A. Piston or rotary internal combustion, gasoline-fueled engines only. No turbines. Turbo and/or supercharging is permitted.

4. Fuel System

Fuel system is unrestricted within the following limitations:

- A. Fuel Cell Vents: Fuel tank air vents shall be located at least 25cm (9.843 inches) to the rear of the cockpit.

5. Electrical System

Electrical system is unrestricted within the following limitations:

- A. Self Starter: Cars shall be equipped with on-board self-starter and on-board power supply controlled by the driver while in a normal driving position.

6. Transmission / Final Drive

Transmission / final drive system is unrestricted within the following limitations:

- A. Power shall not be applied to more than two (2) wheels.

7. Bodywork and Airfoils

Bodywork and airfoils are unrestricted within the following limitations:

- A. Cockpit Opening:

The driver's seat shall be capable of being entered without the removal or manipulation of any part or panel (except for a removable steering wheel and removable cockpit padding).

The cockpit opening of metallic chassis shall have the following minimal dimensions:

Length: 60cm (23.622 inches)

Width: 45cm (17.717 inches)

This width extends over a length of 30cm (11.811 inches) minimum. This minimal rectangular opening may exist anywhere forward of the bracing, and required padding will not be considered in these dimensions.

The cockpit opening of non-metallic chassis shall be designed to meet the FIA F3 homologation requirements (article 275).

- B. Aerodynamic Devices:

1. The mounting apparatus of any part having an aerodynamic influence (i.e. bodywork, floor, sidepods, wings, spoilers, etc.), shall be rigidly secured to the entirely sprung part of the car (chassis/monocoque), shall have no degree of freedom in relation to the entirely sprung part of the car (chassis/monocoque), and shall remain immobile in relation to the chassis/monocoque at all times.
2. No Aerodynamic skirts per GCR Section 9.3 Aereodynamic Skirts. Within the preceding restrictions, only wearable material (fiberglass, Kevlar, carbon fiber, high density polyethylene, polypropylene, Teflon, Lexan, or wood) may be attached to the side panels as a rubbing strip. Ceramics, brittle plastics (i.e. Plexiglas), and other materials which shatter or break-up causing hazardous track conditions are prohibited.
3. Ground effects are permitted, but may not be attained by "sealing" or bridging the gap between the bodywork and the road surface. Any means adopted to circumvent this intention shall automatically be regarded as a breach of these regulations.
4. Leading Edges of Airfoils: The leading edge of any airfoil fixed to the front of the car shall not be

9.1.1. Formula S (FS) Specifications

sharp. Minimum radius: 0.5cm (0.2 inches).

8. Suspension

Suspension is unrestricted within the following limitations:

- A. All cars shall be equipped with a full suspension system (i.e. springs, torsion bars, etc.) front and rear. Rigid mounted suspensions are prohibited. Monoshock/monospring systems are permitted.

9. Steering

Unrestricted provided that it is of a safe/secure design and acts upon at least two wheels at one end of the vehicle.

10. Wheels and Tires

Wheels and tires are unrestricted within the following limitations:

- A. Tires shall have a minimum speed rating of 120 mph or better. Tires shall be the same size and design (i.e. radial, bias-ply, etc.) for the right and left sides of the front axle(s), and same size and design (i.e. radial, bias-ply, etc.) for the right and left sides of the rear axle(s).
- B. Wheels: Minimum diameter 10", minimum width 5.5". Wheels shall be identical for the right and left sides of the front axle(s), and identical for the right and left sides of the rear axle(s). Wheel material shall be metal. Cars shall be equipped with a minimum of four (4) wheels. Wire wheels are prohibited.

11. Brakes

Brakes are unrestricted within the following limitations:

- A. Cars shall have a braking system that acts upon all wheels of the vehicle. Chain/belt driven cars may have a single brake caliper that acts upon the differential, thereby applying braking force to the two (2) drive wheels.
- B. Cars shall be equipped with a dual braking system operated by a single control. In case of failure or leak at any point in the system, effective braking power shall be maintained on at least two wheels.

12. Weight (without driver)

The minimum weight of the vehicle as raced, without driver, shall be 750 lbs.

13. Additional Safety Equipment

- A. Mirrors per GCR Section 9.3 Mirrors. Additionally, there shall be at least two (2) mirrors, each with a minimum 55cm² (8.53 in²) of reflective surface.
- B. Towing Eyes per GCR Section 9.3 Towing Eyes. Additionally, if the rollbar is faired-in, the fairing shall have rollbar access hole(s) to allow for quick retrieval.
- C. The area between the upper and lower main frame tubes from the front instrument/dash roll hoop bulkhead to the rear roll hoop bulkhead shall be protected by at least one of the following methods to prevent the intrusion of objects into the cockpit. Panels may extend to the forward most bulkhead, but must otherwise comply with these regulations.
 1. Panel(s), minimum of either .060 inch heat treated aluminum (6061-T6 or equivalent) or 18 gauge steel, attached to the outside of the main frame tubes.
 2. Reinforced body, consisting of at least two layers of 5 ounce, bi-directional, laminated Kevlar material incorporated into the body which shall be securely fastened to the frame. (5 or more layers are highly recommended.)

The material used for the chassis braces in this area shall be at least equivalent to the roll hoop brace material.

3. Flat composite panels of uniform thickness and construction attached to the outside of the main frame tubes. Shaping of these panels to conform to the outer perimeter of the main frame tubes is permitted. Carbon fiber is permitted; however, it must be used in conjunction with another "anti-ballistic" type material (e.g., Kevlar, Zylon, etc). Such material shall be at least 1.5mm (.060 inches) in thickness not including the carbon fiber.

Composite anti-intrusion panels shall be attached with no more than eight fasteners per side. Fasteners shall be AN or superior grade of not more than 0.25 inch diameter. Two flat or countersunk Mil Spec or SAE washers of no more than 1 inch diameter may be employed with each fastener. Ten fasteners per side are permitted if the panels extend to the front bulkhead.

Alternatively, FIA mounting is permitted as follows:

One panel shall be permitted per side. It shall be fastened to the frame at its extreme corners, the upper, lower, forward and rearward edge halfway between the corners, and halfway along each diagonal tube. The attachment should consist of an 8mm U-bolt and an aluminum plate 3mm thick, 20mm wide and 12mm longer than the U-bolt span.

Composite panel mounting must comply with one or the other above prescribed methods. It may not be a combination of the two.

4. Non-metallic chassis are covered under the FIA chassis homologation.

D. Driver's Feet Position

For metallic chassis, the frame shall incorporate forward-facing braces to protect the driver's legs and feet. The braces shall extend from the front roll hoop to the front bulkhead. (The front bulkhead is defined as the furthest forward transverse section of the main frame.) The soles of the driver's feet shall not extend beyond the front edge of the wheel rims (in normal position; i.e., pedals not depressed) and shall remain behind the front bulkhead. The lower main frame rails shall be a minimum of twenty-five (25) centimeters (9.84") apart (inside dimension) from the front bulkhead to the rear roll hoop.

1. Non-metallic chassis are covered under the FIA chassis homologation.

H. FORMULA FIRST PREPARATION RULES

1. Definition

1. Formula First is a class for single seat racing cars based on components from the standard Volkswagen Types 1 sedan, as originally manufactured by Volkswagen from 1966 to 2004. Since it is a restricted class, all allowable modifications are stated herein. The purpose of the Formula First class is to emphasize driver ability and to encourage the participation of owner/builders and owner/preparers while using proven Volkswagen components (or exact replicas). Homologation may be required. Refer to section 9.2.2. for details.
2. No component of the engine, *powertrain*, front suspension, or brakes shall be altered, modified, or changed, or be of other than VW manufacture (or an exact replica thereof), unless specifically authorized herein. Parts used are classified as original, made by VW parts, exact replacement parts usually bearing a VW part number used in the VW model range specified below. Finally, mass-produced direct replacement parts can be substituted for the original components if authorized in the rules. These direct replacement components must be constructed of original material(s) or an acceptable substitute, maintain the original function(s) and general dimension(s) of the VW components they replace. Furthermore, these replacement parts must be generally available to all competitors and offer no competitive advantage over the original VW parts. There are no exceptions. IF IN DOUBT, DON'T.
3. Any VW Type 1 component, of VW manufacture or an exact replica in size, shape, and material, may be used unless a specific part (VW or aftermarket) is specified.
4. All measurements given in these rules are exact unless a specific tolerance is stated. A car exceeding any measurement or outside a tolerance, BY ANY AMOUNT is not in compliance.
5. Any external surface of the suspension, brakes, and transmission/rear axle tubes may be painted, plated, or anodized.
6. Weights and Measurements
 1. Minimum weight, as qualified or raced, with driver: 1125 pounds
 2. Wheelbase minimum 81.5"; maximum 85.5"
 3. Front track maximum: 57" at zero camber & toe
 4. Rear track maximum: 55" at zero camber & toe
 5. Overall length: Maximum 140" (includes exhaust)

2. Suspension

1. Front Suspension

The front suspension shall be standard VW Type 1 sedan ball joint H-beam front suspension or an exact replica of one of them and dimensionally identical. The following modifications are permitted:

1. Lugs may be welded, brackets attached by welding or otherwise, and holes drilled in the ball joint H-beam to permit attachment of the beam to the chassis, and other components wholly or partially to the beam. Brackets may be welded to the torsion arms for the sole purpose of actuating the shock(s) and/or external mounted anti-roll bar and shall perform no other function.
2. Front spring(s) are unrestricted except that the front suspension lifting spring(s) must be a continuous unit measuring 37.63" (+ or - .13") in length, is completely housed internal of the torsion spring tube(s), and fit unaltered control arm spring sockets.
3. Removal of the shock towers above the upper H-beam tube centerline.
4. Relocation of the shock dampers is permitted. Shock dampers and their actuation are free providing that no VW components are altered, modified or changed unless specifically authorized herein. Bump rubbers with a maximum length of 2 ½" may be used to protect the shock(s)/chassis from bottoming. Use of related bump rubber packing washers/solid spacers is free. Coil spring mounted (coil-over) shocks are not permitted.
5. The use of any anti-sway bar or bars, internal or external, mounting hardware, and trailing arm locating spacers. The anti-sway bar fitted as part of the standard suspension may be removed. Sway bars may not be cockpit adjustable. Front suspension Z-bars are not permitted.
6. Replacement of torsion bar rubbers with spacers of another material.
7. Installation of ride height adjuster(s), constructed for use with standard VW spring packs, to the H-beam allowing rotation of the spring pack. One (1) ride height adjuster per torsion spring tube is permitted. No cockpit adjustment of ride height is permitted.
8. Removal of the brake backing plates.
9. Camber/caster eccentric adjusting nut may be replaced with an aftermarket nut of different design. Caster, camber, and toe-in are free.
10. Any wheel bearings that fit the VW type 1 spindles and disk brake hubs without modification may be used.
11. Steering column may be altered or replaced. Steering wheel is free, and may be detachable. Steering mechanism is free, but tie rods must attach to the spindle using existing steering arm,

9.1.1. Formula First (F First) Specifications

a modified steering arm, or a suitable new or modified bracket welded to the spindle. Ball joints in the tie rods may be replaced with rod ends.

2. Rear Suspension

1. The rear axle and tube assembly shall be standard VW Type I up to 1966, sedan swing axle (no outer pivot point for a half shaft) with axle location provided by a single locating arm on each axle. The rear axle tube may be rotated about its axis. The standard shock mounting and brake pipe brackets may be removed. Rear axle O.A. length: 26 11/16" + or - 1/8".

1. The rear axle bearing retainer flange mating surface may be machined, or shims may be installed under the rear axle bearing, for the sole purpose of adjusting bearing axial float.

2. Springs, shock dampers, their actuation, and camber compensating devices are free.

3. Braking System

1. Standard VW Type 1 disc brake components must be used, including any standard VW Type 1 original or aftermarket direct replacement brake caliper constructed of cast iron material. Front rotor minimum weight: 13.0 lbs. each without wheel mounting studs.

1. Caliper housing material may be removed on the outer radius surface of the outer piston housing to clear the inside of the rotating wheel. This metal removal shall only be to allow wheel clearance.

2. Any type pad material may be used on standard VW Type 1 brake pads.

3. Adapter plates may be fitted to allow mounting of front or rear brake calipers.

4. Cross-drilling or grooving of rotors is not permitted.

5. Rear brake drum assemblies must be removed and replaced with one-piece cast iron rear brake rotors with machined-in rear axle splines. Caliper mounting is free. Min. rotor weight: 15.0 lbs each, without wheel mounting studs.

6. The car shall be equipped with a dual braking system operated by a single control. In case of a leak or failure at any point in the system, effective braking power shall be maintained on at least two wheels.

7. A separate hand brake is not required. Removal of the hand brake and operating mechanism is permitted.

8. Brake lines may be of any suitable material, including steel braided lines.

9. Wheel mounting lug bolts may be replaced with studs.

10. All brake components must remain within the safety tolerances and minimum dimensions established by the component manufacturer.

4. Wheels and Tires

1. Wheels shall be 13" diameter by 6" wide. (+ or - 1/8" for all dimensions).

1. Wheels must be of one-piece construction and may be constructed of steel, aluminum, or magnesium, but each wheel must comply with a minimum weight of 10 pounds, less tire, wheel weights and valve stem assembly.

2. Wheel bolt pattern is free, except that it must use 4 lug bolts or studs with lug nuts. No center-locks. As a recommended standard, the common bolt pattern for Formula First is 4"x 4 bolt.

3. Spacers between the wheel and rotor are permitted.

2. Tires shall be Formula F slicks in standard front and rear sizes and using a hard compound. The Region, Division and/or racing series sanctioning the races shall specify which manufacturer or manufacturer's tires meeting this general description shall be permitted.

Regional, Divisional and/or Race Series Tire Options:

1. Option 1. The spec tire manufacturer for Formula First shall be the FF Hoosier Tire. Front tires shall be #R60A compound 13 inch. Rear tires shall also be #R60A compound 13 inch.

2. Option 2. If a division chooses an alternate spec tire manufacturer for Formula First it shall be the American Racer Tire. Front tires shall be 20.0" x 6.0" - 13" 133 compound. Rear tires shall be # 22.5" x 7.5" - 13" 133 compound.

3. Inter divisional races or special events may choose to allow more than one tire option by listing the options allowed for said event in the event supplemental regulations. Intermediate tires are not allowed.

4. Any tires (brand, size, tread or construction) fitting the 13 x 6 rims may be used when the Chief Steward declares a rain race. This includes the radial Formula Ford rain tire.

3. Any tires (brand, size, tread or construction) fitting the 13 x 6 rims may be used when the Chief Steward declares a rain race.

5. Engine

1. The engine shall be the standard VW "1600" (1584 cc) twin port, unless otherwise stated in these rules.
 1. Engine components shall be assembled in standard configuration. Exceeding the wear limits specified in the VW manual or in other official VW guides is permitted provided that the specifications, tolerances, and dimensions specified in these rules are not exceeded.
 2. Standard engine reconditioning practices are permissible as set out below. Such machining shall occur on the same plane as original VW specification. It is not permissible to add metal or any other material to any engine component, unless specifically stated herein.
 3. Balancing of the following moving parts of the engine is allowed: pistons, connecting rods, crankshaft, flywheel, front pulley, and clutch disc and clutch cover. Balancing may not remove more material than is necessary to achieve the balance, except on those component parts where minimum weights are specified herein. The addition of weight to the clutch cover plate, for the sole purpose of achieving balance, is permitted.
 4. Polishing of the contact faces of moving parts is permitted.
2. 1584 cc engine dimensions
 - Bore 85.7 mm maximum
 - Stroke: 69.1 mm maximum
 - Exhaust valve diameter: 32.10mm maximum
 - Intake valve diameter: 35.60mm maximum
 - Intake port dimension at head: 33 mm maximum
 - Exhaust port dimension at head: 33 mm maximum
 - Intake manifold horizontal inside diameter: 33 mm maximum
 - Manifold casting maximum diameter at flange: 33 mm maximum
 - Maximum valve lift: .455". Measured at Valve cap with 0" lash. An average of the four exhaust valves must be .455" or less and an average of the four intake valves must be .455" or less.
 - Rod weight with bolt and small end bushing: Minimum 560 grams. Rod length, center to center: 5.35" to 5.45". Any manufacturer's piston rod may be used that meets the VW dimensional and weight specifications herein. Competitors may use VW or Chevy bearings for rod big end and may modify rods accordingly as long as weight of 560 grams is maintained.
 - Piston weight with pin, clips and rings: Minimum 515 grams.
 - Minimum distance: Top of piston to top edge of #1 ring groove: 8.0 mm
 - Crankshaft weight: 20 pounds minimum
 - Flywheel: Clutch diameter 200 mm; weight - 12 pounds minimum
 - Deck height: .045" minimum
 - Cam followers: 90 grams minimum
 - Rocker arms: 80 grams minimum (w/o adjuster)
3. Crankcase, Clutch and Flywheel
 1. Any 1200 or 1600 VW case or exact replica may be used. Aftermarket competition cases that vary in design from the original VW case are not permitted except for the Auto Linea aluminum VW case, which must meet all other GCR/FST requirements. The engine case may be painted as long as casting stampings are visible.
 2. Standard reconditioning of the case halves is permitted.
 3. The case may be drilled to accept an external oil cooler or oil filter.
 4. Generator/alternator, stand, and fan housing and fan may be removed.
 5. Oil baffles may be installed. They must be housed completely within the original oil sump and crankcase.
 6. An oil temperature sending unit may be installed in the crankcase.
 7. Oil galley plugs may be replaced with threaded plugs.
 8. Cylinder head studs may be replaced with studs of different material.
 9. The crankshaft may be ground and the case may be machined to accommodate the use of the stan-

9.1.1. Formula First (F First) Specifications

standard VW oversize/undersize crankshaft bearings, provided the crankshaft location is not changed. It may also be machined to permit installation of camshaft bearings.

10. The use of an aftermarket counterweighted crankshaft with standard VW stroke, index and journal sizes is mandatory. Bearings may be standard VW undersized/oversized and rods ground to accommodate them.
11. Crankshaft front pulley is free.
12. The flywheel may be lightened to a minimum of 12 pounds. Flywheel dowels may be reconditioned. Additional dowels may be added on the same face. The flywheel clutch plate surfaces may be machined.
13. Any 200 mm VW clutch disc, pressure plate and throwout bearing (or replacement replica) as fitted to the VW Type 1, 2 and 3 are permitted. The standard VW clutch actuation arm may be modified to allow its attachment to the standard VW clutch throwout bearing shaft in any appropriate position. Clutch shaft arm actuation (cable, levers, or hydraulic) is free.
14. Oil filler/engine vent(s), dry sump tank and catch tank(s) are unrestricted provided they meet section 9.3 Oil Catch Tanks, Filters, and Breathers.
15. The installation of a crankshaft pulley oil seal is permitted.
16. The installation of case center main web location pins or shuffle pins are permitted.

4. Camshaft

1. Only the Engle W110 camshaft is permitted. Specifications listed herein are for checking purposes only. Re-grinding of the Engle W110, or any camshaft, to meet or maximize these specifications is strictly prohibited.

Cam lift: Exhaust and Intake .392" variance + .003"

Lobe centers: 108 deg +/- 30 sec.

Intake opens @ 19 deg. Intake closes @ 48 deg. (at .050" valve lift) (+/- 30 sec)

Exhaust opens @ 55 deg. Exhaust closes @ 12deg. (at .050" valve lift) (+/- 30 sec)

2. Cam timing (advance/retard) may be achieved by offset keys or adjustable cam gear. Cam timing may not be adjustable without disassembling the case. No form of VTEC, cockpit adjustment, or other variable cam timing is permitted.
3. Cam gear must be of stock dimensions, including angle and width of teeth.
4. Cam followers may be reconditioned and/or may contain camshaft face lubrication holes.

5. Pistons and Cylinders

Pistons and cylinders shall be standard VW replacement parts or exact replicas. Any piston rings that can fit the standard grooves are permitted. Piston pin retaining clips may be replaced with Teflon buttons.

6. Cylinder Head

1. The original standard VW twin port cylinder heads or any direct replacement cylinder head that complies with the original standard VW twin port cylinder head dimensions listed herein are permitted.

Reference list of some common manufacturers, part and casting numbers:

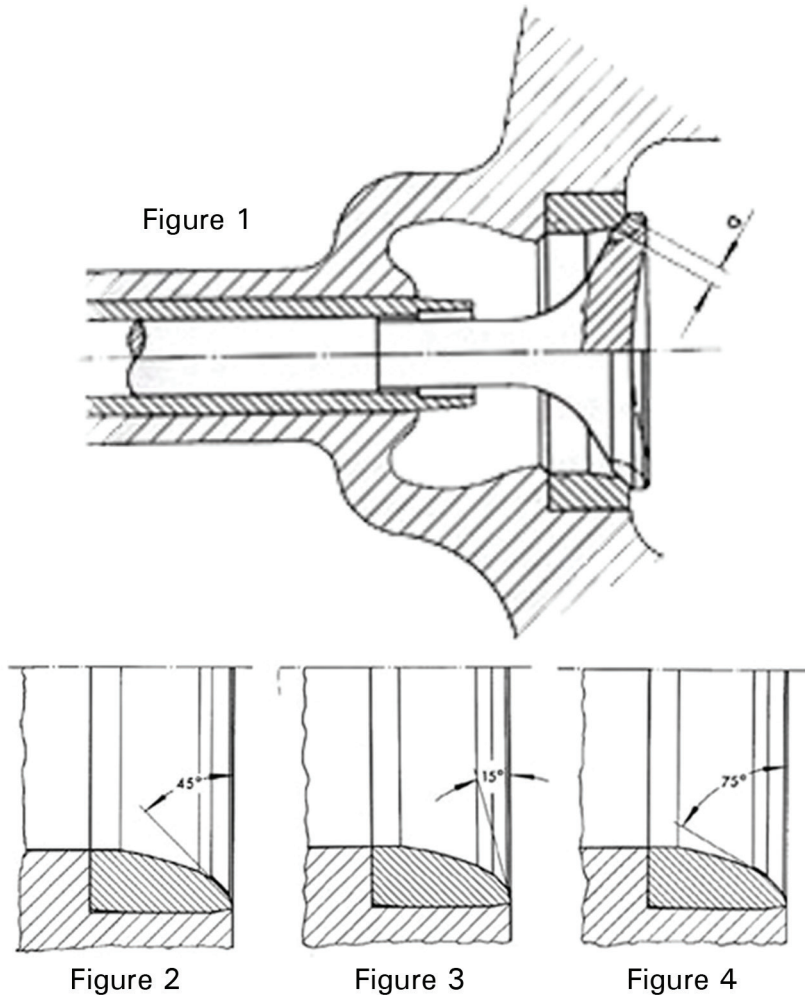
Auto Lineas	P/N 040-101-375 xx	Casting "040"
	(Note: xx varies)	
Auto Lineas	P/N 043-101-375A	Casting "043"
Mofoco 040	P/N CHH 040	Casting "040"
OE VW Original	P/N 113-101-375 A	Casting "113"
OE VW Replacement	P/N 040-101-355	Casting "040"
OE VW Replacement	P/N 043-101-375H	Casting "043"

Other cylinder heads can be added as requested if the castings are the same dimensionally (e.g., combustion chamber volume, valve size and location) as an approved VW manufactured head. This allows casting duplicates that may be of better quality (longevity), appearance, and/or price.

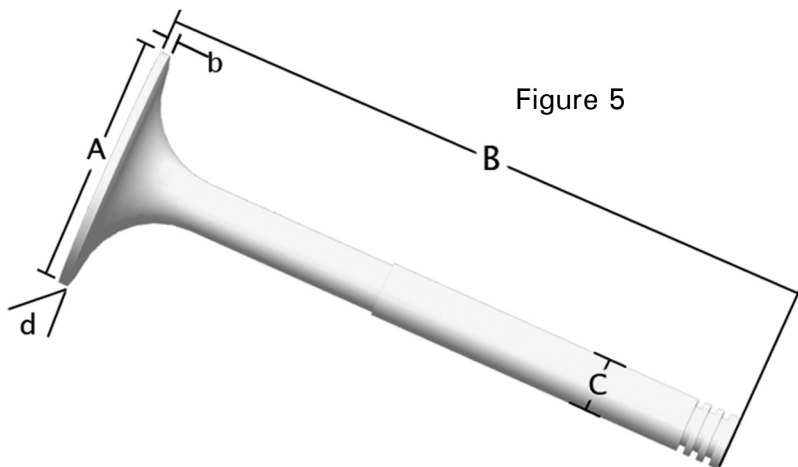
2. The intake and exhaust ports are to remain in as-cast condition, except that material may be removed from the intake ports for the sole purpose of matching/blending up to 1.5 inches from the intake flange mating point and up to 1.5 inches from an intake valve seat. Material may be

removed from the exhaust ports for the sole purpose of matching/blending up to .75 inches from the exhaust flange mating point and up to 1 inch from an exhaust valve seat. The remainder of the ports must be untouched.

3. The combustion chamber must hold a minimum of 47 cc, with valves in place.
4. Replacement of valve seats and valve guides with others of standard dimensions and material is permitted.
5. Valves and valve seats may not be reshaped. Valve to valve seat mating surface (figure 1) shall be cut as follows. The 45 deg valve seat width (figure 2) shall be maintained by cutting a 15 deg chamfer (figure 3) at the outside edge of the seat and a 75 deg chamfer (figure 4) at its inner edge. Seats cannot be refaced if too little material remains for a 15 deg chamfer to be cut without going beyond the boundary of the insert. If the chamfer extends to the head, the seat or the head must be replaced.



1. Valve specifications (figures 1 & 5):
 - Dimension "a" – valve seat contact width: Intake – 1.30 mm to 1.60 mm
Exhaust – 1.70 mm to 2.00 mm
 - Seat contact angle on valve: 45 deg Intake and Exhaust
 - Dimension "A" – valve head dia: Intake – 35.56 mm max. Exhaust – 32.06 mm
 - Dimension "B" – valve length: 110.5 mm to 112.5 mm
 - Dimension "C" – valve stem dia: Intake – 7.94 mm min. Exhaust – 7.91 mm
 - Dimension "b" – valve head margin: Intake - .80 to 1.50 mm Exhaust – 1.00 to 1.70 mm
 - Dimension "d" – face angle of valve only: Intake - 44 deg Exhaust – 45 deg



6. Stainless steel valves of the same dimensions as stock are permitted.
 7. Single valve springs must be used, but are otherwise free except that no unauthorized modifications to other parts may be made to accommodate them.
 8. Shimming of valve springs is permitted.
 9. Combustion chambers are to remain in standard, as cast condition, except that fly cutting is permitted to obtain the permitted compression ratio. No other tooling or polishing of the combustion chamber is permitted.
 10. Any aluminum or steel pushrod may be used. Length is free.
 11. Only standard 1.1:1 ratio 1600 rocker arms may be used. The two bars need to be visible. Minimum rocker arm weight listed under 5.2.
 12. Wavy washers in the rocker gear may be replaced with solid washers.
 13. Swivel-foot valve adjusters may be used, provided that they are on the same center plane as the standard screw and offer no increase in valve lift.
 14. The rocker shaft posts may be shimmed to restore original geometry after authorized fly cutting.
 15. Spark plug holes may be repaired using standard thread repair methods, such as Helicoil inserts, providing that the spark plug centerline is not changed.
 16. Valve covers are unrestricted and may be bolted on.
 17. Push rod tubes are unrestricted.
 18. Any ferrous metallic valve spring retainers and keepers are permitted.
7. Oil system
1. Any standard VW Type I, or replacement replica in size, shape, and material, oil pump may be used. Oil pump pressure port plugging is permitted.
 2. Any oil pump cover may be used.
 3. A dry sump oiling system is permitted.
 1. The dry sump pump must bolt into the standard location, must be driven by the camshaft and have no more that two stages.
 4. A sump extension may be fitted using or in place of the oil strainer cover plate. The oil pump pickup pipe may be extended into the sump extension. The sump extension shall not extend below the lower frame members surrounding the engine.
 5. Any oil cooler is allowed provided it is located within the bodywork and behind the firewall.
 6. An alternate oil pressure regulator spring or springs may be used.
 7. A standard or racing type automotive oil filter of not more than one-quart capacity may be installed provided it is located within the bodywork and behind the firewall. No cooling fins are permitted on the filter or connecting lines. Connecting lines shall not exceed 12 feet in total length, including oil cooler connections if part of the oil filter circuit.
8. Fuel pump

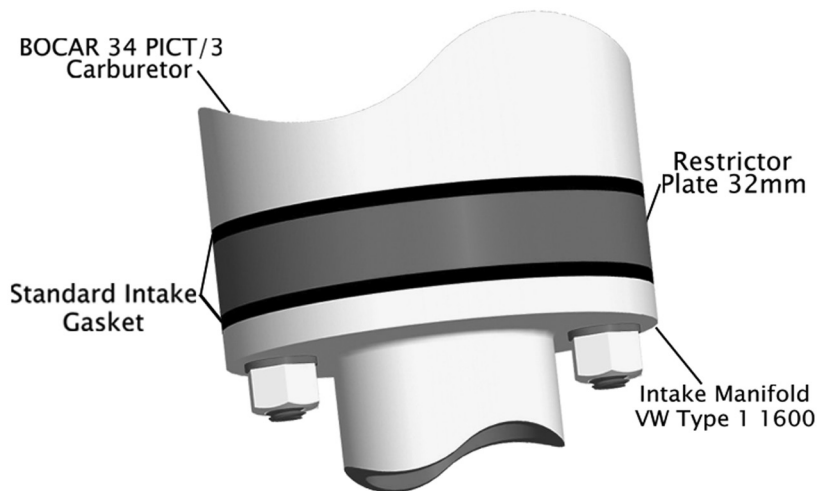
Fuel pump is free. A block off plate may be installed if the mechanical fuel pump is removed.

9. Carburetor

1. Only the Mexican made Bocar 34 PICT/3 replacement carburetor shall be permitted. The carburetor shall be in "as new" condition. The carburetor may be cleaned with commercially available "carb cleaner". NO MEDIA BLAST CLEANING IS PERMITTED. Original replacement replica gaskets, float, needle & seat may be replaced as needed. Float level may be adjusted via shim(s) under the needle & seat. Only the modifications listed herein are permitted. If you don't see it listed herein, you can't do it, NO EXCEPTIONS.
2. The choke plate, choke heater element and related components, choke shaft and related hardware may be removed and the shaft holes taped or plugged. Any air filter, air horn, or combination of filter and horn may be used.
3. Modification or removal of the idle shutoff solenoid to allow air/fuel flow without power is permitted.
4. Main fuel and air correction jet sizes are free.
5. The carburetor may be rotated 180 degrees about its vertical axis.
6. The choke heater element housing may be cut off the carburetor top housing.
7. The fuel inlet must be threaded into the carburetor top housing, the original brass swaged in fitting is not permitted.
8. Vacuum fittings may be removed and ports plugged.
9. The full throttle stop bracket may be modified to allow for full throttle operation.
10. Throttle plate screws shall be "as supplied" from Bocar, no grinding, filing or trimming on these screws, NO EXCEPTIONS.
11. NO OTHER TOOLING OR MODIFICATIONS ARE PERMITTED. REBUILDING IS NOT AN EXCUSE FOR MACHINING, MODIFYING OR CHANGING ANY DIMENSIONS OR ANY COMPONENT OF THE CARBURETOR, NO EXCEPTIONS.
12. Carburetor dimensions: Specifications listed herein are for checking purposes only. Re-working of the Bocar PCIT/3 to meet or maximize these specifications is strictly prohibited.
 - Throttle plate thickness: .055" Minimum
 - Throttle shaft thickness: .210" Minimum
 - Venturi/Choke inside dimension: 26 mm Maximum

10. Intake Manifold

1. The intake manifold shall consist of standard VW Type 1 1600 (1584 cc) twin port components, or direct replacement, unless stated otherwise in the following rules.
2. The heat sink casting may be removed or modified.
3. Other EXTERNAL modifications to the cast sections are permitted for clearance purposes, provided no performance advance results.
4. The standard 1600 manifold end castings must be untouched internally other than for the purpose of port matching.
5. Port matching to a depth of 1.0" into the manifold casting from the manifold/head joining surface is permitted.
6. The official Formula First 32mm restrictor plate, *SR Racing part number SRA-FST-RESTRICTOR*, must be installed per the instructions below. Absolutely no modifications are permitted to the restrictor plate. Any defects or marks on the blue anodize is not allowed and must be exchanged immediately for a new official Formula First 32 mm restrictor plate. *Small external scratches are considered normal wear.*
 1. The official Formula First 32 mm restrictor plate must be installed/assembled exactly in the following order, using only the listed parts. No exceptions allowed.
 1. Intake manifold
 2. (1) Standard VW (or direct replacement) carburetor gasket
 3. Official Formula First 32 mm restrictor plate



4. (1) Standard VW (or direct replacement) carburetor gasket
5. Bocar 34 PICT/3
2. Installation diagram supporting I.5.10.6.1.
3. Any Formula First car may be subject to a "spot check" for restrictor plate compliance. A spot check may be visual or may require a vacuum leak check performed as follows:
 1. Run engine at 2500 RPM
 2. Seal the carburetor air inlet
 3. Engine must stall within 4 seconds
7. All intake manifold vacuum fittings or ports must be plugged.

11. Engine cooling system

The air-cooling system for cylinders and cylinder heads is free, subject to limitations on bodywork. See I.5.7.7. with respect to oil coolers and lines.

12. Exhaust System

The exhaust system is free, but must comply with SCCA and local noise requirements and with overall body dimensions requirements.

13. Electrical System

1. 12-volt electrical systems shall be used.
2. The distributor must be a standard VW mechanical advance distributor, or Bosch 009, or a replacement replica, with the following modifications permitted.
3. The advance curve may be adjusted.
4. Standard Bosch or replica points may be replaced with an electronic replacement points set (Pertronix, Comp-U-Fire, etc.). The replacement set must be totally within the distributor.
5. Any coil is permitted.
6. Any 12v on-board automotive starter capable of starting the engine from the driver's compartment is permitted.

14. Other non-standard components.

Use of the following non-standard replacement parts is permitted provided that no unauthorized modification of any component results: Any fasteners (nuts, bolts, screws, etc); wiring; gaskets and seals; fuel line; spark plugs; piston rings; fan belt; and connecting rod bearings, camshaft bearings, and crankshaft main bearings, provided the bearings are of the same type and size and VW standard or oversize bearings.

6. Transaxle

1. The standard VW Type 1, 2 or 3 swing axle type transaxle must be used in standard configuration unless stated otherwise in these rules. All five gears (including reverse) must be operable, and controllable from the driver's seat. Synchronesh must be operating on all four forward gears. A direct replacement transmission case, VW part # 081-301-051, or replacement replica, "Rhino" case is permitted.
2. Shock damper mounts may be modified or removed.

3. Transmission shall not be installed in an inverted position.
4. The crown wheel must be transposed in the transmission case.
5. The differential cannot be modified in any way to limit its normal function. Torque biasing, limited slip, and locked differentials are prohibited.
6. The following gear ratios must be used with the 1600(1584) engine:
1 - 3.80; 2 - 2.06; 3 - 1.26; 4 - 0.89; differential 4.125

7. **Frame and Body**

The area between the upper and lower main frame tubes from the front instrument/dash roll hoop bulkhead to the rear roll hoop bulkhead shall be protected by at least one of the following methods to prevent the intrusion of objects into the cockpit. Panels may extend to the forward most bulkhead, but must otherwise comply with these regulations.

1. Panel(s), minimum of either .060 inch heat treated aluminum (6061-T6 or equivalent) or 18 gauge steel, attached to the outside of the main frame tubes.
2. Reinforced body, consisting of at least two layers of 5 ounce, bi-directional, laminated Kevlar material incorporated into the body which shall be securely fastened to the frame. (5 or more layers are highly recommended.)

For either method, fasteners shall be no closer than 6 inch centers (no stress-bearing panels). The material used for the chassis braces in this area shall be at least equivalent to the roll hoop brace material.

3. Flat composite panels of uniform thickness and construction attached to the outside of the main frame tubes. Shaping of these panels to conform to the outer perimeter of the main frame tubes is permitted. Carbon fiber is permitted; however, it must be used in conjunction with another "anti-ballistic" type material (e.g., Kevlar, Zylon, etc). Such material shall be at least 1.5mm (.060 inches) in thickness not including the carbon fiber.

Composite anti-intrusion panels shall be attached with no more than eight fasteners per side. Fasteners shall be AN or superior grade of not more than 0.25 inch diameter. Two flat or countersunk Mil Spec or SAE washers of no more than 1 inch diameter may be employed with each fastener. Ten fasteners per side are permitted if the panels extend to the front bulkhead.

Alternatively, FIA mounting is permitted as follows:

One panel shall be permitted per side. It shall be fastened to the frame at its extreme corners, the upper, lower, forward and rearward edge halfway between the corners, and halfway along each diagonal tube. The attachment should consist of an 8mm U-bolt and an aluminum plate 3mm thick, 20mm wide and 12mm longer than the U-bolt span.

Composite panel mounting must comply with one or the other above prescribed methods. It may not be a combination of the two.

2. **Body**

1. The body shall be constructed of fiberglass, aluminum, steel, Kevlar, carbon fiber or any combination thereof.
2. The body must not be rigidly attached so as to form part of the structural integrity of the car.
3. Rear (Tail) Bodywork: The rear bodywork shall extend from the firewall to a point at least 16" aft of the rear axle centerline.
4. Front (Nose) Bodywork: Any bodywork forward of the front beam torsion spring tubes shall have a maximum width of 31.75" (80.65 cm)
5. Main (Center) Bodywork: No part of the frame or bodywork shall project beyond a plane connecting the vertical centerline of the front and rear tires. Fuel filler necks, caps or lids shall not protrude beyond the bodywork of the car. The bottom of any bodywork that extends below the frame members shall be on the same flat plane as the undertray and shall not deviate from that flat plane by more than 1".
6. Cockpit Opening: The driver's seat shall be capable of being entered without the removal or manipulation of any part or panel (except for a removable steering wheel and removable cockpit padding). The cockpit opening of the bodywork shall have the following minimal dimensions: Length: 60cm (23.622 inches) Width: 45cm (17.717 inches). This width extends over a length of 30cm (11.811 inches) minimum. This minimal rectangular opening may exist anywhere forward of the bracing, and required padding will not be considered in these dimensions.
7. Air Ducting: Air ducts may be installed for the purpose of delivering air to, or extracting air from the cylinders, cylinder heads, oil cooler and/or carburetor. Air duct opening(s) may be located within the cockpit area and/or penetrate the firewall provided the duct(s) design and construction would prohibit flame and debris from reaching the driver.

9.1.1. Formula First (F First) Specifications

8. Aerodynamic Devices: Wings are prohibited. Any device specifically designed to use air speed to create aerodynamic downforce is prohibited.

I. FORMULA ENTERPRISES (FE/FE2) PREPARATION RULES

1. FORMULA ENTERPRISES 2 (FE2)

A. Definition

FE's with the Mazda 2.0L MZR engine will be classed as "FE2" and will use the class designation FE2. The Mazda 2.0L MZR motor can be used in all SCCA events. It shall run under all FE Preparation rules except as noted below:

- a. 2.0L MZR may be run with an Elite 5SPD or a Complete SADEV 6SPD transmission Kit
Must use the following:
- b. 2.0L only Intake Manifold Part # WM30106
- c. Throttle Body Part # WM591930-Jenvey
- d. PE ECU Kit Part # 1192012
- e. Nippon-Denso Alternator Part # WM902127
- f. Oil Filter Adaptor Part # WM301050 & Oil Filter Part # G301022
- g. PCV Valve Part # WM391502
- h. The car shall weigh 1270 lbs. minimum, including the driver.
- i. 16" MAZDA logo on each side of the engine cowling and the Mazda wing & name logo on the front center of the nose cone. These are mandatory decals.
- j. 2.0L MZR required Spark Plug Part# ND ITV 24

2. FORMULA ENTERPRISES (FE) – Regional Only Class

A. Definition

One design, fixed specifications, open cockpit, single seat Formula car with the Mazda 2.3 engine. Cars are packaged and sold by SCCA Enterprises (Enterprises). All replacement parts are supplied through Enterprises and shall be official Spec Formula Car parts except where noted in J.4. No modifications may be made to any part or system unless specifically permitted in these rules. FE cars may enter as FE2.

B. Safety Requirements

Car will be delivered from the manufacturer with approved safety equipment. Replaced items shall be supplied through SCCA Enterprises, except safety harnesses may be replaced by any other that conforms to GCR Section 9.

C. Vehicle Configuration

All cars to GCR section 9 with the following exceptions: Section 9.3 Accumulators.

D. Maintenance and Repairs

It is permitted to perform routine maintenance and repairs as long as existing parts are in no way modified and replacement parts are official Enterprises Formula Car parts. If any official Enterprises' seal is broken, lost by accident or intent, the procedures outlined under I.18., shall be followed. Parts and materials with an Enterprises part number having the prefix "WM10" are considered to be unrestricted, providing their dimensions and materials are comparable. No other parts are to be considered "unrestricted" except where specified.

E. Chassis

NO MODIFICATIONS ALLOWED except as noted in these rules.

- a. All cars shall use the stock, as delivered by Enterprises, wood floor of 6mm, with an allowable deviation of 3 mm across the surface for wear.
- b. Seats are free. Panels inside the cockpit may be attached to the frame as long as the points of attachment are no closer than 6 inches apart. No welding or gluing of the seat to the structure of the car is allowed.
Definition of cockpit is: area between the front roll hoop and rear roll hoop.
- c. Painting or powder coating of the chassis is allowed.
- d. Enterprises foot drop box part # WM180020J may be installed.
- e. Enterprises impact attenuator part #WM180023 (crush box) shall be installed.
- f. Transponder must be used per SCCA Enterprises Technical Bulletin 002-2016.

F. Bodywork

NO MODIFICATIONS ALLOWED (except as specified). If any seal, label, stamp is missing the parts must be returned to Enterprises for resealing.

9.1.1. Formula Enterprises (FE) Specifications

- a. Bodywork shall remain unmodified with the exception of holes for a slave or jumper battery plug, trackside beacon receiver, and tow hooks. All repair work must match original body dimensions and contours.
 - b. Bodywork fasteners are free.
 - c. The car may be painted any color(s), except primer.
 - d. It is required that all cars display the official sponsors of Enterprises decals and locations as specified by Enterprises.
 - e. Radiator screens are allowed and recommended. Screens may not protrude more than ¼ inch in front of the outside vertical plane of the sidepods.
 - f. All aerodynamic devices shall be used as delivered: i.e. wings, body winglets. No modification to mounting location or holes.
 - g. The front wing assembly and its related mounting components must be used as delivered. Modifications, except as specifically noted, are prohibited. The front main element may be adjusted +2.5 to -0.5 degrees. Shimming 2 of the 4 verticals through the main element mounting points to achieve adjustment range is allowed. The main element angle is measured relative to the reference plane. The main element is checked on the upper surface, midway between the vertical mounting and outer secondary elements on both sides. Note: The reference plane is the machined surface where the shock clevises are attached to the transmission case. Secondary wing elements may be used in any of the provided adjustment holes. Gurney flaps (0.500" +/- 0.030") are allowed as an option on secondary elements only. Gurney flaps must be securely attached with two #8 hardware or tape. Gurney flaps, are bent or formed 90 degrees to have a sharp inner radius. Tapered or "saw toothed" Gurney flaps are not permitted. Gurney flaps are measured for total height as mounted from the upper surface of the element.
 - h. The rear wing assembly and its related mounting components must be used as delivered. Modifications, except as specifically noted, are prohibited. The lower element may be adjusted +2.0 to -3.0 degrees. Chamfering the upper inner corners of the wing mounting brackets to achieve the adjustment range is allowed. The element angle is measured relative to the reference plane. The element is checked on the top surface, near the center, without a Gurney flap. Note: The reference plane is the machined surface where the shock clevises are attached to the transmission case. The upper element may be adjusted within the profile of the wing endplates using any of the provided adjustment holes. Gurney flaps (0.250" +/- 0.030") are allowed as an option on one or both wing elements. Gurney flaps must be securely attached with five #8 hardware or tape. Gurney flaps are bent or formed 90 degrees to have a sharp inner radius. Tapered or "saw toothed" Gurney flaps are not permitted. Gurney flaps are measured for total height as mounted from the upper surface of the element.
 - i. The stock headrest may be modified or replaced with any headrest meeting GCR section 9.4. The stock lateral bolsters may be modified or removed.
 - j. Enterprises windscreen only P/N: WM137000 is allowed as delivered.
 - k. Enterprises bubble tail P/N: WM138014 is allowed for both FE and FE2.
- G. Engine and Drivetrain**
- a. Engine
 1. NO MODIFICATIONS ARE ALLOWED EXCEPT WHERE SPECIFICALLY AUTHORIZED WITHIN THESE RULES. This includes all fuel injection and engine management components, including exhaust, cooling, electrical and lubrication systems. All systems are subject to test procedures and must conform to OEM specifications as stated and supplied by Enterprises. All fluids, except fuel, are unrestricted.
 2. Enterprises seals on the engine, and other components shall remain in place at all times. All engines shall be rebuilt, checked on an engine dynamometer, and sealed through Enterprises.
 3. Engine maintenance, which is permitted, includes the replacement, but not modification of external engine and engine systems parts.
 4. There are six (6) seals on the engine. Two (2) on the timing cover, two (2) on the top of the valve cover, and two (2) on the oil sump. They may not be removed or tampered with.
 5. All rubber oil lines may be replaced with braided metal-covered (Aeroquip type) lines. Hose clamps may be installed on the rubber oil lines.
 6. Intake manifold: No modifications are allowed. Absolutely no porting or the addition of material is allowed. No coating or painting is allowed on the exterior or interior of the intake manifold.
 7. Only Engine Control Units (ECU) manufactured by MBE or Performance Electronics are permitted. Modification of the ECU, ECU program, wiring or sensors is prohibited. ECUs are password protected.

8. The flywheel weight is a minimum of 2.6 pounds for the Enterprises supplied flywheel. No modifications to the flywheel with the exception of normal resurfacing for clutch wear are allowed.
9. No modification to the crankshaft dampener is allowed.

The following parts must be used:

10. Clutch: Enterprises supplied clutch and flywheel contained in kit #WM701000A, Piston #WM701004A, Throw out bearing #WM701006A, Small O-ring #WM1010405, Large o-ring #WM1010406, Flexplate and Ring Gear # WM1101053.
11. Spark Plugs, Part # NGK PTR5F-11, NGK TR5AI-13, or Motorcraft # AGSF32FEC.
12. Fuel Injectors: Part # WM591929
13. Throttle Body: Part # WM591930 or WM591930-Jenvey (used with PE ECU only)
14. Fuel Filter: *Any 10 micron fuel filter may be used as long as it performs no other purpose than to filter fuel.*
15. Air Filter: Part # WM301020
16. Exhaust systems may be thermal coated or wrapped.
17. A heat shield and heat insulation material may be used between the engine block and the exhaust system and is recommended for the purpose of protecting hoses, shifter cable, and wiring from the heat of the engine and exhaust. Heat insulation material may also be used to protect the fuel cell, fuel filter, fuel rail, and fuel lines.
18. An Enterprises muffler kit part #WM1131046 (with packable muffler #WM301040A) or muffler kit part #WM1131047 (with no pack muffler #WM301063) is required. The muffler may not extend beyond the back of the transmission. An additional muffler may be added to accompany the stock muffler as needed to meet sound requirements.
19. An optional air to oil cooler is allowed. Competitors may use either a Setrab 50-625-7612 or any air to oil cooler with a maximum core size of 13 inches wide by 6.5 inches high. No water to oil heat exchanger is allowed.
20. An optional Enterprise alternator kit is allowed, Part # WM1100101

b. Transmission

1. The ELITE 5 speed or SADEV 6 speed sequential transaxles supplied by Enterprises are the only permitted transmissions. No internal or external modification (including lightening) other than normal racing repair or as noted below:
 - a. "SADEV Only" when tested and proven "Flat shift" may or may not be used, competitor's choice, only approved method is PE Electronics ECU with SADEV shift sensor. Optional "Auto Blip Kit" may also be used when tested and proven.
 - b. "SADEV Only" 1-2019 SADEV gear box will be run as a sealed unit, can be serviced and inspected by CSR or approved SADEV service center. At event damage can be inspected / repaired / resealed if necessary by CSR or approved personnel.
2. ELITE Transmission servicing, replacement of internal components is permitted by the competitor with the following exceptions:
 - a. All components must be ferrous metal, except for bearing retainers and bearing cages.
 - b. Components manufactured by alternate manufacturers are permitted. Replacement components must be direct replacements to the original components. Absolute minimum weights are listed below.
3. The rear cover plate may be manufactured or remanufactured using aluminum.
4. Only approved ratios:

a. ELITE

- 1st 12:29
- 2nd 15:28
- 3rd 16:24
- 4th 20:25
- 5th 24:26

b. SADEV

9.1.1. Formula Enterprises (FE) Specifications

1st 14:33

2nd 16:30

3rd 17:26

4th 19:25

5th 23:26

6th 26:26

(All SADEV ratios are under review and could be updated prior to sealing date)

5. Differential – ELITE 12:33 or SADEV 10:31. The differential must remain open. No limited slip mechanism is allowed. Differential must work as supplied no tightening of the differential to limit slip.
6. Polishing, shot peening, REM® Isotropic treatment, heat and cold treatments are allowed. No coatings or plating is allowed.
7. “ELITE Only” Any mechanical device may be used between the shift lever and the transmission barrel to provide the required actuation. No electronic or pneumatic devices are allowed. Gear position indicators are allowed for both transmissions.
8. Shift cable is free, all mechanical force provided by the driver.

DRIVETRAIN MINIMUM WEIGHTS		
Part	Elite (lbs.)	SADEV (lbs.)
Differential Housing (complete)	7.4	2.85
Ring Gear	3.6	4.05
Pinion Shaft	4.0	1.35
1st Gear	2.7	1.75
2nd Gear	1.2	1.35
3rd Gear	1.1	1.45
4th Gear	1.1	1.35
5th Gear	1.0	1.35
6th Gear	N/A	1.30

H. Suspension

- a. NO MODIFICATIONS ALLOWED. Adjustments are permitted within the limits of the suspension and steering components. All rod ends shall be engaged at least 1.5 times the diameter of the end.
- b. Front Springs: 800 lbs. ± 25 lbs. Hypercoil Part # WM203013, Silver
Rear Springs: 900 lbs. ± 25 lbs. Hypercoil Part # WM203014, Silver
- c. Competitors may use the entire travel of all suspension adjusted components as delivered. Alternate parts are not allowed.
- d. All suspension parts shall have the SCCA code embedded (a label/or an Enterprises stamp) in the part. If they do not it is required to return part to Enterprises for proper labeling.
- e. Rod ends may be replaced with rod ends having specifications equal to or greater than the OEM supplied rod ends. This includes dimensional material and strength specifications. Replacement rod ends shall be capable of being installed with no modifications to any original components.
- f. Anti-roll bars (sway bars) may be run disconnected, but not removed. One anti-roll bar link may be removed from the front, rear, or both ends of the chassis for safety reasons, but no modification of the link or attachments is permitted.

Anti-roll bar sizes:

Front

Main Shaft 0.875" OD ± .005" Top Tee .750" x .135" wall, ± .005"

Length: 7.5" maximum end to end

Rear

lower stalk .615" Dia. \pm .005"

Upper stalk .765" \pm .005"

Arm length 5.470" shoulder to shoulder

Optional: Front rotating blade Anti-roll bars

PN: WM201023 Blade Minimum thickness 0.155" \pm .005"

PN: WM201022 0.590" \pm .005 Main Shaft Length 6.006" \pm .010"

PN: WM201029 0.875" \pm .005" Main Shaft Length 6.006" \pm .010".

PN: WM1121008 0.590" Full Bar kit / Cockpit adjustable.

PN: WM1121010 0.875" Full Bar kit / Cockpit adjustable.

PN: WM1121007 0.590" Bar Kit / set screw lock.

Optional: Rear Adjustable Anti-roll bar Part # WM1102026

I. Shocks

- a. NO MODIFICATIONS ALLOWED. 4 Bilstein Shocks, Part # WM203001 or 4 Penske shocks, Part # WM1180090. Same type on all 4 corners.
- b. Only shims provided on the shocks are legal (no bump rubbers, packers or modification to shims).
- c. Adjustments for the Bilstein will be at the spring perch and with pressure (if rebuilt). Adjustments for the Penske will be at the spring perch or with the rebound adjuster.
- d. Bilstein shocks may be used in the original configuration or may be rebuilt. Both shock types can only be rebuilt by Enterprises or its authorized rebuilder.
- e. All shock absorbers must be sealed by Enterprises or its authorized rebuilder.

J. Steering

NO MODIFICATIONS ALLOWED, except as described within these rules

- a. An alternate steering wheel may be used. "Butterfly" style steering wheels are not allowed.
- b. Upper steering shaft may be modified to accept an alternate steering wheel and/or hub (if applicable). It may also be modified to accommodate a larger driver.
- c. Optional steering arm Part # WM204008A can be used and allows more adjustability.

K. Brakes

NO MODIFICATIONS ALLOWED, except as described within these rules. Only the AP 4 PISTON CALIPER BRAKE SYSTEM AS SUPPLIED WITH VENTED ROTORS as supplied by Enterprises shall be used

- a. Brake pads as labeled and supplied from Enterprises.
- b. Brake rotors are used as delivered, no drilling or lightening is allowed. Minimum Diameter is 10.450". Part # WM801002x Left, Part # WM801003x Right. Min width is .600"
- c. Master cylinders:
Girling front master cylinder is .700" piston diameter, Part # WM802005
Girling rear master cylinder is .750" piston diameter, Part # WM802006
- d. Calipers must be AP 4 piston. Part numbers are:
LF # WM802004 RF #WM802003
LR # WM802002 RR # WM802001
- e. Brake lines are free (no plastic allowed).
- f. Driver adjustable manual brake bias is allowed.

L. Wheels (Only wheels supplied by Enterprises)

NO MODIFICATIONS or MACHINING ALLOWED Aluminum racing wheel supplied from Enterprises with SCCA logo. If logo is worn off or wheels that have been painted or powder coated, wheels must be inspected by Enterprises or one of their designated Customer Service Representatives and logos replaced.

Front: 8 in X 13 in Part # WM 205001

Rear: 10 in X 13 in Part # WM205002

- a. All wheel bearings shall be run with grease (not oil), no special coatings are allowed, and the bearing

9.1.1. Formula Enterprises (FE) Specifications

grease seal shall be intact. No ceramic wheel bearings are permitted.

- b. Wheel spacers are not allowed.

M. Tires

Tires must be run as delivered in sets of 4 as stated below:

DRY

Hoosier

Front: P/N: 43272, 22.0 X 8.0-13 FE

Rear: P/N: 43312, 22.0 X 10.0-13 FE

WET

Hoosier

Front: P/N: 44196 W3, 22.0 X 8.0-13

Rear: P/N: 44217 W3, 22.0 X 9.0-13

- a. The use of tire warmers or cooling methods other than natural air convection or conduction is prohibited. The penalty for violation will be the loss of qualifying times and/or the disqualification of race results.

N. Electrical System

NO MODIFICATIONS ALLOWED, except as described within these rules.

- a. Wiring harnesses must remain as delivered.
- b. Battery is free as long it remains in the original location and securely fastened.
- c. Battery wiring is free. Car must shut off when master switch is turned off. Jump battery quick connect plug is allowed.
- d. Any instrumentation is allowed.
- e. Data acquisition is allowed, no telemetry is allowed.
- f. Any rain light is allowed.

O. Weight

The car shall weigh 1270 lbs. minimum, including the driver.

- a. Ballast must be placed between the front dash bulkhead and the front engine bulkhead. They shall be fastened securely to the floor with flat head 5/16 bolts, washers and nuts on both ends of the weight.

P. Accessory Items

- a. Mirrors are free.
- b. Two-way radios may be installed in the car. All components shall be securely attached and approved by Tech inspection.
- c. Racers tape may be used to repair crash damage, or as a precautionary means of securing the body panels or retaining latches. Crash-damage is defined as having occurred during the current event, and the tape should be of an appropriate color if possible. Taping of body seams is not allowed.
- d. The spark plug wires may be fire sleeved and may be loomed, but must be original Mazda wire as supplied by Enterprises.
- e. Engine compartment fluid hoses may be insulated using heat shield or wrap.
- f. Front and rear tow hooks are required, see GCR section 9.3 Towing Eyes.
- g. Enterprises Part #WM11592302 Throttle Cam/Cable Update is recommended.
- h. Enterprises Part #WM114001 Thermostat Kit is permitted.
- i. Enterprises Part #WM 801004 Rotor Temp Bands are permitted.
- j. Enterprises Part #WM301062 Intake air baffle

Q. Updates

Provisions will be made for updates on all safety and mechanical improvements. When part updates are needed, because of reliability, supply or obsolescence, testing of parts from alternative, updated sources with direction and approval from SCCA Enterprises may be used in sanctioned events. Such updates will be **effective** when finalized by Enterprises, announced by the National Office, and published in Fastrack.

R. Vehicle Logbook

The Vehicle Logbook for each Enterprises Formula Car remains the property of Enterprises and will contain not only the record of technical inspections, but also the major maintenance performed and all transfers of

ownership. The Vehicle Logbook number will be the same as the factory chassis number that is stamped on the name plate mounted on the fuel cell behind the driver's shoulders. When the vehicle is sold, traded, or scrapped, the logbook shall be sent to SCCA Enterprises 14550 E. Easter Ave Suite 400 Centennial, Co. 80112. The logbook will then be reissued to the new owner. When the logbook has been filled, a new one shall be requested from SCCA Enterprises.

A FEE OF \$200 WILL BE CHARGED FOR LOST LOGBOOKS.

The logbook shall be presented at scrutineering for each event entered. All Enterprises Formula Cars are subject to normal safety inspection. Additionally, scrutineers will check each official seal. A competitor may not be barred from competing at a specific event if a seal is broken, damaged, lost or part not properly labeled but the part may be considered suspect and will be treated as such and will be required to be sent back to Enterprises for inspection. If engine cam cover or oil pan seals are broken, damaged, or missing, the engine shall be removed and sent to Enterprises for testing and resealing. The competitor will bear all expenses at the competitor's cost prior to the next event.

S. Seals

Enterprises engine seals are required for all races. Any competitor who runs an event without all proper engine seals in the required locations shall have his engine removed and shipped to Enterprises for testing and sealing after that event. The competitor will be responsible for all cost incurred by this procedure regardless of the findings, and subject to penalty by the SOM if engine is found to be not as specified.

SCCA Enterprises seals are required on all Formula Car Engines.

Any counterfeit engine seal found by an authorized representative of SCCA, Inc., or SCCA Enterprises shall immediately render that engine illegal for further use, without need of dyno testing or inspection. SCCA Enterprises will not be under any obligation to bring an illegally sealed engine back to legal condition. Penalties shall include all of the following: 20.1., 20.2., 20.3., and 20.4.

T. Penalties (Specific to Enterprises Spec Cars)

If a competitor refuses to give his engine and/or unlabeled parts for testing per a request of the Chief Steward, the following penalties will automatically be imposed:

- a. Vehicle logbook will be impounded.
- b. Disqualification from a competition or the event.
- c. Suspension of SCCA competition privileges for thirty (30) days.
- d. The car and *drivetrain* are suspended from competition until the unit(s) specified by the Chief Steward are replaced.

In a case where a competitor does comply with the Chief Steward's request to have an engine and/or parts inspected and the impounded unit(s) are found legal, the SCCA, will stand all the costs incurred for the testing, including shipping. Should the impounded unit(s) be found illegal, the following penalties will be imposed:

- a. Disqualification from a competition or the event.
- b. A fine of \$250.00.
- c. \$500.00 testing fee plus freight charges paid to Enterprises.
- d. Competition privileges will be suspended immediately, and the suspension will continue for a minimum of thirty (30) days after the date when all fines and costs are paid in full and the license is received by the Chairman SOM or the SCCA Topeka Office.
- e. For a second illegal *drivetrain* offense, the competitor will be permanently disqualified from further Enterprises Formula Car competition.

U. Enterprises Formula Car *Drivetrain* Protest

- a. Protests shall be filed per the GCR.
- b. Protestor will specify the *drivetrain* item suspected (i.e., transmission or engine). The teardown bond to remove the motor and transmission is in three (3) parts:
 1. Remove and replace motor and transmission - \$400.00
 - a. Will be done by an SCCA representative or other shop that is equipped for this type of work and will be paid directly.
 2. Ship motor to Enterprises and test - \$500.00 plus freight and crating charges
 - a. Enterprises will inspect the motor, (item 2), and will notify the Chairman SOM as soon as possible as to the results.
 3. Protest Fee: Regional - \$25.00, National - \$50.00.
- c. Enterprises shall retain the evidence, and the SCCA shall retain the fee, (item 3), until the period for appeal has passed.

9.1.1. Formula Enterprises (FE) Specifications

- d. The Chairman SOM is required to inform Enterprises of the protest using the FE Protest Information Form. A copy of the protest shall be sent to Enterprises.

If the protest proves to be valid and any appeal fails, the protest fee, (item 3), will be returned to the protestor. Also, the protestee will be required to reimburse the protestor the remaining fees (\$900). The protestee will not be allowed to compete again until all costs are paid. If found legal, the protestor forfeits fee (items 1 and 2) above.

- e. If found illegal, competition privileges will be suspended immediately, and the suspension will continue for thirty (30) days after all costs are paid in full.
- f. For a second illegal *drivetrain* offense, the competitor will be permanently disqualified from competing in FE/FE2 competition.

J. FORMULA X PREPARATION RULES

- A. Purpose and Philosophy - The Formula X class is intended for winged, open-wheel formula cars of modest power and performance (sub FA/F3/F1000). The class is to include cars which a) are built in significant numbers, but not sufficient enough to populate their own class; and b) may not have been constructed to existing class formulas within the GCR. The class may also include cars which have been built to a recognized SCCA formula but are not running in sufficient numbers to warrant their own class. The class is not intended for unique one-off or prototype open wheel cars which are not widely available; those should be classed in FS. Power, size and weight of cars which are proposed for classification will be considered together with their respective performance. It is recognized at the inception that parity among the various cars that are eligible, or which may be classed, may not exist or be achieved by reasonable means. No car shall be considered for classification until all specifications of the chassis/tub, aero devices and wings, suspension, brakes, body, engine, ECU and all associated components have been submitted to SCCA. The party seeking classification shall be responsible for supplying, at their expense, all necessary technical specifications for the car along with evidence of performance as may be required by the appropriate committees and boards. The petitioning party shall further provide, at their expense, all necessary software, cabling and other peripheral devices required for inspection of electronics and measurement of unique engine and vehicle attributes. Cars classified in Formula X may, at the discretion of SCCA, be subjected to periodic adjustments in performance by and through various means including, but not limited to weight and intake restriction. Cars may be de-classified at any time by SCCA.
- B. Eligibility - the following cars are approved for competition within Formula X:
1. Formula Mazda – Shall comply with notes in Table 1.
 2. Formula 4 – Shall comply with FIA Formula 4 Technical Regulations (2015) and all subsequent safety requirements as issued by the FIA and/or SCCA, except that tire choice is unrestricted.
 3. USF2000 (tube frame) – Shall comply with FRP F2000 Technical Specifications (2018)
 4. Pro Formula F2000 (tube frame) – Engine must be prepared to current FC rules.
 5. Ex-Pro Formula Super Vee - Shall comply with notes in Table 1.
 6. FormulaSPEED - Shall comply with notes in Table 1.
 7. Formula Ireland / Formula FX - Shall comply with notes in Table 1.
 8. 2000-2009 Formula Renault 2.0 / Fran-Am 2000 - Shall comply with notes in Table 1.
- C. Engines – Engines which have been sealed from the manufacturer or builder are subject to full inspection by SCCA stewards and/or technical staff. The competitor shall be responsible for all costs associated with reassembly and re-sealing of the engine.
- D. Electronics – Each competitor shall have available the necessary cabling to permit inspection of ECU's and required data acquisition devices. Competitors shall make all collected data available to SCCA upon request at the end of a session or at other reasonable times
- E. Fuel – Shall be compliant with 9.3.25 and other applicable supplemental rules as may be published by SCCA from time to time.
- F. Non-Metallic Chassis Construction – Cars which are proposed for classification which feature non-metallic chassis construction must comply with 9.3.35. Certifications must be on file with the SCCA Technical Services Department in advance of the car being classified.
- G. Restraint Harness – Driver safety harnesses must comply with 9.3.18.
- H. Fire Suppression Systems - Fire suppression systems must comply with 9.3.22.

9.1.1. Formula X (FX) Specifications

- I. Roll Hoop – Rollover hoops must comply with 9.4.5 unless they are otherwise FIA approved and are clearly designated as such. Certifications for alternative roll hoop designs must be on file with the SCCA Technical Services Department in advance of the car being classified.

- J. ID Markings - Cars must bear identification and safety markings as provided in 9.3.28 and 9.3.33.
- K. All cars competing in Majors Races and the Runoffs must have the AIM part #X47KPF SOLO2R0 data box mount installed on the vehicle to provide the necessary mounting of the AIM Solo 2 data box. The mounting surface is to be approximately oriented either horizontally or vertically either parallel or perpendicular to the longitudinal axis of the car and must be accessible from the exterior of the car with the driver on board -- it should have a view of the sky, and not be located under carbon fiber or metallic bodywork. Sufficient space should be left between the mounting plate and the surface to which it is attached to permit the use of zip ties/tie straps to restrain the data box to the mounting plate. The purpose of this requirement is to allow the random placement of data boxes on cars in the pre-grid by SCCA assigned personal and the collection of the box when the car exits the racetrack. Contact AIM and their distributors for direct purchase.

Table 1

Car	Engine	Wheel Width (in) ± .060	Aero	Transmission	Weight	Notes
Ex-Pro Formula Super Vee	1600cc VW non- cross-flow head or 1835cc VW	(F) 6 Min. (R) 8 Min.	See notes	Up to 5 forward gears, limited slip and locked differential allowed	1190	Car must be prepared to original professional racing rules. Engine must comply with GT engine preparation rules; no changes in bore and stroke. May use either Weber-type side draft carburetors with no restrictor or fuel injection with 37mm restrictor located between cylinder head and butterflies.
FIA Certified F4	See notes	See notes	See notes	See notes	See notes	Upon request, competitors must provide a copy of the rules in effect when the car was certified by the FIA. Tire choice is unrestricted.
Formula Ireland / Formula FX	2.0 Liter Zetec-E Silver top	(F) 6 Max. (R) 8 Max.	See notes	Hewland LD200 with 4 forward gears and reverse	1270	Car must comply with specifications found here: https://www.scca.com/pages/technical-forms-and-downloads
Formula Mazda	Six (6) port Mazda	(F) 8 (R) 10	See notes	5 forward speeds with approved gear ratios and reverse. Torque biasing devices and limited slip and locking differentials prohibited.	See notes	Marking tires is no longer required. Car must comply with specifications found here: https://www.scca.com/pages/technical-forms-and-downloads The following exception applies: Minimum weight is 1270 lb.
Formula Renault 2.0 (00-09)/ Fran-Am 2000	2.0 Liter Renault F4R 832	(F) 8 (R) 10	See notes	See notes	1250	Engine must remain sealed. Car must comply with Formula Renault 2.0 technical regulations and specifications found here: https://www.scca.com/pages/technical-forms-and-downloads . The following exceptions apply: Tire choice is unrestricted. No part of the car may be altered from original Formula Renault 2.0 components, except for necessary repairs that do not affect performance. The CRB may require a Flat Plate Intake Restrictor or reclassify the car at any time.
Formula SPEED (FS2.0)	2.0 Liter Mazda MZR	(F) 8 (R) 10	Adjustable dual rear main planes. Fixed front main plane, adjustable front winglets. Wings and bodywork are delivered with FS2.0 marking that must remain visible for scrutineering.	6 forward speeds and reverse with open differential. No lift shift system.	1350	Must use sealed ECU map and sealed engine, FS2.0 sealed Ohlins TTX dampers, spec three-piece FS2.0 wheels with FS2.0 logo, and spec FS2.0 intake manifold. No part of the car may be altered from FS2.0 original parts, except for repairs that do not affect performance. Car must comply with specifications found here: https://www.scca.com/pages/technical-forms-and-downloads .
Pro Formula F 2000 Tube Frame	2.0 Liter Zetec	(F) 8 Max (R) 10 Max	See FA Rules	Up to 4 forward gears, limited slip differential (sequential carries a 25 lb. weight penalty)	1210	Engine must be prepared to current FC rules.
USF2000 Tube Frame	2.0 Liter Mazda MZR	See notes	See notes	See notes	See notes	Car must comply with FRP MAZDA MZR F2000 Technical Specifications (2018) found here, https://www.scca.com/pages/technical-forms-and-downloads , with the following exceptions. Any Hoosier tire measuring 20.5 x 7.0 x 13 (front) and 22.5 x 8.0 x 13 or 22.0 x 8.0 x 13 (rear) may be used. Spec sealed Dynamics 1640 shock absorbers may be replaced with any shock absorber that complies with the current FC rules. Spec PFC brakes may be replaced with Wilwood Calipers No. 120-13863-N (right) and No. 120-13864-N (left) and Wilwood Pad No. 150-14781K. Spec Mazda spark plugs may be replaced with Bosch spark plug Part No. F 000 KEO P45 7ZB. ECU: Either the Pectel T2 ECU or the Performance Electronics PE3-8400 is required. Cars that use the Pectel T2 ECU must have an accessible and operable communications port for a stereo jack; cars that use the PE3-8400 ECU must have an accessible and operable communications port for an ethernet connection. The SCCA tune-file/map for the Pectel T2 and PE3-8400 on the official SCCA website is required. The PE3-8400 tune-file/map must be loaded with PE3-8400 Monitor firmware V3.04.50. Competitors may be required to cycle the master switch to kill the engine at the request of a steward on the grid before a qualifying session or race.

4. Intake manifolds are unrestricted.
 5. Any throttle linkage may be used. All throttle linkages shall be equipped with more than one system of positive throttle closure
- c. Fuel System**
1. Any fuel line(s) may be used. All fuel line(s) passing through the driver/passenger compartment shall be made of metal braided hose with AN-Series threaded couplings.
 2. Any fuel pump(s), filter(s), and pressure regulator(s) may be used. Such components may not be located in the driver/passenger compartment, but their location within the bodywork of the car is otherwise unrestricted.
- d. Emission Equipment**
1. Exhaust emission control equipment shall be removed in their entirety. When air injection nozzles are removed from a cylinder head, the resultant holes shall be completely plugged.
- e. Cylinder Heads**
1. The standard production, optional, or specified alternate(s) cylinder head(s) shall be used. Any valve guides and valve seats may be used.
 2. Material(s) may be added to the combustion chamber(s) and interior ports/passages of the cylinder head(s). The addition of such material(s) shall not enable the combustion chamber and/or interior ports/passages to be moved external to the original physical limitations of the cylinder head(s).
 3. V-6 and V-8 General Motors engines are permitted: Buick, Chevrolet, Oldsmobile, Pontiac, aluminum V-6 GM bow tie block, Brodix, Brownfield, Dart, Edelbrock, Pro Action 14-degree, or Airflow Research 210, 215, 220, and 227 cylinder heads of cast iron or aluminum. All Pro cylinder heads, AP227, AP220, AP272 and part #270-LM-13 is permitted. Any cylinder head(s) utilized shall be of a conventional design (Siamesed intake ports, two (2) valves per cylinder, all valves inline), direct replacement type. General Motors SB-2 cylinder heads are permitted.
 4. V-6 and V-8 Ford engines are permitted: Ford Motorsports inline-valve or canted-valve cylinder heads of cast iron or aluminum. Alternate cylinder heads from Airflow Research, Brodix, Cylinder Head Innovations, Dart, Edelbrock, Pro Action, and World Products. Any alternate cylinder head(s) utilized shall be of a conventional design (two valves per cylinder, all valves inline) direct replacement type.
 5. V-6 and V-8 Chrysler engines are permitted: MOPAR Performance conventional design (siamesed intake ports, two (2) valves per cylinder, all valves inline), direct replacement cylinder heads.
- f. Camshaft and Valve Gear**
1. Any camshaft(s) mounted in the standard location(s) may be used. Any cam followers may be used. Springs and mounting hardware which act directly on the cam followers may be added.
 2. Camshaft drive mechanism is unrestricted.
 3. Push rods, rocker arms, and rocker arm supports are unrestricted.
 4. Valves are unrestricted.
 5. Valve springs, retainers, keepers, and seals are unrestricted.
- g. Block**
1. The standard production, manufacturer's heavy duty (of the same basic materials as the original block), or specified alternate engine block shall be used. Aluminum block V8 engines are not permitted unless specifically classified in 9.1.2.E.1.c
 2. The block may be bored and/or sleeved to achieve the correct displacement.
 3. The block may be machined, and O-rings may be added to replace or supplement the head gasket(s).
 4. The crankshaft main bearing caps may be substituted. Additional main bearing caps and/or bolts may be used provided that no material is added to the block for their attachment.
- h. Pistons and Rods**
1. Pistons and piston pins are unrestricted. The compression ratio is unrestricted.
 2. Connecting rods are unrestricted, provided that they are made of a ferrous material, e.g., steel. Aluminum, titanium, graphite, etc., rods are prohibited.
- i. Crankshaft and Flywheel**

9.1.2. Grand Touring 1 (GT1) Specifications

1. The crankshaft is unrestricted, provided it is made of the same basic material as the standard production crankshaft. Those vehicles originally equipped with an iron crankshaft may use a steel crankshaft. All alternate crankshafts shall retain the same angle(s) of crank throws as the original crankshaft.
2. The use of any crankshaft vibration damper is permitted.
3. The use of any flywheel and clutch is permitted.

j. Oiling System

1. The use of any oil pan (sump), oil pump(s), and/or oil pickup(s) is permitted. Oil pump(s) shall be mechanically driven by the engine. Dry sump systems are permitted. Any oil tank(s) used by such a system shall be located within the bodywork, and any oil lines utilized within the system shall be metal or metal braided, equipped with AN-Series threaded couplers.
2. The use of any oil filter(s) is permitted.
3. The oil tank(s), cap(s), oil filter(s), and any fittings attached thereto shall be isolated by a metal bulkhead(s), so that in the event of any spillage, leakage, or failure, oil will not reach the driver.

k. Electrical System

1. The use of any driver operated electrical starter is permitted.
2. The use of any ignition system (except magneto ignition) is permitted, provided the number of spark plugs remains the same as that of the standard production, optional, or alternate cylinder head(s). Driver controlled adjustable spark timing is prohibited.
3. The remaining components of the engine electrical system are unrestricted.

l. Exhaust System

1. The components of the exhaust system are unrestricted. Refer to sections D.8.c.2., and D.8.j.3., of these rules for additional exhaust system and bodywork specifications.

m. Other Engine Components

1. Alternate engine components considered replacement parts, such as seals, bearings, water pumps, nuts, bolts, studs, washers, and gaskets are permitted. Bushings or offset keys of unrestricted origin may be installed.
2. Generator/alternator, crankshaft, and water pump pulleys are unrestricted.
3. Engine mountings are unrestricted.
 - A. Cars with the engine mounted longitudinal to the chassis may relocate the engine in a longitudinal direction, centered along the longitudinal centerline of the vehicle as defined by the track. A one (1) inch transverse deviation tolerance from the absolute centerline is permitted. Unless otherwise so fitted in its standard production location or specifically authorized in the vehicle's GTCS specifications, said relocation shall align the center of the foremost spark plug hole with the front axle centerline.
 - B. Transverse mounted engines may be relocated for axle/CV joint alignment. Alternately, they may be relocated to a longitudinal position if authorized specifically by the GTCS.
 - C. General Motors, Ford, and Chrysler front mounted V-6 engines may be positioned so that the center of the foremost spark plug hole is no more than 4.5 inches behind the front axle center line (bellhousing and transmission locations are the same as a V-8 motor).

2. Engine, Rotary Piston (GT-1)

a. Component Modification

1. Rotary piston engines in GT-1 may be prepared using GTCS specifications D.1.a., b., c., d., j., k., l., and m.
2. The standard production or specified alternate rotor housings shall be used. No changes in the epitrochoidal curve of the motor are permitted.
3. The capacity of the working chamber(s) shall not be changed.
4. The eccentric shaft may be replaced with another of the same basic material, but no changes in its eccentricity or bearing journal dimensions are permitted.
5. The rotor(s) is/are unrestricted, provided the material and number of lobes remains unchanged.

3. Cooling System (GT-1)

a. Radiator

1. Only one radiator is allowed provided that there are no changes to the exterior bodywork to accommodate its use. It shall not be located in the driver/passenger compartment. Radiator overflow line (s) shall terminate in a catch tank.

2. Separate expansion or header tank(s) are permitted. Any such tanks shall not be located in the driver/ passenger compartment.
 3. The heater core and all attendant heater controls, lines, and accessories may be removed in their entirety, but shall not be modified or replaced.
- b. Radiator Fan**
1. The cooling fan(s) may be modified, substituted, or removed.
 2. Electrically operated cooling fan(s) may be installed, provided it/they serve no other purpose.
- c. Radiator Shroud/Ducting**
1. The original radiator shroud may be altered, removed, or replaced.
 2. Sealing or shrouding the airflow area between the normal grill opening and the water radiator is permitted.
- d. Water Pump**
1. The water pump(s) may be replaced with any other water pump(s) mechanically driven by the engine.
 2. Mid-engine vehicles may use an electric water pump.
- e. Thermostat**
1. The thermostat(s) may be modified or replaced with blanking sleeves or restrictors.
- f. Oil/Lubricant Coolers**
1. The use of any engine, transmission, and differential cooler(s) is permitted, provided that it/ they are mounted completely within or under the bodywork, but not in the driver/passenger compartment.
 2. Associated cooler pumps and lines are permitted for the transmission and differential coolers.
 3. Air may be ducted to said coolers only through normal openings in the bodywork. Air ducts or other openings shall be added to body parts only where specifically authorized by these rules.
 4. Air may be ducted to the rear brakes and rear mounted coolers from an interior bulkhead behind the driver. Air may also be ducted to these components from free air under the car, provided that such under car ducting does not create "ground effects."
- 4. Transmission/Final Drive (GT-1)**
- a. Component Modification**
1. It is permitted to lighten, balance, or modify in shape, by any mechanical or chemical means, the standard, optional, or alternate components of the transmission and final drive, provided that it is always possible to identify them as such.
- b. Transmission**
1. Automatic transmissions are not permitted unless specifically authorized on a vehicle's GTCS line.
 2. Any readily available manual transmission having no more than five (5) forward speeds and an functional reverse speed may be used, provided that it is fitted in the same basic location used in the standard production automobile. Any relocation or repositioning of the transmission-to-engine dimensional relationship shall be specifically authorized by the GTCS. Sequential shifting transmissions are permitted with a 25lb. weight penalty. Air, hydraulic or electric actuation of the gearshift mechanism is not allowed.

A functional reverse is defined as "operable by the driver from his normal seated position and capable of sustained movement of the vehicle, under its own power, in a reverse direction." A driver-operated device for locking out reverse gear may be added provided it does not prevent prompt engagement of reverse in an emergency situation.
 3. Front engine/transmission vehicles shall locate the front mounting surface of the transmission within sixteen (16) inches of the back of the engine block.
 4. Any shift linkage may be used.
 5. The linkage between the clutch pedal and the clutch housing/clutch actuating mechanism is unrestricted. A mechanical linkage may be replaced with a hydraulic system.
 6. Transmission mountings are unrestricted.
- c. Final Drive**
1. Any axle tube, final drive housing, gear ratio, limited slip or locked differential may be used. Final drive units which permit ratio changes while the car is in motion are prohibited.
 2. Heavy duty propeller shaft(s) and/or drive shaft(s) may be used. A minimum of two (2) steel

9.1.2. Grand Touring 1 (GT1) Specifications

360 degree "loops" shall be installed of sufficient strength to prevent the driveshaft(s) from contacting the ground in the event of shaft and/or U-joint failure. Said loops shall be located within twelve (12) inches of the front of the shaft, and as close as practical to the rear universal joint.

5. Suspension (GT-1)

a. Suspension Components

1. Suspension components may be reinforced, modified, or replaced with units of alternate design, and their mounting points may be relocated. The addition or substitution of anti roll bars, camber compensating devices, and/or suspension stabilizers is permitted. If these devices or any other suspension components extend into the driver/passenger compartment, they shall be completely sealed off from said compartment by metal panels.
2. Hubs, bearings, spindles, axles, U-joints, CV joints, bushings, ball joints, and rod ends may be freely modified or substituted.
3. The wheelbase of the automobile shall not be changed or relocated in the fore/aft direction. A tolerance of +/- 2.00 inches from published specification shall be permitted unless otherwise noted in the GTCS. Alternatively, any purpose built tube frame car can be built to a 102 inch wheel base to enable eligibility in both GT-1 and Transam events.

b. Springs/Shock Absorbers

1. Suspension springs may be replaced with others of unrestricted origin and type.
2. Shock absorbers are unrestricted, except that the number of shock absorbers fitted shall not be changed from that of the standard production automobile. No hydraulic or pneumatic inter-connecting or cross linking of shocks is allowed.
3. Shock absorber mountings are unrestricted.

c. Suspension Control

1. The manufacturer's basic system of front suspension shall be retained, i.e., independent. Strut type front suspension may be replaced with a double A-arm type suspension. Rocker Arms, push/pull rods, etc. are prohibited.
2. The manufacturer's basic system of rear suspension may be retained, i.e., independent, live axle, etc.. All forms of independent rear suspension may be replaced with a closed tube beam, live axle suspension. Cars originally equipped with live axle rear suspension shall not replace said suspension with any type of independent suspension.
3. Automobiles originally manufactured as FWD vehicles may convert to RWD, but shall only use a closed tube beam, live axle rear suspension.

d. Steering

1. The front wheels only shall be steered by the driver.
2. The type of steering is unrestricted, provided that a collapsible type of steering column is used.

6. Brakes (GT-1)

a. Brake Components

1. The use of any dual master cylinder and/or pressure equalizing device is permitted. All cars shall be equipped with a dual braking system operated by a single control. In the case of leakage or failure to any point in the system, effective braking power shall be maintained to at least two (2) wheels.
2. Servo assist braking systems are unrestricted.
3. Backing plates or shields may be removed. Brake air ducts may be fitted, provided they extend only in a forward direction, and that no changes are made in the bodywork for their installation.
4. Parking brakes may be removed.
5. The brake lines shall be steel tubing, metal braided hose, or flexible brake hose. Lines may be relocated and given additional protection.
6. Brake discs, calipers, and/or drums are unrestricted, provided that the discs or drums are mounted in the same location (e.g., outboard vs. in-board) as the standard production automobile.
7. Water spray brake cooling systems are permitted. No water cooled calipers are permitted.
8. Carbon brake rotors are prohibited.

7. Wheels and Tires (GT-1)**a. Wheels**

1. Wheels shall have a maximum width of twelve (12) inches in the front and thirteen (13) inches in the rear. 18" tires shall have thirteen (13) MAX inches in the front and fourteen (14) MAX inches in the rear.
2. Centerlock or quickchange wheels are permitted.
3. For cars not specified to allow 18 inch wheels, 18 inch wheels permitted with a 50 pound weight penalty.

b. Tires

1. Tires are unrestricted, except that they must meet the requirements of GCR Section 9.3 Tires.

8. Body/Structure (GT-1)

- a. The intent of these bodywork/configuration rules is to maintain the recognizable external features of the standard production automobile while providing for necessary safety and performance modifications.

1. Lightening of the bodywork is permitted, but the exterior shape of the body shall not be changed except where specifically authorized herein.
2. The method of bodywork attachment is unrestricted, and shall meet the requirements of the GCR. Section 9.3 Loss of Bodywork.
3. Maximum overall car width shall not exceed 80.65 inches. Existing cars built to 84.75 inches with a logbook history of running in that configuration may continue to do so.
4. Trans Am approved bodywork and wheelbase specifications are allowed unless otherwise specifically prohibited by these rules. Trans Am bodywork shall be in a configuration that is approved for past or present Trans Am competition. If body panels do not have the official Trans Am bodywork approval decal, the competitor is allowed to present a receipt of purchase from the manufacturer or it's agent for verification. No additional spoilers, splitters, air dams or other aerodynamic devices not incorporated in the original approved body may be run. No undertray may extend beyond the outline of the original Trans Am approved body.
5. Convertible tops, sunroofs, and removable panels shall meet GCR Section 9.3 Detachable Panels/Sunroofs. As of 1/1/2002, all newly classified convertible models will be required to compete with a windshield and hardtop. Convertible models classified before 1/1/2002 will be allowed to compete without a windshield and/or top, regardless of logbook issue date, unless specified differently on the vehicle specification line.
6. Two (2) hood louver panels are allowed, they must be located on the hood/front fender between the radiator and the rearward edge of the hood, max. size of 20" x 10" with a minimum of five (5) slots.
7. Current Trans Am bodywork is allowed with a 75lb. weight penalty.

- b. Any bodywork components may be fabricated of alternate material(s), provided that their shape remains as specified herein, unless specifically prohibited elsewhere in these rules.

- c. Fenders may be flared for tire clearance, provided that their shape and opening contour in horizontal projection is similar to the original opening.

1. Modified wheel opening(s) shall not confuse the identity of the car. The fender flares shall completely cover the highest point of the tires, and may extend into the doors and bumpers.
2. Rear fenders may have holes or slots to accommodate exhaust outlets. These holes or slots shall be below a line seven (7) inches above the bottom of the rocker panel, and shall be no wider than seven (7) inches.
3. The inner fender panels separating the wheel wells from the engine compartment may be altered, replaced, or removed, provided that there are panels which provide total separation between the wheel wells and the driver/ passenger compartment.

- d. The hood and deck lid/trunk hinges and latches may be removed. The hood and deck lid/trunk may be "molded in" with other bodywork components to create "one-piece" front and rear ends. Misalignments or modifications to create ventilation openings where none previously existed are prohibited.

The hood may be modified for clearance of an airbox, provided that such alteration does not confuse the identity of the car.

- e. Bumpers that are not an integral part of the bodywork may be removed, providing that all projecting hardware is also removed. Alternately, they may be replaced with replicas of alternate material(s). In those cases where bumpers are an integral part of the bodywork, they may be replaced with

9.1.2. Grand Touring 1 (GT1) Specifications

replicas of alternate material(s). Bumper bracket holes in the bodywork may be covered, provided such covering serves no other purpose.

- f. The standard grille(s) or approved facsimile(s) shall be retained, except where covered by the front spoiler or intermediate spoiler mounting device.
- g. The original angle of the windshield shall be maintained unless alternate components and/or specifications are specifically authorized in the GTCS.
- h. All cars may use a standard safety glass windshield, mounted in the stock location and at the stock angle. In addition to any other method of retention, the windshield shall be secured within the specifications of GCR Section 9.3 Windshield Clips. Polycarbonate windshields such as Lexan are allowed. Alternate windshields must be of 6mm minimum thickness. Alternate material windshields must be identical in size and curvature to the original glass component. Alternate material windshields must have in addition, three (3) inner supports to prevent the windshield from collapsing inward. These supports must be 0.75" by .125" minimum straps of aluminum. Spacing between these inner supports must be eight (8) inches minimum. In place of clips, polycarbonate windscreens may be mounted using a fastener spaced a minimum of every 12 inches across the top and sides, with a minimum of four across the bottom. Alternatively, the bottom may be captured in a channel.
- i. The rear quarter (side) and rear windows may be made of clear, transparent, and uncolored polycarbonate material having a minimum thickness of 3mm.
 - 1. Ducts may be installed in the side windows or window openings for the purpose of supplying cooling air to the driver and/or differential/transmission coolers. Air passing through the differential/transmission coolers may be exhausted through an opening identical in size and location to the rear license plate frame.
- j. Doors
 - 1. Driver and passenger door window glass or plastic shall be removed. Inside door handles, door panels, window cranks and mechanisms, and other interior trim pieces may be removed.
 - 2. The doors shall be pinned or otherwise positively fastened to prevent their opening in the event of an accident. Standard door hinges and latches may be removed, but the doors shall remain capable of being opened or removed, unless the doors are integral to the remainder of the bodywork. The stock side impact beams may be removed.
 - 3. Doors may contain holes or slots to accommodate exhaust outlets. Any such openings in the door(s) shall be below a line ten (10) inches above the bottom of the rocker, and no wider than seven (7) inches. A maximum of two (2) such exhaust openings are permitted on the door.
- k. Spoilers
 - 1. A front spoiler may be fitted. It shall not protrude beyond the overall outline of the car as viewed from above except for a front splitter that may extend up to five (5.0) inches. Trans Am approved bodies have a unique splitter that is approved as a part of the body, and as such, is exempt from the 5.0 inch dimension. The additional splitter is allowed only on air dams not already incorporating a splitter that extends forward of the factory bumper. The spoiler shall not extend aft of the forward most part of the front fender opening (cutout), and shall not be mounted more than four (4) inches above the horizontal centerline of the front wheel hubs. Full-width bottom shrouding of the front spoiler/nosebox area (front undertray) is permitted but must be flat and can extend no farther rearward than the center of the engine harmonic balancer. Undertray may not be stepped or curved. Undertray may be angled in side view to produce a maximum height at the trailing edge of 3.25 inches above the ground.

Openings are permitted for the purpose of ducting air to the brakes, radiator, airbox and/or oil cooler(s); equal openings may be placed in the standard lower front panel directly behind openings placed in the spoiler. Joint separations need not be shown. The spoiler "pan" area forward of the leading edge of the front wheel openings shall be flat and follow, but not exceed, the line of the front fender/spoiler bottom. No components may protrude or extend below this plane.
 - 2. The Club Racing specified rear wing or a flat plane rear spoiler may be used. If a flat plane rear spoiler is used, it shall be contiguous with the rear bodywork rearward of the rear window, and shall comply with the following:
 - A. Height: No higher than eight (8) inches, measured from the bodywork along the face of the spoiler, from the point of attachment to the top of the spoiler. In the case of a spoiler with a curved top edge conforming to the shape of the bodywork (rearview), the measurement is to be made perpendicular to the tangent of the body at the point of attachment. In the case of a spoiler mounted with a vertical mounting flange on the rear face of the bodywork, the measurement shall be made ignoring any slight amount of mounting flange exposed due to the curvature of the rear bodywork at the point of

attachment.

- B. Width and Overhang: No wider than the body, excluding fender flares, from the forward most point of the spoiler (or mounting flanges) rearward. It shall not extend rearwards of the rearmost extremity of the bodywork for the entire width of the car (when viewed vertically from above the car at any point, the spoiler shall not protrude beyond the bodywork).
- C. Mounting: Spoilers shall be strong enough to be self supporting, and shall be mounted directly to the rear hatch, deck, or trunk lid. A mounting flange no greater than one and one-half (1-1/2) inches wide, contiguous with the bodywork (either forward facing on the top surface of the bodywork or downward facing on the rear surface of the bodywork) shall be employed. No other forward facing sheet metal supports are permitted. Supplemental bracing may be added in the form of two (2) rods (maximum diameter one-quarter inch), mounted at least ten (10) inches inboard from the ends of the spoiler. Small rear supports may be added.
- D. Configuration: the spoiler shall be a single plane spoiler (a straight line in any vertical cross-section), uniform in height from the rear bodywork. There shall be no gaps or openings below the spoiler for its entire width. Only enough curvature (in a fore-and-aft direction as viewed from above) shall be permitted to facilitate mounting. The use of fences, end rails, Gurney flaps, or other forward facing lips or aerodynamic devices is prohibited.

NOTE: O.E.M. rear spoilers are not permitted unless specifically listed on the vehicle's specification form.

- E. A single element, single plane airfoil scaled to a chord length of 10.75 inches is permitted. The maximum cross-sectional tolerance of the wing profile is 0.060 inch. A maximum 0.50 inch Gurney flap is allowed at the trailing edge of the wing element. The flap must be mounted 90 degrees to the upper wing surface. No air may pass between the flap and the wing. The wing end plates must fit within a rectangle measuring 11.00 inches long by 4.00 inches tall. No portion of the wing element or flap may extend beyond the perimeter of the endplate. The endplates must be mounted parallel to the vehicle centerline, and must be perpendicular to the ground. Endplates must be flat, with no curvature or Gurney flap. The maximum width of the entire wing assembly (wing element, endplates, Gurney flap, and mounting hardware) is 72.00 inches. In keeping in line with "Trans Am bodywork is legal in GT1", An alternate rear wing of 12" average chord length and maximum 72" long is allowed, with a maximum 1/2" tall Gurney flap, additionally endplates having a maximum size of 100 square inches. There is no weight penalty for this wing.
- F. Wing mounting specs: The entire wing assembly must be mounted below the peak of the roof (measured at the highest point of the roof). Trailing edge of wing assy. must be located within an area defined by a point; 6" forward of rearmost bodywork and the rearmost bodywork (measured at vehicle centerline). Two wing mounting posts must be used, with each one located between 16"-20" inboard from end of wing. The exposed portions of the wing posts shall not exceed 85 square inches each. Curved mounting brackets will be measured as if they're in a flat plane as viewed from the side. Mounting brackets are to be included in the measurement. Max. wing angle from horizontal is 30-degrees.
- I. Glass/plastic headlights, front parking and signal lights, lenses, and bulbs shall be removed. Other front lighting parts and ancillaries may be removed. Headlight, front parking and signal light, and similar standard openings in the front of the car may be used for ducting air to the engine, front brakes, and/or coolers. Such ducting may pass through interior panels for these purposes.
 - 1. The cross sectional area of a single duct shall not exceed the cross sectional area for the original (single) headlight lens.
 - 2. It is not permitted to relocate the standard openings for headlights, parking lights, signal lights, etc.. The headlight openings shall be covered with a wire screen or a panel of an alternate material, provided that such covering does not confuse the identity of the car.
 - 3. The side marker light assemblies shall be removed, and the resultant openings shall be completely closed.
- m. The windshield wiper system is unrestricted.
- n. Floors
 - 1. Driver/Passenger Compartment: The floor of the driver/passenger compartment shall maintain the basic shape and position of the original floor, i.e., flat and horizontal, relative to the car and rocker panels. It may not be curved, angled, recessed, or channeled other than as specifically authorized by these rules, and shall be made of steel and/or aluminum only.
 - A. On the passenger side of the driver/passenger compartment (only), the floor may be raised up to ten (10) inches, or a secondary floor installed at that level, to accommodate the installation of the exhaust system and mufflers. Such raising of the floor shall serve no

9.1.2. Grand Touring 1 (GT1) Specifications

other purpose.

- B. The driver/passenger compartment floor shall cover the area from the forward firewall the full width between the rocker panels, and shall extend no further aft than the forward most point of the rear wheel openings. The floor panels between the rocker panels and the outboard frame rails may be cut out or removed.
2. For front engine cars – floor panels between the engine bay firewall and the forward most point of the front wheel openings are prohibited. For mid or rear engine cars – floor panels between the engine bay firewall and the rearward most point of the rear wheel opening are prohibited. In keeping in line with “Trans Am bodywork is legal in GT1”, A front undertray is allowed, as shown in 13.15.7 of the Trans Am racing rulebook, with a 50 pound penalty.
3. The fuel cell bottom and/or floor behind the rear wheel opening shall be flat, angled upwards, and shall follow, but not exceed, the line of the rear fender bottom.

9. Driver/Passenger Compartment - Trunk (GT-1)

a. Seating

1. All standard production seats and seat backs shall be removed. The driver’s seat shall be replaced with a one-piece bucket-type race seat. Such seat shall be installed so that a second seat of the same dimensions could be simultaneously fitted to the passenger’s side of the car (no center seating), or a beaded or poured formed seat with fore, aft and lateral support equivalent to that of a bucket-type seat. Such seat shall be installed on one side of the Chassis and driveline (no center seating).

b. Steering Wheel

1. Any steering wheel and wheel quick release mechanism complying with GCR Section 9.3 Steering Wheel Locks, may be used.

c. Gauges/Accessories/Driver Convenience

1. The replacement, addition, or removal of accessories (gauges, switches, indicators, etc.) is permitted. Such installations and/or modifications shall have no influence on the mechanical performance of the car. Similarly, they shall not include the substitution or replacement of any element of the bodywork or chassis except where specifically authorized by these rules.
2. Fresh-air ducts to the driver may be added to the A-pillar area. They shall be distinctly separate parts from the bodywork. Roof louvers (vents) are allowed for the express purpose of venting the driver’s compartment. A maximum of 24 square inches of open area and a maximum number of twelve openings are allowed. Each opening shall be no larger than 4” x ½”.
3. The use of any mirror(s) meeting the requirements of GCR Section 9.3 Mirrors, is permitted.

d. Interior Modifications - Firewall/Bulkheads

1. Modifications may be made to the driver/passenger compartment for the convenience of the driver and to permit the installation of required safety equipment. Such modifications shall have no influence on the mechanical performance of the car. Similarly, they shall not include the substitution or replacement of any element of the bodywork or chassis except where specifically authorized by these rules.
2. Floor mats, upholstery, and all interior trim shall be removed.
3. There shall be a firewall between the driver/passenger compartment and the engine compartment/ bay. It shall be made of steel and/or aluminum and shall be transversely positioned in the approximate location of the original.
 - A. It shall extend, at minimum, from the left outboard frame rail to the right outboard frame rail, and at maximum from the left outer door skin to the right outer door skin.
 - B. It shall be designed, in conjunction with the floor and driver/passenger compartment interior panels and bulkheads, to prevent the passage of and isolate the driver from flame, fluids, and debris.
4. There shall be a steel and/or aluminum bulkhead completely separating the driver/passenger compartment from the compartment containing the fuel cell.
 - A. The forward most element of this separation shall consist of a vertical transverse bulkhead behind the driver, extending the full width of the compartment from the floor to the top of the door.
 - B. Behind this rear bulkhead there shall be a steel and/or aluminum horizontal bulkhead the full width of the interior of the car or between the inner fenders extending from the vertical bulkhead to the rear of the fuel cell.
 - C. These two bulkheads shall, together, completely cover and isolate the rear suspension,

coolers, ducting, etc. so that none of these items are visible when viewed from above. The fuel cell shall also be covered and isolated unless the car is equipped with the optional bulkhead listed below in Paragraph 5. *Oil tank tops may be visible.*

- D. All fuel filler, overflow, vent, discriminator, or return lines or components that extend beyond the limits of the vertical or horizontal bulkheads into the driver/passenger compartment shall be metal, metal braided line, or independently shielded with an additional steel and/or aluminum bulkhead.
- 5. An additional vertical, transverse bulkhead is permitted behind the driver. It shall be located above the mandatory vertical bulkhead and shall allow the driver adequate vision to the rear. It is recommended that this additional bulkhead be made of a clear, transparent polycarbonate material.

10. Safety (GT-1)

a. Steering Column/Locks

- 1. The steering column shall be a collapsible type, either by layout design or by column construction, and shall comply with GCR Section 9.3 Steering Wheel Locks.

b. Fuel Cell

- 1. No part of the fuel cell shall be closer to the ground than six (6) inches, unless contained within and above the lowest part of the basic structural frame rails of the vehicle and fully enclosed.
- 2. The fuel cell shall be located in approximately the same location as in the original vehicle, or may be relocated behind the rear axle. It shall not be located within the protected area of the driver/passenger compartment unless specifically authorized in the GTCS.

c. Brake Lights

- 1. Two (2) operating brake lights and two (2) operating tail lights are required at the rear of the car.
- 2. The original tail light and brake light lenses shall be retained, and shall be located in their original positions.
- 3. Tail lamp decals are permitted only on GTA/ASA/NASCAR type bodies. The decals must be in the approximately stock location and the brake lights must be centered and visible within or behind the decals.

d. Hoses/Lines

- 1. All fuel, oil, and coolant lines (including those lines that perform fill, overflow, vent, return, etc., functions) which pass through the driver/passenger compartment shall be made of metal or metal braided hose, and shall be equipped with AN-Series threaded couplers.
- 2. For front engine cars, no oil or fuel line located to the rear of the transverse engine compartment firewall shall be located in a compartment or otherwise restricted area which also contains any component of the exhaust system.

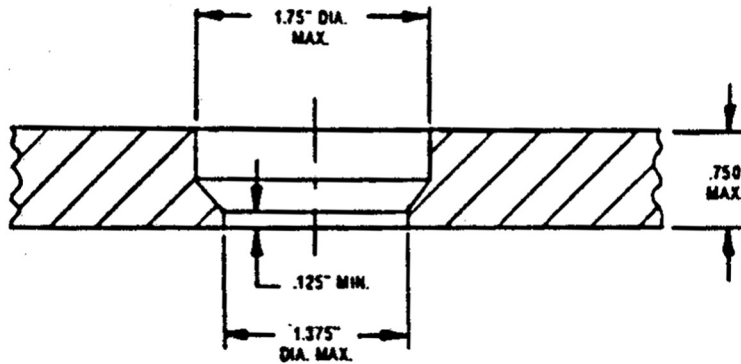
E. APPROVED AUTOMOBILES/NOTES

1. Notes (GT-1)

a. Carburetors/Fuel Injection

- 1. Any modular 4bl carburetor may be used with a maximum of a one and eleven-sixteenths (1-11/16) inch throttle bore, unless alternate carburetion and/or dimensions are specified in the GTCS.
- 2. Unless otherwise specified or permitted by the GTCS, fuel injection is prohibited on GT-1 automobiles as of January 1, 1994.
- 3. Pushrod V-6 engines may run a single Holley Model 4500 carburetor, but the minimum weight shall be increased to that of the same displacement fuel injected car.
- 4. V-8 engine cars with engine displacements of greater than 366 cubic inches (6.0 liters) shall use a one and three-eighths (1-3/8) inch throttle bore restrictor plate, mounted beneath the carburetor, as specified in the diagram.

9.1.2. Grand Touring 1 (GT1) Specifications



Required Restrictor Plate for GT Engines over 6.0 Liters (366CID).

Throttle Restrictor Plate Material: Aluminum, Thickness 0.75" Maximum.

1.375" Restrictor – Hole must be maintained for a depth of 0.125" Min.

Relief angles to clear Butterflies, Unrestricted.

5. Refer to Sections D.1.b. and c. of these rules for additional induction system specifications.

b. Weight

1. The weight chart is applicable to all cars unless alternate weight(s) is/are specified in the GTCS.

WEIGHT CHART FOR GT-1

Type - cubic inches (liters)	= Carb
V-6 - up to 275 (4.5)	= 2345
V-8 - up to 311 (5.1)	= 2585
V-8 - 312 (5.1) to 335 (5.5)	= 2685
V-8 - 336 (5.5) to 366 (6.0)	= 2780
V-8 - over 366 (6.0) *	= 3070

Trans Am spec:

Chevrolet/GM - R07 + 25 lbs.

Ford - FR9 + 25 lbs.

Dodge - R7 + 25 lbs.

*With restrictor to 1-3/8" throttle bores per restrictor plate diagram.

Weight in pounds with driver

2. All cars using a production based transmission *with syncros* and having no more than four (4) forward speeds and a working reverse speed may reduce the listed weight by fifty (50) pounds.

Note: A production based manual transmission is defined as a unit that retains original type gears (i.e., no straight cut, dog ring type gears). It shall be located in the same basic position as used in the production automobile, retaining the standard bellhousing dimensions, and may use any shift linkage.

3. All cars competing on ten (10) inch wide rims or less may reduce the listed weight by fifty (50) pounds.

GT1 Approved Automobile List

Make/Model	Wheelbase
American Motors Corporation	
Concord	108.0"
Javelin	109.0"
Spirit	96.0"
Chrysler Corporation	
Chrysler Laser X/T	97.0"
Dodge Challenger SRT (2014)	102.0/104.0"
Dodge Daytona	97.0"
Dodge Avenger	106.0"
Dodge Viper GTS	96.2"
Note: Viper shall use a class legal Dodge engine.	
Dodge Viper Competition Coupe	
8.3L sealed engine (4.03" x 3.96"), Comp. ratio: 9.6:1, Trans ratios: 2.66, 1.78, 1.30, 1.00, 0.74, 0.50, Wheelbase: 98.8", Track (F&R): 62.8" / 63.3", Wheels (F&R): 18x11 / 18x13, Tire size (F&R): 305/30 / 335/30, Weight: 3065 lbs. Cars must remain in the original configuration, factory optional equipment is not allowed.	
DeTomaso	
Pantera	99.0"
Ford Motor Company - Ford	
Falcon	105.0"
Fusion (bodywork)	106.0"
Mustang (1965-68)	108.6"
Mustang (1969-70)	108.0"
Mustang (1979-93)	100.5"
Mustang (1994-1998)	100.5"
Mustang (1999-2004)	100.5"
Mustang (bodywork) (05-10)*	106.0/110.0"
* ACP (2010) MUSTANG bodywork only may add 2.0" to the front splitter length.	
Roof height 46.5" min. (measured from the ground). Air may be ducted to the carburetor airbox through an opening in the back of the hood, rectangular in shape, maximum width of 20", maximum length 3.5". Opening may extend 1" into the windshield. Mustang Five Star (2018) TA2 body allowed.	
Probe V-6 or V-8	99.0"
Thunderbird (1983-89)	104.0"
Thunderbird (1990-)	105.0"
Taurus (2 door) (98-)	110.0"
Ford Motor Company - Lincoln/Mercury	
Capri (1979-86)	100.5"
General Motors Corporation - Buick	
Regal	108.1"
Somerset	108.1"
General Motors Corporation - Cadillac	
CTS-V (2015)	102.0"
General Motors Corporation - Chevrolet	
Beretta	103.4"
Only a beam-type, live-axle rear suspension is permitted.	
Camaro (1967-69) *	108.0"
Camaro (1970-81) *	108.0"
Camaro (1982-92) V-6 or V-8*	101.0"
Camaro (1993-) V-6 or V-8*	102.0"
Camaro (2010-) V-6 or V-8*	108.0"/112.0"
Corvette (1963-67) *	98.0"
Corvette (1968-77) *	98.0"
Corvette (1978-82) *	98.0"
Corvette (1984 -96) V-6 or V-8*	96.2"
Corvette (1997) V-8	104.5"
* Alternate transmissions: THM350 based or THM400 based 3 speed.	
Corvette C6 (bodywork only) (05-) **	102.0"
** The front undertray and rear fascia and diffuser included in the ACP kit must be replaced with bodywork	

9.1.2. GT1 Spec Lines

compliant with the GT1 rules. ACP C-6 Corvette bodywork only may add 2.0" to splitter length.

Lumina (1990-)	106.0"
Monte Carlo (95-00)	103.0"/106.0"
Monte Carlo (01-02)	103.0"/110.0"
Monza	97.0"

Air may be ducted to the carburetor airbox through an opening in the back of the hood, rectangular in shape, maximum width of 20", maximum length 3.5". Opening may extend 1" into the windshield.

LS1 V8 engine allowed with stock plastic intake manifold and 75mm throttle body @ 2585 lbs.

5 Star NASCAR Camaro (2018-) body allowed.

General Motors Corporation - Oldsmobile

Cutlass Ciera (1987-)	105.0"
Cutlass (1988-)	104.0"
Toronado (1987-)	105.0"
Aurora (2dr.)	106.0"

Air may be ducted to the carburetor airbox through an opening in the back of the hood, rectangular in shape, maximum width of 20", maximum length 3.5". Opening may extend 1" into the windshield.

General Motors Corporation - Pontiac

Fiero	94.0"
-------	-------

3300cc (4-cyl.), multi-carb and fuel injected weight = 1765 lbs.

3100cc (GM V-6) multi-carb and fuel injected weight = 1765 lbs.

4500cc Chevrolet 90 deg V-6 weight = 2345 lbs.

V-6 engine may be repositioned longitudinally in the engine bay along vehicle centerline. GM V-6 bow tie block #10051141 may be used.

Mid engine configuration – may place fuel cell within the protected area of the driver/passenger compartment provided that it meets all constraints of GCR section 9.3 Fuel Cell Specifications.

Transverse V-6 may deduct fifty (50) lbs.

Firebird/Trans-Am (1969)*	108.0"
Firebird/Trans-Am (1970-81)*	108.0"
Firebird/Trans-Am (1982-1992)*	101.0"
Firebird/Trans-Am (1993-)*	102.0"
Grand Prix	106.0"
GTO	102"/110"

* Alternate transmissions: THM350 based or THM400 based 3 speed. Air may be ducted to the carburetor airbox through an opening in the back of the hood, rectangular in shape, maximum width of 20", maximum length 3.5". Opening may extend 1" into the windshield.

LS1 V8 engine allowed with stock plastic intake manifold @ 2585 lbs.

Jaguar

XK8 / XKR	100.5"
-----------	--------

Note: shall use a class legal Ford engine.

Mazda

RX-7	95.2"/95.7"
RX-8	102"
12A engine, multi-carb or fuel inj. weight = 1710 lbs.	
13B engine, multi carb or fuel inj. weight = 1710 lbs.	
20B engine, multi carb or fuel inj. weight = 1965 lbs.*	

* Alternate transmission: 6 speed transmission permitted.

Nissan

300ZX/Z31	101.2"
-----------	--------

3000cc V-6 engine, multi-carbs weight = 1815 lbs.

300ZX/Z32 (1990-)	101.2"
--------------------	--------

VG30D V-6 engine, (3) 48mm IDF with 40mm venturis weight = 1860 lbs. Permitted alternate hood: P/N 99996-Z32HP

Porsche

911	89.4"
-----	-------

3800cc 6, multi-carb or fuel injection weight, twin-plug head, dual ignition distributor weight = 1815 lbs. Factory spoiler P/N 930-512-023-00 & 930-512-021-00 (or kit# 930-512-901-01). Entire assembly only (with rubber lip). No alternate materials, no reproductions.

911 Cup 3.8 RSR

with the following additional specifications: Wheels: (F) 18 x 12, (R) 18 x 13, Allow FIA GT-2 front bumper cover, Allow FIA GT-2 "banana" rear spoiler, Transmission: 6 speed, Type G50/30, Weight: 2230 lbs (w / driver). Original, factory-installed Matter roll cage structures permitted.

Boxster

89.4"

alternate engine: 3.8 liter air-cooled, multi-carb or fuel injection, twin-plug head, dual ignition distributor. weight = 1815 lbs. Shall have windshield and hardtop installed by 1/1/2003.

944/968

94.5"

2981cc 4, DOHC, Bore x Stroke (mm) 104.0 x 88.0, Aluminum crossflow, Unrestricted, Twin (2) Turbo
Weight = 2585.

GT3 R/RS (00-02)

3600cc, Wheels: (F) 18 x 10", (R) 18 x 11", Allow FIA GT-2 front bumper cover, Allow FIA GT-2 "banana" rear spoiler, Transmission: 6 speed Type G50/30, Original, factory-installed Matter roll cage structures permitted, weight 2340 lbs. May use fuel per the IT specs of GCR section 9.3 Fuel. Factory (OEM manufacturer) Lexan front windows allowed as delivered.

997 GT3 Cup

Shall run as delivered for the GT3 Cup Challenge except that tires are unrestricted and fuel per IT specs. Cars shall meet the safety requirements as specified in the GCR except that original, factory installed roll cage is permitted. Competitors shall have a copy of the Cup Challenge rules in their possession. Minimum weight 2710 lbs w/ driver. Alternatively, may run in conformance with the Grand-Am specification. Competitors shall have a copy of the Grand-Am rules in their possession. Minimum weight 2710 lbs with driver. Factory (OEM manufacturer) Lexan front windows allowed as delivered.

Panoz

Esperanté

106.0"

Note: Shall use a class legal Ford engine.

Qvale

Mangusta

104.0"

Note: Shall use a class legal Ford engine.

Shelby

Cobra

90.0"

SIN

R1 GT4 (16-17)

Weight: 3120 lbs.

Note: Must be compliant to 2017 World Challenge rules/specifications and must have appropriate rules in their possession.

NOTES:

Note: Cars must comply with 2012 STO rules as stated in Appendix K of the GCR. Engine Displacements in this table are nominal. Each competitor shall have available definitive documentation (e.g., factory manual) of the original displacement for the engine used. GT1/ST Tire make/size are free, DOT tires are not required.

GT1-ST	Maximum Displacement	Minimum Weight	Restrictor	Notes
Aston Martin Vantage GT3 (2012)	5956	3020	2 x 41.5mm	Competitor must provide World Challenge, Appendix A, upon request. Cars must pass SCCA World Challenge Tech and have World Challenge Dog Tag fixed to vehicle. Factory (OEM manufacturer) Lexan front windows allowed as delivered.
Audi R8 LMS Ultra GT3 (10-14)	5200	3050	2 x 49mm	Competitor must provide World Challenge, Appendix A, upon request. Cars must pass SCCA World Challenge Tech and have World Challenge Dog Tag fixed to vehicle. Factory (OEM manufacturer) Lexan front windows allowed as delivered.
BMW Z4 GT3 (10-13)	4017	3000	70mm	Competitor must provide World Challenge, Appendix A, upon request. Cars must pass SCCA World Challenge Tech and have World Challenge Dog Tag fixed to vehicle. Factory (OEM manufacturer) Lexan front windows allowed as delivered.
Corvette	5967	2900		GM LS2. May use the LSX cast iron block with OEM LS2 bore and stroke.
	6162	2950		GM LS3
	6162	3100		GM LT1
	6178	2900		GM LT1/LT4/L98 (only), with alternate 3.75" stroke crankshaft. Max stroke 3.75", max bore 4.04".
	7011	3200		GM LS7
Chassis-specific notes: The top 12 inches of the firewall must be covered with metal or reflective heat shielding material. The OE firewall may also be replaced with a metal panel running between the A-pillars. For Chevrolet Corvette Z06, carbon fiber lip, APR performance part number FA-208026 is permitted. World Challenge body work for C6 Corvette Advanced Composite Products: Deck lid (p/n:C6/A0028), door (RH) (p/n:C6/A0030), door (LH) (p/n:C6/A0031), front fascia (p/n:C6/A0001), rear fascia (p/n:C6/A0011), rear fender (LH)(p/n:C6/A0009), rear fender (RH) (p/n:C6/A0010), front fender (LH)(p/n:C6/A00-L), front fender (RH)(p/n:C6/A00-R), left front mounting rail (p/n:C5A0015-L), right front mounting rail (p/n:C5A0015-R), headlight mounting panel (LH)(p/n:C6/A0018-L), headlight mounting panel (RH)(p/n:C6/A0018-R), headlight cover (RH) (p/n:C6/A0040-WC), headlight cover (LH)(p/n:C6/A0041-WC), hood (p/n:C6/A0021), instrument panel (p/n:C6/A0032), roof (p/n:C6/A0027), rocker (LH)(p/n:C6/A0005), rocker (RH)(p/n:C6/A0006), rear spoiler (C6/A00013), front under tray (p/n:C6/A0022), rear wing (p/n:C6R-1272) may be used. Note: the max width of the front fascia and splitter is 1930mm (76") edge-to-edge as measured across the bottom of the splitter.				
Corvette Z06 (2015)	6200	3300		GM LT4 Supercharged. Must be run in as built, OEM configuration. Competitor must present factory service manual upon request.
Dodge Viper GT3R (2012-)	8414	3060	2 x 40mm	Competitor must provide World Challenge, Appendix A, upon request. Cars must pass SCCA World Challenge Tech and have World Challenge Dog Tag fixed to vehicle.

Note: Cars must comply with 2012 STO rules as stated in Appendix K of the GCR. Engine Displacements in this table are nominal. Each competitor shall have available definitive documentation (e.g., factory manual) of the original displacement for the engine used. GT1/ST Tire make/size are free, DOT tires are not required.				
GT1-ST	Maximum Displacement	Minimum Weight	Restrictor	Notes
Dodge Viper, incl Comp Coupe, ACR/ACR-X	7990	3100		
	8000	3100		
	8300	3100		
	8400	3200	68mm flat plate	380mm brakes, 12" front and 14" rear width wheels, full engine porting, 6 speed sequential trans, any OEM intake configuration allowed.
	8400	3400		
	Chassis-specific Notes: OEM fuel tank may be used.			
Ferrari 430	4310	3000		Kessel 430 GT3 front fenders, hood and bumper permitted; if installed, single radiator is permitted. Must conform to 9.1.4.F.7. Factory (OEM manufacturer) Lexan front windows allowed as delivered.
Ferrari 458 Challenge	4499	2800		Must have copy of the Ferrari 458 Challenge rules that matches the year of car being raced in their possession. Factory (OEM manufacturer) Lexan front windows allowed as delivered.
Ferrari 458 GT3 (2011-)	4497	3000	2 x 43mm	Competitor must provide World Challenge, Appendix A, upon request. Cars must pass SCCA World Challenge Tech and have World Challenge Dog Tag fixed to vehicle. Factory (OEM manufacturer) Lexan front windows allowed as delivered.
Ford GT FIA GT3-016	5000	2557		Must have copy of the FORD GT FIA GT3-016 homologation paperwork & rules that matches the year of the car being raced in their possession. Factory (OEM manufacturer) Lexan front windows allowed as delivered.
Lamborghini Gallardo GT3 (2013)	5212	2950	2 x 47mm	Competitor must provide World Challenge, Appendix A, upon request. Cars must pass SCCA World Challenge Tech and have World Challenge Dog Tag fixed to vehicle. Factory (OEM manufacturer) Lexan front windows allowed as delivered.
Lamborghini Gallardo	5204	3000		Must comply with Super Trofeo series rules. Competitor must have the series rules in their possession. Factory (OEM manufacturer) Lexan front windows allowed as delivered.
Lamborghini Huracan	5204	3000		Must comply with Super Trofeo series rules. Competitor must have the series rules in their possession. Factory (OEM manufacturer) Lexan front windows allowed as delivered.

Note: Cars must comply with 2012 STO rules as stated in Appendix K of the GCR. Engine Displacements in this table are nominal. Each competitor shall have available definitive documentation (e.g., factory manual) of the original displacement for the engine used. GT1/ST Tire make/size are free, DOT tires are not required.

GT1-ST	Maximum Displacement	Minimum Weight	Restrictor	Notes
McLaren GT Sprint	3799	2080		Competitor must have a copy of the factory build spec in their possession. Cars must pass SCCA World Challenge Tech and have World Challenge Dog Tag fixed to vehicle. Factory (OEM manufacturer) Lexan front windows allowed as delivered.
McLaren MP12C GT3 (2013-)	3799	2950	2 x 36mm 1.50 bar	Competitor must provide World Challenge, Appendix A, upon request. Cars must pass SCCA World Challenge Tech and have World Challenge Dog Tag fixed to vehicle. Factory (OEM manufacturer) Lexan front windows allowed as delivered.
Mercedes Benz AMG GT3 (16-19)	6208	3050	2 x 40 mm	Car must be prepared <i>per</i> its FIA GT3 homologation except as specified differently within the GT1 class rules.
Mercedes AMG GT4 (2018)	3982			Must conform to the IMSA GT4 rule set. Must have IMSA Continental Sports Car Challenge or Pirelli World Challenge rule book in possession while at track.
Mercedes Benz SLS GT3 (2011-)	6208	3100	2 x 36 mm	Competitor must provide World Challenge, Appendix A, upon request. Cars must pass SCCA World Challenge Tech and have World Challenge Dog Tag fixed to vehicle. Factory (OEM manufacturer) Lexan front windows allowed as delivered.
Noble M12/M400	3000	2650		Must be run in as built OEM configuration. Competitor must present specifications on demand. Factory (OEM manufacturer) Lexan front windows allowed as delivered.
Noble/Origin HVRx	7011	2650		Must be run in as built OEM configuration, non-turbo V8 only. Factory (OEM manufacturer) Lexan front windows allowed as delivered.
Porsche 991.1 GT3 Cup	3800	2900		Cars must be prepared in accordance with the appropriate model/year Porsche factory 991 GT3 Cup parts catalog/service manual. Factory (OEM manufacturer) Lexan front windows allowed as delivered.
Porsche 991.2 GT3 Cup	3997	2950		Cars must be prepared in accordance with the appropriate model/year Porsche factory 991 GT3 Cup parts catalog/service manual. Factory (OEM manufacturer) Lexan front windows allowed as delivered.
<i>Porsche 992 GT3 Cup</i>	<i>3997</i>	<i>2950</i>		<i>Car must be prepared in accordance with the appropriate model/year Porsche 992 factory service manual. Factory (OEM manufacturer) Lexan front windows allowed as delivered. ABS permitted</i>

GCR - 313

9.1.2. GT1/ST Spec Lines

Note: Cars must comply with 2012 STO rules as stated in Appendix K of the GCR. Engine Displacements in this table are nominal. Each competitor shall have available definitive documentation (e.g., factory manual) of the original displacement for the engine used. GT1/ST Tire make/size are free, DOT tires are not required.

GT1-ST	Maximum Displacement	Minimum Weight	Restrictor	Notes
Porsche 991 GT3-R (2016)	3997	2899	(2) 35 mm	Competitor must provide World Challenge, Appendix A, upon request. Cars must pass SCCA World Challenge Tech and have World Challenge Dog Tag fixed to vehicle. Factory (OEM manufacturer) Lexan front windows allowed as delivered. ABS and traction systems must be disabled. It is the responsibility of the competitor to provide proof of system disabling.
Porsche 996 Turbo AWD		3050		Intercooler: ERP Intercooler kit complete with all ducting and components #ERP.DP996TT.1055.S. Body: L.F. fender #ERP.996.031; R.F. fender #ERP.996.032; Front bumper #ERP.996.311; Front splitter 2" #ERP.996.345; Rear bumper #ERP.996.211. Engine: Intake manifold R&L #997.110.619.90; Intake manifold center #997.110.120.53; Throttle body - single #997.110.039.93; Cylinder heads (non Vanos) #996.104.012.94; Intake cams #996.105.235.92 (0.484 lift); Exhaust cams #996.105.245.90 (0.440 lift); Cam housing R. (non Vanos) #996.105.040.91; Cam housing L. (non Vanos) #996.105.039.91; Garrett GT28 turbo chargers; 2 - 50 mm TIRs. Factory (OEM manufacturer) Lexan front windows allowed as delivered.
Porsche 997 GT3 R (2013-)	3998	2925	65mm	Competitor must provide World Challenge, Appendix A, upon request. Cars must pass SCCA World Challenge Tech and have World Challenge Dog Tag fixed to vehicle. Factory (OEM manufacturer) Lexan front windows allowed as delivered.
Rossion Q1	3000	2650		Must be run in as built OEM configuration. Competitor must present specifications on demand. Factory (OEM manufacturer) Lexan front windows allowed as delivered.

GCR - 314

9.1.2. GT1/ST Spec Lines

9.1.2.F. GT-2, 3, LITE CATEGORY SPECIFICATIONS

These specifications are part of the SCCA GCR, and all automobiles shall conform with GCR Section 9.

F.1. PURPOSE

The GT Category is intended to provide the membership and interested manufacturers with the opportunity to compete in purpose built, highly modified replicas of series produced automobiles. To that end, cars shall be classified in GT Classes based on their competitive potential. The Club may alter or adjust specifications and require, permit, or restrict certain specific components to equate competitive potential. The SCCA does not guarantee the competitiveness of any car.

F.2. INTENT

It is the intent of these rules to allow modifications useful and necessary in the construction and preparation of an extremely high performance road racing vehicle. It is understood that such a vehicle can be updated and/or changed from marque-to-marque, based on member interest and manufacturer incentive. With this in mind, the Club will use the following guidelines in the determination of the suitability for classification in the GT Category:

1. Basic vehicle size, shape, engine displacement, and cylinder head design of the standard and/or alternate engine(s).
2. Member interest.
3. Manufacturer interest and potential support to competitors.
4. Vehicle production quantities of no less than 3000 units of the specified make/model within a twelve (12) month period, all such units being approved by the EPA and DOT for sale in the United States (Production Cars that have been reclassified into the GT Category need not meet minimum production quantities).

F.3. SPECIFICATIONS

The SCCA shall publish the GT Category Specifications (GTCS) containing recognized specifications for each car eligible to compete in the GT Category during the calendar year. Cars shall be listed according to the manufacturer's make and model designation. In the case of doubt involving specifications not adequately described in the GTCS, Scrutineers/Stewards may refer to maintenance manuals, spare parts books, general catalogs and performance catalogs published by the vehicle manufacturer, MVMA specifications, and FIA Homologation Certificates for the make and model, or may inspect other cars of the same make and model.

1. GT Category automobiles shall be divided into Classes based on relative performance as follows: GT2, GT3, and GTLite.
2. Cars may be updated or backdated within the specifications of the recognized make and model as listed on the Approved Automobile List of the GTCS, or as listed on a single GT Specification Form line of the GTCS. Any classified engine may be used in a classified chassis within the same manufacturer as shown on the specification line.
3. Cars shall meet or exceed their minimum specified weight, as listed in the GTCS, as qualified or raced, with driver.
4. No permitted component/modification shall additionally perform a prohibited function.
5. Turbocharging/supercharging is not permitted unless listed on the spec line.
6. Construction of tube frame cars is permitted. Standard maximum track dimensions for all cars, unless otherwise noted, are as follows:
GT-2 64.0" F & R
GT-3 / GT-Lite 60.0" F & R
7. Automatic Transmissions (10 forward speeds max.) are allowed in GT2 with a 100# weight penalty.
8. Current FP spec line cars may compete in GT3 as long as they maintain their full FP rule set.

F.4. GT Cars registered as GT cars prior to January 1, 1990.

All GT cars registered as GT cars prior to January 1, 1990 shall use the manufacturer's original engine location, i.e., front, mid, rear; drive location, i.e., front or rear, and type of front and rear suspension, i.e., MacPherson strut, double A-arm, live axle, semi trailing arm, etc., unless authorized by the GTCS for a specific make and model.

Front-engined GT cars registered as GT cars prior to January 1, 1990 may be converted to Section F.2., specifications, but shall meet ALL specifications of Section F.2.

F.5. GT cars registered as GT cars after January 1, 1990.

All front engined GT cars registered as GT cars after January 1, 1990 shall utilize McPherson strut or double A-arm front suspension. A-arm front suspensions shall have the shocks attached to the outboard end of an upper or lower control arm. Rocker arms, push-pull rods, etc., are prohibited. Front wheel drive cars may convert to rear wheel drive. Cars classified in GT2-Lite that retain the original front wheel drive (FWD) configuration may retain the original type of rear suspension with no weight penalty or use a beam axle.

Cars classified in GT2-Lite running front engine, rear wheel drive (RWD) may use independent rear suspension (IRS), by choice at a weight increase equal to 2.5% of the car's specified weight.

All GT cars registered as GT cars after January 1, 1990 or updated to Section F.2. specifications shall utilize left side driver placement.

Disenfranchised small bore GT2 cars will be allowed classification in GT3 "In GT2 spec" on a case by case basis but will be classified with the appropriate SIR and GT3 weight + 150 lbs. to offset any advantage in the wider wheel/tire, track and wing width. Max wheel/tire 16.0". Cars must have a GT2 logbook issued prior to 1-01-2013

F.6. Safety Equipment required on all cars.

a. Bulkheads

1. A metal bulkhead shall separate the driver/front passenger compartment from the compartment containing the fuel cell. The fuel cell, cap, filler neck, and all fittings shall be isolated so that in case of spillage, leakage, or failure, fuel will not reach the driver. The bulkhead separating the driver/passenger compartment from the fuel cell shall not be above the bottom of the rear window and the bottom of the side/quarter windows. An additional vertical, transverse bulkhead is permitted behind the driver. It shall be located above the mandatory vertical bulkhead and shall allow the driver adequate vision to the rear. It is recommended that this additional bulkhead be made of a clear, transparent polycarbonate material.

b. Fuel Cells

A safety fuel cell complying with GCR Section 9.3 Fuel Cell Specifications, shall be installed. All fuel cell vents shall incorporate check valves to prevent fuel spillage. Dry-break refueling couplings and discriminator valves may be installed, provided they do not extend beyond the bodywork. The use of a fuel cell is required unless the stock fuel tank is located between the axle centerlines and within the main chassis structure (e.g. frame rails). Spec line allowances will be added on a case by case basis.

c. Windows

1. Windshield safety clips and rear window safety straps shall be installed on all closed cars. Three (3) clips (3 inch x 1 inch x 1/8 inch) shall be bolted or riveted to the body at the top of the windshield. Two (2) clips (3 inch x 1 inch x 1/8 inch) shall be bolted or riveted to the cowl and extend over the bottom edge of the windshield. Clips shall be spaced a minimum of twelve (12) inches apart. The rear window shall be secured with two (2) metal straps (1 inch wide x 1/8 inch thick) bolted or riveted to the body at the top and bottom of the rear window. Polycarbonate windshields such as Lexan are allowed. Alternate windshields must be of 6mm minimum thickness. Alternate material windshields must be identical in size and curvature to the original glass component. Alternate material windshields must have in addition, three (3) inner supports to prevent the windshield from collapsing inward. These supports must be 0.75" by .125" minimum straps of aluminum. Spacing between these inner supports must be six (6) inches minimum. In place of clips, polycarbonate windscreens may be mounted using a fastener spaced a minimum of every 12 inches across the top and sides, with a minimum of four across the bottom. Alternatively, the bottom may be captured in a channel. No clips or straps are required if bonded-glass factory windshields and/or rear windows are attached to chassis per original specifications (i.e., glass-bonding adhesive).
3. Open cars must remove the windshield glass, door window glass, quarter window glass, rear glass, vent glass, frames/channels and all mounting brackets. Window winding mechanisms can be removed. A replacement windshield must be installed. The replacement windshield must be fitted within the vertical planes of the front most and rear most elements of the stock windshield and frame. The replacement windshield must not exceed the height or width of the stock windshield and frame. Any portion of the windshield that is in the driver's line of sight, must be constructed of a clear material. No part of the replacement windshield can be constructed of glass.
4. Ducts may be installed in the side windows or window openings for the purpose of supplying cooling air to the driver and/or differential/transmission coolers and/or the rear brakes. Air passing through the differential/transmission coolers may be exhausted through an opening identical in size and location to the rear license plate frame.

F.7. Authorized Modifications

The following modifications are authorized on all GT-2, 3, and Lite cars. Modifications shall not be made unless specifically authorized herein. No permitted component/modification shall additionally perform a prohibited function.

a. General

1. It is not permitted to make any changes, alterations, or modifications to any component produced

9.1.2. Grand Touring Category Specifications

by the manufacturer, unless specifically authorized by these rules, or required by the GCR.

2. Any springs (including torsion bars) may be replaced by others of unrestricted origin, unless specifically prohibited by these rules.
3. Where alternate suspension and/or *drivetrain* equipment is authorized, modifications to the car/chassis are permitted to install authorized equipment, provided the modifications serve no other purpose.
4. All component parts of the bodywork, such as hood, doors, fenders, deck lid, rocker panels, windshield surround, roof, etc., may be lightened or replaced by ones of alternate materials, provided the shape, size, and relative position is identical to the original or approved alternate. The original size, angle, and relative position of the windshield shall be maintained. Convertible tops, sunroofs, and removable panels shall meet GCR Section 9.3 Detachable Panels/Sunroofs.

Vents may be added to the roof panel or rear window for the express purpose of venting the driver's compartment. There may be no more than 12 openings with a total area of not more than 24 square inches.

5. Spare wheel and tire shall be removed.
6. Glass and/or plastic headlights, front parking lights, front signal lights, lenses, and bulbs shall be removed. Headlight openings shall be covered with a wire mesh screen or panel having the same contour as the original lens, mounted so that the headlight bezel/rim remains in place, maintaining the standard appearance of the Production automobile. Side marker light assemblies shall be removed and the resulting openings covered with a plate whose dimensions do not exceed those of the original parts; side marker lights that are an integral part of the taillight assembly cannot be removed. Other lighting parts and operating mechanisms may be removed. In the case of pop-up headlights, the entire assembly may be removed and the opening covered with a screen or plate (as above, without the headlight bezel/rim requirement) which provides a stock appearance. It is not permitted to relocate the standard headlight, parking light, signal light, etc., openings. Traditional GT cars only. Not allowed with any "Spec Car, GT2-ST, or any other added non Traditional GT car. Taillights shall be in the original location and may be the original style/type of taillight for the make, model, and year of car. A rear body panel having the same contour as the original lens area and in the original location, may be fitted with a tail-light graphic of the original style/type frame/lens adhered to it. If side marker lights are an integral part of the tail-light assembly they must be represented by the panel graphic. These panel/graphics shall have a functioning red LED lamp assembly fitted through them on both sides of the car to serve as brake lights. A 15-watt or equivalent rain light may be included with-in this LED assembly or may be a separately mounted single or dual LED assembly.

Ducts from headlights, front parking lights, and front signal lights in the front of the car may be used for ducting air to the engine, front brakes, and/or oil cooler(s). These ducts may pass through interior panels for this purpose. The cross section area of a single duct shall not exceed the cross sectional area of the original (single) headlight.

b. Chassis and Bodywork

The purpose of the following rules is to maintain recognizable external features of the manufacturer's make and model, while providing necessary safety and performance modifications.

Restrictions regarding external body shape and use of belly pans are aimed at preventing attempts to obtain ground effect or streamlining. Provisions in the rules permit one-off chassis and frames, to reduce the cost of building and repairing GT cars, not to permit high technology (streamlining and/or ground effects). Semi-monocoque or monocoque construction is prohibited.

1. The external shape of the body cannot be changed, except when specifically authorized. Standard grills, window openings, or approved facsimiles shall be retained. All external trim and model identification may be removed. Misalignment or modifications to create ventilation where none previously existed are prohibited. One piece front and one piece rear bodywork is allowed. Rocker panels and doors may be parted and/or integrated with associated body panels. Rocker panels of an alternate material may be a flat vertical panel having the same dimensions as the original component when viewed from the side. Overall width of the vehicle/rocker panel measured at the door sill must remain stock. Roof/A-pillars shall be separate pieces. The cowl trim panel may be modified or removed. GT2 only: Four (4) hood/fender louvered panels are allowed. Total maximum area of panels shall not exceed 600 sq. inches with a minimum of five (5) slots for each panel. All louvers must be mounted in front of the windshield.
2. Chassis, frame, or subframe may be lightened, reinforced, or replaced, provided components and attachments are not relocated, except where specifically permitted. Reinforcing does not authorize the use of belly pans forward of the firewall, or aft of the front edge of the rear wheel opening. There shall be no pans, whether factory supplied or otherwise, between the spoiler pan and the floor pan nor between the floor pan and the floor behind the rear wheel opening. The floor behind the rear wheel opening shall be flat and follow, but not exceed, the line of the rear fender bottom.

Only the fuel cell container may protrude or extend below this plane. There shall be no pans, whether factory supplied or otherwise, between the spoiler pan and the floor pan nor between the floor pan and the floor behind the rear wheel opening.

3. The firewall and floor may be replaced with aluminum alloy or steel. Firewalls may be modified or notched.
4. Bumpers may be removed providing all projecting hardware is removed except when it (they) are an integral part of the bodywork, in which case it (they) may be replaced with replica(s) of different material. Non-integral bumpers may be replaced with a replica of alternate material or removed. Bumper bracket holes in the bodywork may be covered provided such covering serves no other purpose.
5. All standard production seats and seat backs shall be removed. The driver's seat shall be replaced with a one-piece bucket-type race seat. Such seat shall be installed so that a second seat of the same dimensions could be simultaneously fitted to the passenger's side of the car (no center seating).
6. Doors shall be pinned or otherwise positively fastened to prevent their opening in case of an accident. Standard door hinges and latch mechanisms may be removed, but the doors shall be capable of being opened or removed unless integrated into the bodywork. Interior door panels may be removed and the door window slots may be covered. Pins or straps may be added to hood and deck lid to supplement or replace the latches. Hood and deck lid hinges may be removed.
7. All driver and front passenger door window glass shall be removed. Window cranks and mechanisms may be removed. Rear quarter, rear side, and rear windows may be of transparent (clear) polycarbonate material, minimum thickness 3mm, but shall remain in the same position in the frame or opening as the original glass it replaces; rubber molding optional. Rear windows/hatchbacks and deck lids shall be completely closed. No bumper blocks or other means of poor alignment of bodywork will be permitted. Rear quarter (side) windows may be run in their original open or closed position.
8. Fenders may be flared for tire clearance, provided their shape and opening contour, in the horizontal projection, is similar and proportional to the original opening. Rear doors on 4-door automobiles may be considered part of the fender for purposes of fender flaring. The tire shall not extend beyond the fender openings at the highest point of the tire. The rear fender flares on GT-2 cars may extend forward into the door, no more than 26 inches from the rear axle centerline (GT-2 only). Wheel opening location may be altered in accordance with the allowable wheelbase tolerance in order to maintain vehicle's stock appearance. Ventilation openings, other than those which are standard production on the recognized model, are prohibited.
9. Front and rear inner fender panels may be altered, replaced, or removed provided there are panels providing total separation between driver compartment and wheel wells.
10. Replacement, addition, or removal of accessories (gauges, switches, indicators, etc.), or other interior modifications for driver convenience, or to permit installation of required safety equipment, is authorized provided such modifications have no influence whatever on the mechanical performance of the car. Such modifications do not include the substitution or replacement of any bodywork or chassis component except those specifically authorized by these rules. Floor mats and all interior trim shall be removed.
11. A spoiler may be fitted to the front of the car. It shall not protrude beyond the overall outline of the car as viewed from above except as follows:
 - GT3: a front splitter may extend up to 2 inches.
 - GTLite: a front splitter may extend up to 2 inches.

In all classes, the spoiler shall not extend aft of the forward most part of the front fender opening (cutout), and shall not be mounted more than four (4) inches above the horizontal centerline of the front wheel hubs. The spoiler shall not cover the normal grill opening at the front of the car. An intermediate mounting device may be used on cars whose front bodywork is above the four (4) inch minimum. Openings are permitted for the purpose of ducting air to the brakes, radiator, airbox and/or oil cooler(s); equal openings may be placed in the standard lower front panel directly behind openings placed in the spoiler. When bumpers are retained, the spoiler and bumper shall appear to be two separate parts. Spoiler "pans" are only permitted forward of the leading edge of the front wheel openings and shall be flat and follow, but not exceed, the line of the front fender/spoiler bottom.

12. A spoiler or a Club Racing Board specified rear wing for GT3 may be fitted to the rear of the car. Note: OEM rear spoilers and wings are not permitted unless specifically listed on the vehicle's specification line. If a spoiler is used, it shall be contiguous with the bodywork and shall comply with the following:

9.1.2. Grand Touring Category Specifications

- A. Height (max): six (6.0) inches (GT3) or five (5.0) inches (GT-Lite) measured from the bodywork along the face of the spoiler from the point of attachment to the top of the spoiler. In the case of a spoiler with a curved top edge conforming to the shape of the bodywork (rear-view), the measurement is to be made perpendicular to the tangent of the body at the point of attachment. In the case of a spoiler mounted with a vertical mounting flange on the bodywork, the measurement shall be made ignoring any slight amount of mounting flanges (see below) exposed due to the curvature of the rear bodywork at the point of attachment.
- B. Width and Overhang: If roof mounted, no wider than the roof at its mounting point when viewed from above the car. Mounting to be no further rearward than the forward most part of the rear window. If rear mounted, no wider than the body, excluding fender flares, from the forward most part of the spoiler (or mounting flange) rearward. Shall not extend rearwards of the rearmost extremity of the bodywork for the entire width of the car (when viewed vertically from above the car at any point, the spoiler shall not protrude beyond the bodywork).
- C. Mounting: Spoilers shall be strong enough to be self-supporting. A mounting flange no greater than one and one-half (1-1/2) inches wide, contiguous with the bodywork, (either forward facing on the top surface of the bodywork or downward facing on the rear surface of the bodywork) shall be employed. Supplemental forward bracing may be added in the form of two (2) rods, mounted at least ten (10) inches inboard from the ends of the spoiler. Rear supports may be added.
- D. Configuration: The spoiler shall be a single plane spoiler (a straight line in any vertical cross section) uniform in height from the bodywork with no more than 1/8" gaps/openings below the spoiler to facilitate imperfect mounting. The gaps/ openings are to be included in the overall height of the spoiler. Only enough curvature (in a fore and aft direction as viewed from above) shall be permitted to facilitate mounting. The use of fences, end rails, Gurney flaps, or other forward facing lips or aerodynamic devices is prohibited.

NOTE: O.E.M. rear spoilers are not permitted unless specifically listed on the vehicle's specification form.

If a Club Racing Board specified wing is used (GT3 only), it shall comply with the following:

- E. A single element, single plane airfoil up to a maximum chord length of 10.75 inches.
A maximum 0.50 inch Gurney flap is allowed at the trailing edge of the wing element. The flap must be mounted 90 degrees to the upper wing surface. No air may pass between the flap and the wing.
The wing end plates may be no more than 64 square inches. No portion of the wing element or tab may extend beyond the perimeter of the endplate. The endplates must be mounted parallel to the vehicle centerline, and must be perpendicular to the ground. Endplates must be flat, with no curvature or Gurney flap.
GT3: The maximum width of the entire wing assembly (wing element, endplates, Gurney flap, and mounting hardware) is 64.00 inches, but no wider than the rear body width including fender flares.
- F. Wing mounting
GT3: The entire wing assembly must be mounted below the highest point of the roof or roll cage main hoop whichever is higher measured at the highest point.
GT3: The trailing edge of the wing assembly must be located within an area not forward of 6" forward of the rear most bodywork and not rearward of the rearmost bodywork. The rearmost bodywork is to be measured at the vehicle centerline.
Two wing mounting posts must be used, with each one located between 2"-20" inboard from the end of the wing. The exposed portion of the wing mounting posts shall not exceed 85 square inches each. Curved brackets will be measured as if they're in a flat plane as viewed from the side. Mounting brackets are to be included in measurement.
The maximum wing angle from horizontal is 30-degrees.

13. GTL Wing Rules

- A. The maximum width of the entire single element, flat plane wing assembly (wing element, endplates, and mounting hardware) is 56.0 inches, but it may be no wider than the bodywork including fender flairs. The maximum chord is 8.0 inches. Wing endplates may be a maximum of 64 Sq. inches. Endplates must be flat, with no curvature or Gurney flap. A maximum 0.5-inch Gurney flap may be employed.
- B. The wing shall be mounted with two brackets. Each mounting bracket shall attach to the wing at least 2.0 inches inboard of the endplates. The brackets may protrude through the trunk/deck lid to allow the brackets to be fastened together and/or to the chassis of the car beneath the lid.

- C. The entire wing assembly must be mounted below the highest point of the roof or roll cage main hoop whichever is higher measured at the highest point.
 - D. The trailing edge of the wing assembly must be located between 6.0 inches forward of the rearmost bodywork and the rearmost bodywork as measured along the vehicle longitudinal centerline.
 - E. Cars with a wagonback/notchback/hatchback style body must have the entire wing positioned between 6.0 and 28.0 inches of the rearmost bodywork as measured along the vehicle longitudinal centerline, and a maximum of 4.0 inches above the highest point of the roof. For this subsection, a wagonback/notchback/hatchback style body (or variations of these) is a car in which the rear edge of the roofline is no more than 28.0 inches forward of the rearmost bodywork as measured along the vehicle longitudinal centerline.
 - F. Two wing mounting posts must be used, with each one located within 2"-20" inboard from the end of the wing. The exposed portion of the wing mounting posts must not exceed 85 square inches each. Curved brackets will be measured as if they're in a flat plane as viewed from the side. Mounting brackets are to be included in the measurement. Openings in the side view of the wing mounts are not included in the sq. inch limit.
14. GTLite front splitter: A front splitter may be added that is a flat single-plane. The splitter shall be mounted flat. The splitter must not extend laterally any further than the widest point of the front fenders. The splitter must have no vertical deviations. Additionally, a maximum of four (4) rods or cables may be used to support the front, and/or the sides of the splitter. A single-plane vertical close-out panel may be used to bridge any gaps between the front fascia and splitter.
15. GT2 Aerodynamics
- A. Front Air Dam
 - 1. A front spoiler/air dam may be added. It shall not protrude beyond the overall outline of the body when viewed from above perpendicular to the ground, or aft of the forward most part of the front fender opening.
 - 2. The spoiler/air dam shall be mounted to the body and may extend no higher than four (4) inches above the horizontal centerline of the front wheel hubs. The air dam shall have no support or reinforcement extending aft of the forward most part of the front fender wheel opening.
 - 3. The minimum ride height of the air dam is 2.0 inches.
 - 4. Openings are permitted for the purposes of ducting air to the brakes, cooler(s), and radiator(s).
 - B. Under tray
 - 1. An under tray may be added. The under tray may close out the underbody from the leading edge of the approved bodywork (including air dam) back to the centerline of the front axle.
 - 2. The minimum ride height of the under tray is 2.0 inches.
 - 3. Regardless of front or rear engine placement, an additional front under tray (close out panel) is allowed from the floor pan forward to the rear of the rear of the front wheel opening.
 - C. Splitter
 - 1. Definition: A horizontal, single-plane aerodynamic device attached to the lower front of the vehicle, protruding forward. It is intended to divert air and produce down force through vertical pressure differential. A splitter shall have no vertical deviations.
 - 2. A front splitter may be added. A maximum of 4 rods or cables may be used to support the front and/or sides of the splitter. No other material(s) may be used external to the body to support the splitter.
 - 3. The front splitter must not extend more than 5.0 inches past the forward most surface of the original or approved bodywork as viewed from above for the entire profile of the splitter.
 - 4. No part of the splitter shall extend laterally any further than the widest point of the outside sidewall of the front tires with the wheels pointed straight ahead.
 - 5. The splitter may have vertical deviations, fences, etc., only if they are part of the production bodywork for street use.
 - 6. The minimum ride height of the front splitter is 2.0 inches.
 - D. Rear Wing

9.1.2. Grand Touring Category Specifications

1. The wing shall be mounted to the trunk/deck lid with 2 mounting brackets. Each mounting bracket shall attach to the wing at a point that is at least 2.0 inches inboard of endplates. The wing, and the portion of the mounting brackets located externally to the trunk/deck lid, may only be reinforced by a diagonal strut having no aerodynamic effect, and/or by affixing the external parts of the brackets to internal parts of the brackets within the trunk/cargo area. The internal parts of the brackets may protrude through the trunk/deck lid to allow the two parts of each bracket to be fastened together.
2. Rear Wing: Wings shall be a single element with a maximum chord length of 12.00 inches, including any Gurney flap.
3. No wing may exceed 72" in length. The entire wing assembly may be no wider than the widest part of the car.
4. The entire rear wing assembly, including the end plates and any Gurney flap, shall be mounted level with, or below, the peak of the roof.
5. The trailing edge of the rear wing may be mounted no further rearward than the center of the rearmost part of the approved bodywork.
6. Wing end plates must not exceed 144.0 square inches each.

E. Additional Aerodynamics

1. Canards or dive planes are permitted up to 50 square inches (per canard) and two per side (max 4). Vertical side fences permitted at a maximum of 0.75" from the canard surface. Canard surface must be mounted to the front bodywork/spoiler with a maximum 1/16" gap allowance between canard and bodywork.
 2. Regardless of front, rear or mid-engine placement, flat underbody panels are permitted. Underbody panels may start behind the front wheel openings.
 3. An underbody close-out panel(s) may be used in the area behind the rear axle centerline. These panels shall not alter the external appearance of the car when looking from the rear and sides of the car (i.e. we want to have to have to lay on the ground to see them). If the production car uses underbody trim pieces, the OEM trim pieces may be removed or replaced, but any close-out panel(s) used may not visually hide any more of the mechanical components, when looking from the rear and sides of the car, than the OEM trim pieces do. On rear engine cars, any close-out panels shall not extend any further forward than the rear axle centerline. Cars with a fuel cell, engine, etc. that extend down into external visual range shall fit the close-out panel(s) around the component in such a way that it does not alter the external appearance of the car. Regardless of front or rear engine placement, an additional rear under tray (close out panel) is allowed from the floor pan rearward to the centerline of the rear axle.
- F. Up to four hood/fender louvered panels are allowed. Total measurement area of panels shall not exceed 600 sq inches with a minimum of five slots (louvers) for each panel. All louvered panels must be mounted in front of the windshield.

c. Suspension and Wheels

1. Wheelbase will be homologated on a case by case basis as requested by the manufacturer. Wheelbase may be changed from -3" to +1" from printed stock dimensions in a fore/aft direction.
2. Suspension components may be reinforced, modified, or replaced as long as the type of suspension is not changed from that authorized in this GTCS.
3. Suspension mounting points, including suspension springs, may be relocated.
4. Suspension springs may be replaced with others of unrestricted origin.
5. Modifications or substitution of hubs, bearing, spindles, axle shafts, universal B joints, flex joints, and CV joints is permitted.
6. Addition or substitution of antiroll bars, camber compensating devices, and/or suspension stabilizers is permitted. If these devices extend into the driver/passenger compartment, they shall be completely sealed off by metal panels.
7. Suspension bushings and joints may be replaced by others of different material and/or design. Offset bushings and spherical bearings are permitted, including adjustable type.
8. Steering arms, pitman arms, and steering linkage component parts may be modified, reinforced, or substituted. The steering system may be changed and/or relocated.
9. The steering wheel may be replaced and rake of the steering column may be altered. A collapsible type of steering column equivalent to Federal Motor Vehicle Safety Standard No. 204 is required in all cars registered after January 1, 1983 and highly recommended for prior registered cars. GT cars registered after January 1, 1990 or GT cars converted to Section F.2., specifications shall

have left side driver placement.

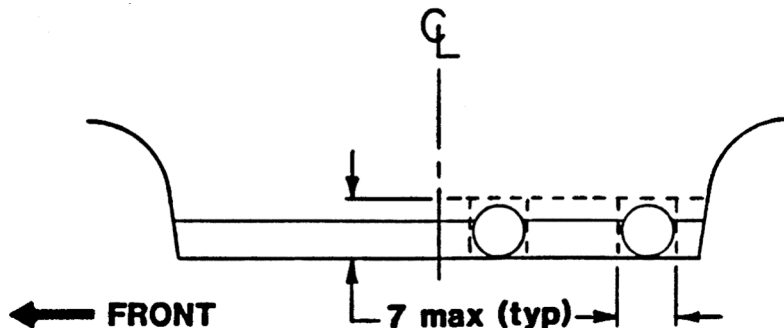
10. Substitute wheels of any type may be used. All four (4) wheels shall be of the same diameter except in GT2.
 - a. GT2 cars may run any tire/wheel combination provided that the tire does not exceed a maximum cross section width of 12.0" in the front and 13.75" in the rear. GT2 cars using 15 x 7" wheels exclusively may reduce the listed weight by 50 lbs. GT2 cars may run Hoosier DOT tires #46846 front, P315/30ZR18 A7 and #46850 rear, P335/30ZR18 A7.
 - b. The maximum wheel size for GT3 cars is 15 x 7". Alternatively: GT3 cars may run up to a maximum 17" x 9" wheel with a weight penalty equal to three (3) percent of the car's weight as listed on the specification line. The maximum vehicle weight shall be rounded to the nearest pound. Additionally: Any wheel up to 18" with a maximum tire cross section of 12.0" and a maximum tire diameter of 26.0" may be used with a weight penalty equal to five (5) percent of the car's weight as listed on the specification line. The minimum vehicle weight shall be rounded to the nearest pound. A maximum brake rotor diameter of 13.0" may be used with alternate wheels. Cars using 15" American Racer 23.5-10.0-15, bias ply, non-belted tire may do so without the weight penalty.
 - c. The maximum wheel size for GTL is 13" X 7" unless otherwise noted on the vehicle specification line. Alternatively, any wheel up to 15" x 7" may be used in GTL with a weight penalty equal to four percent of the car's weight as listed on the specification line. The minimum vehicle weight shall be rounded to the nearest pound. Cars using 13" wheels may run 13" x 8" wheels, but only with American Racer 20.0-8.0-13, bias ply, non-belted tires, without weight penalty. GTL cars using 15" wheels may run 15" x 10" wheels, but only with American Racer 23.5-10.0-15, bias ply, non-belted, tire without weight penalty.
11. Shock absorbers: It is not permitted to alter the number of shock absorbers. The make of shock absorber is free and its points of attachment may be moved. Shock absorbers may have load bearing capacity; e.g., gas filled or coil over. When using load bearing shocks, the original springs may be removed. GT cars registered after January 1, 1990 or GT cars converted to Section F.2., specifications shall have the shock absorber attached to the outboard end of an upper or lower control arm. Rocker arms, push-pull rods, etc., are prohibited.

d. Electrical Systems

1. The electrical/electronic system may be modified or replaced provided an operating starter motor and two (2) brake lights are retained.
2. Any distributor or transistorized ignition system (including crank triggered), firing the same number of spark plugs as the original distributor, may be used.
3. Magneto ignition is prohibited unless listed in the GTCS. Ignition wiring and spark plugs are unrestricted.

e. Engine and *Drivetrain*/General

1. Exhaust manifold(s), header(s), tailpipe(s), and muffler(s) may be of unrestricted origin. The exhaust pipe(s) and/or muffler(s) may be recessed into the floor panel and rocker panel. The exhaust may be recessed into the bottom of the door or rear fender below a line seven (7) inches above the bottom of the rocker. There may be a maximum of two (2) such areas in the door or fender, with the maximum length for each no more than seven (7) inches. Note that the exhaust outlet shall still be mounted as low as possible. Exhaust opening(s) shall exit to the rear of the wheelbase centerline and away from the body.



180 degree headers: The passenger's side floor pan may be raised not more than ten (10) inches

9.1.2. Grand Touring Category Specifications

or a secondary floor may be installed at that level to accommodate the installation of the exhaust system and muffler(s) provided such raising of the floor serves no other purpose. Exhaust may pass through the rear bodywork no higher than the rear axle centerline.

2. Exhaust emission control air pumps, associated lines and nozzles, and EGR devices cannot be modified in any way except that they may be completely removed. When air nozzles are removed from the cylinder head, the holes shall be completely plugged.
3. Substitution or modification of the clutch and/or flywheel is permitted.
4. It is permitted to lighten, balance, or modify in shape, by tooling, the standard or optional components of the engine and *drivetrain*, provided it is always possible to identify them as such. Material shall not be added to these components unless specifically authorized by these rules.
5. Alternate engine and *drivetrain* components considered replacement parts, such as seals, bearings, valve guides, pushrods, water pump (including electric), timing chains/belts and sprockets, nuts, bolts, studs, washers, and gaskets are permitted. Bushings or offset keys of unrestricted origin may be installed.
6. The substitution of valve spring retainers and keepers is permitted. Valve springs are unrestricted (including number) provided the type and location remain unchanged.
7. Generator (alternator), crankshaft, and water pump pulleys may be altered or replaced with others of unrestricted origin. Any crankshaft vibration dampener is allowed.
8. Any oil pan (sump), oil pump(s), and/or pickups are allowed. Oil pump(s) shall be driven mechanically by the engine. Dry sump systems are permitted. The oil tank shall be located within the bodywork. The oil tank, cap, and all fittings shall be isolated so that in case of spillage, leakage, or failure, oil will not reach the driver. Any oil filter(s) may be used.
9. Installation of any vent or breather on the engine, transmission, or differential is permitted (See "Oil Catch Tanks"). Crankcase vacuum devices are prohibited, but a conventional dry sump system is permitted.
10. Any readily available manual transmission having no more than six (6) forward speeds in GT2 and five (5) forward speeds in GT3 and Lite and a functional reverse speed may be used, provided that it is fitted in the same basic location used in the standard production automobile. Any shift linkage may be used. If a sequential shift gearbox is used, the car must carry a weight penalty equal to 1.25 percent of the weight as listed on the spec line. If a synchromesh engagement transmission is used, the weight may be reduced by 1.25 percent of the weight listed on the spec line. A synchromesh gearbox is one having a friction mechanism to allow engagement. Note: The minimum vehicle weight is to be rounded to the nearest pound. Air, hydraulic or electric actuation of the gearshift mechanism is not allowed. For front engine, rear drive cars requiring the transmission to be attached to the engine, the transmission front seal shall be within twelve (12) inches of the back of the engine block. On front engine/rear drive cars, the transmission front seal is that seal which is within 5" of the gear on the input shaft which meshes with the foremost gear on the counter/layshaft.

A functional reverse is defined as "operable by the driver from his normal seated position and capable of sustained movement of the vehicle, under its own power, in a reverse direction." A driver-operated device for locking out reverse gear may be added provided it does not prevent prompt engagement of reverse in an emergency situation.

11. Heavy duty propeller shaft(s) and/or drive shaft(s) may be used. Steel retaining strap(s) shall be used to prevent drive shaft failure from dropping or entering driver compartment.
12. Any axle tube, final drive housing, gear ratio, limited slip, or locked differential may be used. Final drive units which permit ratio changes while the car is in motion are prohibited. GT cars registered after January 1, 1990 or GT cars converted to Section F.2., specifications, using the front engine/rear drive configuration, shall use a "closed tube" rear axle housing or may use independent rear suspension (IRS), by choice, at weight increase equal to 2.5% of the car's specified weight.
13. OEM body-engine-chassis combinations may run in their stock locations. If the factory chassis is altered with respect to engine mounting or spindle location then engine location must comply with the following: Engine location is defined such that the forward-most spark plug is within 1.0 inch of the front axle centerline. Engine and transmission mounts may be of alternate shape and/or material. Cars with engines mounted longitudinal to the chassis MAY relocate the engine in a longitudinal, not lateral, direction within the following restrictions: (Note: A tolerance of up to a 1.0 inch setback is allowed if the engine is relocated.)
 - A. V8, V6, and V4 engines shall align the center of the foremost spark plug hole in line with the front axle spindles.
 - B. In-line six (6) cylinder engines shall align the center of the first spark plug hole (from the front) in line with the front axle spindles.

- C. In-line four (4) cylinder engines shall align the center of the first spark plug hole (from the front) in line with the front axle spindles.
 - D. Rotary engines setback from the front spindle centerline to the front spark plug is 4.5 inches.
 - E. The engine may be rotated about the crankshaft centerline (lean over) a maximum of fifteen (15) degrees unless otherwise noted and shall not cause hood bulges.
14. Any transverse mounted engine may be rotated for axle/CV joint alignment. Any readily available transmission having a functional reverse and no more than five (5) forward speeds may be used, provided it is mounted to the rear of the engine. All transverse engines may be rotated 180 degrees. A transverse mounted engine may be rotated to a longitudinal position that places the crankshaft centerline on the longitudinal centerline of the car (shall conform to all restrictions in Section 9.1.2.F.4.e). The engine may be rotated about the crankshaft (lean over) a maximum of fifteen (15) degrees unless otherwise noted and shall not cause hood bulges. Rear axle / suspension per GTCS 9.1.2.F.2.
- f. Engine, Reciprocating**
- 1. Engines may be rebored a maximum of 1.2mm (0.047 inch) over the standard bore size listed in the GTCS. A cylinder block from any model from the same manufacturer which is of the same material and dimensionally identical throughout, except for non-critical bosses, is permitted.
 - 2. Crankshaft main bearing caps may be modified or substituted. Main bearing cap straps or girdles and/or additional main bearing cap bolts may be used, provided that no material is added to the block for their attachment.
 - 3. The crankshaft may be replaced with another of the same basic material, but with no change in stroke and provided the angles of the crank throws remain the same. The engine firing order shall remain unchanged.
 - 4. Connecting rods may be replaced with any connecting rod of steel (ferrous) material. Aluminum, titanium, and non-metal connecting rods are prohibited, except where fitted as standard.
 - 5. Any pistons and piston pins may be used.
 - 6. Any camshaft(s) may be used, provided locations are (is) the same as standard.
 - 7. Any cam followers may be used, except that roller cam followers shall not be used unless fitted as standard equipment.
 - 8. Any rocker arms and rocker assembly supports may be used.
 - 9. Valve sizes are unrestricted except when limited by the GTCS for specific automobiles. Centerlines shall not be altered. Valves may be of alternate material; non-metal is prohibited.
 - 10. Compression ratio may be altered by machining, using any head gasket(s) or elimination of head gasket(s).
- g. Engine, Rotary Piston**
- 1. The capacity of the working chamber(s) shall not be changed.
 - 2. The eccentric shaft may be replaced with another of the same basic material, but no changes in eccentricity or journal dimensions are permitted.
 - 3. Rotor is unrestricted, providing the material and number of lobes remain unchanged.
 - 4. Alternate rotor housings are allowed only as listed in the GTCS for specific automobiles. No changes are allowed in the epitrochoidal curve in alternate housing.
- h. Engines, GT3 Turbocharged Built:**
- 1. Engines up to 4 cylinders and 1800 cubic centimeters factory displacement are permitted with a single turbocharger. Engines may be prepared in accordance with 9.1.2.f.
 - 2. Turbo inlet restrictors designed per GCR Appendix F Technical Glossary definition of "Turbo Inlet Restrictor" may be required; see GT3 Turbocharged Built Engines Table.. Swapping of turbochargers between engine makes and models is prohibited.
 - 3. All cars shall use the installed engine's stock air throttling device (e.g., throttle body, carburetor) and intake manifold, unless noted otherwise.
 - 4. Compression ratio on spark-ignition engines is limited to 15.0:1.
 - 5. Dry sump systems are permitted. The oil tank shall be located within the bodywork.
 - 6. Factory turbocharged engines must run the stock turbo or any turbo from the following list:
 - a. KKK/Borg-Warner K04

9.1.2. Grand Touring Category Specifications

- b. IHI VF30, VF39, or VF48
- c. Garrett GT2554R, p/n 471171-3
- d. Borg-Warner EFR6258

i. Engines, GT3 Turbocharged OEM:

1. Engines up to 4 cylinders and 2000 cubic centimeters factory displacement are permitted. Engines must remain in their OEM configuration.
2. Turbo inlet restrictors designed per GCR Appendix F Technical Glossary definition of "Turbo Inlet Restrictor" may be required; see GT3 Turbocharged OEM Engine table.
3. Dry sump systems are permitted. The oil tank shall be located within the bodywork.

GT3 Turbocharged Built Engines:				
Engine Displacement (cc)	Valves / Cyl.	Restrictor	Weight (lbs)	Notes
< 1400	4	33 mm	2100	
1401-1850	4	34 mm	2250	

GT3 Turbocharged OEM Engines:				
See Car and Engine Spec Lines				

m. Cooling Systems

1. Cooling fan(s) may be modified, substituted, or removed. Electrically operated cooling fan(s) may be installed, provided it (they) serve no other purpose. The use of any engine, transmission, and/or differential oil coolers(s) is (are) permitted provided it (they) are mounted completely within or under the bodywork, but not in the driver/passenger compartment. Associated oil cooler pumps and lines are permitted for the transmission and differential. Air ducts may be fitted to the oil cooler(s) as specifically authorized herein.
2. Any water radiator is allowed, provided there are no changes in the exterior bodywork to accommodate its use. It shall not be located in the driver/ passenger compartment. Separate expansion or header tank(s) are permitted, provided they are mounted in the engine compartment. The heater core may be removed entirely but not modified or replaced.
3. Sealing or shrouding the airflow area between the normal grill opening and the water radiator is permitted.
4. On water cooled cars, thermostats may be modified or replaced with blanking sleeves or restrictors.
5. Alternate fan and fan shroud are permitted on air cooled engines.
6. Radiator intake and brake openings may be covered with screen and/or taped as necessary to protect the radiator and/or regulate air flow.

n. Fuel Induction System

All inducted air shall pass through venturi(s), maximum one (1) per cylinder or rotor.

1. Any air filter(s) may be used, or the filter(s) may be removed. Velocity stack(s) and/or air box(es) may be fitted. Air may be ducted to the carburetor(s) provided the ducting is contained within the engine compartment and air is supplied through normal openings in the bodywork (or as specifically authorized herein).
2. Any fuel pump(s) may be used and the location(s) may be changed. Fuel pump(s) shall not be located in the driver/passenger compartment.
3. All fuel/oil lines passing through the driver/passenger compartment shall be steel or metal braided hose. Number of fuel lines is unrestricted.
4. Carburetors:
 - A. Reciprocating engines: Carburetor(s) and intake manifold(s) are unrestricted except as limited in the GTCS for a specific make/ model. All cars with restricted carburetion are required to use I.R. manifolds with no plenums or balance pipes unless using an SIR or otherwise restricted for specific automobiles. Intake manifold(s) shall be attached to the head(s) without modification to the head(s).
 - B. Rotary engines: Carburetor and intake manifold are unrestricted except as limited in the GTCS

for a specific make/model. All cars with restricted carburetion are required to use I.R. manifolds with no plenums or balance pipes, unless using an SIR. Intake manifold(s) shall be attached to the end cover(s) or rotor housing(s) without modification to the end cover(s) or rotor housing(s).

- C. No portion of the intake manifold(s) may extend into the intake ports (reciprocating and rotary engines.)
 - D. Carburetors shall incorporate a butterfly-type throttle plate for engine speed control. *For GTLite only: Carburetors shall incorporate a butterfly or slide-type throttle plate for engine speed control.*
 - E. Where Weber or Weber-type carburetors are specified and used, they shall retain their standard configurations of fuel distribution. This is to prohibit annular discharge carburetors.
 - F. Where Weber carburetors are specified, Weber-type carburetors may be substituted. The following are approved Weber-type carburetors: Weber, Solex, SK, Mikuni, Delorto, Berg, and PMO.
5. Any car may utilize fuel injection, whether originally equipped with fuel injection or not. The following restrictions apply.
- A. Both method and manufacturer are open.
 - B. Intake manifold shall be of the individual runner type, unless using an SIR or otherwise notes on the vehicle spec line. Cars using an SIR may use any manifold type.
 - C. Only butterfly-type throttle plates for engine speed control, one per cylinder or rotor, are permitted if intake restrictors and/or chokes are specified on the vehicle specification line, the restrictors shall be round orifices (unless otherwise specified) and located within four (4) inches of the throttle butterfly. SIR location is unrestricted so long as all SIR criteria are met. Restrictors shall be a minimum .060" thickness and of the specified diameter.
 - D. All inducted air for each cylinder must pass through the specified restrictor. Fuel injected cars, unless otherwise specified, shall use the same individual venturi restriction size specified for a car using carbureted induction.
 - E. The number of injectors shall be one (1) per cylinder (unless otherwise noted on the vehicle specification line). Direct injection is not permitted.
 - F. Rotary engines may use two (2) injectors per rotor.
6. Supercharging/turbocharging is prohibited.
7. Any throttle linkage may be used.
8. Induction systems shall be equipped with a positive method of throttle closing by means of (an) external spring(s).

For GT3 only:

9. *As an option, induction system "Chokes" may be used where a SIR is required.*
Said chokes shall be fitted to each barrel of carburetor/throttle body and all airflow into engine must pass through them. Choke size will be the same as listed SIR unless noted.
This option is for normally aspirated cars with SIRs only and does not apply to turbo cars with TIRs.
10. *All 2.0 liter 4-valve non-turbo engines currently listed in GT3 shall be permitted to run without any restriction (SIR or chokes) at 2060lbs.*

j. Brakes

- 1. Any dual master cylinders and/or pressure equalizing/regulating device(s) are permitted. ABS braking systems are allowed if shown on the individual Spec Line.
- 2. Servo-assist systems are unrestricted.
- 3. Backing plates/dirt shields may be ventilated or removed. Brake air ducts may be fitted within the provisions of these rules. One brake duct fan per corner may be added.
- 4. The hand brake may be removed.
- 5. Brake lines shall be steel or metal braided hose. They may be relocated and may be given additional protection.
- 6. Brake calipers and/or drums are unrestricted except as limited by the GTCS for a specific make/model. Brake rotors shall be ferrous material but are otherwise unrestricted. Brake rotors/drums shall be located in the original position (e.g., inboard vs. outboard).

9.1.2. Grand Touring Category Specifications

7. Water cooled brakes are permitted, maximum reservoir capacity two (2) gallons, maximum line size 3/16 inch I.D. The water shall be atomized by an atomizing nozzle, and the water shall enter the air duct a minimum of twelve (12) inches from the centerline of the spindle/axle.

k. GTLite Rules Concerning Alternate Weights and SIRs

1. Allow currently restricted 2V engines less than 1400ccs to run unrestricted at a 100 lb. weight penalty. Allow currently restricted 3V and 4V engines less than 1400ccs to run 1mm larger SIR as an option at a 100 lb. weight penalty.
2. Allow all 2V and 3V restricted engines less than 1600ccs to run 1mm larger SIR as an option at a 125 lb weight penalty.
3. Allow all 4V restricted engines less than 1600ccs to run 1mm larger SIR as an option at a 175 lb weight penalty.
4. Competitors running the alternate SIR must display "+ 1mm" on the side of their car next to their new weight.
5. Competitors running the unrestricted option must display "UNR" on the side of their car next to their new weight.
6. Compression ratio limited to 15:1 for SIR restricted engines.

l. GT2 Rules Concerning Alternate Weights and SIRs

1. Traditional GT2 cars that are currently required to run an SIR may run unrestricted induction with a 350 lb. weight penalty. This weight penalty is to be added prior to any "add-on" penalties, such as sequential shifting, IRS, etc.

GT2 Cars

ACURA

Model	Years	Body Style	Drive-line	Wheel-base (in)	Notes
NSX	NA	2dr	RWD	99.6	The fuel cell(s) may be relocated to the front trunk area.
NSX	2017	2dr	AWD	103.5	Cars must be prepared in accordance with the appropriate model/year Acura factory parts catalog/service manual. Drivers must have the correct year manual as it applies to their specific car in their possession. Cars may not be altered in any way except as authorized below. NSX GT3 spec wing allowed. (2) 34mm TIRs required.
RSX	NA	2dr	FWD	101.2	No mid-engine mounting. Hood bulge permitted with no openings.

Engines - ACURA

Engine Family	Engine Type	Bore x Stroke (mm)	Disp. (cc)	Head Type	Valves/ Cyl.	Fuel Induction	Weight (lbs)	Notes
	DOHC	87.0 x 84.0	1997	Alum, Cross-flow	4	Automotive type sidedraft	1830	
K20A	DOHC	86.0 x 86.0	1998	Alum, Cross-flow	4	Unrestricted	1830	
	DOHC	87.0 x 90.7	2157	Alum, Cross-flow	4	Automotive type sidedraft	1830	
	DOHC	89.9 x 78.0	2971	Alum, Cross-flow	4	Automotive type sidedraft	2140	
	DOHC	93.0 x 78.0	3176	Alum, Cross-flow	4	Automotive type Unrestricted	2190	
	SOHC	89.0 x 86.0	3210	Alum, Cross-flow	4		2280	
	SOHC	89.0 x 93.0	3471	Alum, Cross-flow	4		2280	

GT2 Cars - ALFA ROMEO

Model	Years	Body Style	Drive-line	Wheel-base (in)	Notes
GTV	NA	2dr	RWD	94.5	Hood modifications allowed for carburetors.

Engines - ALFA ROMEO

Engine Family	Engine Type	Bore x Stroke (mm)	Disp. (cc)	Head Type	Valves/ Cyl.	Fuel Induction	Weight (lbs)	Notes
	SOHC	88.0 x 68.3	2492	Alum, Cross-flow	2	Unrestricted	1900	
	SOHC	93.0 x 72.6	2959	Alum, Cross-flow	2	Unrestricted	2040	

GT2 Cars - AUDI

Model	Years	Body Style	Drive-line	Wheel-base (in)	Notes
TT Coupe	NA	2dr	FWD	97.3	

GCR - 329

9.1.2. GT2 Spec Lines

Engines - AUDI

Engine Family	Engine Type	Bore x Stroke (mm)	Disp. (cc)	Head Type	Valves/ Cyl.	Fuel Induction	Weight (lbs)	Notes
	DOHC	82.5 x 92.8	1984	Alum, Cross-flow	4	Unrestricted	1730	

GT2 Cars - BMC thru Rover Group

Model	Years	Body Style	Drive-line	Wheel-base (in)	Notes
MGB GT V8 & RV8	NA	2dr	RWD	91.0	
TR8	NA	2dr	RWD	85.0	

Engines - BMC thru Rover Group

Engine Family	Engine Type	Bore x Stroke (mm)	Disp. (cc)	Head Type	Valves/ Cyl.	Fuel Induction	Weight (lbs)	Notes
	OHV	71.1 x 88.9	3528	Alum, Cross-flow	2		2280	Alternate induction: Holley P/N 0-80507-1 (390 CFM) on unrestricted manifold with a mandatory plate between the carburetor and plenum of 0.060" flat steel or aluminum plate with four (4) 1.15" holes. Spacer is unrestricted. The restrictor plate shall be positioned within 4" of the throttle butterflies. All inducted air shall pass through the specified restrictor plate.

GT2 Cars - BMW

Model	Years	Body Style	Drive-line	Wheel-base (in)	Notes
1 Series (E82)	08-12	2dr	RWD	104.7	
325	84-91	2dr	RWD	101.2	
M3 (E30)	88-91	2dr	RWD	101.2	
M3 (E36)	95-99	2dr	RWD	106.3	
M3 (E46)	00-	2dr	RWD	106.3	
330ci (E46)	01-	2dr	RWD	107.3	

Engines - BMW

Engine Family	Engine Type	Bore x Stroke (mm)	Disp. (cc)	Head Type	Valves/ Cyl.	Fuel Induction	Weight (lbs)	Notes
S14	DOHC	93.4 x 84.0	2302	Alum, Crossflow	4	Unrestricted automotive type	1950	
M20	SOHC	84.1 x 75.0	2494	Alum, Crossflow	2	Unrestricted automotive type	1950	
M50	DOHC	84.1 x 75.0	2494	Alum, Crossflow	4	Unrestricted automotive type	2140	
M52B28	DOHC	84.0 x 84.0	2793	Alum, Crossflow	4	Unrestricted automotive type	2140	
N52B30	DOHC	85.0 x 88.0	2996	Alum, Crossflow	4	Unrestricted automotive type	2140	
S50	DOHC	86.0 x 85.8	2990	Alum, Crossflow	4	Unrestricted automotive type	2140	

GCR - 330

S50B32	DOHC	86.4 x 91.0	3201	Alum. Cross-flow	4		2280	
S52	DOHC	86.4 x 89.6	3152	Alum. Cross-flow	4		2280	
S54	DOHC	87.0 x 91.0	3246	Alum. Cross-flow	4		2280	

GT2 Cars - CHEVROLET

Model	Years	Body Style	Drive-line	Wheel-base (in)	Notes			
Cavilier Z24	NA	2dr	FWD	104.0				
Monza	75-80	2dr	RWD	97.0				

Engines - CHEVROLET

Engine Family	Engine Type	Bore x Stroke (mm)	Disp. (cc)	Head Type	Valves/ Cyl.	Fuel Induction	Weight (lbs)	Notes
	DOHC	89.9 x 89.03	2210	Alum, Cross-flow	4		1830	GM racing block #XGB615 and cylinder head #XGBH614 allowed.
	DOHC	92.2 x 85.09	2272	Alum, Cross-flow	2		1950	
EcoTec	DOHC	88.9 x 94.6	2349	Alum. Cross-flow	4		1950	
	DOHC	90.0 x 94.0	2392	Alum, Cross-flow	4		1950	
	OHV	101.6 x 82.6	2679	Alum, Cross-flow	2	Unrestricted automotive type	1900	
	OHV	89.0 x 84.0	3136	Iron, Cross-flow	2	Unrestricted	2020	

GT2 Cars - CHRYSLER/DODGE/PLYMOUTH

Model	Years	Body Style	Drive-line	Wheel-base (in)	Notes			
Breeze / Stratus	NA	2dr	FWD	108.0				
Neon	NA	2dr, 4dr	FWD	104.0				
Daytona / Laser	84-87	2dr	FWD	97.0	Turbo Z body panels allowed.			
Viper Roadster	NA	2dr	RWD		Roadster must run windscreen and frame per "stock" dimensions.			

Engines - CHRYSLER/DODGE/PLYMOUTH

Engine Family	Engine Type	Bore x Stroke (mm)	Disp. (cc)	Head Type	Valves/ Cyl.	Fuel Induction	Weight (lbs)	Notes
	SOHC	87.5 x 83.0	1995	Alum, Cross-flow	4	Unrestricted automotive type	1830	
	DOHC	87.5 x 83.0	1995	Alum, Cross-flow	4	Unrestricted automotive type	1830	
	SOHC	87.5 x 92.0	2213	Alum, Non-Crossflow	2	(2) Automotive type	1950	
	DOHC	87.5 x 101.0	2429	Alum, Cross-flow	2	Unrestricted automotive type	1950	

GT2 Cars - FERRARI

Model	Years	Body Style	Drive-line	Wheel-base (in)	Notes
308 GTB	76-	2dr	RWD	92.1	Fuel cell(s) must comply with GCR 9.3 Fuel Cell Specifications but may be relocated to front trunk or remain in OEM saddle tank locations.
288, 328, 348, 355	NA	2dr	RWD	96.5	Fuel cell(s) must comply with GCR 9.3 Fuel Cell Specifications but may be relocated to front trunk or remain in OEM saddle tank locations. Engine may be rotated longitudinally.

Engines - FERRARI

Engine Family	Engine Type	Bore x Stroke (mm)	Disp. (cc)	Head Type	Valves/ Cyl.	Fuel Induction	Weight (lbs)	Notes
	DOHC	81.0 x 71.0	2926	Alum, Cross-flow	2	Unrestricted Automotive type	2140	
	DOHC	83.5 x 68.0	2980	Alum, Cross-flow	4		2280	

GT2 Cars - FORD

Model	Years	Body Style	Drive-line	Wheel-base (in)	Notes
Capri I, II	NA	2dr	RWD	100.8	
Mustang	74-78	2dr	RWD	100.8	
Mustang	79-93	2dr	RWD	100.5	
Mustang	10-11	2dr	RWD	101.0/107.1	Duratech DOHC engine, as specified in GT3, to run unrestricted in GT 2. Minimum weight is 1950 lbs.
Probe	NA	2dr	FWD	99.0/102.9	

Engines - FORD

Engine Family	Engine Type	Bore x Stroke (mm)	Disp. (cc)	Head Type	Valves/ Cyl.	Fuel Induction	Weight (lbs)	Notes
	SOHC	91.0 x 77.0	1993	Alum, Cross-flow	2	(2) Automotive type	1830	
	DOHC	84.5 x 74.2	2496	Alum, Cross-flow	4	Unrestricted automotive type	2105	
	OHV	90.0 x 66.8	2550	Iron, Cross-flow	2	Unrestricted automotive type	2040	
	OHV	93.0 x 68.6	2796	Iron, Cross-flow	2	Unrestricted automotive type	2040	
	OHV	93.0 x 72.6	2934	Iron, Cross-flow	2	Unrestricted automotive type	2040	World Products 2.9 OHV cylinder head allowed.
	DOHC	3.76 x 3.41	3726	Alum. Cross-flow	4	Unrestricted automotive type	2380	

GT2 Cars - GINETTA

Model	Years	Body Style	Drive-line	Wheel-base (in)	Notes
Ginetta G40	2002-	2-Door Coupe	RWD	88.6	Must comply all GT2 rules except as noted on spec line. May use FIA roll cage. Must have complete build specs in possession at all race events.
Ginetta G56 GTA	21-22	2-Door Coupe	RWD	96.6	Weight 2600lbs. 3.7L Ford V6 (Sealed) w/dry sump.W/ 6 speed Quaife sequential. Must be run as a "Spec Car" as Factory built and sealed. Must have Factory manual or Factory Build Sheet in possession at all race events. May use any brand of oil, filter, gear oil and brake fluid. Optional: May use 18" x 9" and 18" x 10" Wheels.

Engines - GINETTA

Engine Family	Engine Type	Bore x Stroke (mm)	Disp. (cc)	Head Type	Valves/ Cyl.	Fuel Induction	Weight (lbs)	Notes
Ginetta/Mazda MZR/L5-VE		89.0mm X 100.0mm Alternate Crank 89mm X 94mm	2488cc 2399cc	Cross Flow	4V 4	Unrestricted	1950 + 49 lbs for IRS. + 25lbs. for sequential.	With or without alternate crank. 5 or 6 speed

GT2 Cars - INFINITI

Model	Years	Body Style	Drive-line	Wheel-base (in)	Notes
G20	99-02	4dr	FWD	102.4/97.5	

Engines - INFINITI

Engine Family	Engine Type	Bore x Stroke (mm)	Disp. (cc)	Head Type	Valves/ Cyl.	Fuel Induction	Weight (lbs)	Notes
	DOHC	86.0 x 86.0	1998	Alum, Cross-flow	4	Unrestricted automotive type	1830	

GT2 Cars - HONDA

Model	Years	Body Style	Drive-line	Wheel-base (in)	Notes
Prelude	93-	2dr	FWD	100.4	
Civic Coupe	92-95	2dr	FWD	103.2	
Civic Hatchback	92-95	2dr	FWD	101.3	
CRX	88-91	2dr	FWD	90.6	
S2000	00-09	2dr	RWD	94.5	

Engines - HONDA								
Engine Family	Engine Type	Bore x Stroke (mm)	Disp. (cc)	Head Type	Valves/ Cyl.	Fuel Induction	Weight (lbs)	Notes
K20A	DOHC	86.0 x 86.0	1998	Alum, Cross-flow	4	Unrestricted	1830	
KA20A2, KA20A3	DOHC	87.0 x 90.7	2157	Alum, Cross-flow	4	Unrestricted automotive type	2040	VTEC not allowed.
	DOHC	87.0 x 90.7	2157	Alum, Cross-flow	4	Unrestricted automotive type	2040	VTEC not allowed.
	DOHC	86.9 x 95.0	2252	Alum, Cross-flow	4	Unrestricted automotive type	2090	
K24A	DOHC	87.0 x 99.0	2354	Alum, Cross-flow	4	Unrestricted	1950	

GT2 Cars - JAGUAR					
Model	Years	Body Style	Drive-line	Wheel-base (in)	Notes
XKE Coupe, Roadster	NA	2dr	RWD	96.0	Roadster windshield may be removed and a low front hoop roll cage fitted.

Engines - JAGUAR								
Engine Family	Engine Type	Bore x Stroke (mm)	Disp. (cc)	Head Type	Valves/ Cyl.	Fuel Induction	Weight (lbs)	Notes
	DOHC	87.1 x 105.9	3781	Alum, Cross-flow	2	Unrestricted Automotive type	2110	
	DOHC	92.0 x 105.9	4235	Alum, Cross-flow	2	Unrestricted Automotive type	2110	

GT2 Cars - LOTUS					
Model	Years	Body Style	Drive-line	Wheel-base (in)	Notes
Esprit	75-	2dr	RWD	96.0	

Engines - LOTUS								
Engine Family	Engine Type	Bore x Stroke (mm)	Disp. (cc)	Head Type	Valves/ Cyl.	Fuel Induction	Weight (lbs)	Notes
	DOHC	95.3 x 76.2	2174	Alum, Cross-flow	4	Unrestricted (2)Automotive type	2040	

GT2 Cars - MAZDA					
Model	Years	Body Style	Drive-line	Wheel-base (in)	Notes
MX-5 / Miata	90-	2dr	RWD	89.2	
RX-7	NA	2dr	RWD	95.2 / 95.5 / 95.7	Downing GTS body kit allowed. This "one-off" body allowance is not meant as an open invitation for others to be classified. May run transaxle with 100 lbs. weight penalty.
RX-8	NA	2dr	RWD	98.0	May run transaxle with 100 lbs. weight penalty.

Engines - MAZDA

Engine Family	Engine Type	Bore x Stroke (mm)	Disp. (cc)	Head Type	Valves/ Cyl.	Fuel Induction	Weight (lbs)	Notes
12A	Street Port		2292			Unrestricted Automotive type	1720	
12A	Street / Bridge / Peripheral Port		2292			Unrestricted automotive type	1810	
13B	Street / Bridge Port		2616			Unrestricted Automotive type	1810	Part# <i>BW7670</i> or <i>Garrett G30-660</i> Turbocharger-46mm Turbo Inlet Restrictor (TIR), Street Port only @ 2280lbs.
13B	Peripheral Port		2616			Unrestricted automotive type	1900	
Reneis	Street Port		2616			Unrestricted Automotive type	1810	
	DOHC	89.0 x 79.5	2967	Alum, Cross-flow	4	Unrestricted Automotive type	2090	Hood bulge allowed.
20B	Street / Bridge / Peripheral Port		3924			Unrestricted Automotive type	2280	
20B	Street / Bridge / Peripheral Port		3924			Unrestricted Automotive type	2500	Must run +100 lbs. for Grand Am transaxle and independent rear suspension. Must comply with all other GT2 rules.
MZR/L5-VE	DOHC	89.0 x 100.0	2488	Crossflow	4	Unrestricted	1950	Direct injection not permitted. Allow 2.3L 94.0 mm stroke crankshaft with displacement of 2339cc.

GT2 Cars - MERCEDES BENZ

Model	Years	Body Style	Drive-line	Wheel-base (in)	Notes
190E	85-92	4dr	RWD	104.9	

Engines - MERCEDES BENZ

Engine Family	Engine Type	Bore x Stroke (mm)	Disp. (cc)	Head Type	Valves/ Cyl.	Fuel Induction	Weight (lbs)	Notes
	SOHC	82.9 x 80.3	2599	Alum, Cross-flow	2	Unrestricted automotive type	2060	

GT2 Cars - MERCURY

Model	Years	Body Style	Drive-line	Wheel-base (in)	Notes
Capri	79-86	2dr	RWD	100.8	

Engines - MERCURY

Engine Family	Engine Type	Bore x Stroke (mm)	Disp. (cc)	Head Type	Valves/ Cyl.	Fuel Induction	Weight (lbs)	Notes
	OHV	93.0 x 68.6	2796	Iron, Cross-flow	2	Unrestricted automotive type	2040	
	OHV	93.0 x 72.6	2934	Iron, Cross-flow	2	Unrestricted automotive type	2040	World Products 2.9 OHV cylinder head allowed.

GT2 Cars - NISSAN

Model	Years	Body Style	Drive-line	Wheel-base (in)	Notes
Nissan GT-R	2009-	2dr	RWD		
240Z / 260Z / 280Z	-78	2dr	RWD	90.7	Headlight covers allowed. Hood bulge allowed.
280-Z 2 + 2	NA	2dr	RWD	102.6	
280-ZX	79-	2dr	RWD	91.3	
240-SX	NA	2dr	RWD	97.5	
240-SX S13	NA	2dr	RWD	97.5	Hood bulge allowed.
240-SX S14	NA	2dr	RWD	99.4	Hood bulge allowed.
300-ZX Z31	-89	2dr	RWD	91.3	Hood bulge allowed.
300-ZX Z32	90-	2dr	RWD	96.5/101.2	Hood bulge allowed.
350Z/370Z	NA	2dr	RWD	97.5 / 99.4 / 104.3/90.7 / 91.3/102.6 / 104.3/91.3 / 96.5/101.2 / 104.4	Doors may be pinned from the bottom at door bar height. Hood bulge allowed.

Engines - NISSAN

Engine Family	Engine Type	Bore x Stroke (mm)	Disp. (cc)	Head Type	Valves/ Cyl.	Fuel Induction	Weight (lbs)	Notes
SR20DE/VE	DOHC	86.0 x 86.0	1998	Alum, Cross-flow	4	Unrestricted automotive type	1830	
L24	SOHC	83.0 x 73.3	2380	Alum, Non-Crossflow	2	Unrestricted Automotive type	1950	
KA24E	SOHC	89.0 x 96.0	2389	Alum, Cross-flow	3	Unrestricted	1920	
KA24DE	DOHC	89.0 x 96.0	2389	Alum, Cross-flow	4		1950	
QR25DE/DD	DOHC	89.0 x 100.0	2489	Alum, Cross-flow	4		2080	Direct injection not permitted.
VQ25	DOHC	85.0 x 73.3	2495	Alum, Cross-flow	4		2130	Nismo cyl head #11040RRZ30 and 11090RRZ30 allowed.
L26	SOHC	83.0 x 79.0	2565	Alum, Non-Crossflow	2	Unrestricted Automotive type	1950	
VG30	SOHC	87.0 x 77.2	2754	Alum, Non-Crossflow	2	Unrestricted Automotive type	1950	
L28	SOHC	86.1 x 79.0	2760	Alum, Non-Crossflow	2	Unrestricted Automotive type	1950	
L28	SOHC	86.1 x 83.0	2899	Alum, Cross-flow	2	Unrestricted Automotive type	2040	
VG30	DOHC	87.0 x 83.0	2960	Alum, Cross-flow	4	Automotive type sidedraft w/ 40mm choke(s)	2140	An SCCA approved F.I. kit of OEM origin is allowed. Contact the National Office for part numbers and specs.
VQ30	DOHC	93.0 x 73.3	2988	Alum, Cross-flow	4	Unrestricted Automotive type	2200	Nismo cyl head #11040RRZ30 and 11090RRZ30 allowed.

VQ35 w/ VQ30 crankshaft	DOHC	95.5 x 73.3	3150.3	Alum, Cross-flow	4		2280	Nismo cyl head #11040RRZ30 and 11090RRZ30 allowed.
VQ30 w/ VQ35 crankshaft	DOHC	93.0 x 81.4	3317.7	Alum, Cross-flow	4		2280	Nismo cyl head #11040RRZ30 and 11090RRZ30 allowed.
VG33	SOHC	81.5 x 83.0	3275	Alum, Cross-flow	2	40mm chokes	2090 2230	
VG33E	DOHC	91.5 x 83.0	3275	Alum. Cross-flow	4		2280	
VQ35	DOHC	95.5 x 81.4	3498	Alum, Cross-flow	4		2280	Nismo cyl head #11040RRZ30 and 11090RRZ30 allowed.

GT2 Cars - PANOZ

Model	Years	Body Style	Drive-line	Wheel-base (in)	Notes
Esperante GTS	NA	2dr	RWD	107.6	Cars must be prepared to Panoz Esperante GTS specifications and competitors must have a copy of the current GTS rules in their possession. Wheels: (F) 18x10 (R) 18x11. Track (F) 64.0 (R) 67.8. Any tire with a diameter of 17" or 18" may be used provided the tire does not exceed a maximum cross section width of 11.5" in the front and 12.5" in the rear; or may use conventional GT2 tires and wheels per GTCS 9.1.2.F.4.c.10. Internal modification to stock Penske 7500 shocks are permitted. Shock seals are not required. Brakes are unrestricted. Front and rear anti-roll bars are unrestricted. Shock and springs are free, transmission type and ratios are free, differential gear ratio only is free (all GT2 transmission rules apply), roof vents allowed per GTCS.
Panoz GTWC	NA	2DR	RWD	107.6	Cars must be prepared to Panoz GTWC specifications. Wheels: (F) 18x10 (R) 18x11. Track (F) 64.0 (R) 67.8. Any tire with a diameter of 17" or 18" may be used provided the tire does not exceed a maximum cross section width of 11.5" in the front and 12.5" in the rear; or may use conventional GT2 tires and wheels per GTCS 9.1.2.F.4.c.10. Internal modification to stock Penske 7500 shocks are permitted. Shock seals are not required. Brakes are unrestricted. Front and rear anti-roll bars are unrestricted. Shock and springs are free, transmission type and ratios are free, differential gear ratio only is free (all GT2 transmission rules apply), roof vents allowed per GTCS.

Engines - PANOZ

Engine Family	Engine Type	Bore x Stroke (mm)	Disp. (cc)	Head Type	Valves/ Cyl.	Fuel Induction	Weight (lbs)	Notes
	OHV	101.6 x 88.9	5754	Alum, Cross-flow	2	Holly 4bbl. 750 cfm #0-4779C. ProForm 67100C throttle body - Panoz part #GTS6-3349 allowed.	2880	Maximum compression ratio of 10.5:1. Fresh air intake air cleaner housing Panoz #GTS9-3348 allowed. Engine seals are no longer being installed; engines must comply with Panoz GTS engine requirements available at http://www.scca.com/clubracing/content.cfm?cid=44722 .
Ford V8	OHV	89.45-100.38 x 89.9	4.6L	Alum, Cross-flow	4	Fuel Injection	2880	Fresh air intake air cleaner housing Panoz #GTS9-3348 allowed. Must comply with Panoz GTWC engine requirements available at http://www.scca.com/clubracing/content.cfm?cid=44722 .
TA2 "Choice Engine"							2880	May use the currently classified TA2 "Choice Engine" with any 5 speed "H" shift pattern transmission.

GT2 Cars - PONTIAC

Model	Years	Body Style	Drive-line	Wheel-base (in)	Notes
Fiero	NA	2dr	FWD	93.4	May convert to front engine/rear wheel drive. If OEM engine location is used (i.e. rear-engine) IRS weight penalty is waived. Air cleaner may protrude through engine hatch.
Grand Am	NA	2dr	FWD	103.4	
Sunfire GT	NA	2dr	FWD	104.0	

Engines - PONTIAC

Engine Family	Engine Type	Bore x Stroke (mm)	Disp. (cc)	Head Type	Valves/ Cyl.	Fuel Induction	Weight (lbs)	Notes
---------------	-------------	--------------------	------------	-----------	--------------	----------------	--------------	-------

	DOHC	86.0 x 94.6	2198	Alum, Cross-flow	4		1830	
LE5 Ecotech	DOHC	88.9 x 89.03	2210	Alum, Cross-flow	4		1830	GM racing block #XGB615 and cylinder head #XGBH614 allowed.
	DOHC	92.2 x 85.09	2272	Alum, Cross-flow	4	Unrestricted Automotive type	1950	
EcoTec	DOHC	88.9 x 94.6	2349	Alum, Cross-flow	4		1950	GM racing block #XGB615 and cylinder head#XGBH614 allowed.
	DOHC	90.0 x 94.0	2392	Alum, Cross-flow	4		1950	
	OHV	101.6 x 76.2	2471	Iron, Cross-flow	2	Unrestricted Automotive type	1810	
	OHV	101.6 x 82.6	2679	Iron, Cross-flow	2	Unrestricted Automotive type	1900	
	OHV	89.0 x 76.0	2837	Iron, Cross-flow	2	Unrestricted automotive type	2080	Factory aluminum cylinder heads allowed.
	OHV	89.0 x 84.0	3136	Iron, Cross-flow	2	Unrestricted automotive type	2150	
	OHV	92.0 x 84.0	3350	Iron, Cross-flow	2	Unrestricted automotive type	2090	
	OHV	94.0 x 84.0	3498	Iron, Cross-flow	2	Unrestricted automotive type	2140	
	DOHC	94.0 x 85.6	3564	Alum head, cross flow	4	Direct Injection not permitted.	2280	

GT2 Cars - PORSCHE

Model	Years	Body Style	Drive-line	Wheel-base (in)	Notes
911 Coupe & Targa	68-	2dr	RWD	89.4	Factory spoiler: 930-512-023-00 & 530-512-021-00 (or kit #930-512-901-01), no reproductions. Windshield may be removed on Targa and a low front hoop roll cage may be fitted.
914-6	NA	2dr	RWD	96.5	Top panels may remain if bolted or pinned. Roof of alt. material allowed. Windshield may be removed and a low front roll cage may be fitted. 75-76 bumpers allowed.
928S4 & 928GTS		2dr	RWD		Engine build rules: stock displacement of 5397cc (not included allowed 1mm overbore), .600" max cam lift, 12:1 max compression ratio. Weight @ 2,900 pounds. Must comply to all of the ST rules other than what is stated here.
944	NA	2dr	RWD	94.5	
968	NA	2dr	RWD	94.5	
Boxster	NA	2dr	RWD	95.1	Top panels may remain if bolted or pinned. Roof of alt. material allowed. Windshield may be removed and a low front roll cage may be fitted.
991.1 GT3 Cup	(14-16)	2dr	RWD	92.7	3.8L flat six. 3000lbs. w/72mm Throttle Body Restrictor (TBR). Cars must be prepared in accordance with the appropriate model/year Porsche factory 911 GT3 Cup parts catalog/service manual. Cars may not be altered in any way except as authorized below. Drivers must have the correct year manuals as they apply to their specific car in their possession. Safety, drivers comfort, driver control and instrumentation items may be modified per the GCR. Original factory installed Matter/IMV roll cages are allowed. The stock unmodified fuel tank is allowed. Windshield clips must be installed per GCR 9.3 Windshield Clips/Rear Window Straps. All other SCCA safety standards apply. The following additional modifications are authorized: Alternate hood provided it is a facsimile of the stock part. Any wheel, including 5 bolt (and the required 5 bolt modification to the hubs). Tires per GCR 9.3 Tires. Battery size and location is unrestricted. Shocks are unrestricted but they shall be installed in the stock locations with the stock, unmodified pick up points. Any suspension settings are allowed provided they are achieved without modifications. Machining of suspension components and pick up points to achieve caster/camber/toe is not allowed. Lubricants, consumable fluids (brake fluid, coolant etc.) and oil filters are open free. Modifications listed in Grand Am, IMSA Cup, World Challenge or any other rules, except those listed above, are specifically not allowed. Factory (OEM manufacturer) Lexan front windows allowed as delivered. ABS is allowed.

991.2 GT3 Cup Car	(2017-)	2dr	RWD	92.7	4.0L flat six. 3000 lbs. w/ 65mm Throttle Body Restrictor (TBR). Cars must be prepared in accordance with the appropriate model/year Porsche factory 911 GT3 Cup parts catalog/service manual. Cars may not be altered in any way except as authorized below. Drivers must have the correct year manuals as they apply to their specific car in their possession. Safety, drivers comfort, driver control and instrumentation items may be modified per the GCR. Original factory installed Matter/IMV roll cages are allowed. The stock unmodified fuel tank is allowed. Windshield clips must be installed per GCR 9.3 Windshield Clips/Rear Window Straps. All other SCCA safety standards apply. The following additional modifications are authorized: Alternate hood provided it is a facsimile of the stock part. Any wheel, including 5 bolt (and the required 5 bolt modification to the hubs). Tires per GCR 9.3 Tires. Battery size and location is unrestricted. Shocks are unrestricted but they shall be installed in the stock locations with the stock, unmodified pick up points. Any suspension settings are allowed provided they are achieved without modifications. Machining of suspension components and pick up points to achieve caster/camber/toe is not allowed. Lubricants, consumable fluids (brake fluid, coolant etc.) and oil filters are open free. Modifications listed in Grand Am, IMSA Cup, World Challenge or any other rules, except those listed above, are specifically not allowed. Factory (OEM manufacturer) Lexan front windows allowed as delivered. ABS is allowed with a 100lb. penalty.
996/997.1 GT3 Cup	996: 98-05 997: 06-09	2dr	RWD	996: 92.5 997: 92.7	3.6L flat six. 2800 lbs. Cars must be prepared in accordance with the appropriate model/year Porsche factory 911 GT3 Cup parts catalog/service manual. Cars may not be altered in any way except as authorized below. Drivers must have the correct year manuals as they apply to their specific car in their possession. Safety, drivers comfort, driver control and instrumentation items may be modified per the GCR. Original factory installed Matter/IMV roll cages are allowed. The stock unmodified fuel tank is allowed. Windshield clips must be installed per GCR 9.3 Windshield Clips/Rear Window Straps. All other SCCA safety standards apply. The following additional modifications are authorized: Alternate hood provided it is a facsimile of the stock part. Any wheel, including 5 bolt (and the required 5 bolt modification to the hubs) provided they do not exceed 18x9 F and 18x11 R. Tires per GCR 9.3 Tires. Battery size and location is unrestricted. Shocks are unrestricted but they shall be installed in the stock locations with the stock, unmodified pick up points. Any suspension settings are allowed provided they are achieved without modifications. Machining of suspension components and pick up points to achieve caster/camber/toe is not allowed. Lubricants, consumable fluids (brake fluid, coolant etc.) and oil filters are open free. Modifications listed in Grand Am, IMSA Cup, World Challenge or any other rules, except those listed above, are specifically not allowed. No updating or backdating permitted between 996 and 997 cars. 996 required gear ratios: Crown wheel and pinion 8/32; 1st gear 13/41, 2nd gear 20/40, 3rd gear 25/39, 4th gear 29/36 or 26/34, 5th gear 32/33 or 32/35, 6th gear 35/30 or 34/31; 997 required gear ratios: Crown wheel and pinion 8/32; 1st gear 12/38, 2nd gear 15/32, 3rd gear 18/31, 4th gear 20/28, 5th gear 23/26, 6th gear 29/27. Paddle shift system allowed with 100 lb. weight penalty. Factory (OEM manufacturer) Lexan front windows allowed as delivered. ABS is allowed. Exhaust header permitted.
997.2 GT3 Cup	(10-14)	2dr	RWD	92.7	3.8L flat six. 2900 lbs. Cars must be prepared in accordance with the appropriate model/year Porsche factory 911 GT3 Cup parts catalog/service manual. Cars may not be altered in any way except as authorized below. Drivers must have the correct year manuals as they apply to their specific car in their possession. Safety, drivers comfort, driver control and instrumentation items may be modified per the GCR. Original factory installed Matter/IMV roll cages are allowed. The stock unmodified fuel tank is allowed. Windshield clips must be installed per GCR 9.3 Windshield Clips/Rear Window Straps. All other SCCA safety standards apply. The following additional modifications are authorized: Alternate hood provided it is a facsimile of the stock part. Any wheel, including 5 bolt (and the required 5 bolt modification to the hubs). Tires per GCR 9.3 Tires. Battery size and location is unrestricted. Shocks are unrestricted but they shall be installed in the stock locations with the stock, unmodified pick up points. Any suspension settings are allowed provided they are achieved without modifications. Machining of suspension components and pick up points to achieve caster/camber/toe is not allowed. Lubricants, consumable fluids (brake fluid, coolant etc.) and oil filters are open free. Modifications listed in Grand Am, IMSA Cup, World Challenge or any other rules, except those listed above, are specifically not allowed. Factory (OEM manufacturer) Lexan front windows allowed as delivered. ABS is allowed.

Engines - PORSCHE

Engine Family	Engine Type	Bore x Stroke (mm)	Disp. (cc)	Head Type	Valves/Cyl.	Fuel Induction	Weight (lbs)	Notes
	SOHC	80.0 x 66.0	1991	Alum, Cross-flow	2	Unrestricted (2) Automotive type	1900	OEM 2-valve air-cooled heads may be modified to utilize two spark plugs per cylinder. Alt. head: 911-104-302-OR (w/ sealed injector port).
	SOHC	84.0 x 66.0	2195	Alum, Cross-flow	2	Unrestricted (2) Automotive type	1900	OEM 2-valve air-cooled heads may be modified to utilize two spark plugs per cylinder. Alt. head: 911-104-302-OR (w/ sealed injector port).
	SOHC	84.0 x 70.4	2341	Alum, Cross-flow	2	Unrestricted (2) Automotive type	1900	
	SOHC	100.0 x 78.9	2478	Alum, Cross-flow	2	Unrestricted Automotive type	1950	2V only: May use Borg Warner EFR 76/70 44mm TIR or Garrett G30-660 w/44mm TIR @2280 lbs. Alt. 4 valve head #944 104 013 03. NOTE: 4 valve head is not permitted to use with turbo allowance.
	DOHC	85.5 x 72.0	2480	Alum, Cross-flow	4	Unrestricted Automotive type	1950	

	SOHC	104.0 x 78.9	2681	Alum, Cross-flow	2		2020	2V only: May use Borg Warner EFR 76/70 42mm TIR or Garrett G30-660 w/44mm TIR @2330 lbs.
	DOHC	90.0 x 70.4	2687	Alum, Cross-flow	4		2180	
	SOHC	100.0 x 88.0	2766	Alum, Cross-flow	2		2180	
	SOHC	92.0 x 70.4	2808	Alum, Cross-flow	2	Unrestricted (2) Automotive type	1900	
	DOHC	104.0 x 88.0	2981	Alum, Cross-flow	4	Unrestricted automotive type	2040	
	DOHC	105.0 x 94.0	3300	Alum, Cross-flow	4	Unrestricted	2080	
	SOHC	104.0 x 88.0	2992	Alum, Cross-flow	2	Unrestricted (2) Automotive type	2090	2V only: May use Borg Warner EFR 76/70 44mm TIR or Garrett G30-660 w/44mm TIR @2405 lbs.
	DOHC	93.0 x 78.0	3179	Alum, Cross-flow	4	Unrestricted Automotive type	2230	
	SOHC	Unspecified	3200	Alum, Cross-flow	2	Unrestricted (2) Automotive type	2030	
	SOHC	Unspecified	3400	Alum, Cross-flow	2	Unrestricted (2) Automotive type	2086	
	DOHC	100.0 x 76.4	3598	Alum, Cross-flow	4		2280	
	SOHC	Unspecified	3600	Alum, Cross-flow	2		2160	
	SOHC	Unspecified	3600	Alum, Cross-flow	2	Unrestricted automotive type	2140	
	SOHC	Unspecified	3800	Alum, Cross-flow	2		2140	
	SOHC	Unspecified	3800	Alum, Crossflow	2	Unrestricted automotive type	2230	
	DOHC	100.0 x 76.4	3598	Alum, Cross-flow	4	OEM fuel injection w/ stock, unmodified throttle body	996: 2730 997:2775	996 and 997 Porsche Cup cars only.

GCR - 340

GT2 Cars - SUNBEAM

Model	Years	Body Style	Drive-line	Wheel-base (in)	Notes
Tiger	NA	2dr	RWD	86.0	Windshield may be removed and a low front hoop roll cage may be fitted.

Engines - SUNBEAM

Engine Family	Engine Type	Bore x Stroke (mm)	Disp. (cc)	Head Type	Valves/ Cyl.	Fuel Induction	Weight (lbs)	Notes
---------------	-------------	--------------------	------------	-----------	--------------	----------------	--------------	-------

	OHV	96.5 x 72.9	4265	Iron, Cross-flow	2	Ford C30 FAB, C30F-9510E, C40F-9519-1E* *Manifold: Stock Sunbeam Tiger manifold only. Holley P/N 0-80507-1 (390 CFM) on unrestricted manifold. Spacer is unrestricted. The restrictor plate shall be positioned within 4" of the throttle butterflies.	2280	Cylinder Heads: Any Ford 260, 289, or 302 Windsor V-8 cast-iron production cylinder head, delivered on U.S. model cars or trucks, and bearing unmodified factory casting numbers beginning in C, D, E, or F are allowed. Edelbrock "SCCA American Sedan" aluminum heads, part number 602479 are permitted. Competitor shall be able to provide documentation from the manufacturer identifying application(s), displacement, engine family, and casting identification. Ford Motorsport engine blocks P/N M-6010-A50, & M-6010-B50 and M6010-BOSS302 are allowed. Allow roller cam followers. May use optional engine firing order of later versions of SBF family (302) 1,3,7,2,6,5,4,8.
	OHV	101.6 x 72.9	4728	Iron, Cross-flow	2		2280	

GT2 Cars - TOYOTA

Model	Years	Body Style	Drive-line	Wheel-base (in)	Notes
Celica incl. GTS	82-89	2dr	FWD	99.4	
Celica incl. GTS	90-05	2dr	RWD	93.7 / 99.4	RWD only. Hood bulge permitted with no openings for 2000-2005.
MR-2	85-89	2dr	RWD	91.3	No factory rear spoiler/wing. Fuel cell may be relocated to front trunk area. 3S front engine/rear drive conversion @ 1950 lbs.
MR-2	91-95	2dr	RWD	94.5	No factory rear spoiler/wing. Fuel cell may be relocated to front trunk area. 3S front engine/rear drive conversion @ 1950 lbs.
Solara	00-	2dr	FWD	107.1 / 102.4/97.0	
Supra	NA	2dr	RWD	94.5	

Engines - TOYOTA

Engine Family	Engine Type	Bore x Stroke (mm)	Disp. (cc)	Head Type	Valves/ Cyl.	Fuel Induction	Weight (lbs)	Notes
3S	DOHC	86.0 x 86.0	1998	Alum, Cross-flow	4	Automotive type sidedraft	1830	
5S	DOHC	87.0 x 91.0	2164	Alum, Cross-flow	4	Automotive type sidedraft	1830	
2RZ	DOHC	95.0 x 86.0	2438	Alum, Cross-flow	4		2080	
5M	DOHC	83.0 x 85.0	2759	Alum, Cross-flow	2	Unrestricted Automotive type	2040	
1MZ	DOHC	87.5 x 83.0	2995	Alum, Cross-flow	4	6 individual throttle bodies w/ 40mm choke(s)	2140	
2GR	DOHC	94.0 x 86.36	3594	Alum, Cross-flow	4		2280	

GT2 Cars - VOLKSWAGEN

Model	Years	Body Style	Drive-line	Wheel-base (in)	Notes
Corrado	NA	2dr	FWD	97.3	
Golf incl. GTI	NA	2dr	FWD	97.3	

Engines - VOLKSWAGEN

Engine Family	Engine Type	Bore x Stroke (mm)	Disp. (cc)	Head Type	Valves/Cyl.	Fuel Induction	Weight (lbs)	Notes
	DOHC	82.5 x 92.8	1984	Alum, Cross-flow	4	Unrestricted (2) Automotive type	1860	
	DOHC	81.0 x 90.3	2782	Alum, Cross-flow	4	Unrestricted (2) Automotive type	2140	

GT2 TA2 Cars

Cars must comply with Appendix L. (prior generation TA2 rules) or current Trans Am rules at 2930 lbs. Tire make/size are free.

Note: Cars must comply with 2012 STO rules as stated in Appendix K of the GCR. Engine Displacements in this table are nominal. Each competitor shall have available definitive documentation (e.g., factory manual) of the original displacement for the engine used. Slicks allowed on all GT2/ST cars with a 100-pound weight penalty.

GT2/ST	Max. Displacement	Min. Weight	Restrictor	Notes
Acura NSX	3500 w/Turbo	2700	43mm TIR	The following parts are allowed: TURBO:Garrett #GTX4088R or BorgWarner #EFR 8474; Driving Ambition Wide body kit #DA-4000-2; Front Nose #DA-4100; Front Lip with splitter #DA-4110; Front Hood #DA-2010; Left Front Fender #DA-4100LF; Right Front Fender #DA-4100RF; Left lower side skirt #DA-4110L; Right Lower side skirt #DA-4110R; Left Rear Fender #DA-4100LR; Right rear Fender #DA-4100RR; Rear trunk/deck lid #DA-1040; Rear Bumper #DA-1030; APR Rear Wing #GTC-500.
Aston Martin DB9	6000	3300		
Aston Martin GT 4	4700	2900		
Aston Martin Vantage N24 (07-08)	4280	2800		
Aston Martin Vantage	6000	3300		Factory (OEM manufacturer) Lexan front windows allowed as delivered.
Audi R8	5200	3200	40.5mm	Must meet February 2012 Grand Am Specs. The competitor must have the rules in their possession and present them upon request. Factory (OEM manufacturer) Lexan front windows allowed as delivered.
AUDI R8 GT4	5.2L	3000	Per factory specs.	Must have GT4 rules in possession at all race events.
Audi TTRs (10-14)		3000	39mm	
BMW E46 M3 & E36 / BMW Z3 / BMW 5000cc V8	3200	2500		<p>The 3.4 liter 6 cyl. (87.0 bore x 93.0 stroke) is permitted at 2575lbs. 4.0L V8 permitted at 2900lbs. 4.5L V8 permitted at 2950lbs. 5.0L V8 permitted at 3000lbs. Flossman body kit permitted as found at http://www.racingpartsbmw.de/start/eng/start.htm. Trans Am SGT spec: Regular shifter 3000 lbs., paddle shifter plus 150 lbs. 95mm S54 crankshaft @ + 150lbs. Lang Racing part# S54-95mm-Stroker-Crk. Lang Racing E46 carbon roof part number E46-2DR-CFROOF</p> <p>2M Automotive E46 coupe SKU: 2ME46CR1x1 (coupe 1x1 weave) E46 coupe SKU: 2ME46CR2x2 (coupe 2x2 weave) E46 sedan SKU: 2ME46SR1x1 (sedan 1x1 weave) E46 sedan SKU: 2ME46SR2x2 (sedan 2x2 weave) E36 coupe SKU: 2ME36CR1x1 (coupe 1x1 weave) E36 coupe SKU: 2ME36CR2x2 (coupe 2x2 weave)</p> <p>Flossmann, the maker of the approved GT2-ST body kit makes carbon doors for the E46 model E46:https://www.flossmann-motorsport.com/en/3-series/e46-gtr/</p> <p><i>In the US. MA Shaw a company that also builds BMW body kits has both E36 and E46 carbon/composite door offerings E36/46: https://www.mashaw.com/html/product_info_BMW.html.</i></p> <ul style="list-style-type: none"> -BMW E-36 PTG style wide body kit -M-3 front bumper with splitter -Front fenders -Side rockers -Rear flairs -Rear bumper

GCR - 343

9.1.2. GT2/ST Spec Lines

Note: Cars must comply with 2012 STO rules as stated in Appendix K of the GCR. Engine Displacements in this table are nominal. Each competitor shall have available definitive documentation (e.g., factory manual) of the original displacement for the engine used. Slicks allowed on all GT2/ST cars with a 100-pound weight penalty.

9.1.2. GT2/ST Spec Lines

GT2/ST	Max. Displacement	Min. Weight	Restrictor	Notes
Chevrolet Corvette (-2013)	5733	2950		GM V-8 engines with OEM specs 4.00" bore x 3.48" stroke; e.g., LT1, LT4, L98, etc
	6178	3150		GM LT1/LT4/L98 (only), with alternate 3.75" stroke crankshaft. Max stroke 3.75", max bore 4.04".
	5665	3000	78mm flat plate	GM LS1, LS6. LS1/LS6 C6 Corvettes using the OEM C6 intake manifold and 90 mm throttle body must use a 78mm flat plate restrictor. OEM 75mm throttle body and manifold do not require a restrictor. LS6 may reduce weight by 50 lbs. LS1/LS6 alternate intake manifold, DORMAN part # 615-900.
	LS2 5967	3000	78mm flat plate	GM LS2. May use the LSX cast iron block with OEM LS2 bore and stroke..
	L76 5967	3000	77mm flat plate	GM L76. May use the LSX cast iron block with OEM LS2 bore and stroke
	6162	3000	77mm flat plate	Stock OEM LS3. Maximum camshaft lift: intake 8.24 mm, exhaust 7.85mm the LS376/430 (STK Cam) is the only legal cam.; rocker arm ratio 1.70:1; maximum compression ratio 10.7:1; cylinder heads must be as delivered from the factory.
	6162	3250	74mm flat plate	GM LS3
	6162	3250	71mm flat plate	GM LT1
	7011	3250	68mm flat plate	GM LS7
	7011 OEM	3275		Stock OEM LS7. OEM valve lift and compression. Cylinder heads must be as delivered from the factory. Must present factory shop manual upon request.
<p>The top 12 inches of the firewall must be covered with metal or reflective heat shielding material. The OE firewall may also be replaced with a metal panel running between the A-pillars. For Chevrolet Corvette Z06, carbon fiber lip, APR performance part number FA-208026 is permitted. World Challenge body work for C6 Corvette Advanced Composite Products: Deck lid (p/n:C6/A0028), door (RH) (p/n:C6/A0030), door (LH) (p/n:C6/A0031), front fascia (p/n:C6/A0001), rear fascia (p/n:C6/A0011), rear fender (LH)(p/n:C6/A0009), rear fender (RH)(p/n:C6/A0010), front fender (LH)(p/n:C6/A00-L), front fender (RH)(p/n:C6/A00-R), left front mounting rail (p/n:C5A0015-L), right front mounting rail (p/n:C5A0015-R), headlight mounting panel (LH)(p/n:C6/A0018-L), headlight mounting panel (RH)(p/n:C6/A0018-R), headlight cover (RH)(p/n:C6/A0040-WC), headlight cover (LH)(p/n:C6/A0041-WC), hood (p/n:C6/A0021), instrument panel (p/n:C6/A0032), roof (p/n:C6/A0027), rocker (LH)(p/n:C6/A0005), rocker (RH)(p/n:C6/A0006), rear spoiler (C6/A00013), front under tray (p/n:C6/A0022), rear wing (p/n:C6R-1272; 72.25 inches wide including endplates/fasteners) may be used. Note: the max width of the front fascia and splitter is 1930mm (76") edge-to-edge as measured across the bottom of the splitter. LG Motorsports World Challenge Carbon Hood #1958 may be used. Deck lid (p/n:C5/A0028), door (RH) (p/n:C5/A0030), door (LH) (p/n:C5/A0031), front fascia (p/n:C5/A0001 or C5A/0002), rear fascia (p/n:C5/A0011), rear fender (LH)(p/n:C5/A0009), rear fender (RH)(p/n:C5/ A0010), front fender (LH)(p/n:C5/A0048-L), front fender (RH)(p/n:C5/A0048-R), left front mounting rail (p/n:C5A0015LT), right front mounting rail (p/n: C5A0015RT), headlight mounting panel (LH)(p/n:C5A0018-L), headlight mounting panel (RH)(p/n:C5/A0018-R), hood (p/n:C5/A0029), instrument panel (p/n:C5/A0032), roof (p/n:C5/A0027), rocker (LH) (p/n:C5/A0005), rocker (RH)(p/n:C5/A0006), rear spoiler (C5/A00013), front under tray (p/n:C5/A0022), rear wing (p/n:C5/A0012-CF-72") may be used. Black Dog W/C carbon fiber nose for Corvettes part#BDWC-FFSCX-CKP-P. Must be an exact OEM duplicate part.</p>				

GCR - 344

Note: Cars must comply with 2012 STO rules as stated in Appendix K of the GCR. Engine Displacements in this table are nominal. Each competitor shall have available definitive documentation (e.g., factory manual) of the original displacement for the engine used. Slicks allowed on all GT2/ST cars with a 100-pound weight penalty.

GT2/ST	Max. Displacement	Min. Weight	Restrictor	Notes
BMW M3 E92 (08-13)	3999	2900		Flossman body kit is permitted as found here: http://www.racingparts-bmw.de/start/eng/start.htm.. Part #FD-WBE92GT3KIT, rear diffuser is not allowed.
	S65 - 4400	2950		
	S65 - 4600	3000		
Chevrolet Corvette (14-19)	5733	2950		GM V-8 engines with OEM specs 4.00" bore x 3.48" stroke; e.g., LT1, LT4, L98, etc
	6178	3150		GM LT1/LT4/L98 (only), with alternate 3.75" stroke crankshaft. Max stroke 3.75", max bore 4.04".
	5665	3000	78mm flat plate	GM LS1, LS6. LS1/LS6 C6 Corvettes using the OEM C6 intake manifold and 90 mm throttle body must use a 78mm flat plate restrictor. OEM 75mm throttle body and manifold do not require a restrictor. LS6 may reduce weight by 50 lbs. LS1/LS6 alternate intake manifold, DORMAN part # 615-900.
	LS2 5967	3100	78mm flat plate	GM LS2. May use the LSX cast iron block with OEM LS2 bore and stroke.
	L76 5967	3100	73mm flat plate	GM L76. May use the LSX cast iron block with OEM LS2 bore and stroke.
	6162	3100	77mm flat plate	Stock OEM LS3. Maximum camshaft lift: intake 8.24 mm, exhaust 7.85mm the LS376/430 (STK Cam) is the only legal cam.; rocker arm ratio 1.70:1; maximum compression ratio 10.7:1; cylinder heads must be as delivered from the factory.
	6162	3300	74mm flat plate	GM LS3
	6162	3300	71mm flat plate	GM LT1
	7011	3300	68mm flat plate	GM LS7
	7011 OEM	3325		Stock OEM LS7. OEM valve lift and compression. Cylinder heads must be as delivered from the factory. Must present factory shop manual upon request.
<p>The top 12 inches of the firewall must be covered with metal or reflective heat shielding material. The OE firewall may also be replaced with a metal panel running between the A-pillars. For Chevrolet Corvette Z06, carbon fiber lip, APR performance part number FA-208026 is permitted. World Challenge body work for C6 Corvette Advanced Composite Products: Deck lid (p/n:C6/A0028), door (RH) (p/n:C6/A0030), door (LH) (p/n:C6/A0031), front fascia (p/n:C6/A0001), rear fascia (p/n:C6/A0011), rear fender (LH)(p/n:C6/A0009), rear fender (RH)(p/n:C6/A0010), front fender (LH)(p/n:C6/A00-L), front fender (RH)(p/n:C6/A00-R), left front mounting rail (p/n:C5A0015-L), right front mounting rail (p/n:C5A0015-R), headlight mounting panel (LH)(p/n:C6/A0018-L), headlight mounting panel (RH)(p/n:C6/A0018-R), headlight cover (RH)(p/n:C6/A0040-WC), headlight cover (LH)(p/n:C6/A0041-WC), hood (p/n:C6/A0021), instrument panel (p/n:C6/A0032), roof (p/n:C6/A0027), rocker (LH)(p/n:C6/A0005), rocker (RH)(p/n:C6/A0006), rear spoiler (C6/A00013), front under tray (p/n:C6/A0022), rear wing (p/n:C6R-1272; 72.25 inches wide including endplates/fasteners) may be used. Note: the max width of the front fascia and splitter is 1930mm (76") edge-to-edge as measured across the bottom of the splitter. LG Motorsports World Challenge Carbon Hood #1958 may be used. Deck lid (p/n:C5/A0028), door (RH) (p/n:C5/A0030), door (LH) (p/n:C5/A0031), front fascia (p/n:C5/A0001 or C5A/0002), rear fascia (p/n:C5/A0011), rear fender (LH)(p/n:C5/A0009), rear fender (RH)(p/n:C5/ A0010), front fender (LH)(p/n:C5/A0048-L), front fender (RH)(p/n:C5/A0048-R), left front mounting rail (p/n:C5A0015LT), right front mounting rail (p/n: C5A0015RT), headlight mounting panel (LH)(p/n:C5A0018-L), headlight mounting panel (RH)(p/n:C5/A0018-R), hood (p/n:C5/A0029), instrument panel (p/n:C5/A0032), roof (p/n:C5/A0027), rocker (LH) (p/n:C5/A0005), rocker (RH)(p/n:C5/A0006), rear spoiler (C5/A00013), front under tray (p/n:C5/A0022), rear wing (p/n:C5/A0012-CF-72") may be used. Black Dog W/C carbon fiber nose for Corvettes part#BDWC-FFSCX-CKP-P. Must be an exact OEM duplicate part.</p>				

GCR - 345

9.1.2. GT2/ST Spec Lines

Note: Cars must comply with 2012 STO rules as stated in Appendix K of the GCR. Engine Displacements in this table are nominal. Each competitor shall have available definitive documentation (e.g., factory manual) of the original displacement for the engine used. Slicks allowed on all GT2/ST cars with a 100-pound weight penalty.				
GT2/ST	Max. Displacement	Min. Weight	Restrictor	Notes
Cadillac CTS/CTS-V Chevrolet Camaro Pontiac Fiero Pontiac Firebird Pontiac GTO Pontiac Solstice	5733	2950		GM V-8 engines with OEM specs 4.00" bore x 3.48" stroke; e.g., LT1, LT4, L98, etc
	6178	3150		GM LT1/LT4/L98 (only), with alternate 3.75" stroke crankshaft. Max stroke 3.75", max bore 4.04".
	5665	2950		GM LS1, LS6
	5967	3240		GM LS2/L76. May use the LSX cast iron block with OEM LS2 bore and stroke.
	6162	3110		Stock OEM LS3. Maximum camshaft lift: intake 8.24 mm, exhaust 7.77mm; rocker arm ratio 1.70:1; maximum compression ratio 10.7:1; cylinder heads must be as delivered from the factory.
	6162	3350		GM LS3
	7011	3300	78mm flat plate or 45mm SIR	GM LS7
	7011	3500	83mm flat plate	GM LS7
	Chassis-specific notes: Camaro/Firebird: Aftermarket K members are permitted. Pontiac Solstice: May use hardtop GM PCS-0664 or equivalent aftermarket. May compete with stock fuel tank.			
Dodge Viper, incl Comp Coupe, ACR/ ACR-X	7990	3125		
	8000	3125		
	8300 OEM	3125		Stock OEM engine. Engine long block, valve train, and intake system must meet stock, shop manual specifications. Hybrid update including Mopar Performance Part #P5156137 and 8.4L mechanical throttle body allowed.
	8300	3125 VRL Front Fascia -100lbs	(2) 55mm flat plates	Hybrid update including Mopar Performance Part # P5156137 and 8.4L mechanical throttle body allowed using (2) 50 mm flat plate restrictors.
	8400	3125	(2) 50mm flat plates	Intake and Throttle Body from Mopar Performance Part # P5156137 allowed using (2) 45mm flat plate restrictors.
	8400 OEM	3225		Stock OEM engine. Engine long block, valve train, and intake system must meet stock, shop manual specifications. 19 inch Dodge Viper ACR-X wheels as delivered from the factory are permitted.
	Chassis-specific Notes: OEM fuel tank may be used. OEM Rear Spoiler may be used in its original configuration.			
Ferrari 360	3600	2780		
Ferrari 430 Challenge	4310	2950		Must be prepared to the 2006 Ferrari Challenge engine and transmission specifications; The competitor must have the rules in their possession and present them upon request; DOT tires per 9.1.4.P.1; weight as specified; side windows must be removed; OEM carbon brakes or the Ferrari steel brakes from the 360 Challenge car (F 355 x 32 vented disc, R 330 x 18 vented disc) are permitted; If 18 inch "360" brakes are used, 18 inch wheels are permitted; 19 inch Ferrari Challenge wheels as delivered from factory permitted. Factory (OEM manufacturer) Lexan front windows allowed as delivered.

Note: Cars must comply with 2012 STO rules as stated in Appendix K of the GCR. Engine Displacements in this table are nominal. Each competitor shall have available definitive documentation (e.g., factory manual) of the original displacement for the engine used. Slicks allowed on all GT2/ST cars with a 100-pound weight penalty.

GT2/ST	Max. Displacement	Min. Weight	Restrictor	Notes
Ford Mustang (2005-)	3500	3200	41mm TIR	Eco Boost option as delivered from the factory, including turbo and ECU. Dry Sump allowed.
Ford Mustang/ Thunderbird	4600	2380		Aftermarket K members are permitted. OEM independent rear suspension is permitted. Mustang only: Allow lightweight Carbon Fiber fenders, fascias, doors, and roof panels so as to help this car to meet minimum weight. Parts must meet original profile of OEM components. Part numbers to be provided.
Ford V6	4000	2800		Rotrex C38-81 supercharger permitted.
Ford 5.0L "Cammer" engine	5000	3000		"Boss" intake manifold permitted.
Ford 5.0L "Coyote" engine	5000	3000		"Boss" intake manifold permitted. Ford Coyote 3rd Gen OEM (2018-2019) Part #M-6007-M-50C @3200lbs.
Ford Mustang Challenge	4600	3300		Must be prepared to World Challenge GTS rules dated 11/16/2011. Competitor must have Ford factory FR500S specifications in their possession. Allow lightweight Carbon Fiber fenders, fascias, doors, and roof panels so as to help this car to meet minimum weight. Parts must meet original profile of OEM components. Part numbers to be provided.
Ford Mustang/ Thunderbird (pushrod)	5000	2550		Aftermarket K members are permitted. OEM independent rear suspension is permitted. Mustang only: Allow lightweight Carbon Fiber fenders, fascias, doors, and roof panels so as to help this car to meet minimum weight. Parts must meet original profile of OEM components. Part numbers to be provided.
Ford Mustang/ Thunderbird (Boss 302)	5000	3100		Allow Laguna Seca intake manifold and throttle body. OEM independent rear suspension is permitted. Mustang only: Allow lightweight Carbon Fiber fenders, fascias, doors, and roof panels so as to help this car to meet minimum weight. Parts must meet original profile of OEM components. Part numbers to be provided. Firing Order is Unrestricted" for this engine.
Ford Mustang (2005-)	5200	3300	Single 82mm Throttle Body	Mustang only: Allow lightweight Carbon Fiber fenders, fascias, doors, and roof panels so as to help this car to meet minimum weight. Parts must meet original profile of OEM components. Part numbers to be provided.
Ford Mustang (2005-)	5200	3400	2 X 41mm Flat Plate Restrictor	Ford Racing 5.2l "Aluminator" crate engine part #M-6007-A52XS.
Ford Mustang/ Thunderbird	5400	2790		Aftermarket K members are permitted. OEM independent rear suspension is permitted. Mustang only: Allow lightweight Carbon Fiber fenders, fascias, doors, and roof panels so as to help this car to meet minimum weight. Parts must meet original profile of OEM components. Part numbers to be provided.
Ford Mustang/ Thunderbird	5800	3000		Aftermarket K members are permitted. OEM independent rear suspension is permitted. Mustang only: Allow lightweight Carbon Fiber fenders, fascias, doors, and roof panels so as to help this car to meet minimum weight. Parts must meet original profile of OEM components. Part numbers to be provided.

GCR - 347

9.1.2. GT2/ST Spec Lines

Note: Cars must comply with 2012 STO rules as stated in Appendix K of the GCR. Engine Displacements in this table are nominal. Each competitor shall have available definitive documentation (e.g., factory manual) of the original displacement for the engine used. Slicks allowed on all GT2/ST cars with a 100-pound weight penalty.

GT2/ST	Max. Displacement	Min. Weight	Restrictor	Notes
Ford Mustang (05-09)	5687	3250		Aftermarket K members are permitted. Allow Ford racing crate engine DS 347 SR w/650 CFM Holley Carb. Competitor must have "Proper Engine Spec" documentation in possession. All other ST rules apply. Allow lightweight Carbon Fiber fenders, fascias, doors, and roof panels so as to help this car to meet minimum weight. Parts must meet original profile of OEM components. Part numbers to be provided.
Ford Mustang FP350S (2018-)	5200	3400		Spec car, max prep must be as delivered. Allow lightweight Carbon Fiber fenders, fascias, doors, and roof panels so as to help this car to meet minimum weight. Parts must meet original profile of OEM components. Part numbers to be provided. Springs and shocks are free. Fuel cell allowed. Alternate drive shaft permitted. Wheels are free. Header and exhaust permitted. Alternate rotor and hat permitted 380 mm max. Alternate shifter permitted. Lexan windows permitted.
Ginetta G55	3700	2650		Must comply with FIA-GT4 specs. Factory (OEM manufacturer) Lexan front windows allowed as delivered.
GRULLON GT	2.0L 2003-2006 Acura K20	2350	Unrestricted	Must comply with factory specifications, must have factory spec manual in possession at each event.
Lotus Evora GT4	4000	2750		
Maserati GT4	4700	3300	65mm	Must comply with WC rules. Factory (OEM manufacturer) Lexan front windows allowed as delivered.
Maserati Trofeo Light	4244	2900		Factory (OEM manufacturer) Lexan front windows allowed as delivered.
Nissan GT-R (2009-)	3799	3500	2 x 32mm TIR	OEM twin turbochargers required.
Panoz Esperante GTS	5800	3000		
Pontiac GTO World Challenge (04-06)	6062	3000		Must be prepared to World Challenge Pontiac GTO rules. Competitor must have build rules in their possession.
Porsche Cayman (05-15)	3600	2800		2950 lbs w/3.8L motor built to STO spec. 2850 lbs w/X51 spec motor as delivered as a sealed motor. 4.0L 75mm Throttle Body Restrictor (TBR) @ 2700lbs. No variable valve timing and no direct injection. 4.2 70mm Throttle Body Restrictor (TBR) 2700 lbs.
Porsche Cayman GT4 Clubsport	3800	2950		Cars must comply to 2017 GT4 specs.
Porsche 944/924	2500	2700		May use ERC 76/70 Turbo.
Porsche 996	3600	2808		
Saleen SR	5800	3190		
Toyota Supra (93-98)	2997	2950	2 x 29mm TIR	OEM twin turbochargers required.

GCR - 348

9.1.2. GT2/ST Spec Lines

Note: Cars must comply with 2012 STO rules as stated in Appendix K of the GCR. Engine Displacements in this table are nominal. Each competitor shall have available definitive documentation (e.g., factory manual) of the original displacement for the engine used. Slicks allowed on all GT2/ST cars with a 100-pound weight penalty.

GT2/ST	Max. Displacement	Min. Weight	Restrictor	Notes
Toyota Supra (93-98)	4300	2900		Max. valve lift is .600". Max. compression ratio of 12.1:1. Must conform to Appendix K STO rules. The following parts are approved: Front Bumper - RDT0-001; Side Skirt - RDT0-002; Front Fenders - RDT0-006; Front Splitter - RDT0-007; Rear Fenders - RDT0-009; Front Fender Panel - RDT0-013. Toyota OEM intake manifold part #00647-17101-001 permitted.
Toyota Supra w/ 3SGTE engine	2000	2900	43mm TIR	
Toyota Supra GT4	3000	3000	Per factory Spec.	Must have GT4 rules in possession at all race events.

GT3 Cars**ACURA**

Model	Years	Body Style	Drive-line	Wheel-base (in)	Notes
Integra	-93	2dr	FWD	96.5	
Integra	-94	2dr	FWD	101.2	
RSX	02/05/09	2dr	FWD	96.5/101.2	Stock fuel tank allowed.

Engines - ACURA

Engine Family	Engine Type	Bore (mm)	Stroke (mm)	Disp. (cc)	Head Type	Valves / Cyl.	Fuel Induction	Weight (lbs)	Notes
D16A	SOHC	75	90	1590	Alum, Crossflow	4	Unrestricted	1690	
B16A	DOHC	81	77.4	1595	Alum, Crossflow	4	Unrestricted	1690	
B18C	DOHC	81	87.2	1797	Alum, Crossflow	4	Unrestricted	1860	
B18B	DOHC	81	89	1834	Alum, Crossflow	4	Unrestricted	1860	
F20C	DOHC	87	84	1997	Alum, Crossflow	4	32mm SIR	2060	May run unrestricted at 2195 lbs.
K20A	DOHC	86	86	1998	Alum, Crossflow	4	32mm SIR	2060	May run unrestricted at 2195 lbs.
K24	DOHC	87	99	2354	Alum, Crossflow	4	32mm SIR	2195	

GT3 Cars - ALFA ROMEO

Model	Years	Body Style	Drive-line	Wheel-base (in)	Notes
GTV 1750 / 2000	NA	2dr	RWD	92.5	
Sport Sedan	NA	2dr	RWD	98.8	
4C	NA	2dr	RWD	93.7	Tube frame only. No ABS or Traction Control.

Engines - ALFA ROMEO

Engine Family	Engine Type	Bore (mm)	Stroke (mm)	Disp. (cc)	Head Type	Valves / Cyl.	Fuel Induction	Weight (lbs)	Notes
	DOHC	80	88.5	1779	Alum, Crossflow	2	Unrestricted	1860	Alt. Heads: 19510-01053-04, 60541066, 60567584 (all twin plug) w/ 100 lb. penalty
	DOHC	84	88.5	1962	Alum, Crossflow	2	Unrestricted	1960	Alt. Heads: 19510-01053-04, 60541066, 60567584 (all twin plug) w/ 100 lb. penalty
	DOHC	83	80.5	1742	Alum. Cross flow	4	33 mm TIR	2325	

GT3 Cars - AMC

Model	Years	Body Style	Drive-line	Wheel-base (in)	Notes
Gremlin	-78	2dr	RWD	96	33mm SIR at 2270 lbs.
Spirit	-79	2dr	RWD	96	33mm SIR at 2400 lbs.

Engines - AMC

Engine Family	Engine Type	Bore (mm)	Stroke (mm)	Disp. (cc)	Head Type	Valves / Cyl.	Fuel Induction	Weight (lbs)	Notes
	OHV	95.3	88.8	2537	Iron Crossflow	2	Holley 5210/2V	2455	
	OHV	95.3	88.9	3805	Iron Crossflow	2	Carter YF-1V, Holley 500 CFM 2bbl	2680	

GT3 Cars - AUDI

Model	Years	Body Style	Drive-line	Wheel-base (in)	Notes
TT Coupe	NA	2dr	FWD	95.6 / 97.3	

Engines - AUDI

Engine Family	Engine Type	Bore (mm)	Stroke (mm)	Disp. (cc)	Head Type	Valves / Cyl.	Fuel Induction	Weight (lbs)	Notes
	SOHC	82.5	92.8	1984	Alum, Crossflow	2	Unrestricted	1960	Alt. Eurospec Sports cyl. head may be used.
	DOHC	82.5	92.8	1984	Alum, Crossflow	4	32mm SIR	2060	May run unrestricted at 2195 lbs.

GT3 Cars - BMW

Model	Years	Body Style	Drive-line	Wheel-base (in)	Notes
2002 / 2002ti/tii	NA	2dr	RWD	100.5/98.5	
318 Coupe (E36)	-92	2dr	RWD	106	
318i (E30)	83-91	4dr	RWD	101.2	
318i / 320i (E21)	77-82	4dr	RWD	100.9	
E46	0	2, 4dr	RWD	106.0 / 101.2 / 100.9	
Z3	NA	2dr	RWD	96.3	

Engines - BMW

Engine Family	Engine Type	Bore (mm)	Stroke (mm)	Disp. (cc)	Head Type	Valves / Cyl.	Fuel Induction	Weight (lbs)	Notes
	SOHC	89	71	1767	Alum, Crossflow	2	Unrestricted	1860	
	DOHC	84	81	1796	Alum, Crossflow	4	Unrestricted	1860	
	DOHC	85	83.5	1895	Alum, Crossflow	4	32mm SIR	2060	May run unrestricted at 2195 lbs.
	SOHC	89	80	1991	Alum, Crossflow	2	Unrestricted	1960	
	DOHC	93	84	2302	Alum, Crossflow	4	32mm SIR	2195	

GT3 Cars - CHEVROLET

Model	Years	Body Style	Drive-line	Wheel-base (in)	Notes
Cavalier Z-24	NA	2dr/4dr	FWD	101.2	
Corvair Coupe / Yenko Stinger	NA	2dr	RWD	108	Corvair coupes may be modified to Yenko configuration. Non-tube frame track 59.7 (F), 62.9 (R). Rear wheel width: 8". Engine may be centered (side to side) to allow installation of alternate transaxle.
Vega	NA	2dr	RWD	97	

Engines - CHEVROLET

Engine Family	Engine Type	Bore (mm)	Stroke (mm)	Disp. (cc)	Head Type	Valves / Cyl.	Fuel Induction	Weight (lbs)	Notes
	SOHC	86	86	1998	Alum, Crossflow	2	Unrestricted	1960	
	DOHC	88.9	80.3	1998	Alum, Crossflow	4	32mm SIR	2060	May run unrestricted at 2195 lbs.
	SOHC	88.9	92.1	2287	Iron, Non-Crossflow	2	Unrestricted	2060	
	OHV	87.4	74.7	2689	Alum, Crossflow	2	(2) Weber 40 IDT or IDA w/ 36mm choke(s) or (4) Rochester 7025023 & 7026026 1.5" 1 bbl carbs	2290	

GT3 Cars - CHRYSLER/DODGE/PLYMOUTH

Model	Years	Body Style	Drive-line	Wheel-base (in)	Notes
Neon	NA	2dr, 4dr	FWD	104	
Daytona / Laser	84-88	2dr	FWD	97	

Daytona / Laser	-89	2dr	FWD	97.3	
Horizon	NA	2dr	FWD	96.7	
Omni 024 / Shelby Charger	79-82	2dr	FWD	96.6	
Shadow	NA	2dr	FWD	97	

Engines - CHRYSLER/DODGE/PLYMOUTH

Engine Family	Engine Type	Bore (mm)	Stroke (mm)	Disp. (cc)	Head Type	Valves / Cyl.	Fuel Induction	Weight (lbs)	Notes
	SOHC	85	88	1997	Alum, Crossflow	2	Unrestricted	1960	
	DOHC	85	88	1997	Alum, Crossflow	4	32mm SIR	2060	May run unrestricted at 2195 lbs.
	SOHC	87.5	92	2213	Alum, Non-Crossflow	2	Unrestricted	2060	

GT3 Cars - FIAT

Model	Years	Body Style	Drive-line	Wheel-base (in)	Notes
131 Coupe & Sedan, Brava	NA	2dr, 4dr	RWD	98	
124 Spider Pininfarina	66-85	2 Dr.	RWD	89.75	
Fiat Spider 2000	79-81		RWD	89.76	
Fiat X-19	72-89	2 Dr.	Rear Engine	86.7	

Engines - FIAT

Engine Family	Engine Type	Bore (mm)	Stroke (mm)	Disp. (cc)	Head Type	Valves / Cyl.	Fuel Induction	Weight (lbs)	Notes
	DOHC	84.1	89.9	1995	Alum, Crossflow	2	Unrestricted	1960	

GT3 Cars - FORD

Model	Years	Body Style	Drive-line	Wheel-base (in)	Notes
Capri	NA	2dr	RWD	100.8	
Cortina GT	64-68	2dr.	RWD	98.0	
Mustang II	74-78	2dr	RWD	96.2	
Mustang	79-93	2dr	RWD	100.4	
Mustang	94-98	2dr	RWD	101.2	

Mustang	10-11	2dr	RWD	101.0/107.1	
Pinto	NA	2dr	RWD	94	Non-tube frame track: 60.52 (F&R). Spoiler: #D9FZ-6440555-A, End Pieces: D9FZ-6428010-A and D9FZ-6428011-A.
Probe	NA	2dr	FWD	99.0/102.9	

Engines - FORD

Engine Family	Engine Type	Bore (mm)	Stroke (mm)	Disp. (cc)	Head Type	Valves / Cyl.	Fuel Induction	Weight (lbs)	Notes
	SOHC	91	77	1993	Iron, Crossflow	2	Unrestricted	1960	
	SOHC	86	86	1998	Alum, Crossflow	2	Unrestricted	1960	
	SOHC	86	94	2189	Alum, Crossflow	3	31mm SIR	2130	
Duratech	DOHC	87.5	94	2260	Alum, Crossflow	4	32mm SIR	2195	
	SOHC	96	79.4	2301	Iron, Crossflow	2	Unrestricted	2130	Alt. Head: SVO #M-6049-A230

GT3 Cars - GINETTA

Model	Years	Body Style	Drive-line	Wheel-base (in)	Notes
G40	2010-	2 Door Coupe	RWD	88.6	Must comply with all GT3 rules except as noted on spec line. May use FIA roll cage. Must have complete build specs in possession at all race events.

Engines - GINETTA (Ford/Mazda)

Engine Family	Engine Type	Bore (mm)	Stroke (mm)	Disp. (cc)	Head Type	Valves / Cyl.	Fuel Induction	Weight (lbs)	Notes
Ginetta/Mazda MZR		87.38 x 83.06		87.38 x 83.06	Crossflow	4V 4	32mm SIR	2060 + 52 lbs for IRS. + 26 lbs. for sequential.	May run unrestricted at 2195 lbs 5 Speed only
Ginetta/Ford Duratec or Mazda MZR		87.5 x 94.0		87.5 x 94.0	Crossflow	4V 4	32mm SIR	2195 = 55 lbs. for IRS. + 27 lbs. for Sequential	5 Speed only

GT3 Cars - HONDA

Model	Years	Body Style	Drive-line	Wheel-base (in)	Notes
Civic	84-87	3dr	FWD	86.6	Hood bulge allowed, no openings.
Civic	88-91	3dr	FWD	90.6	Hood bulge allowed, no openings.

Civic Coupe	92-95	2dr	FWD	98.4	
Civic Coupe	2017-	2dr	FWD	106.3	
Civic Si	06-10	2dr/4dr	FWD	2dr: 104.3 4dr: 106.3	Hood bulge allowed, no openings.
CRX	84-87	3dr	FWD	86.6	Hood bulge allowed, no openings.
CRX	88-91	3dr	FWD	90.6	Hood bulge allowed, no openings.
CRZ	10-14	3dr	FWD	95.9	
Insight	00-06	2dr	FWD	94.5	
Prelude	92-97	2dr	FWD	104	
S2000	00-09	2dr	RWD	94.5	

Engines - HONDA

Engine Family	Engine Type	Bore (mm)	Stroke (mm)	Disp. (cc)	Head Type	Valves / Cyl.	Fuel Induction	Weight (lbs)	Notes
EW	SOHC	74	86.5	1488	Alum, Crossflow	3	Unrestricted	1690	Alt. heads: #12100-PE3-000 or #12100-PE7-000.
D15B	SOHC	75	84.5	1493	Alum, Crossflow	4	Unrestricted	1690	
D16A	SOHC	75	90	1590	Alum, Crossflow	4	Unrestricted	1690	
B16A	DOHC	81	77.4	1595	Alum, Crossflow	4	Unrestricted	1690	
B18C	DOHC	81	87.2	1797	Alum, Crossflow	4	Unrestricted	1860	
B18B	DOHC	81	89	1834	Alum, Crossflow	4	Unrestricted	1860	
F20C	DOHC	87	84	1997	Alum, Crossflow	4	32mm SIR	2060	K24 crankshaft allowed with a 31mm SIR at 2195 lbs. May run unrestricted at 2195 lbs.
K20A	DOHC	86	86	1998	Alum, Crossflow	4	32mm SIR	2060	May run unrestricted at 2195 lbs.
K20C1	DOHC	86	86	1928	Alum. Cross flow	4	33 mm TIR	2350	
K24	DOHC	87	99	2354	Alum, Crossflow	4	32mm SIR	2195	

GT3 Cars - MAZDA

Model	Years	Body Style	Drive-line	Wheel-base (in)	Notes
323	85-89	3dr	FWD	94.5	
626	83-87	4dr	FWD	98.8	
MX-3	NA	2dr	FWD	96.3	
MX-5 / Miata	-05	2dr	RWD	89.2 / 91.0	
MX-5	06-10	2dr	RWD	91.7	

GCR - 355

9.1.2. GT3 Spec Lines

MX-5 Miata	2016-	2dr	RWD	91.0	
MX-5 Miata RF	2017-	2dr	RWD	91.0	
MX-6	-88	2dr	FWD	99.0/102.8	
RX-2	NA	2dr	RWD	97.3	
RX-3	NA	2dr	RWD	91	
RX-7	NA	2dr	RWD	95.3 / 95.5 / 95.7	Non-tube frame track: 63.2 (F), 62.8 (R).
RX-7	NA	2dr	RWD	95.2 / 95.5 / 95.7	Must run GT3 spec engine with 150 lb. disenfranchised GT2 weight penalty.
RX-8	NA	2dr	RWD	98	
Protégé	NA	4dr	FWD	98.4	

Engines - MAZDA

Engine Family	Engine Type	Bore (mm)	Stroke (mm)	Disp. (cc)	Head Type	Valves / Cyl.	Fuel Induction	Weight (lbs)	Notes
B6D	DOHC	78	83.6	1597	Alum, Crossflow	4	Unrestricted	1690	
BP	DOHC	83	85	1839	Alum, Crossflow	4	Unrestricted	1860	
	SOHC	86	86	1998	Alum, Crossflow	2	Unrestricted	1960	
MZR	DOHC	87.38	83.06	1999	Alum, Crossflow	4	32mm SIR	2060	May run unrestricted at 2195 lbs.
MZR	DOHC	87.38	83.06	1999cc	Crossflow	4	Unrestricted	2195	
	SOHC	86	94	2189	Alum, Crossflow	2	Unrestricted	2060	
MZR	DOHC	87.5	94	2260	Alum, Crossflow	4	32mm SIR	2195	Hood bulge allowed w/ no openings.
MZR/L5-VE	DOHC	89.0	100.0	2488	Alum, Crossflow	4	32mm SIR	2195	Direct injection not permitted. Allow 2.3L 94.0 mm stroke crankshaft with displacement of 2339cc.
Mazda BP4W Turbocharged OEM engine	DOHC	83.0	85.0	1839	Alum. Crossflow	4	Turbocharged w/34mm TIR	2060	Must use OE Turbocharger IHI RHF5 VJ35. Open ECU.
12A	Street Port			2292			Unrestricted	1960	Contact National Office for specific details of various allowable port configurations.
12A	Bridge Port			2292			(1) auto-type 2bbl w/ 40mm choke(s).	1960	Optional choke size 42mm @2010lbs.
12A	Peripheral Port			2292			37mm SIR	2150	
12A	Peripheral Port			2292			37mm SIR	2300	Disenfranchised GT2*
13B	Streetport			2616			Unrestricted	2080	

13B	Bridgeport	2616				(1) Auto-Type 2 bbl. w/42mm choke(s)	2200	
13B	Peripheral Port	2616				37mm SIR	2200	
Renesis	Street Port	2616				Unrestricted	2130	
Renesis	Bridgeport	2616				(1) Auto-Type 2 bbl. w/42mm choke(s)	2250	
Renesis	Peripheral Port	2616				37mm SIR	2250	
13B	Bridgeport	2616				(1) Auto-Type 2 bbl. w/42mm choke(s)	2350	Disenfranchised GT2*
13B	Peripheral Port	2616				37mm SIR	2350	Disenfranchised GT2*

* CRB approved Disfranchised GT2 car is defined as a small displacement GT2 car deemed eligible for GT3 as noted on the spec line and has logbook activity in GT2 Prior to 2016.

GT3 Cars - MERCURY

Model	Years	Body Style	Drive-line	Wheel-base (in)	Notes
Capri	79-86	2dr	FWD	100.4	
Cougar	99-02	2dr	FWD	103.0 / 106.4	

Engines - MERCURY

Engine Family	Engine Type	Bore (mm)	Stroke (mm)	Disp. (cc)	Head Type	Valves / Cyl.	Fuel Induction	Weight (lbs)	Notes
	SOHC	91.0	77.0	1993	Iron, Crossflow	2	Unrestricted	1960	
	SOHC	96.0	79.4	2301	Iron, Crossflow	2	Unrestricted	2130	Alt. Head: SVO #M-6049-A230

GT3 Cars - MITSUBISHI / EAGLE

Model	Years	Body Style	Drive-line	Wheel-base (in)	Notes
Eclipse	NA	2dr	FWD	97.3	
Lancer	00-07	4dr	FWD	102.4	
Lancer	2017	4dr	FWD	102.4	Body work must conform to all GT3 specs.

Talon	NA	2dr	FWD	97.3	
-------	----	-----	-----	------	--

Engines - MITSUBISHI / EAGLE

Engine Family	Engine Type	Bore (mm)	Stroke (mm)	Disp. (cc)	Head Type	Valves / Cyl.	Fuel Induction	Weight (lbs)	Notes
4G93	DOHC	81.0	89.0	1834	alum crossflow		unrestricted	1860	Direct injection is not allowed.
	SOHC	85.0	88.0	1997	Alum, Crossflow	2	Unrestricted	1960	
	DOHC	85.0	88.0	1997	Alum, Crossflow	4	32mm SIR	2060	May run unrestricted at 2195 lbs.
	SOHC	97.5	92.0	2213	Alum, Non-Crossflow	2	Unrestricted	2060	
4G69	SOHC	87.0	100.0	2378	Alum, Crossflow	4	32mm SIR	2195	

GT3 Cars - NISSAN

Model	Years	Body Style	Drive-line	Wheel-base (in)	Notes
200-SX / S10	77-79	2dr	RWD	92.1	
200-SX / S11	80-83	2dr	RWD	94.5	
200-SX / S12	84-88	2dr	RWD	95.5	
200-SX SER	95-97	2dr	RWD	95.7 / 99.8	
240-SX / S13	NA	2dr	RWD	97.5	Hood bulge allowed, no openings.
240-SX / S14	NA	2dr	RWD	99.4	Hood bulge allowed, no openings.
240Z / 260Z / 280Z	NA	2dr	RWD	90.7	Datsun 240Z with an L28 engine with an individual intake runner carb setup will be allowed as a "disenfranchised GT2 car" in GT3 with 150 pound weight addition and the motor must comply to current GT3 specification with applicable SIR.
280-ZX	79-83	2dr	RWD	91.3	Disenfranchised GT2 car allowed with 150lbs weight penalty.
300-ZX	NA	2dr	RWD	91.3 / 96.5 / 101.2	
350Z/370Z	NA	2dr	RWD	95.3 / 98.4 / 104.3 / 94.5 / 92.1 / 95.3 / 97.5 / 99.4 / 104.3	
710	NA	2, 4dr	RWD	98.4	
PL510	NA	2, 4dr	RWD	95.3	
Sentra SER Spec V	2002	4dr	FWD	95.7	

Engines - NISSAN

Engine Family	Engine Type	Bore (mm)	Stroke (mm)	Disp. (cc)	Head Type	Valves / Cyl.	Fuel Induction	Weight (lbs)	Notes
L18	SOHC	85	78	1770	Alum, Non-Crossflow	2	Unrestricted	1860	Alt. Heads: #11041-22010, 11041-U0600-A, 11041-U0602-SV, 11041-21901, 11041-N7120.
L20	SOHC	85	86	1952	Alum, Non-Crossflow	2	Unrestricted	1855	Alt. Heads: #11041-22010, 11041-U0600-A, 11041-U0602-SV, 11041-21901, 11041-N7120.
L20 w/ Z22 block	SOHC	87.0	86.0	2045	Alum, Non-Crossflow	2	Unrestricted	1960	Alt. Heads: #11041-22010, 11041-U0600-A, 11-41_U0602-SV, 11041-21901, 11041-N7120
L20 w/Z22 block (Alternate Disp)	SOHC	87.0	92.0	2188	Alum, Non-Crossflow	2	Unrestricted	2010	Alt. Heads: #11041-22010, 11041-U0600-A, 11041-U0602-SV, 11041-21901, 11041-N7120
	SOHC	84.5	88.0	1974	Alum, Crossflow	2	Unrestricted	1960	
QR25DE/DD	DOHC	89.0	80.3	1988	Alum, Crossflow	4	32mm SIR	2060	Direct injection not permitted. May run unrestricted at 2195 lbs.
SR16VE	DOHC	86.0	68.7	1596	Alumn. Crossflow	4	Unrestricted	1690	Alt. Heads: #11040-1N591.
SR20DE/VE	DOHC	86.0	86.0	1998	Alum, Crossflow	4	32mm SIR	2060	High port (89-94) and low port (95-01) allowed. May run unrestricted at 2195 lbs.
SR20VET Limited Prep-Turbocharged OEM Engine	DOHC	86.00	86.00	1998	Alum, Crossflow	4	TURBO w/ 33mm TIR	2060	Garrett GT2860RS Turbo only. ECU is open.
NAPZ	SOHC	87.0	92.0	2188	Alum, Non-Crossflow	2	Unrestricted	1960	
L24	SOHC	83.0	73.3	2380	Alum, Non-Crossflow	2	Unrestricted	2060	
KA24E	SOHC	89.0	96.0	2389	Alum, Crossflow	3	32mm SIR	2195	
KA24DE	DOHC	89	96	2389	Alum, Crossflow	4	32mm SIR	2195	
QR25DE/DD	DOHC	89.0	100.0	2489	Alum, Crossflow	4	32mm SIR	2195	Direct injection not permitted.
L26	SOHC	83.0	79.0	2565	Alum, Non-Crossflow	2	33mm SIR	2130	
L28	SOHC	86.1	79.0	2760	Alum, Non-Crossflow	2	33mm SIR	2130	
L28	SOHC	86.1	79.0	2760	Alum, Non-crossflow	2	33mm SIR	2280	GT2 spec

GCR - 359

9.1.2. GT3 Spec Lines

GT3 Cars - PONTIAC

Model	Years	Body Style	Drive-line	Wheel-base (in)	Notes
Fiero	NA	2dr	RWD	93.4	May convert to front engine/rear wheel drive. If OEM engine location is used (rear engine) IRS weight penalty is waived. Air cleaner may protrude through engine hatch.
Firebird	82-92	2dr	RWD	101.0	May run any GT3 legal GM engine.
Sunfire GT	NA	2dr	FWD	104.0	Disenfranchised GT2 car allowed with 150 lbs weight penalty.

Engines - PONTIAC

Engine Family	Engine Type	Bore (mm)	Stroke (mm)	Disp. (cc)	Head Type	Valves / Cyl.	Fuel Induction	Weight (lbs)	Notes
	OHV	101.6	82.55	2677	Alum, Crossflow	2	33mm SIR	2270	
	DOHC	86.0	94.6	2198	Alum, Crossflow	4	32mm SIR	2280	
LE5 Ecotech	DOHC	88.9	89.03	2210	Alum, Crossflow	4	32mm SIR	2280	GM racing block #XGB615 and cylinder head #XGBH614 allowed.
	DOHC	88.9	94.6	2349	Alum, Crossflow	4	32mm SIR	2345	

GT3 Cars - PORSCHE

Model	Years	Body Style	Drive-line	Wheel-base (in)	Notes
911 Coupe & Targa	-68	2dr	RWD	87.0 / 89.4	Windshield may be removed on Targa and a low front hoop may be fitted. Rear rim width: 8". Factory spoiler: #930-512-023-00 & 930-512-021-00 (or kit #930-512-901-01). No alternate materials or reproductions.
914	NA	2dr	RWD	96.5	Top panels may remain if securely bolted or pinned. Windshield may be removed and a low front hoop roll cage fitted. (75-76) bumpers allowed.
924	NA	2dr	RWD	94.5	
944	NA	2dr	RWD	94.5	
Boxster	NA	2dr	RWD	96.5	

Engines - PORSCHE

Engine Family	Engine Type	Bore (mm)	Stroke (mm)	Disp. (cc)	Head Type	Valves / Cyl.	Fuel Induction	Weight (lbs)	Notes
	OHV	94	70.9	1968	Alum, Crossflow	2	Unrestricted	1960	Cylinder barrels may be of alternate material. Alt. head: Type 1/Type 3. OEM 2-valve air cooled heads may be modified to utilize two (2) spark plugs per cylinder.
	SOHC	86.5	84.4	1984	Alum, Crossflow	2	Unrestricted	1960	Alt. Head: #933-104-302-50.

	SOHC	80	66	1991	Alum, Crossflow	2	Unrestricted	1960	OEM 2-valve air cooled heads may be modified to utilize two (2) spark plugs per cyl. Alt Head: 911-104-302-OR (w/sealed injector port).
	SOHC	84	66	2195	Alum, Crossflow	2	Unrestricted	2060	OEM 2-valve air cooled heads may be modified to utilize two (2) spark plugs per cyl.
	SOHC	84	70.4	2341	Alum, Crossflow	2	Unrestricted	2130	
	SOHC	100	78.9	2478	Alum, Crossflow	2	33mm SIR	2270	Alt. 4 valve head: #944 104 013 03 w/ 31mm SIR @ 2270lbs .
	SOHC	104	78.9	2681	Alum, Crossflow	2	33mm SIR	2270	
	SOHC	90	70.4	2687	Alum, Crossflow	2	33mm SIR	2270	
	SOHC	100	88	2766	Alum, Crossflow	2	33mm SIR	2270	
	SOHC	92	70.4	2808	Alum, Crossflow	2	33mm SIR	2270	
	SOHC	95	70.4	2992	Alum, Crossflow	2	33mm SIR	2270	OEM 2-valve air cooled heads may be modified to utilize two (2) spark plugs per cyl.

GT3 Cars - SAAB

Model	Years	Body Style	Drive-line	Wheel-base (in)	Notes
900	-79	2dr	FWD	99.4	
99E, CM, EMS, GL, LE	NA	2/4dr	RWD	97.4	
Sonnet III	NA	2dr	FWD	84.6	

Engines - SAAB

Engine Family	Engine Type	Bore (mm)	Stroke (mm)	Disp. (cc)	Head Type	Valves / Cyl.	Fuel Induction	Weight (lbs)	Notes
	OHV	89.9	66.8	1698	Iron, crossflow	2	Unrestricted	1805	
	SOHC	87	78	1854	Alum, Crossflow	2	Unrestricted	1960	
	SOHC	90	78	1985	Alum, Crossflow	2	Unrestricted	1960	
	DOHC	90	78	1985	Alum, Crossflow	4	32mm SIR	2060	May run unrestricted at 2195 lbs.

GT3 Cars - SCION

Model	Years	Body Style	Drive-line	Wheel-base (in)	Notes
tC	-5	2dr	FWD	93.7	May use any class legal Toyota engine.

GT3 Cars - TOYOTA

Model	Years	Body Style	Drive-line	Wheel-base (in)	Notes
Celica	94-99	2dr	FWD	99.4	
Celica	00-05	2dr	FWD	102.4/93.7	
Celica Sport, Coupe GT, ST, Liftback GT	NA	2dr	FWD	98.3	
Corolla	NA	2/4dr	FWD	94.5/102.4 / 93.7	
MR-2	-89	2dr	RWD	91.3	
MR-2	00-05	2dr	RWD	91.3	
Paseo	92-99	2dr	FWD	93.7	
Tercel	-91	4dr	FWD	95.3 / 93.7	

Engines - TOYOTA

Engine Family	Engine Type	Bore (mm)	Stroke (mm)	Disp. (cc)	Head Type	Valves / Cyl.	Fuel Induction	Weight (lbs)	Notes
4AG	DOHC	81	77	1587	Alum, Crossflow	4	Unrestricted	1690	
4AG	DOHC	81	85.5	1762	Alum, Crossflow	4	Unrestricted	1860	
7AFE	DOHC	81	85.5	1762	Alum, Crossflow	4	Unrestricted	1860	Alternate heads 11101-16010 and 11101-16030. 77mm stroke allowed at 1855 lbs. (must run identical deck height as 4AG block).
	OHV	85	78	1770	Alum, Crossflow	2	Unrestricted	1860	2TG cyl. head allowed.
1ZZ	DOHC	79	91.5	1794	Alum, Crossflow	4	Unrestricted	1860	
2ZZ	DOHC	82	85	1796	Alum, Crossflow	4	Unrestricted	1860	
3S	SOHC	84.2	90.1	1998	Alum, Crossflow	2	Unrestricted	1960	
5S	DOHC	87	91	2164	Alum. Crossflow	4	32mm SIR	2130	
20R	SOHC	88.5	89	2189	Alum, Crossflow	2	Unrestricted	2060	
2AZ	DOHC	88.5	96	2362	Alum, Crossflow	4	32mm SIR	2195	
2RZ	DOHC	95	86	2438	Alum, Crossflow	4	32mm SIR	2195	Alt. head: #11101-75015.

GT3 Cars - TRIUMPH

Model	Years	Body Style	Drive-line	Wheel-base (in)	Notes
GT6, GT6+ & Mk III	-74	2dr	RWD	83	
TR-250 / TR-6	NA	2dr	RWD	88	Windshield may be removed and a low front hoop roll cage fitted.

Engines - TRIUMPH

Engine Family	Engine Type	Bore (mm)	Stroke (mm)	Disp. (cc)	Head Type	Valves / Cyl.	Fuel Induction	Weight (lbs)	Notes
	OHV	74.4	75.9	1998	Iron, Non-Crossflow	2	Unrestricted	1855	
	OHV	74.4	95	2498	Iron, Non-Crossflow	2	Unrestricted	2130	

GT3 Cars - VOLKSWAGEN

Model	Years	Body Style	Drive-line	Wheel-base (in)	Notes
Beetle	98-01	2dr	FWD	98.9	
Corrado	NA	3dr	FWD	97.3	
Golf & GTI	NA	3, 5dr	FWD	97.3 / 98.9	
Jetta	NA	4dr	FWD	97.3	
Rabbit	75-84	3, 5dr	FWD	94.5	
Scirocco	NA	3dr	FWD	94.5	

Engines - VOLKSWAGEN

Engine Family	Engine Type	Bore (mm)	Stroke (mm)	Disp. (cc)	Head Type	Valves / Cyl.	Fuel Induction	Weight (lbs)	Notes
	SOHC	79.5	86.4	1715	Alum, Non-Crossflow	2	Unrestricted	1755	Alt. Heads: #026-103-373G, 049-103-351C, Eurospec Sport head at 1805 lbs.
	SOHC	81	86.4	1780	Alum, Crossflow	2	Unrestricted	1860	Alt. Heads: #026-103-373G, 049-103-351C, Eurospec Sport head at 1805 lbs.
	DOHC	81	86.4	1780	Alum, Crossflow	4	Unrestricted	1860	
058, 06A, 06B	DOHC	81	86.4	1780	Alum, Crossflow	5	Unrestricted	1860	
	SOHC	82.5	92.8	1984	Alum, Crossflow	2	Unrestricted	1960	Alt. Heads: #026-103-373G, 049-103-351C, Eurospec Sport head at 1855lbs.
	DOHC	82.5	92.8	1984	Alum, Crossflow	4	32mm SIR	2060	May run unrestricted at 2195 lbs.
"Fun Cup" Beetle Sealed	SOHC	82.5	92.8	1984	Alum, Crossflow	4	Fuel Injection	1850	VW "Fun Cup" Beetle chassis as spec'd in the Fun Cup rule set, must conform to all other safety related rules per GCR or GTCS. Must have rule set in possession at event.

GT3 Cars - VOLVO

Model	Years	Body Style	Drive-line	Wheel-base (in)	Notes
122S	NA	2dr	RWD	102.5	
142 / 142E	NA	2dr	RWD	102.5	

242 / 244DL	NA	2dr	RWD	104	
S40	NA	4dr	FWD	100.4	
1800 E/S/ES	NA	3dr	RWD	96.5	
S60	2000-2009	4 Door Sports Coupe	FWD	106.9	

Engines - VOLVO

Engine Family	Engine Type	Bore (mm)	Stroke (mm)	Disp. (cc)	Head Type	Valves / Cyl.	Fuel Induction	Weight (lbs)	Notes
	OHV	88.9	80.0	1986	Iron, Non-Crossflow	2	Unrestricted	1855	
B20	SOHC	92.0	80.0	2127	Alum, Crossflow	2	Unrestricted	2060	
B21	SOHC	96.0	80.0	2320	Alum, Crossflow	2	Unrestricted	2130	
B1234	DOHC	96.0	80.0	2320	Alum, Crossflow	4	32mm SIR	2130	

GT3-TCR

Make	Model	Transmission	Power Level	Weight (lbs.)	Notes
Audi	RS3 LMS (16-20)	SEQ	90%	3177	Must use 200 tread wear tires
Audi	RS3 LMS (16-20)	DSG	90%	3100	Must use 200 tread wear tires. No tire shaving permitted. Stock TCR wheels only.
Honda	Civic Type R (16-20)	SEQ	90%	3210	Must use 200 tread wear tires. No tire shaving permitted. Stock TCR wheels only.
Hyundai	i30 N (16-20)	SEQ	90%	3254	Must use 200 tread wear tires. No tire shaving permitted. Stock TCR wheels only.
Volkswagen	Golf GTI (16-20)	SEQ	90%	3177	Must use 200 tread wear tires. No tire shaving permitted. Stock TCR wheels only.
Volkswagen	Golf GTI (16-20)	DSG	97.5%	3100	Must use 200 tread wear tires. No tire shaving permitted. Stock TCR wheels only.

GT3 World Challenge Grand Am spec ST cars

Must be prepared to 2014 Grand Am spec ST rules. Competitor must provide rules upon request.

GT3 World Challenge spec TC cars

Must be prepared to 2014 World Challenge TC rules. Competitor must provide rules upon request.

9.1.2.G. GTA CATEGORY SPECIFICATIONS (REGIONAL ONLY)

The following rules are intended to allow competitors to use proven stock-car technology to compete in SCCA road racing events at a reasonable cost. The philosophy of GTA is to provide opportunities to build a car from readily available stock-car parts.

I. General Specifications

- A. All cars competing in this class must meet all SCCA safety requirements for GT category automobiles found in Section 9 of the GCR unless otherwise specified herein. Car number and class designations must meet SCCA GCR specifications. The class designation is "GTA".
- B. All weights and ride height measurements shall be as raced.
- C. The maximum rear weight bias at any point during the competition is 52.0 %.
- D. Weight shifting devices of any type are prohibited.
- E. No titanium components are allowed for any purpose.

II. Chassis Specifications

- A. Any commercially available, mild steel stock car chassis with a minimum wheelbase of 102" and a maximum wheelbase of 110" may be used.
- B. Chrome alloy chassis are not allowed.
- C. There are two basic styles of chassis used in GTA - the "narrow track" chassis and the "wide track" chassis as defined by track width:
 1. The "narrow track" chassis has a track no greater than 62.0 inches.
 2. Any chassis with a track wider than 62.0 inches is considered a "wide track" chassis. The maximum track for any chassis is 65.0 inches.
- D. The minimum overall body height of any chassis (measured 10 inches behind the top of the windshield) is 46.5 inches.
- E. The base minimum weight for a car based on a narrow track chassis is 2800 pounds.
- F. The base minimum weight for a car based on a wide track chassis is 2850 pounds.
- G. The minimum ground clearance for any part of the chassis or bodywork rearward of the front tires is 3.5 inches.
- H. The minimum ground clearance for the front air dam or splitter is 2.5 inches.
- I. The maximum overall width is 75.0 inches for a narrow track car.
- J. The maximum overall width is 80.0 inches for a wide track car.
- K. A minimum of 9.5 inches, measured from the center of the crankshaft bolt to the ground, must be maintained at all times.

III. Body Specifications

- A. All cars in this class must use 1997 through current-year commercially available stock car bodywork. The types of bodies allowed are:
 1. Cadillac CTS
 2. Chevrolet Camaro (2010+)
 3. Chevrolet Impala
 4. Chevrolet Malibu
 5. Chevrolet Monte Carlo
 6. Dodge Challenger (2010+)
 7. Dodge Charger
 8. Dodge Intrepid
 9. Ford Fusion
 10. Ford Mustang (2010+)
 11. Ford Taurus
 12. Ford Thunderbird

13. Lincoln MKS
 14. Oldsmobile Cutlass
 15. Pontiac G8
 16. Pontiac Grand Prix
 17. Toyota Camry
- B. All body components must be used in an as-produced, unmodified form and must retain all manufacturer identifying markings. No "one-off" or "high downforce" body packages are allowed.
 - C. Absolutely no additional holes, vents, modifications, etc., will be permitted on the body panels except as provided herein.
 - D. Unless damaged by an accident during the racing weekend, all body panels must remain in their standard orientation when the car is at speed (i.e. - no flexing or cocking of body panels to vent air from underneath or inside the car is allowed).
 - E. The bottom of the car must not be "belly-panned" or flush paneled. Panning may not extend rearward of the trailing edge of the radiator. Other than ductwork that serves no other purpose than to direct cooling air to the brakes, fuel/air metering device (carburetor or throttle body), and/or driver, no fixed or moveable air-directing devices are permitted underneath or inside the car.
 - F. Installation of air ducts to direct air to cool the driver is permitted. Air ducts to direct air to cool the driver can be installed behind the a-pillar. Duct and mount cannot exceed 8 inches in height by 12 inches in length. A maximum of three vents may be added to each rear side window to exhaust hot air from the driver's compartment.
 - G. The hood must have a minimum of four (4) positive locating pins on the leading edge of the hood and must be securely fastened by either pins or hinges at the rear. Cars using Late Model hoods may install the Five Star hood hold down (part #570-3700 or part #660-3700) to stabilize the front of the hood.
 - H. If used, a cowl opening shall be located at the rear edge of the hood at the base of the windshield and have a maximum opening of 2.5" deep by 20.0 inches wide. Fresh air boxes to the fuel/air metering device (carburetor or throttle body) are allowed as long as that ductwork serves no other purpose.
 - I. The single-plane rear blade spoiler must be mounted at an angle from 50 to 75 degrees (perpendicular to the ground being 90 degrees) and may not extend beyond the rear bumper when viewed from directly above the rear bumper. Spoilers must be a minimum of .063 aluminum or Lexan and may vary in overall height to match the contours of the bodywork. The rear spoiler dimensions shall not exceed 59.0 inches wide by 5.0 inches in height, or 295.0 square inches total surface area. Braces to prevent spoiler deflection are allowed, but may not serve any other purpose.
 - J. A full, stock-dimension molded front windshield is mandatory and must be constructed from 3/16" (minimum) Lexan. Three (3) 1-inch by 1/8" thickness internal windshield support braces should be spaced at least on six-inch centers and roughly centered on the windshield. The windshield must be secured to the body by bolts and/or rivets to prevent the windshield from popping out under internal pressure such as a spin.
 - K. A full, stock dimension molded rear "glass" constructed of minimum .093' thickness Lexan is required. It must be held securely in place by a minimum of two (2) 1.0" wide external straps as well as bolts and/or rivets mounting the "glass" to the rear bodywork around the perimeter of the opening. Back "glass" must also be securely braced internally to prevent significant bowing or distortion under racing conditions.
 - L. Side windows (driver and passenger side) must remain as produced in dimensions. Models with rear quarter or opera windows must have the stock opening covered with clear, securely mounted .093" thick Lexan. All window net installations must meet SCCA specifications.
 - M. All cars must have complete bodies, fenders, hoods, grills, and bumpers. Cockpit floors must be complete with no tunnels and/or air ducts allowed. No streamlining will be allowed, such as windshields, underpans, radiator grills or headlights. Taping of hood and/or body seams is not allowed.
 - N. Headlight decals and taillight decals or the model's original taillights are required at all times. Two functioning brake lights and two functioning taillights in the approximate location of the stock units are required.
 - O. Late model bodies may use "vent windows" to stabilize the A-post at high speeds. The maximum dimension along the top of the door will be nine (9) inches, and the trailing edge must be ninety degrees from the top of the door to the A-post. No vent windows may be added to the existing panels of the flange-fit bodies.

9.1.2.G. GTA Category Specifications

IV. Suspension/Shock Absorber Specifications

- A. Shocks and Springs are open, with one shock per wheel. Driver adjustable shock absorbers are not allowed.
- B. The steering wheel must be mechanically coupled to the front wheels and activate only those wheels (no "steer by wire" or "four-wheel steering"). Power assist is allowed and may be driven off the differential.
- C. A collapsible steering column, either by layout design or column construction, is required.
- D. Front lower control arms must be made of steel. Upper control arms, strut arms and upper pivot shafts may be aluminum.
- E. Front spindles/uprights must be steel, designed for racing applications, and be readily available to all competitors. No one-off, "center cooled" or Riley style spindles/uprights/hubs are permitted. Zero-scrub geometry is not permitted.
- F. Independent front suspension with articulated upper and lower control arms is mandatory.
- G. Major steering components including steering arms, tie rods, idlers, etc., must be fabricated from approved ferrous or non-ferrous alloys. All spherical bearings must be of aircraft quality.
- H. Sway (anti-roll) bars must be made of steel. Sway bar arms must be made of steel or aluminum. Spherical bearings are allowed to be attached to the lower control arm(s) and/or rear end. Driver adjustable sway bars are not allowed.
- I. The longitudinal linking system for the rear of the chassis may not exceed four locations and may not include a "torque tube" of any design. Spring-loaded and/or cushioned (torque absorbing) links are permitted.
- J. Either a panhard bar, Satchel link, or Watts link may be used to locate the rear axle laterally.
- K. Independent rear suspensions are not allowed.

V. Rear End Specifications

- A. Ford 9" or Quick Change units only. No "rear drive" or modified driven Quick Change rear ends are allowed.
- B. All axle tubes must be made of steel.
- C. The maximum rear camber per wheel is +/- 1.75 degrees.
- D. Electronic and/or electronic/hydraulic traction control devices are not allowed. Competitors found with any type of traction control device on the vehicle, whether operational or not, will be disqualified from the class for twelve (12) months.

VI. Transmission, Clutch, Flywheel, Bell housing, and Driveshaft Specifications

- A. Transmissions must be of readily available stockcar-style technology with four forward gears and an operating, driver-engaged reverse gear. No five-speed, semi-automatic or automatic transmissions are allowed. Manual "H-style" shift linkage is required. No sequential shift mechanisms are allowed. Ceramic bearings are not allowed.
- B. The clutch is limited to no more than three steel disks and floater plates with a minimum clutch diameter of 5.25 inches. No carbon parts or carbon clutches are allowed.
- C. Bell housings must be Quarter Master, Tilton or OEM. Transmissions must bolt directly to the rear bell housing surface (i.e. - the 10" spacers common in GT-1 are not allowed).
- D. The driveshaft must be one piece and made of metal.
- E. A minimum of two steel 360-degree driveshaft hoops shall be installed of sufficient strength to contain the driveshaft in case of u-joint or driveshaft failure. Said hoops shall be located within twelve (12) inches of the front of the shaft and as close as practical to the rear u-joint.

VII. Wheel and Tire Specifications

- A. Rims must be 15" diameter steel stock car rims of a one-piece construction specifically designed for racing. Wheel backspacing must be a minimum of 3.00 inches and a maximum of 7.00 inches (i.e. - zero-scrub front suspension is not allowed). Maximum wheel width is 10".
- B. All four tires on the car at any time must be the same model number. Tires will be specified by manufacturer and part number. Allowed Tires:
 - Hoosier 3035
 - Hoosier F45
 - Hoosier 3045

Race Tires America American Racer EC-84

Race Tires America American Racer SC5200

McCreary Speed Star

Goodyear D2560

Goodyear D1439

- C. Soaking or chemical treating of the tires is prohibited.
- D. In the event the race is declared a rain race by the Chief Steward, any tire may be used that fits a GTA-legal rim.
- E. When a vendor changes the specified tire model because a tire is no longer being manufactured, both the previous model and current model for that manufacturer may be used the next season, but the obsolete tire cannot be used after July 1.

VIII. Brake Specifications

- A. All vehicles must use dual master cylinder, 4-wheel disc brake systems.
- B. Driver adjustable brake bias is allowed.
- C. Brake rotors must be iron.
- D. Brake re-circulators are allowed.
- E. Any brake calipers may be used that fit within the specified wheels.
- F. Inline blowers may be used in the brake cooling ducts, but water cooling of the brakes is not allowed.
- G. Electronically controlled anti-lock braking systems are not allowed.
- H. Brake pad materials are open.

IX. Engine Specifications

There are multiple engine preparation packages that can be used, but any engine must comply with all the specifications of the selected package. i.e. – no “cherry picking” of items across multiple engine packages is allowed. All cars must comply with the general engine specifications found in Appendix A, and then must comply with one of the following:

- “Traditional” GTA carbureted engine as defined in Appendix B.
- “ASA Tour” LS-1 engine as defined in Appendix C.
- “Upgraded” LS-1 based engine as defined in Appendix D.
- “ZZ4 Fast Burn 385” engine as defined in Appendix E.
- Ford “DS347SR/MEP 425 LM Circle Track” engine as defined in Appendix F.
- GM “604 Circle Track” engine as defined in Appendix G.
- GM LS3 engine as defined in Appendix H.
- “Restricted” carbureted engine as defined in Appendix Z.

As new common engine packages become available they will be evaluated by the Advisory Committee and may be added as optional engines under these rules.

Appendix A: General Engine Specification (apply to all engine packages).

1. All engines will be normally aspirated, pushrod V-8s.
2. The centerline of the crankshaft shall be located within 1.00 inches of the centerline of the entire chassis (no more than 1.00” offset is permitted).
3. Engine setback will be measured from the center of the front most spark plug hole to the centerline of the top ball joints. For narrow track cars the maximum setback is 2.00 inches. For wide track cars the maximum setback is 4.00 inches.
4. A minimum of 9.5 inches, measured from the center of the crankshaft bolt to the ground, must be maintained at all times (with all tires inflated to a maximum of 25 psi).
5. Aftermarket engine blocks are allowed, but must be equal to or greater in weight and exterior dimensions compared to the original manufacturer of the make and model. No aftermarket aluminum blocks are allowed.
6. The crankshaft must be made of steel or iron. The stroke may be increased or decreased, but the

9.1.2.G. GTA Category Specifications

minimum stroke length is 3.25 inches. The minimum (bare crank) allowable weight is 46 pounds. Lightweight, knife-edge, 180-degree, pendulum cut, scalloped, and/or undercut counterweight crankshafts are prohibited.

7. Connecting rods must be solid steel. No titanium, aluminum, stainless steel or composite rods are allowed. Rods may be tested by using a magnet.
8. Valve covers are open.
9. Alternators must be OEM type, belt driven, and are optional. One-wire alternators are permitted and may be driven off the engine or the differential.
10. Water pumps must be OEM type. Water pump impellers may be altered for improved cooling. No reverse cooling systems are allowed.
11. The accelerator pedal must be mechanically coupled to the fuel/air metering device (no "fly by wire" throttles).
12. Each car must utilize a verifiable device that limits maximum engine RPM. The unit cannot be in a location where it can be modified or adjusted by the driver while the car is in motion. It is incumbent on each team to demonstrate that their rev limiting device is (a) functional, (b) accurate, and (c) tamper-proof.
 - For the soft touch systems all chips of the same setting may be thrown in a box and distributed randomly. At any event a test chip (3000 RPM) may be used to verify all rev limiters are functional. After verification, distribution and installation, chips also may be tie-wrapped into place or otherwise marked by a Tech Inspector. Cars with chips that are dislodged during qualifying will start at the rear of the entire grid while chips dislodged during the race will result in disqualification.
 - To enforce rev limits on the computer controlled engines (both standard and upgraded) ECUs may be randomly exchanged and/or swapped out with a standard ECU for the engine package being used. For the carbureted LS-1 engines, this would involve random assignment of the MSD 6010 timing modules.
13. Spark plugs are open.
14. The radiator must retain a stock appearance and must be located in front of the engine. The top of the radiator may be laid back a maximum of 3.00 inches from vertical.
15. Any commercially available stock car exhaust system that meets track-specific sound requirements may be used. Exhaust systems may be chromed, ceramic coated and/or painted.

Appendix B: "Traditional" carbureted GTA engine specifications.

1. Must meet all requirements listed in Appendix A.
2. Engine displacement can be a maximum of 358 cubic inches.
3. Pistons must be any forged flat top version, however valve reliefs may be cut into the top surface. No portion of the piston may protrude from the block. Each piston must have two compression rings and one oil ring groove.
4. The minimum wall thickness of the piston wrist pin must be .125 inches and must be made of steel. Any type of wrist pin locking device may be used.
5. Chevrolet cylinder heads must be Dart II cast iron heads, part #11310010p, which replaced part #1112B and #1115B.
6. Ford cylinder heads must be Dart II cast iron heads, part #5302B or World Products' Roush head, part #053040.
7. Chrysler cylinder heads must be Mopar Performance part #P4529994.
8. Maximum intake valve diameter is 2.020 inches. Maximum exhaust valve diameter is 1.600 inches. No titanium valves are allowed.
9. The minimum combustion chamber allowed is 62.0 cc and the internal cylinder head chamber dimensions must remain identical to the cylinder head's original chamber dimensions. Grinding for cc adjustments is allowable only in the cavity area. The cylinder head's original squish area must not be modified from the original dimensions at any point in the cylinder head. Porting and polishing is not allowed. No more than a three-angle valve job with a bottom cut of 60 degrees is permitted. A maximum of 0.250 inches from the head of the valve seat to the bottom of the 60-degree bottom cut is allowed. No grinding in the valve bowl area is permitted. No interior or exterior coatings are permitted.
10. Valve stem size must be a minimum of 11/32" and must remain as delivered from the manufacturer without modification. No pro-flow or any type of valve that steps down in diameter beyond the listed dimensions are allowed.

11. Externally measured compression ratio may not exceed 10.7:1. Engine compression ratio is designed to be 10.2:1, so a variance of 0.5 has been established in the maximum allowable externally measured compression ratio of 10.7:1.
12. Chevrolet intake manifold must be an Edelbrock Victor Jr., part #2975.
13. Ford intake manifold must be an Edelbrock Victor Jr., part #2980 or #2981.
14. Chrysler intake manifold must be an Edelbrock Victor W-2, part #2920.
15. No modifications to the intake manifold are allowed. No porting, polishing or filling of ports with any kind of material is allowed. No internal or external coatings or painting of any type is allowed. The maximum intake manifold port size is 1.900 inches high by 1.100 inches wide. The height from the top of the manifold mounting flange to the bottom of the port must be no less than 1.000 inches.
16. The carburetor must be a Holley 650 DBL pump, part #0-80541-2 and must be completely unmodified except for changing of jets and changes (safety wire or epoxy) to keep the booster nozzles from falling into the intake manifold. No porting, polishing or addition of epoxy (except to retain the booster nozzles), resin or any other material is permitted. A maximum 1.000 inch thick spacer may be used between the intake manifold and the carburetor.
17. Any roller or flat tappet camshaft with a maximum lift of 0.612 inches (measured at the valve with 0 lash) may be used. Engle camshaft part #RK-38 meets these specifications. The cam drive may use either a chain or belt system.
18. Rocker arms may be any OEM, steel or roller bearing type. No split shaft, shaft mounted or trunk-lined rocker assemblies are permitted. The maximum rocker arm ratio is 1.600:1.
19. The oil pan is open, but the oiling system may not exceed a three-stage system (two scavenge stages and one pressure stage). Cosworth, Cosworth-style, Autoverdi, and Heineker pumps are not allowed.
20. Air cleaners are required at all times. The air filter housing must be centered on the carburetor and all air entering the engine shall pass through the filter. The air filter element may not exceed 15.00 inches in diameter and the maximum element height is 4.00 inches.
21. Ignition systems may be OEM or electronic. No magnetos are allowed. The distributor must mount in the stock location. No ignition components may be located on the driver's side of the chassis. The ignition(s) must have a soft touch rev limit chip set at 7000 rpm (no variable and/or adjustable ignition systems are allowed). The soft touch system must be enclosed and have no interruptions or breaks in the wires en route to the distributor. All ignition wires connecting to the rev limiter(s), the ignition box(es), and the coil(s) must be readily accessible for inspection. No other wires may intersect or connect to those wires operation the ignition system(s) save for the ignition switch(es). If more than one ignition box is used each will be limited by a separate 7000 RPM rev limiter.

Appendix C: "ASA Tour" LS-1 engine.

1. Must meet all requirements listed in Appendix A.
2. This includes but is not limited to General Motors LS-1 Corvette engine as modified below.
 - a. ASA-spec filter box
 - b. ASA-spec air meter ducting (bellows)
 - c. Stock Mass Air Flow (MAF) sensor
 - d. Unmodified LS-1 intake manifold, part number 12560894
 - e. Unmodified LS-1 cylinder heads, part numbers 241 or 853
 - f. Camshaft part number 12480110 ("LS" V8 ASA cam) with 1.7:1 rockers
1. max lift measured at the intake and exhaust valves is .525"
2. duration at .050" lift: intake = 226, exhaust = 236
3. lobe separation is 110
- g. Maximum compression ratio is 10.1:1
3. The 75mm throttle body must remain in place.
4. The stock stroke must be maintained. Cylinders may be honed as part of the normal freshening procedure, but the engine displacement can be a maximum of 350 cubic inches.
5. Crankshaft may be replaced with Eagle # 434636226100.
6. Rods may be replaced with Eagle # 612503D2000, Callies Compstar # 6125LS1, or Engine Pro # 10-1108-8.
7. Pistons may be replaced with Mahle # LS1314-898-F04, LS1314-905-F04, or LS1314-908-F04
GCR - 371

9.1.2.G. GTA Category Specifications

(depending on the overbore needed).

5. Maximum engine RPM as controlled by the ECU is 6500 rpm.
6. All ECU's must have either the ASA Tour or Schwanke-certified logos intact.
7. Cars using this engine may reduce their minimum weight by fifty (50) pounds.
8. The oil pan is open, but the oiling system may not exceed a three-stage system (two scavenge stages and one pressure stage). Cosworth, Cosworth-style, Autoverdi, and Heineker pumps are not allowed.
9. All LS-1 engines, whether sealed or not, are subject to the same teardown policies as covered by the GCR.

Appendix D: "Upgraded" LS-1 engine.

ASA Tour LS-1 based engines (Appendix C) may be modified only as follows:

1. Must meet all requirements listed in Appendix A.
2. The base LS-1 heads may be replaced with unmodified cylinder heads, part numbers 243 or 799.
3. An ECU re-flash to raise the maximum RPM limit to 6800 is allowed.
3. Optional upgraded intake systems:
 - Option 1: Any 90mm throttle body may be installed. One example is GM part #12589181. A stock, unmodified LS-2 intake manifold to fit the larger throttle body must be installed.
 - Option 2: An LS-6 intake manifold (part # 12573572 or 88894339) may be installed, but the stock 75mm throttle body must remain in place.
 - Option 3: The fuel injection system may be completely replaced with a Holley 650 carburetor as specified in Appendix B, item 16. This conversion also requires GM intake manifold part #88958675 and an MSD 6010 timing module.
4. The ASA-spec filter box and air meter ducting (bellows) may be replaced by aftermarket parts, but the stock Mass Air Flow (MAF) sensor must remain in place.
5. New valve springs, Isky #165A or GM part #12586484, should be installed to handle the higher RPM limit.
6. New ARP rod bolts, part #134-6006, should be installed to handle to higher RPM limit.
7. Competitors may upgrade their own ASA LS-1 engines, but ONLY the items listed in Appendix D, numbers 2 through 6 may be modified. NO other modifications are allowed.
8. All LS-1 engines, whether sealed or not, are subject to the same teardown policies as covered by the GCR.

Appendix E: "ZZ-4 Fast Burn 385" based engine.

This is a 23-degree aluminum head GM crate engine P/N 12499712 that must remain untouched except for the following specifications:

1. Must meet all requirements listed in Appendix A.
2. Must retain the stock 3.48" stroke.
3. Engine displacement can be a maximum of 355 cubic inches.
4. Maximum engine RPM is 6200 rpm.
5. Maximum compression ratio is 10.0:1.
6. Maximum intake valve diameter is 2.00", maximum exhaust valve diameter is 1.55".
7. The camshaft may be replaced with an aftermarket model meeting the following specs:
 - a. maximum valve lift: .525", intake and exhaust
 - b. duration at .050" lift: intake - 218, exhaust - 228
 - c. any hydraulic lifter allowed
- d. 1.6:1 roller rockers are allowed
8. The oil pan is open, but the oiling system may not exceed a four-stage system (three scavenge stages and one pressure stage). Cosworth, Cosworth-style, Autoverdi, and Heineker pumps are not allowed.

9. Any carburetor may be used, but cars meeting all the specifications of Appendix B.16 may reduce their minimum weight by fifty (50) pounds.

Appendix F: Ford "DS347SR/MEP 425 LM Circle Track" based engine. (For GM version see Appendix G.)

This is a readily available circle track crate engine that is based off the BOSS 302 P/N M-6007-DS347SR. It is highly recommended that the oiling system be modified to enable the package to survive in a road racing environment. The engine must remain untouched except for the following specifications:

1. Must meet all requirements listed in Appendix A,
 2. Must retain the stock 3.40" stroke.
3. Engine displacement can be a maximum of 351 cubic inches.
4. Maximum engine RPM in 6500 rpm.
5. Maximum compression ratio is 10.1:1.
6. Maximum intake valve diameter is 2.02", maximum exhaust valve diameter is 1.60"
7. The camshaft may be replaced with an aftermarket model meeting the following specs:
 - a. maximum valve lift: .528" intake, .528" exhaust (with 1.65 rocker)
 - b. duration at .050" lift: intake- 226, exhaust- 226
 - c. any hydraulic lifter allowed
 - d. 1.65:1 roller rockers are allowed
8. The oil pan is open, but the oiling system may not exceed a four-stage system (three scavenge stages and one pressure stage). Cosworth, Cosworth-style, Autoverdi and Heineker pumps are not allowed.
9. Any carburetor may be used, but cars meeting all the specifications of Appendix B.16 may reduce their minimum weight by fifty (50) pounds.
10. See Ford 347 Series Sealed Racing Engine handbook for complete specifications.

Appendix G: GM "604 Circle Track" based engine. (For Ford version see Appendix F.)

This is a readily available circle track crate engine that is based off the ZZ-4 Fast Burn 385 P/N 24502609, P/N88959604. It is highly recommended that the oiling system be modified to enable the package to survive in a road racing environment. The engine must remain untouched except for the following specifications:

1. Must meet all requirements listed in Appendix A.
2. Must retain the stock 3.48" stroke.
3. Engine displacement can be a maximum of 355 cubic inches.
4. Maximum engine RPM is 6500 rpm.
5. Maximum compression ratio is 9.6:1.
6. Maximum intake valve diameter is 2.00", maximum exhaust valve diameter is 1.55".
7. The camshaft may be replaced with an aftermarket model meeting the following specs:
 - a. maximum valve lift: .474" intake, .510" exhaust
 - b. duration at .050" lift: intake - 208, exhaust - 221
 - c. any hydraulic lifter allowed
 - d. 1.6:1 roller rockers are allowed
8. The oil pan is open, but the oiling system may not exceed a four-stage system (three scavenge stages and one pressure stage). Cosworth, Cosworth-style, Autoverdi, and Heineker pumps are not allowed.
9. Any carburetor may be used, but cars meeting all the specifications of Appendix B.16 may reduce their minimum weight by fifty (50) pounds.
10. See the GM Performance Parts Circle Track Crate Engine Technical Manual for complete specification.

Appendix H: GM LS3 Engine.

9.1.2.G. GTA Category Specifications

1. Must meet all requirements listed in Appendix A.
2. A stock Mass Air Flow (MAF) sensor, GM part #25168491, or #15865791 must be used. Any commercially available air filter may be used. All tubes between the air filter and throttle body must be metal (except unions used to connect intake tubes). The maximum outside diameter of the tubes is 4.0 inches. No tapered tubing, tapered inserts, or airflow directing devices may be used in the tubing connecting the air filter to the throttle body.
3. The throttle body must be either a GM 90mm, electronic, part #12570790, or Edelbrock 90mm, mechanical, part #3869 or #3870.
4. Throttle bodies may not be modified.
5. A 2.150 inch diameter flat plate restrictor must be in place during all practice, qualification, and race sessions. The restrictor must be mounted in the inlet side of the throttle body.
6. An unmodified LS3 GM (short), or L92 GM (tall) intake manifold must be used. Identically equivalent GM part number intake manifolds may also be used.
7. Unmodified GM LS3 cylinder heads, GM casting #'s 0821, 0823, or 5364 must be used. Porting and/or polishing is not allowed. No more than a three angle valve job with a bottom cut of 60 degrees is permitted. A maximum of 0.250 inches from the head of the valve seat to the bottom of the 60 degree bottom cut is allowed. No grinding in the combustion chamber bowl area is allowed. No interior or exterior coatings are permitted. Valve covers are unrestricted.
8. The maximum compression ratio is 10.7:1.
9. The spec TA2 LS3 camshaft must be used. The cam must be ordered through Schwanke Engines, (507.723.4120). Stock rocker arms, with a 1.7:1 ratio must be used. Stock valve spring retainers and keepers (locks/keys) must be used (no titanium). Any valve springs are allowed.
10. The stock engine bore is 4.065 inches (103.25 mm). Cylinders may be honed as part of the normal freshening procedure, but the engine displacement cannot exceed 378 cubic inches.
11. The stock crankshaft, with a 3.622 inch (92 mm) stroke, must be used.
12. Aftermarket pistons, piston rings, piston pins and connecting rods may be used if the basic design and weight is the same as the stock GM components.
13. Aftermarket fasteners, including rod bolts are allowed (no titanium).
14. The oil pan is unrestricted, but the oiling system may not exceed a four-stage system (three scavenge and one pressure).
15. A GM ECU must be used. It may be re-flashed and the maximum RPM set at 6800 RPM.

Appendix Z: "Restricted" carbureted engine.

If your engine does not fall into one of the categories listed above it may still be used as long as it meets the following specifications:

1. Must meet all requirements listed in Appendix A.
2. Engine displacement can be a maximum of 366 cubic inches.
3. Maximum intake valve diameter is 2.050 inches. Maximum exhaust valve diameter is 1.600 inches.
4. The maximum engine compression ratio is 9.5:1.
5. Any carburetor may be used, subject to the following restrictions:
 - a. Restricted engines using a Holley 650 DBL pump, part #0-80541-2, as defined in Appendix B.16 will be limited to 7000 RPM.
 - b. Restricted engines using any other carburetor will be limited to 6500 RPM.
6. Any roller or flat tappet camshaft with a maximum lift of 0.550 inches (measured at the valve with 0 lash) may be used.
7. The oil pan is open, but the oiling system may not exceed a four-stage system (three scavenge stages and one pressure stage). Cosworth, Cosworth-style, Autoverdi, and Heineker pumps are not allowed.
8. Ignition systems may be OEM or electronic. No magnetos are allowed. The distributor must mount in the stock location. No ignition components may be located on the driver's side of the chassis. The ignition(s) must have a soft touch rev limit chip set at a maximum of 6500 or 7000 rpm depending the carburetor being used (no variable and/or adjustable ignition systems are allowed). The soft touch system must be enclosed and have no interruptions or breaks in the wires en route to the distributor. All ignition wires connecting to the rev limiter(s), the ignition box(es), and the coil(s) must be readily

accessible for inspection. No other wires may intersect or connect to those wires operation the ignition system(s) save for the ignition switch(es). If more than one ignition box is used each will be limited by a separate RPM rev limiter.

GTL Cars

Acura

Model	Years	Body Style	Drive-line	Wheel-base (in)	Notes
Integra	(-93)	2dr	FWD	96.5	May use any class legal Honda engine.
Integra	(94-)	2dr	FWD	101.2	May use any class legal Honda engine.
RSX	(02-05)	2dr	FWD	96.5 / 101.2	May use any class legal Honda engine.

GTL Cars - ALFA ROMEO

Model	Years	Body Style	Drive-line	Wheel-base (in)	Notes
GT-1300 Junior	NA	2dr	RWD	92.5	
GTA Junior	NA	2dr	RWD	92.5	
Alfetta GT	NA	2dr	RWD	94.5	
Giulia 1300	NA	2dr	RWD	98.8	
Giulia 1300 TI	NA	2dr	RWD	98.8	
GTV 1600	NA	2dr	RWD	92.5	
GTV 1750 / 2000	NA	2dr	RWD	92.5	
Giulietta Spider / Giulia Spider	NA	2dr	RWD	86.6 / 88.6	
All Spider Models	(-94)	2dr	RWD	88.6	

Engines - ALFA

Engine Family	Engine Type	Bore x Stroke (mm)	Disp. (cc)	Head Type	Valves/ Cyl.	Fuel Induction	Weight (lbs)	Notes
	DOHC	78.0 x 67.5	1130	Alum, Crossflow	2	Unrestricted	1605	
	DOHC	74.0 x 75.0	1290	Alum, Crossflow	2	Unrestricted	1605	
	DOHC	80.0 x 67.5	1357	Alum, Crossflow	2	Unrestricted	1605	
	DOHC	78.0 x 82.0	1570	Alum, Crossflow	2	24.5mm SIR	1935	
	DOHC	80.0 x 75.0	1508	Alum, Crossflow	2	24.5mm SIR	1905	
	DOHC	80.0 x 88.5	1779	Alum, Crossflow	2	24mm SIR	2040	Alt. head: 19510-01053-04 (twin plug).

GTL Cars - AMC

Model	Years	Body Style	Drive-line	Wheel-base (in)	Notes
AMC/Renault Alliance	NA	3dr	FWD	93.5	
AMC/Renault Encore	NA	2dr	FWD	93.5	

Engines - AMC/Renault

GCR - 376

Engine Family	Engine Type	Bore x Stroke (mm)	Disp. (cc)	Head Type	Valves/ Cyl.	Fuel Induction	Weight (lbs)	Notes
	OHV	73.0 x 77.0	1289	Alum, Crossflow	2	Unrestricted	1660	Alternate crossflow head #7700597627.
	OHV	76.0 x 77.0	1397	Alum, Crossflow	2	24.5mm SIR	1850	Alternate crossflow head #7700597627.

GTL Cars - BMC thru Rover Group

Model	Years	Body Style	Drive-line	Wheel-base (in)	Notes
Austin-Healey Sprite	NA	2dr	RWD	80.0	Roll cage meeting requirements for cars under 1500lbs are acceptable for cars registered prior to 4/1/82.
MGB & MGB-GT	NA	2dr	RWD	91.0	
MG Midget	NA	2dr	RWD	80.0	Roll cage meeting requirements for cars under 1500lbs are acceptable for cars registered prior to 4/1/82.
Mini Cooper	NA	2dr	FWD	80.2	1) Roll cage meeting requirements for cars under 1500lbs are acceptable for cars registered prior to 1/1/82. 2) Reduce by 100 lbs with original suspension and 10" wheels. 3) Front and rear body seams may be removed. 4) Full flat bottom floors are permitted. 5) Rear valance panel may be removed or modified. 6) Rain gutters may be modified.
Austin America	NA	2dr	FWD	93.5	
BMW Mini	2002-	2dr	FWD	97.1	
Triumph Spitfire	NA	2dr	RWD	83.0	Roll cage meeting requirements for cars under 1500 lbs. are acceptable for cars registered prior to 4/1/82.

Engines - BMC thru Rover Group

Engine Family	Engine Type	Bore x Stroke (mm)	Disp. (cc)	Head Type	Valves/ Cyl.	Fuel Induction	Weight (lbs)	Notes
MG "B" Series	OHV	80.3 x 88.9	1798	Iron, non-Crossflow	2	24.5mm SIR	2035	
Triumph Spitfire	OHV	69.34 x 76.2	1147	Iron, non-Crossflow	2	Unrestricted	1530	
Mini/Sprite/Midget	OHV	2.78 x 3.20 (70.6 x 81.33) alt. bore: 73.5 max. or 74.0 max.	1275 1380 1399	Iron, non-Crossflow	2	Unrestricted	Mini: 1275@1570 1380@1650 1399@1670 Sprite/ Midget: 1275@1680 1380@1760 1399@1780	Any mini that retains the OE common sump gearbox configuration may reduce their weight by 125 lbs. Pierce aluminum cylinder head part #99003.843 allowed.
Mini/Sprite/Midget	OHV	2.78 x 3.20 (70.6 x 81.33) alt. bore: 73.5 max. or 74.0 max.	1275 1380 1399	Alum. Crossflow	2	Unrestricted 24.5mm SIR 24.5mm SIR Unrestricted 24.5mm SIR 24.5mmSIR	Mini: 1275@1700 1380@1900 1399@1939 Sprite/ Midget: 1275@1810 1380@2010 1399@2050	See all notes above. Pierce 7 port alum. crossflow cylinder head part #99003.849 is allowed. Mini Spares 8 port alum. Crossflow cylinder head part #C-AHT346 is allowed. Any mini that retains the OE common sump gearbox configuration may reduce their weight by 125 lbs.
Triumph Spitfire	OHV	73.66 x 75.997	1296	Iron, non-crossflow	2	Unrestricted	1680	
Triumph Spitfire	OHV	73.66 x 87.376	1493	Iron, non-crossflow	2	25mm SIR	1895	

BMW Mini W10B16	SOHC	77.0 x 85.8	1598	Alum, Crossflow	4	23.5mm SIR	1950	
--------------------	------	-------------	------	--------------------	---	------------	------	--

GTL Cars - BMW

Model	Years	Body Style	Drive-line	Wheel-base (in)	Notes
E21	1975- 1983	2 dr. Sedan	RWD	100.9	
318i/318iS	90-91	2dr	RWD	101.1	
1600-2 / 1602	NA	2dr	RWD	98.5	
Z3	96-02	Roadster	RWD	96.3	

Engines - BMW

Engine Family	Engine Type	Bore x Stroke (mm)	Disp. (cc)	Head Type	Valves/ Cyl.	Fuel Induction	Weight (lbs)	Notes
	SOHC	84.0 x 71.0	1573	Alum, Crossflow	2	24.5mm SIR	1935	
M42B18	DOHC	84.0 x 81.0	1796	Alum, Crossflow	4	22.5mm SIR	2050	
M42B19	DOHC	84.0 x 81.0	1796	Alum, Crossflow	4	22.5mm SIR	2070	

GTL Cars - DODGE

Model	Years	Body Style	Drive-line	Wheel-base (in)	Notes
Colt Coupe	NA	2dr	FWD	96.0	Mitsubishi bodywork allowed.
Omni	NA	2dr	FWD	99.2	
024	1978	2dr	FWD	96.7	

Engines - DODGE

Engine Family	Engine Type	Bore x Stroke (mm)	Disp. (cc)	Head Type	Valves/ Cyl.	Fuel Induction	Weight (lbs)	Notes
	SOHC	79.0 x 86.0	1597	Alum, Crossflow	2	24.5mm SIR	1950	
	SOHC	79.5 x 86.4 alt. bore: 81.0	1715 1781 1715 1781	Alum, non- Crossflow Alum. Crossflow	2	24.5mm SIR 24.5mm SIR 24mm SIR 24mm SIR	2010 2040 2010 2040	

GTL Cars - FIAT

Model	Years	Body Style	Drive-line	Wheel-base (in)	Notes
124 Sport Coupe	NA	2dr	RWD	95.3	
124 Special	NA	2dr	RWD	95.3	
128 Coupe	NA	2dr	FWD	87.5	
128	NA	2dr	FWD	96.4	
131 Coupe	NA	2dr	RWD	98.0	
131 Sedan	NA	4dr	RWD	98.0	

X19	NA	2dr	RWD	86.7	
-----	----	-----	-----	------	--

Engines - FIAT

Engine Family	Engine Type	Bore x Stroke (mm)	Disp. (cc)	Head Type	Valves/ Cyl.	Fuel Induction	Weight (lbs)	Notes
	SOHC	80.0 x 55.5	1116	Alum, Non-Crossflow	2	Unrestricted	1365	
	SOHC	86.0 x 55.5	1290	Alum, Non-Crossflow	2	Unrestricted	1595	Roll cage meeting requirements for cars under 1500 lbs are acceptable for cars registered prior to 1/1/82.
1300 w/ 1500 block	SOHC	86.0 x 55.5	1290	Alum, Non-Crossflow	2	Unrestricted	1620	
	OHV	80.0 x 71.5	1438	Alum, Non-Crossflow	2	25mm SIR	1870	
	SOHC	86.4 x 64.0	1498	Alum, Non-Crossflow	2	25mm SIR	1900	
	DOHC	80.0 x 79.2	1592	Alum, Crossflow	2	24.5mm SIR	1945	
	DOHC	80.0 x 80.0	1608	Alum, Crossflow	2	24.5mm SIR	1955	
	DOHC	84.0 x 79.2	1756	Alum, Crossflow	2	24mm SIR	2040	
1500 Limited Prep (Engine & Chassis)	SOHC	3.40 x 2.52	1498	Aluminum	(I) 1.43 (E) 1.31	(1) 40 DCNF w/ 32mm choke(s), (1) 32 DTMR or 32 DATRA, or fuel injection	1835	Compression ratio limited to 11.0:1, Valve lift limited to .450". <i>Drivetrain</i> Level 2 preparation only. Listed spec line weight does not change with alternate or stock transmission. Fuel cell may be located in front trunk. Orientation of the alternate carburetor is unrestricted. The alternate carb adapter may not be thicker than 1.25 inches. The adapter may have a bore larger than the throttle bore of the approved alternate carburetor. Refer to PCS 9.1.5.E.2.a.e,f,g,h,i for permitted limited prep level 2 build specs.

GTL Cars - FORD

Model	Years	Body Style	Drive-line	Wheel-base (in)	Notes
Anglia Super	NA	2dr	RWD	90.5	
Cortina GT	64-68	2dr	RWD	98.0	
Escort Super	68-74	2dr	RWD	96.0	
Escort Lynx, EXP, LN7	81-90 1982	2dr	FWD	94.2	
Escort Mexico	70-74	2dr	RWD	96.0	
Fiesta	78-80	2dr	FWD	90.0	
Festiva	88-93	3 Dr. Hatchback	FWD	90.2	
Mustang	94-04	2dr	RWD	95.7-99.8	
Pinto	NA	2dr	RWD	94.0	Non-tube frame track: (F&R) 60.52"

Engines - FORD

Engine Family	Engine Type	Bore x Stroke (mm)	Disp. (cc)	Head Type	Valves/ Cyl.	Fuel Induction	Weight (lbs)	Notes
	OHV	3.19 x 2.29	1198	Iron, Non-crossflow	2	Unrestricted	1550	Alternate 1500cc Block: casting # 27333E6015 @ +23 lbs.

	OHV	3.19 x 2.48	1297	Iron, Non crossflow	2	Unrestricted	1550	Alternate 1500cc Block: casting # 27333E6015 w/ 23 lb penalty, 1600cc block w/ 25 lb penalty. Any Formula F cyl. head may be used, including aluminum version w/ 75 lb. penalty.
	OHV	81.0 x 73.2	1499	Iron, Non crossflow	2	25mm SIR	1900	
	DOHC	78.0 x 83.6	1597	Alum Crossflow	4	23.5mm SIR	1950	
	OHV	81.0 x 77.5	1598	Iron, Crossflow	2	24.5mm SIR	1950	Any Formula F cylinder head may be used, including aluminum version.
	SOHC	80.0 x 79.5	1598	Alum, Crossflow	2	24.5mm SIR	1950	
Zetec	DOHC	80.6 x 88.0	1796	Alum, Crossflow	4	22.5mm SIR	2050	Alt. 2.0L cyl block may be sleeved to specified bore size.
	DOHC	83.0 x 85.0	1839	Alum Crossflow	4	22.5mm SIR	2070	

GTL Cars - GINETTA

Model	Years	Body Style	Drive-line	Wheel-base (in)	Notes
Ginetta G40	2002-	2-Door Coupe	RWD	88.6	Must comply with all GTL rules except as noted on spec line. May use FIA roll cage. Must have complete build specs in possession at all race events.

Engines - GINETTA

Engine Family	Engine Type	Bore x Stroke (mm)	Disp. (cc)	Head Type	Valves/Cyl.	Fuel Induction	Weight (lbs)	Notes
Ginetta/Ford Zetec		80.6mm X 88.0mm	1796cc	Crossflow	4	22.5 SIR	2050 + 51 lbs for IRS. + 26lbs. for sequential.	5 Speed only.

GTL Cars - HONDA

Model	Years	Body Style	Drive-line	Wheel-base (in)	Notes
Civic	73-79	3dr	FWD	86.6	
Civic	80-87	3dr	FWD	88.6	
Civic	84-87	2dr, 3dr	FWD	93.7	Hood bulge permitted, no openings.
Civic	84-87	4dr	FWD	96.5	Hood bulge permitted, no openings.
Civic	88-91	3dr	FWD	98.4	Hood bulge permitted, no openings.
Civic	92-95	2dr	FWD	98.4 or 103.2	Hood bulge permitted, no openings.
Civic	96-06	2dr	FWD	103.2	Hood bulge permitted, no openings.
Civic	06-09	2dr	FWD	104.3	
Civic Coupe	96-00	2dr	FWD	101.3	
Civic Coupe	2017-	2dr	FWD	106.3	
Civic Del Sol	93-97	2dr	FWD	93.3	
Civic Hatchback	96-00	2dr	FWD	103.2	
CRX	84-87	3dr	FWD	86.6	Hood bulge permitted, no openings. May mount wing per hatchback-station wagon spec, but no part of the wing assembly may be above the highest point of the roof.

CRX	88-91	3dr	FWD	90.6	Hood bulge permitted, no openings. May mount wing per hatchback-station wagon specs, but no part of the wing assembly may be above the highest point of the roof.
CRZ	10-14	3dr	FWD	95.9	Alternate wheelbase 90.6 in.
CRZ	15-16	3dr	FWD	103.1	Alternate wheelbase 90.6 in.
Insight	00-06	2dr	FWD	94.5	Alternate wheelbase 90.6 in.

Engines - HONDA

Engine Family	Engine Type	Bore x Stroke (mm)	Disp. (cc)	Head Type	Valves/ Cyl.	Fuel Induction	Weight (lbs)	Notes
EB	SOHC	70.0 x 76.0	1170	Alum, Crossflow	2	Unrestricted	1590	Alt heads: #12100-634-000.
EB	SOHC	72.0 x 76.0	1237	Alum, Crossflow	2	Unrestricted	1675	Alt heads: #12100-634-000.
EN	SOHC	72.0 x 82.0	1335	Alum, Crossflow	3	24mm SIR 25mm SIR	1820 1920	Alt. Heads: #12100-PB9-000 (2 valve, Crossflow w/ unrestricted fuel induction at 1719 lbs), 12100-PA1-000.
EW	SOHC	74.0 x 78.0	1342	Alum, Crossflow	3	24mm SIR	1820	Alt. Heads: #12100-PE3-000 or 12100-PE7-000.
EW	SOHC	74.0 x 86.5	1488	Alum, Crossflow	3	24mm SIR	1895	Alt. Heads: #12100-PE3-000 or 12100-PE7-000.
D15	SOHC	75.0 x 84.5	1493	Alum, Crossflow	4	23mm SIR	1895	
D15b7	SOHC	75.0 x 84.5	1493	Alum, Crossflow	4	Fuel Injection	1895	Comp. Ratio limited to 11.0:1, Valve lift limited to .390". Valve size: (I) 29.0mm (E) 25.0mm, drysump and alternate connecting rods allowed. Refer to PCS 9.1.5.E.2.a,e,f,g,h,i for permitted limited prep level 2 build specs.
Fit	DOHC	73.0 x 89.4	1497	Alum Cross-flow	4	23mm SIR	1900	
D16	SOHC	75.0 x 90.0	1590	Alum, Crossflow	4	23.5mm SIR	1945	
D16A	DOHC	75.0 x 90.0	1590	Alum, Crossflow	4	23.5mm SIR	1945	
B16A	DOHC	81.0 x 77.4	1595	Alum, Crossflow	4	23.5mm SIR	1950	
B18	DOHC	81.0 x 87.2	1797	Alum, Crossflow	4	22.5mm SIR	2050	
B18	DOHC	81.0 x 89.0	1834	Alum, Crossflow	4	22.5mm SIR	2065	

GTL Cars - Hyundai

Model	Years	Body Style	Drive-line	Wheel-base (in)	Notes
Accent	2010-	2DR	RWD	97.0	

GTL Cars - KIA

Model	Years	Body Style	Drive-line	Wheel-base (in)	Notes
Rio	00-05	4dr	RWD	95.0	
Rio	06-11	4dr/5dr	RWD	98.4	
Rio	12-17	4dr/5dr	RWD	101.9	
Forte	09-12	2dr/4dr	RWD	104.3	
Forte	13-17	2dr/4dr	RWD	106.3	

Engines - KIA

Engine Family	Engine Type	Bore x Stroke (mm)	Disp. (cc)	Head Type	Valves/ Cyl.	Fuel Induction	Weight (lbs)	Notes
Gamma	DOHC	77.0 x 85.44	1591	Alum, Crossflow	4	23.5mm SIR	1950	
BP	DOHC	83.0 x 85.0	1839	Alum, Crossflow	4	22.5 mm SIR	2270	

GTL Cars - LANCIA

Model	Years	Body Style	Drive-line	Wheel-base (in)	Notes
Scorpion	76-77	2dr	RWD	90.5	Trunk mounted fuel cell is permitted. Fabric roof panel may be replaced with alternate material. Non-tube frame track (R) 61.5".

Engines - LANCIA

Engine Family	Engine Type	Bore x Stroke (mm)	Disp. (cc)	Head Type	Valves/ Cyl.	Fuel Induction	Weight (lbs)	Notes
	DOHC	84.0 x 79.2	1756	Alum, Crossflow	2	24mm SIR	2030	

GTL Cars - LOTUS

Model	Years	Body Style	Drive-line	Wheel-base (in)	Notes
Cortina	64-66	2dr	RWD	97.5	
Cortina	67	2dr	RWD	98.0	
Elan S2, S4 (Rdstr, Cpe, Drphead)	NA	2dr	RWD	84.0	Windshield may be removed and a low front hoop roll cage may be fitted.
Europa		2dr	RWD	91.0	

Engines - LOTUS

Engine Family	Engine Type	Bore x Stroke (mm)	Disp. (cc)	Head Type	Valves/ Cyl.	Fuel Induction	Weight (lbs)	Notes
	DOHC	82.6 x 73.0	1558	Alum, Crossflow	2	24.5mm SIR	1930	Alternate cylinder heads allowed: Ford 1500 Non-crossflow and Ford 1600 crossflow (including aluminum version)

GTL Cars - MAZDA

Model	Years	Body Style	Drive-line	Wheel-base (in)	Notes
Protégé	1999	2dr	FWD	96.5/98.4/102.8	Rotary engine setback from the front spindle centerline to the front spark plug is 4.5".
Protégé 5	2002	5dr	FWD	96.3/102.8	OEM roof spoiler is permitted (P/N:B25T-51-960C-XX, "XX" = color code) Engine setback from the front spindle centerline to the front spark plug is 4.5
GLC	NA	2dr	FWD	93.1/98.4	Rotary engine setback from the front spindle centerline to the front spark plug is 4.5".
MX-3	92-94	2dr	FWD	91.1/96.3	Rotary engine setback from the front spindle centerline to the front spark plug is 4.5".
MX-5 / Miata	90-05	2dr	RWD	89.2	Rotary engine setback from the front spindle centerline to the front spark plug is 4.5".
MX-5	06-10	2dr	RWD	91.7	Rotary engine setback from the front spindle centerline to the front spark plug is 4.5".
323	88-91	2dr	FWD	94.5	Rotary engine setback from the front spindle centerline to the front spark plug is 4.5".
3		2dr	FWD	97.0	Rotary engine setback from the front spindle centerline to the front spark plug is 4.5".
RX-3		2dr	RWD	91.0	

RX-7		2dr	RWD	95.3, 95.5, 95.7	Non-tube frame track (F) 60.7" (R) 60.3".
------	--	-----	-----	---------------------	---

Engines - MAZDA

Engine Family	Engine Type	Bore x Stroke (mm)	Disp. (cc)	Head Type	Valves/ Cyl.	Fuel Induction	Weight (lbs)	Notes
	SOHC	73.0 x 76.0	1272	Alum, Crossflow	2	Unrestricted	1680	1500cc block and head w/1300 (1365)cc crankshaft (#E301-11-301 or equivalent) is permitted. Alt. head: # E515-10-100B.
	SOHC	77.0 x 69.6	1296	Alum, Crossflow	2	Unrestricted	1645	1500cc block and head w/1300 (1365)cc crankshaft (#E301-11-301 or equivalent) is permitted. Alt. head: # E515-10-100B.
	SOHC	77.0 x 80.0	1490	Alum, Crossflow	2	24.5mm SIR	1895	Alt. Head: #E515-10-100B.
	SOHC	78.0 x 83.6	1597	Alum, Crossflow	2	24.5mm SIR	1950	
	DOHC	78.0 x 83.8	1597	Alum, Crossflow	4	23.5mm SIR	1900	
	DOHC	83.0 x 85.0	1839	Alum, Crossflow	4	22.5mm SIR	2070	
B3		71mm x 83.6	1324	Alum. Crossflow	4	Unrestricted	1700	
12A	Street Port		2292			29mm SIR	2000	
13B	Street Port					28mm SIR	2125	

GTL Cars - NISSAN

Model	Years	Body Style	Drive-line	Wheel-base (in)	Notes
PL510	68-73	2dr, 4dr	RWD	95.3	
1200 (B110)	70-73	2dr	RWD	90.6	
B210	74-78	2dr, 3dr, 4dr	RWD	92.1	
Note	2016	5dr.	FWD	94.0/97.0	
210 (B310)	79-82	2dr, 3dr, 4dr	RWD	92.1 or 94.2	
SPL 311/311U	NA	2dr	RWD	89.9/95.7	
Pulsar (N12)	83-86	3dr	FWD	95.1	
Pulsar (KN13)	87-90	3dr	FWD	95.1	
Sentra	2016	2dr., 4dr.	FWD	94.0/97.0	
Sentra (B11)	82-85	2dr, 3dr, 4dr	FWD	94.5	
Sentra (B12)	86-90	2dr, 3dr, 4dr	FWD	94.5	
Sentra (B13)	91-94	2dr, 4dr	FWD	95.7	May have hood bulge (Max. of 1.5"H x 10.0" L x 6.0 W)
200SX	75-79	2dr	RWD	92.0	
200SX SE-R (B14)	95-97	2dr	FWD	95.7 or 99.8	
240SX (S13/S14)	NA	2dr	RWD	97.5 or 99.4	Hood Bulge allowed, no openings.

Sentra SE-R (B15U)	2002	4dr	FWD	95.7 or 99.8				
Versa	2016	5dr.	FWD	94.0/97.0				
Engines - NISSAN								
Engine Family	Engine Type	Bore x Stroke (mm)	Disp. (cc)	Head Type	Valves/ Cyl.	Fuel Induction	Weight (lbs)	Notes
A12	OHV	73.0 x 70.0 alt. bore: 75.2 max.	1171 1243 (w/ alt. bore)	Alum, Non- crossflow	2	Unrestricted	1550 (1590 w/ alt. bore)	Alt heads: #11041-H2303, 11041-H5704, 11041-H9204.
A12A	OHV	75.0 x 70.0 alt. bore: 77.2 max.	1237 1310 (w/ alt. bore)	Alum, Non- crossflow	2	Unrestricted	1645 (1685 w/ alt. bore)	Alt heads: #11041-H2303, 11041-H5704, 11041-H9204.
A12A w/A14 Block	OHV	75.0 x 70.0 alt. bore: 77.2 max.	1237 1310 (w/ alt. bore)	Alum, Non- crossflow	2	Unrestricted	1665 (1705 w/ alt. bore)	Alt heads: #11041-H2303, 11041-H5704, 11041-H9204.
A13	OHV	73.0 x 77.0 alt. bore: 75.2 max.	1288 1368 (w/ alt. bore)	Alum, Non- crossflow	2	Unrestricted	1720 (1760 w/ alt. bore)	Alt heads: #11041-H2303, 11041-H5704, 11041-H9204.
A14	OHV	76.0 x 77.0	1397	Alum, Non- crossflow	2	25mm SIR	1850	Alt heads: #11041-H2303, 11041-H5704, 11041-H9204.
A15	OHV	76.0 x 82.0	1488	Alum, Non- crossflow	2	25mm SIR	1895	Alt heads: #11041-H2303, 11041-H5704, 11041-H9204.
A16H	OHV	76.0 x 88.0	1597	Non- crossflow	2	25mm SIR	1950	Must use A14/15 "A" series block. Must use non crossflow "A" series cylinder.
E15	SOHC	76.0 x 82.0	1488	Alum, Crossflow	2	24.5mm SIR	1895	Alt head: #11041-15M00.
E16	SOHC	76.0 x 88.0	1597	Alum, Crossflow	2	24.5mm SIR	1950	Alt heads: #11041-15M00, 11041-17M00.
GA16	DOHC	76.0 x 88.0	1597	Alum, Crossflow	4	23.5mm SIR	1950	
L16	SOHC	83.0 x 73.7	1595	Alum, Non- crossflow	2	25mm SIR	1950	Alt Heads: #11041-22010, 11041-U0600A, 11041-U0602-SV, 11041-N7120, 11041-21901.
L16 (Limited Prep)	SOHC	83.0 x 73.7	1596	Alum. Non- Crossflow	2	(2) auto type sidedrafts w/ 32mm choke(s).	1950	Comp. Ratio limited to 12.0:1. Valve lift limited to .450". Valve size: (I) 41.9mm (E) 33.0mm, drysump and alternate connecting rods allowed. Refer to PCS 9.1.5.E.2.a.e.f.g,h,i for permitted limited prep level 2 build specs.
R16 (Limited Prep)	4 cyl OHV	3.43 x 2.63	1596	Iron or Alum, non crossflow	2	(2) auto type sidedrafts w/32mm choke(s).	1950	Comp. Ratio limited to 12.0:1. Valve lift limited to .450". Valve size: (I) 41.9mm (E) 33.0mm. Drysump and alternate connecting rods allowed. Refer to PCS 9.1.5.E.2.a.e.f.g,h,i for permitted limited prep level 2 build specs.
SR16VE	DOHC	86.0 x 68.7	1596	Alum, Crossflow	4	23.5mm SIR	1950	Alt. Heads: #11040-1N591.
QG18DE	DOHC	80.0 x 88.0	1769	Alum, Crossflow	4	22.5mm SIR	2035	
L18	SOHC	85.0 x 78.0	1770	Alum, Non- Crossflow	2	24.5mm SIR	2035	#11041-22010, 11041-U0600-A, 11041-U0602-SV, 11041-21901, 11041-N7120.
MR18DE	DOHC	84.0 x 81.1	1797	Alum. Crossflow	4	22.5mm SIR	2050	
MRA8DE	DOHC	79.7 x 90.1	1797	Alum. Cross flow	4	22.5mm SIR	2050	
CA18	SOHC	83.0 x 83.6	1809	Alum, Crossflow	2	24mm SIR	2055	
CA18DE	DOHC	83.0 x 83.6	1809	Alum, Crossflow	4	22.5mm SIR	2055	

GTL Cars - OPEL

Model	Years	Body Style	Drive-line	Wheel-base (in)	Notes
1900	1995	2dr	RWD	95.7	
Mk 51		2dr	RWD	95.7	
Mk 53		2dr	RWD	95.7	
Sport Coupe Rallye		2dr	RWD	95.7	
Mk 57R		2dr	RWD	95.7	
Sport Coupe		2dr	RWD		
Mk 77		2dr	RWD	95.7	
GT 1900	1995	2dr	RWD	95.7	

Engines - OPEL

Engine Family	Engine Type	Bore x Stroke (mm)	Disp. (cc)	Head Type	Valves/ Cyl.	Fuel Induction	Weight (lbs)	Notes
	SOHC	93.0 x 69.9	1897	Iron, Non-crossflow	2	24.5mm SIR	2100	

GTL Cars - PORSCHE

Model	Years	Body Style	Drive-line	Wheel-base (in)	Notes
914-4		2dr	RWD	96.5	
Porsche Boxster		2dr	RWD	96.5	May utilize any engine listed in GTL VW engine spec line.

Engines - PORSCHE

Engine Family	Engine Type	Bore x Stroke (mm)	Disp. (cc)	Head Type	Valves/ Cyl.	Fuel Induction	Weight (lbs)	Notes
	OHV	93.0 x 66.0	1795	Alum, Crossflow	2	24mm SIR	2050	Material may be added as required only to relocate spark plug hole as per 2.0L head. Alum crossflow head from 2.0L may be utilized.
	OHV	90.0 x 66.0	1679	Alum, Crossflow	2	24mm SIR	1990	Material may be added as required only to relocate spark plug hole as per 2.0L head. Alum crossflow head from 2.0L may be utilized.

GTL Cars - RENAULT

Model	Years	Body Style	Drive-line	Wheel-base (in)	Notes
R5	NA	2dr	FWD	94.6	Left Hand Drive Wheelbase - 95.8. See AMC/Renault for engines.
R1228	1978	2dr	FWD	96.6	Left Hand Drive Wheelbase - 95.8. See AMC/Renault for engines.
LeCar	78-79	2dr	FWD	94.6	Left Hand Drive Wheelbase - 95.8. (Firewall modifications permitted with use of alt. head.) Removal only of rain rail permitted, no modification. See AMC/Renault for engines.

GTL Cars - SAAB

Model	Years	Body Style	Drive-line	Wheel-base (in)	Notes
Sedan	-1964	4dr	FWD	98.4	
Sonet V4	67-69	2dr	FWD	84.6	

Sonet III	70-74	2dr	FWD	84.6	
-----------	-------	-----	-----	------	--

Engines - SAAB

Engine Family	Engine Type	Bore x Stroke (mm)	Disp. (cc)	Head Type	Valves/ Cyl.	Fuel Induction	Weight (lbs)	Notes
	OHV	90.0 x 58.9	1498	Iron, crossflow	2	24.5mm SIR	1900	Alternate intake manifold: #379050.
	OHV	90.0 x 66.8	1698	Iron, crossflow	2	24mm SIR	2000	Alternate intake manifold: #379050.

GTL Cars - SCION

Model	Years	Body Style	Drive-line	Wheel-base (in)	Notes
Xa	(05-06)	5dr	FWD	93.3	May use any class legal Toyota engine.

GTL Cars - SUBARU

Model	Years	Body Style	Drive-line	Wheel-base (in)	Notes
GL Coupe	NA	2dr	FWD	96.6	CVT transmission prohibited.
Justy (2WD)	88-94	2dr	FWD	89.9	CVT transmission prohibited.

Engines - SUBARU

Engine Family	Engine Type	Bore x Stroke (mm)	Disp. (cc)	Head Type	Valves/ Cyl.	Fuel Induction	Weight (lbs)	Notes
	SOHC	78.0 x 83.0	1189	Alum, Crossflow	3	Unrestricted	1545	
	OHV	3.23 x 2.36	1267	Alum, Non-crossflow	2	Unrestricted	1675	

GTL Cars - SUZUKI

Model	Years	Body Style	Drive-line	Wheel-base (in)	Notes
Swift	89-94	2dr	FWD	89.2	
Swift	89-94	4dr	FWD	93.1	
Swift	95-01	2dr	FWD	93.1	

Engines - SUZUKI

Engine Family	Engine Type	Bore x Stroke (mm)	Disp. (cc)	Head Type	Valves/ Cyl.	Fuel Induction	Weight (lbs)	Notes
	DOHC	74.0 x 75.5	1299	Alum, Crossflow	4	23mm SIR	1800	

GTL Cars - TOYOTA

Model	Years	Body Style	Drive-line	Wheel-base (in)	Notes
Celica	00-05	2dr	FWD	102.4 or 93.7	
Corolla 1200	NA	2dr	RWD	90.0 or 91.9	Rollcage meeting requirements for cars under 1500lbs are acceptable for cars registered prior to 1/1/82
Corolla SR-5	-74	2dr	RWD	91.9	

Corolla SR-5	75	2dr	RWD	93.3	
Corolla Sport Coupe & Lift Back	76-79	2dr, 3dr, 4dr		93.3	
Corolla	80-83	2dr, 3dr	RWD	94.5	
Corolla	84	2dr, 3dr, 4dr	RWD	90.6	
Corolla Sport / Sport Coupe (8V)	84-87	2dr, 3dr	RWD	94.5	
Corolla SR-5 / Sport Coupe	88	2dr	FWD	95.7	
MR2	85-89	2dr	RWD	91.3 or 94.5	Hood bulge allowed.
MR2	91-95	2dr	RWD	91.3 or 94.5	Hood bulge allowed.
MR-2	99-07	2dr	RWD	96.5	
Starlet	81	3dr	RWD	90.6	
Tercel	91-	2dr, 3dr	FWD	93.7/95.3	
Paseo	92-99	3dr	FWD	93.7	

Engines - TOYOTA

Engine Family	Engine Type	Bore x Stroke (mm)	Disp. (cc)	Head Type	Valves/ Cyl.	Fuel Induction	Weight (lbs)	Notes
3K	OHV	75.0 x 66.0	1166	Alum, Non-Crossflow	2	Unrestricted	1610	<i>May use 4Y block only</i>
4K	OHV	75.0 x 73.0	1290	Alum, Non-Crossflow	2	Unrestricted	1645	<i>May use 4Y block only</i>
	OHV	77.5 x 77.0	1452	Alum, Non-Crossflow	2	25mm SIR	1875	
5K	OHV	80.5 x 73.0	1486	Alum, Non-Crossflow	2	25mm SIR	1895	<i>May use 4Y block only</i>
4A-C/L/LC	SOHC	81.0 x 77.0	1587	Alum, Non-Crossflow	2	25mm SIR	1945	
4AG	DOHC	81.0 x 77.0	1587	Alum, Crossflow	4	23.5mm SIR	1945	
<i>4A-F 4A-FE</i>	<i>DOHC</i>	<i>81.0 X 77.0</i>	<i>1587</i>	<i>Alum, Crossflow</i>	<i>4</i>	<i>23.5mm SIR</i>	<i>1945</i>	
G16E-GTS	DOHC 3 Cyl.	87.5 x 89.7	1618	Alum. Crossflow	4	23.5mm SIR	1945	No Turbo, No Direct injection.
4AG	DOHC	81.0 x 85.5	1762	Alum, Crossflow	4	22.5mm SIR	2030	Must run identical deck height as 4AG block.
2T-C	OHV	85.0 x 70.0	1588	Alum, Crossflow	2	24.5mm SIR	1945	
7AFE	DOHC	81.0 x 85.4	1762	Alum, Crossflow	4	22.5mm SIR	2030	Alternate heads 11101-16010 and 11101-16030. 77mm alternate stroke permitted at 2040 lbs.
3TC	OHV	85.0 x 78.0	1770	Alum, Crossflow	2	24mm SIR	2035	
1ZZ	DOHC	79.0 x 91.5	1794	Alum, Crossflow	4	22.5mm SIR	2045	
2ZZ	DOHC	82.0 x 85.0	1796	Alum. Crossflow	4	22.5mm SIR	2050	

GTL Cars - VOLKSWAGEN

Model	Years	Body Style	Drive-line	Wheel-base (in)	Notes
1300/1500/1600 (Bug)	65-69	2dr	rear engine	94.5	
1600 (Bug) / Super Beetle	70-77	2dr	rear engine	95.3	
Rabbit	75-84	3dr, 5dr	FWD	94.5	
Scirocco		3dr	FWD	94.5	
Corrado		3dr	FWD	97.3	
Fox	88-92	2dr	FWD	92.8	
Golf	85-	3dr, 5dr	FWD	94.5	
Golf Mark - IV		3dr, 5dr	FWD	98.9	
Jetta Mk 1		2dr	FWD	94.5	
Beetle	98-01	3dr	FWD		
Fun Cup Beetle (1.8)	All	2dr	RWD	94.5	VW 1.8L, 2V, SOHC, aluminum non-crossflow (no other displacements permitted). VW "Fun Cup" Beetle chassis as spec'd in the Fun Cup rule set, must conform to all other safety related rules per GCR or GTCS. Must have rule set in possession at event. All windows must be "see thru" clear and uncolored.
Cabriolet	75-84	3dr	FWD	94.5	

Engines - VOLKSWAGEN

Engine Family	Engine Type	Bore x Stroke (mm)	Disp. (cc)	Head Type	Valves/ Cyl.	Fuel Induction	Weight (lbs)	Notes
air cooled, flat 4	OHV	77.0 x 69.0	1285	Alum, Non-Crossflow	2	Unrestricted	1520	Siamesed intake port.
air cooled, flat 4	OHV	77.0 x 69.0	1285	Alum, Non-Crossflow	2	Unrestricted	1615	Dual intake port.
water cooled	SOHC	79.5 x 73.4	1457	Alum, non-crossflow	2	25mm SIR	1880	
water cooled	SOHC	76.5 x 80.0	1471	Alum, Non-Crossflow	2	25mm SIR	1885	Alt. Heads: #026-103-373G, 049-103-351C, Eurospec Sports head.
air cooled, flat 4	OHV	83.0 x 69.0	1493	Alum, Crossflow	2	24.5mm SIR	1895	Alt. Heads: #043-101-375H.
air cooled, flat 4	OHV	85.5 x 69.0	1584	Alum, Crossflow	2	24.5mm SIR	1940	Alt. Heads: #043-101-375H.
water cooled	SOHC	79.5 x 80.0	1588	Alum, Non-Crossflow	2	25mm SIR	1945	Alt. Heads: #026-103-373G, 049-103-351C, Eurospec Sports head.
air cooled	OHV	90.0 x 66.0	1679	Alum, Crossflow	2	24mm SIR	1990	Alt. Heads: #043-101-375-H.
water cooled	SOHC	79.5 x 86.4	1715	Alum, Non-Crossflow	2	24.5mm SIR	2010	Alt. Eurospec cyl. head may be used.

water cooled	SOHC	81.0 x 86.4	1780	Alum, Non-Crossflow	2	24.5mm SIR	2040	Alt. Eurospec cyl. head may be used. 8 valve aluminum crossflow head may be used. Must run 24mm SIR at 2050 lbs. as this is a change to the original engines architecture.
water cooled	DOHC	81.0 x 86.4	1780	Alum, Crossflow	4	22.5mm SIR	2040	
water cooled (Production Limited Prep Level 2)	SOHC	81.0 x 86.4	1780	Alum, Non-Crossflow	2	Fuel injection or Two (2) 45mm carbs restricted to 32mm venturis	2040	Comp. Ratio limited to 12.0:1, Valve lift limited to .425". Use of manufacture's 52mm throttle body permitted. Intake manifold inlet may be machined to throttle body mating surface to a depth of no more than one inch. Drysump and alternate rods allowed. Refer to PCS 9.1.5.E.2.a.e,f.g.h.i for limited prep level 2 build specs.
058, 06A and 06B	DOHC	81.0 x 86.4	1780	Alum Crossflow	5	22.5mm SIR	2040	
air cooled	OHV	93.0 x 66.0	1795	Alum, Crossflow	2	24mm SIR	2050	Alt. Heads: #043-101-375-H.
"Fun Cup" Beetle Sealed	SOHC	82.5 x 86.5	1780	Alum, non-Crossflow	2	Weber DMTL 32/34	1850	VW "Fun Cup" Beetle chassis as spec'd in the Fun Cup rule set, must conform to all other safety related rules per GCR or GTCS. Must have rule set in possession at event.

9.1.2.H. GTX CATEGORY SPECIFICATIONS

A. Purpose and Philosophy

The intent of the GTX category is to allow competition of production-based vehicles that compete in professional road racing series in the United States.

The GTX class will have annual balance of performance (BOP) changes. Weights may be adjusted or cars may be subject to changes in intake restrictors to meet periodic professional series changes. Cars may be required to carry data acquisition equipment for review of performance.

B. Eligibility

Vehicles meeting one of the following criteria may compete in the GTX category:

1. FIA GT3:

- Cars will be approved on a case-by-case basis with supporting documentation.
- Competitors must have the FIA GT3 sheet, as approved, available for scrutineers when requested.
- Cars approved to run in accordance with their FIA GT3 specifications must adhere to those specifications.
- See GTX spec line for eligible FIA GT3 cars.

2. SRO GT4:

- Cars will be approved on a case-by-case basis with supporting documentation.
- Competitors must have the SRO GT4 sheet, as approved, available for scrutineers when requested.
- Cars approved to run in accordance with their SRO GT4 specifications must adhere to those specifications.
- See GTX spec line for eligible SRO GT4 cars.

3. TCR:

- Cars will be approved on a case-by-case basis with supporting documentation.
- Competitors must have the TCR sheet, as approved, available for scrutineers when requested.
- Cars approved to run in accordance with their TCR specifications must adhere to those specifications.
- See GTX spec line for eligible TCR cars.

4. GTX Tube Frame:

- GTX tube frame cars will consist of currently classified GT1 cars with improved aerodynamics, wheels, brakes and limited fuel injection systems. Stock car bodies permitted. GTX tube frame cars must weigh 2780 pounds.

5. GTX Grand Am Tube Frame:

- GTX Grand Am tube frame cars will consist of fuel injected tube frame cars classified in the Grand Am Road Racing series from 2007-2013. GTX Grand Am tube frame cars must provide their Grand Am rule set and specifications.

6. Daytona Prototype Gen # 1 (2003-2007):

7. Daytona Prototype Gen # 2 (2008-2011):

8. Daytona Prototype Gen # 3 (2012-2016):

9. Daytona Prototype International (2017-):

10. IMSA GTP (1981-1993):

11. IMSA Camel Lights (1985-1993)

12. Le Mans Prototype 1 (1999-2013)

13. Le Mans Prototype 2 (1999-Present)

14. Le Mans Prototype 3 (2017-Present)

15. Le Mans Prototype Challenge (2009-2018)

16. World Sports Car (1994-1998)

17. Vehicles listed in Table 4 below.

9.1.2. Grand Touring X Category Specifications

C. **Bodywork**

1. FIA or TCR standard bodywork must comply with their associated specifications.
2. GTX tube frame cars shall refer to 9.1.2 GT1 category specifications.
3. Grand Am tube frame cars must comply with the 2007-13 GA specifications.
4. Prototype standard bodywork must comply with their associated specifications.

D. **Aerodynamic Devices**

1. FIA or TCR aerodynamic devices must comply with their associated specifications.
2. GTX tube frame cars shall refer to 9.1.2 GT1 category specifications. Trans Am splitter tunnels and rear wing rules are permitted. Under panning may be installed under the engine bay and rear end housing.
3. Grand Am tube frame cars must comply with the 2007-13 GA specifications.
4. Prototype aerodynamic devices must comply with their associated specifications.

E. **Interiors**

1. FIA or TCR interiors must comply with their associated specifications.
2. GTX tube frame cars shall refer to 9.1.2 GT1 category specifications.
3. Grand Am tube frame cars must comply with the 2007-13 GA specifications.
4. Prototype interiors must comply with their associated specifications.

F. **Chassis**

1. FIA or TCR chassis must comply with their associated specifications.
2. FIA or TCR chassis weight must meet the vehicle weight listed on the associated specification line.
3. GTX tube frame cars shall refer to 9.1.2 GT1 category specifications.
4. Grand Am tube frame cars must comply with the 2007-13 GA specifications.
5. Prototype chassis must comply with their associated specifications.

G. **Engine**

1. FIA or TCR engines must comply with their associated specifications.
2. FIA GT3 cars must compete with the listed restriction in the specification lines.
3. SRO GT4 cars are permitted to compete without restriction.
4. TCR cars are permitted to compete with 100% engine management.
5. GTX tube frame cars shall refer to 9.1.2 GT1 category specifications. Additionally, the following engines are permitted. Engine Management is unrestricted.

362 cubic inch engines include:

- Chevrolet R07
- Ford FR9
- Dodge R6
- Toyota Phase 11

6. Grand Am tube frame cars must comply with the 2007-13 GA specifications.
7. Prototype engines specifications are open.

H. **Cooling System**

1. FIA or TCR cooling systems must comply with their associated specifications.
2. GTX tube frame cars shall refer to 9.1.2 GT1 category specifications.
3. Grand Am tube frame cars must comply with the 2007-13 GA specifications.

I. **Fueling, Piping and Fuel Tanks**

1. FIA or TCR fueling, piping and fuel tanks must comply with their associated specifications.
2. GTX tube frame cars shall refer to 9.1.2 GT1 category specifications.
3. GTX tube frame cars may install fuel injection system, maximum throttle body size 90mm.

4. Grand Am tube frame cars must comply with the 2007-13 GA specifications.
5. Prototype fueling, piping and fuel tanks must comply with their associated specifications.

J. Oil System

1. FIA or TCR oil systems must comply with their associated specifications.
2. GTX tube frame cars shall refer to 9.1.2 GT1 category specifications.
3. Grand Am tube frame cars must comply with the 2007-13 GA specifications.

K. Exhaust System

1. FIA or TCR exhaust systems must comply with their associated specifications.
2. GTX tube frame cars shall refer to 9.1.2 GT1 category specifications.
3. Grand Am tube frame cars must comply with the 2007-13 GA specifications.
4. Prototype exhaust systems must comply with their associated specifications.

L. Electrical

1. FIA or TCR electrical systems must comply with their associated specifications.
2. GTX tube frame cars shall refer to 9.1.2 GT1 category specifications.
3. Grand Am tube frame cars must comply with the 2007-13 GA specifications.
4. Prototype electrical systems specifications are open.

M. Drivetrain

1. FIA or TCR drivetrains must comply with their associated specifications.
2. GTX tube frame cars shall refer to 9.1.2 GT1 category specifications.
3. Grand Am tube frame cars must comply with the 2007-13 GA specifications.
4. Prototype electrical systems specifications are open.

N. Suspension and Steering

1. FIA or TCR suspension and steering must comply with their associated specifications.
2. GTX tube frame cars shall refer to 9.1.2 GT1 category specifications.
3. Grand Am tube frame cars must comply with the 2007-13 GA specifications.
7. Prototype suspension and steering must comply with their associated specifications.

O. Brakes

1. FIA or TCR brakes must comply with their associated specifications.
2. GTX tube frame cars shall refer to 9.1.2 GT1 category specifications, except brake calipers and rotors do not have a size limit.
3. Grand Am tube frame cars must comply with the 2007-13 GA specifications.
4. Prototype brakes specifications are open.

P. Tires and Wheels

1. Tires must conform to 9.3. Tires.
2. FIA or TCR wheels must comply with their associated specifications.
3. GTX tube frame cars shall refer to 9.1.2 GT1 category specifications, wheels may be increased to 12.5" front and 13" rear.
4. Grand Am tube frame cars must comply with the 2007-13 GA specifications.
5. Prototype wheels must comply with their associated specifications.

GTX- FIA GT3

Make	Homologation	Model	Restrictor (mm)	Weight (lbs.)	Notes
Acura	GT3-047	NSX		3015	
Aston Martin	GT3-032	Vantage		2980	
Audi	GT3-038	R8 LMS		2980	
Audi	GT3-017	R8		2900	
Bentley	GT3-035	Continental		3070	
BMW	GT3-043	M6		TBD	
BMW	GT3-023	Z4		2800	
Chevrolet	GT3-045	Corvette C7		3070	
Dodge	GT3-036	Viper		3120	
Ferrari	GT3-029	458		3025	
Ferrari	GT3-044	458		3025	
Lamborghini	GT3-040	Huracan		3015	
McLaren	GT3-037	650S		2915	
McLaren	GT3-N/A	720s		3000	
Mercedes	GT3-042	AMG GT		3090	
Porsche	GT3-041	991		2960	
Nissan	GT3-030	GT-R		3050	

GTX- SRO GT4

Make	Homologation	Model	Restrictor (mm)	Weight (lbs.)	Notes
Aston Martin	GT4-	Vantage		TBD	
Audi	GT4-038	R8		3400	
BMW	GT4-	M4		TBD	
Chevrolet	GT4-031	Camaro		3310	
Ford	GT4-027	Mustang		3490	
Ginetta	GT4-019	G55		2600	
Maserati	GT4-MC	Gran Turismo		3290	
MaClaren	GT4-030	570S		3220	
Mercedes	GT4-xxx	AMG		3270	
Panoz	GT4-xxx	Avezzano		3310	
Porsche	GT4-024	Cayman		2990	
Porsche		718 Club Sport MR GT4	Unrestricted	2900	Must run GT4 Spec.

GTX- TCR

Make	Model	Transmission	Power Level	Weight (lbs.)	Notes
Audi	RS3 LMS	SEQ	100%	2790	
Audi	RS3 LMS	DSG	100%	2715	
Honda	Civic Type R	SEQ	100%	2790	
Hyundai	i30 N	SEQ	100%	2790	
Volkswagen	Golf GTI	SEQ	100%	2790	
Volkswagen	Golf GTI	DSG	100%	2715	

GTX- MISC.

Make	Model	Engine	Restrictor (mm)	Weight (lbs.)	Notes
Chevrolet	C6	7.0L	NA	3250	
Chevrolet	C7 Corvette Grand Sport		NA	3200	May remove "displacement on demand" valve train system
Chevrolet (2017)	Camaro ZL1	LT4 with factory supercharger	NA	3400 lbs.	Factory 10 speed automatic transmission, aftermarket ARP aero kit. Front splitter, dive planes, rear diffuser. DSR sport rear wing Dynamic Suspension. No other modifications or reprogramming allowed.
Factory Five	Type 65 Coupe R	Ford 302/351	NA	2600	
Factory Five	Type 65 Coupe R	Ford 5.0/5.2L	NA	2600	
Ferrari	458 Challenge	4.5L	(2) 50	3150	Must conform to 458 Challenge rules.
Ferrari	488 Challenge	3.9L Twin Turbo	(2) 45	3350	Must conform to 488 Challenge rules.
Ford	FP350S	5.2L	NA	3400	Additional modifications allowed beyond OE spec (parts tbd)
KTM	GT4	X-Bow	NA	2000	Turbocharged 2.5L Audi TFSI I5
Lamborghini	Super Trofeo	5.2L	(2) 41	3000	Must conform to Super Trofeo rules.
Ligier	JS2 R	3.7L	NA	2400	
Lotus	Evora GTS	3.5L 2GR-FE	N/A	2950	OEM Supercharger Pulleys.
Porsche	911 GT America	4.0L	NA	2950	
Porsche	992 GT3 Cup Car	4.0L		2950	
<i>Saleen</i>	<i>S1 Cup</i>		<i>N/A</i>	<i>2800</i>	<i>Must Conform to Saleen S1 cup rules other than tires meeting section 9.3.45 are unrestricted</i>

GCR - 395

9.1.2. GTX Spec Lines

Table 4

Marque	Model	Engine	Restrictor	Min Weight (lbs)	Notes
Radical	SR8	RPE 2.7L V8	NA	1775	
Radical	SR10	Ford Ecoboost 2.3L High Output 4 cyl. Turbo	NA	1825	
Radical	RXC Spyder	Ford Ecoboost 3.5L V6 Turbo / RPE 2.7L V8	NA	2400	
Radical	RXC 600R	Ford Ecoboost 3.5L V6 Turbo	NA	2675	
Revolution	A-One	Ford 3.7L V6	NA	1925	
Superlite	Aero	Sealed Katech GM LS3 6.2L V8	NA	2180	
Superlite	SL-C	GM LS7 7.2L V8	NA	2625	Must comply with specifications found here: https://www.scca.com/pages/technical-forms-and-downloads
Wolf	GB08 F1	Ford 52XS V8	NA	1725	Must comply with specifications found here: https://www.scca.com/downloads/63678-wolf-gb08-f1-vts/download

9.1.3. IMPROVED TOURING CATEGORY

These specifications are part of the SCCA GCR and all automobiles shall conform with GCR Section 9.

A. PURPOSE

Improved Touring classes are intended to provide the membership with the opportunity to compete in low cost cars with limited modifications, suitable for racing competition. To that end, cars will be models, as offered for sale in the United States. They will be prepared to manufacturer's specifications except for modifications permitted by these rules.

Cars from the previous four (4) model years and the current model year will not be eligible. No car older than a 1968 model of any listed vehicle will be accepted for Improved Touring competition. Turbocharged/Super-charged cars are not eligible for Improved Touring competition. Cars need not be eligible for state license or registration.

Any year/model B-Spec prepared vehicle may compete in ITB as long as it is completely compliant with current B-Spec rules for that vehicle. If the participant desires to race the vehicle at an IT prep level, it must completely conform to the intended spec line including model year.

B. INTENT

It is the intent of these rules to restrict modifications to those useful and necessary to construct a safe race car. This class is intended to allow a variety of popular, inexpensive cars to be eligible; however, those determined by the Club to be outside of these parameters will not be classified. Entrants shall not be guaranteed the competitiveness of any car, and competition adjustments, other than as outlined in section 9.1.3.C, are not allowed. Other than those specifically allowed by these rules, no component or part normally found on a stock example of a given vehicle may be disabled, altered, or removed.

Note: This new statement of purpose and intent eliminates the dual purpose version which does not accurately reflect the current IT technology. In addition, it emphasizes the philosophy that we will give you a place to race your car and have fun, but not guarantee that you will be competitive.

C. SPECIFICATIONS

The SCCA shall publish the Improved Touring Category Specifications (ITCS) containing the officially recognized specifications for each car eligible to compete in the Improved Touring Category during the calendar year.

To maintain the stock basis of Improved Touring, updating and/or backdating of components is only permitted within cars of the same make, model, body type (e.g., sedan, station wagon, convertible, etc.), and engine size as listed on a single Improved Touring Specification Line. Any updated/backdated components shall be substituted as a complete assembly (engine long block, transmission/transaxle, induction system, differential/axle housing). No interchange of parts between assemblies is permitted, and all parts of an assembly shall be as originally produced for that assembly (such parts may, however, be coated, painted or plated). Additionally, it is not permitted to "create" a model or type of car by updating or backdating assemblies. Parts or assemblies which the manufacturer lists in factory service manuals or parts guides for a particular model which supersede or replace original parts or assemblies are permitted. Documentation of the superseding parts or assemblies must be supplied to the Road Racing Department and the appropriate part numbers listed on that particular model's specification line.

Stock replacement parts may be obtained from sources other than the manufacturer provided they are the exact equivalent of the original parts. The intent of this rule is to allow the competitor to obtain replacement parts from standard industry outlets, e.g., auto-parts distributors, rather than from the manufacturer. It is not intended to allow parts that do not meet all dimensional and material specifications of new parts from the manufacturer.

To establish the originality and configuration of the vehicle, each driver/entrant shall have a factory shop manual for the specific make, model, and year of the automobile. This manual shall be presented when so requested at any technical inspection. If the factory shop manual is no longer available from the vehicle manufacturer, an aftermarket shop manual will be accepted with proof of non-availability from the vehicle manufacturer. The burden of proof lies upon any participant seeking action against another participant.

During the initial vehicle classification process, the Club shall assess vehicle performance factors such as – but not limited to – manufacturer's published specifications for engine type, displacement, horsepower, and torque; vehicle weight; brake type and size; suspension design; and aerodynamic efficiency. Based only on such clearly measurable physical factors, a minimum allowable weight shall be established.

If at any time an error is discovered in the physical factors used to assess a vehicle's weight or an error was made during the application of the weight-assignment process, the error may be corrected. Racing history of this particular model may be considered and a performance compensation adjustment may be included in the new minimum weight.

On rare occasion—and only after careful review of the actual racing performance of a particular make/model/year of vehicle—the Club may reclassify a vehicle, revise a vehicle's minimum allowable weight, and/or in the most extreme situation an intake restrictor may be required. Such an action shall be taken solely for the purpose of restoring equity within the vehicle's class.

D. AUTHORIZED MODIFICATIONS

9.1.3. Improved Touring Category Specifications

The following modifications are authorized on all Improved Touring Category cars. Modifications shall not be made unless authorized herein. No permitted component/modification shall additionally perform a prohibited function.

1. Reciprocating Engines (only)

- a. All air entering the intake tract shall pass through the carburetor or fuel injection air inlet (throttle body or bodies). All air must also pass through the stock air metering device, eg MAF, or AFM, etc., if so equipped. Air intake source shall be within the confines of the engine compartment or stock location.
- b. The original, standard intake manifold shall be maintained. No porting or polishing of the manifold is permitted except as allowed by these rules.
- c. Carbureted engines
 1. Any carburetor jets, needles, and/or metering rods may be used in the stock or approved optional carburetor(s). Alternate needle valves are permitted. Removable jets may be replaced or resized. The number of carburetors may not be changed from standard. No venturi (including secondary or auxiliary) of any carburetor may be modified in any way.
 2. Certain cars have optional carburetors listed. On these cars, adaptor(s) may be used to mount the optional carburetor(s), provided the adaptor serves no performance function, i.e., plenum chamber, etc.
 3. External throttle linkage to the standard or optional carburetor(s) may be modified or changed. Choke mechanisms, plates, rods, and actuating cables, wires, or hoses may be removed. Method of operating the secondary throttle may not be modified. (previously D.1.a.2)
 4. All single carbureted cars may fit an approved optional carburetor. Approved optional carburetors are:

1 Weber 32 DGV/DGAV/DGEV

1 Weber 32/36 DGV/DGAV/DGEV

1 Weber 32/36 DFV/DFAV/DFEV

1 Weber 34 DAT/DATR/DATRA/DMTR

1 Holley-Weber 5200

Weber carburetor(s) with swaged fuel inlet fitting shall be replaced by drilling and tapping the carburetor body for a threaded fitting. Fuel injection manifold(s) shall not be replaced with carburetor manifold(s) from a different model, type, or engine size in order to fit an optional carburetor. All cars equipped with multiple carburetors shall run the original induction system, except for modifications allowed by the Authorized Modifications Sections above in these rules.

- d. Fuel injected engines
 1. The engine management computer may be altered or replaced. A throttle position sensor and its wiring may be added or replaced. A MAP or MAF sensor and its wiring may be added. Other existing sensors, excluding the stock air metering device, may be substituted for equivalent units.
 2. External throttle linkage may be modified or changed. Electronic control of the throttle is forbidden unless fit as stock. The method of operating any secondary throttle may not be modified. Electronically actuated throttle bodies may not be replaced by mechanical units unless specified on the vehicle's spec line. Requests for alternate throttle bodies will be considered on a case by case basis.
 3. Wires and connectors in the engine wiring harness may be modified or replaced.
- e. Any fuel pump(s)/filter(s) may be used. Pump(s) may be relocated, but shall not be located in the driver/passenger compartment. If a mechanical pump is replaced, a blanking plate may be used to cover the original mounting location. Fuel line(s) may be replaced, relocated, and given additional protection. If the relocated line(s) passes through the driver/ passenger compartment, it/they shall be metal or metal braided, and shall be securely fastened. An external fuel pump pressure regulator may be installed.
 1. Fuel system evaporative emissions systems may be removed or replaced. Use or addition of rollover spill protection (i.e. check valve) is required.
- f. Air cleaner assemblies may be modified, removed or replaced. Velocity stacks, ram air or cowl induction are not permitted unless fitted as original equipment. Air intake source shall be within the confines of the engine compartment or stock location. Air intake hoses, tubes, pipes, resonators, intake mufflers, housings, etc., located ahead of the carburetor/throttle body may be removed or

9.1.3. Improved Touring Category Specifications

substituted. On cars so equipped, the air metering/measuring device (i.e. air flow meter, air mass meter, MAF) must be operational and shall not be modified.

- g. Exhaust emission control air pumps, associated lines, nozzles, and electrical/mechanical EGR devices may be removed. If such items are not removed, they shall not be modified in any way. If EGR devices/nozzles are removed from a cylinder head or manifold, any holes remaining shall be completely plugged. Water to an intake manifold may be blocked or removed as part of the emission system.
 - 1. If fitted, catalytic converter(s) may be removed.
 - 2. Those vehicles which have emission control devices removed and which are not registered and licensed for street operation may use any gasoline meeting the requirements of GCR Section 9.3 Fuel.
 - 3. Those vehicles registered and licensed for street use shall use the fuel specified by the workshop/owner's manual.
- h. Any ignition system which utilizes the original distributor for spark timing and distribution is permitted. Internal distributor components and distributor cap may be substituted. Crankfire ignition systems are prohibited unless fitted as original equipment. Any spark plugs and ignition wires may be used. Ignition timing is unrestricted. Batteries may be replaced with those of alternate manufacture provided they are of similar amp-hour capacity and weight and are fitted in the standard location. Additional battery hold-down devices may be used, and are strongly recommended. Cars originally equipped with two (2) 6-volt batteries may replace them with one (1) 12-volt battery installed in either of the original battery locations.
- i. Cars originally equipped with plastic/phenolic timing gears may substitute metal gears, provided that the design, dimensions, and cam timing remain as stock. Adjustable timing gears are prohibited on all cars unless fitted as stock.
- j. Any exhaust header and exhaust system may be used. Exhaust shall exit behind the driver, and shall be directed away from the car body. Original exhaust system heat shields may be removed. A suitable muffler may be necessary to meet sound control requirements.
- k. Oil pans, pan baffles, scrapers, windage trays, oil pickups, lines, and filters are unrestricted. Oil and power steering hoses may be replaced with metal braided hose (i.e. Aeroquip). A pressure accumulator/"Accusump" may be fitted. The location of the filter and accumulator are unrestricted, but they shall be securely mounted within the bodywork. All oil lines that pass into or through the driver/passenger compartment shall be metal or metal braided hose. Dry sump systems are prohibited unless fitted as standard equipment. Engine oil and oil additives are unrestricted.
- l. Oil catch tanks are permitted. All engine breathers or vapor recirculation lines, if disconnected, shall vent to a catch tank of one (1) quart minimum capacity. Such catch tanks shall not be mounted in the driver/passenger compartment. Original valve cover(s) may be modified to alter or to add breather/filler.
- m. Engines may be bored to a maximum of .040 inch over standard bore size. Factory replacement pistons or their equivalent with the exception of diameter shall be used. Cast or forged equivalent pistons shall provide the same dome/dish/valve relief configuration, ring groove width and spacing, pin height relationship, weigh no less than the factory standard bore pistons. Piston rings are unrestricted.
- n. Balancing and "blueprinting" of the engine assembly are permitted. Lightening of parts beyond the minimum material removal necessary to balance is prohibited.
- o. Manifold and cylinder head port matching is permitted. No material may be removed further than one (1) inch in from the manifold to cylinder head mounting face(s). Carburetor mounting surface(s) shall not be modified, and external dimensions of the cylinder head or intake manifold may not be reduced to facilitate internal porting. Two piece manifolds are not intended to be port matched at their intermediate point.

Valve guide material is unrestricted.

Where a factory specification for original cylinder head thickness can be proven, a tolerance of .025 inch less than the service limit will be permitted. Under no circumstances may the compression ratio be increased by more than one-half (.5) point. An offset key may be used to return cam timing to the factory specifications. On engines with dual overhead camshafts, this key shall be installed on the crankshaft only.

- p. Any clutch disc and pressure plate of stock diameter may be used, provided that they shall be bolted directly to an unmodified stock flywheel. Balancing of the flywheel/clutch/pressure plate assembly is permitted. Lightening of the flywheel beyond the minimum material removal necessary to balance is prohibited. The addition of an external scattershield per GCR 9.3 Scattershield/Chain Guards, is permitted and recommended. Cars originally equipped with hydraulically-actuated

9.1.3. Improved Touring Category Specifications

clutches may replace the clutch hydraulic lines with steel lines or Teflon-lined metal braided hose.

- q. Alternate water pump, alternator, power steering, and crankshaft pulleys of any diameter or material may be used. Type of accessory drive (e.g., V-belt, toothed belt, etc.) shall remain as stock.
- r. Hardware items (nuts, bolts, etc.) may be replaced with similar items performing the same fastening function(s). Cylinder head gasket(s) may be replaced with any gasket(s) having the same or greater compressed thickness as stock. Other engine gaskets are unrestricted. Engine drive belts may be replaced with others of equivalent OEM specifications.
- s. All engine components not otherwise listed in these rules shall meet factory specifications for stock parts. Where factory specifications are absent or unclear, e.g., cylinder head thickness and/or combustion chamber depth, etc., the Club may establish an acceptable dimension and/or allowable tolerance from stock. Engine compartment cosmetic trim pieces may be removed.
- t. The application and/or use of any painting, coating, plating, or impregnating substance (i.e. anti-friction, thermal barrier, oil shedding coatings, chrome, anodizing, etc.) to any internal engine surface, including intake manifold internal surface, is prohibited.
- u. One (1) engine stayrod may be added.
- v. To allow commonly available engine mount aftermarket inserts, replacement units, or "window weld" like solutions without allowing solid metal or rigid materials or bearings that could result in the driveline becoming a stressed member of the chassis, the following is permitted. Engine, transmission, differential or any other driveline mounts may be replaced. Mounts may use only stock mounting points, must maintain stock location and orientation of the mounted component, and must be non-rigid. Rubber or other inserts in stock mounts may be replaced with any other non-metallic material.

2. Rotary engines (only)

- a. Any porting or polishing is prohibited.
- b. Rules D.1.a.-k., and D.1.m.-r., also apply.
- c. Crankshaft pulley is unrestricted.
- d. Alternate rotor seals and springs are permitted.
- e. Alternate mounts are permitted as in 9.1.3.D.1.s.

3. Turbocharged engines (only)

The following rules are specific to cars equipped from the factory with turbocharged engines and classified in the ITCS. Section D.1 applies except where there are disagreements between section D.1 and these rules (e.g Exhausts and Intakes), in which event these rules take precedence.

- a. The Turbo must be identical to the original stock turbo fitted from the factory.
- b. Exhaust system shall remain as stock from the cylinder head to the turbo outlet. Exhaust system tubing after the turbocharger may be no larger than the factory exhaust tubing. Catalytic converters may be removed.
- c. All intake tubing from the air cleaner to the turbo and from the turbo to the throttle body including any intercooler(s) must remain stock or stock replacement parts. Stock air metering device must be retained in its original location and housing.
- d. Engine control unit (ECU) and calibration (AKA tune or map) must remain stock, no aftermarket tuning, or alternate ECU is permitted. Factory ECU updates such as those done in accordance with a recall or service bulletin from the vehicle manufacturer are permitted.
- e. A port for measuring intake manifold pressure must be provided and available for scrutineering use. This port shall be capped or plugged when on track.

4. Engine Cooling System

- a. Any radiator may be used, provided it is mounted in the original location, maintains the same plane as the original core and requires no body or structure modifications to install. No new openings created by fitting an alternate radiator may be used for the purpose of ducting air to the engine.
- b. Oil cooler(s) may be added or substituted. Location within the bodywork is unrestricted, provided that it/they are not mounted within the driver/passenger compartment.
- c. Cooling fans may be removed or replaced. Electrically operated fans with manual or automatic actuation may be fitted.
- d. Thermostats may be modified, removed, or replaced with blanking sleeves or restrictors.
- e. Climate control systems may be removed in whole or in part.
- f. Screens of one-fourth (1/4) inch minimum mesh may be mounted in front of the radiator and/or oil

cooler(s) and contained within the bodywork.

- g. Engine coolant fluid, coolant/heater hoses and clamps may be substituted. Heater hoses may be plugged or bypassed (looped) or removed. Heater water control valve(s) may be added or substituted. Heater core may be removed.
- h. Non-pressurized coolant overflow tanks may be replaced with aftermarket units. These replacements must have a minimum volume of 1 pint, and a maximum not to exceed the larger of the stock tank or 2 quarts. Tanks may not be mounted in the driver/passenger compartment.

5. Transmission/Final Drive

- a. Any final drive ratio is permitted provided it fits the stock differential/transaxle housing without modification to the housing.
- b. Any limited-slip or locked differential is permitted. In AWD cars, the center differential must remain stock.
- c. No alteration to the stock transmission gear ratios for the make, model, type and engine size of automobile is allowed.
- d. Hardware items (nuts, bolts, etc.) may be replaced by similar items performing the same fastening function(s).
- e. Shift lever may be bent or cut above tunnel or floor. The use of a Short Shift Kit is permitted.
- f. Traction control must be disabled.

6. Chassis

a. Ride Height

- 1. Minimum ride height is five (5) inches, to be measured without driver at the lowest point of the rocker panel, but not to include welded seams or fasteners.

b. Springs and Shock Absorbers

- 1. Shock absorbers may be replaced provided that the replacements (a) attach to the original mounting points, and (b) are of a non-remote-reservoir design. The number and type (e.g., tube, lever, etc.) of shock absorbers shall be the same as stock. The interchange of gas and hydraulic shock absorbers is permitted. External adjustments of shock control shall be limited to two (2). No shock absorber may be capable of adjustment while the car is in motion.
- 2. MacPherson strut equipped cars may substitute struts, and /or may use alternate inserts. Spring seat ride height location may be altered from stock. Remote reservoir struts and/or inserts are prohibited. External adjustments of shock control shall be limited to two (2).
- 3. Springs of any origin may be used, provided they are of the same number and type as originally fitted, i.e., coil, leaf, torsion bar, and that they shall be installed in the original location using the original system of attachment. The joining of two or more coil springs by any means is prohibited. The use of tender springs are permitted. Shackles or spacers may be used to adjust leaf spring ride height. Spacers, including threaded units with adjustable spring seats, may be used with coil springs. Coil over threaded body shock/struts are permitted.
- 4. Spacers or lowering blocks may be used between leaf springs and the point(s) of attachment to the axle housing.

c. Suspension Control

- 1. Any anti-roll bar(s), traction bar(s), panhard rod or watts linkage may be added, removed, or substituted, provided its/their installation serves no other purpose. The mounts for these devices may be welded or bolted to the structure of the vehicle. No suspension control mount or component shall be located in the trunk or driver/passenger compartment unless installed by the manufacturer as original equipment. Traction bars used to control axle rotation shall be one piece solid bar or tube. Spherical bearing rod ends may be fitted.
- 2. On those cars where an anti-roll bar also acts as a suspension locating device, the diameter of the bar may be changed. Bar attachment and pivot points on the chassis and control arms shall remain as stock, except as provided for in these Rules, Sections D.5.d.1., and 3.

d. Suspension Mounting Points

- 1. Cars equipped with MacPherson strut suspension may decamber wheels by the use of eccentric bushings at control arm pivot points, by the use of eccentric bushings at the strut-to-bearing-carrier joint, and/or by use of slotted adjusting plates at the top mounting point. If slotted plates are used, they shall be located on existing chassis structure and may not serve as a reinforcement for that structure. Material may be added or removed from the top of the strut tower to facilitate installation of adjuster plate.
- 2. On other forms of suspension, camber adjustment may be achieved by the use of shims and/or eccentric bushings.

9.1.3. Improved Touring Category Specifications

3. All forms of suspension may adjust caster by means of shims or eccentric bushings. Additionally, MacPherson strut-equipped cars may adjust caster at the upper strut mounting point/plate.
 4. Independent rear suspension mounting holes may be slotted and reinforced for purposes of camber and/or toe adjustment. Material may be removed from the top of the strut tower to facilitate installation of adjuster plate.
 5. Cars may add one (1) front stayrod, located in one of the following areas:
 - A. Between lower suspensions mounting points.
 - B. Between the upper strut towers on Mac-Pherson strut equipped cars.
 - C. Between upper front shock absorber mounts on cars with other forms of suspension.
 6. Bushing material, including that used to mount a suspension subframe to the chassis, is unrestricted. This includes the use of spherical bearings, so long as no suspension component is modified to facilitate their installation. Retention of spherical bearings by use of tack welds is allowed, as long as the welds serve no other purpose.
 7. Rubber bump stops may be removed, modified, or replaced, but their chassis mounts, brackets, etc., may not be altered in any way.
 8. No other relocation or reinforcement of any suspension component or mounting point is permitted.
 9. Hardware items (nuts, bolts, etc.) may be replaced by similar items performing the same fastening function(s).
- e. Power Steering
1. Power steering may be disabled or removed in whole or in part. Hydraulic steering assist pumps, valves, reservoirs, hoses, and heat exchangers, and electric steering assist motors, sensors, and controllers may be removed. Hydraulic hoses may be looped and a reservoir may be added to maintain a supply of fluid for depowered racks. Electric systems may be disconnected. Openings to the mechanical steering system created by this allowance may be plugged or filled. If power steering is present, it must be the system fitted as stock for the vehicle without modification except where expressly permitted otherwise by these rules.
 2. Power steering coolers or cooling systems may be added or replaced. Location within the bodywork is unrestricted, provided that it/they are not mounted within the driver/passenger compartment. Hydraulic hoses are unrestricted.

7. Brakes

- a. Brake pads, brake linings, and brake fluid are unrestricted.
- b. Backing plates and dirt shields may be ventilated or removed. Air ducts may be fitted to the brakes, provided that they extend in a forward direction only, and that no changes are made in the body/structure for their use. Brake rotors and drums shall not be modified other than for truing within manufacturer's specifications.
- c. Brake lines may be replaced with steel lines or Teflon-lined metal braided hose. Lines/hoses may be relocated and maybe given additional protection. Brake fittings, adaptors, and connectors are unrestricted. Brake system circuitry may be revised, but no modification or substitution of the original master cylinder, its location, or mounting is permitted. Cars with antilock braking systems must completely disable or remove the operational components of the system. It is permissible to disable ABS system function by removing or disconnecting a minimum of three wheel speed sensors. Components that perform no other function than to assist in the activation of the ABS portion of the brake system may be removed.
- d. Cars equipped with antilock brakes may keep the stock ABS system provided all ABS related components, including electronic controls and software, are maintained as stock. Cars with ABS must add a percentage of the spec line weight to the minimum weight as follows:

Class	Additional Weight Required
ITR	0%
ITS	0%
ITA	2%
ITB	2%
ITC	4%

9.1.3. Improved Touring Category Specifications

- e. Brake proportioning valves may be used provided that they are of the in-line, pressure limiting type.
- f. Parking brakes, mechanisms, and actuating components may be removed.

8. Wheels/Tires

- a. Any wheel/tire may be used within the following limitations:
 1. Knockoff/quickchange type wheels are prohibited. Wheels must be made of metal.
 2. Tires must conform to GCR section 9.3. Tires.
 3. Track may be changed to accommodate larger tires, provided that there is safe tire/fender/chassis clearance under all conditions of steer, bump, and rebound. Wheel spacers are permitted.
 4. Tire tread (that portion of the tire that contacts the ground under static conditions) shall not protrude beyond the fender opening when viewed from the top perpendicular to the ground. To determine compliance, the vehicle should be rolled through a powdered substance, as raced with driver, in order to indicate the tire tread contact patch under static conditions.
 5. Any wheel stud, bolt, and or nut is permitted.
 6. Maximum allowable wheel rim and tire section widths are as follows:

Class	Max. Rim Width (inches)	Max. Tire Section Width
ITR	9.0	275
ITS	8.0	225
	7.0	275
ITA	7.0	225
ITB	7.0	205
	6.0	225
ITC	6.0	225

- 7. Original equipment wheels supplied by the manufacturer for the year(s), make, model and trim level(s) of the car as listed on the spec line may be used regardless of size unless noted otherwise on the vehicle's spec line. Note that this allowance does NOT permit the use of tires of a greater section width or aftermarket wheels of the stock size when larger than listed in D.7.1.a.6.

9. Body/Structure

- a. Fenders and wheel openings shall remain unmodified. It is permitted to roll under or flatten any interior lip on the wheel opening for tire clearance. Cars with plastic/composite fenders may remove any interior wheel opening lip, but the resulting material edge shall be no thinner than the basic fender material thickness. Non-metallic inner fender liners may be removed.
- b. A front spoiler/air dam is permitted. It shall not protrude beyond the overall outline of the body when viewed from above perpendicular to the ground, or aft of the forward most part of the front fender opening. This body outline does not include bumpers or bumper mounts. The spoiler/air dam shall be mounted to the body, and may extend no higher than four (4) inches above the horizontal centerline of the front wheel hubs. It shall not cover the normal grille opening(s) at the front of the car. Openings are permitted for the purposes of ducting air to the brakes, cooler, and radiator. Dealer installed or limited production front/rear spoilers/air dams/wings are prohibited. The spoiler shall have no support or reinforcement extending aft of the forward most part of the front fender wheel opening.

NOTE: Integrated bumper assemblies are defined as those designs where an external non-metallic bumper cover completely encloses the primary energy-absorbing bumper and where this cover could be installed in its normal position with the underlying bumper removed. On cars with integrated bumpers, the front spoiler or air dam may be attached to the bumper cover.

Where an air dam/spoiler is used, two total openings may be cut in the front valance to allow the passage of up to a three (3) inch diameter duct leading to each front brake/rotor assembly.

Where no air dam/spoiler is used, two total openings of a maximum size five (5) inches by seven (7) inches maybe cut in the front valance so that brake ducts can be added with a three (3) inch diameter hose leading to each front brake/rotor assembly.

- c. No part of the car, except for the exhaust system and suspension components, shall be lower than the lowest part of the wheel rims.
- d. Windshield clips and rear window straps per the GCR Section 9.3 Windshield Clips/Rear Window

9.1.3. Improved Touring Category Specifications

Straps, are permitted and recommended.

- e. Hood and trunk pins, clips, or positive action external latches are permitted. Stock hood and trunk latches may be disabled or removed; if so, some positive action external fastening method shall be used. Engine compartment insulation may be removed.
- f. Convertible tops and attaching hardware shall be completely removed. Note: Convertible model cars are permitted if they were only available as convertibles (e.g. MG Midget), or if the convertible model is specifically allowed on the vehicle spec line. Convertible models may compete with their respective OEM or aftermarket hardtop that retains the OEM silhouette. Rear glass in such hardtops may be of automotive safety glass or polycarbonate material. All latches shall be replaced with positive fasteners. Manual and electric sunroofs, original or aftermarket, where the panel is not normally removable shall be retained and run in the closed position. Components (motors, cables, rails) may be removed provided the panel is securely retained. Removable sunroof or T-top may be retained if bolted or welded in, or removed completely. Glass sunroofs must be removed. All sunroofs may be replaced with panel or replacement skin of the same material as the original surrounding roof material.
- g. Any paint scheme and markings meeting GCR specifications are permitted.
- h. All chassis/structural/electrical repair, if performed, shall be in concurrence with factory procedures, specifications, and dimensions. Unless specifically authorized by the manufacturer for repair or allowed by these rules, no reinforcement, i.e., seam welding, material addition, etc., is permitted.
- i. Body repair shall be performed using every reasonable effort to maintain stock body contours, lips, etc. Any body repair modification having as its purpose increased clearance is prohibited. Stock trim/molding pieces may be replaced with parts of alternate material provided they have the same dimensions as stock.
- j. Radio antennas may be removed. Antennas for two-way radio may be added.
- k. Body side moldings, rocker panel moldings and wheel opening trim pieces (not stock flares) may be removed. Resulting holes may be filled.
- l. A maximum of two (2) jacking points may be reinforced. The reinforcement may be no larger than 12x6x6 inches and may not serve any additional purpose. Any added material must fit within the minimum ride height.

10. Driver/Passenger Compartment - Trunk

- a. All seats and seat brackets may be removed.
- b. Any steering wheel except wood rimmed types may be used. Any shift knob may be used.
- c. Gauges and instruments may be added, replaced, or removed. They may be installed in the original instrument(s) location using a mounting plate(s), or any other location using a secure method of attachment. Other than modifications made to mount instruments and provide for roll cage installation, the remainder of the dash "board" or panel shall remain intact. Switches to activate the ignition, the lights, the windshield wipers, the starter and other accessories located within the passenger compartment may be replaced and their location changed.
- d. Any interior or exterior mirrors may be used.
- e. Front passenger seat, rear seat back, rear seat bottom cushion(s), sun visors, seat belts and their attaching hardware and bracketry may be removed. In any automobile where allowed removal of rear seats, upholstery, etc., creates an opening between the driver/passenger compartment and an exposed gas tank, fuel cell, or part thereof, a metal bulkhead which completely fills such opening shall be installed (See GCR 9.3 Fuel Cell Specifications).
- f. Carpets, center consoles, floor mats, headliners, sun roof liner and frame, dome lights, grab handles, and their insulating, attaching or operating mechanisms may be removed. Sound deadening (melt sheets) and undercoating may be removed. Front door windows and their operating mechanisms may be removed. All other interior trim panels, except the dashboard, may be removed. Door interior trim panels may be removed or replaced with 0.060 - 0.065" aluminum securely attached to the door. Other than to provide for the installation of required safety equipment or other authorized modifications, no other driver/passenger compartment alterations or gutting are permitted.
- g. Any removable covers used to cover spare tires, tools, bins, etc., may be removed along with attaching hardware and bracketry. Carpets, mats, and their insulating or attaching materials may be removed from the floor and recesses of the cargo/ trunk/spare tire area.
- h. Dead pedal/foot rest and heel stop may be added.
- i. Ducting may be added to provide fresh air to the driver/passenger compartment. This ducting shall be located in the driver and/or passenger window area, with no modifications to the bodywork. Only the cooling duct is permitted in the window area. It is not permitted to otherwise fill in the

9.1.3. Improved Touring Category Specifications

window area. The complete duct assembly in the plane of the window shall be no larger than 100 square inches.

- j. Audio systems may be removed in their entirety. Two-way radios are permitted.
- k. Modifications may be made to the foot pedals to improve the comfort of and control accessibility to the driver.
- l. Ballast may be used. All ballast shall be located in the front passenger footwell/seating area, aft of the firewall and any footwell angle, and forward of the aft-edge of the forward-most passenger door opening, unless otherwise specified on the vehicle's spec line. OEM front passenger seat location.
 - 1. It shall be in segments no heavier than fifty (50) pounds, and shall be capable of being removed to be weighed apart from the car.
 - 2. Each segment shall be fastened with a minimum of two (2) one-half (1/2) inch bolts and positive lock nuts of SAE Grade 5/Metric 8.8 or better, and shall utilize large-diameter, load-distributing washers.
 - 3. Holes may be drilled in the front passenger footwell/seating area floorpan for purposes of mounting the ballast (only), and said floorpan may be reinforced as required for the same purpose.
- m. If equipped, the vent window and its supporting structure may be removed.
- n. Windshield washer systems, rear windshield wiper systems, cruise control systems, horns and the wiring associated wiring with any of these may be removed. Any holes left in the body must be covered or plugged.
- o. Floor pans and transmission tunnels may be modified to aid in positioning the driver's seat for improved driver comfort and access to controls. The seat mounts may extend no lower than the lowest part of the stock floor pan in the modified area, and no other components of the car may be modified to accommodate this allowance. Modifications may extend no further than 6 inches from the perimeter of the installed seat in any direction. Any resulting holes shall be closed with sheet metal no thinner than stock. This rule is intended to improve driver comfort while sitting no lower than the stock floor, such as notching the tunnel to floor radius to allow the seat to be centered to the steering wheel, and NOT as an allowance for dropped, smoothed, or replaced floor boards other than as needed to accommodate the seat mounting as described.

11. Electrical

- a. Wiring specific to any component permitted to be removed, or disabled, may be removed. Required wiring rendered redundant by allowed modifications (i.e. engine management harness) must remain.

12. Safety

- a. The stock fuel tank may be replaced with a fuel cell. The fuel cell shall be located within twelve (12) inches of the original fuel tank location. Additional reinforcement may be added to support the fuel cell, but such reinforcement shall not attach to the roll cage. Floor pan may be modified for installation. See GCR Section 9.3 Fuel Cell Specifications, for requirements.
- b. Spare wheels and tires may be removed.
- c. Air bag systems shall be disarmed and may be removed.
- d. If so equipped, the rolling door lock mechanism may be deactivated by unplugging the components.

E. MEASUREMENT STANDARDS

Measurement standards shall be as specified in Appendix G. with the following exceptions: wheelbase has a tolerance of + 2"/- 1".

ITR	Engine Type	Bore x Stroke(mm)/ Displ. (cc)	Weight (lbs)	Notes:
Acura Integra Type R (97-98/00-01)	4 Cyl DOHC	81.0 x 87.2 1797	2535	
Acura Legend (91-95)	6 Cyl SOHC	90.0 x 84.0 3206	3135	
Acura RSX-S (02-04)	4 Cyl DOHC	86.0 x 86.0 1998	2595	
Acura RSX-S (05-06)	4 Cyl DOHC	86.0 x 86.0 1998	2605	
Acura TSX (04-08)	4 cyl DOHC	87.0 x 99.0 2345	2760	
Audi A3 (07-09)	4cyl Turbo	82.5 x 92.8 1984	2950	
Audi TT (00-06)	4cyl Turbo	81.0 x 86.4 1781	2635	
Audi TT Quattro 2000	4cyl Turbo	81.0 x 86.4 1781	2635	
Audi TT Quattro 2001-2006	4cyl Turbo	81.0 x 86.4 1781	3290	
BMW 128i (08-13)	6 Cyl DOHC	85.0 x 88.0 2996	3210	
BMW 325i/is (92-95)	6 Cyl DOHC	85.0 x 88.0 2494	2765	Trunk mounted fuel cell may be used but shall be no larger than stock.
BMW 325i/ci Coupe E46 (01-06)	6 Cyl DOHC	84.0 x 75.0 2494	2800	
BMW 328i/is E36 (96-99)	6 Cyl DOHC	84.0 x 84.0 2793	2740	Trunk mounted fuel cell may be used but shall be no larger than stock.
BMW 328i/ci E46 (99-00)	6 Cyl DOHC	84.0 x 84.0 2793	2900	
BMW 330i/ci E46 excludes ZHP (01-06)	6 Cyl DOHC	84.0 x 89.6 2979	3290	Trunk mounted fuel cell may be used but shall be no larger than stock.
BMW 535i (E34) (89-93)	6 Cyl DOHC	92 x 86 3430	2925	
BMW M3 (88-91)	4 Cyl DOHC	93.5 x 84.1 2302	2650	Trunk mounted fuel cell may be used but shall be no larger than stock.
BMW Z3 2.8L Coupe & Rdstr. (97-00)	6 Cyl DOHC	84.0 x 84.0 2793	(97-98): 2740 (99-00): 2800	

ITR	Engine Type	Bore x Stroke(mm)/ Displ. (cc)	Weight (lbs)	Notes:
BMW Z3 3.0L Coupe & Rdstr. (01-02)	6 Cyl DOHC	84.0 x 89.6 2979	3240	
BMW Z4 2.5 (03-06)	6 Cyl DOHC	84.0 x 75.0 2494	2795	
Chevrolet Camaro (83-86)	V-8 OHV	94.9 x 88.4 5000	2890	No fuel injection or engine parts specific to the fuel injected models allowed.
Chevrolet Camaro (87-92) (exclude BC4 Package)	V-8 OHV	94.9 x 88.4 5000	3465	1LE package allowed.
Chevrolet Camaro (83-86)	V-8 OHV	94.9 x 88.4 5000	2890	No fuel injection or engine parts specific to the fuel injected models allowed.
Chevrolet Camaro (96-02)	V-6 OHV	96.5 x 86.36 3790	2815	
Chevrolet Corvette (1984)	V8 OHV	101.6 x 88.4 5700	3200	
Dodge Stealth R/T (non-turbo FWD) (91-96)	V-6 DOHC	91.2 x 79.5 2972	3120	
Ford Contour SVT (98-00)	V-6 DOHC	82.4 x 79.5 2544	2590	
Ford Mustang GT (1986)	8 cyl OHV	101.6 x 76.2 4942	2915	
Ford Mustang GT & LX (89-93) (exclude Cobra)	V-8 OHV	101.6 x 76.2 4942	3340	
Ford Mustang GT (94-95) (exclude Cobra)	V-8 OHV	101.6 x 76.2 4942	3195	
Ford Mustang GT (96-98)	8 Cyl. SOHC	90.2 x 90.0 4601	3390	
Ford Mustang (99-04)	V-6 SOHC	96.8 x 86.0 3797	2670	
Ford Mustang (05-07)	6 Cyl. SOHC	100.4 x 84.4 4010	2955	
Ford Taurus SHO (89-95)	V-6 DOHC	89.0 x 80.0 2986	2890	
Honda Accord Coupe V6 (03-05)	6 Cyl. SOHC (J30A4)	86.0 x 86.0 2997	3175	

ITR	Engine Type	Bore x Stroke(mm)/ Displ. (cc)	Weight (lbs)	Notes:
Honda Accord Coupe V6 (06-07)	6 Cyl SOHC (J30A5)	86.0 x 86.0 2997	3225	
Honda Civic Si (06-11)	4 Cyl. DOHC	86.0 x 86.0 1998	2655	
Honda Prelude (93-96)	4 Cyl. DOHC	87.0 x 90.0 2157	2570	
Honda Prelude (non SH) (97-01)	4 Cyl. DOHC	87.0 x 90.0 2157	2640	
Honda Prelude SH (97-01)	4 Cyl. DOHC	87.0 x 90.0 2157	2640	
Honda S2000 (00-03)	4 Cyl. DOHC	87.0 x 84.0 1997	2895	
Honda S2000 (04-09) (Exclude CR package)	4 Cyl. DOHC	87.0 x 90.7 2157	3025	
Lexus IS300 (01-02)	6 Cyl. DOHC	86.0 x 86.0 2997	3025	
Lexus SC300 (92-00)	6 Cyl. DOHC	86.0 x 86.0 2997	3165	
Mazda RX-8 (04-08)	2 Rotor	2600cc	2850	
Mazda RX-8 (09-11)	2 Rotor	2600cc	2850	
Mitsubishi 3000 GT (non-turbo FWD) (91-99)	V-6 DOHC	91.2 x 79.5 2972	3120	
Mitsubishi Eagle Talon (90-94)	4Cyl 16V Turbo	85 x 88	2955	
Nissan 300ZX (89-96)	V-6 DOHC	87.0 x 83.0 2960	3120	
Nissan Maxima (00-01)	V-6 DOHC	93.0 x 73.3 2988	3040	
Pontiac Firebird (87-92) (exclude BC4 Package)	V-8 OHV	94.9 x 88.4 5000	3465	1LE package allowed.
Pontiac Firebird (96-02)	V-6 OHV	96.5 x 86.36 3790	2815	
Porsche 911S 2.0 (1969)	6 Cyl. SOHC	80.0 x 66.0 1991	2365	Other transaxle gear sets that can be shown through factory documentation to have been available for factory order on a new car are allowed.
Porsche 911S 2.2 (1970-71)	6 Cyl. SOHC	84.0 x 66.0 2195	2505	Other transaxle gear sets that can be shown through factory documentation to have been available for factory order on a new car are allowed.
Porsche 911S 2.4 (1972-73)	6 Cyl. SOHC	84.0 x 70.4 2341	2630	Other transaxle gear sets that can be shown through factory documentation to have been available for factory order on a new car are allowed.

GCR - 410

ITR	Engine Type	Bore x Stroke(mm)/ Displ. (cc)	Weight (lbs)	Notes:
Porsche 911/911S/911 Carrera (74-77)	6 Cyl. SOHC	90.0 x 70.4 2687	2400	
Porsche 911SC (78-83)	6 Cyl SOHC	95.0 x 70.4 2994	2630	
Porsche 928 (78-82)	8 cyl. SOHC	95.0 X 78.9 4474	3080	
Porsche 928 S (83-84)	8 cyl. SOHC	97.0 X 78.9 4664	3345	
Porsche 944S2 (89-91)	4 Cyl DOHC	104.0 x 88.0 2990	2810	
Porsche 968 (93-97)	4 Cyl DOHC	104.0 x 88.0 2990	3055	
Porsche Boxster (97-99)	6 Cyl DOHC	85.5 x 72.0 2480	2830	
Porsche Boxster (00-02)	6 cyl. DOHC	85.5 X 78.0 2687	3050	
Scion FR-S (13-15)	4 Cyl DOHC	86.0 x 86.0 1998	2815	
Subaru BRZ (13-15)	4 Cyl DOHC	86.0 x 86.0 1998	2815	
Subaru SVX AWD (92-97)	6 cyl. DOHC	96.9 X 75.0 3318	3205	
Toyota Celica GTS (00-05)	4 Cyl DOHC	82.0 x 85.0 1796	2380	
Toyota Supra (87-92)	6 Cyl DOHC	83.1 x 90.9 2956	2925	
Toyota Supra (93-97)	6 Cyl DOHC	86.0 x 86.0 2997	3195	
Volkswagen GTI 1.8T (01-06)	4cyl Turbo	81.0 x 86.4 1781	2425	
Volkswagen Jetta GLS 1.8T (01-03)	4cyl Turbo	81.0 x 86.4 1781	2425	
Volkswagen Jetta GLI 1.8T	4cyl Turbo	81.0 x 86.4 1781	2425	
Volkswagen GTI FSI (06-09)	4cyl Turbo	82.5 x 92.8 1984	2700	
Volkswagen GLI FSI (06-09)	4cyl Turbo	82.5 x 92.8 1984	2700	

ITS	Engine Type	Bore x Stroke(mm)/ Displ. (cc)	Weight (lbs)	
Acura Integra GSR (92-93)	4 Cyl DOHC VTEC	81.0 x 81.4 1678	2430	
Acura Integra GSR (3 door) (94-00)	4 Cyl DOHC VTEC	81.0 x 87.2 1797	2590	
Acura RSX-S (02-04)	4 Cyl DOHC	86.0 x 86.0 1998	3000	
Acura RSX-S (05-06)	4 Cyl DOHC	86.0 x 86.0 1998	3200	
Acura TSX (04-08)	4 cyl DOHC	87 x 99 2345	3175	
Alfa Romeo GTV-6 (81-86)	V-6 SOHC	88.0 x 68.3 2492	2680	Bosch L-Jetronic Fuel Injection
Alfa Romeo Milano 2.5L (87-89)	V-6 SOHC	88.0 x 68.3 2492	2780	Bosch L-Jetronic Fuel Injection
Alfa Romeo Milano 3.0L (87-89)	V-6 SOHC	93.0 x 72.6 2959	2780	Bosch L-Jetronic Fuel Injection
BMW 323i (E36) (1999)	6 Cyl DOHC	84.1 x 75.0 2494	3000	
BMW 323i (E46) (98-00)	6 Cyl DOHC	84.1 x 75.0 2494	3000	
BMW 323it (E46) Wagon (99-00)	6 Cyl DOHC	84.1 x 75.0 2494	3000	
BMW 325i/is (87-91)	6 Cyl SOHC	3.31 x 2.95 2494	2710	Trunk mounted fuel cell may be used but shall be no larger than stock.
BMW 325i/is (2 & 4door) (92-95)	6 Cyl DOHC	84.1 x 75.0 2494	Restricted: 2850 Unrestricted: 3265	Trunk mounted fuel cell may be used but shall be no larger than stock. 29mm SIR required and must comply with Appendix F.
BMW 325it (E36) Wagon (92-95)	6 Cyl DOHC	84.1 x 75.0 2494	Restricted: 2850 Unrestricted: 3265	29mm SIR required and must comply with Appendix F.
Chevrolet Camaro 3.4L (93-95)	6 cyl OHV	92 x 84 3350	2680	
Chevrolet Cobalt SS (2006)	4 cyl. DOHC	88.0 x 98.0 2384	2605	Non-supercharged.
Ford Contour V-6 (non-SVT) (1995)	V-6 DOHC	82.4 x 79.5 2544	2665	

ITS	Engine Type	Bore x Stroke(mm)/ Displ. (cc)	Weight (lbs)	
Ford Focus SVT (02-04)	4 Cyl DOHC	84.8 x 88.0 2000	2590	
Ford Mustang LX V-6 (94-98)	V-6 OHV	96.8 x 86.0 3797	2470	
Ford Probe GT (1993)	V-6 DOHC	84.5 x 74.2 2495	2570	
Honda Civic Del Sol VTEC (94-96)	4 Cyl DOHC	81.0 x 77.4 1595	2430	Petty-bar style cage is permitted. Rear cage braces may pass through rear window. Roll cage for cars under 2200 lbs are acceptable for cars registered with SCCA before 5/1/06.
Honda Civic Si (99-00)	4 Cyl DOHC	81.0 x 77.4 1595	2430	Roll cage for cars under 2200 lbs are acceptable for cars registered with SCCA before 5/1/06.
Honda Civic Si (06-11)	4 cyl. DOHC	86.0 x 86.0 1998	3000	
Honda Prelude Si (92-96)	4 Cyl DOHC	87.0 x 95.0 2259	2555	
Honda Prelude Si VTEC (93-96)	4 Cyl DOHC	87.0 x 90.0 2157	2905	
Honda Prelude SH (97-01)	4 Cyl DOHC	87.0 x 90.0 2157	2905	
Honda Prelude non-SH (97-01)	4 Cyl DOHC	87.0 x 90.0 2157	2825	
Hyundai Tiburon V6 (03-08)	6 cyl DOHC	86.7 x 75 2657	2620	
Jensen Healey (Roadster) (73-79)	4 Cyl DOHC	95.2 x 69.3 1973	2240	(2) Zenith-Stromberg IV Carburetors
Kia Forte Koup SX (10-13)	4 Cyl DOHC	88.0 x 97.0 2360	2605	
Kia Forte SX (4 door) (10-13)	4 Cyl DOHC	88.0 x 97.0 2360	2605	
Kia Forte SX (5 door) (11-13)	4 Cyl DOHC	88.0 x 97.0 2360	2605	
Mazda Mazda3 (03-09)	4 Cyl DOHC	87.5 x 94.0 2261	2440	
Mazda Mazda3 (10-13)	4 Cyl DOHC	89.0 x 100.0 2488	2545	
Mazda 626 LX/ES (93-97)	V-6 DOHC	84.5 x 74.2 2495	2570	

ITS	Engine Type	Bore x Stroke(mm)/ Displ. (cc)	Weight (lbs)	
Mazda MX-5 / Miata (99-00)	4 Cyl DOHC	83.0 x 85.0 1839	2375	Spec Miata floor pan modifications allowed. Reinforcement of the differential housing ears is allowed for the purpose of repairing or reducing breakage at the factory stress riser "notch."
Mazda MX-5 / Miata (01-05)	4 Cyl DOHC	83.0 x 85.0 1839	2375	Spec Miata floor pan modifications allowed. Reinforcement of the differential housing ears is allowed for the purpose of repairing or reducing breakage at the factory stress riser "notch."
Mazda MX-5 (06-10)	4 Cyl DOHC	87.4 x 83.1 1998	2740	
Mazda MX-6 (1993)	V-6 DOHC	84.5 x 74.2 2495	2570	
Mazda RX-7 (13B) (84-85)	2 Rotor	2616	2350	
Mazda RX-7/ Convertible (13B) (86-91)	2 Rotor	2616	2680	5th and 6th intake port actuators and valves may be removed or disabled.
Mazda RX-8 (04-08)	2 Rotor	2600cc	3270	
Mazda RX-8 (09-11)	2 Rotor	2600cc	3270	
Mercedes-Benz 190 E 2.3L 16V	4 Cyl SOHC	96.5 x 80.3 2299	2800	
Mercedes-Benz 190 E 2.6L 12V (87-93)	6 Cyl SOHC	82.9 x 80.3 2599	2695	
Mercury Cougar (1999)	6 Cyl DOHC	82.4 x 79.5 2544	2650	
Mitsubishi Eclipse GT/ GTS (00-05)	6 Cyl SOHC	91.1 x 76.0 2972	3150	
Nissan/Datsun 240-Z (70-73)	6 Cyl SOHC	83.0 x 73.3 2380	2430	(2) Hitachi-SU (1V) Carburetors
Nissan/Datsun 260-Z (73-74)	6 Cyl SOHC	83.0 x 79.0 2565	2480	(2) Hitachi-SU (1V) Carburetors
Nissan/Datsun 280-Z (75-78)	6 Cyl SOHC	86.1 x 79.0 2760	2505	Nissan (Bosch) L-Jetronic fuel injection
Nissan/Datsun 280-ZX 2+2 (79-83)	6 Cyl SOHC	86.1 x 79.0 2760	2530	Nissan (Bosch) L-Jetronic fuel injection
Nissan/Datsun 280-ZX (79-83)	6 Cyl SOHC	86.1 x 79.0 2760	2530	Nissan (Bosch) L-Jetronic fuel injection

GCR - 415

9.1.3. ITS Spec Lines

ITS	Engine Type	Bore x Stroke(mm)/ Displ. (cc)	Weight (lbs)	
Nissan 200-SX V-6 (1987)	V-6 SOHC	87.0 x 83.0 2960	2725	
Nissan 240-SX / S13 (91-94)	4 Cyl DOHC	89.0 x 96.0 2389	2600	
Nissan 240-SX / S14 (95-98)	4 Cyl DOHC	89.0 x 96.0 2389	2600	
Nissan 300-ZX (84-88)	6 Cyl SOHC	87.0 x 83.0 2960	2725	Bosch L-Jetronic Fuel Injection
Nissan 300-ZX 2 + 2 (1986)	6 Cyl SOHC	87.0 x 83.0 2960	2725	Bosch L-Jetronic Fuel Injection
Nissan Sentra SER Spec V (02-06)	4 Cyl DOHC	89.0 x 100.0 2488	2825	
Oldsmobile Achieva SCX (92-93)	4 Cyl DOHC	92.0 x 85.1 2263	2655	Alternate rear bearing, flange and disc brakes from (Genereal Motors) Saturn are allowed. 16" wheel not allowed.
Oldsmobile Calais (88-89)	4 Cyl DOHC	92.0 x 85.1 2263	2505	Alternate rear bearing, flange and disc brakes from (Genereal Motors) Saturn are allowed. 16" wheel not allowed.
Oldsmobile Calais (90-91)	4 Cyl DOHC	92.0 x 85.1 2263	2655	Alternate rear bearing, flange and disc brakes from (Genereal Motors) Saturn are allowed. 16" wheel not allowed.
Pontiac Grand-Am (Quad 4) (88-91)	4 Cyl DOHC	92.2 x 85.1 2272	2505	Alternate rear bearing, flange and disc brakes from (Genereal Motors) Saturn are allowed. 16" wheel not allowed.
Pontiac Solstice / Saturn Sky (06-09)	4 cyl. DOHC	88.0 x 98.0 2384	2905	
Porsche 911 T & E (68-69)	6 Cyl SOHC	80.0 x 66.0 1991	2385	
Porsche 911 T & E (70-71)	6 Cyl SOHC	84.0 x 66.0 2195	2485	
Porsche 911 T & E (72-73)	6 Cyl SOHC	84.0 x 70.4 2341	2585	
Porsche 924-S (86-88)	4 Cyl SOHC	100.0 x 78.9 2479	2575	
Porsche 944 (2V) (83-88)	4 Cyl SOHC	100.0 x 78.9 2479	2575	Maximum wheel size is 16 x 7 @ all 4 corners.

ITS	Engine Type	Bore x Stroke(mm)/ Displ. (cc)	Weight (lbs)	
Porsche 944 2.7L (1989)	4 Cyl SOHC	104.0 x 78.9 2681	2635	Maximum wheel size is 16 x 7 @ all 4 corners.
Porsche 944S (4V) (87-88)	4 Cyl DOHC	100.0 x 78.9 2479	2850	
Subaru Impreza 2.5 RS (98)	4 Cyl SOHC	99.5 x 79.0 2457	2660	Center differential must remain stock.
Subaru Impreza 2.5 RS (99-01)	4 Cyl SOHC	99.5 x 79.0 2457	2660	Center differential must remain stock.
Toyota Corolla XRS (2005)	4 cyl. DOHC	82.0 x 85.0 1796	2590	
Toyota MR2 Spyder (2001- 03)	4 cyl. DOHC	79.0 x 91.5 1794	2275	
Toyota Supra (82-85)	6 Cyl DOHC	83.0 x 85.0 2759	2750	
Toyota Supra (86 1/2-92)	6 Cyl DOHC	83.0 x 91.0 2954	3275	
Triumph TR8 (80-82)	8 Cyl OHV	88.9 x 71.1 3528	2610	(2) Stromberg 1V Carburetors or Lucas/Bosch L-Jetronic Injection. Convertible allowed @2560 lbs.
Volkswagen Corrado SLC	V-6 DOHC	81.0 x 90.3 2782	2680	
Volkswagen Golf GTI VR-6 (95-99.5)	V-6 DOHC	81.0 x 90.3 2782	2680	
Volkswagen Jetta VR-6 (94-96)	V-6 DOHC	81.0 x 90.3 2782	2680	
Volkswagen Rabbit 2.5L (08-09)	5 cyl DOHC	82.5 x 92.8 2480	2560	
Volvo 850 GLT (93-97)	Inline 5 DOHC	83.0 x 90.0 2435	2635	

NOTES:

ITA	Engine Type	Bore x Stroke(mm)/ Displ. (cc)	Weight (lbs)	Notes:
Acura CL 2.3L (98-99)	4 Cyl SOHC	86.0 x 97.0 2254	2715	
Acura Integra 1.6 (86-89)	4 Cyl DOHC	75.0 x 90.0 1590	2200	
Acura Integra (90-93)	4 Cyl DOHC	81.0 x 89.0 1835	2595	
Acura Integra GS/LS/RS(3 door) (94-00)	4 Cyl DOHC	81.0 x 89.0 1835	2620	
Acura RSX (base) (2002-2006)	4 Cyl DOHC	86.0 x 86.0 1998	2840	
AMC Spirit (79-83)	6 Cyl OHV	95.3 x 99.1 4235	2730	
Audi GT Coupe (1987)	5 Cyl SOHC	82.5 x 86.4 2309	2230	
Audi Coupe Quattro (90-91)	5 Cyl SOHC	86.0 x 86.0 2309	3055	Center differential must remain stock.
BMW 318 (E36) (92-94)	4 Cyl DOHC	84.0 x 81.0 1796	2600	Trunk mounted fuel cell may be used but shall be no larger than stock.
BMW 318i/is Twin Cam (90-91)	4 Cyl DOHC	84.7 x 81.0 1799	2600	
BMW 318ti & Club Sport (1995)	4 Cyl DOHC	84.0 x 81.0 1796	2600	
BMW 318ti / Sport (96-99)	4 Cyl DOHC	85.1 x 83.6 1895	2600	
BMW 318i/is (96-99)	4 Cyl DOHC	85.1 x 83.6 1895	2600	
BMW 325e/es (2 & 4 door) (84-87)	6 Cyl SOHC	84.0 x 81.0 2693	2550	Trunk mounted fuel cell may be used but shall be no larger than stock.
BMW 2002tii (71-74)	4 Cyl SOHC	89.0 x 80.0 1990	2310	Kugelfischer Mechanical Fuel Injection
BMW Z3 1.9 (96-98)	4 Cyl DOHC	85.1 x 83.6 1895	2600	
BMW 528e (82-87)	6 cyl SOHC	81 x 84 2963	2550	
Buick Skyhawk V-6 (75-80)	6 Cyl OHV	96.6 x 86.4 3786	2810	
Chevrolet Cavalier Z-24 (86-87)	6 Cyl OHV	89.0 x 76.0 2800	2480	Alternate rear bearing, flange, and disc brakes from Saturn are allowed. 16" wheels not allowed.
Chevrolet Citation X-11 (81-83)	6 Cyl OHV	89.0 x 76.0 2800	2620	

GCR - 419

ITA	Engine Type	Bore x Stroke(mm)/ Displ. (cc)	Weight (lbs)	Notes:
Chevrolet Corvair 140 (68-69)	6 Cyl OHV	87.3 x 74.7 2685	2580	(4) Rochester Carburetors: (2) 7025023 & (2) 7026026, All w/1.375" venturi.
Chevrolet Cosworth Vega Twin Cam (75-76)	4 Cyl DOHC	88.9 x 80.3 1998	2580	Bendix MPC Fuel injection
Chevrolet Monza V-6 (78-80)	6 Cyl OHV	96.6 x 86.4 3786	2810	
Chrysler Neon SOHC (2&4 door) (incl. ACR) (95-99)	4 Cyl SOHC	87.5 x 83.0 1995	2345	
Chrysler Neon DOHC (2 & 4 door) (incl. ACR) (95-99)	4 Cyl DOHC	87.5 x 83.0 1995	2560	
Dodge Daytona (1986)	4 Cyl SOHC	87.5 x 104.0 2501	2620	
Dodge / Plymouth Neon RT & ACR (01-03)	4 Cyl SOHC	87.5 x 83.0 1995	2670	
Dodge / Plymouth Neon incl. SE, ES, SXT (00-03)	4 Cyl SOHC	87.5 x 83.0 1995	2345	
Ford Escort GT/ LX-E 1.8L 16V (91-95)	4 Cyl DOHC	83.0 x 85.0 1839	2325	
Ford Escort ZX2 (98-03)	4 Cyl DOHC	84.8 x 88.0 1988	2355	
Ford Focus ST (05-06)	4 cyl. DOHC	87.38 x 94.0 2255	2680	
Ford Focus ZX-3 (00-01)	4 Cyl DOHC	84.8 x 88.0 1988	2400	
Ford Focus Coupe (08-10)	4 Cyl DOHC	87.5 x 83.1 1999	2490	
Ford Focus Sedan (08-10)	4 Cyl DOHC	87.5 x 83.1 1999	2490	
Ford Mustang II V-6 (74-78)	6 Cyl OHV	93.0 x 68.6 2796	2840	
Ford Mustang V-6 (1979)	6 Cyl OHV	93.0 x 68.6 2796	3000	
Honda Accord EX (94-97)	4 Cyl SOHC	85.1 x 91.0 2157	2735	

GCR - 420

9.1.3. ITA Spec Lines

ITA	Engine Type	Bore x Stroke(mm)/ Displ. (cc)	Weight (lbs)	Notes:
Honda Accord DX/LX/EX (03-05)	4 cyl DOHC	87.0 x 99.0 2345	2895	
Honda Civic Del Sol Si (93-95)	4 Cyl SOHC	75.0 x 90.0 1590	2270	Rear cage braces may pass through rear window.
Honda Civic Del Sol Si (96-97)	4 Cyl SOHC	75.0 x 90.0 1590	2305	Rear cage braces may pass through rear window.
Honda Civic Si (89-91)	4 Cyl SOHC	75.0 x 90.0 1590	2250	PGM Fuel Injection
Honda Civic Si (92-95)	4 Cyl SOHC	75.0 x 90.0 1590	2270	D16Z6 Engine
Honda Civic EX Coupe/Sedan (96-00)	4 Cyl SOHC	75.0 x 90.0 1590	2305	
Honda Civic EX Coupe/Sedan (92-95)	4 Cyl SOHC	75.0 x 90.0 1590	2270	D16Z6 Engine
Honda Civic EX (90-91)	4 Cyl SOHC	75.0 x 90.0 1590	2250	
Honda Civic Si (02-05)	4 Cyl DOHC	86.0 x 86.0 1998	2840	
Honda CRX Si (88-91)	4 Cyl SOHC	75.0 x 90.0 1590	2250	
Honda Prelude-S (1992)	4 Cyl SOHC	85.1 x 95.0 2157	2680	
Honda Prelude Si (88-91)	4 Cyl	80.0 x 91.0 1950	2550	
Honda Prelude Si (90-91)	4 Cyl DOHC	83.0 x 95.0 2056	2550	
Hyundai Elantra (4 door) (96-00)	4 Cyl DOHC	82.0 x 85.0 1796	2310	
Hyundai Elantra (4 door) (01-06)	4 Cyl DOHC	82.0 x 93.5 1975	2450	
Hyundai Elantra (5 door) (01-06)	4 Cyl DOHC	82.0 x 93.5 1975	2450	
Hyundai Elantra (4 door) (07-10)	4 Cyl DOHC	82.0 x 93.5 1975	2520	
Hyundai Elantra (4 door) (11-14)	4 Cyl DOHC	81.0 x 87.1 1796	2630	
Hyundai Elantra (Coupe) (11-14)	4 Cyl DOHC	81.0 x 87.1 1796	2630	

GCR - 421

9.1.3. ITA Spec Lines

ITA	Engine Type	Bore x Stroke(mm)/ Displ. (cc)	Weight (lbs)	Notes:
Hyundai Accent (4 door) (11-14)	4 Cyl DOHC	77.0 x 85.4 1591	2450	
Hyundai Accent (5 door) (11-14)	4 Cyl DOHC	77.0 x 85.4 1591	2450	
Hyundai Veloster (11-14)	4 Cyl DOHC	77.0 x 85.4 1591	2450	
Isuzu Impulse (83-87)	4 Cyl OHC	87.0 x 82.0 1949	2855	
Kia Forte Koup ex. SX (10-13)	4 Cyl DOHC	86.0 x 86.0 1998	2770	
Kia Forte ex. SX (4 door) (10-13)	4 Cyl DOHC	86.0 x 86.0 1998	2735	
Kia Forte ex. SX (5 door) (11-13)	4 Cyl DOHC	86.0 x 86.0 1998	2735	
Kia Rio (4 door) (12-14)	4 Cyl DOHC	77.0 x 85.4 1591	2450	
Kia Rio (5 door) (12-14)	4 Cyl DOHC	77.0 x 85.4 1591	2450	
Mazda Cosmo (76-78)	2 Rotor	2616	2780	
Mazda MX-3 V-6	V-6 DOHC	75.0 x 69.6 1844	2510	
Mazda MX-5 / Miata (90-93)	4 Cyl DOHC	78.0 x 83.6 1597	2255	Spec Miata floor pan modifications allowed. Reinforcement of the differential housing ears is allowed for the purpose of repairing or reducing breakage at the factory stress riser "notch."
Mazda MX-5 / Miata includes R (94-97)	4 Cyl DOHC	83.0 x 85.0 1839	2460	Spec Miata floor pan modifications allowed. Reinforcement of the differential housing ears is allowed for the purpose of repairing or reducing breakage at the factory stress riser "notch."
Mazda Protege LX (90-94)	4 Cyl DOHC	83.0 x 85.0 1839	2325	
Mazda Protege ES (95-98)	4 Cyl DOHC	83.0 x 85.0 1839	2325	
Mazda Protege ES/LX (01-03)	4 Cyl DOHC	83.0 x 92.0 1991	2305	
Mazda Protégé MP3 (2001)	4 cyl. DOHC	83.0 x 92.0 1991	2485	
Mazda Protege5 (02-03)	4 Cyl DOHC	83.0 x 92.0 1991	2305	
Mazda RX-2 (71-74)	2 Rotor	2292	2300	
Mazda RX-3 / 3SP (72-78)	2 Rotor	2292	2280	

ITA	Engine Type	Bore x Stroke(mm)/ Displ. (cc)	Weight (lbs)	Notes:
Mazda RX-4 (74-78)	2 Rotor	2616	2550	
Mazda RX-7 (12A) (79-85)	2 rotor	2292	2280	
Mazda 3s (04-09)	4 Cyl DOHC	87.5 x 94.0 2260	2840	
Mercedes-Benz 190E 2.3L 8V	4 Cyl SOHC	95.5 x 80.3 2299	2730	
Mercury Capri I V-6 (72-74)	6 Cyl OHV	90.0 x 66.8 2550 93.0 x 68.5 2796	2390	
Mercury Capri II V-6 (76-77)	6 Cyl OHV	93.0 x 68.5 2796	2670	
Mercury Capri (91-94)	4 Cyl DOHC	78.0 x 83.6 1597	2440	
Mercury Tracer LTS (91-96)	4 Cyl DOHC	83.0 x 85.0 1839	2430	
Merkur Scorpio (87-89)	V-6 OHV	93.0 x 72.0 2935	2815	
Mitsubishi Eclipse / Eagle Talon (95-98)	4 Cyl DOHC	87.5 x 83.0 1997	2600	
Mitsubishi Eclipse RS/GS (00-05)	4 Cyl SOHC	86.5 x 100.0 2351	2700	
Nissan 200 SX SE-R (95-98)	4 Cyl DOHC	86.0 x 86.0 1998	2490	
Nissan 240-SX / S13 (89-90)	4 Cyl SOHC	89.0 x 96.0 2389	2630	Front brake discs may be stock 257 x 22mm ABS discs w/ 4-lug hub & ABS front calipers.
Nissan NX-2000 (91-93)	4 Cyl DOHC	86.0 x 86.0 1998	2515	
Nissan Sentra SE-R (91-94)	4 Cyl DOHC	86.0 x 86.0 1998	2490	
Nissan Pulsar NX (87-91)	4 Cyl DOHC	76.0 x 88.0 1597	2250	KN13 engine
Plymouth Laser / Eagle Talon / Mitsubishi Eclipse 2.0L (90-94)	4 Cyl DOHC	85.0 x 88.0 1997	2500	
Pontiac Fiero GT & Formula V-6 2.8 (85-88)	6 Cyl OHV	89.0 x 76.0 2837	2600	"Petty Bar" style cage is permitted. Rear cage braces may pass through rear window.
Porsche 912-E (1976)	4 Cyl OHV	94.0 x 71.0 1971	2480	
Porsche 914-6 (70-72)	6 Cyl SOHC	80.0 x 66.0 / 1991	2095	

GCR - 423

9.1.3. ITA Spec Lines

ITA	Engine Type	Bore x Stroke(mm)/ Displ. (cc)	Weight (lbs)	Notes:
Porsche 924S (86-88)	4Cyl	100 x 78.9 2479	2865	
Porsche 944 (2V) (83-88)	4 Cyl SOHC	100.0 x 78.9 2479	2865	
Saab 900 16V (B212i) (91-92)	4 Cyl DOHC	2118	2680	
Saturn SC Coupe & SC2 (91-96)	4 Cyl DOHC	82.0 x 90.0 1901	2360	
Saturn SC2 (97-98)	4 Cyl DOHC	82.0 x 90.0 1901	2360	
Saturn SL2 (91-95)	4 Cyl DOHC	82.0 x 90.0 1901	2360	
Saturn SL2 (96-98)	4 Cyl DOHC	82.0 x 90.0 1901	2360	
Saturn SC1 & SC2 Coupe (1997)	4 Cyl DOHC	82.0 x 90.0 1901	2360	
Toyota Camry (87-91)	4 Cyl DOHC	86.0 x 86.0 1998cc	2255	
Toyota Celica Supra (79-81)	6 Cyl DOHC	83.0 x 85.0 2759	2930	
Toyota Celica GTS (86-88)	4 Cyl DOHC	86.0 x 86.0 1998	2500	
Toyota Celica GT Coupe/Liftback (89-93)	4 Cyl DOHC	87.0 x 91.0 2164	2590	
Toyota Celica GTS Coupe & HB (1989)	4 Cyl DOHC	86.0 x 86.0 1998	2615	
Toyota Celica GT Liftback / Coupe (94-99)	4 Cyl DOHC	87.0 x 91.0 2164	2400	
Toyota Celica (00-05)	4 Cyl DOHC	79.0 x 91.5 1794	2490	
Toyota Corolla GTS (84-87)	4 Cyl DOHC	81.0 x 77.0 1587	1950	
Toyota Corolla GTS (88-92)	4 Cyl DOHC	81.0 x 77.0 1587	2300	
Toyota FX-16 (1987)	4 Cyl DOHC	81.0 x 77.0 1587	1910	
Toyota MR-2 (85-89)	4 Cyl DOHC	81.0 x 77.0 1587	2000	Factory aero package allowed (wing & skirts). Trunk mounted fuel cell with no larger capacity than stock is permitted. "Petty Bar" style cage is permitted. Rear cage braces may pass through rear window.
Toyota MR-2 (90-94)	4 Cyl DOHC	87.0 x 91.0 2164	2545	Rear cage braces may pass through the rear window.

ITA	Engine Type	Bore x Stroke(mm)/ Displ. (cc)	Weight (lbs)	Notes:
Triumph GT-6 Mk.III (70-74)	6 Cyl OHV	74.2 x 76.0 1998	2005	(1) Stromberg 150CP
Triumph TR6 (69-76)	6 Cyl OHV	74.7 x 95.0 2498	2060	
Volkswagen Golf GTI 16V (87-89)	4 Cyl DOHC	81.0 x 86.4 1780	2185	
Volkswagen Golf GTI 2.0 16V (90-92)	4 Cyl DOHC	82.5 x 92.8 1984	2475	
Volkswagen Jetta GLI (91-92)	4 Cyl DOHC	82.5 x 92.8 1984	2475	
Volkswagen Jetta GLI 16V (87-89)	4 Cyl DOHC	81.0 x 86.4 1780	2185	
Volkswagen Rabbit 2.5L (06-07)	5 cyl DOHC	82.5 x 92.8 2480	2765	
Volkswagen Scirocco 16V (86-88)	4 Cyl DOHC	81.0 x 86.4 1780	2185	

NOTES:

ITB	Engine Type	Bore x Stroke(mm)/ Displ. (cc)	Weight (lbs)	Notes:
Alfa Romeo Alfetta GT, GTV, Sprint Veloce (75-79)	4 Cyl DOHC	84.0 x 88.5 1962	2520	
Alfa Romeo Alfetta Sedan (75-79)	4 Cyl DOHC	84.0 x 88.5 1962	2605	
Alfa Romeo GTV2000 (72-75)	4 Cyl DOHC	84.0 x 88.5 1962	2410	
Alfa Romeo all Spider models (72-89)	4 Cyl DOHC	84.0 x 88.5 1962	2400	77-81 SPICA Mech. fuel injection, 82- Bosch L-Jetronic injection 5.
Alfa Romeo Spider Quadri-foglio (85-89)	4 Cyl DOHC	84.0 x 88.5 1962	2400	
Alfa Romeo all Spider models (90-94)	4 Cyl DOHC	84.0 x 88.5 1962	2400	
Audi 4000 & 4000S (1986)			2500	
Audi 5 + 5 (81-83)	5 Cyl SOHC	79.5 x 86.4 2144 81.0 x 86.4 2226	2380	
Audi Coupe (81-84)	5 Cyl SOHC	79.5 x 86.4 2144 81.0 x 86.4 2226	2380	
Audi GT Coupe (84-86)	5 Cyl SOHC	81.0 x 86.4 2226	2380	
BMW 318i (E30) (84-86)	4 Cyl SOHC	89.0 x 71.0 1767	2210	Trunk mounted fuel cell may be used but shall be no larger than stock. Bosch L-Jetronic Fuel Injection.
BMW 320i 1.8 (E21) (80-83)	4 Cyl SOHC	89.0 x 71.0 1767	2210	Trunk mounted fuel cell may be used but shall be no larger than stock. Bosch L-Jetronic Fuel Injection.
BMW 320i 2.0 (77-79)	4 Cyl SOHC	89.0 x 80.0 1990	2340	Trunk mounted fuel cell may be used but shall be no larger than stock.
BMW 2002 (68-76)	4 Cyl SOHC	89.0 x 80.0 1990	2280	
Chevrolet Cavalier Coupe 2.2L (95-02)	4 Cyl OHC	89.0 x 88.0 2190	2500	

ITB	Engine Type	Bore x Stroke(mm)/ Displ. (cc)	Weight (lbs)	Notes:
Chevrolet Sonic (12-15)	4 Cyl DOHC	80.5 x 88.2 1796	2875	May be run in full compliance to B-Spec configuration and weight or to IT specification and weight.
Dodge Charger / 024 (81-85)	4 Cyl SOHC	87.5 x 92.0 2213	2320	
Dodge Shelby Charger (83-84)	4 Cyl SOHC	87.5 x 92.0 2213	2290	
Dodge Colt GT 2.0 (76-77)	4 Cyl SOHC	84.0 x 90.0 1995	2280	
Dodge Omni 2.2 (80-90)	4 Cyl SOHC	87.5 x 92.0 2213	2290	
Dodge Omni GLH 2.2	4 Cyl SOHC	87.5 x 92.0 2213	2430	
Dodge Shadow (89-91)	4 Cyl SOHC	87.5 x 92.0 2213	2680	Bosch/Holley TBI
Dodge Stratus (95-00)	4 Cyl SOHC	87.5 x 83.0 1995	2870	
Fiat 124 Spider 2.0 (79-83)	4 Cyl DOHC	84.0 x 90.0 1995	2330	Weber 28/32 DHA Carburetor, Bosch L-Jetronic injection, Bosch CIS injection
Fiat Brava 2.0 (79-81)	4 Cyl DOHC	84.0 x 90.0 1995	2530	79-mid 80: Weber 28/32 ADHA carburetor, Mid 80 on: Bosch CIS injection
Fiat 124 1800 (Spider & Coupe) (74-78)	4 Cyl DOHC	84.0 x 79.2 1756	2230	
Fiat 500 (11-15)	4 Cyl DOHC	72.0 x 84.0 1368	2105	May be run in full compliance to B-Spec configuration and weight or to IT specification and weight.
Ford Capri I 2.0	4 Cyl SOHC	91.0 x 77.0 1993	2300	
Ford Escort/ GT 1.9 (86-90)	4 Cyl SOHC	82.0 x 88.0 1859	2280	
Ford Escort EXP (86-88)	4 Cyl SOHC	82.0 x 88.0 1859	2415	
Ford Fiesta (11-15)	4 Cyl DOHC	79.0 x 81.5 1598	2500	May be run in full compliance to B-Spec configuration and weight or to IT specification and weight.
Ford Mustang 2.3 (79-93)	4 Cyl SOHC	96.0 x 79.4 2301	2550	
Ford Mustang II 2.3 (74-78)	4 Cyl SOHC	96.0 x 79.4 2301	2830	
Ford Pinto 2.0 (71-74)	4 Cyl SOHC	91.0 x 77.0 1993	2230	

ITB	Engine Type	Bore x Stroke(mm)/ Displ. (cc)	Weight (lbs)	Notes:
Ford Pinto 2.3 (74-80)	4 Cyl SOHC	96.0 x 79.4 2301	2340	
Ford Probe GL/LX 2.2L non-turbo (89-92)	4 Cyl SOHC	86.0 x 94.0 2184	2530	
Geo Prism GSi (1990)	4 Cyl DOHC	81.0 x 77.0 1588	2455	
Geo Storm GSi (90-91)	4 Cyl DOHC	80.0 x 79.0 1588	2380	
Honda Accord 1.7L (79-83)	4 Cyl SOHC	77.0 x 94.0 1751	2270	
Honda Accord Lxi 12V Coupe & HB (86-89)	4 Cyl SOHC	82.7 x 91.0 1955	2550	
Honda Accord SE-i (1989)	4 Cyl SOHC	82.7 x 91.0 1955	2550	
Honda Civic Si (86-87)	4 Cyl SOHC	74.0 x 86.5 1488	1970	PGM Fuel Injection
Honda Civic Del Sol S (93-95)	4 Cyl SOHC	75.0 x 84.5 1493	2345	Rear cage braces may pass through rear window.
Honda Civic DX (sedan & HB) (88-91)	4 Cyl SOHC	75.0 x 84.5 1493	2110	
Honda Civic DX (2&4 door) (92-95)	4 Cyl SOHC	75.0 x 84.5 1493	2345	
Honda Civic DX (3 door) (92-95)	4 Cyl SOHC	75.0 x 84.5 1493	2345	
Honda Civic LX (4 door) (92-95)	4 cyl SOHC	75.0 x 84.5 1493	2345	
Honda CRX Si (84-87)	4 Cyl SOHC	74.0 x 86.5 1488	1970	Plastic front fenders, nose, lower body segments (Aero package) permitted. PGM fuel injection.
Honda CRX HF 1.5L (88-91)	4 Cyl SOHC	75.0 x 84.5 1493	2030	
Honda CRX 1.5L (standard) (88-91)	4 Cyl SOHC	75.0 x 84.5 1493	2110	
Honda Fit (07-08)	4 Cyl SOHC	73.0 x 89.4 1496	2270	
Honda Fit (09-13)	4 Cyl DOHC	73.0 x 89.6 1499	2270	May be run in full compliance to B-Spec configuration and weight or to IT specification and weight.

ITB	Engine Type	Bore x Stroke(mm)/ Displ. (cc)	Weight (lbs)	Notes:
Honda Fit (14-15)	4 Cyl DOHC	73.0 x 89.6 1499	2705	May be run in full compliance to B-Spec configuration and weight or to IT specification and weight.
Honda Prelude 1.8 (83-87)	4 Cyl SOHC	80.0 x 91.0 1829	2350	
Honda Prelude Si (86-87)	4 Cyl SOHC	82.7 x 91.0 1955	2450	
Hyundai Accent (4 door) (05-10)	4 Cyl DOHC	76.5 x 87.0 1600	2290	
Hyundai Accent (3 door) (07-10)	4 Cyl DOHC	76.5 x 87.0 1600	2290	
Kia Rio (3 door) (06-11)	4 Cyl DOHC	76.5 x 87.0 1600	2290	
Kia Rio (4 door) (06-11)	4 Cyl DOHC	76.5 x 87.0 1600	2290	
Kia Rio (5 door) (12-14)	4 Cyl DOHC	77.0 x 85.4 1591	2875	May be run in full compliance to B-Spec configuration and weight or to IT specification and weight.
Isuzu Stylus XS (1991)	4 Cyl OHC	80.0 x 79.0 1588	2430	
Mazda2 (10-14)	4 Cyl DOHC	78.0 x 83.0 1586	2085	May be run in full compliance to B-Spec configuration and weight or to IT specification and weight.
Mazda 323 1.6 (1989)	4 Cyl SOHC	78.0 x 83.6 1597	2190	
Mazda 323 1.6 (86-88)	4 Cyl SOHC	78.0 x 83.6 1597	2060	
Mazda 626 (83-84)	4 Cyl SOHC	86.0 x 86.0 1998	2300	
Mazda 626 DX/LX (93-97)	4 Cyl DOHC	83.0 x 92.0 1991	2550	
Mazda MX-3 RS 1.6L (94-96)	4 Cyl DOHC	78.0 x 83.6 1597	2230	
Mazda MX-6 (88-91)	4 Cyl SOHC	86.1 x 94.0 2189	2530	
Mazda Protege ES (99-00)	4 Cyl DOHC	83.0 x 85.0	2645	
Mercury Bobcat 2.3 (74-80)	4 Cyl SOHC	96.0 x 79.4 2301	2520	
Mercury Capri 2.3 (79-86)	4 Cyl SOHC	96.0 x 79.4 2301	2550	
MGB 1.8 (68-80)	4 Cyl OHV	80.3 x 89.0 1798	2050	68-72: (2) SU HS4 Carburetors, 73-74: (2) SU HIF Carburetors, 75-80: (1) Zenith/Stromberg Carburetor.

ITB	Engine Type	Bore x Stroke(mm)/ Displ. (cc)	Weight (lbs)	Notes:
MGB GT 1.8 (68-74)	4 Cyl OHV	80.3 x 89.0 1798	2100	(2) SU HS4 Carburetors.
Mini Cooper (02-06)	4 Cyl SOHC	77.0 x 85.8 1598	2500	
Mini Cooper (07-13)	4 Cyl DOHC	77.0 x 85.8 1598	2555	May be run in full compliance to B-Spec configuration and weight or to IT specification and weight.
Mitsubishi Lancer 2.0L (02-07)	4 Cyl SOHC	81.5 x 95.8 1999	2500	OZ Rally package permitted.
Mitsubishi Mirage coupe (93-96)	4 Cyl SOHC	81.0 x 89.0 1834	2355	
Nissan/Datsun 200-SX / S10 (L20) (77-79)	4 Cyl SOHC	85.1 x 86.1 1952	2350	
Nissan/Datsun 200-SX / S10 (Z20) (80-81)	4 Cyl SOHC	85.1 x 86.1 1952	2530	
Nissan/Datsun 200-SX / S11 (Z22) (82-83)	4 Cyl SOHC	87.0 x 92.0 2187	2705	
Nissan/Datsun 200-SX / S12 (CA20) (84-86)	4 Cyl SOHC	84.5 x 88.0 1974	2530	
Nissan/Datsun HL-510 2.0 (78-81)	4 Cyl SOHC	85.1 x 86.1 1952	2280	
Nissan/Datsun 610 (1973)	4 Cyl SOHC	85.0 x 78.0 1770	2450	
Nissan/Datsun 610 (74-76)	4 Cyl SOHC	85.1 x 86.1 1952	2450	
Nissan Sentra / B12 (1989)	4 Cyl SOHC	76.0 x 88.0 1597	2165	
Nissan Sentra E/XE/CXE/SL/ Limited Edition (B13) (91-94)	4 Cyl DOHC	76.0 x 88.0 1597	2290	
Opel 1900 Sedan (71-75)	4 Cyl SOHC	93.0 x 69.9 1897	2180	
Opel GT 1900 (69-73)	4 Cyl SOHC	93.0 x 69.9 1897	2180	(1) Solex 32 DIDTA-4 Carburetor

ITB	Engine Type	Bore x Stroke(mm)/ Displ. (cc)	Weight (lbs)	Notes:
Opel Manta 1.9 (71-75)	4 Cyl SOHC	93.0 x 69.9 1897	2230	(1) Solex 32 DIDTA-4 Carburetor or Bosch L-Jetronic injection
Plymouth Fire Arrow 2.6 (79-80)	4 Cyl SOHC	91.0 x 98.0 2555	2360	
Plymouth Horizon 2.2 (80-90)	4 Cyl SOHC	87.5 x 92.0 2213	2320	
Plymouth TC3 / Turismo 2.2 (81-85)	4 Cyl SOHC	87.5 x 92.0 2213	2320	
Pontiac Fiero 2.5 (84-87)	4 Cyl OHV	101.6 x 76.2 2471	2315	GM Throttle body injection. "Petty Bar" style cage is permitted. Rear cage braces may pass through rear window.
Pontiac Fiero 2.5 (1988)	4 Cyl OHV	101.6 x 76.2 2471	2315	GM Throttle body injection. "Petty Bar" style cage is permitted. Rear cage braces may pass through rear window.
Porsche 914-4 1.8 (74-75)	4 Cyl OHV	93.0 x 66.0 1795	2080	"Petty Bar" style cage is permitted. Rear cage braces may pass through rear window.
Porsche 914-4 2.0L (73-76)	4 Cyl OHV	94.0 x 71.0 1971	2260	Torsion bar front suspension. "Petty Bar" style cage is permitted. Rear cage braces may pass through rear window.
Porsche 924 & Sebring (77-82)	4 Cyl SOHC	86.5 x 84.4 1984	2495	
Renault Alliance GTA (1987)	4 Cyl SOHC	3.23 x 3.66 1965	2140	
Saab 900 (79-88)	4 Cyl SOHC	90.0 x 78.0 1985	2680	Bosch K or L-Jetronic injection
Saab 900 16V B202i (86-90)	4 Cyl DOHC	90.0 x 78.0 1985	2680	
Saab 99E (1972)	4 Cyl SOHC	87.0 x 78.0 1854	2637	Bosch injection
Saab 99EMS 2.0 (73-80)	4 Cyl SOHC	90.0 x 78.0 1985	2540	Bosch injection
Suzuki Swift GT/GTi (89-94)	4 Cyl DOHC	73.9 x 75.4 1299	1895	
Suzuki Swift GA (89-94)	4 Cyl DOHC	73.9 x 75.4 1299	1735	
Toyota Celica I 2.0L (71-73)	4 Cyl SOHC	88.5 x 80.1 1968	2350	
Toyota Celica I 2.2 (74-77)	4 Cyl SOHC	88.5 x 89.0 2189	2300	

ITB	Engine Type	Bore x Stroke(mm)/ Displ. (cc)	Weight (lbs)	Notes:
Toyota Celica II 2.2 (78-80)	4 Cyl SOHC	88.5 x 89.0 2189	2430 (CP) 2490 (HB)	
Toyota Celica II 2.4 (81-82)	4 Cyl SOHC	92.0 x 89.0 2366	2470 (CP) 2510 (HB)	
Toyota Celica III 2.4 (83-85)	4 Cyl SOHC	92.0 x 89.0 2366	2350	(1) Aisan 2 bbl or Bosch L-Jetronic injection
Toyota Celica III GTS (83-85)	4 Cyl SOHC	92.0 x 89.0 2366	2425	Bosch L-Jetronic injection
Toyota Celica ST (1986)	4 Cyl SOHC	84.0 x 90.0 1995	2480	
Toyota Corolla AE-92 Sedan/ Corolla SR5 (87-92)	4 Cyl DOHC	81.0 x 77.0 1587	2150	
Toyota Corolla 1.8 (80-82)	4 Cyl OHV	85.0 x 78.0 1770	2050	
Toyota Corolla SR-5 (1987)	4 Cyl SOHC	81.0 x 77.0 1587	2330	
Toyota Corolla GTS (84-87)	4 Cyl DOHC	81.0 x 77.0 1587	2285	
Toyota FX-16 (1987)	4 Cyl DOHC	81.0 x 77.0 1587	2240	
Toyota MR-2 1.6L (85-89)	4 Cyl DOHC	81.0 x 77.0 1587	2335	Factory aero package allowed (wing & skirts). Trunk mounted fuel cell with no larger capacity than stock is permitted. "Petty Bar" style cage is permitted. Rear cage braces may pass through rear window.
Toyota Yaris (3 and 5 door) (05-11)	4 Cyl DOHC	74.9 x 84.6 1491	2270	May be run in full compliance to B-Spec configuration and weight or to IT specification and weight.
Toyota Yaris (3 and 5 door) (12-15)	4 Cyl DOHC	74.9 x 84.6 1491	2270	May be run in full compliance to B-Spec configuration and weight or to IT specification and weight.
Triumph TR-7 2.0 (76-81)	4 Cyl SOHC	90.3 x 78.0 1998	2440 (CP) 2420 (Conv.)	
Volkswagen Golf III (93-97)	4 Cyl SOHC	82.5 x 92.8 1984	2395	
Volkswagen Golf 2.0 (99-03)	4 Cyl DOHC	82.5 x 92.8 1984	2350	

ITB	Engine Type	Bore x Stroke(mm)/ Displ. (cc)	Weight (lbs)	Notes:
Volkswagen Golf GTI / GT / GL (85-92)	4 Cyl SOHC	81.0 x 86.4 1780	2280	Includes 1985 Golf Cup cars prepared to IT specifications.
Volkswagen Golf GTI 16V (87-89)	4 Cyl DOHC	81.0 x 86.4 1780	2560	
Volkswagen Jetta/ GL / GLI (85-92)	4 Cyl SOHC	81.0 x 86.4 1780	2280	
Volkswagen Jetta GLI 16V (87-89)	4 Cyl DOHC	81.0 x 86.4 1780	2560	
Volkswagen Jetta III (93-97)	4 Cyl SOHC	82.5 x 92.8 1984	2395	
Volkswagen Rabbit GTI (83-84)	4 Cyl SOHC	81.0 x 86.4 1780	2080	Bosch K-Jetronic injection
Volkswagen Scirocco II 8V (83-88)	4 Cyl SOHC	81.0 x 86.4 1780	2080	Bosch K-Jetronic injection.
Volkswagen Scirocco 16V (86-88)	4 Cyl DOHC	81.0 x 86.4 1780	2560	
Volvo 142 / 144 2.0 (69-74)	4 Cyl OHV	88.9 x 80.0 1986	2560	

ITC	Engine Type	Bore x Stroke(mm)/ Displ. (cc)	Weight (lbs)	Notes:
Austin-Healey Sprite (68-69)	4 Cyl OHV	71.0 x 81.0 1275	1615	
BMW 1600 (68-71)	4 Cyl SOHC	84.0 x 71.0 1573	2160	One barrel manifold
Chevrolet Chevette 1.6 (76-87)	4 Cyl SOHC	82.0 x 75.7 1598	2130	
Dodge Colt (89-92)	4 Cyl SOHC	75.5 x 82.0 1468	2270	
Dodge Colt 1.6 (FWD) (79-84)	4 Cyl SOHC	76.9 x 86.0 1597	2040	
Dodge Colt 1.6 (RWD) (71-78)	4 Cyl SOHC	76.9 x 86.0 1597	2190	
Dodge Daytona/ Chrysler Laser 2.2 (84-89)	4 Cyl SOHC	87.5 x 92.0 2213	2380	
Fiat X-1/9 1.3 (74-78)	4 Cyl SOHC	86.0 x 55.5 1290	2090	Trunk mounted fuel cell with no larger capacity than stock is allowed. "Petty Bar" style cage is permitted. Rear cage braces may pass through the rear window.
Fiat Bertone & X-1/9 1.5L (79-87)	4 Cyl SOHC	86.4 x 63.9 1498	2150	79-80 Carburetor, Mid-80 Bosch L-Jetronic injector. Trunk mounted fuel cell with no larger capacity than stock is allowed. "Petty Bar" style cage is permitted. Rear cage braces may pass through the rear window.
Fiat 124 Coupe (70-73)	4 Cyl DOHC	80.0 x 79.2 1592 80.0 x 80.0 1608	2200	
Fiat 124 Spider (70-73)	4 Cyl DOHC	80.0 x 79.2 1592 80.0 x 80.0 1608	2170	
Fiat 128 Coupe	4 Cyl SOHC	86.0 x 55.5 1290	1950	
Ford Cortina GT (68-70)	4 Cyl OHV	80.97 x 77.62 1598	1780	
Ford Escort EXP (82-85)	4 Cyl SOHC	80.0 x 79.5 1598	2130	
Ford Escort / GT (81-85)	4 Cyl SOHC	80.0 x 79.5 1598	2100	
Ford Festiva (88-93)	4 Cyl OHV	71.0 x 83.6 1324	1870	Induction: 89: Carburetion, 90: Fuel Injection.
Ford Fiesta (78-80)	4 Cyl OHV	81.0 x 78.0 1598	1780	
Geo Spectrum (1989)	4 Cyl SOHC	77.0 x 79.0 1481	2020	

ITC	Engine Type	Bore x Stroke(mm)/ Displ. (cc)	Weight (lbs)	Notes:
Geo Storm 1.6L (90-93)	4 Cyl SOHC	80.0 x 79.0 1588	2355	
Honda Accord 1.6 (76-78)	4 Cyl SOHC	74.0 x 93.0 1599	2180	
Honda Civic 1.2 (73-79)	4 Cyl SOHC	72.0 x 76.0 1237	1710	
Honda Civic CVCC 1.5 (75-79)	4 Cyl SOHC	74.0 x 86.5 1488	1820	
Honda Civic CVCC (80-83)	4 Cyl SOHC	74.0 x 86.5 1488	1870	
Honda Civic standard (HB & Sedan) (88-91)	4 Cyl SOHC	75.0 x 84.5 1493	2140	
Honda Civic HB / Sedan (84-87)	4 Cyl SOHC	74.0 x 86.5 1488	1955	CVCC Cylinder head
Honda Civic CX (3-door HB) (92-95)	4 Cyl SOHC	75.0 x 84.5 1493	2170	
Honda CRX 1.5 (84-87)	4 Cyl SOHC	74.0 x 86.5 1488	1955	CVCC Cylinder head.
Hyundai Excel (86-94)	4 Cyl SOHC	75.5 x 82.0 1469	2370	
Isuzu (Buick/ Opel) I-Mark (76-82)	4 Cyl SOHC	84.0 x 82.0 1817	2280	
Isuzu I-Mark (88-89)	4 Cyl SOHC	77.0 x 79.0 1471	2130	
Mazda GLC (RWD) (1980)	4 Cyl SOHC	77.0 x 76.0 1415	2080	
Mazda GLC (FWD) (81-85)	4 Cyl SOHC	77.0 x 80.0 1490	2000	
Mazda Mazda2 (10-14)	4Cyl	78.0 X 83.0	2455	
Mazda MX-3 (92-93)	4 cyl. SOHC	78.0 x 83.6 1598	2070	
Mazda Protege SE/DX (90-94)	4 Cyl SOHC	83.0 x 85.0 1839	2375	
Mercury LN7 (82-85)	4 Cyl SOHC	80.0 x 79.5 1598	2130	
Mercury Lynx 1.6 (81-84)	4 Cyl SOHC	80.0 x 79.5 1598	2100	

ITC	Engine Type	Bore x Stroke(mm)/ Displ. (cc)	Weight (lbs)	Notes:
MG Midget (68-74)	4 Cyl OHV	71.0 x 81.0 1275	1615	
MG Midget Mk III (75-79)	4 Cyl OHV	73.7 x 87.5 1491	1740	
Mitsubishi Mirage (1989)	4 Cyl SOHC	75.5 x 82.0 1468	2270	
Nissan/Datsun 1200 (71-73)	4 Cyl OHV	73.0 x 70.0 1171	1740	
Nissan/Datsun 210 1.4 (79-82)	4 Cyl OHV	76.0 x 77.0 1397	2080	
Nissan/Datsun 210 1.5 (79-82)	4 Cyl OHV	76.0 x 82.0 1488	2080	
Nissan/Datsun B210 (74-78)	4 Cyl OHV	76.0 x 77.0 1397	2010	
Nissan/Datsun PL-510 (68-73)	4 Cyl SOHC	83.0 x 73.7 1595	2170	
Nissan Pulsar NX (83-86)	4 Cyl SOHC	76.0 x 88.0 1597	2080	
Nissan Sentra / B11 1.5 (82-83)	4 Cyl SOHC	76.0 x 82.0 1488	1980 (SD) 2100 (HB)	
Nissan Sentra / B12 1.6 (83-86)	4 Cyl SOHC	76.0 x 88.0 1597	1980 (SD) 2100 (HB)	
Nissan Sentra / B12 (E16) (87-88)	4 Cyl SOHC	76.0 x 88.0 1597	2180	
Plymouth Arrow 1.6 (76-80)	4 Cyl SOHC	76.9 x 86.0 1597	2190	
Plymouth Champ 1.6 (79-83)	4 Cyl SOHC	76.9 x 86.0 1597	2040	
Plymouth Colt 1.5 (1989)	4 Cyl SOHC	75.5 x 82.0 1468	2270	
Plymouth Horizon 1.7 (78-79)	4 Cyl SOHC	79.5 x 86.4 1716	2050	
Plymouth Horizon TC3 1.7 (79-80)	4 Cyl SOHC	79.5 x 86.4 1716	2110	

ITC	Engine Type	Bore x Stroke(mm)/ Displ. (cc)	Weight (lbs)	Notes:
Porsche 914-4 1.7 (70-73)	4 Cyl OHV	90.0 x 66.0 1679	2080	"Petty Bar" style cage is permitted. Rear cage braces may pass through rear window.
Renault Alliance 1.4 (83-87)	4 Cyl OHV	76.0 x 77.0 1397	2070	Bendix T.B. injection
Renault Alliance 1.7 (84-87)	4 Cyl SOHC	81.0 x 83.5 1721	2100	Bendix T.B. injection
Renault Encore 1.4 (83-87)	4 Cyl OHV	76.0 x 77.0 1397	2070	Bendix T.B. injection
Renault Encore 1.7 (84-86)	4 Cyl SOHC	81.0 x 83.5 1721	2100	Bendix T.B. injection
Renault LeCar/R-5 1.3 (76-78)	4 Cyl OHV	73.0 x 77.0 1289	1910	
Renault LeCar/R-5 1.4 (79-84)	4 Cyl OHV	76.0 x 77.0 1397	1910	
Toyota Corolla / SR5 (83-87)	4 Cyl OHC	81.0 x 77.0 1587	2270	
Toyota Corolla / SR5 (2TC) (71-74)	4 Cyl OHV	85.0 x 70.0 1588	2130	Screwed-on fender flares standard equipment on SR5.
Toyota Corolla / SR5 1.6 (75-79)	4 Cyl OHV	85.0 x 70.0 1588	2230	Screwed-on fender flares standard equipment on SR5.
Toyota Starlet (81-83)	4 Cyl OHV	75.0 x 73.0 1290	1850	
Toyota Tercel (91-94)	4 cyl. DOHC	72.9 x 89.9 1456	1930	
Triumph Spitfire (73-80)	4 Cyl OHV	73.7 x 87.5 1493	1840	
Triumph Spitfire Mk III (68-70)	4 Cyl OHV	73.7 x 75.9 1296	1750	
Volkswagen Beetle (68-77)	4 Cyl OHV	85.5 x 69.0 1584	2000	
Volkswagen Super Beetle (71-77)	4 Cyl OHV	85.5 x 69.0 1584	2000	
Volkswagen Beetle (98-05)	4 Cyl SOHC	82.5 x 92.8 1984	2760	
Volkswagen Jetta 1.7 (82-84)	4 Cyl SOHC	79.5 x 86.4 1715	2080	

ITC	Engine Type	Bore x Stroke(mm)/ Displ. (cc)	Weight (lbs)	Notes:
Volkswagen Rabbit (75-80)	4 Cyl SOHC	79.5 x 73.4 1457 76.5 x 80.0 1471 79.5 x 80.0 1588	2000	78-79: Bosch CIS injection, 80: carbureted, 76: carbureted, 77, 80: Bosch CIS injection
Volkswagen Rabbit 1.7 (81-84)	4 Cyl SOHC	79.5 x 86.4 1715	2050	Bosch CIS injection
Volkswagen Rabbit 1.7 (82-84)	4 Cyl SOHC	79.5 x 86.4 1715	2110	Carbureted Model
Volkswagen Scirocco (75-80)	4 Cyl SOHC	79.5 x 73.4 1457 76.5 x 80.0 1471 79.5 x 80.0 1588	2040	
Volkswagen Scirocco I 1.7 (1981)	4 Cyl SOHC	79.5 x 86.4 1715	2110	Bosch CIS injection
Volkswagen Scirocco II 1.7 (82-84)	4 Cyl SOHC	79.5 x 86.4 1715	2110	Bosch CIS injection
Volvo 240 2.3 (83-93)	4 Cyl SOHV	96.0 x 80.0 2320	2735	
Volvo 242 / 244 2.0 (1975)	4 Cyl OHV	88.9 x 80.0 1986	2570	
Volvo 242 / 244 2.1 (76-82)	4 Cyl SOHC	92.0 x 80.0 2127	2570	Bosch CIS injection
Yugo GV (1986)	4 Cyl SOHC	80.0 x 55.5 1116	1850	

9.1.4. SUPER TOURING CATEGORY

These specifications are a part of the SCCA GCR and all automobiles shall conform to GCR section 9.

A. Purpose and Philosophy

The intent of the Super Touring category is to allow competition of production-based vehicles, at a higher level of preparation, using DOT-approved tires. Vehicles used in this category must be identifiable with the vehicles offered for sale to the public and available through the manufacturer's distribution channels in the US. No chassis or engines older than 1985 will be eligible, except that model runs that began before 1985 are eligible (e.g., if a model was produced in 1983-1988, the 1983 and 1984 cars are eligible). The SCCA does not guarantee the competitiveness of any car.

Super Touring Under (STU) vehicles are mid-level multi-purpose performance cars of 3.2 liters and under. Case-by-case approval of engines over 3.2 liters from "Pony Cars" or "American Iron" with stock camshaft lift at a heavier weight will be considered. No engines over 4 liters shall be allowed under any circumstances. **Spec lines are not required for STU eligibility; unless otherwise specified, any vehicle meeting the model year and engine displacement limits is eligible for this class.**

World Challenge Touring Cars that are non-compliant to the STCS but compliant to a SCCA Pro VTS may be approved on a case-by-case basis for STU. See 9.1.4.H.4.

Super Touring Lite (STL) is a small-bore "tuner" class for reciprocating piston engines with displacements of 2.0 liters or under, and rotary engines, 12A, 13B, and Renesis. STL encompasses a lower level of allowed modifications compared to STU. As with STU, spec lines are not required for STL eligibility; unless otherwise specified, any vehicle meeting the model year and engine displacement limits is eligible for this class.

Alternate allowances may be approved on a case-by-case basis for individual vehicles that do not meet these parameters; see "Alternate Vehicle Allowances" tables. Engines components from these approved vehicle allowances may not be installed in other chassis without specific line-item approval (e.g., the STU 3.8L Mustang engine may not be installed into a Ford Focus).

Vehicle modifications are limited to those listed herein. Unless a particular modification or part is approved in these rules, the vehicle and all of its relevant parts and assemblies shall be stock for the correct make and model of car. Some amount of latitude will be considered to facilitate engine installations, however if extensive modifications are required it is recommended to seek clarification from the Club Racing Board.

To establish the originality and configuration of the vehicle, each driver/entrant shall have a factory shop manual for each of the specific make, model, and year of the automobile and engine (if changed). This manual shall be presented when so requested at any technical inspection. If the factory shop manual is no longer available from the vehicle manufacturer, an aftermarket shop manual will be accepted with proof of non-availability from the vehicle manufacturer. The proof of legality shall rest upon the protestor and/or protestee.

Replacement parts may be obtained from sources other than the manufacturer provided they are the exact equivalent of the original parts. The intent of this rule is to allow the competitor to obtain replacement parts from standard industry outlets, e.g., auto-parts distributors, rather than from the manufacturer. It is not intended to allow parts that do not meet all dimensional and material specifications of new parts from the manufacturer, unless otherwise allowed in the Super Touring category or class rules.

Each class will have a baseline target power-to-displacement target weight. Weights may be adjusted, or engines may be subject to changes in intake restrictors, or supercharger pulleys to meet these targets. Vehicles may be required to carry data acquisition equipment for review of performance.

B. Eligibility

Vehicles meeting one of the following criteria may compete in the Super Touring category:

1. 1985 and newer cars built specifically under these ST rules
2. World Challenge Touring cars are eligible for classification in STU under the following criteria:
 - a. Cars will be approved on a case-by-case basis with supporting World Challenge VTS documentation
 - b. Competitors must have the VTS sheet and Appendix A, as approved, available for scrutineers when requested.
 - c. Cars approved to run in accordance with their World Challenge VTS must adhere to those specifications and are not permitted to adopt general STU specifications.

Note: World Challenge VTS cars are subject to adjustments (i.e., weight, restrictor) as necessary.

3. Alternate categories/classes may be allowed to compete in their own specification; please see individual class regulations for specific allowances. While these cars may not be competitive within this category, their inclusion will allow these regional-only categories to participate in national events. Cars modified in any fashion beyond these allowances must meet full STCS safety and prep regulations.

Note: While IT cars may not be competitive in the ST category, their inclusion in the category will allow regional competitors to participate in national events.

C. Bodywork

1. Unless otherwise allowed, standard body appearance must be strictly maintained.
2. Body and frame seams and joints may be welded. The OEM radiator supports may be replaced or reinforced to make repairs easier. The radiator supports shall not reinforce the rest of the chassis or diminish the OEM crush zones.
3. Bumper brackets may be modified, but bumpers must remain in OEM locations.
4. Non-essential body items and trim may be removed including attaching brackets and supporting structure. Any holes in bodywork exposed by the removal of these items shall be covered or filled.
5. All of the vehicle's doors must be able to be opened from both inside and outside the vehicle. Latches and hinges for the doors may be modified, but must remain in working order. Aftermarket latches and hinges may be used but shall not protrude beyond outer surface of bodywork. The stock side impact beams may be removed when NASCAR style door bars are installed.
6. Hood and trunk pins, clips, or positive action external latches are permitted. Stock hood and trunk latches and hinges may be disabled or removed; if so, a positive action external fastening method shall be used. Engine compartment insulation may be removed.
7. Openings in the bodywork may be temporarily covered, wholly or partially, with tape for the purpose of regulating airflow. Bodywork openings may be closed off using close-out panels or screens mounted behind body openings. Bodywork seams may not be taped except to temporarily secure it after contact.
8. All bodywork and windows shall be sufficiently rigid, adequately supported and properly secured such that it does not noticeably flutter, move, or deform while vehicle is in motion.
9. Convertible tops and attaching hardware shall be completely removed. It may be replaced with an OEM hardtop if one is available. Aftermarket OEM-style hardtops are allowed; aftermarket carbon fiber hardtops are not allowed.
10. It is permitted to roll under or flatten any interior lip on the wheel opening for tire clearance. Cars with plastic/composite fenders may remove any interior wheel opening lip, but the resulting material edge shall be no thinner than the basic fender material thickness. Non-metallic inner fender liners may be removed.
11. All cars may replace the hood, hatch, and/or trunk/deck lid with nonmetallic composite parts. The OEM appearance shall be maintained on the part. All other body panels shall be OEM parts.
12. The OEM front and rear fascias shall maintain the OEM crushable structure/support. The OEM crushable structure/support may be lightened as long as it is still recognizable as being the OEM crushable structure/support. The bumper shock absorbers may be removed. The OEM front and rear fascias shall be attached at the stock locations. OEM equivalent fascias may be used, must maintain OEM shape. Replacement fascias may not be made of carbon fiber.
13. Fasteners are free provided they are of the same material family and diameter as the fastener it is replacing.
14. Any interior or exterior mirrors may be used.

D. Aerodynamic Devices

1. Front Air Dam
 - a. A front spoiler/air dam may be added. It shall not protrude beyond the overall outline of the body when viewed from above perpendicular to the ground, or aft of the forward most part of the front fender opening.
 - b. The spoiler/air dam shall be mounted to the body, and may extend no higher than four (4) inches above the horizontal centerline of the front wheel hubs. The air dam shall have no support or reinforcement extending aft of the forward most part of the front fender wheel opening.
 - c. The minimum ride height of the air dam is 3.0 inches.
 - d. Openings are permitted for the purposes of ducting air to the brakes, cooler(s), and radiator(s).
2. Undertray
 - a. An undertray may be added. The undertray may close out the underbody from the leading edge of the approved bodywork (including air dam) back to the centerline of the front axle.
 - b. The minimum ride height of the undertray is 3.0 inches.
3. Splitter
 - a. Definition: A horizontal, single-plane aerodynamic device attached to the lowest point of the front of the vehicle, protruding forward. It is intended to divert air and produce downforce through vertical pressure differential. A splitter shall have no vertical deviations.
 - b. A front splitter may be added. A maximum of 4 rods or cables may be used to support the front

9.1.4. Super Touring Category Specifications

and/or sides of the splitter. No other material(s) may be used external to the body to support the splitter.

- c. The front splitter must not extend more than 2.0 inches past the original or approved bodywork as viewed from above for the entire profile of the splitter.
 - d. No part of the splitter shall extend laterally any further than the widest point of the outside sidewall of the front tires with the wheels pointed straight ahead.
 - e. The splitter may have vertical deviations, fences, etc., only if they are part of the production bodywork for street use.
 - f. The minimum ride height of the front splitter is 3.0 inches.
4. Rear Wing
- a. A rear wing may be added.
 - b. The wing shall be mounted to the trunk/deck lid with 2 mounting brackets. Each mounting bracket shall attach to the wing at a point that is at least 2.0 inches inboard of endplates. The wing, and the portion of the mounting brackets located externally to the trunk/deck lid, may only be reinforced by a diagonal strut having no aerodynamic effect, and/or by affixing the external parts of the brackets to internal parts of the brackets within the trunk/cargo area. The internal parts of the brackets may protrude through the trunk/deck lid to allow the two parts of each bracket to be fastened together.
 - c. Factory wings, spoilers, underbody diffusers, and roof vortex generators are permitted, but must be removed if an approved aftermarket wing is installed.
 - d. Wings shall be a single element with a maximum chord length of 8.50 inches, including any Gurney flap. Maximum allowable Gurney flap height is 0.50 inches.
 - e. The entire wing assembly may be no wider than a maximum of 48.25 inches. Unless otherwise specified in the applicable rules the measurement of aero dynamic devices and reference areas shall include end plates but not include fasteners as long as the fasteners serve no other purpose. Fasteners may protrude no more than 1/2" from the mounting surface.
 - f. The entire rear wing assembly, including the end plates and any Gurney flap, shall be mounted a minimum of 6.0 inches below the peak of the roof or roll cage main hoop whichever is higher, measured at the highest point. Cars with a wagonback/notchback/hatchback style body may have the rear wing assembly, including the end plates and any Gurney flap, mounted a maximum of 4.0 inches above the highest point of the roof. For this subsection, a wagonback/notchback/hatchback style body (or variations of these) is a car in which the rear edge of the roofline is no more than 28.0 inches forward of the rearmost bodywork as measured along the vehicle longitudinal centerline.
 - g. The trailing edge of the rear wing, including end plates and gurney flap, may be mounted no further rearward than the center of the rearmost part approved bodywork.
 - h. Wing end plates must not exceed 64.0 square inches each.
 - i. APR performance GTC-200 "SCCA Spec" wing element, part #AS-104801, variable cord length (8.75" inner chord), is permitted. All other GCR 9.1.4 requirements - including, but not limited to, mounting, location, height, and end plates limits - must be met.
5. A close-out panel may be mounted behind the grille.
6. Aftermarket side skirts may be used provided they meet the minimum ride height rule of 3 inches, have no openings/ducts in them other than for jacking insert(s), or side exit exhaust, are no wider than the approved fascias, do not extend any higher than the bottom of the door and do not reinforce the chassis. Aftermarket Side Skirts may not be wider than 5" in the plan view.
7. Canards or dive planes are not permitted unless part of the OEM bodywork.

E. Interior

1. The following items must be removed: tool kit, spare tire, supplemental restraint systems (SRS) and passive restraint systems.
2. The following items may also be removed:
Headliner, sun visor, carpeting, carpet pad and/or insulation, soundproofing, OEM seats, all trim except the dashboard, heating and air conditioning systems, window winding mechanisms, central locking systems, audio system, and any other systems fitted to the original car solely for the comfort of the driver and/or passengers.
3. The following items may be installed:
Safety equipment/structures, seat, controls necessary for driving, instrumentation, electronic equip-

ment, radio, camera, battery, driver cooling system, driver ventilation system, replacement door panels/interior trim, anti-sway bar controls (not within reach of driver). None of the above items may hinder driver exit from the car.

4. The above components shall be attached to/contained in the chassis in such a way as to be able to withstand 25g deceleration. Any sharp edges shall be covered, padded, protected, etc. to prevent injury to driver, crew, course workers, and officials.
5. The driver's seat shall be located in the same lateral location as the OEM seat, unless otherwise allowed on a car's spec line. The transmission tunnel may be modified for the purpose of installing a competition driver seat. The floor pan must remain in its original position. The driver's seat shall be located longitudinally.
6. Stock dash/instrument panel cover (dash pad) must be used. Original instruments/gauges may be replaced, or supplemented, with additional engine monitoring gauges. Accessories, lights and switches may be added or removed. Box-type extensions from the dash pad may be used to mount switches and controls, in the areas where the OEM insert panels were mounted, so that they more easily accessible to the driver. Audio and video systems may be removed.
7. Vertical bulkheads, and enclosures, within the cockpit shall not be any higher than the bottom of the side windows, and shall not extend more than 18.0 inches above the floor pan. No bulkheads shall cover the rear foot wells.
 - a. Sedan Body (4-door) and Hatchback Body (3-door) - Any bulkheads positioned in front of the plane determined by the OEM rear seat back shall not extend laterally from one side of the chassis to the other, but rather shall only be large enough to cover the individual components necessary.
 - b. Coupe Body (2-door) - Any bulkheads positioned in front of the plane determined by the OEM rear seat back, if applicable, may extend laterally from one side of the chassis to the other.
8. Dash pad modification – It is permitted to modify the dash pad in order to run the roll cage tubes through the dash area as long as the dash pad is modified only enough for roll cage fitment. If necessary, the dash pad may be parted to ease installation around roll cage. Any such parting shall be done in such a way as to minimize the appearance that they have been separated once pieces of dash pad are installed.

F. Chassis

1. All cars shall have the OEM rear package shelf and/or rear seat back support structure installed if applicable. As an alternative, a metallic close out panel may be installed that simulates the rear package shelf and/or the rear seat back support structure if applicable. If a close out panel is used to clean up the appearance of the rear package shelf and/or rear seat bulkhead in conjunction with the OEM structure, the close out panel material is free.
2. Cables, wiring and fluid lines in the engine compartment and cabin interior may be replaced, rerouted, and/or protected.
3. Cars that have drive shafts shall have 2 steel, 360-degree loops of sufficient strength located as close as possible to the front and rear universal joints to prevent the driveshaft from dropping in case of failure of either universal joint. Floor materials, torque tubes and cross members may also be utilized to provide this protection.
4. It is permitted to attach one or more plates, or pads, under the car to provide for jacking of the car, provided they serve no other purpose. It is prohibited to install any kind of device, which protrudes from the rocker panel or side of the car. However, tubes may be attached to the roll cage or chassis and extend to the inner surface of the rocker panel or bodywork to act as a receptacle for a jacking fixture. Air jacks are permitted, but no air source may be carried on board.
5. Ride height will be measured without driver at the lowest point of the rocker panel, not including the pinch weld.
6. The OEM firewall between the cockpit and engine compartment shall be intact to prevent the passage of flames from the engine compartment to the cockpit. Any holes in the firewall must be of the minimum size for the passage of controls and wires, and must be completely sealed.
7. Both front windows, driver and passenger, shall be down (preferably removed) whenever the vehicle is on track. The OEM window opening on the front doors shall not be filled in with any material, other than the material required to mount a NACA-duct for driver cooling. If used, the NACA-duct shall be mounted in the window opening. The area closed off to mount the NACA-duct shall not exceed 50 square-inches. In rain conditions, a quarter window larger than 50 square-inches may be used in the area normally used to mount the permitted NACA duct, in an attempt to minimize the amount of water entering the cockpit. Enough open area for the driver to exit in an emergency shall remain open at all times.
8. All vehicles must use a stock, OEM equivalent, safety glass windshield, or 0.25 inch minimum thickness Lexan replacement, mounted in the stock location, at the stock angle and maintaining the stock

9.1.4. Super Touring Category Specifications

profile.

9. Windshield clips, per GCR section 9.3 Windshield Clips/Rear Window Straps, are permitted and recommended.
10. Side windows, not including the front door windows, and rear windows may be replaced by clear Lexan-type plastic material having a minimum thickness of 0.125 inch, but must retain the same shape, size, and location as the original glass. ducts may be mounted in the side windows. The rear window must be secured by 2 additional straps 1.0 inch wide by 0.0625 inch thick minimum, bolted or riveted to the body at both the top and bottom of the rear window. If a Lexan rear window is mounted with multiple, evenly spaced screws around each side of its perimeter, safety straps are not required. If a DOT spec glass rear window is used in conjunction with the OEM method of mounting, safety straps are recommended, but not required.
11. Windows may be mounted and sealed with silicone. Any silicone used to bridge the gap between the perimeter of the window and the chassis shall be neat in appearance and uniform in thickness. Tape may only be used to seal the windows during wet track sessions for the purpose of reducing the amount of water entering the cockpit.
12. OEM side window framework shall be intact.
13. Unused mounting tabs and brackets that are non-structural, excluding the rear seat back support and package tray, may be removed.
14. The OEM "rain gutter/tray" at the base of the windshield shall be intact and in the OEM location.
15. The floor pan may be modified to provide clearance for the exhaust system and allowed alternate transmission/transaxle.
16. Inner fender panels may be modified or replaced.
17. Convertible model cars may compete with a hardtop or as an open car.

G. Engine

1. Alternate engines may be used, provided:
 - a. The manufacturer of the vehicle and engine are the same (e.g., an Acura engine installed into a Honda car) and was available in a car delivered in the United States.
 - b. Vehicles delivered with engines from other manufacturers (e.g. Morgan, Panoz, etc) may only use the originally installed engine, or another engine manufactured by the chassis manufacturer (e.g. Lotus Elise may use the Toyota ZZ engine, or any other Lotus manufactured engine that complies with the class rules, however a Lotus Esprit may not install a Toyota ZZ engine).
 - c. The chosen engine must retain its original long block, subject to STCS prep allowances.
 - d. The long block assembly of the alternate engine must remain within the engine compartment with no modifications, however the firewall may be modified to provide clearance for intake manifolds and/or engine accessories.
 - e. It is permitted to use the OEM intake and throttle body from either the chassis or the installed engine.
 1. Regardless of the intake chosen, the total number of throttle bodies must remain the same as the installed engine.
 2. If needed, to allow the intake manifold fit on the engine, an adapter plate between the engine and manifold is permitted. This adapter plate must be no more than 1.0 inch thick and must be made of the same material as either the head or intake manifold.
2. Engines from vehicles not available in a car delivered in the United States will be considered and approved on a case-by-case basis for use in ST. For an engine to be considered, a member must submit a classification request to the CRB with the following information:
 - a. Detailed request of the chosen engine (e.g., Honda K20A)
 - b. Make and model of car from which the engine originates (e.g., 2007+ JDM Honda Civic Type-R (FD2))
 - c. Manufacturer-stated power output specifications (e.g., 222hp@8000 RPM, 159ft-lbs torque@6000RPM)
 - d. Vehicle Technical Specifications (VTS) form (see scca.com to obtain a copy) with all engine-related parameters filled out.
 - e. Copies of the appropriate factory shop manual (PDF and/or scanned to PDF) with all pages relevant to the specifications of the chosen engine.
 - f. Detailed list of any required/desired deviations from the STCS that will be required for installa-

tion (e.g., trans adapter plate, alternate intake manifold, etc.) noted in the "Requested Non-Stock Allowances" section of the VTS.

- g. Once this information is received and considered, any approved engines will be noted in a separate table within the STCS.
 - h. Note that unless otherwise approved and specifically listed in the table, all specifications of the engine (e.g., parts prep, valve lifts, compression ratio, etc.) must meet all STCS specifications.
3. The crankshaft shall be a stock OEM part or an aftermarket part as long as it is of identical dimensions and material as the OEM part for the specific engine. The crankshaft may be balanced. The maximum weight reduction allowance for balancing of the crankshaft is 0.5 lbs.
 4. Connecting rods are unrestricted, but must be ferrous unless OEM supplied..
 5. Blocks may be sleeved to repair cylinder walls. Engines may be bored to a maximum of 1.2mm (.0472in) over standard bore size. Any surface treatment originally applied from OEM manufacturer on the specific engines bore may be re-applied after sleeving engine block.
 6. Rocker arm, lifter, follower, pushrod, valve spring, keeper, retainer, guide, seat, and valve materials are free; Titanium is not permitted, except for retainers or OEM parts. The head and camshaft carrier may be machined to fit valve train components. Alternate valve train components may be used. Rocker arms may be substituted, i.e. solid may convert to roller. OEM valve head diameter must be maintained.
 7. Alternate camshafts are allowed; see individual class rules for lift limits. Camshaft timing is free.
 8. Cars produced with an electronic throttle body may use the OEM electronic throttle body. The OEM electronic throttle body may be converted to manual actuation and the actuation cam on a manual throttle body may be changed to alter the opening/closing rate of the butterfly. Alternately actuated throttle bodies may be considered on a case by case basis. Vehicle/engine combinations with manual OEM throttle bodies may be converted to an OEM electronic throttle body of the same inner diameter as the original OEM throttle body.
 9. The ignition system is unrestricted.
 10. A programmable ECU is permitted. Engine calibration including Traction Control is free.
 11. Fuel injectors and fuel rails must maintain the original number and mounting locations, but are otherwise free. Fuel pumps and fuel filters are free in type, size and number.
 12. The location and type of the fuel pressure regulators are free.
 13. The oil pan and oil pickup may be baffled, modified, or replaced. The OEM oil pump may be modified, or replaced with an OEM-style oil pump.
 14. Vents, breathers, oil filters, and oil coolers may be added, or substituted. All emission control devices may be removed and the resulting holes plugged.
 15. Replacement gaskets and seals are free, including head gaskets. Replacement gaskets and seals must be made out of material(s) designed to seal the parts of an engine. Replacement gaskets and seals may not perform any other functions. Head gaskets may be used to adjust compression ratio.
 16. Variable cam timing (VTEC, VANOS, etc.) and variable geometry intake manifolds may be partially, or wholly, removed or disabled. Variable cam timing systems that use multiple cam lobes for each valve(s) may remove lobes from the camshaft(s) that are not being used. For 13B Rotary Engines the 5th and 6th intake port actuators and valves may be removed or disabled.
 17. To increase the compression ratio, the bottom of the head may be machined. Alternate pistons are permitted and/or the pistons may be machined.
 18. Cars utilizing forced induction may not have a boost controller within reach of the driver. A car must enter pit lane to have the boost level changed by the crew if necessary. Competitors must be prepared to demonstrate the boost adjustment process to officials.
 19. Engine parts, including, but not limited to, heads, intake manifolds and carburetors, may be cleaned using usual methods (e.g., bead blasting, soda blasting, Scotch Brite pads) as long as part dimensions are not altered.
 20. Components upstream of the throttling devices are free.
 21. Alternate water pump, alternator, crankshaft dampers, and/or power steering pulleys are unrestricted. Crankshaft pulley is unrestricted for all non-supercharged engines; supercharged engines must use OEM crankshaft and supercharger pulleys.
 22. Alternate flywheels are permitted. Flywheel material shall be ferrous or aluminum and the ring gear diameter must be the same as the OEM flywheel.
 23. Accusump-type systems may be used.

9.1.4. Super Touring Category Specifications

24. Piston rings are free.
25. Rotary engines: Alternate rotor seals and springs are permitted. Rotors may be machined or lightened.
26. Engine bearings are free.
27. Engine coatings are free.
28. Hardware items (nuts, bolts, etc.) may be replaced by similar items performing the same fastening function(s).
29. Any engine balance shafts and associated gears or pulleys may be removed and the resulting openings plugged (including those in oil passages). Alternate pulleys or gears, of the same number as stock, may be installed in the location of the balance shaft pulleys or gears if required for timing belt or chain operation; they must serve no other purpose.

H. Cooling Systems

1. Water Cooling

Provided that the stock method of cooling is retained, the cooling system is free, including cooling fans. Water radiator(s) must remain in the approximate OEM location or removed. The mounting angle may be changed.

2. Intake Air Cooling- Cars utilizing forced induction may install intercoolers. The number, type, and location of intercoolers are free.
3. Water Spray Systems- Water may not be sprayed on any intercoolers, radiators, etc. Water spray systems may only be used to inject water into the brake ducts.

I. Fluid Piping & Fuel Tank

1. There must be a metal bulkhead completely separating the cockpit from the compartment containing the fuel cell. This does not negate the requirement that the fuel cell bladder be contained in a metal container.
2. No line containing engine coolant may pass through the cockpit. No hydraulic fluid lines may have removable connectors inside the cockpit.
3. All fluid hoses, lines, reservoirs, and tanks that are in the cockpit, or cargo area that is open to the driver, shall be separated from the driver by rigid metallic and/or non-metallic enclosures and/or deflection shields to prevent fluid from spraying on the driver in case of a leak. Magnesium is prohibited. Waterproof flexible wraps may also be used to prevent fluid from spraying on the driver. The floor of these enclosures, or the area under the deflection shields, shall be designed to prevent the accumulation of fluids.
4. No fuel cooling devices are permitted in the car.

J. Exhaust System

1. The exhaust system may be modified, or replaced.
2. Outlets must be located rearward of the midpoint of the wheelbase.
3. The exhaust pipe may not protrude more than 3.0 inches at the point where it exits the bodywork. If the exhaust pipe(s) exit the bodywork at the widest part of the body such that any extension of the exhaust pipe(s) beyond the body would make pipe(s) the widest point, the exhaust pipe(s) must be trimmed flush (+/- 0.5 inch) with the bodywork at the point that they exit the body. Minor body modifications are permitted to accommodate exhaust systems. Modifications shall serve no other purpose. The underbody rocker panels may be modified for the installation of the exhaust system, but these modifications may only serve to provide clearance for the exhaust system. The exhaust system must be adequately isolated from the driver's compartment.
4. If the exhaust system is routed in such a way that damage to it could cause hot exhaust to contact any part of the fuel system, there shall be a metallic heat shield protecting the fuel system components. This heat shield shall be located at least 3.0 inches away from the exhaust system, and there shall be at least 3.0 inches between the heat shield and the fuel system components.

K. Electrical System

The electrical system is free provided that:

1. Batteries are free, subject to GCR section 9.3. Batteries.
2. Standard headlights, headlight operating ancillaries, turn signals, and parking light assemblies may be removed and replaced with a plate of identical shape and size of the lens. Standard headlight assemblies may be replaced with aftermarket units of equal dimension. Vehicles with pop-up and/or hidden headlights may modify and/or remove the headlight assemblies as long as the headlight cover and any other external hardware are properly secured in the stock closed location.

3. Fog/driving lights, parking lights and associated attaching hardware may be removed. The resulting openings may be used to duct air, or may be filled/covered. No ducting may extend beyond the outer surface of the bodywork.
5. Each car must be fitted with at least one effective windshield wiper assembly, which must be in working order throughout the event. Wiper blades, arms and associated hardware may be substituted freely. Other windshield wiper assemblies may be removed.
6. Each car must have an effective defogging/demisting system that is capable of keeping the windshield clear during wet sessions. Anti-fog films meet this requirement.

L. Drivetrain

1. Alternate differential housings are permitted from the same model of vehicle. Differential may be open, locked, or of a limited-slip type. The internals of limited-slip type differentials may be modified to change the amount of slip limiting. Differentials with external, or electric, adjustability are prohibited. Driveshaft and half-shafts may be aftermarket, but shall be the OEM-type and use steel or aluminum. Drive shafts may be replaced by one piece drive shafts, and conversely.
2. Vent and/or breather lines may be added to the transmission and/or differential. Transmission and differential coolers are permitted.
3. Hardware items (nuts, bolts, etc.) may be replaced by similar items performing the same fastening function(s).
4. Drivetrain coatings are free.

M. Suspension and Steering

1. All suspension members must be made from ferrous and/or aluminum materials. Chromium plating of suspension members is prohibited.
2. Suspension springs are free. Coil-over units may be added to supplement or replace OEM springs. Attaching points may be reinforced. It is permitted to use threaded spring seats for adjustability.
3. Shock absorbers and struts are free. Driver adjustable systems and electronically controlled shocks are not permitted. If a reservoir/adjustment canister is used, only one may be used per shock. The shocks at each individual wheel may not be connected in any way.
4. Stabilizer bars are free, and may be added, removed, or substituted. Driver adjustable stabilizer bars are not permitted. Adjustment controls for stabilizer bars may be located within the cockpit, but must be out of the reach from the driver's seat. Adjustments to stabilizer bars during practice, qualifying and race must be done in pit lane.
5. Unless otherwise specified, suspension components shall be the stock OEM parts, but they may be reinforced. Standard suspension bushings may be replaced with solid or spherical bushings.
6. Cars equipped with MacPherson strut suspension may de-camber wheels by the use of eccentric bushings at control arm pivot points, by the use of eccentric bushings at the strut to bearing carrier joint, and/or by use of slotted adjusting plates at the top mounting point. If slotted plates are used, they shall be located on existing chassis structure and may not reinforce that structure. Material may be added or removed from the top of the strut tower to facilitate installation of adjuster plates.
7. For double wishbone suspension, camber adjustment devices (plates/shims/eccentric, etc.) are unrestricted but are limited to one per wheel. Front and rear upper control arms may be modified or replaced with items that allow camber and/or caster adjustment only. The OEM rear toe adjustment arm may be replaced with any substitute.
8. On other forms of suspension, camber adjustment may be achieved by the use of shims and/or eccentric bushings.
9. Independent rear suspension mounting holes may be slotted and reinforced for purposes of camber and/or toe adjustment. Material may be removed from the top of the strut tower to facilitate installation of adjuster plate.
10. Any anti-roll bar(s) and rear axle traction bar(s), rear axle panhard rod and watts linkage can be added or substituted, provided their installation serves no other purpose. The mounts for these devices can be welded or bolted to the car. These devices and their mounts cannot be located in the trunk or driver/passenger compartment unless fitted as stock. Rear axle traction bar(s) used to control axle housing rotation must be solid bar or tube.
11. When a car's anti-roll bar also acts as a suspension locating device, the bar's attachment points and pivot points on the chassis and suspension control arms must remain in their stock locations.
12. Slotted plates may be added over original shock mounts on front and rear shock towers for camber/caster adjustment. One bolt-in brace may connect the front strut towers, and one bolt-in brace may connect the rear strut towers.
13. All steering components, with the exception of the steering wheel, column and tie-rods/toe-links, must be original equipment supplied by the manufacturer. These parts may be strengthened provided the original part can still be identified.

9.1.4. Super Touring Category Specifications

14. The steering wheel may be replaced with an aftermarket, or racing steering wheel. Wood-rimmed steering wheels are not permitted. An all-metal quick release coupling on the steering wheel may be added.
15. A collapsible steering column shall be used. Most recent OEM steering columns have at least 2 universal joints in them that allow the steering column to collapse on impact. This type of design (with at least 1 universal joint) must also be used in any steering column extension(s) that may be used to reach the driver's competition seating position.
16. Power steering may be modified in any of the following ways:
 - a. disconnected , pump, belt, pulley, and hoses may be removed. Hoses may also be looped. Steering rack or box may be modified internally to work without pump.
 - b. an OEM manual steering rack for that model may be fitted
 - c. an electric power steering pump may be fitted
 - d. an OEM electric-assisted steering system may be used
 - e. an OEM hydraulic-assisted steering system may be used
17. Hardware items (nuts, bolts, etc.) may be replaced by similar items performing the same fastening function(s).
18. Allow alternate front wheel front hubs for the 90-05 Mazda Miata: Mazda Motorsports Development Part #0000-04-5HUB-S1.

N. Brakes

1. Brake lines may be relocated, and rubber lines may be replaced with stainless steel braided brake lines. Non-pressurized brake fluid lines and master cylinders need not be metal, metal shielded, or bulkheaded. Pressurized brake fluid lines must be metal, metal shielded, or bulkheaded. ABS actuation hardware and wiring may be relocated anywhere within the engine compartment.
2. Brake proportioning valves may be used provided that they are of the in line, pressure limiting type. Brake pad friction material is free.
3. Hand brake assemblies may be removed. Backing plates and dust shields may be modified, ventilated, or removed.
4. Brake duct inlets may be added, solely for the purpose of ducting air to the front brakes. These allowed ducts must be incorporated in the front spoiler as standard, in light openings other than headlights, in an allowed air dam, and/or by the removal of the fog lights and/or stock false grills originally located in the front fascia.
5. Water spray cooling systems are permitted. The amount of water carried for injection into the brake duct is free. Water-cooled calipers are forbidden.
6. When any allowed alternate calipers are used, calipers must be mounted in the same location and orientation as the OEM calipers. OE caliper mounting tabs may be modified or removed to facilitate installation.
7. Titanium piston inserts are permitted.
8. Alternate brake rotors are allowed. Rotors may be 1- or 2-piece rotors made of ferrous material. If a 2-piece design hat and rotor is used, the hat must be made of ferrous or aluminum material. Rotors may be cross-drilled and/or slotted. Maximum allowed rotor sizes are noted within class specifications.
9. Vehicles with drum rear brakes may convert to disc.
10. Vehicles not equipped with ABS brakes may reduce their weight by 2%.
11. See individual class regulations for further restrictions/allowances.

O. Tires & Wheels

1. Tires must conform to GCR section 9.3. Tires.
2. Wheels / Hubs- The standard wheels may be replaced with direct, bolt-on racing/aftermarket wheels under the following provisions:
 - a. All cars must run the same size wheel on the same axle.
 - b. As viewed from above at the centerline of the wheel; the fender shall completely cover the "tread" portion of the tire. Only the tire sidewalls may be visible.

- c. The wheel material is free, but they must be constructed of metallic material(s). No modifications (including grinding) are permitted on a vendor-supplied wheel.
- d. Valve stems and caps are free.

9.1.4.1. STU SPECIFIC TECHNICAL REGULATIONS

A. Chassis and Bodywork

1. Minimum ride height is 4.0 inches.
2. Hoods may have a maximum of 2 vents installed for cooling purposes. The maximum combined total area of the vents shall not exceed 200 square inches. The 200 Square inches includes any area that deviates from the factory hood profile. Louvers within the 200 sq. inch are allowed. Louver vents that are OEM do not count in the number of vents allowed or 200 square inch allowance.

3. Advanced Aerodynamics

The following maximum specifications regarding aerodynamic allowances can be used with a 5% weight penalty:

- a. The front splitter must not extend more than 3.0 inches past the original or approved bodywork as viewed from above for the entire profile of the splitter.
- b. A wing assembly no wider than the widest part of the body (Not including the mirrors), with a maximum cord length of 12", and end plates that do not exceed 72.0 square inches each. No part of the wing assembly may be no higher than roof height.
- c. Canards or dive planes are permitted. 2 per side not exceeding 50 square inches each.

4. Fender Flare

The exterior contour of all wheel openings may be flared a maximum of 2" with a 1% weight penalty. The fender/wheel opening or any other part of the body forming the wheel opening, when viewed from the top perpendicular to the ground, must cover the portion of the tire that contacts the ground while the car is at rest. The flare of the exterior contour of any wheel opening may not change the wheel opening size, location or shape when viewed from the side. The overall vehicle width may not exceed the manufacture's published width, plus 4".

B. Engines

1. Engines up to 6 cylinders and 3200 cubic centimeters factory displacement are permitted.
2. Turbo inlet restrictors designed per GCR Appendix F Technical Glossary definition of "Turbo Inlet Restrictor" may be required; see table 9.1.4.h.2. Swapping of turbochargers between engine makes and models is prohibited. Supercharged cars may be approved on a case-by-case basis; twin turbo engines are allowed on a case-by-case basis only. Contact the Road Racing Technical Office for details. Twin turbo engines may be converted to single turbo using one of the allowed alternate turbos (see 9.1.4.H.3). Aftermarket turbocharger and supercharger kits will be allowed on a case-by-case basis.
3. Alternate intake manifolds will be permitted on a case-by-case basis.
4. Porting of intake manifolds and cylinder heads is free on piston engines.
5. Compression ratio on spark-ignition engines is limited to 12.0:1. Compression ratio on compression-ignition engines is unrestricted.
 - a. On Spark-Ignition engines, in those cases where the stock compression ratio is greater than allowed above, stock compression ratio may be used. 1.8% shall be added to the engine base weight for every 0.50 point of additional compression ratio (e.g., 12.01:1-12.50:1 = +1.8%, 12.51:1-13.00:1 = +3.6%). Competitor must provide proof of stock compression ratio being greater than 12.0:1 in order to utilize this allowance.
6. Valve lift is limited to .600 inches.
7. Dry sump systems are permitted. The oil tank shall be located within the bodywork.
8. Clutch and pressure plate is free. Carbon clutch components are prohibited.
9. Boost control/wastegate actuation is free, subject to 9.1.4.G.19. Modifications to turbocharger are limited to only that necessary for wastegate control.
10. Valve seat and valve head angles are free.

C. Drivetrain

1. Engine and gearbox mounts may be solid.
2. Transmission and ratios are free. Forward gears are limited to 6 speeds. Cars equipped with automatic are limited to 8 forward speeds. Cars with sequential shift transmissions including factory DCT-type systems shall increase the required minimum weight by 3.5%.

D. Suspension and Steering

9.1.4. Super Touring U (STU) Specifications

1. Cars that come with a solid rear axle or trailing arm suspension are permitted an aftermarket or fabricated rear suspension. Cars with an altered rear suspension must add 50 lbs. Cars with live axle rear wheel drive may reduce the minimum weight by 50 lbs
2. Original suspension pick-up points below the upper line of the wheel rim must be used within a tolerance of 1.0 inch; however, if the lower suspension pickup point is changed from the OEM location, 50 lbs. must be added to the car. The body/frame around the pick-up points may be reinforced; this reinforcement shall be limited to a radius of 6.0 inches. The 1.0 inch tolerance applies to pick-up points on the chassis only.
3. Suspension mounting points above the upper line of the wheel rim must be retained within a tolerance of 3.0 inches, however, the body/frame around the pick-up points may be reinforced; this reinforcement shall be limited to a radius of 6.0 inches. The 3.0 inch tolerance applies to pick-up points on chassis only.
4. The spindle and/or outer joint on the a-arm and/or strut may be moved to correct bump steer caused by changing the vehicle ride height. These components are not limited to the 1.0 inch of movement that applies to the suspension pick-up points located on the chassis.
5. Alternate control arms permitted.
6. Spherical bearings are permitted on suspension components.
7. Alternate suspension components including spindle, knuckle, hubs, etc. sourced from the same manufacture are permitted.

E. Brakes

1. Maximum rotor size 331mm in diameter, 32mm in thickness.
2. Calipers- The standard production calipers or any 4-piston or fewer calipers may be used. 6 piston calipers may be used with a 1% weight penalty.
3. Original equipment master cylinders and pedals may be replaced.
4. Power assisted braking systems are permitted.
5. The balance of braking forces between the two wheels on an axle shall be equal and non-adjustable.
6. The balance of braking forces between the front and rear axles may only be adjusted by the driver through:
 - a. Direct intervention on the position of the center of the joint, on the linkage lever of the hydraulic pumps of the front and rear circuits.
 - b. Direct intervention on a proportioning valve in which the intake pressure is adjusted through a pre-loaded spring.

F. Wheels

1. Wheels may not exceed 18 inches in diameter *or* 8.0 inches in width for vehicles 2950 lbs. *and under minimum allowed race* weight. Vehicles *over 2950 minimum allowed race* weight may use a 9 inch wide wheel.

G. Tires

1. A maximum section width of 245 is permitted.

H. Weights and Engine Allowances

1. Minimum weights for cars with normally aspirated piston engines will be determined by the following table. Displacement is the stock displacement for the installed engine. For the purpose of weight assignment, engine displacement will be rounded to the nearest 50cc (e.g., 2176cc = 2200cc and 2175cc = 2150cc). Normally-aspirated engines of fewer than 4 valves per cylinder may reduce base engine weight 9%.

Factory Engine Displacement (cc)	Minimum Weight (lbs)
1600	1760
1650	1815
1700	1870
1750	1925
1800	1980
1850	2035
1900	2090
1950	2145
2000	2200

2050	2255
2100	2310
2150	2360
2200	2400
2250	2440
2300	2480
2350	2520
2400	2560
2450	2595
2500	2635
2550	2675
2600	2710
2650	2750
2700	2790
2750	2825
2800	2860
2850	2895
2900	2930
2950	2960
3000	2990
3050	3025
3100	3070
3150	3110
3200	3150

2. Factory turbocharged engines must run the stock turbo or any turbo from the following list:
 - KKK/Borg-Warner K04
 - IHI VF30, VF39, or VF48
 - Garrett GT2554R, p/n 471171-3
 - Borg-Warner EFR6258
3. All turbocharged engines shall use a turbo inlet restrictor. Vehicle base weight is determined by TIR size selected from the following table. Turbocharged engines of greater than 2.7L displacement shall use the weight either as listed in the lbs/cc or restrictor size/lbs charts, whichever is greater. Turbocharged engines utilizing Direct Fuel Injection (DI) shall increase their base weight by 3%.

Inlet Restrictor (mm)	Minimum Weight (lbs)
33	2380
34	2525
35	2675
36	2820
37	2985
38	3150
39	3315
40	3480
RWD cars must reduce restrictor 1 mm from this table.	

4. Front wheel drive cars may reduce their minimum weight by 5%. Front wheel drive cars with a strut type front suspension may reduce their minimum weight by an additional 2.5%.
5. All cars in Table B: Approved World Challenge Cars, listed in Table B must be run in accordance with an approved VTS sheet of 2009 or earlier and in accordance with World Challenge 2009 Appendix A. Appendix A is available on the www.scca.com website on the Road Racing Technical Forms and Downloads page (accessible from the Road Racing Cars and Rules page).
6. The minimum weight is determined by the installed engine displacement. It is to be used as the base weight for any chassis related adjustments. Chassis related adjustment that are percentage based are performed by adding specified percent first and subtracting specified percentage second if necessary. Final step is addition or subtraction of specified weight in pounds.

Table A: Alternate Vehicle and Engine Requirements

Table A, Requirements specifies deviations from the STCS that competitors are required to do if they are running the following cars, engines, and/or combinations. All other GCR/STCS specs apply, except as noted below.

STU	Maximum Displacement (cc's)	Minimum Weight	Notes
Honda K20C1 Turbo I4	1996	3025	35mm TIR required.
Mazdaspeed Miata	1839	Chart - 2mm	
Mazda MZR (LF, L3, L5)	varies	Chart	Short blocks, heads, and intakes may be freely swapped within these engine designations. May use Goodwin Part # 61-2510 Intake manifold. Must use stock throttle body or Acura part number 16400-PND-A17.
Mazda 13B-REW	NA	Chart	Must meet all other STU regulations. Must remove twin turbos and run single turbo from approved list of alternate STU turbochargers.

Table B: Alternate Vehicle and Engine Allowances

Table B, Allowances specifies deviations from the STCS that competitors are allowed to do if they are running the following cars/engines/combinations. If the competitor chooses an allowance from the below table they are required to meet all spec line notes. All other GCR/STCS specs apply, except as noted below. All World Challenge-spec vehicles must meet World Challenge VTS as listed and World Challenge 2009 Appendix A, unless otherwise specified; competitors must have the VTS sheet for scrutineers upon request. Tires must meet GCR section 9.3 Tires.

STU	Maximum Displacement (cc's)	Minimum Weight	Notes
Audi/VW 1.8 Turbo	1797	3050	35mm turbo inlet restrictor required.
BMW S52B32	3152	3110	Engines are permitted 0.040 overbore, 0.5 point increase in compression. Engines must use the OEM camshaft and stock intake plenum.
BMW S50B32 Euro	3201	3300	Engines are permitted 0.040 overbore, 0.5 point increase in compression. Engines must use the OEM camshaft. Engine must use stock intake plenum.
BMW S54 B32 OEM	3246	3300	Cannot use Super Touring engine allowances and must be OEM as delivered for sale in the U.S., including stock intake plenum, and camshafts. Engine cylinders may /VW 1.8 be over bored 1mm. Compression may increase .5. No porting allowed.
BMW E46 3 Series	2500	Chart	Adapter BMWAD1 or BMWAD2 permitted to mate M50 throttle body to M54 intake manifold.
BMW S14B20	1990	Chart	Must meet all STU engine regulations

Table B: Alternate Vehicle and Engine Allowances

Table B, Allowances specifies deviations from the STCS that competitors are allowed to do if they are running the following cars/engines/combinations. If the competitor chooses an allowance from the below table they are required to meet all spec line notes. All other GCR/STCS specs apply, except as noted below. All World Challenge-spec vehicles must meet World Challenge VTS as listed and World Challenge 2009 Appendix A, unless otherwise specified; competitors must have the VTS sheet for scrutineers upon request. Tires must meet GCR section 9.3 Tires.

STU	Maximum Displacement (cc's)	Minimum Weight	Notes
Chevrolet Cobalt /Cavalier (supercharged)	1998	2650	GM stage 2 kit allowed. OEM Camshaft lift.
Dodge SRT4	2458	Chart	Mitsubishi TD05HR-15GK2 turbocharger permitted.
Ford/Mazda BPT	1839	Chart	
Honda Accord V6 (13-16)	3471	3075	Must meet PWC VTS dated 2/5/16. Must conform to STCS tire rules.
Honda/Acura B20	1973	Chart	May use Cylinder Head and Intake Manifold from VTEC B16 or B18 engine. Manifold must be from same as the Cylinder Head, i.e. B16 Intake with B16 Head.
Honda CRX (84-91)		Chart	Ineligible for front wheel drive weight reductions.
Honda Civic Del Sol (93-97)		Chart	Ineligible for front wheel drive weight reductions.
Honda Civic Si TCA (2017-)	1500	2800	Engine cannot use ST allowances and must be OEM, Bodywork must be OEM. Only the following parts can be used: HPD 6 piston front calipers #45025F23SA600 allowed, (4 piston front calipers -25 lbs), HPD CAT Delete pipe 18150-F23S-A6, HPD Flywheel 22100-F23S-A6, HPD FR HPD 4th Gear Set 23460-F23S-A6, HPD Differential 41100-F23S-A6, HPD Flywheel 22100-F23S-A6, HPD RR Damper Mount 52670-F23S-A6, HPD Spring FR 2.5" 550LB 51401-FC4Y-A6, HPD Spring RR 2.5" 800LB 52441-FC4Y-A6, HPD Adjustable RR Upper Arm 52390-F23S-A6, HPD TCA ABS modulator permitted part #57100-F23S-A6 to disable stability and traction control. 37mm TIR required as of 6-1-19.
Honda JDM H22a	2157	Chart	Must meet all ST engine regulations.
Honda K20A (JDM)	1998	Chart + 2%	
Honda K23	2354	Chart	May use K24 block. Must use K23 crankshaft. Must use K23 cylinder head. Maximum bore of 87mm.

GCR - 458

9.1.4. STU Spec Lines

Table B: Alternate Vehicle and Engine Allowances

Table B, Allowances specifies deviations from the STCS that competitors are allowed to do if they are running the following cars/engines/combinations. If the competitor chooses an allowance from the below table they are required to meet all spec line notes. All other GCR/STCS specs apply, except as noted below. All World Challenge-spec vehicles must meet World Challenge VTS as listed and World Challenge 2009 Appendix A, unless otherwise specified; competitors must have the VTS sheet for scrutineers upon request. Tires must meet GCR section 9.3 Tires.

STU	Maximum Displacement (cc's)	Minimum Weight	Notes
Honda K24	2354	Chart + 2%	K20a2, k20z1, and k20z3 heads are permitted. Competitor must possess factory shop manuals for both engines. May use intake part #s 17100-RRB-A00, or 17100-PRB-A10.
Honda S2000		Chart	K series engines allowed with stock S2000 intake manifold and throttle body. Alternate differential cover Evasive motorsports #EVS-AP-DIFF-HC is permitted. F20/F22 K24 Crank Shaft allowed, must use chart weight for achieved displacement.
Honda S2000	2000	3100	HKS Supercharger kit 12001-AH006 and 12001-AH010 allowed, supercharger pulley 130mm diameter, crankshaft pulley diameter 152.3mm. Comptech S/C Kit 354-090, Crank Pulley Diameter 5.9" measured at the top of the Groove, S/C Pulley 5".
Honda S2000	2157	3150	HKS Supercharger kit 12001-AH006 and 12001-AH010 allowed, supercharger pulley 130mm diameter, crankshaft pulley diameter 152.3mm. Comptech S/C Kit 354-090A, Crank Pulley Diameter 5.9" measured at the top of the Groove, S/C Pulley 5".
Improved Touring Vehicles (1985-)	See GCR 9.1.3	See GCR 9.1.3	Must completely conform to ITCS requirements. Tires must conform to 9.1.4, Tires & Wheels.
Lexus IS 300	2800	3080	Maximum bore: 87mm; maximum stroke: 78mm.
Lotus Elise Cup R	1797	2300	Stock super charger pulley and injectors required.
Lotus Elise SC/ Lotus Exige SC	1796	2300	Stock supercharger pulley and injectors required.
		2500	Minimum 3.1" supercharger pulley, stock camshaft required, open injectors allowed.
Mazda B6 Engine	1597	2400	Jackson Supercharger kit #1000-03-900 allowed, 90mm/6-rib supercharger pulley diameter, 152mm/6-rib crankshaft pulley diameter.
<i>Mazda BP5A</i>	<i>1839</i>	<i>Chart</i>	<i>May use engine in its entirety or specific components from the engine.</i>

GCR - 459

9.1.4. STU Spec Lines

Table B: Alternate Vehicle and Engine Allowances

Table B, Allowances specifies deviations from the STCS that competitors are allowed to do if they are running the following cars/engines/combinations. If the competitor chooses an allowance from the below table they are required to meet all spec line notes. All other GCR/STCS specs apply, except as noted below. All World Challenge-spec vehicles must meet World Challenge VTS as listed and World Challenge 2009 Appendix A, unless otherwise specified; competitors must have the VTS sheet for scrutineers upon request. Tires must meet GCR section 9.3 Tires.

STU	Maximum Displacement (cc's)	Minimum Weight	Notes
Mazda KJ-ZEM Miller-Cycle 2.3L V6	2225	chart	Mazda 2.5 KL non-supercharged intake allowed without supercharger.
Mazda Miata	N/A	N/A	Drivers side dropped floor plan allowed to not fall below the frame rails.
Mazda Renesis	NA	2300	No porting allowed. Alternate 70mm choke throttle body from the following list allowed: OE from 1996-2004 Mustang 4.6 liter V8; BBK #1700 (e.g., Summit #BBK-1700); Summit #227204; Trickflow #24070 1" thickness max manifold adapter allowed.
Mazda 12A Bridge Port	NA	2350	Induction: 1 Nikki 4 barrel carburetor with primary chokes bored to match secondary chokes on a stock manifold, or 1 Auto-type 2 barrel carburetor with 42mm chokes on a "dual-y manifold.
Mazda 12A S Street Port	NA	2250	Induction: 1 Nikki 4 barrel carburetor with primary chokes bored to match secondary chokes on a stock manifold, or 1 Auto-type 2 barrel carburetor on a "dual-y" manifold.
Mazda 13B Bridge Port	NA	2550	Allow any dual throttle body/bodies. Chokes must be located within 4" of the throttle butterfly. Auto-type 2bbl w/ 42ml choke(s) with any dual-Y manifold.
Mazda 13B Street Port	N/A	2400	Allow any dual throttle body/bodies. Auto-type 2bbl with any dual-Y manifold. Unrestricted.
Mazda 13B Street Port	NA	2250	Allow any dual throttle body/bodies. Chokes must be located within 4" of the throttle butterfly. Auto-type 2bbl w/ 42ml choke(s) with any dual-Y manifold.
Mazda 13B Turbo	N/A	Chart	Limited to Streetport only. Stock turbos are not allowed; only alternative turbos listed in the STU rules are allowed.
Mini Cooper S SC	1598	1900	Stock supercharger pulley
		2100	JCW Pulley permitted.
Nissan 350Z	3000	3300	Nissan VQ30, 93.0 bore by 73.3 stroke
Nissan SR20DET	2000	Chart	
Pontiac Solstice/Saturn Sky	2400	Chart	May use hardtop GM PCS-0664 or equivalent aftermarket. May compete with stock fuel tank.

GCR - 460

9.1.4. STU Spec Lines

Table B: Alternate Vehicle and Engine Allowances

Table B, Allowances specifies deviations from the STCS that competitors are allowed to do if they are running the following cars/engines/combinations. If the competitor chooses an allowance from the below table they are required to meet all spec line notes. All other GCR/STCS specs apply, except as noted below. All World Challenge-spec vehicles must meet World Challenge VTS as listed and World Challenge 2009 Appendix A, unless otherwise specified; competitors must have the VTS sheet for scrutineers upon request. Tires must meet GCR section 9.3 Tires.

STU	Maximum Displacement (cc's)	Minimum Weight	Notes
Porsche 944	1800	3050	VW/Audi 1.8L 35mm turbo inlet restrictor required.
Porsche 944	2000	Chart	VW/Audi 2.0L turbo engine permitted.
Rocky Mountain Division SpecM3 cars	See class regs	See class regs	Must completely conform to the 2011 SpecM3 regs. Competitors must have a copy of the 2011 rules in their possession.
Scion FR-S / Toyota 86	2000	Chart	4U-GSE engine may use OEM 12.5:1 compression ratio.
Scion TC SC	2362	2300	TRD supercharger kit allowed. OEM camshaft lift.
Subaru BRZ	2000	Chart	FA20 engine may use OEM 12.5:1 compression ratio.
Subaru BRZ/ Scion FRS / Toyota 86	2000	2750	Jackson Racing S/C Kit, part # 000-07-300 and 2130-07-R01 SC Pulley, 110mm, FR-S/BRZ permitted.
Subaru BRZ / Scion FRS / Toyota 86	2000	2850	Cosworth Stage 2 Power Package supercharger kit, part #: COS2 20046685, stock crankshaft pulley, supercharger pulley diameter 68.6mm.
Subaru BRZ / Scion FRS / Toyota 86	2000	2850	Edelbrock Supercharger Kit part #1556, 6-rib 3.25" pulley measured over .098" gauge wire placed in between grooves.
Subaru BRZ/ Scion FRS / Toyota 86	2000	3000	Kraftswerks C30-94 supercharger kit allowed, 127.5mm crankshaft drive pulley and 95mm blower pulley.
Toyota 4AGZE	1587	1955	Permitted with stock supercharger.
Toyota JDM 3SGTE	1998	Chart	Must meet all other STU specifications.
Volkswagen GTI/GLI	1984	Chart	K04 turbocharger permitted.
Volkswagen Jetta Mk4	1805	Chart	IHI VF30 Turbo Permitted. May install TIR in the OEM turbo inlet housing. Must comply with all TIR specification.
Volkswagen GTI/GLI MK5	1984	Chart	K04 turbocharger permitted. May install TIR in the OEM turbo inlet housing. Must comply with all alternate TIR location specification.
World Challenge Spec* Acura Integra Type R		2475	VTS v2 dated 1.09.2010

GCR - 461

9.1.4. STU Spec Lines

Table B: Alternate Vehicle and Engine Allowances

Table B, Allowances specifies deviations from the STCS that competitors are allowed to do if they are running the following cars/engines/combinations. If the competitor chooses an allowance from the below table they are required to meet all spec line notes. All other GCR/STCS specs apply, except as noted below. All World Challenge-spec vehicles must meet World Challenge VTS as listed and World Challenge 2009 Appendix A, unless otherwise specified; competitors must have the VTS sheet for scrutineers upon request. Tires must meet GCR section 9.3 Tires.

STU	Maximum Displacement (cc's)	Minimum Weight	Notes
World Challenge Spec Acura RSX Type S		2670	VTS v1 dated 2.24.2009
World Challenge Spec* Acura TSX (04-08)		2975	VTS v1 dated 2.24.2009. 52 mm restrictor per WC Appendix A
World Challenge Spec* Acura TSX (09-11)		2870	VTS v4 dated 3.13.2009. 2009 VTS only; no 2010-11 specs permitted. 50 mm restrictor per WC Appendix A
World Challenge Spec* Ford Focus Coupe		2677	VTS v1 dated 2.24.2009
World Challenge Spec* Ford Contour/ Mercury Cougar (96-00)		2750	VTS v3 dated 6.16.2002
World Challenge Spec* Mazda 6		2975	VTS v3 dated 7.15.2009 52.5 mm restrictor per WC Appendix A
World Challenge Spec* Mazda MX5 (2005-)	2489	2500	VTS dated 1/15/2013. Must meet STCS Ride Height.
World Challenge Spec* Mazda MX-5 (2005-)	2489	2750	VTS dated 1/15/2013, Revision 4 Dated 2/5/2016.

GCR - 462

9.1.4. STU Spec Lines

9.1.4.2. STL SPECIFIC TECHNICAL REGULATIONS

A. Chassis

1. Minimum ride height is 5.0 inches.

B. Engines

1. Engines up to 4 cylinders and 2000 cubic centimeters factory displacement are permitted, except those from cars and engines as follows:

The following vehicles in their entirety are ineligible for STL:

(none at this time)

The engines from the following cars are ineligible for STL:

(none at this time)

Forced induction is not permitted in STL. Forced induction engines, may be approved to remove turbo/superchargers on a case by case basis. Engine must comply with all STL regulations.

2. Manifold and cylinder head port matching on engines is permitted. No material may be removed further than one (1) inch in from the manifold to cylinder head mounting faces. Carburetor mounting surfaces shall not be modified. External dimensions of the cylinder head or intake manifold may not be reduced to facilitate internal porting. Two piece manifolds must not be port matched at their intermediate point. Valve guide material is unrestricted.
3. Valve seat and valve head angles are free.
4. Compression ratio is limited to 11.0:1.
 - a. In those cases where the stock compression ratio of an engine is greater than allowed above, stock compression ratio may be used. 1.5% shall be added to the engine base weight for every 0.50 of additional compression ratio (e.g., 11.01:1-11.50:1 = + 1.5%, 11.51:1-12.00:1 = + 3%). Competitor must provide proof of stock compression ratio being greater than 11.0:1 in order to utilize this allowance.
5. Valve lift is limited to .425 inch for 4 or more valve/cylinder engines, .425 inch intake and .450 inch exhaust for 3 valve/cylinder engines, and .450 inch for 2 valve/cylinder engines.
 - a. In those cases where the stock valve lift of an engine is greater than allowed above, stock camshafts may be used. 0.5% shall be added to the engine base weight for every .025 inch of additional valve lift (e.g., .426-.450 = + .5%, .451-.475 = + 1%). Competitor must provide proof of stock valve lift being greater than allowed above in order to utilize this allowance.
6. Any clutch disc and pressure plate of OEM diameter may be used. Carbon clutch components are prohibited.

C. Drivetrain

1. Engine and gearbox mounts may be solid, but must not relocate the engine or transmission in any direction.
2. Either the original transmission or an alternate transmission must be used; the alternate transmission must be from the same manufacturer as the vehicle (i.e., an Acura transmission may be installed in a Honda car). Alternate transmissions must be used in their entirety; any OEM gear sets (drive and driven gear pairs) that fit w/o any modifications to gears, shafts, and/or case are permitted. Modifications to input shafts for fitment are allowed.
3. Any final drive ratio is permitted provided it fits the differential/transaxle housing without modification to the housing.
4. Any limited-slip or locking differential is permitted.
5. Short shift kits are allowed.

D. Suspension

1. Bushing material, including that used to mount a suspension subframe to the chassis, is unrestricted. This includes the use of spherical bearings, so long as no suspension component is modified to facilitate their installation. Retention of spherical bearings by use of tack welds is permitted, as long as the welds serve no other purpose.
2. Rubber bump stops may be removed, modified, or replaced, but their chassis mounts, brackets, etc., may not be altered in any way.
3. Unless otherwise allowed in these regulations, no other relocation or reinforcement of any suspension component or mounting point is permitted.
4. Hardware items (nuts, bolts, etc.) may be replaced by similar items performing the same fastening function(s).

E. Brakes

1. Maximum rotor size 300mm in diameter, 28mm in thickness.
2. Calipers - Any 4-piston or fewer calipers may be used.
3. Any alternate OEM master cylinder and/or booster are allowed, as long no modifications are done to any other component for installation. Booster may be removed and replaced with a fabricated mounting plate, and the actuator rod may be modified or replaced, as long as no others modifications are done to any other component.
4. Modifications may be made to the foot pedals to improve the comfort of and control accessibility to the driver.

F. Wheels

1. Wheels may not exceed 17.0 inches in diameter or 7.0 inches in width.

G. Tires

A maximum section width of 225 is permitted.

H. Weight Requirements

1. Minimum weights for cars with normally aspirated piston engines will be determined by 1.35 lbs/cc displacement for the installed engine (see following table). Displacement is the factory displacement for the installed engine. For the purpose of weight assignment, engine displacement will be rounded to the nearest 50cc (e.g., 2176cc = 2200cc and 2175cc = 2150cc).

Factory Engine Displacement (cc)	Minimum Weight (lbs.)
1300	1755
1350	1823
1400	1890
1450	1958
1500	2025
1550	2093
1600	2160
1650	2228
1700	2295
1750	2363
1800	2430
1850	2498
1900	2565
1950	2633
2000	2700

2. Rear wheel drive cars with strut front suspension must add 0.5 percent to their baseline STL weight. All other rear wheel drive cars must add 2.5 percent to their standard baseline STL weight.
3. Front wheel drive cars with a strut type front suspension may reduce their minimum weight by 2.5 percent.
4. The minimum weight is determined by the installed engine displacement. It is to be used as the base weight for any chassis related adjustments. Chassis related adjustment that are percentage based are performed by adding specified percent first and subtracting specified percentage second if necessary. Final step is addition or subtraction of specified weight in pounds.

I. Car and Engine Specific Allowances

(continued on following pages)

NOTES:

Table A: Alternate Vehicle and Engine Requirements

Table A, Requirements specifies deviations from the STCS that competitors are required to do if they are running the following cars, engines, and/or combinations. All other GCR/STCS specs apply, except as noted below.

STL	Maximum Displacement (cc's)	Minimum Weight	Notes
Acura/Honda B16		Chart	53mm flat plate restrictor required.
Acura/Honda B17		Chart	53mm flat Plate restrictor required.
Acura/Honda B18B		Chart	
Acura/Honda B18C1		Chart	53mm flat plate restrictor required.
Acura/Honda B18C (JDM Type R), B18C5 (USDM Type R), B18C6 (UK and Euro Type R), B18C7 (Australia Type R)		Chart	52mm flat plate restrictor required.
Honda F20C		Chart	50 mm flat plate restrictor required. Must meet ALL STL regulations.
Honda/Acura K20		Chart	50mm Flat Plate restrictor required. Honda throttle body #16400-RAA-A130 or #16400-PRB-A14 and Karcepts adaptor #KIMO1 may be used.
Mazda Miata	N/A	Chart	Drivers side dropped floor plan allowed to not fall below the frame rails.
Mazda MZR		Chart	52mm flat plate restrictor required. Unmodified cable-operated throttle body, Acura part number 16400-PND-A17, 60mm ID, allowed. Must meet ALL STL regulations.
Mazda 12A		2150	The 5th and 6th intake port actuators and valves may be removed or disabled.
Mazda 13B		2498	The 5th and 6th intake port actuators and valves may be removed or disabled. Turbo 13B engines may be used with turbo(s) removed. Must use intake from non turbo 13B.
Mazda B5 DOHC		Chart	Must meet ALL STL regulations.

GCR - 467

9.1.4. STL Spec Lines

Table B: Alternate Vehicle and Engine Allowances

Table B, Allowances specifies deviations from the STCS that competitors are allowed to do if they are running the following cars/engines/combinations. If the competitor chooses an allowance from the below table they are required to meet all spec line notes. All other GCR/STCS specs apply, except as noted below.

STL	Maximum Displacement (cc's)	Minimum Weight	Notes
ITA-spec and ITS-spec RX7	See GCR 9.1.3	See GCR 9.1.3	Must completely conform to ITCS specifications. Tires must conform to 9.1.4, Tires & Wheels.
ITS, ITA, ITB, or ITC vehicles (1985-)	See GCR 9.1.3	See GCR 9.1.3	Must completely conform to ITCS specifications. Tires must conform to 9.1.4, Tires & Wheels.
GM Ecotech	2000	Chart	LNF Engine Permitted with turbocharger removed. LNF Engine short block with LE5 cylinder head and intake manifold permitted. Any combination of GM Ecotech engine family permitted. Must use 55mm flat plate restrictor. Must meet all other STL specifications.
Honda D15B (JDM)	1493	Chart	Must meet all STL engine regulations. May not take advantage of over-cam or over-compression allowances per 9.1.4.2.B.4 or 9.1.4.2.B.5.
Honda D16A8/D16A9 (JDM ZC)	1590	Chart	Must meet all STL engine regulations.
Mazda BP-Z3/BP-VE (EDM)		Chart	
Mazda BP5A	1839	Chart	Must meet all STL engine regulations.
Mazda MX-5 Cup	2000	2600	Must comply with 2014 SCCA Pro Racing MX-5 Cup Regulations. Competitor must have the rules in their possession and present them upon request. The driver's helmet clearance shall be measured over the driver's head from the driver's side hoop to the center hoop. Any OEM or aftermarket hardtop permitted that retains the OEM roof silhouette, including part #0000-07-5901, the discontinued DG Motorsports top (if a hardtop is used, latches shall be replaced with positive fasteners). Tires per STL regulations. Brake pad compound are open. SM5 rules can be found here - https://www.scca.com/pages/technical-forms-and-downloads .

Table B: Alternate Vehicle and Engine Allowances

Table B, Allowances specifies deviations from the STCS that competitors are allowed to do if they are running the following cars/engines/combinations. If the competitor chooses an allowance from the below table they are required to meet all spec line notes. All other GCR/STCS specs apply, except as noted below.

STL	Maximum Displacement (cc's)	Minimum Weight	Notes
Mazda Spec MX5 Challenge	2000	2500	Mazda MX5 Challenge car must utilize the following components: Roush CNC cylinder head 0000-01-5300, Mahle standard or +0.005 0000-01-5310, OEM camshaft, 11:1 compression ratio, header 0000-06-5407-NC, exhaust 0000-06-5427-NC, cold air intake 0000-06-5150-KT, ECU flash 0000-01-5379, Pagid front brake pads 0000-03-5104-SP or endurance pads 0000-03-5104-EN, Pagid rear brake pads 0000-03-5114-SP or endurance pads 0000-03-5114-EN, Penske front shock 0000-04-5291-SA, Penske rear shock 0000-04-5292-SA, Penske rear mount kit 0000-04-5358, Front mount kit 0000-04-5359, Front offset bushing 0000-04-5407-NC, Eibach front springs 0000-04-9700-08, Eibach rear springs 0000-04-9400-07, Eibach helper springs 0000-04-9926, Eibach front sway bar 0000-04-5306-FT, Eibach rear sway bar 0000-04-5306-RR, Interior finish panels 0000-07-5822, C&R radiator/oil cooler assembly 0000-01-5504-CR, Oil cooler adapter and lines 0000-01-5511-KT, ACT clutch 0000-02-5004-G6, wheels 17x8 #0000-04-5706-GM, # 0000-04-5706-SL, and Toyo RR 235-40-17 dry, Toyo RA1 235-40-17 wet. <i>Alternative tires on 17x7 wheels per STL rules.</i> No other Super Touring modifications or allowances permitted except as noted in this spec line.
Mazda MX-5 Global Cup (16-18)	2000	2450	Must meet all MX-5 Global Cup rules. Any OEM or aftermarket hardtop is permitted that retains the OEM silhouette. If a hardtop is used, latches shall be replaced with positive fasteners. OBD2 requirement does not apply. Ballast box may be removed. Tires per STL rules.
Mazda MX-5 Global Cup (2019)	2000	2550	Must meet all MX-5 Global Cup rules. Any OEM or aftermarket hardtop is permitted that retains the OEM silhouette. If a hardtop is used, latches shall be replaced with positive fasteners. OBD2 requirement does not apply. Ballast box may be removed. Tires per STL rules.
Mazda Renesis	NA	2700	No porting or port matching is permitted. 60mm flat plate restrictor required. Alternate 70mm choke throttle body from the following list allowed: OE from 1996-2004 Mustang 4.6 liter V8; BBK #1700 (e.g., Summit #BBK-1700); Summit #227204; Trickflow #24070 1" thickness max manifold adapter allowed.

Table B: Alternate Vehicle and Engine Allowances

Table B, Allowances specifies deviations from the STCS that competitors are allowed to do if they are running the following cars/engines/combinations. If the competitor chooses an allowance from the below table they are required to meet all spec line notes. All other GCR/STCS specs apply, except as noted below.

STL	Maximum Displacement (cc's)	Minimum Weight	Notes
Mazda RX-7 12A (79-85)	NA	2300	Street Porting of the engine only. Bridge porting, peripheral porting, and eyelash porting are prohibited. Contact SCCA National Office for details of Street porting. Stock Nikki 4 bbl carburetor on a stock manifold only. Allow the standard removal of emissions related components, and allow air and fuel jets to be corrected. Modification of the water jacket in the area of the spark plug for cooling purposes is permitted.
Nissan SR20DE (USDM spec)	Chart	Chart	SR20DET block, part number 10103-50FMO, allowed for purpose of installation in Nissan/Infiniti RWD chassis only. All other components must meet STCS regulations.
Pontiac Solstice/Saturn Sky		Chart	May use hardtop GM PCS-0664 or equivalent aftermarket. May compete with stock fuel tank. 4" ride height allowed.
Spec Miata	See GCR 9.1.7	See GCR 9.1.7	Must completely conform to SMCS specifications, except spec tire not required.
Toyota 20 Valve 4AGE (Black / Silver Top)	1600	Chart + 2%	Must meet all STL engine regulations.
Toyota 3S-GE VVTi	1998	Chart	50mm Flat Plate required, Must meet all other STL specs including Valve Lift and Compression Ratio.
Volkswagen ABF	1984	Chart	
Volkswagen 1.8L R4 20VT	1781	Chart	Engine Permitted with turbocharger removed. Must meet all other STL specifications.
Volkswagen 2.0 TFSI	1984	Chart	Engine Permitted with turbocharger removed. Must meet all other STL specifications.

9.1.5. PRODUCTION CATEGORY

A. Philosophy

The Production category exists to provide the membership with an opportunity to compete in series produced cars. While a Production car retains many **stock components**, the current rules allow for high performance **modifications** to enhance the safety, power and handling of the car. Production cars are specified at two levels of preparation, Level 1 (Full Prep) and Level 2 (Limited Prep). The commitment for the future of Production is to the Level 2 formula. Every aspect of a car being classed will be considered. The normal criteria for consideration are, but not limited to: **engine** size and configuration, horsepower potential, driveline **components**, brakes, car weight, **suspension** configuration, **wheels**, and **body** style. Any car with an aspect or aspects that the Club Racing Board feels has fallen outside the current classes and cars classed, can be excluded from one or all of the current Production classes. The Club can alter **specifications** to equate the competition potential of each car in its modified form.

B. Classification

The Club will use the following guidelines when determining a car's suitability for classification in the Production category:

1. Production cars are specified at two levels, Level 1 and Level 2. Cars can be specified at either level or a combination of both.
2. Classification will be based on the **specifications** of the base model of the car, as it was delivered for sale in the United States.
3. Cars submitted for new classification in the Production Category must be series produced in quantities of no less than 3000 within a twelve month period.
4. Requests for classification may be initiated by members, the Club Racing Board or its Production Advisory Committee. Members who wish to suggest a car for classification should fill out a Vehicle Technical Specification sheet (available at <http://www.clubracingboard.com>) and submit it to the Club Racing Board.
5. Any Improved Touring car meeting all the requirements of ITCS 9.1.3 may compete in the Production class in which the same make, model and engine displacement car is classified. For Improved Touring cars competing in Production, the level of preparation and modifications will be as determined by ITCS 9.1.3 and not by PCS 9.1.5, *including tire limitations as defined in 9.1.3.D.8.a.2.*
6. *Any B-Spec car meeting all the requirements of BSCS 9.1.10 may compete in the Production class in which the same make, model and engine displacement car is classified. For B-Spec cars competing in Production, the level of preparation and modifications will be as determined by BSCS 9.1.10 and not by PCS 9.1.5, including tire limitations as defined by 9.1.10.E.7.*

C. Specifications

The SCCA will publish Production Car **Specifications** (PCS) each year. The PCS will contain the **specifications** for each car eligible to compete in the Production Category for that calendar year.

1. Each line of the PCS will list the make, model(s), level of *drivetrain* and **suspension/steering** preparation, along with all other car specific **specifications**.
2. Cars can be updated or backdated within the **specifications** for the makes and models listed on the same **specification** line of the PCS.
3. The use of non **stock components** may be permitted. Non **stock components** can be permitted to equate competition potential.
4. **Track specifications** will be set at 103% of the car's **stock track**, plus 2.5 inches.
5. For percentage-based weight penalties, all applicable percentage values shall be summed first, and then applied to the vehicle's minimum specified base weight, as listed in the PCS. The minimum vehicle weight shall be rounded to the nearest pound. For example, a car with a 1950lbs minimum specified base weight, that's running a non-stock gear-engagement transmission and non-stock brake rotors and/or calipers, would calculate its minimum weight as follows:

5% transmission penalty + 2% brakes penalty = 7% total penalty

7% total penalty * 1950 lbs base weight = 2086.5 lbs

2086.5 lbs rounded to nearest pound = 2087 lbs minimum weight

D. Interpretation

1. An **addition, modification, substitution** or **removal**, must not be made unless specifically authorized.
2. An authorized **addition, modification, substitution** or **removal** can not perform a prohibited function. An authorized **addition, modification, substitution** or **removal** of one **component** does not permit the **addition, modification, substitution** or **removal** of any other **component** unless the **addition, modification, substitution** or **removal** is specifically authorized.
3. The levels of preparation on the cars **specification** line are the only levels that apply to that car. Authorized **modifications** in one level of preparation can not be used to determine or justify authorized

modifications in another level of preparation.

4. The entrant of a car prepared to any of the level 2 **specifications**, must be in possession of a factory workshop manual at all competitions.
5. When the PCS refers to a **component** as being unrestricted, this permits the **addition, modification, substitution** or **removal** of that **component**.
6. A rule that pertains to a specific **component** supersedes a general rule that might otherwise apply.
7. If any word is used in the Production car **specifications** is defined in the technical glossary of the GCR, it will be interpreted as defined. Terms with corresponding glossary definitions are bold highlighted throughout the PCS.

E. Authorized Modifications

1. *Drivetrain* Level 1

a. *Drivetrain* Component Modification

1. **Stock** and permitted alternate **components** of the *drivetrain* can be modified by any mechanical or chemical means. **Modification** of a *drivetrain* **component** does not permit relocation of that **component**.
2. No material or mechanical **extension** can be added to any **stock** or alternate **component**, unless specifically authorized by these rules. **Repairs** to a **stock** or alternate **component** are permitted, provided the **repair** serves no prohibited function.
3. **Stock** and permitted alternate **components** of the *drivetrain* can have thermal barrier and friction altering coatings applied.

b. Induction System

1. All inducted air must pass through the **venturi(s)** of the car's **carburetor(s)**, except that which passes through a stock/original idle control device. Any carburetor(s) with restricted venturi(s) must retain such venturi(s) in the original location within the carburetor. The throttle plate, shaft location, and bore diameter (as measured at the throttle plate) shall remain as specified. The number and type of carburetors must not be changed from stock, unless otherwise specified by the vehicles spec line. In all other regards, standard and approved optional carburetor(s) are unrestricted.

All single carbureted cars may fit a permitted optional carburetor. Where the use of one (1) 40 DCN, DCNF, IDF **carburetor** is specified, a permitted optional carburetor may be substituted. Permitted optional carburetors are:

1. Weber 32 DGV/DGAV/DGEV
2. Weber 32/36 DGV/DGAV/DGEV
3. Weber 32/36 DFV/DFAV/DFEV
4. Weber 34 DAT/DATR/DATRA/DMTR
5. Holley-Weber 5200.

Where Weber **carburetors** are specified, Weber type **carburetors** can be **substituted**. Permitted Weber type **carburetors** are:

1. Solex
2. SK
3. Mikuni
4. Delorto
5. Berg
6. PMO
7. EMPI
8. FAJS

Where auto-type carburetor(s) are specified, permitted carburetors are:

1. Weber
2. Solex
3. SK
4. Mikuni
5. Delorto
6. Berg
7. PMO
8. EMPI
9. FAJS
10. Zenith
11. Stromberg

9.1.5. Production Category Specifications

12. SU
13. Rochester
14. Holley

Note: The orientation of the auto type carburetor(s) (downdraft or sidedraft) must remain as in the stock induction system, or as specified on the vehicles spec line.

2. **Stock** or permitted alternate sidedraft **carburetor(s)** can use an adaptor plate and/or a spacer in **addition** to any **stock** spacer, between the **carburetor(s)** and the **intake manifold**. Material for the adaptor plate and spacer is unrestricted. No adaptor plate or spacer can serve any purpose other than to space out and/or mate the **carburetor(s)** to the permitted **intake manifold**. The adapter or spacer cannot create a plenum or change the **carburetor(s) orientation**. The maximum thickness for the adapter, spacer, **stock** spacer or combination of all is 1.25". For the purpose of these rules an Isolator is a spacer.
 3. **Stock** or permitted alternate downdraft **carburetor(s)** can use an adaptor plate and/or a spacer in **addition** to any **stock** spacer, between the **carburetor(s)** and the **intake manifold**. Material for the adaptor plate and spacer is unrestricted. No adaptor plate or spacer can serve any purpose other than to space out, or mate the **carburetor(s)** to the permitted **intake manifold**. The adapter or spacer cannot change the **carburetor(s) orientation**. Adaptors and spacers can have a **bore** larger than the throttle **bore** of the **stock** or permitted alternate **carburetor(s)**. The maximum thickness for the adapter, spacer, **stock** spacer or combination of all is 1.25". For the purpose of these rules an Isolator is a spacer.
 4. Fuel injection: All inducted air must pass through the throttle body and be subject to control by the throttle butterfly, except that which passes through a stock/original idle control device. The stock throttle body casting/housing must be retained. The inside dimensions of the throttle body casting/housing (as measured at the throttle butterfly) must remain stock, but the throttle body can otherwise be ported and polished. The dimensions of the throttle butterfly must remain stock. The throttle butterfly shaft shall not be relocated. The outside diameter of the portion of the throttle butterfly shaft located in the throttle body bore must be no smaller than stock. The contour of the interface between the throttle butterfly shaft and the butterfly must remain stock. The throttle butterfly and any throttle butterfly to shaft screws/bolts can be attached to the throttle butterfly shaft by any means including welding or brazing. Holes or slots can be created in the throttle butterfly for purposes of idle adjustment only. The number of injectors must remain stock. The mounting position and the injection point must be stock. Electronic fuel injection may be substituted for the stock type of fuel injection. In all other respects the fuel injection system is unrestricted.
 5. All carburetors must retain the **stock** method of fuel distribution. Utilization or **modification** of a carburetor's **components** to affect an annular discharge configuration is prohibited.
 6. **Air cleaners, velocity stacks, air supply ducts and cold air boxes** are unrestricted.
 7. **Stock** or permitted alternate **intake manifold(s)** can be ported and **polished**. It/they can be cut apart to facilitate this work. When the **manifold** is re-welded, the external dimensions of the **manifold** must remain unchanged from **stock**. No modification of the cylinder head or end plate is allowed when fitting a permitted alternate intake manifold. Balance pipes or tubes on all intake manifolds can be plugged or restricted.
 8. The **accelerator pedal** and **linkage** to the **throttle butterfly** is unrestricted. Electric throttle control is prohibited unless fitted as **stock**. Two spring loaded **systems** of positive throttle closure are strongly recommended.
 9. Stock/original idle control devices can be utilized in their original, unmodified location and condition, or completely removed and any resulting openings blocked off. A mechanical stock/original idle control device can be replaced with an electronic stock/original type of idle control device, with the original mechanical idle ports in the throttle body blocked off.
- c. **Fuel pumps**, lines, filters, and pressure regulators are unrestricted, provided no **component** serves any fuel cooling purpose. **Fuel lines** can pass through the driver/passenger compartment. If a mechanical pump is **removed**, a blanking plate can be used to cover the **stock** opening.
- d. Emission system **components**, control devices, associated lines, nozzles and wiring must be **removed** and any resultant holes plugged. The plugs must serve no other purpose.
- e. Cylinder Head
1. Porting, **polishing**, and machining within the limits of Production Car Rule E.1.a.1 E.1.a.2., is permitted. **Valve guides** and **valve seats** are unrestricted.
 2. If the **stock fuel injection** is **removed** and **carburetors** are utilized, the **stock fuel injection** ports in the cylinder head must be plugged. The plugs must serve no other purpose.
 3. The cylinder head can be machined to utilize **o-rings** to replace or supplement the cylinder head

gasket.

4. Holes resulting from the **removal** of **EGR valves** and air nozzles must be plugged. The plugs must serve no other purpose.
- f. **Camshaft and Valve Gear**
1. **Camshafts** are unrestricted. Any lifters, **tappets** or cam followers of the same type and diameter as **stock** are permitted. The interchange of hydraulic and solid lifters is permitted.
 2. Camshaft timing chains, **gears**, belts, and **sprockets** are unrestricted provided that they are of the same type and outside diameter as fitted **stock**. Single row or double row camshaft timing chains can be used. **Adjustable timing gears** are permitted.
 3. A timing chain/belt tensioner can be added to an **engine** where a tensioner is not fitted as **stock**, provided that it acts upon the portion of the chain/belt that travels from the final cam **sprocket/gear** to the **crankshaft**. The **timing belt** cover can be **removed**.
 4. Any **metal valves** meeting the specified head diameter can be used. Any **valve springs** of the same type as **stock** can be used. **Valve retainers**, lash pads, **valve keepers**, **seals** and adjustment shims are unrestricted.
 5. **Pushrods**, **valve rocker arms**, shafts and attendant assemblies are unrestricted.
- g. **Block and Cylinders**
1. The **block** can be rebored no more than 1.2mm (.0472 in) larger than the maximum dimension given on the **specification** line for that make, model, and **displacement**. A cylinder **block** from any model from the same manufacturer, which is of the same material and dimensionally identical throughout, except for non-critical **bosses**, is permitted. **Oil passages** can be re-routed, enlarged, restricted or plugged.
 2. Cylinders or **cylinder sleeves** of any material can be fitted to the **block**.
 3. **Crankshaft main bearing caps** and **main bearing cap** bolts are unrestricted. **Crankshaft main bearing cap** girdles are unrestricted. **Crankshaft main bearing caps** can be more than one piece.
 4. The **block** can be machined to utilize **o-rings** to replace or supplement a cylinder head **gasket**.
 5. **Crankshaft oil seal(s)** are unrestricted.
- h. **Pistons and Connecting Rods**
1. **Pistons**, pins, clips and/or pin retainers and **piston rings** are unrestricted. **Pistons** must be constructed of **metal**.
 2. Alternate **ferrous connecting rods** of the same crank pin center to the piston pin center dimension as **stock** are permitted.
 3. **Connecting rod** bolts and nuts are unrestricted.
- i. **Crankshaft and Flywheel**
1. An alternate **crankshaft** is permitted. The crankshaft must be constructed of **ferrous** material, and must have the same **stroke** as **stock**. Journal diameters can be a maximum undersize of 0.045 from **stock** diameter. The crankshaft must retain the **stock** throw angles and **firing order**.
 2. The direction of **crankshaft** rotation must remain **stock**.
 3. External **Crankshaft vibration dampeners** are unrestricted.
 4. Any **flywheel** of **stock** diameter or larger can be used, provided it attaches to the standard or permitted alternate **crankshaft** at the **stock** location. **Additional fasteners** can be used. The diameter of the **flywheel** includes the diameter of the **starter ring**. Cars that are permitted a specific alternate **transmission** on the **specification** line can use a **flywheel** of **stock diameter** or larger for that alternate **transmission**.
 5. **Clutch** assemblies, clutch linkage and release bearings are unrestricted. Carbon **clutch components** are prohibited.
- j. **Oiling System**
1. Any mechanically driven **oil pump** can be used. Chassis **components** can be modified to allow installation of the **oil pump**. **Dry sump systems** are permitted. The **dry sump** tank must be mounted within the **bodywork**.
 2. The **Oil pan/sump**, **scraper(s)**, **baffle(s)**, **windage tray(s)**, oil pickup(s), pressure accumulator(s) and **oil filter(s)** are unrestricted. The filter(s) and pressure accumulator(s) must be securely mounted within the **bodywork**. **Oil lines** are unrestricted. **Oil Lines** can pass through the driver/passenger compartment.
 3. **Breather vents** are unrestricted.

9.1.5. Production Category Specifications

4. No part of the oiling **system** can be connected to the **exhaust system**.
- k. **Electrical System**
 1. The use of any driver operated electric **starter** is permitted. The **starter** must be installed in the same general location as the **stock starter**. The **starter** must be mounted on the same side of the **flywheel** and **engine** as **stock**.
 2. **Ignition systems** are unrestricted. **Magneto ignition systems** are prohibited. If the distributor is **removed** a blanking plate can be fitted in its place. **Components** that allow the incremental adjustment of ignition timing by the driver during competition are prohibited.
 3. The **generator** or **alternator** is unrestricted. If a **generator** or **altenator** is used it must be mounted in the same general location as **stock**.
 4. **Batteries** are unrestricted.
 5. The number of spark plugs must remain stock.
 6. All other **components** of the electrical **system** are unrestricted.
- l. **Exhaust System**
 1. The exhaust **header** and **exhaust system** is unrestricted. **Floor pans** can be altered only to recess **mufflers**. No **modifications** can be made to the **bodywork** to fit any other part of the **exhaust system**.
- m. **Other Engine Components**
 1. The use of alternate **engine components** which are normally expendable and considered replacement parts, such as **fasteners, gaskets, seals, bearings**, water pumps, etc., is permitted. Electrically driven water pumps are prohibited.
 2. **Bushings** can be installed where none are fitted as **stock**, provided they are **concentric**, and that the **centerline** of the bushed part is not changed.
 3. The **addition** of alignment aides, such as dowels, bolts or keys can be added to **engine components**.
 4. Other than the limitations in 9.1.5.E.1.f.2, **engine drive pulleys** are unrestricted.
 5. **Engine steady bars** are unrestricted.
 6. **Engine mounts** of alternate design and/or material can be used, but there can be no change to the **engine's** fore, aft or vertical location except as permitted in 9.1.5.E.1.o.6. **Engine mounts** must attach to the **engine** in their **stock** location.
 7. Any engine balance shafts and associated gears or pulleys may be removed and the resulting openings plugged (including those in oil passages). Alternate pulleys or gears, of the same number as stock, may be installed in the location of the balance shaft pulleys or gears if required for timing belt or chain operation; they must serve no other purpose.
- n. **Transmission**
 1. The **Transmission** is unrestricted, providing that it is fit in the same basic location as **stock**. Sequential shifting **transmissions** are prohibited. Pneumatic, hydraulic or electric actuation of the **gear** shift mechanism is prohibited.
 2. All **transmissions** must have a reverse **gear** that is operable by the driver from his normal seated position and capable of sustained movement of the car, under its own power, in the reverse direction. A driver operated device for locking out the reverse **gear** can be added, provided it does not prevent prompt engagement of reverse in an emergency situation.
 3. Shift **linkage** is unrestricted. The shift **linkage** opening in the transmission tunnel or tunnel cover can be modified to allow the installation of the alternate shift **linkage**.
 4. For rear wheel drive cars, the transmission tunnel and tunnel cover can be altered to allow the installation of an alternate **transmission** and/or **driveshaft**. For front wheel drive cars, the **body, unibody, frame, suspension** crossmembers/subframes and their components may be altered to the extent required to allow the installation of an alternate **transmission, transaxle** and/or axle shaft.
 5. The number of transmission speeds listed in a car's specification line is the number of forward gears operable by the driver from his normal seated position (e.g. a 6 speed transmission with 1 forward gear removed/disabled is considered a 5 speed transmission).
- o. **Final Drive**
 1. **Driveshaft(s)** are unrestricted.
 2. **Final drive ratio** is unrestricted.
 3. Internal **differential components** are unrestricted. Electric control of the **differential** is prohib-

ited.

4. **Substitution** of the **differential housing** is only permitted on front **engine**/front drive or rear **engine**/rear drive cars through the use of an alternate **transaxle**.
5. **Axle shafts, bearings, bearing carriers, hubs, and universal joints**/CV joints are unrestricted.
6. **Transverse engine** cars can rotate the **engine** about the **crankshaft centerline** to align **axle shafts/constant velocity joints**. On rear **engine**/rear drive cars the **engine/drivetrain** can be relocated vertically upward, to a maximum of one inch, to allow alignment of **suspension** and driveline **components**.

2. *Drivetrain* Level 2

a. *Drivetrain* Component Modification

1. **Stock** and permitted alternate **components** of the *drivetrain* can be modified by any mechanical or chemical means. **Modification** of a *drivetrain* **component** does not permit relocation of that **component**.
2. No material or mechanical **extension** can be added to any **stock** or alternate **component** unless specifically authorized by these rules. **Repairs** to a **stock** or alternate **component** are permitted provided the **repair** serves no prohibited function.
3. **Stock** and permitted alternate **components** of the *drivetrain* can have thermal barrier and friction altering coatings applied.

b. **Induction System**

1. All inducted air must pass through the **venturi(s)** of the cars **carburetor(s)**, except that which passes through a stock/original idle control device. Carburetor jets, jet needles, metering rods and needle valves are unrestricted. Choke mechanisms, plates, rods, and actuating cables, wires, or hoses can be removed. The number and type of carburetors must not be changed from stock, unless otherwise specified by the vehicles spec line. In all other regards, standard and approved optional carburetor(s) must not be modified.

All single carbureted cars may fit a permitted optional **carburetor**. Where the use of one (1) 40 DCN, DCNF, IDF carburetor is specified, a permitted optional carburetor may be substituted. Permitted optional **carburetors** are:

1. Weber 32 DGV/DGAV/DGEV
2. Weber 32/36 DGV/DGAV/DGEV
3. Weber 32/36 DFV/DFAV/DFEV
4. Weber 34 DAT/DATR/DATRA/DMTR
5. Holley-Weber 5200

Where Weber carburetors are specified, Weber type carburetors can be substituted. Permitted Weber type carburetors are:

1. Solex
2. SSK
3. Mikuni
4. Delorto
5. Berg
6. PMO
7. EMPI
8. FAJS

Where auto-type carburetor(s) are specified, permitted carburetors are:

1. Weber
2. Solex
3. SK
4. Mikuni
5. Delorto
6. Berg
7. PMO
8. EMPI
9. FAJS
10. Zenith
11. Stromberg
12. SU
13. Rochester
14. Holley

Note: The orientation of the auto type carburetor(s) (downdraft or sidedraft) must remain as

9.1.5. Production Category Specifications

in the stock induction system, or as specified on the vehicles spec line.

2. **Stock** or permitted alternate sidedraft **carburetor(s)** can use an adaptor plate and/or a spacer in **addition** to any **stock** spacer, between the **carburetor(s)** and the **intake manifold**. Material for the adaptor plate and spacer is unrestricted. No adaptor plate or spacer can serve any purpose other than to space out and/or mate the **carburetor(s)** to the permitted **intake manifold**. The adapter or spacer cannot create a plenum or change the **carburetor(s) orientation**. The maximum thickness for the adapter, spacer, **stock** spacer or combination of all is 1.25". For the purpose of these rules an Isolator is a spacer.
 3. **Stock** or permitted alternate downdraft **carburetor(s)** can use an adaptor plate and/or a spacer in **addition** to any **stock** spacer, between the **carburetor(s)** and the **intake manifold**. Material for the adaptor plate and spacer is unrestricted. No adaptor plate or spacer can serve any purpose other than to space out, or mate the **carburetor(s)** to the permitted **intake manifold**. The adapter or spacer cannot change the **carburetor(s) orientation**. Adaptors and spacers can have a **bore** larger than the throttle **bore** of the **stock** or permitted alternate **carburetor(s)**. The maximum thickness for the adapter, spacer, **stock** spacer or combination of all is 1.25". For the purpose of these rules an Isolator is a spacer.
 4. Fuel Injection: All inducted air must pass through the throttle body and be subject to control by the throttle butterfly, except that which passes through a stock/original idle control device. The stock throttle body casting/housing must be retained. The inside dimensions of the throttle body casting/housing and all dimensions of the throttle butterfly must remain stock. The throttle butterfly shaft must not be relocated. The outside diameter of the portion of the throttle butterfly shaft located in the throttle body bore must be no smaller than stock. The contour of the interface between the throttle butterfly shaft and the butterfly must remain stock. The throttle butterfly and any throttle butterfly to shaft screws/bolts can be attached to the throttle butterfly shaft by any means including welding or brazing. Holes or slots can be created in the throttle butterfly for purposes of idle adjustment only. The number of injectors must remain stock. The mounting position and injection point must be stock. Electronic fuel injection may be substituted for the stock type of fuel injection. In all other respects the fuel injection system is unrestricted.
 5. All carburetors must retain the **stock** method of fuel distribution. Utilization or **modification** of a carburetor's **components** to effect an annular discharge configuration is prohibited.
 6. **Air cleaners, velocity stacks, air supply ducts and cold air boxes** are unrestricted.
 7. The **intake manifold** may be port matched on the port mating surface to a depth of no more than one inch. **Balance pipes** or tubes on all **intake manifolds** can be plugged or restricted. In all other respects the intake manifold must be stock. Non-stock plating, painting, covering or coating of the intake manifold is prohibited.
 8. The **accelerator pedal and linkage** to the **throttle butterfly** is unrestricted. Electric throttle control is prohibited unless fitted as **stock**. Two spring loaded **systems** of positive throttle closure are strongly recommended.
 9. Stock/original idle control devices can be utilized in their original, unmodified location and condition, or completely removed and any resulting openings blocked off. A mechanical stock/original idle control device can be replaced with an electronic stock/original type of idle control device, with the original mechanical idle ports in the throttle body blocked off.
- c. **Fuel pumps**, lines, filters, and pressure regulators are unrestricted, provided no **component** serves any fuel cooling purpose. **Fuel lines** can pass through the driver/passenger compartment. If a mechanical pump is **removed**, a blanking plate can be used to cover the **stock** opening.
- d. Emission system **components**, control devices, associated lines, nozzles and wiring must be **removed** and any resultant holes plugged. The plugs must serve no other purpose.
- e. Cylinder Head
1. The cylinder head may be modified to allow installation of permitted alternate components, provided the modification serves no other purpose.
 2. Valve seats and valve seat angles are unrestricted. The valve seat may be no taller than one half inch.
 3. The cylinder head deck surface may be machined to achieve the specified compression ratio and to allow the installation of o-rings to replace or supplement the cylinder head gasket.
 4. Holes resulting from the removal of EGR valves, air nozzles and fuel injectors (if the stock fuel injection system is removed and carburetors substituted) may be plugged, provided the plugs serve no other purpose.
 5. Cylinder head ports may be matched to the intake **and exhaust** manifolds to a depth of no more than 1 inch from the port mating surface.

- f. **Camshaft and Valve Gear**
1. **Camshafts** are unrestricted. Any lifters, **tappets**/cam followers of the same type and diameter as **stock** are permitted. The interchange of hydraulic and solid lifters is permitted.
 2. Camshaft timing chains, **gears**, belts, and **sprockets** are unrestricted provided that they are of the same type, and outside diameter as fitted **stock**. Single row or double row timing chains can be used. **Adjustable timing gears** are permitted.
 3. A timing chain/belt tensioner can be added to an **engine** where a tensioner is not fitted as **stock**, provided that it acts upon the portion of the chain/belt that travels from the final cam **sprocket/gear** to the **crankshaft**. The **timing belt** cover can be **removed**.
 4. Any ferrous (including stainless steel) metal valves meeting the specified head diameter and having the stock diameter for the portion of the stem that travels inside the valve guide can be used. The diameter of the portion of the valve stem that does not travel inside the valve guide can be no more than 17% smaller than the stock stem diameter. Any ferrous valve springs of the same type as stock, can be used. Valve retainers, Spring retainers, Lash Pads, valve keepers, seals and adjustment shims are unrestricted.
 5. Pushrods are unrestricted. Rocker shafts and/or shaft pedestals, when utilized in the stock system, can be replaced by alternate shafts and/or pedestals and are unrestricted. Valve rocker arms and/or rocker type cam followers are unrestricted, but the rocker ratios and/or follower ratios must be stock.
 6. **Valve guide** material is unrestricted, but must have **stock** external dimensions.
 7. Where maximum valve lift is specified, valve lift is measured at the **valve** with zero lash or clearance.
- g. **Block and Cylinders**
1. The **block** can be rebored no more than 1.2mm (.0472 in) larger than the maximum dimension given on the **specification** line for that make, model, and **displacement**. A cylinder **block** from any model from the same manufacturer, which is of the same material and dimensionally identical throughout, except for non-critical **bosses**, is permitted. **Oil passages** can be re-routed, enlarged, restricted or plugged.
 2. Cylinders or **cylinder sleeves** of any material can be fitted to the **block**.
 3. **Crankshaft main bearing caps** and **main bearing cap** bolts are unrestricted. **Crankshaft main bearing cap** girdles are unrestricted. **Crankshaft main bearing caps** can be more than one piece.
 4. The **block** can be machined to utilize **o-rings** to replace or supplement a cylinder head **gasket**.
 5. **Crankshaft oil seal(s)** are unrestricted.
- h. **Pistons and Connecting Rods**
1. **Pistons**, pins, clips and/or pin retainers and **piston rings** are unrestricted. **Pistons** must be constructed of **metal**.
 2. Alternate ferrous connecting rods, of the same crank pin center to piston pin center dimension and crank pin bore dimension as stock, are permitted.
 3. **Connecting rod** bolts and nuts are unrestricted.
- i. **Crankshaft and Flywheel**
1. **Stock crankshafts** are required. The **Crankshaft** can be lightened and **balanced**. Journal diameters can be a maximum undersize of 0.045 from **stock** diameter.
 2. The direction of the **crankshaft** rotation must remain **stock**.
 3. The use of any external **crankshaft vibration dampener** is permitted.
 4. Any **flywheel** of **stock** diameter or larger can be used, provided it attaches to the standard or permitted alternate **crankshaft** at the **stock** location. **Additional fasteners** can be used. The diameter of the **flywheel** includes the diameter of the **starter ring**. Cars that are permitted a specific alternate **transmission** on the **specification** line can use a **flywheel** of **stock** diameter or larger for that alternate **transmission**.
 5. **Clutch** assemblies, clutch linkage and release bearings are unrestricted. Carbon **clutch components** are prohibited.
- j. **Oiling System**
1. Any mechanically driven **oil pump** can be used. Chassis **components** can be modified to allow installation of the **oil pump**. **Dry sump systems** are prohibited.
 2. The **Oil pan/sump**, **scraper(s)**, **baffle(s)**, **windage tray(s)**, oil pickup(s), pressure accumulator(s) and **oil filter(s)** are unrestricted. The filter(s) and pressure accumulator(s) must be securely mounted within the **bodywork**. **Oil lines** are unrestricted. **Oil Lines** can pass through the driver/

9.1.5. Production Category Specifications

passenger compartment.

3. **Breather vents** are unrestricted.
 4. No part of the oiling **system** can be connected to the **exhaust system**.
- k. **Electrical System**
1. The use of any driver operated electric **starter** is permitted. The **starter** must be installed in the same general location as the **stock starter**. The **starter** must be mounted on the same side of the **flywheel** and **engine** as **stock**.
 2. **Ignition systems** are unrestricted. **Magneto ignition systems** are prohibited. If the distributor is **removed** a blanking plate can be fitted in its place. **Components** that allow the incremental adjustment of ignition timing by the driver during competition are prohibited.
 3. The **generator** or **alternator** is unrestricted. If a **generator** or **alternator** is used it must be mounted in the same general location as **stock**.
 4. **Batteries** are unrestricted.
 5. The number of spark plugs must remain stock.
 6. All other **components** of the electrical **system** are unrestricted.
- l. **Exhaust System**
1. The exhaust **header** and **exhaust system** is unrestricted. **Floor pans** can be altered only to recess **mufflers**. No **modifications** can be made to the **bodywork** to fit any other part of the **exhaust system**.
- m. **Other Engine Components**
1. The use of alternate **engine components** which are normally expendable and considered replacement parts, such as **fasteners, gaskets, seals, bearings**, water pumps, etc., is permitted. Electrically driven water pumps are prohibited.
 2. **Bushings** can be installed where none are fitted as **stock**, provided they are **concentric**, and that the **centerline** of the bushed part is not changed.
 3. The **addition** of alignment aides, such as dowels, bolts or keys can be added to **engine components**.
 4. Other than the limitations in 9.1.5.E.1.f.2, **engine drive pulleys** are unrestricted.
 5. **Engine steady bars** are unrestricted.
 6. **Engine mounts** of alternate design and/or material can be used, but there can be no change to the **engine's** fore, aft or vertical location except as permitted in 9.1.5.E.1.o.6. **Engine mounts** must attach to the **engine** in their **stock** location.
 7. Any engine balance shafts and associated gears or pulleys may be removed and the resulting openings plugged (including those in oil passages). Alternate pulleys or gears, of the same number as stock, may be installed in the location of the balance shaft pulleys or gears if required for timing belt or chain operation; they must serve no other purpose.
- n. **Transmission**
1. The **Transmission** is unrestricted, providing that it is fit in the same basic location as **stock**. Sequential shifting **transmissions** are prohibited. Pneumatic, hydraulic or electric actuation of the **gear** shift mechanism is prohibited.
 2. All **transmissions** must have a reverse **gear** that is operable by the driver from his normal seated position and capable of sustained movement of the car, under its own power, in the reverse direction. A driver operated device for locking out the reverse **gear** can be added, provided it does not prevent prompt engagement of reverse in an emergency situation.
 3. Shift **linkage** is unrestricted. The shift **linkage** opening in the transmission tunnel or tunnel cover can be modified to allow the installation of the alternate shift **linkage**.
 4. For rear wheel drive cars, the transmission tunnel and tunnel cover can be altered to allow the installation of an alternate **transmission** and/or **driveshaft**. For front wheel drive cars, the **body, unibody, frame, suspension** crossmembers/subframes and their components may be altered to the extent required to allow the installation of an alternate **transmission, transaxle** and/or axle shaft.
 5. There is no weight penalty for the use of a stock transmission utilizing the stock case, stock gear ratio set (as defined in acceptable factory documentation) and stock synchromesh style of gear engagement. An alternate **transmission** that uses **stock** type, circular, beveled **synchro-nizers**, imposes a 2.5% weight penalty. An alternate **transmission** that uses a **gear** engagement mechanism different than **stock** type, circular, beveled **synchronizers** imposes a 5% weight penalty.

- o. **Final Drive**
 - 1. **Drive shaft(s)** are unrestricted.
 - 2. **Final drive ratio** is unrestricted.
 - 3. Internal **differential components** are unrestricted. Electric control of the **differential** is prohibited.
 - 4. **Substitution** of the **differential housing** is only permitted on front **engine**/front drive or rear **engine**/rear drive cars through the use of an alternate **transaxle**.
 - 5. **Axle shafts, bearings, bearing carriers, hubs, and universal joints/CV joints** are unrestricted.
 - 6. **Transverse engine** cars can rotate the **engine** about the **crankshaft centerline** to align **axle shafts/constant velocity joints**. On rear **engine**/rear drive cars the **engine/drivetrain** can be relocated vertically upward, to a maximum of one inch, to allow alignment of **suspension** and driveline **components**.
- 3. **Drivetrain Rotary Engine Level 2**
 - a. **Modifications**
 - 1. The capacity of the **working chambers** must not be changed from **stock**.
 - 2. The **eccentric shaft** can be replaced with another made from a **ferrous** material, but no changes in the eccentricity of journal dimensions are permitted.
 - 3. **Rotary engine rotors** are unrestricted.
 - 4. Street Porting of the **engine** only. Bridge porting, peripheral porting, and eyelash porting are prohibited. Contact SCCA National Office for details of Street porting.
 - 5. **Modification** of the water jacket in the area of the **spark plug**, for cooling purposes is permitted.
- 4. **Suspension and Steering Level 1**
 - a. The **stock system** of **suspension**, e.g., live axle, swing axle, **McPherson strut**, A-arm, etc. must be retained.
 - b. **Ride height** is unrestricted.
 - c. Bolt on **suspension cross members/sub-frames** are unrestricted.
 - d. **Suspension pickup/pivot points** are unrestricted. **Suspension Components** including **anti-roll bars, camber compensating devices, panhard rods, watts linkage and suspension stabilizers** are unrestricted. These **components** can pass through any portion of the car with the exception of exterior **body work**. If these **components** extend into the driver/passenger/**trunk** compartments, they must be covered with **metal** panels.
 - e. Spindles, hubs, **bushings, bearings** and **ball joints** are unrestricted.
 - f. Springs and **Shock Absorbers**
 - 1. Any springs or **torsion bars** can be used, provided the quantity of these items remains as **stock**. The location and **attachment points** of springs and **torsion bars** are unrestricted. Spacers/ lowering blocks can be used between leaf springs and the **axle housing**. The use of **tender springs** is permitted, provided the **tender springs** are completely compressed when the car is at static **ride height**. Static **ride height** will be determined with the driver seated in the normal driving position.
 - 2. **Shock absorbers** and **McPherson struts/Chapman struts** are unrestricted. All cars can fit **coil-over** type springs with tubular, load bearing **shock absorbers** or struts. Such items must not exceed one spring and shock/strut per **wheel**.
 - A. **Attachment points** for the **shock absorbers** and **McPherson struts/Chapman struts** are unrestricted. Rear **attachment points** can be located in the driver/passenger/**trunk** compartment, but must be covered with **metal** panels.
 - B. When lever shocks are replaced with tubular shocks, the entire shock assembly can be replaced with a link and bracket that performs the control function.
 - C. **Bump stops** and bracketry are unrestricted.
 - D. No shock absorber, McPherson struts/Chapman struts can be capable of adjustment by the driver while the car is in motion, or can be electronically controlled.
 - 3. Rockers, **rocker arms**, push and/or pull rods are prohibited.
 - g. **Steering**
 - 1. The **stock steering system** must be retained e.g. **rack and pinion**, reciprocating ball, **worm and sector**. The **steering system** can be relocated.
 - 2. **Steering system components** are unrestricted.

9.1.5. Production Category Specifications

3. The **steering column** is unrestricted. A collapsible type **steering column** is strongly recommended. The driver's normal seated position must not be relocated.
4. Cars equipped with **power steering** as standard equipment can **modify, substitute, disable and/or remove** the power pump, related hoses and mounting brackets.

5. Suspension and Steering Level 2

- a. Ride height is unrestricted.
- b. **Suspension Components**
 1. **Suspension control arms** are unrestricted, provided the quantity of these items remains as **stock**.
 2. **Suspension bushings, bearings and ball joints** are unrestricted. Tapered holes can be drilled or reamed, to allow a bolt to be used in place of a ball joint.
 3. Any **anti-roll bar(s)** and rear axle **traction bar(s)**, rear axle **panhard rod** and **watts linkage** can be added or **substituted**, provided its/their installation serves no other purpose. The mounts for these devices can be welded or bolted to the car. These devices and their mounts can not be located in the **trunk** or driver/passenger compartment unless fitted as **stock**. Rear axle **traction bar(s)** used to control axle housing rotation must be solid bar or tube.
 4. When a cars **anti-roll bar** also acts as a **suspension** locating device, the bars **attachment points** and pivot points on the chassis and **suspension control arms** must remain in the **stock** location.
 5. **Bump stops** and bracketry are unrestricted.
 6. Wheel bearings and hubs are unrestricted.
- c. **Suspension Mounting Points**
 1. Cars equipped with a **McPherson strut/Chapman strut suspension** can adjust **camber** and **caster** at the upper strut mounting point. The upper strut mounting point must remain on **stock** chassis structure. Slotted adjusting plates at the upper mounting point are permitted. The slotted plates must be located on the **stock** chassis structure. Material can be **removed** or added to the top of the strut tower to facilitate installation of the slotted adjuster plate, provided it serves no other purpose.
 2. All forms of **suspension** can adjust **camber** and **caster** by the use of shims.
 3. Rear **independent suspension** mounting holes can be slotted within the limits of the **stock** structure for the sole purpose of **camber** and/or **toe** adjustment.
 4. **Suspension cross member/sub frame** mounting **bushing** material is unrestricted.
 5. **Suspension pickup/pivot axis points** can be reinforced but must remain in the **stock** location.
- d. **Springs and Shock Absorbers**
 1. Any springs or **torsion bars** can be used, provided the quantity and type of these items remains as **stock**. Springs and **torsion bars** must be installed in the **stock** location using the **stock system** of attachment. The use of **tender springs** is permitted, provided the **tender springs** are completely compressed when the car is at static **ride height**. Static **ride height** will be determined with the driver seated in the normal driving position.
 2. **Shock absorbers** are unrestricted, provided the quantity and type (i.e. tube, lever) of these items remains as fitted **stock**. The manner of attachment of the shock absorber is unrestricted and the upper attachment point may be raised along the axis of the stock shock. The mounting of the remote reservoir of a **remote reservoir shock absorber** is unrestricted. No shock absorber can be capable of adjustment by the driver while the car is in motion, or can be electronically controlled.
 3. **Macpherson/chapman struts** must be installed in the **stock** location using the **stock system** of attachment. **Remote reservoir strut** dampeners are permitted. The mounting of the **remote reservoir** of a **remote reservoir Macpherson/chapman strut** is unrestricted. No Macpherson/chapman strut can be capable of adjustment by the driver while the car is in motion, or can be electronically controlled.
 4. **Macpherson/chapman strut:**
 - A. **Macpherson/chapman strut** suspensions that are a two piece **spindle/bearing carrier** and bolt on damper design, can replace the bolt on damper portion of the **Macpherson/chapman strut** with any replacement damper.
 - B. **Macpherson/chapman strut** suspensions that are a one piece **spindle/bearing carrier** and strut tube design, can **modify** the **stock** strut tube in order to fit a replacement damper, coil spring and perch. The **spindle/bearing carrier** portion of the strut can be modified in order to fit an alternate strut tube and any replacement damper. One piece design **Macpherson/chapman strut** suspensions can gusset between the tube and **spindle/bearing**

carrier portion of the strut for the sole purpose of strengthening the strut tube.

- C. **Macpherson/chapman strut** suspensions that are a one piece **spindle/bearing carrier** and strut tube design that also incorporates an integral **steering arm** must retain the **stock steering arm** in its **stock** location.
- D. **Macpherson/chapman struts** that are a **bearing carrier**, cannot **modify** or replace the **bearing carrier** under the unrestricted **bearing carrier** rule in section 9.1.5.E.2.o.5.
- 5. All types of suspensions can **modify** the brake caliper mounting portion of the **spindle/bearing carrier**, if necessary to fit an approved alternate brake **caliper**.
- 6. Shackles or spacers/lowering blocks can be used with leaf springs to adjust **ride height**.
- 7. Spacers and threaded sleeves with adjustable spring seats can be used with coil springs. **Coil-over** threaded body shocks/struts are permitted if coil-over shocks/struts were fitted as **stock**.
- 8. **Bump stops** are unrestricted.
- e. **Steering**
 - 1. **Steering system components** can be reinforced by the **addition** of material and/or the **addition** of support to the **stock component**.
 - 2. **Bushings** locating or retaining any **steering system components** can be replaced by **bushings** of any material. The alternate **bushing** can not relocate the **component** it retains.
 - 3. The outer **tie rod** end can be replaced by a **rod end**. The **rod end** can be coupled to the **steering system** by a rod or threaded tube of unrestricted origin and material. The tapered hole in the **steering arm** on the outboard side of the **tie rod (rod end)** can be drilled or reamed to allow a bolt to be used to retain the **rod end** to the **steering arm**. The **rod end** can be moved up or down by the installation of spacers for the sole purpose of reducing **bump steer**.
 - 4. The **steering column** is unrestricted. A collapsible type **steering column** is strongly recommended. The driver's normal seated position must not be relocated.
 - 5. Cars equipped with **power steering** as standard equipment can **modify, substitute, disable** and/or **remove** the power pump, related hoses and mounting brackets.

6. Cooling System Level 1 and 2

- a. Water **radiators** are unrestricted. The **radiator** must be installed in approximately the same the location as **stock**. There can be no **modifications** to the body, chassis, or internal structure of the car to accommodate the **radiator**, other than mounting brackets and attachment **fasteners**. A separate **cooling system expansion tank** can be mounted in the **engine compartment**. Coolant lines can run through the driver/passenger compartment.
- b. Coolant lines are unrestricted. Openings resulting from the **removal** of a coolant line can be plugged, the plugs must serve no other purpose. Internal cooling passages can be restricted or plugged, the plugs must serve no other purpose.
- c. **Radiator Fans** are unrestricted. Electrically operated **fans** must be mounted within four (4) inches of the **radiator**.
- d. **Radiator Shroud**
 - 1. **Radiator** shrouds are unrestricted.
 - 2. Sealing the area between the **radiator**, its shroud, any **fan(s)**, and the **stock grille** opening is permitted. No alternate **radiator** shroud can extend behind the **radiator** further than the rear edge of the rearmost mounted **fan**. If no cooling **fan** is fitted, the alternate shroud must end at the rear most edge of the **radiator**.
- e. Air cooled **engine** shrouding and **fans** are unrestricted.
- f. **Thermostat** and **Thermostat** housings are unrestricted. **Thermostats** can be replaced with a **blanking sleeve** or restrictor.
- g. **Oil/Lubricant Coolers**
 - 1. **Engine, transmission, and differential** coolers are unrestricted. Coolers must be mounted completely within or under the **bodywork**, but can not be mounted in the driver/passenger compartment.
 - 2. **Transmission** and **differential** cooler pumps are unrestricted.
 - 3. Air **ducts** can be fitted to the cooler(s). No **Ducting** can extend forward of the most forward part of the front of the **body** or front **air dam**.
- h. **Radiator Screens**
 - 1. Screens, block-off plates or tape that serve only to protect or restrict air flow to the radiator(s)

9.1.5. Production Category Specifications

and/or oil cooler(s) are unrestricted, but must be located a minimum of 2" behind the radiator/cooler opening or behind the stock grill.

7. Brakes Level 1 and 2

- a. Stock brake calipers and stock-size brake rotors may be used without penalty, as defined in the "Brakes Std." and "Brakes Alt." columns of a vehicle's spec line.
- b. Any other non-stock brake calipers and/or non-stock-size brake rotors may be used with a penalty of 2% of the base weight.
 1. Non-stock brake calipers must have a max of 4-pistons and the caliper body must be made of ferrous or aluminum material. Calipers must be mounted in the same location and orientation as the stock positioning. Mounting brackets are unrestricted, but must be made of ferrous or aluminum material. Stock caliper mounting tabs may be modified or removed to facilitate caliper installation. In all other regards, non-stock brake calipers are unrestricted.
 2. Non-stock-size brake rotors are unrestricted, provided they fit inside the max wheel limitations on a vehicle's spec line.
- c. All brake rotors must be made of ferrous material, and can be cross-drilled and/or slotted. A two-piece hat and rotor design may be utilized, but the hat must be made of ferrous or aluminum material.
- d. Alternate drums can be used, but must be made of ferrous or aluminum material, and be the stock diameter, width, and design.
- e. Cars fitted with rear drum brakes, can convert to rear disc brakes without penalty. Note that the "Brakes Std." and "Brakes Alt." listings on a vehicle's spec line do not prohibit a car that was fitted with rear drum brakes stock, from converting to rear disc brakes under this rule. When converting from rear drum brakes to rear **disc brakes**:
 1. Rear **brake rotors** must be solid and can be no larger in diameter than the largest permitted front **brake rotor**, as defined on the vehicle's spec line.
 2. Rear **calipers** and mounting brackets are unrestricted but must be made of a **ferrous** or aluminum material. The standard and alternate brake listings on a vehicle's specification line, does not prohibit a car that was fitted with rear drum brakes as **stock** from converting to rear disc brakes under this rule.
- f. Dual **braking systems** are required. Any dual brake **master cylinder(s)** and pedal assembly can be fitted. **Pressure equalizing** and **proportioning valve** devices are unrestricted.
- g. **Servo assists** are unrestricted.
- h. Drum brake **wheel cylinders** are unrestricted.
- i. **Brake pads** and **brake linings** are unrestricted.
- j. Brake lines are unrestricted.
- k. The **hand brake** and its operating mechanism can be **removed**.
- l. Brake air ducts can be fitted. Front duct inlet(s) cannot extend to the side beyond the center-lines of the front wheels, or beyond the forward most part of the front bodywork/air-dam. Rear duct inlet(s) must face forward, cannot extend to the side beyond the center-lines of the rear wheels, or be located more than 24" forward of the rear axle center-line.
- m. **Backing plates** and **dust shields** are unrestricted.

8. Wheels and Tires Level 1 and 2

- a. **Wheels**, **wheel spacers** and **wheel fans** are unrestricted
- b. Spare tires and **wheels** must be **removed**.
- c. Cars using 13" wheels may run 8 inch wide (max) wheels, but only with Race Tires America American Racer 20.0-8.0-13, bias ply, non-belted tire. Cars using 15" wheels may run 10 inch wide (max) wheels, but only with Race Tires America American Racer 23.5-10.0-15, bias ply, non-belted tire.

9. Body/Structure Level 1 and 2

- a. **Modifications**
 1. The body, **unibody**, **frame** and their **components** can be lightened, provided that structural rigidity is not compromised to the point of requiring **additional** support. No non-**stock** openings can be created in the bodywork. The lightening of the cars structure can not create any openings into the **cockpit**, or from the **wheel well** to the **engine/trunk** compartments. Existing seams

in the **unibody** and **frame** can be **welded**.

2. The **hood**, **hatchback**, deck lid and **fenders** can be replaced by **components** of an alternate material, provided their appearance remains **stock**. Factory bolt-on **fenders** can be replaced in their entirety. Cars with non-removable **fenders** can replace the front **fender** panels going forward from the foremost door opening and the rear **fender** panels going rearward from the rearmost door opening. Replacement components of an alternate material may not extend into the roof structure of a closed car above a horizontal line placed at the lowest point of the driver's door window opening.
3. The exterior contour of all wheel openings may be **flared**. The **fender**/wheel opening or any other part of the **body** forming the wheel opening, when viewed from the top perpendicular to the ground, must cover the portion of the tire that contacts the ground while the car is at rest. The **flaring** of the exterior contour of any wheel openings may not alter the basic body configuration or change the wheel opening size, location or shape when viewed from the side.
4. One piece front **body** sections are permitted only on cars manufactured in that **stock** configuration. One piece front **body** sections must retain inner **wheel wells** if fitted as **stock**. The inner **wheel wells** can be constructed of an alternate material.
5. **Wheel wells** can be altered, using the **stock** type of material, in order to provide clearance for tires and **wheels**. **Wheel well** alterations must not result in the creation of any **additional** openings between the **wheel well** and the **engine**, passenger and **trunk** compartments. Existing openings between the **wheel well** and these compartments can be covered but can not be enlarged. Non **metal wheel wells** can be **removed**. If the **removal** of the non **metal wheel well** creates an opening to the **engine**, passenger or **trunk** compartments the created openings must be covered.
6. Misalignment or **modification** of the **bodywork** to create **ventilation** where none existed **stock**, is prohibited. All **bodywork** must be completely closed and securely fastened while the car is in competition. The **hood** and deck lid hinges can be **removed**. The **hood** and deck lid must be securely fastened; the manner in which they are secured is unrestricted. Stock door hinges must be retained and mounted in their stock location. Door hinges must be functional but can be lightened. Doors must be securely fastened closed, provided they can be opened or **removed** quickly in an emergency situation. Door handles can be **removed** and any resultant holes must be covered. The cover must not change the **stock** exterior contour of the door. The stock side impact beams may be removed.
7. Bumpers that are integrated into the front or rear bodywork, can be replaced by replica components of an alternate material. The energy absorbing bumper components behind the front or rear bumper cover can be removed or modified. Bumpers which are not an integral part of the body can be removed or replaced by components of an alternate material, provided their appearance remains as stock. If a bumper is removed, all mounting bracketry which projects outside the body must also be removed. Bumper bracket holes in the body created by removal of a bumper can be covered provided the covering serves no other purpose.
8. Glass - Windshield and Door
 - A. Open cars may remove the windshield glass, door window glass, quarter window glass, rear glass, vent glass, as well as its frames/channels and all mounting brackets. Window winding mechanisms can be removed. If removed, a replacement windshield must be installed. The replacement windshield must be fitted within the vertical planes of the front most and rear most elements of the stock windshield and frame. The replacement windshield must not exceed the height or width of the stock windshield and frame. Any portion of the windshield that is in the driver's line of sight, must be constructed of a clear material. No part of the replacement windshield can be constructed of glass. If the stock windshield frames/channels are retained, a high front roll cage hoop must be utilized, and the stock windshield can be retained or replaced. If replaced, the replacement windshield must be of a polycarbonate material with a minimum thickness of 6mm, be identical in size and curvature to the stock glass windshield, and have a minimum of three vertical inner supports to prevent the windshield from collapsing inward. Inner windshield supports must be a minimum of 0.75" by .125" straps of aluminum. The inner supports must be mounted a minimum of eight inches apart. The rear window can be removed, as well as its frames/channels and mounting brackets.
 - B. Closed cars can retain or replace the stock glass windshield. The replacement windshield must be constructed of a polycarbonate material with a minimum thickness of 6mm, and must be identical in size and curvature to the stock glass windshield. Replacement windshields must have a minimum of three inner supports to prevent the windshield from collapsing inward. Inner windshield supports must be a minimum of 0.75" by .125" straps of aluminum. The inner supports must be mounted a minimum of eight inches apart.
 - C. All cars can remove all door window, quarter window and vent window glass. Window winding mechanisms can be removed. Door window, vent window and quarter window

9.1.5. Production Category Specifications

- frames/channels can be removed. Door window slots can be covered. Rear, door, vent, and quarter window glass can be replaced with a clear polycarbonate material having a minimum thickness of 3mm. The windows in the rear door of a 4 door car and quarter windows can be run in their stock open or closed position. Ducts can be installed in the door, vent and quarter windows or resultant door window openings, for the sole purpose of supplying cooling air to the driver. The duct(s) and the mount for the same in any door window opening cannot exceed 8" in height and 12" in length.
- D. **Targa type top** cars can be prepared to either closed car or open car **windshield and window specifications**.
 - E. All glass sunroof and T-top panels must be **removed**. The resulting opening(s) must be covered with panels of **stock** contour and of the same material as the **stock** surrounding roof structure. **Stock metal** sunroof and T-top panels may be either securely retained in the closed position or replaced with panels of **stock** contour and of the same material as the **stock** surrounding roof structure.
9. A front spoiler/air-dam can be fitted to the front of the car.
- A. The spoiler/air-dam shall not protrude beyond the overall outline of the body when viewed from above, perpendicular to the ground, or aft of the forward most part of the front fender wheel opening.
 - B. The spoiler/air-dam can be mounted to the body, chassis and/or frame and may extend no higher than four (4) inches above the horizontal centerline of the front wheel hubs. An intermediate mounting device may be used in locations where the front body-work is above the four inch maximum.
 - C. The spoiler/air-dam shall have no support or reinforcement extending aft of the forward most part of the front fender wheel opening.
 - D. If the spoiler/air-dam covers any portion of the stock grille, an opening must be created in the spoiler/air-dam. The width of the opening must be equal to or greater than the widest horizontal measurement of the portion of the grille that would otherwise be covered. The height of the opening must be equal to or greater than the distance measured perpendicularly to the ground between the lowest and highest point of the portion of the grille that would otherwise be covered. The opening in the spoiler/air-dam must be symmetrically aligned in both planes of the grille.
 - E. Openings in the spoiler/air-dam are permitted for the purpose of ducting air to the brakes, radiator and/or oil coolers. Openings can be cut in the front valance to allow the passage of up to a three (3) inch diameter round duct hose leading to each front brake. These openings can serve no other purpose.
10. An undertray may be added. The undertray may close out the area from the leading edge of the bodywork (including the spoiler/air-dam) back to the forward most part of the front fender wheel opening.
11. Glass headlight, front parking, side marker and signal light components must be removed. Plastic headlight, front parking, side marker and signal light components can be removed. The headlight bezels/rims must remain in their stock locations. If the stock headlight, front parking, side marker or signal light lenses/covers are removed the resulting openings must be covered with wire mesh screen or solid panels of the same or a flatter contour than the stock lenses/covers.
- A. Retractable or "pop up" headlight assemblies can be run in their open, partially opened, closed position or **removed** in their entirety. The openings created by the **removal** of the assembly must be covered with screens or panels. These covers must be the same or flatter contour as the **stock** assembly in its closed position, but need not retain any **bezels/ rims**.
 - B. The openings created by the **removal** of front lighting **components/assemblies**, can be used to **duct** air to the **engine, radiator, oil cooler(s), and front brakes**. Holes for the **ducting** no larger than 7.25" in diameter can be cut in interior panels provided the holes are completely filled by the **ducts**.
 - C. **Taillights** must be the **stock** type and mounted in the **stock** location.
12. Open cars must remove convertible soft tops and all attaching bracketry and hardware. If the stock windshield is retained, OEM and aftermarket hardtops are allowed. Aftermarket hardtops must retain OEM appearance in all exterior profiles. Any hardtop must be attached by positive fasteners.
13. **Windshield wiper system** can be modified, **substituted** or **removed**. Holes created in the **body** by the **removal** of these **components** can be covered.

14. Any interior or exterior trim pieces may be removed and the resulting openings may be covered with a solid panel.
15. Radio antennas can be **removed**. Holes created in the **body** by the **removal** of the antenna can be covered.
16. Heater plenums that do not serve as a major part of the structure of the **firewall** can be **removed** or modified. Any resulting holes must be covered with **metal** panels.
17. Non-**metal floor pans** can be replaced with **metal floor pans** of a minimum .060" thickness. The **metal floor pan** must have the same overall dimensions and be mounted in the same location as the **stock component**.
18. Stock or aftermarket rear spoiler or wing not permitted, unless factory installed for the listed base model or permitted on the car's spec line.

10. Driver/Passenger/Trunk Compartment Level 1 and 2

- a. The driver's seat must be replaced with a one-piece racing seat. The driver's seat must be installed so that a second seat of the same dimensions could be simultaneously fitted to the passenger's side of the car (no center seating). All cars registered after July 1, 1985 must have the driver seated on the left when the car is viewed from the rear.
- b. The **instrument panel/dashboard** and all contents are unrestricted. **Gauges/Instruments** are unrestricted.
- c. **Modifications** can be made to the Driver/Passenger/**Trunk** compartment to permit the installation of required safety equipment and to improve driver comfort and driver control of the car. Covers for all equipment located in the driver/passenger compartment forward of the rear most portion of the door opening can not extend higher than six inches below the highest point of the door. The installation of a **dry sump** tank and cover that extends above six inches below the highest point of the door is permitted but the tank and cover must be located completely within 18" of the front or rear cowl and no higher than the cowl.
- d. All interior **trim**, floor covering, upholstery panels and **stock** seats can be **removed**.
- e. The driver's side floor-pan may be modified for the purpose of lowering the driver's seating position. All modifications must be contained within the floor-pan area, limited to between the transmission/exhaust tunnel, the driver's side rocker, and a maximum fore-aft length of 30". The modification shall not extend below the lowest portion of the factory floor/frame rail/welded seam. The steel used in the modification shall be no thinner than .058", and be entirely welded in place. This modification shall serve no other purpose other than seating position.

11. General preparation Level 1 and 2

- a. **Fastener** items can be replaced by similar items performing the same fastening function(s).
- b. Any paint scheme or markings meeting GCR **specifications** are permitted.
- c. Two way radios are permitted. A hole can be created in the body to mount a radio antenna.
- d. Fluids and Lubricants are unrestricted.

NOTES:

EP	Prep. Level	Weight (lbs)	Engine Type	Bore x Stroke mm/(in.)	Displ. cc/ (ci) (nominal)	Block Mat'l	Head/PN & Mat'l	Valves IN & EX mm/ (in.)	Carburetor. No. & Type	Wheel-base mm/(in.)	Track (F/R) mm/(in.)
Acura Integra (86-89)	2	2040 * 2091 ** 2142	4 Cyl DOHC	75.0 x 90.0 (2.95x3.54)	1590 (97.0)	Alum	Alum	(I) 30.0/(1.18) (E) 27.0/(1.06)	(2) Auto-type sidedraft w/ 32mm choke(s) on I.R. manifold, or fuel injection.	2451/ (96.5)	1489/1504 (58.6/59.2)
Acura Integra GSR (94-00)	2	2090 * 2142 ** 2195	4 Cyl DOHC	81.1 x 87.2 (3.19x3.43)	1800 (109.8)	Alum	Alum	(I) 33.0/(1.30) (E) 28.0/(1.10)	Fuel injection	2570/ (101.2)	1582/1577 (62.3/62.1)
Acura Integra Type-R (97-00)	2	2190 * 2245 ** 2300	4 Cyl DOHC	81.0 x 87.2 (3.19x3.43)	1797	Alum	Alum	(I) 33.0/(1.30) (E) 28.0/(1.10)	Fuel injection	2570/ (101.2)	1582/1577 (62.3/62.1)
Acura RSX Type S (02-06)	2	2250 * 2306 ** 2363	4 Cyl. DOHC	86.0 x 86.0 (3.39x3.39)	1998	Alum	Alum	(I) 35.2/(1.38) (E) 30.2/(1.19)	Fuel injection	2570/ (101.2)	1481/1481 (58.3/58.3)
Acura TSX (04-08)	2	2450 * 2511 ** 2573	4 Cyl. DOHC	87.0 x 99.0 (3.43x3.90)	2354	Alum	Alum	(I) 36.0/(1.42) (E) 30.0/(1.18)	Fuel injection	2670/ (105.1)	1623/1623 (63.9 / 63.9)
Alfa Romeo Alfetta GT (75-79)	1	1950	4 Cyl DOHC	84.0 x 88.5 (3.31x3.48)	1961 (119.6)	Alum	Alum	(I) 44.2/(1.74) (E)40.2/(1.58)	(2) Auto-type sidedraft w/ 44mm choke(s) on I.R. manifold, or fuel injection.	2413/ (95.0)	1445/1440 (56.9/56.7)
Alfa Romeo GTV 2000	1	1950	4 Cyl DOHC	84.0 x 88.5 (3.31x3.48)	1961 (119.6)	Alum	Alum	(I) 44.2/(1.74) (E)40.2/(1.58)	(2) 40, 45, 48 DCOE, 40 DHLA, 48 DHLA. 44mm choke(s) req'd, or fuel injection.	2350/ (92.5)	1415/1377 (55.7/54.2)
Alfa Romeo GTV-6 (81-86)	2	2300 * 2358 ** 2415	V-6 SOHC	88.0 x 68.3 (3.46x2.69)	2492 (152.0)	Alum	Alum	(I) 41.0/(1.61) (E) 36.5/(1.44)	Fuel injection	2400/ (94.5)	1466/1443 (57.7/56.8)
Alfa Romeo all Spider models (-1994)	1	1950	4 Cyl DOHC	84.0 x 88.5 (3.31x3.48)	1961 (119.6)	Alum	Alum	(I) 44.2/(1.74) (E)40.2/(1.58)	(2) 40, 45, 48 DCOE, 40 DHLA, 48 DHLA. 44mm choke(s) req'd, or fuel injection.	2250/ (88.6)	1430/1377 (56.3/54.2)
Alfa Romeo Milano (87-89)	2	2600 * 2665 ** 2730	6 Cyl. SOHC	93.0 x 72.6 (3.66x2.86)	2959	Alum	Alum	(I) 44.0/(1.73) (E) 38.7/(1.52)	Fuel injection Throttle Bore 75mm	2510/ (98.8)	1483/1473 (58.4/58.0)
Alfa Romeo Spider Duetto & 1750 Spider (-1971)	1	1870	4 Cyl DOHC	78.0 x 82.0 (3.07x3.23) 80.0 x 88.4 (3.15x3.48)	1570 (96.0) 1779 (108.5)	Alum	Alum	(I) 41.1/(1.62) (E) 37.1/(1.46)	(2) Weber 40 DCOE 27, (2) Weber 40 DCOE 32, (2) Weber 45 DCOE w/ 42mm choke(s), (2) Zenith 75 CDSE, or (3) 2" SU.	2250/ (88.6)	1415/1359 (55.7/53.5)
Audi Coupe GT (85-87)	2	2100 * 2153 ** 2205	5 cyl SOHC	81.0 x 86.4 (3.19x3.40)	1358 (135.8)	Iron	Alum	(I) 38.1/(1.50) (E) 33.0/(1.30)	Fuel injection	2535/ (99.8)	1506/1527 (59.3/60.1)
Austin-Healey 3000 Mk. I, II, III	1	2340	6 Cyl OHV	83.3 x 88.9 (3.28x3.50)	2912 (177.6)	Iron	Iron	(I) 44.5/(1.75) (E) 39.6/(1.56)	(2) 1.75" SU or Stromberg or (3) 1.75" or 2" SU or Stromberg on stock 3-carb intake manifold	2329/ (91.7)	1359/1384 (53.5/54.5)
BMW 2002 / 2002tii	1	2000	4 Cyl SOHC	89.0 x 80.0 (3.50x3.15)	1990 (121.5)	Iron	Alum	(I) 46.0/(1.81) (E) 38.0/(1.50)	(1) 40 DCN, DCNF, IDF w/ 36mm choke(s), (2) Auto-type sidedraft w/ 38mm choke(s) on I.R. manifold, or fuel injection.	2499/ (98.4)	1430/1430 (56.3/56.3)
BMW 128i (08-13)	2	2700 * 2768 ** 2835	6 cyl DOHC	85.0 x 88.0 (3.35x3.46)	2996 (182.8)	Alum	Alum	(I) 34.2/(1.35) (E) 28.0/(1.10)	Fuel Injection	2736/ (104.7)	1590/1623 (62.6/63.9)
BMW 318i & 320i	1	2000	4 Cyl SOHC	89.0 x 80.0 (3.50x3.15)	1990 (121.5)	Iron	Alum	(I) 46.0/(1.81) (E) 38.0/(1.50)	(1) 40 DCN, DCNF, IDF w/ 36mm choke(s), (2) Auto-type sidedraft w/ 38mm choke(s) on I.R. manifold, or fuel injection.	2563/ (100.9)	1481/1494 (58.3/58.8)
BMW Z3 1.9L	2	2000 * 2050 ** 2100	4 Cyl DOHC	85.1 x 83.6 (3.35x3.29)	1895 (115.6)	Iron	Alum	(I) 33.0/(1.30) (E) 30.5/(1.20)	(2) Auto-type sidedrafts w/ 30mm choke(s), or fuel injection.	2446/ (96.3)	1481/1565 (58.3/61.6)

EP	Wheels (max)	Trans. Speeds (max)	Brakes Std. mm/(in.)	Brakes Alt.: mm/(in.)	Fuel Injected Equipped Throttle Body Inside Diameter (mm) +/- .25mm	Notes:
Acura Integra (86-89)	15 x 7	5	(F) 242/(9.5) Disc (R) 239/(9.4) Disc		55	Comp Ratio limited to 12.0:1. Valve lift (measured as raced - w/ lash): .500" max. Level 1 dry sump, connecting rods, intake manifold porting, crankshaft, rocker arms and cam followers.
Acura Integra GSR (94-00)	15 x 7	5	(F) 264/(10.4) Vented disc (R) 239/(9.4) Solid disc		60	Comp ratio limited to 12.0:1, Valve lift limited to .500".
Acura Integra Type-R (97-00)	15 x 7	5	(F) 286/(11.3) Vented disc (R) 260/(10.2) Solid disc		62	Comp ratio limited to 12.0:1, Valve lift limited to .500".
Acura RSX Type S (02-06)	18 x 8	6	(F) 300x25/(11.8) Vented (R) 260x9/(10.2) Solid		NA	Comp. Ratio limited to 12.0:1, Valve lift limited to .500".
Acura TSX (04-08)	18 x 8	6	(F) 300/(11.8) Vented (R) 260/(10.2) Solid		NA	Comp. Ratio limited to 12.0:1, Valve lift limited to .500".
Alfa Romeo Alfetta GT (75-79)	15 x 7	5	(F) 272/(10.7) Disc (R) 267/(10.5) Disc	(F) Alfa GTV-6 front calipers, Brembo aluminum (R) Alfa Spider rear calipers, ATE cast iron	stock throttle body I.D.	
Alfa Romeo GTV 2000	15 x 7	5	(F) 272/(10.7) Disc (R) 267/(10.5) Disc		stock throttle body I.D.	
Alfa Romeo GTV-6 (81-86)	15 x 7	5	Factory spec @ all 4 wheels.		stock throttle body I.D.	Comp Ratio limited to 12.0:1. Valve lift (measured as raced - w/ lash): .500" max. Level 1 dry sump, connecting rods, intake manifold porting, crankshaft, rocker arms and cam followers.
Alfa Romeo all Spider models (-1994)	15 x 7	5	(F) 272/(10.7) Disc (R) 267/(10.5) Disc	(F) 272/(10.7) Disc (R) 267/(10.5) Disc Front Discs: #105802205232 Rear Discs: #105802205333	stock throttle body I.D.	Niki Lauda Edition rear spoiler
Alfa Romeo Milano (87-89)	15 x 7	5	(F) 267x20/(10.5) Vented (R) 249x8/(9.8) Solid			Comp. Ratio limited to 12.0:1, Valve lift limited to .500"
Alfa Romeo Spider Duetto & 1750 Spider (thru 1971)	15 x 7	5	(F) 264/(10.4) Disc (R) 246/(9.7) Disc	(F & R) 264/(10.4) Disc (F) 272/(10.7) Disc (R) 267/(10.5) Disc	NA	Niki Lauda Edition rear spoiler
Audi Coupe GT (85-87)	15x7	5	(F) 256/(10.1) Vented (R) 201/(7.87) Drum			Comp. Ratio limited to 12.0:1, Valve lift limited to .450".
Austin-Healey 3000 Mk. I, II, III	15 x 7	4	(F) 286/(11.3) Disc (R) 279/(11.0) Drum	Rear Disc: #H82462 Front calipers & discs from TR-6 (std. or alt)	NA	Laycock overdrive: .88, .82, .79, May use 5 speed gearbox w/o overdrive.
BMW 2002/2002tii	15 x 7	4	(F) 256/(10.1) Disc (R) 230x40/(9.1x1.6) Drum	(F) 256x22 Disc, calipers: 34111101859, 34111101860	stock throttle body I.D.	
BMW 128i (08-13)	18x8	6	300/(11.8) Disc 300/(11.8) Disc		stock throttle body I.D.	Comp. Ratio limited to 11.0:1. Valve lift limited to .400".
BMW 318i/is & 320i/is	15 x 7	4 or 5	(F) 254/(10.0) Disc (R) 249x41/(9.8x1.6) Drum		stock throttle body I.D.	Trunk mounted fuel cell allowed, 1800cc engine from 318i allowed
BMW Z3 1.9L	15 x 7	5	(F) 286/(11.3) Disc (R) 280/(11.0) Disc		stock throttle body I.D.	Comp Ratio limited to 12.0:1. Valve lift (measured as raced - w/ lash): .500" max. Level 1 dry sump, connecting rods, intake manifold porting, crankshaft, rocker arms and cam followers.

EP	Prep. Level	Weight (lbs)	Engine Type	Bore x Stroke mm/(in.)	Displ. cc/ (ci) (nominal)	Block Mat'l	Head/PN & Mat'l	Valves IN & EX mm/ (in.)	Carburetor. No. & Type	Wheel-base mm/(in.)	Track (F/R) mm/(in.)
BMW Z3 2.5L	2	2450 * 2511 ** 2573	6 Cyl. DOHC	84.0 x 75.0 (3.31x2.95)	2494	Alum or Iron	Alum	(I) 33.0/(1.30) (E) 30.5/(1.20)	Fuel injection	2446/ (96.3)	1519/1603 (59.8/63.1)
BMW Z3 2.8L (97-00)	2	2650 * 2716 ** 2783	6 Cyl DOHC	84.0 x 84.0 (3.31x3.31)	2793	Iron	Alum	(I) 33.0/(1.30) (E) 30.5/1.20	Fuel Injection	2446/ (96.3)	1519/1603 (59.8/63.1)
BMW Z4 (03-05)	2	2550 * 2614 ** 2678	6 Cyl DOHC	84.1 x 75.0 (3.31x2.95)	2494 (152.0)	Alum	Alum	(I) 33.0/(1.30) (E) 30.5/(1.20)	Fuel injection throttle body i.d. 2.52	2494/ (98.2)	1580/1633 (62.2/64.3)
BMW 328i/is E36 (96-99)	2	2675 * 2742 ** 2809	6 Cyl DOHC	84.0 x 84.0 (3.31x3.31)	2793	Iron	Alum	(I) 33.0/(1.30) (E) 30.5/(1.20)	Fuel Injection	2700/ (106.3)	1514/1527 (59.6/60.1)
BMW 328i/ci E46 (01-06)	2	2750 * 2819 ** 2888	6 Cyl DOHC	84.0 x 84.0 (3.31x3.31)	2792 (170.4)	Iron	Alum	(I) 33.0/(1.30) (E) 30.5/(1.20)	Fuel injection	2725/ (107.3)	1554/1593 (61.2/62.7)
BMW 325i/is (E46) (01-06)	2	2575 * 2639 ** 2704	6 Cyl DOHC	84.1 x 75.0 (3.31x2.95)	2494 (152.1)	Iron	Alum	(I) 35.6/(1.40) (E) 30.5/(1.20)	Fuel injection	2725/ (107.3)	1554/1593 (61.2/62.7)
BMW 325i/is (E30) (84-91)	2	2200 * 2255 ** 2310	6 Cyl SOHC	84.1 x 75.0 (3.31x2.95)	2494 (152.1)	Iron	Alum	(I) 41.9/(1.65) (E) 36.1/(1.42)	Fuel injection	2565/ (101.0)	1499/1506 (59.0/59.3)
BMW 325i/is E-36 (92-95)	2	2500 * 2563 ** 2625	6 Cyl. DOHC	84.0 x 75.0 (3.31x2.95)	2494	Iron	Alum	(I) 35.0/(1.38) (E) 30.5/(1.20)	Fuel injection	2700/ (106.3)	1514/1527 59.6/60.1
BMW 325is M-Technic (1994)	2	2550 * 2614 ** 2678	6 Cyl DOHC	84.0 x 75.0 (3.31x2.95)	2494 (152.1)	Iron	Alum	(I) 35.6/(1.40) (E) 30.5/(1.20)	Fuel injection Throttle Bore 2.52"	2700/ (106.3)	1621/1636 (63.8/64.4)
Caterham Seven 280	2	1445 * 1481 ** 1517	4 Cy. DOHC	78.7 x 81.0 (3.10x3.20)	1596 (97.4)	Alum	Alum	(I) 30.5/(1.20) (E) 25.4/(1.00)	Fuel injection	2225/ (87.6)	1440/1450 (56.7/57.1)
Chevrolet Beretta (88-90)	2	2360 * 2419 ** 2478	6 Cyl. OHV	88.9 x 84.0 (3.50x3.31)	3135	Iron	Alum	(I) 43.2/(1.70) (E) 35.6/(1.40)	Fuel injection	2626/ (103.4)	1519/1506 (59.8/59.3)
Chevrolet Cavalier 2.0 (82-87)	1	2050	4 Cyl OHV	89.0 x 80.0 (3.50x3.15)	1990 (121.5)	Iron	Alum	(I) 43.0/(1.69) (E) 37.0/(1.46)	(2) Auto-type sidedraft w/ 32mm choke(s) on I.R. manifold, or fuel injection.	2570/ (101.2)	1407/1402 (55.4/55.2)
Chevrolet Corvair Coupe (65-69)	1	2200	6 Cyl OHV	87.4 x 74.7 (3.44x2.94)	2689 (164.0)	Alum	Alum	(I) 43.7/(1.72) (E) 34.5/(1.36)	(4) 1 bbl 1.5" Rochester 7025023 or 7026026 on stock manifold, (2) 3 bbl carbs on I.R. manifold. 34mm choke(s) req'd. Holley 390 CFM w/ center mount, I.R. manifold.	2743 (108.0)	1516/1572 (59.7/61.9)
Daimler SP 250	1	2165	8 cyl OHV	76.2 x 69.9 (3.00x2.75)	2548 (155.5)	Iron	Alum	(I) 38.1/(1.50) (E) 36.6/(1.44)	(2) 1.75" SU or Stromberg.	2337/ (92.0)	1384/1308 (54.5/51.5)

EP	Wheels (max)	Trans. Speeds (max)	Brakes Std. mm/(in.)	Brakes Alt.: mm/(in.)	Fuel Injected Equipped Throttle Body Inside Diameter (mm) +/- .25mm	Notes:
BMW Z3 2.5L	18 x 8	5	(F) 286/(11.3) Vented (R) 272/(10.7) Solid		64 maximum I.D.	Comp. Ratio limited to 12.0:1, Valve lift limited to .500". Alternate throttle body from BMW 92-95 325i (part #13541748105) is permitted only with Turner Motorsports adapter plate (part #TEN9990850) is permitted. 56mm Flat Plate Intake Restrictor is required with both stock or alternate throttle body. Cylinder head casting number 1738400 permitted with use of the allowed iron block (casting number 1748933 or 1738566).
BMW Z3 2.8L (97-00)	18 x 8	5	(F) 286/(11.3) Vented disc (R) 272/(10.7) Solid disc		64 maximum I.D.	Comp. Ratio limited to 12.0:1, Valve lift limited to .500". 59mm Flat Plate Intake Restrictor is required.
BMW Z4 (03-05)	18 x 8	5	(F) 284/(11.2) Vented (R) 279/(11.0) Solid		64 maximum I.D.	Comp. Ratio limited to 12.0:1, Valve lift limited to .500".
BMW 328i/is E36 (96-99)	17 x 8.5 18 x 8	5	(F) 286/(11.3) Vented (R) 280/(11.0) Solid		64 maximum I.D.	Comp. Ratio limited to 12.0:1, Valve lift limited to .500". 62mm Flat Plate Intake Restrictor is required.
BMW 328i/is E46 (01-06)	18 x 8	5	(F) 300/(11.81x.87) Vented (R) 295/(11.57"x.75) Vented		64 maximum I.D.	Comp. Ratio limited to 12.0:1, Valve lift limited to .500". 62mm Flat Plate Intake Restrictor is required.
BMW 325i/ci (E46) (01-06)	18 x 8	5	(F) 300/(11.81x.87) Vented (R) 295/(11.6x.75) Vented		64 maximum I.D.	Comp. Ratio limited to 12.0:1, Valve lift limited to .500". 60mm Flat Plate Intake Restrictor is required.
BMW 325i/is (E30) (84-91)	15 x 7	5	Factory spec @ all 4 wheels.		stock throttle body I.D.	Comp. Ratio limited to 12.0:1, Valve lift limited to .500". Trunk mounted fuel cell allowed. Convertible models allowed.
BMW 325i/is E-36 (92-95)	15 x 7	5	(F) 286/(11.3) Vented (R) 280/11.0) Solid		64 maximum I.D.	Comp. Ratio limited to 12.0:1, Valve lift limited to .500". 60mm Flat Plate Intake Restrictor is required.
BMW 325is M-Technic (1994)	18 x 8	5	(F) 315/(12.4 x 1.1) Vented (R) 312(12.3 x .79) Vented		64 maximum I.D.	Comp. Ratio limited to 12.0:1. Valve lift limited to .500". 60mm Flat Plate Intake Restrictor is required.
Caterham Seven 280	13 x 7	5	(F) 244/(9.65 x.39) Solid (R) 229/(9.05 x.39) Solid			Level 2 suspension preparation. Engine- Ford Sigma- is limited to IT preparation except modifications permitted in section 9.1.5.E.2.e. and h.2. Comp ratio is limited to 11.0:1. Valve lift is limited to .390. The roll cage must have a full width, high front and rear hoops that attach using the OEM cage mounting points. The side intrusion bars shall remain outside the passenger compartment.
Chevrolet Beretta (88-90)	15 x 7	5	(F) 259/(10.2) Disc solid (R) 200/(7.87) Drum			Comp. Ratio limited to 12.0:1, Valve lift limited to .500"
Chevrolet Cavalier 2.0 (82-87)	13 x 7	5	(F) 247/(9.7) Disc (R) 200x45/(7.9) Drum		stock throttle body I.D.	
Chevrolet Corvair Coupe (65-69)	15 x 7	4	(F) 241/(9.5) Drum (R) 241/(9.5) Drum	(F&R) 270 x 26 Vented Disc Calipers shall be ferrous or aluminum and shall be limited to (1) piston per side.	NA	Yenko Stinger rear quarter windows, rear decklid, and trunk flaps are permitted. Cylinder barrels of alternate material are permitted.
Daimler SP 250	15x7	4	(F) 267/(10.5) Disc (R) 254/(10.0) Disc		N/A	Laycock overdrive, may use 5 speed gearbox w/o overdrive.

EP	Prep. Level	Weight (lbs)	Engine Type	Bore x Stroke mm/(in.)	Displ. cc/ (ci) (nominal)	Block Mat'l	Head/PN & Mat'l	Valves IN & EX mm/ (in.)	Carburetor. No. & Type	Wheel-base mm/(in.)	Track (F/R) mm/(in.)
Dodge Omni GLH 2.2	1	2050	4 Cyl SOHC	87.5 x 92.0 (3.44x3.62)	2213 (135.0)	Iron	Alum	(I) 40.6/(1.60) (E) 35.4/(1.39)	(1) 40 DCN, DCNF, IDF w/ 34mm choke(s), (2) Auto-type sidedraft w/ 32mm choke(s) on I.R. manifold, or fuel injection.	2517/ (99.1)	1560/1549 (61.4/61.0)
Dodge Shelby Charger / Omni O24 (83-84)	1	2000	4 Cyl SOHC	87.5 x 92.0 (3.44x3.62)	2213 (135.0)	Iron	Alum	(I) 40.6/(1.60) (E) 35.4/(1.39)	(2) Auto-type sidedraft w/ 30mm choke(s) on I.R. manifold, or fuel injection.	2451/ (96.5)	1486/1473 (58.5/58.0)
Elva Courier Mk I, II, & III 1622 & 1798	1	1622cc: 1530 1798cc: 1630	4 Cyl OHV	76.2 x 88.9 (3.0x3.50) 80.3 x 88.9 (3.16x3.50)	1622 1798	Iron	Iron	(I) 39.9/(1.57) (E) 34.3/(1.35)	(2) 1.75" SU or Stromberg	2286/ (90.0)	1359/1387 (53.5/54.6)
Elva Courier Mk III, IV 1800 & Mk IV R&C	1	1630	4 Cyl OHV	80.3 x 88.9 (3.16x3.50)	1798	Iron	Iron	(I) 39.9/(1.57) (E) 34.3/(1.35)	(2) 1.75" SU or Stromberg	2286/ (90.0)	1359/1387 (53.5/54.6)
Fiat 124 Sport Spider 1600 & 124 Spider 2000	1	2050	4 Cyl DOHC	80.0 x 80.0 (3.15x3.15) 84.1 x 89.9 (3.31x3.54)	1608 (98.1) 1995 (121.7)	Iron	Alum	(I) 41.7/(1.64) (E) 36.6/(1.44)	(2) Weber 40 IDF-40IFI, (2) Solex C40P116, 34mm choke(s) req'd, (2) Weber 45DCOE w/ 34 mm choke(s) on I.R. manifold or fuel injection.	2281/ (89.8)	1453/1422 (57.2/56.0)
Ford Escort 1.9 (85-87)	1	1870	4 Cyl SOHC	82.0 x 88.0 (3.23x3.46)	1859 (113.4)	Iron	Alum	(I) 42.0/(1.65) (E) 37.0/(1.46)	(2) Auto-type sidedraft w/ 32mm choke(s) on I.R. manifold, or fuel injection.	2393/ (94.2)	1455/1488 (57.3/58.6)
Ford Mustang (94-98)	2	2550 * 2614 ** 2678	6 Cyl OHV	96.8 x 86.1 (3.81x3.39)	3797 (231.7)	Iron	Alum	(I) 45.7/(1.80) (E) 38.1/(1.50)	Fuel injection	2573/ (101.3)	1689/1697 (66.5/66.8)
Ford Mustang (99-03)	2	2700 * 2768 ** 2835	6 cyl. OHV	96.8 x 86.1 (3.81x3.39)	3797 (231.7)	Iron	Alum	(I) 47.3/(1.86) (E) 37.1/(1.46)	Fuel injection	2573/ (101.3)	1689/1697 (66.5/66.8)
Ford Pinto	1	2190	4 Cyl SOHC	96.0 x 79.4 (3.78x3.13)	2301 (140.4)	Iron	Iron	(I) 44.1/(1.74) (E) 38.1/(1.50)	(1) 40 DCN, DCNF, IDF w/ 36mm choke(s), (2) Auto-type sidedraft w/ 32 mm choke(s) on I.R. manifold.	2388/ (94.0)	1488/1509 (58.6/59.4)
Ford Probe (93-97)	2	2000 * 2050 ** 2100	4 Cyl DOHC	83.0 x 92.0 (3.27x3.62)	1991	Iron	Alum	(I) 31.5/(1.24) (E) 27.6/(1.09)	Fuel injection	2614/ (102.9)	1628/1628 (64.1/64.1)
Honda Civic Si (06-11)	2	2300 * 2358 ** 2415	4 Cyl DOHC	86.1 x 86.0 (3.39x3.39)	1998	Alum	Alum	(I) 35.0/(1.38) (E) 30.0/(1.18)	Fuel injection	2649/ (104.3)	1499/1527 (59.0/60.1)
Honda Civic Si (12-15)	2	2450 * 2511 ** 2573	4 Cyl DOHC	87.1 x 99.0 (3.43x3.90)	2355 (143.7)	Alum	Alum	(I) 35.6/(1.40) (E) 30.5/(1.20)	Fuel injection Throttle Bore 2.52"	2619/ (103.1)	1613/1631 (63.5/64.2)
Honda Prelude Si	2	2320 * 2378 ** 2436	4 Cyl DOHC	87.0 x 95.0 (3.43x3.74)	2259 (137.8)	Alum	Alum	(I) 34.0/(1.34) (E) 29.0/(1.14)	(2) Auto-type sidedraft w/ 32mm choke(s) on I.R. manifold, or fuel injection.	2550 (100.4)	1615/1605 (63.6/63.2)
Honda Prelude Si VTEC (1993)	2	2425 * 2486 ** 2546	4 Cyl DOHC	87.0 x 90.0 (3.43x3.54)	2157	Alum	Alum	(I) 35.0/(1.38) (E) 30.0/(1.18)	Fuel injection	2550 (100.4)	1632/1622 (64.2/63.9)
Honda S2000	2	1997cc: 2450 *2511 **2573 2157cc: 2510 *2573 **2636	4 Cyl DOHC	87.0 x 84.0 (3.43x3.31) 87.0 x 90.7 (3.43x3.57)	1997 (121.9) 2157 (131.6)	Alum	Alum	(I) 36.0/(1.42) (E) 31.0/(1.22)	Fuel Injection	2400 (94.5)	1577/1618 (62.1/63.7)

EP	Wheels (max)	Trans. Speeds (max)	Brakes Std. mm/(in.)	Brakes Alt.: mm/(in.)	Fuel Injected Equipped Throttle Body Inside Diameter (mm) +/- .25mm	Notes:
Dodge Omni GLH 2.2	15 x 7	5	(F) 256/(10.1) Disc (R) 200x33/(7.9 x 1.3) Drum		stock throttle body I.D.	
Dodge Shelby Charger / Omni 024 (83-84)	15 x 7	5	(F) 256/(10.1) Disc (R) 200x33/(7.9) Drum		stock throttle body I.D.	
Elva Courier Mk I, II, & III 1622 & 1798	15 x 7	4	(F) 229/(9.0) Drum (R) 203/(8.0) Drum	(F) 229 Disc (R) 254 Drum (w/ MGA axle) (F) 279 Disc (R) Mk. 4T 229	NA	ATB 7224 MGA axle housing assy. Only the Mk III 1622cc is allowed to update to the 1798cc engine including the 15" wheel. A Mk III making this update may also use the 13" wheels.
Elva Courier Mk III, IV 1800 & Mk IV R&C	15 x 7	4	(F) 229/(9.0) Drum (R) 203/(8.0) Drum	(F) 229 Disc (R) 254 Drum (w/ MGA axle) (F) 279 Disc (R) Mk. 4T 229	NA	Mk IV T R&C have IRS, Mk III & IV 1800 have live axle. ATB 7224 MGA axle housing assy.
Fiat 124 Sport Spider 1600 & 124 Spider 2000	15 x 7	5	(F) 226/(8.9) Disc (R) 226/(8.9) Disc	(F & R) 254 (10.0) Disc Alternate rotor: # 82346805	stock throttle body I.D.	Intake manifold: #124A20079-3, Allow alternate PBS intake manifold.
Ford Escort 1.9 (85-87)	15 x 7	4 or 5	(F) 235/(9.3) Disc (R) 180/(7.1) Drum		stock throttle body I.D.	
Ford Mustang (94-98)	15 x 7	5	(F) 274/(10.83) Vented Disc (R) 267/(10.5) Solid Disc			Comp. Ratio limited to 11.0:1, Valve lift limited to .500"
Ford Mustang (99-03)	17 x 8	5	(F) 276/(10.8) Vented Disc (R) 267/(10.5) Solid Disc		56	Comp. Ratio limited to 11.0:1, Valve lift limited to .500"
Ford Pinto	15 x 7	4 or 5	(F) 236/(9.3) Disc (R) 229x36/(9.0x 1.4) Drum		NA	
Ford Probe (93-97)	15 x 7	5	(F) 258/(10.2) Vented Disc (R) 228/(9.0) Drum		stock throttle body I.D.	Comp. Ratio limited to 12.0:1, Valve lift limited to .500".
Honda Civic Si (06-11)	18 x 8	6	(F) 300x26/(11.8) vented (R) 260x10/(10.2) solid		NA	Comp. Ratio limited to 12.0:1, Valve lift limited to .500".
Honda Civic Si (12-15)	18 x 8	5 or 6	(F) 300/(11.8 x .98) Vented Disc (R) 259/(10.2 x .35) Solid Disc			Comp. Ratio limited to 12.0:1, Valve lift limited to .500"
Honda Prelude Si	15 x 7	5	(F&R) 259/(10.2) Disc		60	Comp Ratio limited to 12.0:1. Valve lift (measured as raced - w/ lash): .500" max. Level 1 dry sump, connecting rods, intake manifold porting, crankshaft, rocker arms and cam followers. OEM or aftermarket rear wing is not permitted.
Honda Prelude Si VTEC (1993)	15 x 7	5	Factory spec @ all 4 wheels.		60	Comp. Ratio limited to 12.0:1, Valve lift limited to .500".
Honda S2000	17 x 8.5 18 x 8	6	(F) 300 (11.8) Vented Disc (R) 282 (11.1) Solid Disc		62	Comp. Ratio limited to 12.0:1. Valve lift limited to .500".

EP	Prep. Level	Weight (lbs)	Engine Type	Bore x Stroke mm/(in.)	Displ. cc/(ci) (nominal)	Block Mat'l	Head/PN & Mat'l	Valves IN & EX mm/(in.)	Carburetor. No. & Type	Wheel-base mm/(in.)	Track (F/R) mm/(in.)
Hyundai Tiburon FX 2.0L (97-98)	2	2000 * 2050 ** 2100	4 Cyl DOHC	82.0 x 93.5 (3.23x3.68)	1975	Alum	Alum		Fuel injection	2474 (97.4)	1466/1450 (57.7/57.1)
Jensen-Healey and GT	1	2090	4 Cyl DOHC	85.3 x 69.3 (3.36x2.73)	1973 (120.4)	Alum	Alum	(I) 35.6/(1.40) (E) 30.5/(1.22)	(2) Weber 45 DCOE on I.R. Manifold w/ 34mm choke(s)	2337 (92.0)	1448/1422 (57.0/56.0)
Lotus / Caterham 7 America	2	Zetec: 1460 * 1497 ** 1533 Zetec SVT: 1560 * 1599 ** 1638	4 Cyl DOHC (Ford ZETEC and Ford ZETEC SVT)	84.8 x 88.0 (3.34x3.46)	1989 (121.3)	Iron	Alum	ZETEC: (I) 32.0/(1.26) (E) 28.0/(1.10) ZETEC SVT: (I) 33.5/(1.32) (E) 28.0/(1.10)	Fuel injection	2235 (88.0)	1336/1349 (52.6/53.1)
Lotus Elise	2	2250 *2306 **2363	4 Cyl DOHC	82.0 x 85.0 (3.23x3.35)	1796	Alum	Alum	(I)36.1/(1.42) (E)31.1/(1.22)	fuel injection	2400 (94.5)	1577/1618 (62.1/63.7)
Mazda 3 S (04-08)	2	2350 * 2409 ** 2468	4 cyl DOHC	87.5 x 94.0	2260	Alum	Alum	(I) 35.1 (E) 30.0	Fuel injection	2640	1638/1623
Mazda MX-5 / Miata 1.6L (-1993)	1	2125	4 Cyl DOHC	78.0 x 83.6 (3.07x3.29)	1597 (97.4)	Iron	Alum	(I) 31.1/(1.22) (E) 26.3/(1.04)	(1) 40mm Auto-type sidedraft w/ 30mm choke(s), (2) Auto-type sidedraft w/ 32mm choke(s) on I.R. manifold, or fuel injection.	2266 (89.2)	1478/1491 (58.2/58.7)
Mazda MX-5 / Miata 1.8L (90-97)	1/2 See Notes	2200	4 Cyl DOHC	83.0 x 85.0 (3.27x3.35)	1840 (112.2)	Iron	Alum	(I) 33.1/(1.30) (E) 28.2/(1.11)	(2) Auto-type sidedraft w/ 32mm choke(s) on I.R. manifold, or fuel injection.	2266 (89.2)	1483/1509 (58.4/59.4)
Mazda MX-5 / Miata (94-97)	2	2035 * 2086 ** 2137	4 Cyl DOHC	83.0 x 85.0 (3.27x3.35)	1840 (111.2)	Iron	Alum	(I) 33.1/(1.30) (E) 28.2/(1.11)	Fuel injection	2266 (89.2)	1483/1509 (58.4/59.4)
Mazda MX-5 / Miata (99-05)	2	2150 * 2204 ** 2258	4 Cyl DOHC	83.0 x 85.0 (3.27x3.35)	1840 (112.2)	Iron	Alum	(I) 33.1/(1.30) (E) 28.2/(1.11)	(1) 40mm Auto-type sidedraft w/ 30mm choke(s), (2) Auto-type sidedraft w/ 28mm choke(s) on I.R. manifold, or fuel injection.	2266 (89.2)	1521/1547 (59.9/60.9)
Mazda MX-5 (06-15)	2	2250 * 2306 ** 2363	4 Cyl DOHC	87.4 x 83.1 (3.44x3.27)	1999	Alum	Alum	(I) 35.1/(1.38) (E) 30.0/(1.18)	Fuel Injection	2329 (91.7)	1600/1605 (63.0/63.2)
Mazda MX-5 Global Cup (16-22)	2	2400	4 Cyl. DOHC	83.6 x 91.2 (3.29x3.59)	(121.9)	Alum	Alum		Fuel injection	2309 (90.9)	1496/1504 (58.9/59.2)
Mazda MX-5 (16-18)	2	2350 *2409 **2468	4 cyl. DOHC	83.6 x 91.2 (3.29x3.59)	2000	Alum	Alum	(I) 31.8/(1.25) (E) 26.3/(1.04)	Fuel injection	2309 (90.9)	1605/1613 (63.2/63.5)

EP	Wheels (max)	Trans. Speeds (max)	Brakes Std. mm/(in.)	Brakes Alt.: mm/(in.)	Fuel Injected Equipped Throttle Body Inside Diameter (mm) +/- .25mm	Notes:
Hyundai Tiburon FX 2.0L (97-98)	15 x 6	5	(F) 257/(10.1) Disc (R) 203/(8.0) Drum		stock throttle body I.D.	Comp. Ratio limited to 10.5:1., Valve lift limited to .450".
Jensen-Healey and GT	15 x 7	4 or 5	(F) 254/(10.0) Disc (R) 229/(9.0) Drum	(F) 257 / (10.1) Disc (R) 229 / (9.0) Drum (F) 267 / (10.5) Vented Disc (R) 267 x 20 Disc from TR-8	NA	Toyota rear differential w / 8" ring gear (4WD rear)
Lotus / Caterham 7 America	13 x 7	5	(F&R) 229/(9.0) Disc		stock throttle body I.D.	Comp. Ratio limited to 10.0: 1, Valve lift limited to .380". The rollcage may be modified or replaced. The rollcage must have a full-width, high front & rear hoop, using the OEM cage mounting points. The side intrusion bars shall remain outside the passenger compartment. The Caterham "clamshell" front fender is required. Front fenders shall be mounted in the normal position as provided from the factory. Front fenders may be modified as described here. The fender mounting flange shall be a minimum of 36" in length. At the rear of the fender, the lower edge of the mounting flange shall extend no higher than 8-1/2" above the undertray of the vehicle. At its maximum width, the fender shall be no narrower than 20-1/2" as measured along the upper curvature. At a point 18" rearward from the front of the flange, the fender shall be no narrower than 7" along the upper curvature and at 34" the fender shall be no less than 3" along the upper curvature. From 34" rearward, a radius may provide a transition between the outer and the rearmost fender edges. The contours resulting from this modification shall be gradual and describe a smooth curve in plan view. No further modifications are allowed. Zetec SVT casting number: 2M5V-6F 093
Lotus Elise	16 x 7	6	(F)288/(11.3) Vented Disc (R)288/(11.3) Vented Disc		stock throttle body I.D.	Comp. Ratio limited to 12.0:1, Valve lift limited to .500".
Mazda 3 S (04-08)	18x8	5	(F) 300 Vented Disc (R) 280 Solid Disc		55mm	Comp. Ratio limited to 12.0:1, Valve lift limited to .500".
Mazda MX-5 / Miata 1.6L (-1993)	15 x 7	5	(F) 235/(9.3) Vented Disc (R) 231/(9.1) Solid Disc	(F) 254/(10.0) Vented Disc (R) 251/(9.9) Solid Disc	55mm	"Dual Y" manifold required w / single DCOE carb., no plenum or balance tubes. 1994 Mazda Miata (1840cc) differential housing is permitted.
Mazda MX-5 / Miata 1.8L (90-97)	15 x 7	5	(F) 235/(9.3) Vented Disc (R) 231/(9.1) Solid Disc	(F) 254/(10.0) Vented Disc (R) 251/(9.9) Solid Disc	55mm	Comp Ratio limited to 12.0:1. Valve lift (measured as raced - w/ lash): .500" max. Drivetrain Level 2 preparation only. Listed spec line weight does not change with alternate or stock transmission. Level 1, dry sump, connecting rods, intake manifold porting, crankshafts, rocker arms and cam followers. OEM hard top allowed.
Mazda MX-5 / Miata (94-97)	15 x 7	5	(F) 235/(9.3) Vented Disc (R) 231/(9.1) Solid Disc	(F) 254/(10.0) Vented Disc (R) 251/(10.0) Solid Disc	55mm	Comp. Ratio limited to 12.0:1. Valve lift (measured as raced - w/ lash): .500" max. Level 1 dry sump, connecting rods, intake manifold porting, crankshaft, rocker arms and cam followers.
Mazda MX-5 / Miata (99-05)	15 x 7	5	(F) 235/(9.3) Vented Disc (R) 231/(9.1) Solid Disc	(F) 254/(10.0) Vented Disc (R) 251/(9.9) Solid Disc	55mm	Comp Ratio limited to 12.0:1. Valve lift (measured as raced - w/ lash): .500" max. Level 1 dry sump, connecting rods, intake manifold porting, crankshaft, rocker arms and cam followers. Variable valve timing prohibited.
Mazda MX-5 (06-15)	18 x 8	5 or 6	(F) 290 (11.4) Vented Disc (R) 279 (11.0) Solid Disc		60mm	Comp. Ratio limited to 12.0:1, Valve lift limited to .500". Stock Acura 60mm cable operated throttle body part number 16400-PND-A17 permitted.
Mazda MX-5 Global Cup (16-22)	17 x 7.5	6	(F) 279/(11.0) Vented (R) 279/(11.0) Solid			Car preparation is limited to what is permitted by the MX-5 Global Cup rules and the car must meet all MX-5 Global Cup rules except as otherwise indicated within this spec line. Competitors must have the current MX-5 Global Cup rules in their possession and present them upon request. Sequential gearbox is allowed with +150lbs.
Mazda MX-5 (16-18)	17 x 8	6	(F) 280x22/(11.0) Vented (R) 280x9.5/(11.0) Solid		Stock Throttle Body I.D.	Comp. Ratio limited to 13.0:1. Valve lift limited to .500".

EP	Prep. Level	Weight (lbs)	Engine Type	Bore x Stroke mm/(in.)	Displ. cc/ (ci) (nominal)	Block Mat'l	Head/PN & Mat'l	Valves IN & EX mm/ (in.)	Carburetor. No. & Type	Wheel-base mm/(in.)	Track (F/R) mm/(in.)
Mazda Protégé ES (01-03)	2	2000 * 2050 ** 2100	4 Cyl DOHC	83.0 x 92.0 (3.27x3.62)	1991	Iron	Alum	(I) 31.5/(1.24) (E) 27.6/(1.09)	Fuel injection	2611 (102.8)	1544/1549 (60.8/61.0)
Mazda RX-2	2	1900 * 1948 ** 1995	Rotary	12A	2292 (139.8)				(1) Nikki 4 bbl carburetor w/ primary choke(s) bored to match secondary choke(s) on a stock manifold, (1) Auto-type 2 bbl w/ 42mm choke(s) on a "dual-y" manifold, or (1) 2 bbl fuel injected throttle body w/42mm choke(s) on a "dual-y" manifold.		
Mazda RX-3 & 3SP (72-78)	2	1900 * 1948 ** 1995	Rotary	12A	2292 (139.8)				(1) Nikki 4 bbl carburetor w/ primary choke(s) bored to match secondary choke(s) on a stock manifold, (1) Auto-type 2 bbl w/ 42mm choke(s) on a "dual-y" manifold, or (1) 2 bbl fuel injected throttle body w/42mm choke(s) on a "dual-y" manifold.	2311 (91.0)	1410/1410 (55.5/55.5)
Mazda RX-4 (74-78)	2	2050 * 2101 ** 2153	Rotary	13B 6-port	2616				(1) Nikki 4 bbl carburetor w/ primary choke(s) bored to match secondary choke(s) on a stock manifold, (1) Auto-type 2 bbl w/ 42mm choke(s) on a "dual-y" manifold	2515 (99.0)	1524/1499 (60.0/59.0)
Mazda RX-7 (12A/13B) (79-85)	2	12A: 1950 * 1999 ** 2048 13B: 2025 * 2076 ** 2126	Rotary	12A 13B (6-port only)	2292 (139.8) 2616 (159.6)				12A: (1) Nikki 4 bbl carburetor w/ primary choke(s) bored to match secondary choke(s) on a stock manifold, (1) Auto-type 2 bbl w/42mm choke(s) on a "dual-y" manifold, or (1) 2 bbl fuel injected throttle body w/42mm choke(s) on a "dual-y" manifold. 13B: (1) Auto-type 2 bbl w/ 42mm choke(s) on a "dual-y" manifold, (1) 2 bbl fuel injected throttle body w/ 42mm choke(s) on a "dual-y" manifold, or stock 13B fuel injection.	2421 (95.3)	1524/1499 (60.0/59.0)
Mazda RX-7 (13B) (86-91)	2	2175 * 2229 ** 2284	Rotary	13B (6-port only)	2616 (159.6)				(1) Auto-type 2 bbl w/ 42mm choke(s) on a "dual-y" manifold, (1) 2 bbl fuel injected throttle body w/ 42mm choke(s) on a "dual-y" manifold, or stock 13B fuel injection.	2431 (95.7)	1542/1532 (60.7/60.3)
Mazda RX-8 (04-11)	2	2300 * 2358 ** 2415	Rotary	Renesis	2616 (159.6)				Fuel Injection	2703 (106.4)	1605/1615 (63.2/63.6)
Mazda RX-8 (04-11) (alternate)	2	Renesis: 2300, * 2358, ** 2415 13B: 2375, * 2434, ** 2494	Rotary	Renesis 13B (6-port only)	2616 (159.6)				Renesis: Fuel Injection. 13B: (1) Auto-type 2 bbl carb w/ 42mm choke(s) on a "dual-y" manifold, (1) 2 bbl fuel injected throttle body w/ 42mm choke(s) on a "dual-y" manifold, or stock 13B fuel injection.	2703 (106.4)	1605/1615 (63.2/63.6)
MGB & MGB-GT	1	1760	4 Cyl OHV	80.3 x 88.9 (3.16x3.50)	1798 (109.7)	Iron	Iron	(I) 39.9/(1.57) (I) 41.4/(1.63) (E) 34.3/(1.35)	(2) 1.5" SU HS-4, (2) 2" SU or Stromberg, (2) 1.75" SU	2311 (91.0)	1346/1351 (53.0/53.2)
Mercedes-Benz 190E 2.3L (8-valve) (84-93)	2	2100 * 2153 ** 2205	4 Cyl SOHC	96.5 x 80.3 (3.80x3.16)	2299 (140.2)	Iron	Alum	(I) 46.1/(1.81) (E) 39.1/(1.54)	Fuel injection	2665 (104.9)	1529/1510 (60.2/59.4)
Mercury Capri 2.3 (79-86)	2	2100 * 2153 ** 2205	4 Cyl SOHC	96.0 x 79.4 (3.78x3.13)	2301	Iron	Iron	(I) 44.1/(1.74) (E) 38.1/(1.50)	(1) Holley-Weber 5200 or fuel injection.	2550 (100.4)	1544/1554 (60.8 / 61.2)
Morgan Super Sport	1	1820	4 Cyl OHV	86.1 x 91.1 (3.39x3.59)	2138	Iron	Iron	(I) 39.6/(1.56) (E) 33.0/(1.30)	(2) Weber 42 DCOE w/ 34mm choke(s)	2438 (96.0)	1321/1334 (52.0/52.5)
Nissan Sentra SER Spec V (02-06)	2	2400 * 2460 ** 2520	4 Cyl. DOHC	80 x 100	2488	Iron	Alum	(I) 35.8 (E) 30.8	Fuel injection	2535/99.8	61.9 / 61.2

EP	Wheels (max)	Trans. Speeds (max)	Brakes Std. mm/(in.)	Brakes Alt.: mm/(in.)	Fuel Injected Equipped Throttle Body Inside Diameter (mm) +/- .25mm	Notes:
Mazda Protégé ES (01-03)	15 x 7	5	Factory spec @ all 4 wheels.		stock throttle body I.D.	Comp. Ratio limited to 12.0:1, Valve lift limited to .500".
Mazda RX-2	15 x 7	5	(F) 231/(9.1) Disc (R) 201/(7.9) Drum	(F) 227/(8.9) Disc (F) 250 Disc (R) 229/(9.0) Drum (R) 236 Disc (R) 256 Disc	NA	Level 1 dry sump, intake manifold porting permitted.
Mazda RX-3 & 3SP (72-78)	15 x 7	5	(F) 231/(9.1) Disc (R) 201/(7.9) Drum	(F) 227/(8.9) Disc Discs and calipers from 79-85 12A RX-7 (R) 229/(9.0) Drum (F) 250/(9.8) Disc Discs and calipers from '84-'85 RX-7 GSL-SE	NA	Level 1 dry sump, intake manifold porting permitted. Alternate multi-piece hub and rotor allowed provided they are of the same dimensions as original and weigh a minimum of 10.2 lbs.
Mazda RX-4 (74-78)	15 X 7	5	(F) 232/(9.1) Disc (R) 229/(9.0) Drum	(F) 227/(8.9) Disc Discs and calipers from 79-85 12A RX-7 (F) 250/(9.8) Disc Discs and calipers from '84-'85 RX-7 GSL-SE	NA	Level 1 dry sump, intake manifold porting permitted. Any 86-95 rotor housing permitted.
Mazda RX-7 (12A/13B) (79-85)	15 x 7	5	(F) 227/(8.9) Disc (R) 200/(7.9) Drum	(F) 250/(9.8) Disc (R) 236/(9.3) Disc (R) 256/(10.1) Disc	stock throttle body I.D.	Level 1 dry sump, intake manifold porting permitted. 13B (only): Any 13B rotor housing and any non-turbo 6-port side and/or intermediate housing permitted. Use of differential from 94-97 Mazda MX-5/ Miata permitted.
Mazda RX-7 (13B) (86-91)	15 x 7	5	(F) 250/(9.8) Disc (R) 256/(10.1) Disc	(F) 277/(10.9) Disc (R) 272/(10.7) Disc	stock throttle body I.D.	Any 13B rotor housing and any non-turbo 6-port side and/or intermediate housing permitted. Level 1 dry sump, intake manifold porting permitted. OEM or aftermarket rear spoiler not permitted.
Mazda RX-8 (04-11)	18 x 8	6	(F) 323/(12.7) Vented Disc (R) 303/(11.9) Vented Disc		stock throttle body I.D.	Pro Formula Mazda throttle body measuring 70mm inside dimension allowed.
Mazda RX-8 (04-11) (alternate)	18 x 8	6	(F) 323/(12.7) Vented Disc (R) 303/(11.9) Vented Disc	stock throttle body I.D.		Renesis: Pro Formula Mazda throttle body measuring 70 mm inside dimension allowed. 13B: Any 13B rotor housing and any non-turbo 6-port side and/or intermediate housing permitted. Firewall may be modified as necessary for fitment of 13B into stock chassis engine mount location. Firewall must be sealed in the area of the modification.
MGB & MGB-GT	15 x 7	4	(F) 273/(10.7) Disc (R) 254/(10.0) Drum		NA	17th 8152 (0.75") wheel cylinders, Alternate intake manifold for 2" SU: #12 H2838, Laycock overdrive, May use 5 speed gearbox w/o overdrive. Alt. Manifold: Any individual runner manifold with runner length of 3.0-4.0" measured flange to flange.
Mercedes-Benz 190E 2.3L (8-valve) (84-93)	15 x 7	5	Factory spec @ all 4 wheels.		stock throttle body I.D.	Comp. Ratio limited to 10.5:1, Valve lift limited to .450".
Mercury Capri 2.3 (79-86)	15 x 7	4 or 5	(F) 256/(10.1) Vented Disc (R) 229/(9.0) Drum		stock throttle body I.D.	Comp. Ratio limited to 12.0:1, Valve lift limited to .500".
Morgan Super Sport	13 x 7	4	(F) 279/(11.0) Disc (R) 229/(9.0) Drum		NA	
Nissan Sentra SER Spec V (02-06)	18 x 8	6	(F) 305 (R) 278		NA	Comp. Ratio limited to 12.0:1, Valve lift limited to .500".

GCR - 499

9.1.5. EP Spec Lines

EP	Prep. Level	Weight (lbs)	Engine Type	Bore x Stroke mm/(in.)	Displ. cc/ (ci) (nominal)	Block Mat'l	Head/PN & Mat'l	Valves IN & EX mm/ (in.)	Carburetor. No. & Type	Wheel-base mm/(in.)	Track (F/R) mm/(in.)
Nissan/Datsun 240Z	2	2150 * 2204 ** 2258	6 Cyl SOHC	83.0 x 73.3 (3.27x2.89)	2380 (145.2)	Iron	Alum	(I) 42.0/(1.65) (E) 33.0/(1.30)	(2) Hitachi-SU (1bbl) 46mm throttle bores	2304 (90.7)	1445/1438 (56.9/56.6)
Nissan/Datsun 260Z	2	2250 * 2306 ** 2363	6 Cyl SOHC	83.0 x 79.0 (3.27x3.11)	2565 (156.5)	Iron	Alum	(I) 42.0/(1.65) (E) 35.0/(1.38)	(2) Hitachi-SU (1bbl) 46mm throttle bores	2304 (90.7)	1445/1438 (56.9/56.6)
Nissan 280Z	2	2560 * 2624 ** 2688	6 Cyl. SOHC	86.1 x 79.0 (3.39x3.11)	2760	Iron	Alum	(I) 44.2/(1.74) (E) 35.3/(1.39)	(2) Hitachi-SU (1bbl) 46mm throttle bores, or fuel injection	2304 (90.7)	1445/1438 (56.9/56.6)
<i>Nissan 280ZX (79-83)</i>	<i>2</i>	<i>2425 * 2486 ** 2546</i>	<i>6 cyl SOHC</i>	<i>86.1 x 79.0 (3.39x3.11)</i>	<i>2760 (168.4)</i>	<i>Iron</i>	<i>Alum</i>	<i>(I) 44.2/(1.74) (E) 35.3/(1.39)</i>	<i>Fuel Injection</i>	<i>2320 (91.3)</i>	<i>1488/1483 (58.6/58.4)</i>
Nissan/Datsun SRL 311U Roadster	1	1925	4 Cyl SOHC	87.1 x 83.1 (3.43x3.27)	1982 (120.9)	Iron	Alum	(I) 46.0/(1.81) (E) 36.1/(1.42)	(2) Mikuni PHH 44mm. 38mm choke(s) req'd, (2) Hitachi-SU (1bbl) 46mm throttle bores.	2281 (89.8)	1364/1288 (53.7/50.7) (w / 6") 1389/1313 (54.7/51.7) (w / 7")
Nissan 200-SX / S10 (77-79)	1	1950	4 Cyl SOHC	85.1 x 86.1 (3.35x3.39)	1952 (119.1)	Iron	Alum	(I) 42.1/(1.66) (E) 35.2/(1.39)	(1) 40 DCN, DCNF, IDF w/ 36mm choke(s), (2) Auto-type sidedraft w/ 30mm choke(s) on I.R. manifold.	2337 (92.0)	1453/1405 (57.2/55.3)
Nissan 200-SX SE-R	2	2150 * 2204 ** 2258	4 Cyl DOHC	86.0 x 86.0 (3.39x3.39)	1998 (121.9)	Iron	Alum	(I) 34.2/(1.35) (E) 30.2/(1.19)	(2) Auto-type sidedraft w/ 32mm choke(s) on I.R. manifold, or fuel injection.	2431 (95.7)	1537/1516 (60.5/59.7)
Nissan 240-SX / S13	2	2320 * 2378 ** 2436	4 Cyl SOHC (3 valve)	89.0 x 96.0 (3.50x3.78)	2389 (145.7)	Iron	Alum	(I) 34.0/(1.34) (E) 40.0/(1.57)	(2) Auto-type w/ 30mm choke(s), or fuel injection.	2474 (97.4)	1572/1567 (61.9/61.7)
Nissan 240-SX S13/S14 (91-98)	2	2400 * 2460 ** 2520	4 Cyl DOHC	89.0 x 96.0 (3.50x3.78)	2389 (145.7)	Iron	Alum	(I) 38.1/(1.50) (E) 31.8/(1.25)	Fuel injection	S13: 2474 (97.4) S14: 2525 (99.4)	1588/1577 (62.5/62.1)
Nissan NX-2000	2	2175 * 2229 ** 2284	4 Cyl DOHC	86.0 x 86.0 (3.39x3.39)	1998 (121.9)	Iron	Alum	(I) 34.2/(1.35) (E) 30.2/(1.19)	(2) Auto-type sidedraft w/ 32mm choke(s) on I.R. manifold, or fuel injection.	2431 (95.7)	1524/1501 (60.0/59.1)
Nissan Sentra SE-R (90-94)	2	2150 * 2204 ** 2258	4 Cyl DOHC	86.0 x 86.0 (3.39x3.39)	1998 (121.9)	Iron	Alum	(I) 34.2/(1.35) (E) 30.2/(1.19)	(2) Auto-type sidedraft w/ 32mm choke(s) on I.R. manifold, or fuel injection.	2431 (95.7)	1524/1501 (60.0/59.1)
Nissan/Datsun HL510 (78-81)	1	1900	4 Cyl SOHC	85.1 x 86.1 (3.35x3.39)	1952 (119.1)	Iron	Alum	(I) 42.1/(1.66) (E) 35.2/(1.39)	(1) 40 DCN, DCNF, IDF w/ 36mm choke(s), (2) Auto-type sidedraft w/ 30mm choke(s) on I.R. manifold.	2388 (94.0)	1478/1448 (58.2/57.0)
Pontiac Fiero GT & Formula (85-88)	2	2500 * 2563 ** 2625	6 Cyl OHV	89.0 x 76.0 (3.50x2.99)	2837	Iron	Iron	(I) 43.7 (E) 36.3	Fuel Injection	2372 (93.4)	1575/1600 (62.0/63.0)
Pontiac Solstice (06-09)	2	2500 * 2563 ** 2625	4 Cyl DOHC	88.0 x 98.0 (3.46x3.86)	2384	Alum	Alum	(I) 32.3/(1.27) (E) 30.3/(1.19)	Fuel Injection	2416 (95.1)	1654/1671 (65.1/65.8)
Porsche Boxster (97-99)	2	2555 * 2619 ** 2683	6 Cyl. DOHC	85.5 x 72.0 (3.37x2.83)	2480	Alum	Alum	(I) 33.3/(1.31) (E) 28.1/(1.11)	Fuel injection	2416 (95.1)	1560/1615 (61.4/63.6)

EP	Wheels (max)	Trans. Speeds (max)	Brakes Std. mm/(in.)	Brakes Alt.: mm/(in.)	Fuel Injected Equipped Throttle Body Inside Diameter (mm) +/- .25mm	Notes:
Nissan/Datsun 240Z	15 x 7	4	(F) 272/(10.7) Disc (R) 229/(9.0) Drum	(F) 252/(9.92) Vented Disc (R) 258 or 269 Solid Disc Discs and calipers from 280-ZX.	NA	Comp Ratio limited to 12.0:1. Valve Lift (measured as raced - w/ lash): .500" max. Level 1 dry sump, connecting rods, intake manifold porting, crankshaft, rocker arms and cam followers.
Nissan/Datsun 260Z	15 x 7	4	(F) 272/(10.7) Disc (R) 229/(9.0) Drum	(F) 252/(9.92) Vented Disc (R) 258 or 269 Solid Disc Discs and calipers from 280-ZX.	NA	Comp Ratio limited to 12.0:1. Valve Lift (measured as raced - w/ lash): .500" max. Level 1 dry sump, connecting rods, intake manifold porting, crankshaft, rocker arms and cam followers.
Nissan 280Z	15 x 7	5	(F) 272/(10.7) Disc (R) 229/(9.0) Drum	(F) 252 vented disc (R)258 or 269 solid discs and calipers from 280ZX	NA	Comp. Ratio limited to 12.0:1. Valve lift measured as raced with lash limited to .500". Level 1 dry sump, connecting rods, intake manifold porting, crankshaft, rocker arms and cam followers permitted.
<i>Nissan 280ZX (79-83)</i>	<i>15 x 7</i>	<i>5</i>	<i>(F) 252/(9.92) Disc (R) 269/(10.6) Disc</i>		<i>stock Throttle Body ID</i>	<i>Comp. Ratio limited to 12.0:1. Valve lift limited to .500".</i>
Nissan/Datsun SRL 311U Roadster	15 x 7	5	(F) 285/(11.2) Disc (R) 229/(9.0) Drum	(F) 279 x 26 Vented Disc Front calipers from: 240, 260, or 280Z (1970-78) w/spacers Rotor origin is unrestricted	NA	
Nissan 200-SX / S10 (77-79)	15 x 7	5	(F) 244/(9.6) Disc (R) 229x40/(9.0x1.6) Drum		stock throttle body I.D.	
Nissan 200-SX SE-R	15 x 7	5	(F) 249/(9.8) Disc (R) 234/(9.2) Disc		stock throttle body I.D.	Comp Ratio limited to 12.0:1. Valve lift (measured as raced - w/ lash): .500" max. Level 1 dry sump, connecting rods, intake manifold porting, crankshaft, rocker arms and cam followers.
Nissan 240-SX / S13	15 x 7	5	(F) 252/(9.9) Disc (R) 258/(10.2) Disc	(F) Stock 257 x 22 (10.1 x .87) ABS discs w/ 4-lug hub & ABS front calipers.	stock throttle body I.D.	Comp Ratio limited to 12.0:1. Valve lift (measured as raced - w/ lash): .500" max. Level 1 dry sump, connecting rods, intake manifold porting, crankshaft, rocker arms and cam followers.
Nissan 240-SX S13/S14 (91-98)	15 x 7	5	(F) 257/(10.1) Vented Disc (R) 258/(10.2) Solid Disc		stock throttle body I.D.	Comp. Ratio limited to 12.0:1. Valve lift limited to .500".
Nissan NX-2000	15 x 7	5	(F) 257/(10.12) Disc (R) 234/(9.2) Disc		stock throttle body I.D.	Comp Ratio limited to 12.0:1. Valve lift (measured as raced - w/ lash): .500" max. Level 1 dry sump, connecting rods, intake manifold porting, crankshaft, rocker arms and cam followers.
Nissan Sentra SE-R (90-94)	15 x 7	5	(F) 249/(9.8) Disc (R) 234/(9.2) Disc		stock throttle body I.D.	Comp Ratio limited to 12.0:1. Valve lift (measured as raced - w/ lash): .500" max. RLevel 1 dry sump, connecting rods, intake manifold porting, crankshaft, rocker arms and cam followers.
Nissan/Datsun HL510 (78-81)	15 x 7	5	(F) 244/(9.6) Disc (R) 229x40/ (9.0x1.6) Drum	(F) 251 (9.9) Vented Discs Discs and calipers from 280-ZX.	stock throttle body I.D.	
Pontiac Fiero GT & Formula (85-88)	15 x 7	4 or 5	(F) 260/(10.2) or 247 Disc (R) 260/(10.2) or 247 disc		stock throttle body I.D.	Comp. ratio limited to 12.0:1. Valve lift limited to .500".
Pontiac Solsitce (06-09)	18 x 8	5	(F) 296/(11.7) Vented Disc (R) 278/(10.9) Solid Disc		stock throttle body I.D.	Comp Ratio limited to 12.0:1. Valve lift limited to .500".
Porsche Boxster (97-99)	17 x 8.5	5	(F) 298/(11.7) Vented (R) 290/(11.4) Vented		stock throttle body I.D.	Comp. Ratio limited to 12.0:1. Valve lift limited to .500".

GCR - 501

9.1.5. EP Spec Lines

EP	Prep. Level	Weight (lbs)	Engine Type	Bore x Stroke mm/(in.)	Displ. cc/ (ci) (nominal)	Block Mat'l	Head/PN & Mat'l	Valves IN & EX mm/ (in.)	Carburetor. No. & Type	Wheel-base mm/(in.)	Track (F/R) mm/(in.)
Porsche Boxster (00-04)	2	2700 *2768 **2835	6 Cyl. DOHC	85.5 x 78.0 (3.37x3.07)	2687 (163.9)	Alum	Alum	(I) 33.3/(1.31) (E) 28.1/(1.11)	Fuel injection	2416 (95.1)	1560/1615 (61.4/63.6)
Porsche 911 S (67-68)	2	1800 * 1845 ** 1890	Opposed 6 Cyl SOHC	80.0 x 66.0 (3.15x2.60)	1991 (121.5)	Alloy	Alloy	(I) 41.9/(1.65) (E) 38.1/(1.50)	(2) IDA-3C carburetors. 36mm choke(s) max.	(87.05)	(57.9/56.3)
Porsche 911 2.2L	1	2050	Oppos'd 6 Cyl SOHC	84.0 x 66.0 (3.31x2.60)	2195 (133.9)	Alloy	Alloy	(I) 46.1/(1.81) (E) 40.1/(1.58)	(2) IDA-3C carburetors. 34mm choke(s) max.	2271 (89.4)	1478/1458 (58.2/57.4)
Porsche 914-4	1	1820	4 Cyl OHV	94.0x70.9 (3.70x2.79)	1968 (120.1)	Alum	Alum	(I) 41.9/(1.65) (E) 36.1/(1.42)	(2) Solex 40 PII-4, (2) weber 40 IDF, (2) Del'Orto 40mm, 38mm choke(s) max, or fuel injection.	2451 (96.5)	1448/1478 (57.0/58.2)
Porsche 914-6 2.0L	1	1900	Oppos'd 6 Cyl SOHC	80.0 x 66.0 (3.15x2.60)	1991 (121.5)	Alloy	Alloy	(I) 41.9/(1.65) (E) 38.1/(1.50)	(2) IDA-3C carburetors. 38mm choke(s) max.	2451 (96.5)	1453/1499 (57.2/59.0)
Porsche 924	1	2050	4 Cyl OHC	86.5 x 84.4 (3.41x3.32)	1984 (121.0)	Iron	Alum	(I) 40.0/(1.57) (E) 33.0/(1.30)	(2) Auto-type w/ 30mm chokes(s)	2400 (94.5)	1420/1392 (55.9/54.8)
Porsche 944/ 924S 2.5L (2V) (83-88)	2	2250 * 2306 ** 2363	4 Cyl SOHC	100.0x78.9 (3.94x3.11)	2479 (151.2)	Alum	Alum	(I) 45.0/(1.77) (E) 40.0/(1.57)	Fuel injection	2400 (94.5)	1567/1542 (61.7/60.7)
Porsche 944S (87-88)	2	2500 *2563 **2625	4 Cyl DOHC	100.0x78.9 (3.94x3.11)	2479 (151.2)	Iron	Alum	(I) 37.0/(1.46) (E) 33.0/(1.30)	Fuel injection	2400 (94.5)	1567/1542 (61.7/60.7)
Porsche 944S2 (89-91)	2	2675 * 2742 ** 2809	4 Cyl. DOHC	104.0x88.0 (4.09x3.46)	2990 (182.4)	Alum	Alum	(I) 37.0/(1.46) (E) 33.0/(1.30)	Fuel injection	2400 (94.5)	1585/1557 (62.4/61.3)
Porsche 968 (92-95)	2	2675 * 2742 ** 2809	4 Cyl. DOHC	104.0x88.0 (4.09x3.46)	2990 (182.4)	Alum	Alum	(I) 39.0/(1.54) (E) 33.0/(1.30)	Fuel injection	2400 (94.5)	1585/1557 (62.4/61.3)
Saturn Sky (07-09)	2	2500 *2563 **2625	4 Cyl DOHC	88.0 x 98.0 (3.43x3.86)	2384	Alum	Alum	(I) 32.3/(1.27) (E) 30.3/(1.19)	Fuel Injection	2416 (95.1)	1654/1671 (65.1/65.8)
Subaru BRZ (13-20)	2	2400 * 2460 ** 2520	4 Cyl. DOHC	86.0 x 86.0 (3.39x3.39)	1997 (121.9)	Iron	Alum	(I) Stock (E) Stock	Fuel injection	2570 (101.2)	1628/1648 (64.1/64.9)
Toyota Celica GTS (00-05)	2	2100 * 2153 ** 2205	4 Cyl. DOHC	82.0 x 85.0 (3.23x3.35)	1794 (109.5)	Alum	Alum	(I) 33.0/(1.30) (E) 27.9/(1.10)	Fuel injection	2601 (102.4)	1598/1588 (62.9/62.5)
Toyota Celica II 2.4L (81-82) (excl. conv.)	2	2140 * 2194 ** 2247	4 Cyl SOHC	92.0 x 89.0 (3.62x3.50)	2366 (144.3)	Iron	Alum	(I) 45.0 / (1.77) (E) 37.0/(1.46)	Carburetion	2499 (98.4)	1486/1455 (58.5/57.3)
Toyota Celica 2.4L (83-85) (excl. conv.)	2	2140 * 2194 ** 2247	4 Cyl SOHC	92.0 x 89.0 (3.62x3.50)	2366 (144.3)	Iron	Alum	(I) 45.0/(1.77) (E) 37.0/(1.46)	(2) Auto-type sidedraft w/ 36mm choke(s), or fuel injection.	2499 (98.4)	1486/1455 (58.5/57.3)
Toyota Corolla GTS (4AG) (84-89)	1	2060	4 Cyl DOHC	81.0 x 77.0 (3.19x3.03)	1587 (96.8)	Iron	Alum	(I) 30.7/(1.21) (E) 26.0/(1.02)	(1) DCOE w/ 36mm choke(s), (2) Auto-type sidedraft w/ 36mm choke(s) on I.R. manifold, or fuel injection.	2413 (95.0)	1524/1524 (60.0/60.0)

EP	Wheels (max)	Trans. Speeds (max)	Brakes Std. mm/(in.)	Brakes Alt.: mm/(in.)	Fuel Injected Equipped Throttle Body Inside Diameter (mm) +/- .25mm	Notes:
Porsche Boxster (00-04)	17x8.5	5	(F) 298/(11.7) Vented (R) 290/(11.4) Vented		stock throttle body I.D.	Comp. Ratio limited to 12.0:1, Valve lift limited to .500".
Porsche 911 S (67-68)	15 x 7	5	(F) 282/(11.1) Vented Disc (R) 287/(11.3) Solid Disc		NA	Comp. Ratio limited to 12.0:1. Valve lift limited to .500".
Porsche 911 2.2L	15 x 7	4 or 5	(F) 282/(11.1) Disc (R) 290/(11.4) Disc	(F&R) 300 (11.8) Disc	NA	Cylinder barrels of alternate material are permitted.
Porsche 914-4	15 x 7	5	(F) 282/(11.1) Disc (R) 285/(11.2) Disc	Front "M" calipers permitted, 914-6 calipers & discs allowed	NA	Standard intake manifold: Porsche part #021 129 705N. Alternate manifolds with the same length and configuration (4-5 1/4" center line axis) are allowed. (i.e. Pierce manifold part # 99004.822. Top panel may remain in place if securley bolted or pinned. Cylinder barrels of alternate material are permitted.
Porsche 914-6 2.0L	15 x 7	5	(F) 282/(11.1) Disc (R) 287/(11.3) Disc	(F&R) 300/(11.8) Disc	NA	Cylinder barrels of alternate material are permitted.
Porsche 924	15 x 7	5	(F) 257/(10.1) Disc (R) 231/(9.1) Drum	(F) 282/(11.1) Disc (R) 290/(11.4) Disc	NA	Can use the stock fuel tank if stock rear bumper and bumper support structure retained.
Porsche 944/ 924S 2.5L (2V) (83-88)	15 x 7	5	Factory spec @ all 4 wheels.		stock throttle body I.D.	Comp. Ratio limited to 12.0:1, Valve lift limited to .500". Dry sump is allowed. Can use the stock fuel tank if stock rear bumper and bumper support structure retained.
Porsche 944S (87-88)	15 x 7	5	(F) 282/(11.1) Vented Disc (R) 289/(11.4) Vented Disc		stock throttle body I.D.	Comp. Ratio limited to 12.0:1, Valve lift limited to .500". Dry sump is allowed. Can use the stock fuel tank if stock rear bumper and bumper support structure retained.
Porsche 944S2 (89-91)	18 x 8 or 17 x 8.5	5	(F) 297/(11.7) Vented (R) 300/(11.8) Vented		60 maximum I.D.	Comp. Ratio limited to 12.0:1, Valve lift limited to .500", Dry sump is allowed. 56mm Flat Plate Intake Restrictor is required. In order to facilitate the installation of the FPR, additional spacers/ plates may be added to convert the mating area of the throttle body and the intake manifold into a flat surface. These pieces must maintain the stock 60mm throttle body bore, the FPR must be a separate piece that can be independently removed and measured, and the total thickness of all pieces (including the FPR) cannot add up to more than 1" in thickness. Can use the stock fuel tank if stock rear bumper and bumper support structure retained.
Porsche 968 (92-95)	18 x 8	6	(F) 298/(11.7) Vented (R) 299/(11.8) Vented			Comp. Ratio limited to 11.0:1, Valve lift limited to .450". Dry sump is allowed.
Saturn Sky (07-09)	18 x 8	5	(F) 296/(11.7) Vented Disc (R) 278/(10.9) Solid Disc		stock throttle body I.D.	Comp Ratio limited to 12.0:1. Valve lift limited to .500".
Subaru BRZ (2013)	18 x 8	6	(F) 295/(11.6) Vented (R) 290/(11.4) Vented			Comp. Ratio limited to 12.5:1, Valve lift limited to 500".
Toyota Celica GTS (00-05)	15x7	6	(F) 272/(10.7) Vented (R) 267/(10.5) Solid			Comp. Ratio limited to 12.0:1, Valve lift limited to .500"
Toyota Celica II 2.4L (81-82) (excl. conv.)	15 x 7	5	Factory spec @ all 4 wheels.		stock throttle body I.D.	Comp. Ratio limited to 10.5:1, Valve lift limited to .450".
Toyota Celica 2.4L (83-85) (excl. conv.)	15 x 7	5	Factory spec @ all 4 wheels.		stock throttle body I.D.	Comp. Ratio limited to 10.5:1, Valve lift limited to .500".
Toyota Corolla GTS (4AG) (84-89)	15 x 7	5	(F) 231/(9.1) Disc (R) 231/(9.1) Disc		NA	Dual Y manifold required w / single DCOE carb., no plenum or balance tubes

GCR - 503

9.1.5. EP Spec Lines

EP	Prep. Level	Weight (lbs)	Engine Type	Bore x Stroke mm/(in.)	Displ. cc/ (ci) (nominal)	Block Mat'l	Head/PN & Mat'l	Valves IN & EX mm/ (in.)	Carburetor. No. & Type	Wheel-base mm/(in.)	Track (F/R) mm/(in.)
Toyota MR-2	1	1950	4 Cyl DOHC	81.0 x 77.0 (3.19x3.03)	1587 (96.8)	Iron	Alum	(I) 30.7/(1.21) (E) 26.0/(1.02)	(1) DCOE w/ 42mm choke(s), (2) Auto-type sidedraft w/ 42mm choke(s) on I.R. manifold, or fuel injection.	2319 (91.3)	1532/1532 (60.3/60.3)
Toyota MR2 ZZW30 (00-05)	2	2075 * 2127 ** 2179	4 Cyl. DOHC	79.0 x 91.5 (3.11x3.60)	1794	Alum	Alum	(I) 32.0/(1.26) (E) 27.5/(1.08)	Fuel injection	2451 (96.5)	1582/1567 (62.3/61.7)
Toyota 86/Scion FR-S (13-20)	2	2400 * 2460 ** 2520	4 Cyl. DOHC	86.0 x 86.0 (3.39x3.39)	1997 (121.9)	Iron	Alum	(I) Stock (E) Stock	Fuel injection	2570 (101.2)	1628/1648 (64.1/64.9)
Toyota Supra (82-85)	2	2500 *2562 **2625	6 Cyl OHV	83.0 x 85.0 (3.27x3.35)	2759			(I) 44.0/(1.73) (E) 36.0/(1.42)		2515 (99.0)	
Triumph GT6	1	1830	6 Cyl OHV	74.7 x 76.0 (2.94x2.99)	1998 (121.9)	Iron	Iron	(I) 36.6/(1.44) (E) 32.0/(1.26)	(2) 1.5" SU or Stromberg	2108 (83.0)	1387/1387 (54.6/54.6)
Triumph TR2, 3, 3A, 4, 4A, TR4, TR4A, IRS	1	1820	4 Cyl OHV	83.1 x 92.0 86.1x92.0 (3.39x3.62)	1998 2138	Iron	Iron	(I) 39.6/(1.56) (E) 33.0/(1.30)	(2) 1.75" SU or Stromberg, (2) 2" SU. (2) Weber DCOE on IR manifold, 34mm chokes required at 1900 lb.	2235 (88.0)	1346/1334 (53.0/52.5) 1387/1361
Triumph TR250, TR6	1	2140	6 Cyl OHV	74.7 x 95.0 (2.94x3.74)	2498 (152.4)	Iron	Iron	(I) 36.6/(1.44) (I) 36.8/(1.45) (E) 32.0/(1.26)	(3) Weber 40 DCOE on I.R. manifold. 30mm choke(s) req'd.	2235 (88.0)	1367/1354 (53.8/53.3)
Triumph TR7	1	2000	4 Cyl SOHC	90.3 x 78.0 (3.56x3.07)	1998 (121.9)	Iron	Alum	(I) 39.6/(1.56) (E) 32.5/(1.28)	(2) Weber 45 DCOE. 32mm choke(s) req'd.	2159 (85.0)	1532/1499 (60.3/59.0)
Triumph TR8 (78-81)	2	2500 * 2563 ** 2625	8 Cyl. OHV	88.9 x 71.1 (3.50x2.80)	3526 (215.2)	Alum	Alum	(I) 39.9/(1.57) (E) 35.6/(1.40)	Zenith Stromberg carbs or fuel injection. <i>Dry sump is allowed.</i>	2159 (85.0)	1532/1499 (60.3/59.0)
VW Corrado (92-95)	2	2450 * 2511 ** 2573	6 Cyl. DOHC	81.0 x 90.3 (3.19x3.56)	2792	Iron	Alum	(I) 39.1/(1.54) (E) 35.6/(1.35)	Fuel injection	2469 (97.2)	1567/1549 (61.7/61.0)
Volkswagen New Beetle (06-11)	2	2400 * 2460 ** 2520	5 Cyl. DOHC	82.5 x 92.8 (3.25x3.65)	2480 (151.3)	Iron	Alum	(I) 32.4/(1.28) (E) 28.0/(1.10)	Fuel Injection	2507 (98.7)	1618/1603 (63.7/63.1)
Volvo P-1800, 1800S, 1800E, 1800ES Sports Coupe	1	1950	4 Cyl OHV	84.2 x 80.0 (3.31x3.15) 88.9 x 80.0 (3.50x3.15)	1780 (108.6) 1982 (120.9)	Iron	Iron	1780: (I) 41.9/(1.65) (E) 35.0/(1.38) 1982: (I) 43.9/(1.73) (E) 39.9/(1.57)	(2) 1.75" SU, (2) 1.75" Stromberg CDSE, (2) 1.75" SU HS6, (2) 2.0" SU, or fuel injection.	2451 (96.5)	1407/1407 (55.4/55.4)

* Alternate transmission w/ stock type syncros

** Alternate transmission w/ non-stock type syncros (i.e. dog-ring)

EP	Wheels (max)	Trans. Speeds (max)	Brakes Std. mm/(in.)	Brakes Alt.: mm/(in.)	Fuel Injected Equipped Throttle Body Inside Diameter (mm) +/- .25mm	Notes:
Toyota MR-2	15 x 7	5	(F) 244/(9.6) Disc (R) 239/(9.4) Disc	(F) 257/(10.1) Disc (R) 262/(10.3) Disc	stock throttle body I.D.	Trunk mounted fuel cell allowed. Can use stock fuel tank. "Dual Y" manifold required w / single DCOE carb., no plenum or balance tubes. Panel between trunk and engine compartment may be modified for the purposes of ducting air to the carbs.
Toyota MR2 ZZW30 (00-05)	15 x 7	5	(F) 253/(10.0) Vented (R) 262/(10.3) Solid		stock throttle body I.D.	Comp. Ratio limited to 12.0:1, Valve lift limited to .500".
Toyota 86/Scion FR-S (13-20)	18 x 8	6	(F) 295/(11.6) Vented (R) 290/(11.4) Vented			Comp. Ratio limited to 12.5:1, Valve lift limited to 500".
Toyota Supra (82-85)	15 x 7	5	(F) Disc (R) Disc	(F) 256/(10.1) Disc (R) 264/(10.4) Disc	stock throttle body I.D.	Comp. ratio limited to 12.0:1. Valve lift limited to .500".
Triumph GT6	13 x 7	4	(F) 246/(9.7) Disc (R) 203/(8.0) Drum		NA	(2) 1.75" carburetors @ 1970 lbs. Laycock overdrive, May use 5 speed gearbox w/o overdrive. Three (3) Weber 40mm DCOE w/28mm venturi on individual runner manifold @ 2020 lb.
Triumph TR2, 3, 3A, 4, 4A, TR4,TR4A, IRS	15 x 7	4	(F) 279/(11.0) Disc (R) 229/(9.0) Drum	(F) Calipers & discs from TR-6 (std. or alt) (R) 254/(10.0) Drum Drum may be 9" or 10" and of alfin or steel.	NA	Front apron assembly may be made of alternate material. Laycock overdrive, may use 5 speed gearbox without overdrive.
Triumph TR250, TR6	15 x 7	4	(F) 279/(11.0) Disc (R) 229/(9.0) Drum	(F) 284/(11.2) Vented Disc (R) 224/(8.8) Drum (R) 229 Alfin Drum (R) 273/(10.8) Disc Disc: # C32764 Caliper: # 60-12796 LH # 60-12797 RH	NA	Laycock overdrive, May use 5 speed gearbox w/o overdrive
Triumph TR7	15 x 7	4 or 5	(F) 248/(9.8) Disc (R) 203/(8.0) Drum	(F) 267/(10.5) Vented Disc (R) 229/(9.0) Drum (R) 267x20/(10.5x.78) Disc Discs from TR-8, JRT brake kit # STN 0068 and Rimmer Bros. brake kit #GRID007446	NA	Rear Spoiler: # V-775, Alt. Manifold: # V-740
Triumph TR8 (78-81)	15 x 7	5	(F) 249/(9.8) Solid (R) 229/(9.0) Drum	(F) 10.5 vented (R) 9.0 drum or 10.5 x .78 disc JRT brake kit # STN 0068 and Rimmer Bros. brake kit #GRID007446 permitted.		Comp. Ratio limited to 12.0:1, Valve lift limited to .500". Alternate front hubs are allowed provided they are of the same external dimensions as stock and weigh no less than the stock hubs.
VW Corrado (92-95)	15 x 7	5	(F) 279/(11.0x.87) Vented (R) 226/(8.9x.39) Solid			Comp. Ratio limited to 12.0:1, Valve lift limited to .500"
Volkswagen New Beetle (06-11)	17 x 8	5	(F) 280/(11.0) Disc (R) 232/(9.10) Disc		stock throttle body ID	Comp. Ratio limited to 12.0:1. Valve lift limited to .500".
Volvo P-1800, 1800S, 1800E, 1800ES Sports Coupe	15 x 7	4 or 5	(F) 279/(11.0) Disc (R) 229/(9.0) Drum	(F) 272/(10.7) Disc (R) 295/(11.6) Disc	stock throttle body I.D.	Bosch Fuel Injection

FP	Prep. Level	Weight (lbs)	Engine Type	Bore x Stroke mm/(in.)	Displ. cc/(ci) (nominal)	Block Mat'l	Head/PN & Mat'l	Valves IN & EX mm/(in.)	Carburetor. No. & Type	Wheel-base mm/(in.)	Track (F/R) mm/(in.)
Acura Integra 1600 (86-89)	2	1950 * 1999 ** 2048	4 Cyl DOHC	75.0 x 90.0 (2.95x3.54)	1590	Alum	Alum	(I) 30.0/(1.18) (E) 27.0/(1.06)	Fuel injection	2251 (88.6)	1489/1504 (58.6/59.2)
Acura Integra (90-93)	2	2235 * 2291 ** 2347	4 Cyl DOHC	81.0 x 89.0 (3.19x3.50)	1835	Alum	Alum	(I) 31.0/(1.22) (E) 28.0/(1.10)	(2) Auto-type side draft w/ 32mm choke(s) on I.R. manifold, or fuel injection	2550 (100.4)	1582/1582 (62.3/62.3)
Acura Integra LS (94-01)	2	2235 * 2291 ** 2347	4 Cyl DOHC	81.0 x 89.0 (3.19x3.50)	1835	Alum	Alum	(I) 31.0/(1.22) (E) 28.0/(1.10)	Fuel injection	2570 (101.2)	1582/1577 (62.3/62.1)
Acura Integra GSR (92-93)	2	2325 * 2383 ** 2441	4 Cyl. DOHC	81.0 x 84.0 (3.19x3.31)	1678	Alum	Alum	(I) 33.0/(1.30) (E) 28.0/(1.10)	Fuel injection Throttle Bore 58mm	2550 (100.4)	1582/1582 (62.3/62.3)
Alfa Romeo Alfetta GT & Alfetta Sedan (75-79)	2	GT: 2365 * 2424 ** 2483 Sedan: 2465 * 2527 ** 2588	4 Cyl DOHC	84.0 x 88.5 (3.31x3.48)	1961	Alum	Alum	(I) 44.2/(1.75) (E) 40.2/(1.58)	Fuel injection, 34mm restrictor required between air filter and butterfly.	GT: 2413 (95.0) Sedan: 2510 (98.8)	1445/1440 (56.9/56.7)
Alfa Romeo Giulia Spider Veloce	1	1850	4 Cyl DOHC	75.2 x 79.1 (2.96x3.11)	1570 (25.12)	Alum	Alum	(I) 39.7/(1.56) (E) 35.8/(1.41)	(2) 40 DCOE or (2) auto-type sidedraft on IR manifold.	2250 (88.6)	1412/1387 (55.6/54.6)
Alfa Romeo Giulia Sprint/Spider	1	1918	4 Cyl DOHC	75.2 x 79.1 (2.96x3.11)	1570 (25.12)	Alum	Alum	(I) 39.7/(1.56) (E) 35.8/(1.41)	(1) Solex 32 PAIA, (1) 36 DCD Weber	Spider: 2250 (88.6) Sprint: 2380 (93.7)	1412/1387 (55.6/54.6)
Alfa Romeo GTV 1750 / Spider 1750 / Berlina 1750 (67-72)	2	GTV / Berlina: 1865 * 1912 ** 1958 Spider: 1950 * 1999 ** 2048	4 Cyl DOHC	80.0 x 88.4 (3.15x3.48)	1779	Alum	Alum	(I) 41.1/(1.62) (E) 37.1/(1.46)	Fuel injection, 34mm restrictor required between air filter and butterfly.	GTV: 2350 (92.5) Spider: 2250 (88.6) Berlina: 2350 (92.5)	GTV: 1415/1377 (55.7/54.2) Spider: 1430/1377 (56.3/54.2) Berlina: 1415/1377 (55.7/54.2)
Alfa Romeo GTV & Berlina (72-74)	2	2165 * 2219 ** 2273	4 Cyl DOHC	84.0 x 88.5 (3.31x3.48)	1961	Alum	Alum	(I) 44.2/(1.74) (E) 40.2/(1.58)	Fuel injection, 34mm restrictor required between air filter and butterfly.	GTV: 2350 (92.5) Berlina: 2350 (92.5)	GTV: 1415/1377 (55.7/54.2) Berlina: (52.1/50.2)
Alfa Romeo Spider (72-86)	2	2265 * 2322 ** 2378	4 Cyl DOHC	84.0 x 88.5 (3.31x3.48)	1961	Alum	Alum	(I) 44.2/(1.74) (E) 40.2/(1.58)	Fuel injection, 34mm restrictor required between air filter and butterfly. (72-80) w/ Spica, (81-86) w/ Bosch	2250 (88.6)	1430/1377 (56.3/54.2)
Austin-Healey Sprite Mk. I, II, III, IV MG Midget Mk I, II, III, IV & 1500	1	1275 @ 1580 1500 @ 1670	4 Cyl OHV	68.1 x 78.4 (2.68x3.09) 71.1 x 84.3 (2.90x3.44)	1275 (77.78) 1491 (90.95)	Iron	Iron	1275cc: (I) 32.1/(1.26) (E) 28.4/(1.12) 1500cc: (I) 35.3/(1.44) (E) 28.7/(1.17)	(2) 1.25" SU, (2) 1.5" SU CD4 (1275 only), (1) 1.5" Zenith, (1) 1.5" Stromberg SD, (1) 1.5" SU, maximum spacer block (isolator) length 1.25". (1) 1.75" SU (1500 only)	2032 (80.0)	1275/1237 (50.2/48.7)

FP	Wheels (max)	Trans. Speeds (max)	Brakes Std. mm/(in.)	Brakes Alt.: mm/(in.)	Fuel Injected Equipped Throttle Body Inside Diameter (mm) +/- .25mm	Notes:
Acura Integra 1600 (86-89)	15 x 7	5	(F) 241/(9.5) vented disc (R) 239/(9.4) solid disc		55	Comp. Ratio limited to 12.0:1 Valve lift limited to .450".
Acura Integra (90-93)	15 x 7	5	(F) 262/(10.3) vented disc (R) 239/(9.4) solid disc		58	Comp. Ratio limited to 11.0:1 Valve lift limited to .450".
Acura Integra LS (94-01)	15 x 7	5	(F) 262/(10.3) vented disc (R) 239/(9.4) solid disc		60	Comp. Ratio limited to 11.0:1 Valve lift limited to .450".
Acura Integra GSR (92-93)	15 x 7	5	(F) 262x21/(10.3) vented (R) 239x10/(9.4) solid			Comp. Ratio limited to 11.0:1, Valve lift limited to .450".
Alfa Romeo Alfetta GT & Alfetta Sedan (75-79)	15 x 7	5	GT Factory spec @ all 4 wheels Sedan: (F) 269/(10.6) (R) 267/(10.5)		stock throttle body I.D.	Comp. Ratio limited to 10.5:1 Valve lift limited to .450".
Alfa Romeo Giulia Spider Veloce	15 x 7	5	(F) 269/(10.6) Disc (R) 267/(10.5) Drum		NA	
Alfa Romeo Giulia Sprint / Spider	15 x 7	5	(F) 269/(10.6) Disc (R) 267/(10.5) Drum	(F) 10.5 Drum (3 shoe)	NA	
Alfa Romeo GTV 1750 / Spider 1750 / Berlina 1750 (67-72)	15 x 7	5	Factory spec @ all 4 wheels		stock throttle body I.D.	Comp. Ratio limited to 10.5:1 Valve lift limited to .450".
Alfa Romeo GTV & Berlina (72-74)	15 x 7	5	Factory spec @ all 4 wheels		NA	Comp. Ratio limited to 10.5:1 Valve lift limited to .450".
Alfa Romeo Spider (72-86)	15 x 7	5	Factory spec @ all 4 wheels		stock throttle body I.D.	Comp. Ratio limited to 10.5:1 Valve lift limited to .450".
Austin-Healey Sprite Mk. I, II, III, IV MG Midget Mk I, II, III, IV & 1500	13 x 6	4	(F) 203/(8.0) Disc (R) 172/(6.8) Drum	(F) 231.6 (9.12) Disc	NA	Alternate intake manifold for 1275 (#NPN 500), 9.125 Disc (#208715), Calipers (#27H-4651), Battery tray may be removed, Parts may not be interchanged between engine units. Mk.I Body modification: Behind driver's seat rear deck only, width of shoulder or seat, depth 6" max. Sprite Mk I only may replace exterior rear body work, aft of the cockpit and rearmost door opening, with stock appearing components of an alternate material.

FP	Prep. Level	Weight (lbs)	Engine Type	Bore x Stroke mm/(in.)	Displ. cc/ (ci) (nominal)	Block Mat'l	Head/PN & Mat'l	Valves IN & EX mm/ (in.)	Carburetor. No. & Type	Wheel-base mm/ (in.)	Track (F/R) mm/(in.)
BMW Z3 1.9L	2	2400 * 2460 ** 2520	4 Cyl DOHC	85.1 x 83.6 (3.35x3.29)	1895 (115.6)	Iron	Alum	(I) 33.0/(1.30) (E) 30.5/(1.20)	(2) Auto-type sidedrafts w/ 30mm choke(s), or fuel injection.	2446 (96.3)	1481/1565 (58.3/61.6)
BMW 320i/is (E21) (77-79)	2	2110 * 2163 ** 2216	4 Cyl SOHC	89.0 x 80.0 (3.50x3.15)	1990	Iron	Alum	(I) 46.0/(1.81) (E) 38.0/(1.50)	(1) 40 DCNF w/ 32mm chokes, or fuel injection.	2563 (100.9)	1481/1494 (58.3/58.8)
BMW 320i/is (E21) (80-83)	2	2060 * 2112 ** 2163	4 Cyl SOHC	89.0 x 71.0 (3.50x2.80)	1767	Iron	Alum	(I) 44.0/(1.73) (E) 38.0/(1.50)	(1) 40 DCNF w/ 32mm chokes, or fuel injection	2563 (100.9)	1481/1494 (58.3/58.8)
BMW 318i/is (E30) (84-85)	2	2060 * 2112 ** 2163	4 Cyl SOHC	89.0 x 71.0 (3.50x2.80)	1767	Iron	Alum	(I) 44.0/(1.73) (E) 38.0/(1.50)	(1) 40 DCNF w/ 32mm chokes, or fuel injection.	2570 (101.2)	1499/1506 (59.0/59.3)
BMW 318i/is (1991)	2	2350 * 2409 ** 2468	4 Cyl DOHC	84.1 x 81.0 (3.31x3.19)	1796	Iron	Alum	(I) 33.0/(1.30) (E) 30.5/(1.20)	Fuel injection	2570 (101.2)	1499/1506 (59.0/59.9)
BMW 318i/is E36 (92-95)	2	2400 * 2460 ** 2520	4 Cyl DOHC	84.1 x 81.0 (3.31x3.19)	1796	Iron	Alum	(I) 33.0/(1.30) (E) 30.5/(1.20)	Fuel injection	2700 (106.3)	1513/1518 (59.6/59.8)
BMW 325e/es (84-87)	2	2555 * 2619 ** 2683	6 Cyl. OHC	85.1 x 81.0 (3.35x3.19)	2693	Iron	Alum	(I) 38.2/(1.50) (E) 34.0/(1.34)	Fuel injection Throttle Bore 2.17"	2565 (101.0)	1514/1521 (59.6/59.9)
BMW 1600	1	1891	4 Cyl SOHC	84.0 x 71.0 (3.31x2.80)	1537	Iron	Alum	(I) 42.0/(1.65) (E) 35.0/(1.38)	(1) 40 DCN, DCNF, IDF w/ 36mm choke(s), (2) 40 DCOE side draft w/ 36mm choke(s).	2499 (98.4)	1455/1455 (57.3/57.3)
BMW 2002/tii	2	2075 * 2127 ** 2179	4 Cyl SOHC	89.0 x 80.0 (3.50x3.15)	1990 (121.39)	Iron	Alum	(I) 46.0/(1.81) (E) 38.0/(1.50)	Fuel injection, or (1) 40 DCNF w/ 32mm choke(s).	2499 (98.4)	1430/1430 (56.3/56.3)
Chevrolet Chevette 1.6	1	1853	4 Cyl SOHC	82.0 x 75.7 (3.23x2.98)	1598	Iron	Iron	(I) 39.1/(1.54) (E) 32.1/(1.26)	(2) auto type side draft w/ 36mm choke(s) on I.R. manifold.	2395 (94.3)	1415/1416 (55.7/55.8)
Chevrolet Sonic (12-16)	2	2200 * 2255 ** 2310	4 Cyl. DOHC	80.5 x 88.2 (3.17x3.47)	1796	Iron	Alum	(I) 31.3/(1.23) (E) 27.6/(1.09)	Fuel injection	2525 (99.4)	1618/1618 (63.7/63.7)
Dodge Daytona/ Chrysler Laser 2.2 (84-85)	2	2100 * 2153 ** 2205	4 Cyl SOHC	87.5 x 92.0 (3.44x3.62)	2213	Iron	Alum	(I) 40.6/(1.60) (E) 35.4/(1.39)	Fuel Injection	2451 (96.5)	1570/1560 (61.8/61.4)
Dodge Neon (95-99)	2	2250 * 2306 ** 2363	4 Cyl DOHC	87.5 x 83.0 (3.44x3.27)	1995	Iron	Alum	(I) 34.8/(1.37) (E) 30.5/(1.20)	Fuel injection	2642 (104.0)	1562/1562 (61.5/61.5)
Dodge Neon (95-99)	2	2200 * 2255 ** 2310	4 Cyl SOHC	87.5 x 83.0 (3.44x3.27)	1995	Iron	Alum	(I) 33.0/(1.30) (E) 28.0/(1.10)	Fuel injection	2462 (104.0)	1562/1562 (61.5/61.5)
Dodge Neon ACR (01-02)	2	2275 * 2332 ** 2389	4 Cyl SOHC	87.5 x 83.0 (3.44x3.27)	1995	Iron	Alum	(I) 33.3/(1.31) (E) 28.7/(1.13)	Fuel Injection	2667 (105.0)	1582/1585 (62.3/62.4)
Dodge Shelby Charger / Omni 024 (83-84)	2	2100 * 2153 ** 2205	4 Cyl SOHC	87.5 x 92.0 (3.44x3.62)	2213	Iron	Alum	(I) 40.6/(1.60) (E) 35.4/(1.39)	Carburetion of Fuel injection	2451 (96.5)	1560/1549 (61.4/61.0)

FP	Wheels (max)	Trans. Speeds (max)	Brakes Std. mm/(in.)	Brakes Alt.: mm/(in.)	Fuel Injected Equipped Throttle Body Inside Diameter (mm) +/- .25mm	Notes:
BMW Z3 1.9L	15 x 7	5	(F) 286/(11.3) Disc (R) 280/(11.0) Disc		stock throttle body I.D.	Comp Ratio limited to 11.0:1. Valve lift (measured as raced - w/ lash): .500" max.
BMW 320i/is (E21) (77-79)	15 x 7	4	(F) 254/(10.0) Disc (R) 250/(9.8) Drum		NA	Comp. Ratio limited to 12.0:1, Valve lift limited to .450". Trunk mounted fuel cell allowed. Factory 2bbl intake manifold from BMW 2002 is permitted.
BMW 320i/is (E21) (80-83)	15 x 7	5	(F) 254/(10.0) Disc (R) 250/(9.8) Drum		NA	Comp. Ratio limited to 12.0:1, Valve lift limited to .450". Trunk mounted fuel cell allowed. Factory 2bbl intake manifold from BMW 2002 is permitted.
BMW 318i/is (E30) (84-85)	15 x 7	5	(F) 261/(10.3) Disc (R) 229/(9.0) Drum		NA	Comp. Ratio limited to 12.0:1, Valve lift limited to .450". Trunk mounted fuel cell allowed. Factory 2bbl intake manifold from BMW 2002 is permitted.
BMW 318i/is (1991)	15 x 7	5	Factory spec @ all 4 wheels.		stock throttle body I.D.	Comp. Ratio limited to 11.0:1, Valve lift limited to .500". Trunk mounted fuel cell allowed.
BMW 318i/is E36 (92-95)	15 x 7	5	(F) 286/(11.3) Vented Disc (R) 272/(10.7) Solid Disc		stock throttle body I.D.	Comp. Ratio limited to 11.0:1, Valve lift limited to .500". Trunk mounted fuel cell allowed.
BMW 325e/es (84-87)	15 x 7	5	(F) 287/(11.3x.91) vented (R) 279/(11.0) solid			Comp. Ratio limited to 11.0:1, Valve lift limited to .450", Trunk mounted fuel cell allowed.
BMW 1600	15 x 7	4	(F) 257/(10.1) Disc (R) 231/(9.1 x 1.6) Drum		NA	Factory 2bbl intake manifold from 2002 is permitted.
BMW 2002/tii	15 x 7	4	Factory spec @ all 4 wheels		stock throttle body I.D.	Comp. Ratio limited to 12.0:1, Valve lift limited to .450". Orientation of the alternate carburetor is unrestricted. The alternate carb adapter may not be thicker than 1.25". The adapter may have a bore larger than the throttle bore of the approved alternate carburetor.
Chevrolet Chevette 1.6	15 x 7	4 or 5	(F) 246/(9.7) Disc (R) 200/(7.9) Drum		NA	
Chevrolet Sonic (12-16)	15 x 7	5	(F) 274/(10.8) solid (R) 229/(9.0) drum			Comp. Ratio limited to 11.0:1, Valve lift limited to .450"
Dodge Daytona/ Chrysler Laser 2.2 (84-85)	15 x 7	5	(F) 256/(10.1) Vented Disc (R) 200/(7.9) Drum		Stock Throttle Body I.D.	Comp. Ratio limited to 11.0:1. Valve lift limited to .450".
Dodge Neon (95-99)	15 x 7	5	(F) 257/(10.1) Vented Disc (R) 257/(10.1) Solid Disc		stock throttle body I.D.	Comp. Ratio limited to 11.0:1, Valve lift limited to .450".
Dodge Neon (95-99)	15 x 7	5	(F) 257/(10.1) Vented Disc (R) 257/(10.1) Solid Disc		stock throttle body I.D.	Comp. Ratio limited to 11.0:1, Valve lift limited to .450".
Dodge Neon ACR (01-02)	15 x 7	5	(F) 257/(10.1) Vented Disc (R) 257/(10.1) Solid Disc		stock throttle body I.D.	Comp. Ratio limited to 11.0:1, Valve lift limited to .450".
Dodge Shelby Charger / Omni 024 (83-84)	15 x 7	5	(F) 256/(10.1) Vented Disc (R) 200/(7.9) Drum		stock throttle body I.D.	Comp. Ratio limited to 10.5:1, Valve lift limited to .450".

FP	Prep. Level	Weight (lbs)	Engine Type	Bore x Stroke mm/(in.)	Displ. cc/ (ci) (nominal)	Block Mat'l	Head/PN & Mat'l	Valves IN & EX mm/ (in.)	Carburetor. No. & Type	Wheel-base mm/ (in.)	Track (F/R) mm/(in.)
Elva Courier Mk. I, II & III 1622 & 1798	1	1622cc: 1800 1798cc: 1875	4 Cyl OHV	76.2 x 88.9 (3.0x3.50) 80.3 x 88.9 (3.16x3.50)	1622 1798	Iron	Iron	(I) 39.9/(1.57) (E) 34.3/(1.35)	1622cc: (2) 1.75" SU or Stromberg 1798cc: (2) 1.50" SU or Stromberg	2286 (90.0)	1359/1387 (53.5/54.6)
Elva Courier Mk. III, IV 1800 & Mk. IV R & C	1	1875	4 Cyl OHV	80.3 x 88.9 (3.16x3.50)	1798	Iron	Iron	(I) 39.9/(1.57) (E) 34.3/(1.35)	(2) 1.50" SU or Stromberg	2286 (90.0)	1359/1387 (53.5/54.6)
Fiat 124 Sport Spider (-1977)	1	1875	4 Cyl DOHC	80.0 x 80.0 (3.15x3.15) (3.15x3.15) 3.31 x 3.12	1608 1592 1756	Iron	Alum	(I) 41.6/(1.64) (E) 35.5/(1.40)	(1) 34 DFH1, 26/34 DHS1, 28/36 DHS2, 34 DMSA1/100, (1) 32 ADFA2/100 ATL, (1) 34 DMS201, 36 DCNF w/ 30mm choke(s)), (1) 40 DCNF w/ 30mm choke(s).	2421 (95.3) 2281 89.8	1453/1422 (57.2/56.0)
Fiat 124 Spider 2000 (79-83)	2	2265 * 2322 ** 2378	4 Cyl. DOHC	84.1 x 89.9 (3.31x3.54)	1995	Iron	Alum	(I) 41.6/(1.64) (E) 35.5/(1.40)	Weber 28/32 ADHA or fuel injection	2281 (89.8)	1440/1407 (56.7/55.4)
Fiat X-1/9 & Bertone 1300	1	1665	4 Cyl SOHC	86.0 x 55.5 (3.39x2.19)	1290	Iron	Alum	(I) 35.5/(1.40) (E) 30.5/(1.20) (E) 1.23	(1) Weber 32 DMTR or DATRA/100 w/ 32mm primary and secondary throttle bores, (1) 40 DCNF w/ 32mm choke(s)	2202 (86.7)	1430/1438 (56.3/56.6)
Fiat X-1/9 & Bertone	1	1765	4 Cyl SOHC	86.4 x 64.0 (3.40x2.52)	1498	Iron	Alum	(I) 35.5/(1.40) (E) 33.0/(1.30)	(1) 34 DMTR w/ 34mm primary & secondary throttle bores, (1) 36 DCNF w/34mm choke(s) and manifold adapter, or fuel injection, (1) 40 DCNF w/ 34mm choke(s).	2202 (86.7)	1430/1438 (56.3/56.6)
Ford/Mercury Capri 2000 (71-74)	1	2000	4 Cyl SOHC	91.0 x 77.0 (3.58x3.03)	1993	Iron	Iron	(I) 42.2/(1.66) (E) 36.2/(1.43)	(1) 40 DCN, DCNF, IDF w/ 34mm choke(s), (2) Automotive-type side-draft w/34mm choke(s) on I.R. manifold.	2560 (100.8)	1458/1433 (57.4/56.4)
Ford Escort ZX-2 (98-03)	2	2275 *2332 **2389	4 cyl. DOHC	84.0 x 88.0 (3.41x3.46)	1989	Alum	Alum	(I) 32.0/(1.26) (E) 28.0/(1.10)	Fuel Injection	2499 (98.4)	1542/1542 (60.7/60.7)
Ford Fiesta (78-80)	1	1660	4 Cyl OHV	81.0 x 78.0 (3.19x3.07)	1598	Iron	Iron	(I) 35.5/(1.40) (E) 33.8/(1.33)	(1) 40 DCN, DCNF, IDF, (2) auto type side draft on I.R. manifold. 34mm choke(s) required.	2286 (90.0)	1435/1422 (56.5/56.0)
Ford Focus SVT (02-04)	2	2375 *2434 **2494	4 cyl. DOHC	84.0 x 88.0 (3.41x3.46)	1989	Alum	Alum	(I) 33.5/(1.32) (E) 28.0/(1.10)	Fuel Injection	2616 (103.0)	1603/1595 (63.1/62.8)
Ford Mustang 2.3 (79-93)	2	2200 * 2255 ** 2310	4 Cyl SOHC	96.0 x 79.4 (3.78x3.13)	2301	Iron	Iron	(I) 44.1/(1.74) (E) 38.1/(1.50)	(1) Holley-Weber 5200 or fuel injection.	2550 (100.4)	1544/1554 (60.8/61.2)
Ford Pinto	1	1980	4 Cyl SOHC	91.0 x 77.0 (3.58x3.03)	1993	Iron	Iron	(I) 42.2/(1.66) (E) 36.2/(1.43)	(1) 40 DCN, DCNF, IDF w/ 34mm choke(s), (2) Automotive-type side-draft w/30mm choke(s) on I.R. manifold.	2388 (94.0)	1488/1509 (58.6/59.4)
Honda Civic 1.5 (88-91)	1	1950	4 Cyl SOHC	75.0 x 84.5 (2.95X3.33)	1493	Alum	Alum	(I) 29.0/(1.14) (E) 25.0/(0.98)	(2) auto type side draft w/30mm venturi on I.R. manifold, or fuel injection.	2499 (98.4)	1557/1567 (61.3/61.7)
Honda Civic EX (90-91)	2	1900 * 1948 ** 1995	4 Cyl. DOHC	75.0 x 90.0 (2.95X3.54)	1590	Alum	Alum	(I) 29.0/(1.14) (E) 25.0/(0.98)	Fuel injection	2499 (98.4)	1557/1567 (61.3/61.7)
Honda Civic / Civic Si (84-87)	1	1900	4 Cyl SOHC	74.0 x 86.5 (2.91x3.41)	1488	Alum	Alum	(I) 27.1/(1.07) (E) 32.1/(1.26)	(1) 40 DCN, DCNF, IDF w/32mm choke(s), (2) auto type side draft w/32mm choke(s) on I.R. manifold, or fuel injection.	2380 (93.7)	1506/1521 (59.3/59.9)

FP	Wheels (max)	Trans. Speeds (max)	Brakes Std. mm/(in.)	Brakes Alt.: mm/(in.)	Fuel Injected Equipped Throttle Body Inside Diameter (mm) +/- .25mm	Notes:
Elva Courier Mk. I, II & III 1622 & 1798	15 x 7	4	(F) 229/(9.0) Drum (R) 203/(8.0) Drum	(F) 229/(9.0) Disc (R) 254/(10.0) Drum (w / MGA axle) (F) 279/(11.0) Disc (R) Mk.4T 229/(9.0)	NA	ATB 7224 MGA axle housing assy., Only the Mk.III 1622cc is allowed to update to the 1798cc engine including the 15" wheel. A Mk.III making this update may use the 13" wheels.
Elva Courier Mk. III, IV 1800 & Mk, IV R & C	15 x 7	4	(F) 229/(9.0) Drum (R) 203/(8.0) Drum	(F) 229 (9.0) Disc (R) 254 (10.0) Drum (w/ MGA axle) (F) 279 (11.0) Disc (R) Mk.4T 229 (9.0)	NA	Mk.IV T R & C have IRS, Mk.III & IV 1800 have live axle. ATB 7224 MGA axle housing assy., Only the Mk.III 1622cc is allowed to update to the 1798cc engine including the 15" wheel. A Mk.III making this update may use the 13" wheels.
Fiat 124 Sport Spider (-1977)	13 x 7	5	(F) 228/(9.0) Disc (R) 227/(8.9) Disc	(F&R) 10.0 Disc	NA	Alternate rotor (#82346805). Allow (2) 40 IDF w/ 34mm choke(s) @ 1965 lbs. Orientation of the alternate carburetor is unrestricted. The alternate carb adaptor may not be thicker than 1.25 inches. The adapter may have a bore larger than the throttle bore of the approved alternate carburetor.
Fiat 124 Spider 2000 (79-83)	15 x 7	5	(F) 226/(8.9) Disc (R) 226/(8.9)Disc			Comp. Ratio limited to 10.5:1, Valve lift limited to .450".
Fiat X-1/9 & Bertone 1300	13 x 7	5	(F&R) 227/(8.9) Disc	(F&R) 257 (10.1) x 12 (7)Solid Disc (Lancia/Fiat)	NA	Top panels may remain in place if securely bolted or pinned. Alt. Crankshaft: #4292177. Engine hatch rain tray may be removed. Trunk mounted fuel cell allowed. Orientation of the alternate carburetor is unrestricted. The alternate carb adapter may not be thicker than 1.25 inches. The adapter may have a bore larger than the throttle bore of the approved alternate carburetor.
Fiat X-1/9 & Bertone	13 x 7	5	(F&R) 227/(8.9) Disc	(F&R) 257 (10.1) x 12 (7) Solid Disc (Lancia/ Fiat)	NA	Fuel cell may be located in front trunk, Crankshaft (#4211630), Alternate grille for '79: '78 X19 grill & valence, Top panels may remain in place if securely bolted or pinned, Engine hatch rain tray may be removed, 4 speed trans from X19. Orientation of the alternate carburetor is unrestricted. The alternate carb adaptor may not be thicker than 1.25 inches. The adapter may have a bore larger than the throttle bore of the approved alternate carburetor.
Ford/Mercury Capri 2000 (71-74)	15 x 7	4	(F) 244/(9.6) Disc (R) 229/(9.0x2.25) Drum		NA	
Ford Escort ZX-2 (98-03)	15 x 7	5	(F) 257x2/(10.1) Vented (R) 251x9/(9.9) Solid		Stock Throttle Body I.D.	Comp. Ratio limited to 11.0:1. Valve lift limited to .450".
Ford Fiesta (78-80)	13 x 7	4	(F) 221/(8.7) Disc (R) 178/(7.0x1.16) Drum		NA	Combination of Formula F spec cylinder head and intake manifold may be used.
Ford Focus SVT (02-04)	17 x 8	6	(F) 300x24/(11.8) Vented (R) 280x10/(11.0) Solid		Stock Throttle Body I.D.	Comp. Ratio limited to 11.0:1. Valve lift limited to .450".
Ford Mustang 2.3 (79-93)	15 x 7	4 or 5	(F) 256/(10.1) Vented Disc (R) 229/(9.0) Drum		NA	Comp. Ratio limited to 11.0:1, Valve lift limited to .450".
Ford Pinto	15 x 7	4 or 5	(F) 236/(9.3) Disc (R) 229/(9.0x1.38) Drum		NA	
Honda Civic 1.5 (88-91)	15 x 7	5	(F) 240/(9.4) Disc (R) 180x30/(7.1) Drum		NA	
Honda Civic EX (90-91)	15 x 7	5	(F) 262/(10.3) vented (R) 7.09 x 1.5 drum 239/(9.4) solid disc			Comp. Ratio limited to 12.0:1, Valve lift limited to .450".
Honda Civic / Civic Si (84-87)	13 x 7	5	(F) 231/(9.1) Disc (R) 180x30/(7.1) Drum		33 (primary) 42 (secondary)	Intake manifold from carbureted version of car is required

GCR - 511

9.1.5. FP Spec Lines

FP	Prep. Level	Weight (lbs)	Engine Type	Bore x Stroke mm/(in.)	Displ. cc/ (ci) (nominal)	Block Mat'l	Head/PN & Mat'l	Valves IN & EX mm/ (in.)	Carburetor. No. & Type	Wheel-base mm/ (in.)	Track (F/R) mm/(in.)
Honda Civic Del Sol Si (93-94)	2	1950 * 1999 ** 2048	4 Cyl SOHC	75.0 x 90.0 (2.95x3.54)	1590	Alum	Alum	(I) 30.1/(1.19) (E) 26.0/(1.02)	Fuel injection	2370 (93.3)	1567/1557 (61.7/61.3)
Honda Civic Del Sol VTEC (94-97)	2	2190 * 2245 ** 2300	4 Cyl DOHC	81.0 x 77.4 (3.19x3.05)	1595	Alum	Alum	(I) 33.0/(1.30) (E) 28.0/(1.10)	Fuel injection	2370 (93.3)	1567/1557 (61.7/61.3)
Honda Civic Si (88-91)	2	1900 * 1948 ** 1995	4 Cyl SOHC	75.0 x 90.0 (2.95x3.54)	1590 (97.0)	Alum	Alum	(I) 29.0/(1.14) (E) 25.0/(0.98)	Fuel injection	2499 (98.4)	1557/1567 (61.3/61.7)
Honda Civic Si (88-91)	1	2075	4 Cyl SOHC	75.0 x 90.0 (2.95x3.54)	1590 (97.0)	Alum	Alum	(I) 29.0/(1.14) (E) 25.0/(0.98)	(1) 40 DCOE w/ 34mm choke(s), (2) Auto-type sidedraft w/ 32mm choke(s) on I.R. manifold, or fuel injection.	2499 (98.4)	1557/1567 (61.3/61.7)
Honda Civic Si (92-95)	2	1950 * 1999 ** 2048	4 Cyl SOHC	75.0 x 90.0 (2.95x3.54)	1590 (97.0)	Alum	Allum	(I) 30.0/(1.18) (E) 26.0/(1.02)	Fuel injection	2573 (101.3)	1582/1572 (62.3/61.9)
Honda Civic Si (99-00)	2	2250 * 2306 ** 2363	4 Cyl DOHC	81.0 x 77.4 (3.19x3.05)	1595	Alum	Alum	(I) 33.0/(1.30) (E) 28.0/(1.10)	Fuel injection	2370 (93.3)	1567/1557 (61.7/61.3)
Honda Civic EX VTEC SOHC (92-95) Honda Civic EX (92-95)	2	1950 * 1999 ** 2048	4 Cyl SOHC	75.0 x 90.0 (2.95x3.54)	1590 (97.0)	Alum	Alum	(I) 30.0/(1.18) (E) 26.0/(1.02)	Fuel injection	2573 (101.3)	1582/1572 (62.3/61.9)
Honda Civic EX (96-00)	2	1975 * 2024 ** 2074	4 cyl SOHC	75.0 x 90.0 (2.95x3.54)	1590 (97.0)	Alum	Alum	(I) 30.0/(1.18) (E) 26.0/(1.02)	Fuel injection	2620	1582/1582 (62.3/62.3)
Honda CRX 1.5 (88-91)	1	1950	4 Cyl SOHC	75.0 x 84.5 (2.95x3.33)	1493	Alum	Alum	(I) 29.0/(1.14) (E) 25.0/(0.98)	(2) auto type side draft w/30mm venturi on I.R. manifold, or fuel injection.	2301 (90.6)	1557/1567 (61.3/61.7)
Honda CRX / CRX Si (84-87)	1	1900	4 Cyl SOHC	74.0 x 86.5 (2.91x3.41)	1488	Iron	Alum	(I) 27.1/(1.07) (E) 32.1/(1.26)	(1) 40 DCN, DCNF, IDF w/32mm choke(s), (2) auto type side draft w/32mm venturi on I.R. manifold, or fuel injection.	2200 (86.6)	1557/1567 (61.3/61.7)
Honda CRX Si (88-91)	2	1900 * 1948 ** 1995	4 Cyl SOHC	75.0 x 90.0 (2.95x3.54)	1590 (97.0)	Alum	Alum	(I) 29.0/(1.14) (E) 25.0/(0.98)	Fuel injection	2301 (90.6)	1557/1567 (61.3/61.7)
Honda CRX Si (88-91)	1	2075	4 Cyl SOHC	75.0 x 90.0 (2.95x3.54)	1590 (97.0)	Alum	Alum	(I) 29.0/(1.14) (E) 25.0/(0.98)	(1) 40 DCOE w/ 34mm choke(s), (2) Auto-type sidedraft w/ 32mm choke(s) on I.R. manifold, or fuel injection.	2301 (90.6)	1557/1567 (61.3/61.7)
Honda Prelude (84-87)	2	2080 * 2132 ** 2184	4 Cyl 12V SOHC	80.0 x 91.0 (3.15x3.58)	1829	Iron	Alum	(I) 30.0/(1.18) (E) 35.0/(1.38)	(2) auto type side draft w/30mm choke(s) on I.R. manifold	2451 (96.5)	1577/1577 (62.1/62.1)
Jensen Healey	2	2300 * 2358 ** 2415	4 Cyl DOHC	85.3 x 69.3 (3.36x2.73)	1973	Alum	Alum	(I) 35.6/(1.40) (E) 30.9/(1.22)	(2) 1.75" Stromberg	2337 (92.0)	1448/1422 (57.0/56.0)
Lancia Scorpion (1976)	1	2030	4 Cyl DOHC	84.1 x 78.7 (3.31x3.12)	1756	Iron	Alum	(I) 42.4/(1.67) (E) 36.6/(1.44)	(2) Weber 40 IDF - 40IDI, (2) Solex C40P116, (2) DCOE w / 36mm choke(s)	2299 (90.5)	1519/1562 (59.8/61.5)
Lotus Europa (72-75)	2	1750 * 1794 ** 1838	4 Cyl. DOHC	82.6 x 72.6 (3.25x3.86)	1558	Iron	Alum	(I) 39.8/(1.57) (E) 33.7/(1.33)	(2) 1.75" Zenith-Stromberg or SU	2337 (92.0)	1463/1450 (57.6/57.1)

FP	Wheels (max)	Trans. Speeds (max)	Brakes Std. mm/(in.)	Brakes Alt.: mm/(in.)	Fuel Injected Equipped Throttle Body Inside Diameter (mm) +/- .25mm	Notes:
Honda Civic Del Sol Si (93-94)	15 x 7	5	(F) 262/(10.3) Vented disc (R) 239/(9.4) Solid disc		56	Comp. Ratio limited to 12.0:1, Valve lift limited to .450".
Honda Civic Del Sol VTEC (94-97)	15 x 7	5	(F) 262/(10.3) Disc (R) 239/(9.4) Disc		60	Comp. Ratio limited to 11.0:1. Valve lift limited to .425". May be prepared as a coupe or "targa top", Petty-bar roll cage allowed in lieu of rearward roll cage braces.
Honda Civic Si (88-91)	15 x 7	5	Factory spec @ all 4 wheels		42	Comp. Ratio limited to 12.0:1, Valve lift limited to .450".
Honda Civic Si (88-91)	15 x 7	5	(F) 241/(9.5) Disc (R) 180x38/(7.1x1.5) Drum	(R) 239/(9.4) Disc	55	Single 40 DCOE requires "dual Y" manifold w / no balance tubes or plenum.
Honda Civic Si (92-95)	15 x 7	5	(F) 262/(10.3) Vented Disc (R) 201/(7.9) Solid Disc		56	Comp. Ratio limited to 12.0:1, Valve lift limited to .450".
Honda Civic Si (99-00)	15 x 7	5	(F) 240/(9.4) Disc (R) 239/(9.4) Disc		60	Comp. Ratio limited to 11.0:1, Valve lift limited to .450".
Honda Civic EX VTEC SOHC (92-95) Honda Civic EX (92-95)	15 x 7	5	(F) 262/(10.3) Vented disc (R) 201/(7.9) Solid disc		56	Comp. Ratio limited to 12.0:1, Valve lift limited to .450".
Honda Civic EX (96-00)	15x7	5	(F) 262/(10.3) Vented Disc (R) 200 x 41 Drum		56	Comp. Ratio limited to 12.0:1, Valve lift limited to .450".
Honda CRX 1.5 (88-91)	15 x 7	5	(F) 240/(9.4) Disc (R) 180x30/(7.1) Drum		33 (primary) 42 (secondary)	
Honda CRX / CRX Si (84-87)	13 x 7	5	(F) 231/(9.1) Disc (R) 180x30/(7.1) Drum		42	
Honda CRX Si (88-91)	15 x 7	5	(F) 241/(9.5) Vented disc (R) 180x38/(7.1 x 1.5) drum	(R) 239/(9.4) Disc	55	Comp. Ratio limited to 12.0:1, Valve lift limited to .450".
Honda CRX Si (88-91)	15 x 7	5	(F) 241/(9.5) Disc (R) 180x38/(7.1 x 1.5) Drum	(R) 239/(9.4) Disc	NA	Single 40 DCOE requires "dual Y" manifold w / no balance tubes or plenum.
Honda Prelude (84-87)	13 x 7	5	(F) 229/(9.0) Vented Disc (R) 237/(9.3) Solid Disc		NA	Comp. Ratio limited to 12.0:1. Valve lift limited to .500".
Jensen Healey	15 x 7	5	(F) 254/(10.0) Disc (R) 229/(9.0) Drum		NA	Comp. Ratio limited to 10.5:1, Valve lift limited to .450"
Lancia Scorpion (1976)	15 x 7	5	(F & R) 226/(8.9) Disc	(F&R) 254/(10) Solid Disc	NA	Trunk mounted fuel cell is permitted. Fabric roof panel may be replaced with alternate material. The plastic front valence may be replaced by a component of alternate material provided its appearance remains stock.
Lotus Europa (72-75)	13 x 7	4 or 5	(F) 248/(9.8) Disc (R) 203x38.1/(8.0) Drum			Comp. Ratio limited to 11.0:1, Valve lift limited to .450"

FP	Prep. Level	Weight (lbs)	Engine Type	Bore x Stroke mm/(in.)	Displ. cc/(ci) (nominal)	Block Mat'l	Head/PN & Mat'l	Valves IN & EX mm/(in.)	Carburetor. No. & Type	Wheel-base mm/(in.)	Track (F/R) mm/(in.)
Lotus Super Seven	1	91.7ci: 1580 60.8ci: 1045	4 Cyl OHV	81.0 x 72.9 (3.19x2.87) 81.0x77.7 (3.19x3.06)	1503 (91.7) 997 (60.8)	Iron	Iron	91.7: (I) 36.6/(1.44) (E) 30.2/(1.19) 60.8: (I) 33.0/(1.30) (E) 30.5/(1.20)	(2) weber DCOE on I.R. manifold w/ 34mm choke(s)	2235 (88.0)	1293/1400 (50.9/55.1)
Lotus Super Seven Series Four	1	1735	4 Cyl OHV	81.0 x 77.7 (3.19x3.06)	1599 (97.5)	Iron	Iron	(I) 38.4/(1.51) (E) 31.8/(1.25)	(1) Weber 32 DFM, DFD w/ 28mm primary & 28mm secondary, (1) Weber DCNF w/ 28mm choke(s).	2286 (90.0)	1331/1400 (52.4/55.1)
Lotus Mk 46, 54, 65 Europa	1	1630 1565	4 Cyl OHV	75.9 x 81.0 (2.99x3.19) 77.0 x 84.1 (3.03x3.31)	1470 (89.7) 1565 (95.5)	Alum	Alum	(I) 37.6/(1.48) (E) 31.2/(1.23)	(1) Solex 1 3/8" DIDSA2, (1) Weber 45 DCOE w / "Dual-Y" manifold	2311 (91.0)	1440/1440 (56.7/56.7)
Mazda 626 (84-87)	2	2000 * 2050 ** 2100	4 Cyl SOHC	86.0 x 86.0 (3.39x3.39)	1998	Iron	Alum	(I) 44.0/(1.73) (E) 36.0/(1.42)	(2) Auto-type sidedraft w/ 32mm choke(s) on I.R. manifold, or fuel injection.	2510 (98.8)	1537/1532 (60.5/60.3)
Mazda GLC / 323 (86-88)	2	1800 * 1845 ** 1890	4 Cyl SOHC	78.0 x 83.6 (3.07x3.29)	1597	Iron	Alum	(I) 38.1/(1.50) (E) 32.1/(1.26)	(2) auto type side draft w/32mm choke(s) on I.R. manifold, or fuel injection.	2400 (94.5)	1458/1483 (57.4/58.4)
Mazda Miata 1.6L (90-97)	2	2075 * 2127 ** 2179	4 Cyl DOHC	78.0 x 83.6 (3.07x3.29)	1597	Iron	Alum	(I) 31.1/(1.22) (E) 26.3/(1.04)	Fuel injection	2266 (89.2)	1516/1534 (59.7/60.4)
Mazda Protégé (90-94)	2	2150 * 2204 ** 2258	4 Cyl DOHC	83.0 x 85.0 (3.27x3.35)	1839 (112.2)	Iron	Alum	(I) 33.0/(1.30) (E) 28.0/(1.10)	Fuel Injection	2499 (98.4)	1542/1542 (60.7/60.7)
Mazda Protégé ES (99-00)	2	2150 * 2204 ** 2258	4 cyl DOHC	83.0 x 85.0 (3.27x3.62)	1839 (112.2)	Iron	Alum	(I) 31.5/(1.24) (E) 27.6/(1.09)	Fuel Injection	2611 (102.8)	1544/1549 (60.8/61.0)
Mazda Protégé ES (01-03)	2	2350 *2409 ** 2468	4 Cyl DOHC	83.0 x 92.0 (3.27x3.62)	1991	Iron	Alum	(I) 31.5/(1.24) (E) 27.6/(1.09)	Fuel injection	2611 (102.8)	1544/1549 (60.8/61.0)
Mercury Capri 1.6L (91-94)	2	1950 *1999 ** 2048	4 Cyl DOHC	78.0 x 83.6 (3.07x3.29)	1597	Iron	Alum	(I) 31.1/(1.22) (E) 26.3/(1.04)	Fuel injection	2405 (94.7)	1479/1524 (58.2/60.0)
MGA 1500/1600 / 1622 Coupe & Roadster	1	1862	4 Cyl OHV	77.8 x 88.9 (3.06x3.50) 75.4 x 8.9 (2.97x3.50) 76.2 x 88.9 (3.00x3.50)	1469 1588 1622	Iron	Iron	(I) 43.5/(1.71) (E) 35.5/(1.40) (I) 39.9/(1.57) (E) 34.3/(1.35) (I) 38.1/(1.50) (E) 30.6/(1.20)	(2) 1.5" or 1.75" SU or Stromberg	2388 (94.0)	1321/1354 (52.0/53.3)
MGB & MGB-GT	1	1950	4 Cyl OHV	80.3 x 88.9 (3.16x3.50)	1798 (109.7)	Iron	Iron	(I) 39.9/(1.57) (I) 41.4/(1.63) (I) 43.5/(1.71) (E) 34.3/(1.35)	(2) 1.75" SU or Stromberg	2311 (91.0)	1346/1351 (53.0/53.2)
Morgan 4/4 Mk.V	1	1530	4 Cyl. OHV	81.0 x 72.6 (3.19x2.86)	1498	Iron	Iron	(I) 36.6/(1.44) (E) 30.3/(1.19)	Weber 28/36 DD or Weber 32/36; (2) Weber DCOEs on I.R. manifold with 34mm chokes	2438 (96.0)	1308/1328 (51.5/52.3)

FP	Wheels (max)	Trans. Speeds (max)	Brakes Std. mm/(in.)	Brakes Alt.: mm/(in.)	Fuel Injected Equipped Throttle Body Inside Diameter (mm) +/- .25mm	Notes:
Lotus Super Seven	13 x 6	4	(F) 203/(8.0) Drum (R) 178/(7.0) Drum	(F) 229/(9.0) Disc #OAOB 405/6 (7/8" track increase) (F) 244/(9.6) Disc	NA	Authorized frame modification: Info. available from SCCA. Headlights & associated hardware may be removed. Series 4 axle housing is permitted. Suspension components can pass through exterior bodywork. Front fenders may be modified as described here. The fender mounting flange shall be a minimum of 50 inches in length. At the rear of the fender, the lower edge of the mounting flange shall extend no higher than 4-1/2 inches above the undertray of the vehicle. At a point 6 inches rearward from the front of the flange, the fender shall be no narrower than 16-7/8 inches as measured along the upper curvature. At a point 18 inches rearward from the front of the flange, the fender shall be no narrower than 7 inches along the upper curvature and from 34 inches to 48 inches, the fender shall be no less than 3" inches along the upper curvature. From 48 inches rearward, a radius may provide a transition between the outer and the rearmost fender edges. The contours resulting from this modification shall be gradual and describe a smooth curve in plan view. A diagram is available from SCCA. No further modifications are allowed.
Lotus Super Seven Series Four	13 x 6	4	(F) 229/(9.0) Disc (R) 229/(9.0) Drum	(F) 244/(9.6) Disc	NA	Headlights & associated hardware may be removed. NOTE: Rear edge of front fenders shall be 4.5" above body undertray. Floor pans: One (1) right, One (1) left, attached to bottom of frame tubes. Area beneath transmission / driveshaft shall remain open.
Lotus Mk 46, 54, 65 Europa	13 x 7	4 or 5	(F) 229/(9.0) Disc (R) 203/(8.0) Drum	(F) 244/(9.6) Disc (R) 231/(9.1) Disc from twin cam	NA	Renault R-16 (non-crossflow) cylinder head casting. Trunk mounted fuel cell is permitted. Any available transaxle with the same number of forward gears mounted in standard position.
Mazda 626 (84-87)	15 x 7	5	(F) 254/(10.0) Solid Disc (R) 231/(9.1) Drum		stock throttle body I.D.	Comp. Ratio limited to 11.0:1 Valve lift limited to .450".
Mazda GLC / 323 (86-88)	15 x 7	4 or 5	(F) 238/(9.4) Disc (R) 200/(7.9) Drum		stock throttle body I.D.	Comp. Ratio limited to 12.0:1. Valve lift limited to 500".
Mazda Miata 1.6L (90-97)	15 x 7	5	(F) 235x18/(9.3)Vented Disc (R) 231x9/(9.1) Solid Disc		55mm	Comp. Ratio limited to 10.0:1, Valve lift limited to .390". 1994 Mazda Miata (1840cc) differential housing permitted, part #'s MA0227600A and MA0327100A.
Mazda Protégé (90-94)	15 x 7	5	(F) 251/(9.9) Vented Disc (R) 251/(9.9) Solid Disc		stock throttle body I.D.	Comp. Ratio limited to 11.0:1. Valve lift limited to .450".
Mazda Protégé ES (99-00)	15x7	5	258 / (10.2) Disc 261 / (10.3) Disc		stock throttle body I.D.	Comp. Ratio limited to 11.0:1. Valve lift limited to .450".
Mazda Protégé ES/5 (01-03)	15 x 7	5	(F) 258x24/(10.2)Vented Disk (R) 261x10/(10.3) Solid Disk		stock throttle body I.D.	Comp. Ratio limited to 11.0:1, Valve lift limited to .450".
Mercury Capri 1.6L (91-94)	15 x 7	5	Factory spec @ all 4 wheels		stock throttle body I.D.	Comp. Ratio limited to 10.0:1, Valve lift limited to .390".
MGA 1500/1600 / 1622 Coupe & Roadster	15 x 7	4	(F) 279/(11.0) Disc (R) 254/(10.0) Drum	(F) 254/(10.0) Drum (F&R) 279/(11.0) Disc	NA	It is permitted to replace wood floor boards with metal. MGB intake manifold permitted. Cylinder block (3 main bearing) from MGB. MGB 18G/18GA series 3 main bearing crankshaft allowed.
MGB & MGB-GT	15 x 7	4	(F) 273/(10.7) Disc (R) 254/(10.0) Drum		NA	17th 8152 (0.75") wheel cylinders, Alt. Manifold: Any individual runner manifold with runner length of 3.0-4.0" measured flange to flange. 4 speed gearbox w/o overdrive.
Morgan 4/4 Mk.V	15 x 7	4	(F) 280/(11.0) disc (R) 229/(9.0) drum		NA	

FP	Prep. Level	Weight (lbs)	Engine Type	Bore x Stroke mm/(in.)	Displ. cc/ (ci) (nominal)	Block Mat'l	Head/PN & Mat'l	Valves IN & EX mm/ (in.)	Carburetor. No. & Type	Wheel-base mm/ (in.)	Track (F/R) mm/(in.)
Nissan/Datsun PL510	1	1891	4 Cyl SOHC	87.6 x 73.7 (3.45x2.90)	1595	Iron	Alum	(I) 44.2/(1.74) (E) 35.3/(1.39) (I) 41.9 (E) 33.0	(1) 40 DCN, DCNF, IDF w/ 36mm choke(s), (2) auto type side draft w/ 36mm choke(s) on I.R. manifold.	2421 (95.3)	1384/1384 (54.5/54.5)
Nissan/Datsun SPL 311/311-U	1	1824	4 Cyl OHV	87.1 x 66.8 (3.43x2.63)	1595	Iron	Iron or Alum	(I) 47.2/(1.86) (E) 35.6/(1.40) (I) 1.66 (I) 1.69 (E) 1.38 (E) 1.26	(2) Auto type side draft 45mm max. throttle bore w/ 38mm choke(s) or 46mm H46 Hitachi/SU on I.R. manifold	2281 (89.8)	1389/1313 (54.7/51.7)
Nissan NX-2000	2	2300 *2358 **2415	4 Cyl DOHC	86.0 x 86.0 (3.39x3.39)	1998 (121.9)	Iron	Alum	(I) 34.2/(1.35) (E) 30.2/(1.19)	(2) Auto-type sidedraft w/ 32mm choke(s) on I.R. manifold, or fuel injection.	2431 (95.7)	1524/1501 (60.0/59.1)
Nissan Sentra SE-R (90-94)	2	2275 *2332 **2389	4 Cyl DOHC	86.0 x 86.0 (3.39x3.39)	1998 (121.9)	Iron	Alum	(I) 34.2/(1.35) (E) 30.2/(1.19)	(2) Auto-type sidedraft w/ 32mm choke(s) on I.R. manifold, or fuel injection.	2431 (95.7)	1524/1501 (60.0/59.1)
Nissan 200-SX SE-R	2	2275 *2332 **2389	4 Cyl DOHC	86.0 x 86.0 (3.39x3.39)	1998 (121.9)	Iron	Alum	(I) 34.2/(1.35) (E) 30.2/(1.19)	(2) Auto-type sidedraft w/ 32mm choke(s) on I.R. manifold, or fuel injection.	2431 (95.7)	1537/1516 (60.5/59.7)
Nissan 240-SX / S13	2	2400 *2460 **2520	4 Cyl SOHC (3 valve)	89.0 x 96.0 (3.50x3.78)	2389 (145.7)	Iron	Alum	(I) 34.0/(1.34) (E) 40.0/(1.57)	Fuel Injection	2474 (97.4)	1572/1567 (61.9/61.7)
Opel GT	1	1900	4 Cyl OHV	97.6 x 69.9 (3.84x2.45)	1897	Iron	Iron	(I) 40.0/(1.57) (I) 42.0/(1.65) (E) 34.0/(1.34)	(1) 40 DCN, DCNF, IDF w/36mm choke(s), (2) auto type side draft w/36mm choke(s) on I.R. manifold, or fuel injection.	2431 (95.7)	1356/1387 (53.4/54.6)
Opel Manta (71-75)	1	1900	4 Cyl OHV	97.6 x 69.9 (3.84x2.45)	1897	Iron	Iron	(I) 40.0/(1.57) (I) 42.0/(1.65) (E) 34.0/(1.34)	(1) 40 DCN, DCNF, IDF w/36mm choke(s), (2) auto type side draft w/36mm choke(s) on I.R. manifold, or fuel injection.	2431 (95.7)	1410/1400 (55.5/55.1)
Opel 1900	1	1900	4 Cyl OHV	97.6 x 69.9 (3.84x2.75)	1897	Iron	Iron	(I) 40.0/(1.57) (I) 42.0/(1.65) (E) 34.0/(1.34)	(1) 40 DCN, DCNF, IDF w/36mm choke(s), (2) auto type side draft w/36mm choke(s) on I.R. manifold, or fuel injection.	2431 (95.7)	1410/1400 (55.5/55.1)
Porsche 356, A, C (1500, 1600)C (1600) SC,B, Super 90 Cabriolet	1	1840	4 Cyl OHV	82.5 x 73.9 (3.25x2.91) 80.0 x 73.9 (3.15x2.91)	1582 1488	Alum	Alum	(I) 38.2/(1.50) (E) 34.0/(1.34)	(2) Zenith 32 NDIX, (2) Solex 32 PBIC, (2) Solex 40 PBIC, (2) Solex P II 4 or PJ54. 38mm choke(s) req'd.	2101 (82.7)	1397/1364 (55.0/53.7)
Porsche 912 Coupe / Targa (-1969)	1	1870	4 Cyl OHV	82.5 x 73.9 (3.25x2.91)	1582	Alum	Alum	(I) 38.2/(1.5) (E) 34.0/(1.34)	(2) Solex PII-4. 38mm chok(s) req'd.	87.0 or 2266 (89.2)	1461/1427 (57.5/56.2)
Porsche 914-4	1	1970	4 Cyl OHV	90.0 x 66.0 (3.54x2.60) 97.6 x 66.0 (3.84x2.60)	1679 1795	Alum	Alum	(I) 38.2/(1.50) (E) 33.0/(1.30) (I) 41.9/(1.65) (E) 34.0/(1.34)	(2) Solex 40 PII-4, (2) weber 40 IDF, (2) Del'Orto 40mm. 38mm choke(s) req'd.	2451 (96.5)	1448/1478 (57.0/58.2)
Porsche 914-4	2	2030 * 2081 ** 2132	4 cyl OHV	94.0 x 70.9 (3.70x2.79)	1968 (120.1)	Alum	Alum	(I) 41.9/(1.65) (E) 36.1/(1.42)	(2) Solex 40 PII-4, (2) Weber 40 IDF, (2) Del'Orto 40mm, w/ 38mm choke(s), or fuel injection.	2451 (96.5)	1448/1478 (57.0/58.2)

FP	Wheels (max)	Trans. Speeds (max)	Brakes Std. mm/(in.)	Brakes Alt.: mm/(in.)	Fuel Injected Equipped Throttle Body Inside Diameter (mm) +/- .25mm	Notes:
Nissan/Datsun PL510	15 x 7	4	(F) 231/(9.1) Disc (R) 229/(9.0) Drum	1977-78 Datsun 240/260/ 280Z front rotors and calipers and rear aluminum drums are permitted.	NA	Allow any originally-delivered or superceding cylinder ead. Alternate cylinder head: P/N: 11041-V9182 casting #V912.
Nissan/Datsun SPL 311/311-U	15 x 7	4 or 5	(F) 284/(11.2) Disc (R) 229/(9.0) Drum		NA	1977-78 Datsun 240/260/280Z front rotors and calipers and rear aluminum drums are permitted.
Nissan NX-2000	15 x 7	5	(F) 249/(9.8) Disc (R) 234/(9.2) Disc		stock throttle body I.D.	Comp Ratio limited to 11.0:1. Valve lift (measured as raced - w/ lash): .450" max.
Nissan Sentra SE-R (90-94)	15 x 7	5	(F) 249/(9.8) Disc (R) 234/(9.2) Disc		stock throttle body I.D.	Comp Ratio limited to 11.0:1. Valve lift (measured as raced - w/ lash): .450" max.
Nissan 200-SX SE-R	15 x 7	5	(F) 249 (9.8) Disc (R) 234 (9.2) Disc		stock throttle body I.D.	Comp Ratio limited to 11.0:1. Valve lift (measured as raced - w/ lash): .450" max.
Nissan 240-SX / S13	15 x 7	5	(F) 252/(9.9) Disc (R) 258/(10.2) Disc		stock throttle body I.D.	Comp. Ratio limited to 11.0:1. Valve lift limited to .450".
Opel GT	13 x 7	4	(F) 247/(9.7) Disc (R) 229/(9.0) Drum	(F) 247 Vented Discs and calipers from Opel Omega / 75 Opel 1900 Ascona / Manta, kit # 91305079.	stock throttle body I.D.	
Opel Manta (71-75)	13 x 7	4	(F) 246/(9.7) Disc (R) 229/(9.0) Drum	(F) 247 Vented Discs and calipers from Opel Omega / 75 Opel 1900 Ascona / Manta, kit # 91305079.	stock throttle body I.D.	
Opel 1900	13 x 7	4	(F) 246/(9.7) Disc (R) 229/(9.0) Drum	(F) 247 Vented Discs and calipers from Opel Omega / 75 Opel 1900 Ascona / Manta, kit # 91305079.	stock throttle body I.D.	
Porsche 356, A, C (1500,1600), C (1600) SC, B, Super 90 Cabriolet	15 x 7	4	(F) 274/(10.8) Disc (R) 284/(11.2) Disc	(F & R) (11.0) Drum # 64442095-60mm front brakes & vent backing plates. 1969-1975 Porsche 911/912 M calipers.	NA	64451101018 - Alum front hood, 64451201018 - Alum rear hood, 64453100410 - Alum door, 64453100310 - Alum door. Cylinder barrels of alternate material are permitted.
Porsche 912 Coupe / Targa (-1969)	15 x 7	4 or 5	(F) 282/(11.1) Disc (R) 284/(11.2) Disc	901351 / 35240115 Vented Rotors	NA	Cylinder barrels of alternate material are permitted.
Porsche 914-4	15 x 7	4 or 5	(F) 282/(11.1) Disc (R) 284/(11.2) Disc	914-6 calipers & rotors allowed. Front "M" calipers may be used on rear rotors.	NA	Standard intake manifold: Porsche part #021 129 705N. Alternate manifolds with the same length and configuration (4-5 ¼" center line axis) are allowed. (i.e. Pierce manifold part # 99004.822. Top panel may remain in place is securley bolted or pinned. Cylinder barrels of alternate material are permitted.
Porsche 914-4	15x7	5	(F) 282/(11.1) Disc (R) 285/(11.2) Disc		Stock throttle body I.D.	Comp. Ratio limited to 11.0:1, Valve lift limited to .450". Cylinder barrels of alternate material are permitted. A 2-stage dry sump is allowed, but it must be cam-driven only and mounted in the same location as the OEM oil pump.

FP	Prep. Level	Weight (lbs)	Engine Type	Bore x Stroke mm/(in.)	Displ. cc/ (ci) (nominal)	Block Mat'l	Head/PN & Mat'l	Valves IN & EX mm/ (in.)	Carburetor. No. & Type	Wheel-base mm/ (in.)	Track (F/R) mm/(in.)
Porsche 924	1	2200	4 Cyl OHC	86.5 x 84.4 (3.41x3.32)	1984 (121.0)	Iron	Alum	(I) 40.0/(1.57) (E) 33.0/(1.30)	2) Auto-type w/ 30mm choke(s)	2400 (94.5)	1420/1392 (55.9/54.8)
Porsche 924 (76-84)	2	2125 *2178 **2231	4 Cyl SOHC	86.5 x 84.4 (3.41x3.32)	1984 (121.0)	Iron	Alum	(I) 40.0/(1.57) (E) 33.0/(1.30)	Fuel Injection or (2) Auto-type w/ 30mm choke(s)	2400 (94.5)	1420/1392 (55.9/54.8)
Saab 900S (85-94)	2	Sedan: 2160 *2214 **2268 Conv.: 2260 *2317 **2373	4 Cyl DOHC	90.0 x 78.0 (3.54x3.07)	1985	Iron	Alum	(I) 32.0/(1.26) (E) 29.0/(1.14)	Fuel injection	2515 (99.0)	1537/1547 (60.5/60.9)
Saturn SL2/SC/ SC2 (91-95)	2	2235 * 2291 ** 2347	4 Cyl DOHC	82.0 x 90.0 (3.23x3.54)	1901	Alum	Alum	(I) 32.3/(1.27) (E) 27.4/(1.08)	Fuel Injection	2601 (102.4) except 91- 96 coupe: 2520	1549/1529 (61.0/60.2)
Sunbeam Alpine I, II, III, IV, V, & Harrington LeMans	1	1976	4 Cyl OHV	81.5 x 82.5 (3.21x3.25) 81.5 x 76.2 (3.21x3.00) 79.0 x 76.2 (3.11x3.00)	1725 1592 1494	Iron	Alum	(I) 38.1/(1.50) (E) 30.5/(1.20) (I) 35.6/(1.40) (E) 30.0/(1.18) (I) 35.5/(1.40) (E) 29.7/(1.17)	(2) Zenith-Stromberg 150CD, (1) Solex 32 PAIA, (1) Zenith 36 WIP2	2184 (86.0)	1400/1372 (55.1/54.0)
Suzuki Swift GT & GTi	1	1691	4 Cyl DOHC	73.9 x 75.4 (2.91x2.97)	1299	Alum	Alum	(I) 29.0/(1.14) (E) 23.9/(0.94)	(1) 40 DCOE, (2) auto type side draft on I.R. manifold, 32mm choke(s) required, or fuel injection, alt. 52mm throttle body allowed.	2268 (89.3)	1483/1458 (58.4/57.4)
Toyota Celica 94-99	2	2150 * 2204 ** 2258	4Cyl. DOHC	81.0 x 85.5 (3.19x3.37)	1762	Iron	Alum	(I) 32.0/(1.26) (E) 27.0/(1.06)	Fuel injection	2540 (100.0)	1626/1605 (64.0/63.2)
Toyota Celica GT (00-05)	2	2250 *2306 **2363	4Cyl. DOHC	79.0 x 91.5 (3.11x3.60)	1794	Alum	Alum	(I) 32.0/(1.26) (E) 27.5/(1.08)		2601 (102.4)	1598/1588 (62.9/62.5)
Toyota Corolla 2TC (71-74)	1	1853	4 Cyl OHV	85.0 x 70.0 (3.35x2.76)	1588	Iron	Alum	(I) 41.9/(1.65) (I) 41.0/(1.61) (E) 36.0/(1.42)	(1) 40 DCN, DCNF, IDF, (2) auto type side draft w/ 36mm choke(s) on I.R. manifold.	2334 (91.9)	1384/1410 (54.5/55.5)
Toyota MR2 (1991-1998)	2	2300 * 2358 ** 2415	4 Cyl. DOHC	87.1 x 91.2 (3.43x3.59)	(132) c.i.	Iron	Alum	(I) 32.0/(1.26) (E) 26.9/(1.06)	Fuel Injection	2400 (94.5)	1577/1557 (62.1/61.3)
Triumph TR2/3/4	1	2060	4 Cyl OHV	87.8 x 92.0 (3.46x3.62) 86.1 x 92.0 (3.39x3.62)	1991 2138	Iron	Iron	(I) 39.6/(1.56) (E) 33.0/(1.30)	(2) 1.75" SU	2235 (88.0)	1346/1334 (53.0/52.5) 1387/1361 (54.6/53.6)
Triumph TR7	2	2200 * 2255 **2310	4 Cyl. SOHC	91.4 x 78.7 (3.60x3.10)	1997 (121.9)	Iron	Alum	(I) 38.2/(1.50) (E) 30.6/(1.20)	SU or Zenith Stromberg carbs	2159 (85.0)	1532/1499 (60.3/59.0)
Triumph Spitfire Mk.III	1	1620	4 Cyl OHV	73.7x73.7 (2.90x2.90)	1296	Iron	Iron	(I) 33.0/(1.30) (E) 29.7/(1.17)	(2) 1.25" or 1.50" Stromberg or SU, (1) CDSE Stromberg, (1) 1.50" SU, maximum spacer block (isolator) length 1.25".	2108 (83.0)	1501/1336 (59.1/52.6)

FP	Wheels (max)	Trans. Speeds (max)	Brakes Std. mm/(in.)	Brakes Alt.: mm/(in.)	Fuel Injected Equipped Throttle Body Inside Diameter (mm) +/- .25mm	Notes:
Porsche 924	15 x 7	5	(F) 257/(10.1) Disc (R) 231 9.1) Drum		NA	Can use the stock fuel tank if stock rear bumper and bumper support structure retained.
Porsche 924 (76-84)	15 x 7	5	(F) 282/(11.1) Vented Disc (R) 290/(11.4) Solid Disc		stock throttle body I.D.	Comp. Ratio limited to 12.0:1, Valve lift limited to .500". Can use the stock fuel tank if stock rear bumper and bumper support structure retained.
Saab 900S (85-94)	15 x 7	5	(F) 276/(10.9) Disc (R) 276/(10.9) Disc		stock throttle body I.D.	Comp. Ratio limited to 11.0:1 Valve lift limited to .380".
Saturn SL2/ SC.SC2 (91-95)	15 x 7	5	(F) 251 x 18/(9.9) Vented Disc (R) 245 x 11/(9.6) Solid Disc		stock throttle body I.D.	Comp. Ratio limited to 11.0:1, Valve lift limited to .450".
Sunbeam Alpine I, II, III, IV, V, & Harrington LeMans	13 x 6	4	(F) 254/(10.0) Disc (R) 229/(9.0) Drum		NA	Laycock overdrive (0.803)
Suzuki Swift GT & GTi	15 x 7	5	(F) 248/(9.8) Disc (R) 237/(9.3) Disc		52 (alternate)	"Dual Y" manifold required, no plenum or balance tubes.
Toyota Celica 94-99	15x7	5	(F) 253/(10.0) Vented (R) 200/(7.9) Drum		NA	Comp. Ratio limited to 11.0:1, Valve lift limited to .450".
Toyota Celica GT (00-05)	15 x 7	5	(F) 254/(10.0) Disc (R) 300/(11.8) Drum		Stock	Comp Ratio limited to 11.0:1. Valve lift limited to 450"
Toyota Corolla 2TC (71-74)	15 x 7	4 or 5	(F) 229/(9.0) Disc (R) 231/(9.1) Drum	(F) 10.0 Solid Disc Rotors and Calipers from 73 Corona	NA	
Toyota MR2 (1991-1998)	15 x 7	5	(F) 259/(10.2) Vented (R) 264/(10.4) Vented			Comp. Ratio limited to 11.0:1, Valve lift limited to .450".
Triumph TR2/3/4	15 x 7	4	(F) 279/(11.0) Disc (R) 229/(9.0) Drum	(F) Calipers & discs from TR-6 (std. or alt.) (R) 254 (10.0) Drum Drum may be 9" or 10" and of alfin or steel.	NA	Front apron assembly may be made of alternate material. Laycock overdrive may use 5 speed gearbox without overdrive.
Triumph TR7	15x7	4 or 5	(F) 249/(9.8) Disc (R) 203/(8.0) Drum	(F) 10.5 disc vented (R) 9.0 drum or 10.5 x .78 disc Discs from TR8 and alt. JRT brake kit- STN 0068		Comp. Ratio limited to 11.0:1, Valve lift limited to .450"
Triumph Spitfire Mk.III	13 x 6	4	(F) 229/(9.0) Disc (R) 178/(7.0) Drum	(F) 9.7 Disc (R) 8.0 Drum May use Triumph GT6 caliper as alternate front caliper.	NA	Laycock "D" (0.802). NOTE: Roll cage for cars under 1500 lbs are acceptable for cars registered with SCCA before 4/1/82.

FP	Prep. Level	Weight (lbs)	Engine Type	Bore x Stroke mm/(in.)	Displ. cc/ (ci) (nominal)	Block Mat'l	Head/PN & Mat'l	Valves IN & EX mm/ (in.)	Carburetor. No. & Type	Wheel-base mm/ (in.)	Track (F/R) mm/(in.)
Triumph Spitfire Mk. IV & 1500	1	1296 1620	4 Cyl OHV	73.7 x 73.7 (2.90x2.90)	1296	Iron	Iron	(I) 33.0/(1.30) (E) 29.7/(1.17)	1296cc = (2) 1.25" or 1.50" SU or Stromberg	2108 (83.0)	1501/1387 (59.1/54.6)
		1493: 1700		73.7 x 86.4 (2.90x3.40)	1493			(I) 35.5/(1.40) (E) 29.7/(1.17)	1493cc = (1) 1.5" Stromberg type SU, (1) 1.5" SU, or (1) 1.75" SU		
Turner 1500	1	1700	4 Cyl OHV	81.0 x 72.6 (3.19x2.86)	1498	Iron	Iron	(I) 35.6/(1.40) (E) 30.5/(1.20)	28/36 DCD 22, 32/36 DGN, 36 DCNF w/32mm choke(s), (1) 40 DCNF, w/32mm choke(s), (2) Weber DCOE on I.R. manifold w/32mm choke(s)	2083 (82.0)	1242/1224 (48.9/48.2)
Volkswagen Golf GTI (87-89)	2	2050 * 2101 ** 2152	4 Cyl DOHC	81.0 x 86.4 (3.19x3.40)	1780 (108.6)	Iron	Alum	(I) 32.0/(1.26) (E) 28.0/(1.10)	Fuel injection	2471 (97.3)	1537/1529 (60.5/60.2)
Volkswagen Golf GTI (90-92)	2	2200 * 2255 ** 2310	4 Cyl. DOHC	82.5 X 92.8 (3.25X3.65)	1984 (121.05)	Iron	Alum	(I) 32.0/(1.26) (E) 28.0/(1.10)	Fuel injection	2471 (97.3)	1537/1529 (60.5/60.2)
Volkswagen Golf (GTI, GT, GL) (85-92)	1	1900	4 Cyl SOHC	81.0 x 86.4 (3.19x3.40)	1780 (108.6)	Iron	Alum	(I) 40.0/(1.57) (E) 33.0/(1.30)	(1) 40 DCN, DCNF, IDF w/ 36mm choke(s), (2) Auto-type sidedraft w/ 32mm choke(s) on I.R. manifold, or fuel injection.	2471 (97.3)	1537/1529 (60.5/60.2)
Volkswagen Golf III / Jetta III (93-98)	2	1995 * 2045 ** 2095	4 Cyl SOHC	82.5 x 92.8 (3.25x3.65)	1984	Iron	Alum	(I) 39.5/(1.56) (E) 32.9/(1.30)	Fuel Injection	2471 (97.3)	1585/1567 (62.4/61.7)
Volkswagen Golf IV/ Jetta IV (99-05)	2	2050 * 2101 ** 2153	4 Cyl. SOHC	82.5 x 92.8 (3.25x3.65)	1982 (121)	Iron	Alum	(I) 40.0/(1.57) (E) 33.0/(1.30)	Fuel injection	2512 (98.9)	1623/1603 (63.9/63.1)
Volkswagen Jetta (includes GLI) (82-84)	1	1733	4 Cyl SOHC	79.5 x 86.4 (3.13x3.40)	1715	Iron	Alum	(I) 40.0/(1.57) (E) 33.0/(1.30)	(1) 40 DCN, DCNF, IDF w/ 38mm choke(s)	2400 (94.5)	1496/1453 (58.9/57.2)
		1803		81.0 x 86.4 (3.19x3.40)	1780			(2) auto-type side draft w/ 34mm choke(s) on I.R. manifold, or fuel injection.			
Volkswagen Jetta (GLI, GL) (85-92)	1	1900	4 Cyl SOHC	81.0 x 86.4 (3.19x3.40)	1780	Iron	Alum	(I) 40.0/(1.57) (E) 33.0/(1.30)	(1) 40 DCN, DCNF, IDF w/ 36mm choke(s) (2) Auto-type sidedraft w/ 32mm choke(s) on I.R. manifold, or fuel injection.	2471 (97.3)	1537/1529 (60.5/60.2)
		1520		79.5 x 73.4 (3.13x2.89)	1457			(I) 40.0/(1.57) (E) 33.0/(1.30)	(1) 40 DCN, DCNF, IDF w/ 38mm choke(s)		
		1520		76.5 x 80.0 (3.01x3.15)	1471				(2) auto-type side draft w/ 34mm choke(s) on I.R. manifold, or fuel injection.		
		1663		79.5 x 80.0 (3.13x3.15)	1588						
		1733		79.5 x 86.4 (3.13x3.40)	1715						
1803	81.0 x 86.4 (3.19x3.40)	1780									
Volkswagen Rabbit (Includes Convertible)	1	1520	4 Cyl SOHC	79.5 x 73.4 (3.13x2.89)	1457	Iron	Alum	(I) 40.0/(1.57) (E) 33.0/(1.30)	(1) 40 DCN, DCNF, IDF w/ 38mm choke(s)	2400 (94.5)	1496/1453 (58.9/57.2)
		1520		76.5 x 80.0 (3.01x3.15)	1471				(2) auto-type side draft w/ 34mm choke(s) on I.R. manifold, or fuel injection.		
		1663		79.5 x 80.0 (3.13x3.15)	1588						
		1733		79.5 x 86.4 (3.13x3.40)	1715						
		1803		81.0 x 86.4 (3.19x3.40)	1780						
Volkswagen Scirocco	1	1520	4 Cyl SOHC	79.5 x 73.4 (3.13x2.89)	1457	Iron	Alum	(I) 40.0/(1.57) (E) 33.0/(1.30)	(1) 40 DCN, DCNF, IDF w/ 38mm choke(s)	2400 (94.5)	1496/1453 (58.9/57.2)
		1520		76.5 x 80.0 (3.01x3.15)	1471				(2) auto-type side draft w/ 34mm choke(s) on I.R. manifold, or fuel		
		1663		79.5 x 80.0 (3.13x3.15)	1588						
		1733		79.5 x 86.4 (3.13x3.40)	1715						
		1803		81.0 x 86.4 (3.19x3.40)	1780						

FP	Wheels (max)	Trans. Speeds (max)	Brakes Std. mm/(in.)	Brakes Alt.: mm/(in.)	Fuel Injected Equipped Throttle Body Inside Diameter (mm) +/- .25mm	Notes:
Triumph Spitfire Mk. IV & 1500	13 X 6	4	(F) 229/(9.0) Disc (R) 178/(7.0) Drum	(F) 9.7 Disc (R) 8.0 Drum May use Triumph GT6 caliper as alternate front caliper.	NA	Parts may not be interchanged between two engine units, Laycock "D" (0.802). 1493cc may use (2) 1.25" SU carbs on 1296cc. manifold @ 1830 lbs. NOTE: Roll cage for cars under 1500 lbs are acceptable for cars registered with SCCA before 4/1/82.
Turner 1500	13 x 6	4	(F) 229/(9.0) Disc (R) 216/(8.5) Drum	(F) 9.7 Disc (Spitfire)	NA	Hobbs mech-a-matic gearbox ratios: 1 = 3.78, 2 = 2.32, 3 = 1.46, 4 = 4.00. 125E crankshaft
Volkswagen Golf GTI (87-89)	15 x 7	5	Factory spec @ all 4 wheels.		35 (primary) 52 (secondary)	Comp. Ratio limited to 11.0:1, Valve lift limited to .450". Can use stock fuel tank if stock rear bumper and bumper support structure is retained.
Volkswagen Golf GTI (90-92)	15 x 7	5	Factory spec @ all 4 wheels.		NA	Comp. Ratio limited to 10.0:1, Valve lift limited to .330". Can use stock fuel tank if stock rear bumper and bumper support structure is retained.
Volkswagen Golf (GTI, GT, GL) (85-92)	15 x 7	5	(F) 239/(9.4) Disc (R) 180x30/(7.1x1.2) Drum	(F) 239/(9.4) Vented Disc (R) 239/(9.4) Disc	35 (primary) 52 (secondary)	Original carbureted manifold or alternate manifold is permitted. VW cyl. head #026103351BF or #026103265HX permitted. Can use stock fuel tank if stock rear bumper and bumper support structure is retained.
Volkswagen Golf III / Jetta III (93-98)	15 x 7	5	(F) 257/(10.1) Disc (R) 227/(8.9) Disc or 200mm drums		stock throttle body I.D.	Comp. Ratio limited to 12.0:1 Valve lift limited to .500". Can use stock fuel tank if stock rear bumper and bumper support structure is retained.
Volkswagen Golf IV/ Jetta IV (99-05)	15 x 7	5	(F) 282/(11.1x.74) Vented (R) 231/(9.1x.35) Solid			Comp. Ratio limited to 12.0:1, Valve lift limited to .500". Use of stock fuel tank allowed if stock rear bumper and bumper support structure retained.
Volkswagen Jetta (includes GLI) (82-84)	15 x 7	5	(F) 239/(9.4) Disc (R) 180x30/(7.1) Drum	(F) 239 Vented Disc	35 (primary) 52 (secondary)	Intake manifold unrestricted w/ single downdraft carburetor. VW cyl head 026103351BF, 026103265HX, 026103373G, AA, H, or F permitted.
Volkswagen Jetta (GLI, GL) (85-92)	15 x 7	5	(F) 239/(9.4) Disc (R) 180x30/(7.1) Drum	(F) 239 Vented Disc (R) 239 Disc	35 (primary) 52 (secondary)	Original carbureted manifold or alternate manifold is permitted. VW cyl. head #026103351BF or #026103265HX permitted. Can use stock fuel tank if stock rear bumper and bumper support structure is retained. VW cyl. heads 026103373G, AA, H and F permitted.
Volkswagen Rabbit (Includes Convertible)	13 x 7 15 x 7	5	(F) 239/(9.4) Disc (R) 180x30/(7.1) Drum 1457 and 1471: (R) 201/(7.9)	(F) 239 Vented Disc	35 (primary) 52 (secondary)	Intake manifold unrestricted w/ single downdraft carburetor. VW cyl head 026103373G, AA, H, or F permitted. Factory roll bar must be removed on Cabriolet.
Volkswagen Scirocco	13 x 7 15 x 7	5	(F) 239/(9.4) Disc (R) 180x30/(7.1) Drum	(F) 239 Vented Disc	35 (primary) 52 (secondary)	Intake manifold unrestricted w/ single downdraft carburetor. VW cyl head 026103373G, AA, H, or F permitted.

FP	Prep. Level	Weight (lbs)	Engine Type	Bore x Stroke mm/(in.)	Displ. cc/ (ci) (nominal)	Block Mat'l	Head/PN & Mat'l	Valves IN & EX mm/ (in.)	Carburetor. No. & Type	Wheel-base mm/ (in.)	Track (F/R) mm/(in.)
Volvo P-1800/E/S /1800ES Sports Coupe	1	1995	4 Cyl OHV	84.1 x 80.0 (3.31x3.15) 88.9 x 80.0 (3.50x3.15)	1780 1982	Iron	Iron	(I) 40.0/(1.57) (I) 41.9/(1.65) (I) 43.9/(1.73) (E) 35.0/(1.38)	(2) 1.75" SU, (2) 1.75" CDSE Stromberg (2) 1.75" SU HS6 or fuel injection.	2451 (96.5)	1407/1407 (55.4/55.4)
Volvo 142 / 142E	1	2050	4 Cyl OHV	88.9 x 80.0 (3.50x3.15)	1986 (121.1)	Iron	Iron	(I) 44.0/(1.73) (E) 35.0/(1.38)	(2) Auto-type sidedraft w/ 32mm choke(s) on I.R. manifold, or fuel injection.	2616 (103.0)	1415/1415 (55.7/55.7)

* Alternate transmission w/ stock type syncros

** Alternate transmission w/ non-stock type syncros (i.e. dog-ring)

FP	Wheels (max)	Trans. Speeds (max)	Brakes Std. mm/(in.)	Brakes Alt.: mm/(in.)	Fuel Injected Equipped Throttle Body Inside Diameter (mm) +/- .25mm	Notes:
Volvo P-1800/E/S /1800ES Sports Coupe	15 x 7	4	(F) 279/(11.0) Disc (R) 229/(9.0) Drum	(F) 10.7 Disc (R) 11.6 Disc	stock throttle body I.D.	Allow B20-E engine assembly
Volvo 142 / 142E	15 x 7	5	(F) 272/(10.7) Disc (R) 295/(11.6) Disc		stock throttle body I.D.	Bosch Fuel Injection

HP	Prep. Level	Weight (lbs)	Engine Type	Bore x Stroke mm/(in.)	Displ. cc/(ci) (nominal)	Block Mat'1	Head/PN & Mat'1	Valves IN & EX mm/(in.)	Carburetor. No. & Type	Wheelbase mm/(in.)	Track (F/R) mm/(in.)
Alfa Romeo Giulietta Sprint & Spider, 750 & 101, Normale (Spider) & Veloce (Super Spider)	1	2080	4 Cyl SOHC	73.9 x 74.9 (2.91x2.95)	1290	Alum	Alum	(I)37.1/(1.46) (E)34.0/(1.34)	(2) auto type 30mm side-drafts 2030 with downdraft solex	Sprint: 2380/(93.7) 750 Spider: (86.6) 101 Spider: (88.6)	1412/1387 (55.6/54.6)
Austin-Healey Sprite Mk I,II, III, IV MG Midget Mk I, II, III, IV	1	1420	4 Cyl OHV	63.0 x 76.2 (2.48x3.00)	948	Iron	Iron 2A629 12A185 12G202	(I) 25.4/(1.00) (E) 25.4/(1.00) (I) 29.5/(1.16)	(2) 1.25" SU or Stromberg	2032 (80.0)	1275/1237 (50.2/48.7)
Austin-Healey Sprite Mk I, II, III, IV MG Midget Mk I, II, III, IV & 1500	1/2 See Notes	1575	4 Cyl OHV	70.6 x 81.3 (2.78x3.20)	1275	Iron	Iron	(I) 33.0/(1.30) (E) 29.5/(1.16)	(2) 1.25" SU w/ no modifications	2032 (80.0)	1275/1237 (50.2/48.7)
Austin-Healey Sprite Mk I, II, III, IV MG Midget (ALL)	2	1445 *1481 **1517	4 Cyl OHV	70.6 x 81.3 (2.78x3.20)	1275	Iron	Iron	(I) 33.0/(1.30) (E) 29.5/(1.16)	(2) 1.25" SU w/ no modifications	2032 (80.0)	1275/1237 (50.2/48.7)
Austin-Healey Sprite Mk I, II, III, IV MG Midget (ALL)	2	1395 *1430 **1465	4 Cyl OHV	64.5 x 84.0 (2.54x3.31)	1098	Iron	Iron	(I) 31.0/(1.22) (E) 25.4/(1.00)	(2) 1.25" SU w/ no modifications	2032 (80.0)	1275/1237 (50.2/48.7)
Austin-Healey Sprite Mk I, II, III, IV MG Midget (ALL)	2	1510 * 1548 ** 1586	4 cyl OHV	73.7 x 87.4 (2.90x3.44)	1493 (91.11)	Iron	Iron	(I) 36.6/(1.44) (E) 29.7/(1.17)	Carburetion	2032 (80.0)	1275/1237 (50.2/48.7)
Austin-Healey Sprite Mk I, II, III, IV MG Midget (ALL)	1/2 See Notes	1655	4 cyl OHV	73.7 x 87.4 (2.90x3.44)	1493 (91.11)	Iron	Iron	(I) 36.6/(1.44) (E) 29.7/(1.17)	Carburetion	2032 (80.0)	1275/1237 (50.2/48.7)
Austin-Healey Sprite Mk.I, II, III, IV MG Midget Mk.I, II, III, IV, Midget 1500	1	1630	4 Cyl OHV	64.5 x 84.0 (2.54x3.31)	1098	Iron	Iron	(I) 33.0/(1.30) (E) 29.5/(1.16)	(2) 1.25" SU or Stromberg, (2) 1.50" SU or Stromberg, (2) 1.25" SU or Stromberg w/ 34mm throttle plates on original intake manifold, maximum spacer block (isolator) length of 1.25".	2032 (80.0)	1275/1237 (50.2/48.7)
BLMI Austin/Morris Mini-Cooper 1275	2	1385 * 1420 ** 1454	4 Cyl OHV	70.6 x 81.3 (2.78x3.20)	1275	Iron	Iron	(I) 35.5/(1.40) (E) 31.0/(1.22)	(1) 1.75" SU side draft (2) 1.25" SU side drafts	2037 (80.2)	1346/1346 (53.0/53.0)
BLMI Austin/Morris Mini Cooper	1/2 See Notes	1575	4 Cyl OHV	70.6 x 81.3 (2.78x3.20)	1275	Iron	Iron	(I) 33.0/(1.31) (I) 35.5/(1.40) (E) 29.5/(1.16) (E) 31.0/(1.22)	(2) 1.25" SU w/ no modifications, (1) 1.75" SU	2037 (80.2)	1346/1346 (53.0/53.0)
BMW 1600 (68-71)	2	1900 * 1948 ** 1995	4 Cyl OHV	84.0 x 71.0 (3.31x2.80)	1574	Iron	Alum	(I) 42.0/(1.65) (E) 35.0/(1.38)	Carburetion	2499 (98.4)	1435/1435 (56.5/56.5)

HP	Wheels (max)	Trans. Speeds (max)	Brakes Std. mm/(in.)	Brakes Alt.: mm/ (in.)	Fuel Injected Equipped Throttle Body Inside Diameter (mm) +/- .25mm	Notes:
Alfa Romeo Giulietta Sprint & Spider, 750 & 101, Normale (Spider) & Veloce (Super Spider)	15 x 7	4 or 5	(F) 262/(10.3) Drum (R)254/(10.0) Drum	(F) 10.6 Disc (girling), (R) 10.5 Drum, (F) 10.7 Disc	NA	Sebring headrest.
Austin-Healey Sprite Mk I,II, III, IV MG Midget Mk I, II, III, IV (948)	13 x 6	4	(F&R) 178/ (7.0) Drum	(F) 8.2 Disc (F) 9.12 Disc #208715, calipers: #27H, 27H-4651 (R) RH BTA 566, LH BTA567 backing plates (R)GWC1102 wheel cyls	NA	Mk.III transmission case permitted. Battery tray may be removed. Mk.I Body modification: Behind drivers seat rear deck only, width of shoulder or seat, depth 6" max. Sprite Mk I only may replace exterior rear body work, aft of the cockpit and rearmost door opening, with stock appearing components of an alternate material.
Austin-Healey Sprite Mk. I, II, III, IV MG Midget Mk I, II, III, IV & 1500	13 x 6	4	(F) 208/(8.2) Disc (R) 178/(7.0) Drum	(F) 9.12 Disc #208715, calipers: #27H, 27H-4651	NA	Compression ratio limited to 11.0:1, Valve lift limited to .450". Drivetrain Level 2 preparation only. Listed spec line weight does not change with alternate or stock transmission. Battery tray may be removed. Mk.I Body modification: Behind driver's seat rear deck only, width of shoulder or seat, depth 6" max. Sprite Mk I only may replace exterior rear body work, aft of the cockpit and rearmost door opening, with stock appearing components of an alternate material.
Austin-Healey Sprite Mk. I, II, III, IV MG Midget (ALL) (1275)	13 x 6	4	Factory Spec @ all 4 wheels	(F) 9.12 Disc #208715, calipers: #27H, 27H-4651	NA	Compression ratio limited to 11.0:1, Valve lift limited to .450". Mk.I Body modification: Behind driver's seat rear deck only, width of shoulder or seat, depth 6" max. Sprite Mk I only may replace exterior rear body work, aft of the cockpit and rearmost door opening, with stock appearing components of an alternate material.
Austin-Healey Sprite Mk.I, II, III, IV MG Midget (ALL) (1098)	13 x 6	4	Factory Spec @ all 4 wheels	(F) 9.12 Disc #208715, calipers: #27H, 27H-4651	NA	Compression ratio limited to 11.0:1, Valve lift limited to .450". Mk.I Body modification: Behind driver's seat rear deck only, width of shoulder or seat, depth 6" max. Sprite Mk I only may replace exterior rear body work, aft of the cockpit and rearmost door opening, with stock appearing components of an alternate material.
Austin-Healey Sprite Mk I, II, III, IV MG Midget (ALL) (1493)	13x6	4	Factory Spec @ all 4 wheels	(F) 9.12 Disc #208715, calipers: #27H, 27H-4651	N/A	Comp. Ratio limited to 11.0:1. Valve lift limited to .450". Alternate intake manifold, Pierce #J15-1952 allowed. Mk.I Body modification: Behind driver's seat rear deck only, width of shoulder or seat, depth 6" max. Sprite Mk I only may replace exterior rear body work, aft of the cockpit and rearmost door opening, with stock appearing components of an alternate material.
Austin-Healey Sprite Mk I, II, III, IV MG Midget (ALL) (1493)	13x6	4	Factory Spec @ all 4 wheels	(F) 9.12 Disc #208715, calipers: #27H, 27H-4651	N/A	Comp. Ratio limited to 11.0:1. Valve lift limited to .450". Drivetrain Level 2 preparation only. Alternate intake manifold, Pierce #J15-1952 allowed. Listed spec line weight does not change with alternate or stock transmission. Battery tray may be removed. Mk.I Body modification: Behind driver's seat rear deck only, width of shoulder or seat, depth 6" max. Sprite Mk I only may replace exterior rear body work, aft of the cockpit and rearmost door opening, with stock appearing components of an alternate material.
Austin-Healey Sprite Mk.I, II, III, IV MG Midget Mk.I, II, III, IV, Midget 1500	13 x 6	4	(F) 208/(8.2) Disc (R) 178/(7.0) Drum	(F) 9.12 Disc #208715, Calipers: #27H, 27H-4651	NA	Battery tray may be removed. Alt. crankshaft: Ferrous material, stock configuration & journal dimensions (no hollow core), max. undersize is 0.040". NOTE: Roll cage for cars under 1500 lbs are acceptable for cars registered with SCCA before 04/01/82. Mk.I Body modification: Behind driver's seat rear deck only, width of shoulder or seat, depth 6" max. Sprite Mk I only may replace exterior rear body work, aft of the cockpit and rearmost door opening, with stock appearing components of an alternate material.
BLMI Austin/Morris Mini-Cooper 1275	13 x 7	4	Factory Spec @ all 4 wheels		NA	Compression ratio limited to 11.0:1, Valve lift limited to .450". Alternate intake manifold (#CAM-6618).
BLMI Austin/Morris Mini Cooper	13 x 6	4	(F) 213/(8.4) Disc (R) 178/(7.0) Drum		NA	Compression ratio limited to 11.0:1, Valve lift limited to .450". Drivetrain Level 2 preparation only. Listed spec line weight does not change with alternate or stock transmission. Battery tray may be removed. Alternate intake manifold #CAM-6618.
BMW 1600 (68-71)	13 x 7	4	(F) 257/(10.1) Disc (R) 232/(9.1) Drum		NA	Compression ratio limited to 11.0:1, Valve lift limited to .450". Factory 2bbl intake manifold from 2002 is permitted. 40 DCN or DCNF with 32mm chokes permitted. (2) 40 DCOE sidedraft carbs w/ 32mm choke(s) permitted @ 2000 *2050 **2100. Alternate differential from 75-83 e21 allowed.

GCR - 525

9.1.5. HP Spec Lines

HP	Prep. Level	Weight (lbs)	Engine Type	Bore x Stroke mm/ (in.)	Displ. cc/ (ci) (nominal)	Block Mat'l	Head/PN & Mat'l	Valves IN & EX mm/ (in.)	Carburetor. No. & Type	Wheelbase mm/ (in.)	Track (F/R) mm/(in.)
BMW 318i/is E30 (84-85)	2	2200 * 2255 ** 2310	4 cyl SOHC	89.0 x 71.0 (3.50x2.80)	1797 (109.7)	Iron	Alum	(I) 44.0/(1.73) (E) 38.0/(1.50)	Fuel Injection	2570 (101.2)	1499/1506 (59.0/59.3)
Dodge Colt (79-84)	2	1850 * 1896 ** 1943	4 Cyl. SOHC	76.9 x 86.0 (3.03x3.39)	1597	Iron	Alum	(I) 38.3/(1.51) (E) 31.3/(1.23)	Carbureted	2301 (90.6)	1455/1445 (57.3/56.9)
Fiat 124 Spider, Sport Coupe & Coupe (95.3 wheelbase only)	1	2250	4 Cyl DOHC	80.0 x 71.4 (3.15x2.81)	1438	Iron	Alum	(I) 41.6/(1.64) (E) 35.5/(1.40)	(1) Weber 34 DFH-1, Weber 34 DMSA-1, or 34 DMS 201.	2283 (89.9)	1440/1407 (56.7/55.4)
Fiat 124 Sport Coupe & Spider (2281 wheelbase only)	2	2055 * 2106 ** 2158	4 Cyl DOHC	80.0 x 79.3 (3.15x3.12) 80.0 x 80.0 (3.15x3.15)	1592 1608	Alum	Alum	(I) 41.7/(1.64) (E) 36.3/(1.43)	(1) 40 DCNF w/ 32mm choke(s) req'd.	2281 (89.8) 2421 (95.3)	1440/1407 (56.7/55.4)
Fiat Spider & Racer (-1973)	1	1477	4 Cyl. OHV	65.0 x 63.0 (2.56x2.48) 65.0 x 68.1 (2.56x2.68)	843 903	Iron	Alum	(I) 29.2/(1.15) (E) 26.9/(1.06)	(1) 30 DICA, (1)Weber 4226434 (30/30), (1) 34 DMSA, (1) 32/36 DG Series	2027 (79.8)	49.5 / 51.
Fiat X-1/9 & Bertone 1500	2	1790 * 1835 ** 1880	4 Cyl SOHC	86.4 x 64.0 (3.40x2.52)	1498	Iron	Alum	(I) 36.3/(1.43) (E) 33.3/(1.31)	(1) 32 DTMR or 32 DATRA, or fuel injection. (1) 40 DCNF w/ 32mm choke(s) req'd.	2202 (86.7)	1430/1438 (56.3/56.6)
Fiat X-1/9 1300	2	1650 * 1691 ** 1733	4 Cyl SOHC	86.0 x 55.5 (3.39x2.19)	1290	Iron	Alum	(I) 36.3/(1.43) (E) 31.2/(1.23)	(1) 32 DTMR or 32 DATRA. (1) 40 DCNF w/ 32mm choke(s) req'd.	2202 (86.7)	1430/1438 (56.3/56.6)
Fiat X-1/9 1300	1	2060	4 Cyl SOHC	86.0 x 55.5 (3.39x2.19)	1290	Iron	Alum	(I) 36.3/(1.43) (E) 31.2/(1.23)	(1) Weber 32 DMTR w/ 32mm primary & secondary throttle bores, (1) 32 DATRA/100 w/ 32mm primary & secondary throttle bores, (1) 40 DCNF w/ 32mm choke(s).	2202 (86.7)	1430/1438 (56.3/56.6)
Fiat X-1/9 1500	1/2 See Notes	1950	4 Cyl SOHC	86.4 x 64.0 (3.40x2.52)	1498	Iron	Alum	(I) 36.3/(1.43) (E) 33.3/(1.31)	(1) 40 DCNF w/ 32mm choke(s), (1) 32 DTMR or 32 DATRA, or fuel injection	2202 (86.7)	1430/1438 (56.3/56.6)
Ford Cortina GT (64-68)	2	1790 * 1835 ** 1880	4 Cyl. OHV	81.0 x 77.7 (3.19x3.06)	1598 (97.5)	Iron	Iron	(I) 38.1/(1.50) (E) 29.5/(1.16)	32/36 DGV	2489 (98.0)	1450/1412 (57.1/55.6)
Ford Escort / Mercury Lynx (81-84)	1	2190	4 Cyl SOHC	80.0 x 79.5 (3.15x3.13)	1589	Iron	Alum	(I) 42.0/(1.65) (E) 37.0/(1.46)	(1) 40 DCN, DCNF, IDF w/ 32mmchoke(s), (2) auto type side draft w/ 28mm choke(s) on I.R. manifold	2395 (94.3)	1478/1511 (58.2/59.5)
Ford EXP (81-84)	1	2190	4 Cyl SOHC	80.0 x 79.5 (3.15x3.13)	1589	Iron	Alum	(I) 42.0/(1.65) (E) 37.0/(1.46)	(1) 40 DCN, DCNF, IDF w/ 32mmchoke(s), (2) auto type side draft w/ 28mm choke(s) on I.R. manifold	2395 (94.3)	1478/1511 (58.2/59.5)
Ford Fiesta (78-80)	2	1725 * 1768 ** 1811	4 Cyl OHV	81.0 x 78.0 (3.19x3.07)	1598	Iron	Iron	(I) 35.5/(1.40) (E) 33.8/(1.33)	(1) 40 DCN, DNCF, IDF w/32mm chokes. (2) automotive side draft w/30mm chokes @ 75 lbs. penalty.	2286 (90.0)	1422/1410 (56.0/55.5)

HP	Wheels (max)	Trans. Speeds (max)	Brakes Std. mm/(in.)	Brakes Alt.: mm/ (in.)	Fuel Injected Equipped Throttle Body Inside Diameter (mm) +/- .25mm	Notes:
BMW 318i/is E30 (84-85)	15x7	5	(F) 261/(10.3) Disc (R) 229/(9.0) Disc		Stock throttle body I.D.	Comp. Ratio limited to 11.0:1. Valve lift limited to .425". Trunk mounted fuel cell allowed.
Dodge Colt (79-84)	13 x 7	4	(F) 227/(8.9) disc (R) 229/(9.0) drum		NA	Compression ratio limited to 11.0:1, Valve lift limited to .450".
Fiat 124 Spider, Sport Coupe & Coupe (95.3 wheelbase only)	13 x 6.5	5	(F & R) 227/ (8.94) Disc	(F & R) 10.0 x .40 Disc (Lancia) Alt. rotor: #82346805.	NA	
Fiat 124 Sport Coupe & Spider (2281 wheelbase only)	13 x 6.5	5	Factory Spec @ all 4 wheels		NA	Compression ratio limited to 11.0:1, Valve lift limited to .425".
Fiat Spider & Racer (-1973)	13 x 6.5	4	(F) 226/(8.9) Disc (R) 185/(7.3) Drum	9.25 Disc Girling Calipers 82346805	NA	Aux. radiator mounted behind front spoiler w/ no mods to original bodywork. PBS 8-Port head (part # 850-8-P), Valves: (I) 31.0mm, (E) 27.0mm, Intake manifold (Part #850-8-PM) is required with alternate head. Carburetion (2) 40 DCOE w/ 28mm chokes, weight: 1527 lb. Alternate steering box or rack & pinion steering permitted. Fuel cell may be located in front trunk. Valve cover (Scuderia # 01-11) permitted for PBS head.
Fiat X-1/9 & Bertone 1500	13 x 6	5	Factory Spec @ all 4 wheels		stock throttle body I.D.	Compression ratio limited to 11.0:1, Valve lift limited to .450". Fuel cell may be located in front trunk. Orientation of the alternate carburetor is unrestricted. The alternate carb adapter may not be thicker than 1.25 inches. The adapter may have a bore larger than the throttle bore of the approved alternate carburetor.
Fiat X-1/9 1300	13 x 6	4	(F) 226/(8.9) (R) 226/(8.9)		NA	Compression ratio limited to 11.0:1, Valve lift limited to .450". Fuel cell may be located in front trunk. Orientation of the alternate carburetor is unrestricted. The alternate carb adapter may not be thicker than 1.25 inches. The adapter may have a bore larger than the throttle bore of the approved alternate carburetor.
Fiat X-1/9 1300	13 x 6	4	(F) 226/(8.9) (R) 226/(8.9)	(F & R) 10.0 x .40 Disc (Lancia)	NA	5 speed transmission from new "FP" model. Top panels may remain in place if securely bolted or pinned. Alt. Crankshaft: #4292177. Engine hatch rain tray may be removed. Trunk mounted fuel cell allowed. Orientation of the alternate carburetor is unrestricted. The alternate carb adapter may not be thicker than 1.25 inches. The adapter may have a bore larger than the throttle bore of the approved alternate carburetor.
Fiat X-1/9 1500	13 x 6	5	(F&R) 227/(8.9) Disc		NA	Compression ratio limited to 11.0:1, Valve lift limited to .450". <i>Drivetrain</i> Level 2 preparation only. Listed spec line weight does not change with alternate or stock transmission. Fuel cell may be located in front trunk. Orientation of the alternate carburetor is unrestricted. The alternate carb adapter may not be thicker than 1.25 inches. The adapter may have a bore larger than the throttle bore of the approved alternate carburetor.
Ford Cortina GT (64-68)	13 x 7	4	Factory Spec @ all 4 wheels			Compression ratio limited to 11.0:1, Valve lift limited to .450", 2 auto type side draft carbs w/ 32mm chokes allowed at the following weights: 1880, *1927, **1974.
Ford Escort / Mercury Lynx (81-84)	13 x 7	4	(F) 236/(9.3) Disc (R) 203/(8.0x1.3) Drum		NA	
Ford EXP (81-84)	13 x 7	4	(F) 236/(9.3) Disc (R) 203/ (8.0x1.3) Drum		NA	
Ford Fiesta (78-80)	13 x 7	4	(F) 221/(8.7) Disc (R) 178/(7.0) Drum		NA	Compression ratio limited to 11.0:1, Valve lift limited to .450".

HP	Prep. Level	Weight (lbs)	Engine Type	Bore x Stroke mm/ (in.)	Displ. cc/ (ci) (nominal)	Block Mat'1	Head/PN & Mat'1	Valves IN & EX mm/ (in.)	Carburetor. No. & Type	Wheelbase mm/ (in.)	Track (F/R) mm/(in.)
Ford Fiesta (11-16)	2	2026 * 2077 ** 2127	4 Cyl. DOHC	78.7 x 81.3 (3.10x3.20)	1598 (97.4)	Alum	Alum	(I) 30.2/(1.19) (E) 24.4/(0.96)	Fuel injection	2489 (98.0)	1572/1572 (61.9/61.9)
Ford Festiva (88-93)	2	1700 * 1743 ** 1785	4 Cyl SOHC	70.9 x 81.4 (2.79x3.29)	1324	Iron	Alum	(I) 32.0/(1.26) (E) 28.0/(1.10)	Fuel injection or Carburetion.	2291 (90.2)	1527/1511 (60.1/59.5)
Honda Civic	1	1920	4 Cyl OHV	72.0 x 76.0 (2.83x2.99)	1237	Iron	Alum	EB 1&2 (I) 34.0/(1.34) (E) 30.0/(1.18) EB 3 (I) 36.0/(1.42) (E)32.0/(1.26)	(1) 40 DCN, DCNF, IDF w/ 25mm choke(s)	2205 (86.8)	1364/1344 (53.7/52.9)
Honda Civic DX (92-95)	2	2420 * 2481 ** 2541	4 Cyl. SOHC	75.0 x 84.5 (2.95x3.33)	1493 (91.1)	Alum	Alum	(I) 29.0/(1.14) (E) 25.0/(0.98)	Fuel injection	2/4 door: 2621/(103.2) 3 door: 2573/(101.3)	1582/1572 (62.3/61.9)
Honda Civic/Si (84-87)	2	1900 * 1948 ** 1995	4 Cyl SOHC	74.0 x 86.5 (2.91x3.41)	1488	Alum	Alum	(I) 27.1/(1.07) (E) 33.1/(1.30)	Fuel injection or Carburetion.	2380 (93.7)	1557/1567 (61.3/61.7)
Honda Civic 1.5 (88-91)	2	2245 *2301 **2357	4 Cyl SOHC	75.0 x 84.5 (2.95x3.33)	1493	Alum	Alum	(I) 29.1/(1.15) (E) 25.1/(0.99)	Fuel injection	2499 (98.4)	1557/1567 (61.3/61.7)
Honda CRX/Si (84-87)	2	1900 * 1948 ** 1995	4 Cyl SOHC	74.0 x 86.5 (2.91x3.41)	1488	Alum	Alum	(I) 27.1/(1.07) (E) 33.1/(1.30)	Fuel injection or Carburetion.	2200 (86.6)	1557/1567 (61.3/61.7)
Honda CRX 1.5 (88-91)	2	2245 *2301 **2357	4 Cyl SOHC	75.0 x 84.5 (2.95x3.33)	1493	Alum	Alum	(I) 29.1/(1.15) (E) 25.1/(0.99)	Fuel injection	2301 (90.6)	1557/1567 (61.3/61.7)
Honda Fit (07-08)	2	1970 *2019 **2069	4 Cyl SOHC	73.0 x 89.4 (2.87x3.52)	1497	Alum	Alum	(I) 27.7/(1.09) (E) 23.2/(0.91)	Fuel Injection	2451 (96.5)	1562/1557 (61.5/61.3)
Honda Fit (09-13)	2	1970 *2019 **2069	4 Cyl. SOHC	73.0 x 89.4 (2.87x3.52)	1497	Alum	Alum	(I) 28.2/(1.11) (E) 23.2/(0.91)	Fuel injection	2499 (98.4)	1600/1582 (63.0/62.3)
Honda Fit (15-19)	2	2250 * 2306 ** 2363	4 Cyl. DOHC	73.1 x 89.7 (2.88x3.53)	1498 (91.4)	Alum	Alum	(I) 29.2/(1.15) (E) 25.1/(0.99)	Fuel injection Throttle Bore 2.06"	2530 (99.6)	1590/1572 (62.6/61.9)

HP	Wheels (max)	Trans. Speeds (max)	Brakes Std. mm/(in.)	Brakes Alt.: mm/ (in.)	Fuel Injected Equipped Throttle Body Inside Diameter (mm) +/- .25mm	Notes:
Ford Fiesta (11-16)	15 x 7	5	(F) 259/(10.2) Vented (R) 203/(8.0) Drum			Compression ratio limited to 11.0:1, Valve lift limited to .390". Mazda front hub D651-33-06 and rear hub D651-26-15XE allowed.
Ford Festiva (88-93)	13 x 7	4 or 5	(F) 219/(8.6) Solid Disc (R) 170/(6.7) Drum		stock throttle body I.D.	Compression ratio limited to 10.5:1. Valve lift limited to .450".
Honda Civic	13 x 6	4 or 5	(F) 229/(9.0) Disc (R) 178/(7.0x1.4) Drum	Brake Calipers: RF #45210-663- 674 LF #45230-663- 674	NA	Orientation of the alternate carburetor is unrestricted. The alternate carburetor adaptor may not be thicker than 1.25". The adaptor may have a bore larger than the throttle bore of the approved alternate carburetor.
Honda Civic DX (92-95)	13 x 6	5	(F) 240x21/ (9.4x.83) Vented (R) 180/(7.1) Drum			Compression ratio limited to 11.0:1, Valve lift limited to .390".
Honda Civic/Si (84-87)	13 x 6	5	(F) 231/(9.1) Disc (R) 180/(7.1) Drum		33 (primary) 42 (secondary)	Compression ratio limited to 11.0:1, Valve lift limited to .390".
Honda Civic 1.5 (88-91)	13 x 6	5	(F) 231/(9.1) Disc (R) 180/(7.1) Drum		42	Compression ratio limited to 11.0:1, Valve lift limited to .390".
Honda CRX/Si (84-87)	13 x 6	5	(F) 231/(9.1) Disc (R) 180/(7.1) Drum		33 (primary) 42 (secondary)	Compression ratio limited to 11.0:1, Valve lift limited to .390".
Honda CRX 1.5 (88-91)	13 x 6	5	(F) 231 Disc (R) 180 Drum		42	Compression ratio limited to 11.0:1, Valve lift limited to .390".
Honda Fit (07-08)	15 x 7	5	(F) 262/(10.3) Vented (R) 201/(7.9) Dum		45	Compression ratio limited to 11.0:1, Valve lift limited to .390".
Honda Fit (09-13)	15 x 7	5	(F) 262/(10.3) Vented (R) 201/(7.9) Dum		NA	Compression ratio limited to 11.0:1, Valve lift limited to .390".
Honda Fit (15-19)	15 x 7	6	(F) 262/ (10.3x.83) Vented (R) 201/ (7.9x.1.57) Drum			Comp. Ratio limited to 11.5:1, Valve lift limited to .425"

GCR - 529

HP	Prep. Level	Weight (lbs)	Engine Type	Bore x Stroke mm/(in.)	Displ. cc/(ci) (nominal)	Block Mat'1	Head/PN & Mat'1	Valves IN & EX mm/(in.)	Carburetor. No. & Type	Wheelbase mm/(in.)	Track (F/R) mm/(in.)
Kia Rio 5 (12-14)	2	2350 * 2409 ** 2468	4 Cyl. DOHC	77.0 x 85.3 (3.03x3.36)	(97.1)	Iron	Alum	(I) 31.5/(1.24) (E) 25.9/(1.02)	Fuel injection Throttle Bore 2.36"	2570 (101.2)	1631/1633 (64.2/64.3)
Lotus 7 & 7 America	1	1400	4 Cyl OHV	63.0 x 76.2 (2.48x3.00)	948	Iron	Iron	(I) 29.5/(1.16) (E) 29.4/(1.00)	Two (2) 1.25" or 1.125" SU or Stromberg	2235 (88.0)	1308/1334 (51.5/52.5)
Mazda GLC (FWD)	1	2075	4 Cyl SOHC	77.0 x 80.0 (3.03x3.15)	1490	Iron	Alum	(I) 36.0/(1.42) (E) 31.0/(1.22)	(1) 40 DCN, DCNF, IDF w/ 32mm choke(s)	2365 (93.1)	1478/1483 (58.2/58.4)
Mazda GLC (77-80) (RWD)	1	1825	4 Cyl SOHC	72.9 x 75.9 (2.87x2.99)	77.6	Iron	Alum	(I) 35.5/(1.40) (E) 31.0/(1.22)	(1) 40 DCN, (1) 40 DCNF, (1) 40 IDF, (1) 32/38 DGV, (1) 32/36 DGVA, 26mm chokes	2314 (91.1)	1359/1130 (53.5/44.5)
Mazda 2 (11-14)	2	1920 *1968 **2016	4 Cyl. DOHC	78.0 x 78.4 (3.07x3.09)	1499	Alum	Alum	(I) 29.2/(1.15) (E) 25.9/(1.02)	Fuel injection 45mm throttle body	2286 (90.0)	1590/1580 (62.6/62.2)
Mazda 626 (84-87)	2	2300 * 2358 ** 2415	4 Cyl SOHC	86.0 x 86.0 (3.39x3.39)	1998 (121.9)	Iron	Alum	(I) 44.0/(1.73) (E) 36.0/(1.42)	Carburation or fuel injection	2510 (98.8)	1537/1532 (60.5/60.3)
MGB & MGB-GT	2	2000 * 2050 ** 2100	4 Cyl OHV	78.7 x 88.9 (3.10x3.50)	1798	Iron	Iron	(I) 41.4/(1.63) (E) 34.3/(1.35)	(2) 1.50" SU	2311 (91.0)	1346/1351 (53.0/53.2)
<i>MGB & MGB-GT</i>	<i>1/2</i>	<i>2175</i>	<i>4 Cyl OHV</i>	<i>80.3 x 88.9 (3.16x3.50)</i>	<i>1798</i>	<i>Iron</i>	<i>Iron</i>	<i>(I) 41.4/(1.63) (E) 34.3/(1.35)</i>	<i>(2) 1.50" SU</i>	<i>2311 (91.0)</i>	<i>1346/1351 (53.0/53.2)</i>
Mini Cooper (02-06) (includes 05-08 convertible)	2	2080 * 2132 ** 2184	4 Cyl SOHC	77.0 x 85.8 (3.03x3.38)	1598	Iron	Alum	(I) 30.3/(1.19) (E) 23.3/(0.92)	Fuel injection	2466 (97.1)	1565/1572 (61.6/61.9)
Mini Cooper (07-13) (includes 09-15 convertible and 12-15 Coupe)	2	2130 * 2183 ** 2236	4 Cyl SOHC	77.0 x 85.8 (3.03x3.38)	1598	Iron	Alum	(I) 28.8/(1.13) (E) 26.3/(1.04)	Fuel Injection	2466 (97.1)	1565/1575 (61.6/62.0)

HP	Wheels (max)	Trans. Speeds (max)	Brakes Std. mm/(in.)	Brakes Alt.: mm/ (in.)	Fuel Injected Equipped Throttle Body Inside Diameter (mm) +/- .25mm	Notes:
Kia Rio 5 (12-14)	15 x 7	6	(F) 284/ (11.2x0.87) Vented (R) 249/ (9.8x39.0) solid			Compression ratio limited to 11.0:1, Valve lift limited to .390"
Lotus 7 & 7 America	13 x 6	4	(F) 203/(8.0) Drum (R) 178/(7.0) Drum	COA-B405/6 front 9.0 disc brake kit	NA	Front track w/alternate front brakes : 51.8", Authorized frame modification: Info. Available from SCCA. BMC Mk. III transmission case w/948cc. Headlights and associated hardware may be removed. Manifold unrestricted for 2 SU carbs. Wood floorboards may be replaced with metal. rear edge of the front fenders is to be 4.5" above the body undertray. Series 4 axle housing is permitted. Suspension components can pass through exterior bodywork. Front fenders may be modified as described here. The fender mounting flange shall be a minimum of 50 inches in length. At the rear of the fender, the lower edge of the mounting flange shall extend no higher than 4-1/2 inches above the undertray of the vehicle. At a point 6 inches rearward from the front of the flange, the fender shall be no narrower than 16-7/8 inches as measured along the upper curvature. At a point 18 inches rearward from the front of the flange, the fender shall be no narrower than 7 inches along the upper curvature and from 34 inches to 48 inches, the fender shall be no less than 3" inches along the upper curvature. From 48 inches rearward, a radius may provide a transition between the outer and the rearmost fender edges. The contours resulting from this modification shall be gradual and describe a smooth curve in plain view. A diagram is available from SCCA. No further modifications are allowed.
Mazda GLC (FWD)	13 x 7	5	(F) 226/(8.9) Disc (R) 180/ (7.1x1.2) Drum		NA	Orientation of the alternate carburetor is unrestricted.
Mazda GLC (77-80) (RWD)	13 x 6	4 or 5	(F) 208/(8.2) (R) 203/ (8.0x1.3) Drum			Rear end housing from 1979-1985 RX-7 allowed.
Mazda 2 (11-14)	15 x 7	5	(F) 259/(10.2) (R) 201/(7.9)		NA	Compression ratio limited to 11.0:1, Valve lift limited to .390".
Mazda 626 (84-87)	15x7	5	(F) 254/(10.0) Solid Disc (R) 231/(9.1) Drum		Stock throttle body I.D.	Comp. Ratio limited to 11.0:1, Valve lift limited to .425".
MGB & MGB-GT	15 x 7	4	(F) 273(10.07) Disc (R) 254/(10.0) Drum		NA	Compression ratio limited to 11.0:1, Valve lift limited to .450".
<i>MGB & MGB-GT</i>	<i>15x7</i>	<i>4</i>	<i>(F) 273/(10.7) Disc (R) 254/ (10.0) Drum</i>		<i>N/A</i>	<i>Comp. Ratio limited to 11.0:1. Valve lift limited to .450".</i>
Mini Cooper (02-06) (includes 05-08 convertible)	15 x 7	5	(F) 276/(10.9) Vented Disc (R) 239/(9.4) Solid Disc		stock throttle body I.D.	Compression ratio limited to 10.6:1, Valve lift limited to .450".
Mini Cooper (07-13) (includes 09-15 convertible and 12-15 Coupe)	15 x 7	6	(F) 280/(11.0) (R) 259/(10.2)		NA	Compression ratio limited to 11.0:1, Valve lift limited to .450".

HP	Prep. Level	Weight (lbs)	Engine Type	Bore x Stroke mm/(in.)	Displ. cc/(ci) (nominal)	Block Mat'1	Head/PN & Mat'1	Valves IN & EX mm/(in.)	Carburetor. No. & Type	Wheelbase mm/(in.)	Track (F/R) mm/(in.)
Nissan/Datsun 1200	1	1660	4 Cyl OHV	73.0 x 76.0 (2.87x2.99)	1171	Iron	Alum	(I) 35.0/(1.38) (E) 29.0/(1.14)	(1) 40 DCN, DCNF, IDF, w/ 30mm choke(s), (2) auto type side draft w/ 30mm choke(s) on I.R. manifold.	2301 (90.6)	1359/1308 (53.5/51.5)
Nissan/Datsun 210 (79-82)	2	1850 * 1896 ** 1943	4 Cyl OHV	76.0 x 77.0 (2.99x3.03) 76.0 x 82.0 (2.99x3.23)	1397 1488	Iron	Alum	(I) 37.2/(1.46) (E) 30.0/(1.18) (I) 35.0/(1.38) (E) 30.0/(1.18)	(1) 40 DCNF, DCN, IDF w/ 28mm choke(s)	2339 (92.1)	1422/1389 (56.0/54.7)
Nissan/Datsun 210 1.4	1	2050	4 Cyl OHV	76.0 x 77.0 (2.99x3.03)	1397	Iron	Alum	(I) 37.2/(1.46) (E) 30.0/(1.18)	(1) 40 DCN, DCNF, IDF w/ 30mm choke(s), (2) auto type side draft w/ 30mm choke(s) on I.R. manifold.	2339 (92.1)	1422/1389 (56.0/54.7)
Nissan/Datsun B-210 1.4	1	2050	4 Cyl OHV	76.0 x 77.0 (2.99x3.03)	1397	Iron	Alum	(I) 37.2/(1.46) (E) 30.0/(1.18)	(1) 40 DCN, DCNF, IDF w/ 30mm choke(s), (2) auto type side draft w/ 30mm choke(s) on I.R. manifold.	2339 (92.1)	1339/1308 (52.7/51.5)
Nissan/Datsun PL510	2	1910 * 1958 ** 2006	4 Cyl SOHC	83.0 x 73.7 (3.27x2.90)	1595	Iron	Alum	(I) 41.9/(1.65) (E) 33.0/(1.30)	(1) 40 DCN, DCNF w/ 32mm choke(s), . or (1) 36mm DCNVH. (2) auto type side draft(s) w/ 32mm choke(s) on I.R. manifold @ 90lbs penalty.	2421 (95.3)	1384/1384 (54.5/54.5)
Nissan Sentra (91-94)	2	2050 * 2101 ** 2153	4 Cyl DOHC	76.0 x 88.0 (2.99x3.46)	1597	Iron	Alum	(I) 30.0/(1.18) (E) 24.0/(0.94)	Fuel injection	2413 (95.0)	1552/1527 (61.1/60.1)
Opel GT	1	1595	4 Cyl OHV	74.9 x 61.0 (2.95x 2.40)	1078	Iron		(I) 32.0/(1.26) (E) 26.9/(1.06)	(2) Solex 35 PDSI-2	2431 (95.7)	1346/1372 (53.0/54.0)
Plymouth Arrow (76-80)	2	1800 * 1845 ** 1890	4 cyl OHV	77.0 x 86.1 (3.03x3.39)	1598 (97.52)	Iron	Alum	(I) 38.0/(1.50) (E) 32.4/(1.28)	(1) 40 DCN, DNCF, IDF w/32mm chokes	2339 (92.1)	1300/1270 (51.2/50.0)
Porsche 914-4 (1.8L)	2	2100 *2153 **2205	4 Cyl OHV	93.0 x 66.0 (3.66x2.60)	1795	Alum	Alum	(I) 40.9/(1.61) (E) 34.0/(1.34)	Fuel injection	2451 (96.5)	1435/1476 (56.5/58.1)

HP	Wheels (max)	Trans. Speeds (max)	Brakes Std. mm/(in.)	Brakes Alt.: mm/ (in.)	Fuel Injected Equipped Throttle Body Inside Diameter (mm) +/- .25mm	Notes:
Nissan/Datsun 1200	13 x 6	4	(F) 213/(8.4) Disc (R) 203/ (8.0x1.38) Drum	Nissan/Datsun 240Z/260Z/280Z front rotors and calipers and rear aluminum drums are permitted.	NA	Alternate differential assy: H165 The alternate carburetor adaptor may not be thicker than 1.25 inches. The adaptor may have a bore larger than the throttle bore of the approved alternate carburetor.
Nissan/Datsun 210 (79-82)	13 x 6	4 or 5	Factory Spec @ all 4 wheels	Nissan/Datsun 240Z/260Z/280Z front rotors and calipers and rear aluminum drums are permitted.	NA	Compression ratio limited to 10.5:1, Valve lift limited to .450". Alternate differential assembly: H165. Alternate engine permitted with Bore and Stroke: 75mm/70mm, Displacement: 1237cc, Valve Diameters: IN 35.0 mm, EX 30.0 mm.
Nissan/Datsun 210 1.4	13 x 7	4 or 5	(F) 246/(9.7) Disc (R) 203/ (8.0x1.38) Drum	(F) 254 Vented Disc (R) 270 Solid Disc Discs and calipers from 80-83 200SX Nissan/Datsun 240Z/260Z/280Z front rotors and calipers and rear aluminum drums are permitted.	NA	Alternate differential assembly: H165, H190.
Nissan/Datsun B-210 1.4	13 x 7	4 or 5	(F) 246/(9.7) Disc (R) 203/ (8.0x1.38) Drum	Nissan/Datsun 240Z/260Z/280Z front rotors and calipers and rear aluminum drums are permitted.	NA	Alternate differential assembly: H165, H190.
Nissan/Datsun PL510	13 x 7	4	(F) 231/(9.1) Disc (R) 229/(9.0) Drum	Nissan/Datsun 240Z/260Z/280Z front rotors and calipers and rear aluminum drums are permitted.	NA	Compression ratio limited to 12.0:1, Valve lift limited to .450".
Nissan Sentra (91-94)	15x7	5	(F) 238/(9.4) Solid Disc (R) 180/(7.1) Drum		NA	Compression ratio limited to 11.0:1, Valve lift limited to .400.
Opel GT	13 x 6.5	4	(F) 239/(9.4) Disc (R) 201/(7.9) Drum	(F) 9.6 Disc #90000182 (R) 9.6 Disc 9280751 Calipers (L) 90000183 (R) 90000184	NA	
Plymouth Arrow (76-80)	13x6		(F) 229/(9.0) Disc (R) 229/(9.0) Disc		N/A	Comp. Ratio limited to 11.0:1. Valve lift limited to .450".
Porsche 914-4 (1.8L)	15 x 7	5	(F) 280/(11.0) Disc (R) 282/(11.1) Disc		stock throttle body I.D.	Compression ratio limited to 10.5:1, Valve lift limited to .450". Cylinder barrels of alternate material are permitted. A 2-stage dry sump is allowed, but it must be cam-driven only and mounted in the same location as the OEM oil pump.

HP	Prep. Level	Weight (lbs)	Engine Type	Bore x Stroke mm/ (in.)	Displ. cc/ (ci) (nominal)	Block Mat'l	Head/PN & Mat'l	Valves IN & EX mm/ (in.)	Carburetor. No. & Type	Wheelbase mm/ (in.)	Track (F/R) mm/(in.)
Porsche 924 (76-84)	2	2400 * 2460 ** 2520	4 cyl SOHC	86.5 x 84.4 (3.41x3.32)	1984 (121.1)	Iron	Alum	(I) 40.0/(1.57) (E) 33.0 /1.30	Fuel injection	2400 (94.5)	1420/1392 (55.9/54.8)
Renault Alliance 1.4	1	1935	4 Cyl. OHV	76.0 x 77.0 (2.99x3.03)	1397	Iron	Alum	(I) 34.2/(1.35) (E) 30.3/(1.19)	(1) 40 DCN, DCNF, IDF w / 32mm choke(s), or Weber 32 mm drt down draft carb or fuel injection	2484 (97.8)	1466/1405 (57.7/55.3)
Renault Alliance / Encore 1.7 (84-87)	2	1800 * 1845 ** 1890	4 Cyl SOHC	81.0 x 83.5 (3.19x3.29)	1721	Iron	Alum	(I) 38.1/(1.50) (E) 32.5/(1.28)	Fuel injection	2484 (97.8)	1491/1430 (58.7/56.3)
Renault LeCar/R5 (76-82)	1	1990	4 Cyl. OHV	76.0 x 77.0 (2.99x3.03)	1397	Iron	Alum	(I) 34.2/(1.35) (E) 30.3/(1.19)	(1) 40 DCN, DCNF, IDF w / 32mm choke(s)	(L) 2433 (95.8) (R) 2402	1399/1316 (52.7/51.8)
Suzuki Swift GA 1.3L (89-94)	2	1600 * 1640 ** 1680	4 Cyl. SOHC	74.0 x 75.5 (2.91x2.97)	1298	Alum	Alum	(I) 36.0/(1.42) (E) 30.0/(1.18)	Fuel injection	2266 (89.2)	1483/1458 (58.4/57.4)
Toyota Corolla (71-74)	2	1960 * 2009 ** 2058	4 Cyl. OHV	85.0 x 70.0 (3.35x2.76)	1588	Iron	Alum	(I) 41.0/(1.61) (E) 36.0/(1.42)	Carburetion	2334 (91.9)	1384/1410 (54.5/55.5)
Toyota Corolla (84-87)	2	2300 * 2358 ** 2415	4 Cyl. DOHC	81.2 x 77.0 (3.20x3.03)	1586 (96.8)	Iron	Alum	(I) 30.7/(1.21) (E) 25.9/(1.02)	Fuel injection Throttle Bore 1.81"	2400 (94.5)	1458/1450 (57.4/57.1)
Toyota Corolla GTS (RWD) (84-87)	2	2300 * 2358 ** 2415	4 cyl DOHC	81.2 x 77.0 (3.20x3.03)	1586 (96.8)	Iron	Alum	(I) 30.7/(1.21) (E) 25.9/(1.02)	Fuel Injection	2400 (94.5)	1458/1450 (57.4/57.1)
Toyota Corolla FX16 (FWD) (87-88)	2	2260 * 2317 ** 2373	4 cyl DOHC	81.2 x 77.0 (3.20x3.03)	1586 (96.8)	Iron	Alum	(I) 30.7/(1.21) (E) 25.9/(1.02)	Fuel Injection	2430 (95.7)	1445/1425 (56.9/56.1)
Toyota MR-2 1.6L (85-89)	2	2300 * 2358 ** 2415	4 Cyl. DOHC	81.0 x 77.0 (3.19x3.03)	1587	Iron	Alum	(I) 30.7/(1.21) (E) 26.0/(1.02)	Fuel injection	2319 (91.3)	1547/1547 (60.9/60.9)
Toyota Starlet (81-84)	2	1650 * 1691 ** 1732	4 Cyl. OHV	75.0 x 73.0 (2.95x2.87)	1290	Iron	Alum	(I) 36.0/(1.42) (E) 29.0/(1.14)	Fuel injection	2301 (90.6)	1392/1377 (54.8/54.2)
Toyota Yaris (06-11)	2	2100 *2153 **2205	4 Cyl. DOHC	74.9 x 84.6 (2.95x3.33)	1496	Alum	Alum	(I) 30.5/(1.20) (E) 25.5/(1.00)	Fuel injection	2461 (96.9)	1577/1567 (62.1 /61.7)
Toyota Yaris Sedan (07-12)	2	2100 *2153 **2205	4 Cyl. DOHC	74.9 x 84.6 (2.95x3.33)	1496	Alum	Alum	(I) 30.5/(1.20) (E) 25.5/(1.00)	Fuel injection	2550 (100.4)	1577/1567 (62.1 /61.7)

HP	Wheels (max)	Trans. Speeds (max)	Brakes Std. mm/(in.)	Brakes Alt.: mm/(in.)	Fuel Injected Equipped Throttle Body Inside Diameter (mm) +/- .25mm	Notes:
Porsche 924 (76-84)	15x7	5	(F) 282 (11.1) Vented Disc (R) 290 (11.4) Vented Disc		Stock throttle body I.D.	Comp. Ratio limited to 11.0:1. Valve lift limited to .425". Can use the stock fuel tank if stock rear bumper and bumper support structure is retained.
Renault Alliance 1.4	13 x 7	5	(F) Disc (R) Drum		stock throttle body I.D.	
Renault Alliance / Encore 1.7 (84-87)	15 x 7	5	Factory Spec @ all 4 wheels		stock throttle body I.D.	Compression ratio limited to 10.5:1, Valve lift limited to .450".
Renault LeCar/R5 (76-82)	13 x 6	4	(F) 228/(9.0) Disc (R) 180/(7.1) Drum		NA	
Suzuki Swift GA 1.3L (89-94)	13 x 7	5	Factory Spec @ all 4 wheels		stock throttle body I.D.	Compression ratio limited to 11.0:1, Valve lift limited to .450".
Toyota Corolla (71-74)	13 x 7	4 or 5	(F) 229/(9.0) Disc (R) 231/(9.1) Drum	(F) 10.47 x .49 Solid Disc (Rotors and Calipers from 73 Corona)	NA	Compression ratio limited to 12.0:1, Valve lift limited to .450". (2) auto type side drafts w/ 32mm choke(s) allowed at 2050 (*2101 **2153). Weber 40DCNF carburetor with 32 mm chokes allowed. Rear axle housing from the 84-87 Corolla is permitted.
Toyota Corolla (84-87)	15 x 7	5	(F) 234/ (9.2x.71) Vented (R) 231/ (9.1x.34) Solid			Comp. Ratio limited to 11.0:1, Valve lift limited to .400"
Toyota Corolla GTS (RWD) (84-87)	15x7	5	(F) 234/(9.2) Vented Disc (R) 231(9.1) Solid Disc		46	Comp. Ratio limited to 11.0:1. Valve lift limited to .400".
Toyota Corolla FX16 (FWD) (87-88)	15x7	5	(F) 243 (9.6) Vented Disc (R) 242 (9.5) Solid Disc		46	Comp. Ratio limited to 11.0:1. Valve lift limited to .400".
Toyota MR-2 1.6L (85-89)	15 x 7	5	Factory spec @ all 4 wheels		stock throttle body I.D.	Compression ratio limited to 11:1, Valve lift limited to .400". Trunk mounted fuel cell with no larger capacity than stock is permitted. Can use stock fuel tank.
Toyota Starlet (81-84)	13 x 7	5	(F) 225/(8.9) Disc (R) Drum		NA	Compression ratio limited to 11.0:1, Valve lift limited to .450".
Toyota Yaris (06-11)	15 x 7	5	(F) 255/(10.0) Disc (R) 200/(7.9) Drum		NA	Compression ratio limited to 11.0:1, Valve lift limited to .390".
Toyota Yaris Sedan (07-12)	15 x 7	5	(F) 255/(10.0) Disc (R) 200/(7.9) Drum		NA	Comp. Ratio limited to 11.0:1, Valve lift limited to .390"

HP	Prep. Level	Weight (lbs)	Engine Type	Bore x Stroke mm/ (in.)	Displ. cc/ (ci) (nominal)	Block Mat'l	Head/PN & Mat'l	Valves IN & EX mm/ (in.)	Carburetor. No. & Type	Wheelbase mm/ (in.)	Track (F/R) mm/(in.)
Toyota Yaris (12-18)	2	2100 * 2153 ** 2205	4 Cyl. DOHC	74.9 x 84.6 (2.95x3.33)	1496	Alum	Alum	(I) 30.5/(1.20) (E) 25.5/(1.00)	Fuel injection	2510 (98.8)	1590/1577 (62.6/62.1)
Triumph Spitfire Mk. I & II	1	1750	4 Cyl. OHV	69.3 x 76.2 (2.73x3.00)	1147	Iron	Iron	(I) 33.0/(1.30) (E) 29.2/(1.15)	(2) 1.25" SU or Stromberg	2108 (83.0)	1346/1318 (53.0/51.9)
Triumph Spitfire	2	1560 * 1599 ** 1638	4 Cyl OHV	73.7 x 76.0 (2.90x2.99)	1296	Iron	Iron	(I) 33.0/(1.30) (E) 29.7/(1.17)	Carburetion	2108 (83.0)	1361/1336 (53.6/52.6)
Triumph Spitfire 1500	2	1605 * 1645 ** 1685	4 Cyl OHV	73.7 x 87.4 (2.90x3.44)	1493	Iron	Iron	(I) 35.5/(1.40) (E) 29.7/(1.17)	Carburetion	2108 (83.0)	1361/1387 (53.6 /54.6)
Triumph Spitfire Mk. III & IV 1500	1/2 See Notes	1296cc: 1705 1493cc: 1750	4 Cyl OHV	73.7 x 76.0 (2.90x2.99) 73.7 x 87.4 (2.90x3.44)	1296 1493	Iron	Iron	(I) 33.0/(1.30) (E) 29.7/(1.17) 1500 (I) 35.5/(1.40) (E) 29.7/(1.17)	Carburetion	2108 (83.0)	1361/1336 (53.6/52.6) 1500 1361/1387 (53.6/54.6)
Volkswagen Beetle (New) (98-05)	2	2350 * 2409 ** 2468	4 cyl SOHC	82.5 x 92.5 (3.25x3.63)	1984 (121.1)	Iron	Alum	(I) 39.5/(1.56) (E) 32.9/(1.30)	Fuel Injection	2515 (99.0)	1615/1594 (63.6/62.8)
Volkswagen Golf (GTI, GT, GL) (85-92)	2	2100 * 2153 ** 2205	4 Cyl SOHC	81.0 x 86.4 (3.19x3.40)	1780	Iron	Alum	(I) 40.0/(1.57) (E) 33.0/(1.30)	Fuel injection	2471 (97.3)	2537/1529 (60.5/60.2)
Volkswagen Golf III / Jetta III (93-98)	2	2325 * 2383 ** 2441	4 Cyl SOHC	82.5 x 92.3 (3.25x3.63)	1984 (121.1)	Iron	Alum	(I) 39.5/(1.56) (E) 32.9/(1.30)	Fuel injection	2471 (97.3)	1585/1567 (62.4/61.7)
Volkswagen Jetta (GLI, GL) (85-92)	2	2100 * 2153 ** 2205	4 Cyl SOHC	81.0 x 86.4 (3.19x3.40)	1780	Iron	Alum	(I) 40.0/(1.57) (E) 33.0/(1.30)	Fuel injection	2471 (97.3)	2537/1529 (60.5/60.2)
Volkswagen Rabbit Cabriolet 1780	2	2100 * 2153 ** 2205	4 Cyl OHV	81.0 x 86.4 (3.19x3.40)	1780	Iron	Alum	(I) 40.0/(1.57) (E) 33.0/(1.30)	Fuel Injection	2401 (94.5)	1496/1453 (58.9/57.2)
Volkswagen Rabbit 1588 (includes Cabriolet / convertible)	2	1735 * 1778 ** 1822	4 Cyl SOHC	79.5 x 80.0 (3.13x3.15)	1588	Iron	Alum	(I) 34.0/(1.34) (E) 31.0/(1.22)	(1) 40 DCN, DCNF w/ 32mm choke(s), fuel injection. (2) auto type side draft(s) w/ 32mm chokes at 90lbs penalty.	2401 (94.5)	1496/1453 (58.9/57.2)
Volkswagen Rabbit 1715 (81-84) (excl. conv.)	2	1910 * 1958 ** 2006	4 Cyl SOHC	79.5 x 86.4 (3.13x3.40)	1715	Iron	Alum	(I) 34.0/(1.34) (E) 31.0/(1.22)	Fuel injection	2401 (94.5)	1496/1453 (58.9/57.2)
Volkswagen Rabbit GTI 1780 (83-84)	2	2100 * 2153 ** 2205	4 Cyl SOHC	81.0 x 86.4 (3.19x3.40)	1780	Iron	Alum	(I) 40.0/(1.57) (E) 33.0/(1.30)	Fuel injection	2401 (94.5)	1496/1453 (58.9/57.2)

HP	Wheels (max)	Trans. Speeds (max)	Brakes Std. mm/(in.)	Brakes Alt.: mm/ (in.)	Fuel Injected Equipped Throttle Body Inside Diameter (mm) +/- .25mm	Notes:
Toyota Yaris (12-18)	15 x 7	5	((F) 255/(10.0) Disc (R) 200/(7.9) Drum		NA	Compression ratio limited to 11.0:1, Valve lift limited to .390".
Triumph Spitfire Mk. I & II	13 x 6	4	(F) 234/(9.2) Disc (R) 178/(7.0) Drum	(F) 9.7 Disc #213227 (R) 8.0 Drum Front Discs: Girling 14P, Calipers and mounting kit: #V734	NA	NOTE: Roll cage for cars under 1500 lbs are acceptable for cars registered with SCCA before 04/01/82. Use of cylinder head casting #303014 is permitted. Cylinder head casting numbers must be maintained.
Triumph Spitfire	13 x 6	4	Factory Spec @ all 4 wheels		NA	Compression ratio limited to 11.0:1, Valve lift limited to .450". The use of alternate material stub axles that are identical to stock components in all dimensions are permitted.
Triumph Spitfire 1500	13 x 6	4	Factory Spec @ all 4 wheels		NA	Compression ratio limited to 11.0:1, Valve lift limited to .450". Alternate intake manifold, Pierce #J15-1952 allowed.
Triumph Spitfire Mk. III & IV 1500	13 x 6	4	(F) 234/(9.2) Disc (R) 178/(7.0) Drum	(F) 9.7 Disc (R) 8.0 Drum May use Triumph GT6 caliper alt (f)	NA	Compression ratio limited to 11.0:1, Valve lift limited to .450". Drivetrain Level 2 preparation only. Listed spec line weight does not change with alternate or stock transmission. Battery tray may be removed. 1500- alternate intake manifold- Pierce #J15-1952 allowed.
Volkswagen Beetle (New) (98-05)	17x7	5	(F) 280/(11.0) Disc (R) 232/(9.10) Disc		Stock Throttle Body ID	Comp. Ratio limited to 11.0:1. Valve lift limited to .425".
Volkswagen Golf (GTI, GT, GL) (85-92)	15 x 7	5	(F) 239/ (9.4x.79)Disc (R) 180/(7.1) Drum		35 (primary) 52 (secondary)	Compression ratio limited to 12.0:1, Valve lift limited to .425". Can use stock fuel tank if stock rear bumper and bumper support structure is retained. VW cyl. heads 026103373G, AA, H and F permitted.
Volkswagen Golf III / Jetta III (93-98)	15x7	5	(F) 257/(10.1) Disc (R) 227/(8.9) Disc or 200/ (7.9) Drum		Stock throttle body I.D.	Comp. Ratio limited to 11.0:1. Valve lift limited to .425". Can use the stock fuel tank if stock rear bumper and bumper support structure is retained.
Volkswagen Jetta (GLI, GL) (85-92)	15 x 7	5	(F) 239/(9.4 x.79) Disc (R) /(7.1) Drum		35 (primary) 52 (secondary)	Compression ratio limited to 12.0:1, Valve lift limited to .425". Can use stock fuel tank if stock rear bumper and bumper support structure is retained. VW cyl. heads 026103373G, AA, H and F permitted.
Volkswagen Rabbit Cabriolet 1780	15 x 7	5	(F) 239/ (9.4x.79)Disc (R) 180/(7.1) Drum		35 (primary) 52 (secondary)	Compression ratio limited to 12.0:1. Valve lift limited to .425". VW cyl. heads 026103373G, AA, H and F permitted. Mk2 VW front spindles, hubs and bearings are permitted.
Volkswagen Rabbit 1588 (includes Cabriolet / convertible)	13 x 7	4 or 5	(F) 239/(9.4 x.47)SolidDisc (R) 180/(7.1) Drum		35 (primary) 44 (secondary)	Compression ratio limited to 11.5:1, Valve lift limited to .450". Mk2 VW front spindles, hubs and bearings are permitted.
Volkswagen Rabbit 1715 (81-84) (excl. conv.)	15 x 7	5	(F) 239/(9.4 x.47)SolidDisc (R) 180/(7.1) Drum		35 (primary) 44 (secondary)	Compression ratio limited to 11.5:1, Valve lift limited to .450". Mk2 VW front spindles, hubs and bearings are permitted.
Volkswagen Rabbit GTI 1780 (83-84)	15 x 7	5	(F) 239/ (9.4x.79)Disc (R) 180/(7.1) Drum		35 (primary) 52 (secondary)	Compression ratio limited to 12.0:1, Valve lift limited to .425". Use of manufacturer's 52mm throttle body permitted. Intake manifold inlet may be matched to throttle body mating surface to a depth of no more than one inch. VW cyl. heads 026103373G, AA, H and F permitted. Mk2 VW front spindles, hubs and bearings are permitted.

HP	Prep. Level	Weight (lbs)	Engine Type	Bore x Stroke mm/ (in.)	Displ. cc/ (ci) (nominal)	Block Mat'l	Head/PN & Mat'l	Valves IN & EX mm/ (in.)	Carburetor. No. & Type	Wheelbase mm/ (in.)	Track (F/R) mm/(in.)
Volkswagen Scirocco 1457/1471	2	1650 * 1691 ** 1733	4 Cyl SOHC	76.5 x 80.0 (3.01x3.15) 79.5 x 73.4 (3.13x3.09)	1471 1457	Iron	Alum	(I) 34.0/(1.34) (E) 31.0/(1.22)	(1) 40 DCN, DCNF, IDF w/ 32mm choke(s), or fuel injection.	2401 (94.5)	1496/1453 (58.9/57.2)
Volkswagen Scirocco 1588	2	1735 * 1778 ** 1822	4 Cyl SOHC	79.5 x 80.0 (3.13x3.15)	1588	Iron	Alum	(I) 34.0/(1.34) (E) 31.0/(1.22)	(1) 40 DCN, DCNF w/ 32mm choke(s), or fuel injection. (2) auto type side draft(s) w/ 32mm chokes at 90lbs penalty.	2401 (94.5)	1496/1453 (58.9/57.2)
Volkswagen Scirocco 1588	2	1735 * 1778 ** 1822	4 Cyl SOHC	79.5 x 80.0 (3.13x3.15)	1588	Iron	Alum	(I) 34.0/(1.34) (E) 31.0/(1.22)	(1) 40 DCN, DCNF w/ 32mm choke(s), or fuel injection. (2) auto type side draft(s) w/ 32mm chokes at 90lbs penalty.	2401 (94.5)	1496/1453 (58.9/57.2)
Volkswagen Scirocco 1780 (8-valve) (83-88)	2	2100 * 2153 ** 2205	4 Cyl SOHC	81.0 x 86.4 (3.19x3.40)	1780	Iron	Alum	(I) 40.0/(1.57) (E) 33.0/(1.30)	Fuel injection	2401 (94.5)	1496/1453 (58.9/57.2)
Volkswagen Scirocco 1588	2	1735 * 1778 ** 1822	4 Cyl SOHC	79.5 x 80.0 (3.13x3.15)	1588	Iron	Alum	(I) 34.0/(1.34) (E) 31.0/(1.22)	(1) 40 DCN, DCNF w/ 32mm choke(s), or fuel injection. (2) auto type side draft(s) w/ 32mm chokes at 90lbs penalty.	2401 (94.5)	1496/1453 (58.9/57.2)
Volkswagen Scirocco 1715 (81-84)	2	1910 * 1958 ** 2006	4 Cyl SOHC	79.5 x 86.4 (3.13x3.40)	1715	Iron	Alum	(I) 34.0/(1.34) (E) 31.0/(1.22)	Fuel injection	2401 (94.5)	1496/1453 (58.9/57.2)
Volkswagen Scirocco 1780 (8-valve) (83-88)	2	2100 * 2153 ** 2205	4 Cyl SOHC	81.0 x 86.4 (3.19x3.40)	1780	Iron	Alum	(I) 40.0/(1.57) (E) 33.0/(1.30)	Fuel injection	2401 (94.5)	1496/1453 (58.9/57.2)
Volvo 142/142E P-1800 Engine	2	2150 * 2204 ** 2258	4 Cyl OHV	84.1 x 80.0 (3.31x3.15)	1780	Iron	Iron	(I) 39.9/(1.57) (E) 35.0/(1.38)	(2) 1.75" SU, (2) 1.75 CDSE Stromberg, (2) 1.75" SU HS6 or fuel injection	2616 (103.0)	1415/1415 (55.7/55.7)
Volvo 142 / 142E	2	2450 * 2511 ** 2573	4 Cyl OHV	88.9 x 80.0 (3.50x3.15)	1989 (121.1)	Iron	Iron	(I) 44.0/(1.73) (E) 32.9/(1.38)	Fuel injection	2616 (103.0)	1415/1415 (55.7/55.7)

GCR - 538

* Alternate transmission w/ stock type syncros

** Alternate transmission w/ non-stock type syncros (i.e. dog-ring)

HP	Wheels (max)	Trans. Speeds (max)	Brakes Std. mm/(in.)	Brakes Alt.: mm/ (in.)	Fuel Injected Equipped Throttle Body Inside Diameter (mm) +/- .25mm	Notes:
Volkswagen Scirocco 1457/1471	13 x 7	4 or 5	(F) 239/(9.4 x.47)SolidDisc (R) 180/(7.1) Drum		35 (primary) 44 (secondary)	Compression ratio limited to 11.5:1, Valve lift limited to .450". Only 1457cc engine may use fuel injection. Mk2 VW front spindles, hubs and bearings are permitted.
Volkswagen Scirocco 1588	13 x 7	4 or 5	(F) 239/(9.4 x.47)SolidDisc (R) 180/(7.1) Drum		35 (primary) 44 (secondary)	Compression ratio limited to 11.5:1, Valve lift limited to .450". Mk2 VW front spindles, hubs and bearings are permitted.
Volkswagen Scirocco 1715 (81-84)	15 x 7	5	(F) 239/(9.4 x.47)SolidDisc (R) 180/(7.1) Drum		35 (primary) 44 (secondary)	Compression ratio limited to 11.5:1, Valve lift limited to .450". Mk2 VW front spindles, hubs and bearings are permitted.
Volkswagen Scirocco 1780 (8-valve) (83-88)	15 x 7	5	(F) 239/ (9.4x.79)Disc (R) 180/(7.1) Drum		35 (primary) 52 (secondary)	Compression ratio limited to 12.0:1, Valve lift limited to .425". Use of manufacturer's 52mm throttle body permitted. Intake manifold inlet may be matched to throttle body mating surface to a depth of no more than one inch. VW cyl. heads 026103373G, AA, H and F permitted. Mk2 VW front spindles, hubs and bearings are permitted.
Volkswagen Scirocco 1588	13 x 7	4 or 5	(F) 239/(9.4 x.47)SolidDisc (R) 180/(7.1) Drum		35 (primary) 44 (secondary)	Compression ratio limited to 11.5:1, Valve lift limited to .450". Mk2 VW front spindles, hubs and bearings are permitted.
Volkswagen Scirocco 1715 (81-84)	15 x 7	5	F) 239/(9.4 x.47)SolidDisc (R) 180/(7.1) Drum		35 (primary) 44 (secondary)	Compression ratio limited to 11.5:1, Valve lift limited to .450". Mk2 VW front spindles, hubs and bearings are permitted.
Volkswagen Scirocco 1780 (8-valve) (83-88)	15 x 7	5	(F) 239/ (9.4x.79)Disc (R) 180/(7.1) Drum		35 (primary) 52 (secondary)	Compression ratio limited to 12.0:1, Valve lift limited to .425". Use of manufacturer's 52mm throttle body permitted. Intake manifold inlet may be matched to throttle body mating surface to a depth of no more than one inch. VW cyl. heads 026103373G, AA, H and F permitted. Mk2 VW front spindles, hubs and bearings are permitted.
Volvo 142/142E P-1800 Engine	15 x 7	5	(F) 272/(10.7) Disc (R) 295/(11.6) Disc		NA	
Volvo 142 / 142E	15x7	5	(F) 272/(10.7) Disc (R) 295/(11.6) Disc		Stock throttle body I.D.	Comp. Ratio limited to 11.0:1. Valve lift limited to .425".

9.1.6. AMERICAN SEDAN CATEGORY

These specifications are part of the SCCA GCR and all automobiles shall conform to GCR Section 9.

A. PURPOSE

The American Sedan (AS) class is intended to provide the membership with the opportunity to compete in lower cost V8 powered automobiles, suitable for racing competition. Cars eligible for this class are listed at the end of 9.1.6. They will be prepared to manufacturer's specifications except for modifications and alternate specifications permitted by these rules. Modifications will be grouped into two categories, "Full" preparation and "Restricted" preparation. All modifications will specify the category to which they apply. The Club may alter or adjust certain specifications to equate competitive potential.

B. INTENT

It is the intent of these rules to allow modifications useful and necessary to construct a safe, more reliable, competition automobile. Other than those items specifically allowed by these rules, no component or part normally found on a stock example of a given vehicle shall be disabled, altered, or removed. Cars need not be eligible for state licensure or registration.

1. The competitiveness of any car in American Sedan shall not be guaranteed.

Restricted Preparation Cars Only: Restricted Preparation American Sedan automobiles shall, at all times, be in compliance with the specifications contained within their factory Shop/Service Manual(s) except as modified by these rules. Factory Shop/Service Manuals may come in the form of printed material, microfiche, CDs, DVDs and/or Internet access to manufacturer sponsored web-based databases. It is the responsibility of the competitor to provide this information upon request from any SCCA official and to provide the electronic device capable of accessing the data for compliance verification. Failure to provide some form of the Factory Shop/ Service Manual upon request is adequate for disqualification from any event.

C. SPECIFICATIONS

1. To maintain the restricted basis of American Sedan, updating and/or backdating of components is only permitted within cars of the same make/model and listed on a single American Sedan Specification line. Any updated/backdated components shall be substituted as a complete assembly. No interchange of parts between assemblies is permitted, and all parts of an assembly shall be as originally produced for that assembly. No permitted or alternate component or modification shall additionally perform a prohibited function.
2. Cars are classified by year, make, model and/or engine displacement (see Section E., "Car Classification").
 - a. Restricted Preparation American Sedan cars must provide their Vehicle Identification Number (VIN), upon request from any SCCA official, for the purpose of identifying the year in which the car was built. The VIN number shall not be used for any other purpose.
3. The SCCA shall specify the minimum weight for each classified car, as qualified or raced, with driver. Ballast is permitted.
4. Cars potentially eligible for Restricted Preparation may be required to run in Touring for at least two years before being classified in American Sedan. Cars not classified in Touring will be considered, on an individual basis, when adequate information is available to determine correct specifications.
5. Where Factory Specifications are absent or unclear, SCCA may establish an acceptable dimension and/or tolerance from known stock parts.
6. All rules referencing OEM parts, unless specified in these rules, must be unmodified OEM parts.

D. AUTHORIZED MODIFICATIONS

The following modifications are authorized on American Sedan Category cars. It is not permitted to make changes, alterations, or modifications to any component produced by the manufacturer unless specifically authorized by these rules, or required by the GCR. No permitted or alternate component or modification shall additionally perform a prohibited function. Replacement parts may be obtained from sources other than the manufacturer provided they are exact equivalent of the original parts. The intent of this rule is to allow the competitor to obtain replacement parts from standard industry outlets, such as, auto parts distributors, rather than from the manufacturer. It is not intended to allow parts that do not meet all dimensional and material specifications of new parts from the manufacturer, unless otherwise allowed in these rules.

1. Engine (additional specs., see Section F – Engine Build Sheets)
 - a. Air Induction System:
 1. Full preparation cars only:
 - a. All cars shall fit the approved carburetor and manifold. The approved manifold may be

9.1.6. American Sedan (AS) Specifications

ported and polished, and exhaust crossover may be blocked, but its design and configuration shall not be altered in any other way. The lowering of or boring of holes in the center divider is prohibited. Removal or obliteration of the manifold part number is prohibited.

- b. Any external throttle linkage to the carburetor may be used. Choke mechanisms, plates, rods, and actuating cables, wires, or hoses may be removed. No removal or alteration of the carburetor air horn is permitted.
- c. All air entering the intake tract shall pass through the carburetor air inlet.
- d. An open-sided, closed-top air cleaner assembly, with a maximum diameter of 16 inches, with a filter element having a maximum diameter of 14 inches and a maximum height of 3 inches is required.
- e. Filter element material is unrestricted.
- f. Velocity stacks, ram air, cowl induction, shrouding or ducting of air to the air cleaner or carburetor are not permitted.

2. Restricted preparation cars only:

- a. All unmodified OEM induction system components (such as, but not limited to: air cleaner assembly (less filter element), all hoses connecting the air cleaner assembly to the throttle body, throttle body, and intake manifold) must be maintained. All air entering the intake tract shall enter through the OEM throttle body.
- b. Non OEM Cold air induction systems are prohibited unless indicated on specification line.
- c. Air filter element material is unrestricted.
- d. Restrictor plates may be required. Refer to vehicle specification line.

b. Fuel Pumps/Lines:

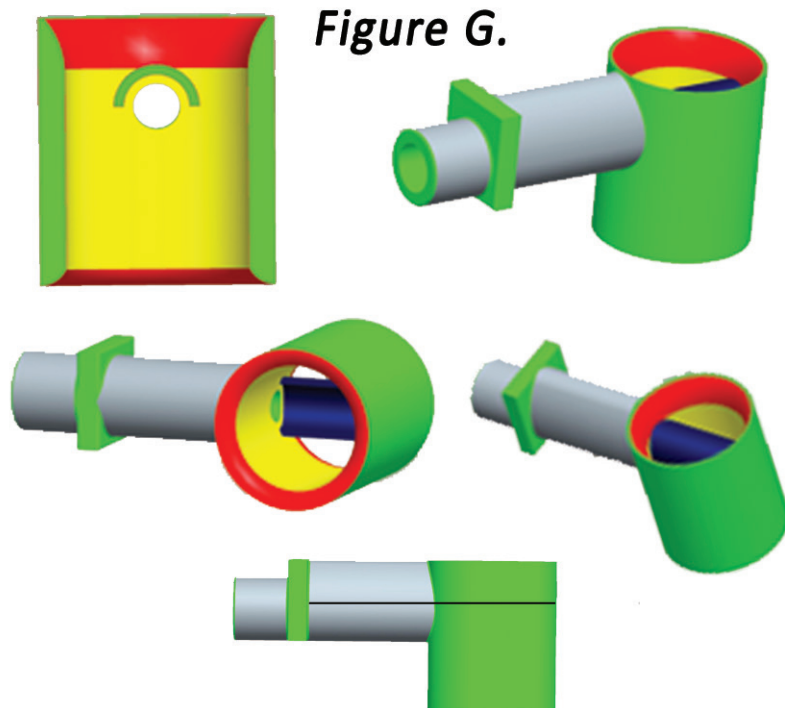
1. Any fuel pump(s), fuel pressure regulators, or filters may be used and may be relocated, but shall not be located in the driver/passenger compartment. If a mechanical pump is removed, a blanking plate may be used to cover the original mounting location.
2. Fuel line(s) may be replaced, relocated, and given additional protection. If the relocated line(s) passes through the driver/passenger compartment, it/they shall be metal or metal braided, and shall be securely fastened.

c. Fuel Delivery:

1. Full preparation cars only:

- a. Only the approved carburetor (Holley #4776, 600cfm 4bll), insulator (Holley #108-12), and manifold (Edelbrock Performer RPM #7101-General Motors / #7121- Ford/Mercury) shall be fitted to cars. The carburetor shall be identified by the numbers "4776". Additional numbers stamped on the horn section of the carburetor, such as "-X" (indicating the die lot number for that carburetor) and "XXXX" (up to 4 digits indicating the day of the year the carburetor was produced along with the year in the decade it was produced) shall not be used to identify the carburetor. Two carburetor base gaskets (each base gasket can be no thicker than .125 inches) may be used, one on each side of the insulator.
- b. Other than as provided for in these rules, the carburetor shall not be modified in any way. Any carburetor jets, air jets, accelerator pump, pump cam, and accelerator pump nozzles may be used. Any power valves, metering blocks, and floats may be used. No venturi (including secondary or auxiliary) shall be modified in any way, but they may be aligned. Idle holes may be drilled in the throttle plates (butterflies). Any butterfly attach screws can be used. Carburetors may be modified to allow "four corner" idle adjustment. A Holley 600 carburetor test gauge kit, such as, BLP Racing Products Kit 7862 (with the exception of Combined Throttle Shaft and Plate gauges 78623P and 78623S), may be used to validate compliance of the carburetor (Note that the SCCA may use other kits not listed here, visual inspection, and comparison to SCCA supplied Holley 600 carburetors). Vent tubes may be modified or replaced and must be no taller than 2.0" when measured from the circular air cleaner mounting surface on the carburetor to the top most part of the tubes. The vent tubes shall not pass through the air cleaner. The vent tubes shall not be connected to each other.

Boosters must be shaped as shown fig. g below:



Note: black line represents a casting line that should be present.

2. Restricted preparation cars only:
 - a. OEM fuel injectors and fuel rail assembly must be maintained. To reduce fuel fire hazard, OEM fuel rail inlet and outlet (return) ports may be changed to allow alternate fittings. No other changes to the OEM fuel rail assembly are permitted.
 - b. The engine management computer or ECU may be altered but not replaced. All modifications shall be done within the original housing. ECUs must be able to communicate through the stock OBD reader port.
- d. Exhaust emission control:
 1. A.I.R. (Air Injection Reaction) pumps, associated lines, nozzles, and other electrical/mechanical emission devices may be removed. If such items are not removed, they shall not be modified in any way. If EGR devices/nozzles are removed from a cylinder head or manifold, any holes remaining shall be completely plugged.
 2. Catalytic converter(s) may be removed.
- e. Exhaust:
 1. Full preparation cars only:
 - a. Replacement exhaust manifolds, or "headers," may be used. Cylinder head mounting flange(s) shall be no thicker than 0.375 inch, and tubing diameter shall be no greater than 1.625 inch O.D., measured at any tube location one (1) inch from the flange to the collector.
 - b. Exhaust after the manifolds/headers must meet the below requirements but is otherwise unrestricted.
 1. No exhaust pipe(s) shall pass over the engine, bellhousing, or transmission.
 2. Exhaust shall exit behind the driver, and shall be directed away from the car body. A suitable exhaust muffling system may be necessary to meet sound control requirements.
 2. Restricted preparation cars only:
 - a. OEM exhaust manifolds must be maintained unless indicated on a specification line.

9.1.6. American Sedan (AS) Specifications

- b. Oxygen sensors may be removed and plugged.
- c. Exhaust after the manifolds must meet the below requirements but is otherwise unrestricted.
 - 1. No exhaust pipe(s) shall pass over the engine, bellhousing, or transmission.
 - 2. Exhaust shall exit behind the driver, and shall be directed away from the car body. A suitable exhaust muffling system may be necessary to meet sound control requirements.
- f. Ignition System:
 - 1. Full preparation cars only:
 - a. Any ignition system which utilizes the distributor for spark timing and distribution is permitted. Any distributor that requires no modification to the engine may be fitted. Internal distributor components and distributor cap may be substituted.
 - b. Crank fire ignition systems are prohibited.
 - c. Any spark plugs, single coil, and ignition wires may be used.
 - d. Ignition timing is unrestricted.
 - 2. Restricted preparation cars only:
 - a. OEM or factory equivalent ignition system must be utilized for detection and distribution.
 - b. OEM or factory equivalent coils must be utilized.
 - c. Any spark plugs and ignition wires may be used.
 - d. Ignition timing is unrestricted.
- g. Battery:
 - 1. Any 12 volt battery may be used.
 - 2. The battery may be relocated as per GCR section 9.3 Batteries.
 - 3. Additional battery hold down devices may be used, and are strongly recommended.
- h. Camshaft/Valvetrain:
 - 1. Full preparation cars only:
 - a. The camshaft may be replaced with a unit of any origin meeting specified maximum lift (see Section F – Engine Build Sheets), measured at the valve with zero lash.
 - b. Cam timing, timing chains, woodruff keys, dowel pins, and sprockets are unrestricted. Double row chains may be substituted for single row chains. Timing belts and gear driven timing systems are prohibited unless fitted as original equipment.
 - c. Valve lifters shall be of the solid (flat tappet) type only. Roller, hydraulic, or “mushroom” lifters are prohibited. See Section F – Engine Build Sheets for additional specifications.
 - d. Valve springs are unrestricted except that they shall be made of steel. Heads may be machined to accommodate any valve spring. Valve spring retainers and keepers are unrestricted.
 - e. Rocker arms may be replaced with any rocker arm. Shaft mounted rocker arms are permitted using a minimum of eight shafts. Valve train stud girdles are allowed.
 - f. Pushrods may be replaced with any pushrods of steel (ferrous) material.
 - g. Valve covers are unrestricted.
 - 2. Restricted preparation cars only:
 - a. OEM camshaft and valvetrain components must be utilized based on vehicle year and model. Updating and/or backdating within a specification line is permitted.
 - b. All camshaft/valvetrain hardware shall be installed/timed in conformance with those specifications and procedures outlined by the vehicle’s manufacturer.
 - c. Alternate camshafts may be specified for performance equity. See specification line.
 - d. Valve covers are unrestricted.
- i. Oiling system:

1. Oil pans, pan baffles, scrapers, and windage trays, oil pickups, lines, and filters are unrestricted.
 2. A pressure accumulator/"Accusump" may be fitted.
 3. The location of the filter and accumulator are unrestricted, but they shall be securely mounted within the bodywork.
 4. All oil lines that pass into or through the driver/passenger compartment shall be metal or metal braided hose.
 5. Engine oil and oil additives are unrestricted.
 6. Oil catch tanks are permitted. All engine breathers or vapor recirculation lines, if disconnected, shall vent to a catch tank of one (1) quart minimum capacity. Such catch tanks shall not be mounted in the driver/passenger compartment.
- j. Accessory Drive:
1. Full preparation cars only:
 - a. Engine drive belts and pulleys may be replaced with any non-tooth driven belt and appropriate pulleys for the purpose of component RPM reduction.
 - b. Any mechanical (non-electrical) water pump may be used provided it is mounted in the original position.
 - c. Any belt driven, mechanical power steering pump and any alternator may be used. They must mount to the front of the engine. Remote reservoirs maybe added.
 - d. Any power steering and/or alternator brackets may be used if they perform the same mounting function as the originals.
 - e. Air conditioning systems may be removed in whole or in part.
 2. Restricted preparation cars only:
 - a. Engine drive belts and pulleys may be replaced with any non-tooth driven belt and appropriate pulleys for the purpose of component RPM reduction.
 - b. OEM or factory equivalent alternator, power steering pump and water pump may be used for repair purposes.
 - c. Air conditioning systems may be removed in whole or in part.
- k. Engine Components:
1. Full preparation cars only:
 - a. Engine block shall be cast iron as produced by the vehicle's manufacturer and must meet the requirements in Section F – Engine Build Sheets.
 - b. Main cap girdles may be fitted.
 - c. Any aluminum replacement piston with three piston rings may be used. See Section F – Engine Build Sheets for additional specifications.
 - d. Piston rings are unrestricted.
 - e. Balancing and "blueprinting" of the engine assembly are permitted. Lightening of parts beyond the minimum material removal necessary to balance is prohibited.
 - f. An alternate, commercially available, vibration dampener may be fitted.
 - g. Cylinder head to intake/exhaust manifold port matching is permitted. No material shall be removed from or added to the cylinder head(s) further than one (1) inch in from the manifold to cylinder head mounting face(s). External dimensions of the cylinder head or intake/exhaust manifold shall not be reduced to facilitate internal porting. Cutting (and subsequent welding of) the intake manifold to facilitate internal porting is not permitted.
 - h. The throat area of the port consists of a single cut up to a maximum 90 degree angle at the very bottom of the steel valve seat as it transitions to the aluminum or cast iron casting below ("Throat Cut"). It is permitted to plunge cut the throats in order to correct for core shift that is commonly found in many cylinder heads. This cut cannot extend further than 1.100 inches below from the top of the ferrous valve seat. There can be no tooling or machine marks in the head below this point. The area where the cut meets the floor of the cylinder head port cannot be blended by hand, machined or chemically processed to create a smooth transition at this point. No aluminum or cast iron in the bowl area (other than that specified for the plunge cut) or the ports may be removed, added or manipulated for any reason. It is understood that many heads may look slightly different from bowl to

9.1.6. American Sedan (AS) Specifications

bowl due to casting irregularities. No material may be removed or added from the short turn radius in the port. No material shall be removed, added or manipulated in any area of the heads beyond the 1 inch in port matching. The heads shall not be blended by hand, machined or chemically processed for any reason (including, but not limited to) to create a smooth or resurfaced appearance. The heads shall not be cut (and subsequently re-welded) for any reason. Any modification of the cylinder head beyond that permitted in this section and Section F. (Engine Build Sheets) is prohibited. See Section F – Engine Build Sheets for additional specifications. Where possible, the SCCA will specify dimensions. The lack of dimensional specifications does not negate the restrictions outlined here with respect to the heads and intake manifold.

- i. Valve guide material is unrestricted.
 - j. Milling of the cylinder head to increase compression ratio is permitted.
 - k. Any or all valve seats may be replaced. Valve seat material must be ferrous.
 - l. The combustion chamber may be repaired or modified in the area shown in Section F – Engine Build Sheets, Drawing 2 to repair or prevent pitting or damage between the intake and exhaust valves. For this repair or modification, it is permissible for the valve seats to contact each in the area shown in Section F, Drawing 2. This repair/modification may serve no other purpose.
 - m. Only stock, steel, or stainless steel intake and exhaust valves are permitted. Titanium or titanium alloy valves are not permitted. Valve seat specifications shall comply with Section F – Engine Build Sheets, Drawing 1. Valve length and valve stem installed height is open. Any valve seal may be used.
 - n. A valve job will consist of 3 valve angles only not including the throat cut angle. Each of these valve angles is open. The widths of the valve angles on the head and on the valve are open. The maximum diameter of the cut in each valve seat is .250 inches greater than the diameter of its valve head. All valve cuts must be concentric with the valve stem. Additional valve specifications are listed in Section F – Engine Build Sheets. Valve seat specifications shall comply with Section F – Engine Build Sheets, Drawing 1.
 - o. Aftermarket starters mounted in stock location are permitted.
 - p. Engine gaskets are unrestricted.
 - q. Motor mounts are unrestricted. Engine must remain in the original, or approved location.
2. Restricted preparation cars only:
- a. OEM engine components must be utilized based on vehicle year and model. Updating and/or backdating within a specification line is permitted. Replacement parts may be purchased from alternative standard outlets such as parts stores, provided they are equivalent of the stock OEM part.

Replacements parts include:
Pistons and rings
Bearings
Oil pump
Starter
Seals
Gaskets
 - b. OEM oversized pistons or factory equivalent may be used for repair purposes (max .040 inches over the bore size listed in vehicle's specification line allowed).
 - c. OEM oversized piston rings or factory equivalent may be used for repair purposes.
 - d. OEM oversized bearings or factory equivalent may be used for repair purposes.
 - e. Engine repair procedures shall be performed utilizing OEM procedure or Factory Service bulletins. Where Factory Service Manual measurement specifications for engine components may conflict with assembled Factory Service Manual specifications for performance (such as, but not limited to, compression ratio), the performance specifications shall be the measurement used for compliance. The SCCA strongly encourages the measurement of performance specifications after engine assembly and the adjustment to compliance, if needed, through the use of items listed in 9.1.6.D.1.k.2.a.
 - f. Balancing is allowed. Removal of material solely for the purposes of balancing is permitted.
 - g. Motor mounts are unrestricted. Engine must remain in the original location.
 - h. Maximum allowed compression ratio for all restricted preparation cars is specified in the

vehicle's specification line.

- I. Flywheel/Clutch:
 1. Full preparation cars only:
 - a. Any flywheel of stock diameter and weighing a minimum of 15.0 lbs with ring gear may be used.
 - b. Any clutch disc and pressure plate of stock diameter may be used.
 - c. Pressure plate/clutch cover assembly shall be ferrous only and shall bolt in the original stock mounting location.
 - d. Balancing of the flywheel/clutch cover assembly/pressure plate is permitted.
 - e. SFI 1.1 or 1.2 spec flywheel and clutch are allowed as long as they meet the above specifications. Method of clutch actuation is unrestricted.
 2. Restricted preparation cars only:
 - a. OEM or factory equivalent flywheel, clutch disc, pressure plate, and throwout bearing must be utilized.
 - b. OEM method of clutch actuation must be maintained. i.e. hydraulic or mechanical with concentric or lever style throwout bearing.
- m. Misc. Engine Components:
 1. All engine components not otherwise listed in these rules shall meet factory specifications for stock parts.
- n. Cleaning:
 1. Engine parts, including, but not limited to, heads, intake manifolds and carburetors, may be cleaned using usual methods (e.g., bead blasting, soda blasting, Scotch Brite pads) as long as part dimensions are not altered.
- o. Coatings/Paint:
 1. Unless otherwise restricted within the AS rules, paints and coatings are permitted on drivetrain components except for the following locations: internal engine block surfaces, internal cylinder head surfaces, internal intake manifold surfaces, and internal carburetor surfaces.
2. Engine Cooling System:
 - a. Radiator:
 1. Any radiator may be used, provided it can be mounted in the original location and requires no body or chassis modifications to install.
 2. Catch and/or expansion tanks may be added or substituted.
 3. Engine coolant fluid is unrestricted.
 4. Coolant/heater hoses and clamps may be substituted. Heater hoses may be plugged. Heater water control valve(s) may be added or substituted.
 5. The entire heater assembly may be removed. This includes all hoses, lines, ducts, coils and controls. Any resulting holes in the firewall must be plugged or covered.
 6. Thermostats may be modified, removed, or replaced with blanking sleeves or restrictors.
 7. Screens may be mounted in front of the radiator and/or oil cooler(s) and must be contained within the bodywork.
 - b. Coolers:
 1. Engine and power steering oil cooler(s) may be added or substituted.
 2. Location within the chassis is free, provided that it/they are not mounted within the driver/passenger compartment.
 - c. Cooling Fans:
 1. Any cooling fans may be used. Cooling fans may be removed.
 2. Electrically operated fans with manual or automatic actuation may be fitted.
3. Transmission/Final Drive:
 - a. Transmission:

9.1.6. American Sedan (AS) Specifications

1. Full preparation cars only:
 - a. Any H-Pattern 4 or 5 speed transmission is permitted with the gear ratios listed on the vehicle spec line (with a tolerance of +/- .05 per gear). 4 speed transmissions must match either 4 speed gear ratios listed on their specification line or one of the car's specification line 5 speed gear ratio sets for gears 1 through 4, with a tolerance of +/- .05. Sequential shifting transmissions are prohibited. Pneumatic, hydraulic or electric actuation of the gear shift mechanism is prohibited. Transmissions that use a gear engagement mechanism different than stock type (e.g., circular, beveled) are prohibited. Face-tooth engagement gearboxes (e.g., dog rings) are permitted at an 50 lbs. weight penalty. Any first gear ratio greater than 2.5 is permitted.
 - b. Any conventional H-pattern, non-sequential shifter may be used.
 - c. Transmission mounts are unrestricted.
 - d. Transmission lubricants are unrestricted.
 - e. Transmission coolers are permitted. Dry Sump transmission coolers are not permitted.
 2. Restricted preparation cars only:
 - a. OEM or Factory equivalent transmission components must be utilized. Updating and/or backdating within a specification line is permitted.
 - b. Transmission repair procedures may be performed utilizing OEM procedures.
 - c. Any conventional H-pattern, non-sequential shifter may be used.
 - d. Transmission mounts are unrestricted.
 - e. Transmission lubricants are unrestricted.
 - f. Transmission coolers are permitted. Dry Sump transmission coolers are not permitted.
- b. Driveshaft:
1. Full preparation cars only:
 - a. OEM driveshafts may be replaced with any one piece driveshaft of steel or aluminum construction.
 - b. The driveshaft may be modified to fit alternate differentials and/or transmissions.
 - c. Driveshaft loops are permitted/recommended.
 2. Restricted preparation cars only:
 - a. OEM driveshafts may be replaced with any one piece driveshaft of steel or aluminum construction.
 - b. Driveshaft loops are permitted/recommended.
- c. Rear Axle/Final Drive:
1. Full preparation cars only:
 - a. Any OEM rear axle assembly is permitted, provided it was available in the listed vehicles contained within the specification line.
 - b. Ford 9" rear axles are permitted in all cars. Center section shall be of ferrous material.
 - c. Dana 44 axles are permitted in all cars.
 - d. Any final drive ratio is permitted.
 - e. Any limited slip or locked differential is permitted.
 - f. C-clip eliminators are permitted.
 - g. Full floater axles are permitted.
 - h. Aftermarket or modified rear differential covers are allowed.
 - i. Differential coolers are permitted. Dry Sump differential coolers are not permitted.
 - j. For any rear axle assembly, welding of the rear axle tubes is permitted.
 2. Restricted preparation cars only:
 - a. Any OEM rear axle is permitted, provided it was available in the listed vehicles contained within the specification line.

- b. Any final drive ratio is permitted, provided it fits the allowed stock differential housing without modification to the housing.
 - c. Any limited slip or locked differential is permitted.
 - d. Aftermarket or modified rear differential covers are allowed.
 - e. Aftermarket axle shafts and bearings are allowed
 - f. Differential coolers are permitted. Dry Sump differential coolers are not permitted.
 - g. C-clip eliminators are permitted.
 - h. For any rear axle assembly, welding of the rear axle tubes is permitted.
4. Suspension:
- a. Ride Height- Minimum ride height is five (5) inches, to be measured without driver at the lowest point of the sheet metal rocker panel, but not to include welded seams, stock ground effects cladding, or fasteners.
 - b. Springs and Shock Absorbers:
 - 1. Springs of any origin may be used, provided they are of the same number and type as originally fitted and they must be installed in the original location. Front suspension coil over springs and shocks are prohibited, unless fitted as original equipment. Rear spring relocation to the shock is permitted.
 - 2. Any shock absorbers may be used, provided they attach to the original mounting points on the chassis. The number of shock absorbers shall be the same as stock. Remote reservoir shock absorbers are permitted. The location of the reservoir is unrestricted. No shock absorber may be capable of adjustment from within the cockpit or by any other means, such as, but not limited to, any electronic, computer, or feedback control systems while the car is in motion. Magnetic shocks are not permitted.
 - 3. Strut equipped cars may substitute struts and/or may use any insert. On cars where the strut assembly also serves to locate a spring, the lower spring seat ride height location may be altered from stock. Spacers, including threaded units with adjustable spring seats, may be used.
 - 4. Spacers, including threaded units with adjustable spring seats (weight jacks), may be used with coil springs. If spacers are used, they shall be located on and shall be permanently attached to existing chassis or suspension structure, but shall not serve as a reinforcement to that structure. Material may be removed from the upper or lower spring seat to facilitate installation of the spacers. Material may be removed from the chassis, but not the bodywork, to facilitate adjustment of the spacers.
 - 5. Limiting straps to preclude a spring from becoming dislodged are permitted.
 - c. Suspension Control - Any anti-roll bar(s), traction bar(s) and rear upper control arms or like devices, panhard rod, or watts linkage may be added or substituted, provided its/their installation serves no other purpose. The mounts for these devices may be welded or bolted to the structure of the vehicle. No suspension control mount or component shall be located in the trunk or driver/passenger compartment unless installed by the manufacturer as original equipment. No suspension control component may be capable of adjustment from within the cockpit while the car is in motion.
 - d. Suspension Mounting Points:
 - 1. Cars may adjust camber by the use of eccentric bushings at the lower control arm pivot points, by the use of eccentric bushings at the upper suspension control mounting points, and/or by use of slotted adjusting plates at the upper suspension mounting point. If slotted plates are used, they shall be located on existing chassis structure. Material may be added or removed from the upper suspension mounting point to facilitate installation of adjuster plate.
 - 2. Rear camber shall be no more than 1/2 degree negative per side. If equipped with IRS, rear camber shall be no more than 2 degree negative per side.
 - 3. All forms of suspension may adjust caster by means of shims or eccentric bushings. All cars may adjust caster at the upper suspension mounting point/plate.
 - 4. One (1) stay rod may be fitted between the upper front strut/shock towers. One (1) reinforcement bar may be fitted between each front strut/shock tower and the firewall.
 - 5. Bushing material is unrestricted except that bushing material must be at least as stiff as stock (i.e. equal or higher durometer rating). "Air", foam or other soft materials that render the control arms ineffective, are strictly forbidden. Control arm to spindle/knuckle ball joints must

9.1.6. American Sedan (AS) Specifications

be stock or equivalent replacement. Ball joint may be welded or positively attached. Original unmodified lower control arms (front and rear), and original unmodified front upper control arms must be retained. Vehicles with rear trailing arms may replace OEM arms with tubular arms. Arms must maintain stock length and serve no other purpose than locating rear axle assembly. Pins, keys, or weldment may be used to prevent the rotation of alternate bushings but may serve no other purpose than that of retaining the bushing in the desired position.

6. Any rubber bump stops may be used, but their chassis mounts, brackets, etc., shall not be altered in any way. Rubber bump stops may be removed.
7. Pick-up points on the rear axle housing may be relocated. The removal and/or replacement of the rear suspension torque arm on GM F-body cars and the upper arm on Ford Mustangs is allowed. Pick-up points, on the chassis, for front and rear lower control arms, shocks and springs, must remain in the original location.
8. The use of offset steering rack bushings is permitted. Any tie rods and tie rod ends may be used. Spindles may be machined so that tapered tie-rod end bolts can be replaced with straight bolts.

5. Brake System:

a. Materials:

1. Brake pads, brake linings, and brake fluid are unrestricted.
2. Brake lines may be replaced with steel lines or Teflon lined metal braided hoses. Lines/hoses may be relocated and may be given additional protection. Brake fittings, adapters, and connectors are unrestricted.
3. Hubs shall be of ferrous material or aluminum.
4. Rotor hat shall be of ferrous material or aluminum and may be part of the hub or rotor.
5. Rotor shall be of ferrous material. Rotor shall be the same diameter and thickness as the standard or alternate listed on the specification line for the vehicle.
6. Mounting brackets shall be of metallic material.
7. Materials may differ from above if OEM hardware is utilized.
8. Brake duct fans are permitted for cooling brakes. They shall perform no other function.

b. Components:

1. Full preparation cars only:

- a. Air ducts may be fitted to the brakes, provided that they extend in a forward direction only, and that no changes are made in the body/structure for their use.
- b. Parking brakes, mechanisms, and actuating components may be removed.
- c. One piece front or rear hub with rotor may be replaced with separate hub, rotor hat, and rotor.
- d. Front spindles/knuckles may be modified to facilitate mounting of alternate brake calipers. Spindle modifications shall serve no other purpose.
- e. Any front caliper using four (4) or fewer pistons and using one (1) brake line per caliper is allowed.
- f. Any rear caliper using four or fewer pistons and using one brake line per caliper is allowed.
- g. Rear caliper mounting brackets may be substituted.

2. Restricted preparation cars only:

- a. Air ducts may be fitted to the brakes, provided that they extend in a forward direction only, and that no changes are made in the body/structure for their use.
- b. Parking brakes, mechanisms, and actuating components may be removed. OEM brake hardware, including knuckle/spindle, caliper, rotor, hub, and associated mounting hardware must be utilized.
- c. Full Preparation modifications as listed in 9.1.6.D.5.b.1 (Components) may be used with wheel sizes listed in a Restricted Preparation car's specification line. Maximum rotor size for this option (front and rear) is 13.1 inches X 1.27 inches. (full prep spec lines 10x)

c. System Control:

1. Brake system circuitry may be revised.

2. The original master cylinder may be replaced with any single or dual master cylinder (with balance bar).
3. Any pedal assembly, including the throttle pedal, clutch pedal, clutch and brake master cylinders, mechanical linkage and hydraulic lines, may be used. The pedal assembly, and master cylinders, may be relocated. Firewalls and cowlings may be modified to allow for installation of the pedals and master cylinders. Modification must be the minimum required to complete the installation, and shall not serve any other purpose. Dead pedal/foot rest and heel stop may be added.
4. Any brake booster may be used. The brake booster may be removed. A vacuum reservoir or booster may be added.
5. A brake-bias adjustment cable is permitted.
6. Brake proportioning valves may be used provided that they are of the inline, pressure limiting type.
7. ABS and traction systems must be disabled. It is the responsibility of the competitor to provide proof of system disabling.

6. Wheels/Tires:

a. Wheels:

1. Maximum wheel diameter is 17 inches, unless otherwise indicated within the vehicle specification line.
2. Maximum wheel width is restricted based on the following:
 Vehicles with max tire size of 275mm, max rim width is 10 inches
 Vehicles with max tire size of 295mm, max rim width is 11 inches
 Vehicles with max tire size of 315mm, max rim width is 12 inches
 Vehicles with max tire size of 335mm, max rim width is 13 inches
 Unless indicated within the vehicle specification line.
3. Knockoff or quick change type wheels are prohibited.
4. Track may be changed to accommodate larger tires, provided that there is safe tire/fender/chassis clearance under all conditions of steer, bump, and rebound. Wheel spacers are permitted.
5. Tire tread (that portion of the tire that contacts the ground) shall not protrude beyond the fender opening when viewed from the top perpendicular to the ground.
6. Any wheel stud, bolt, and/or nut is permitted.

b. Tires:

1. Max tire size for all cars is 275, unless indicated within the vehicle specification line.
2. Weight penalty for increased width may be assigned within specification line.
3. Tires must conform to GCR section 9.3 Tires.
4. American Sedans must compete on DOT "R-type" road race tires. Permitted tires are listed below. Soft "A type" autocross tires are prohibited:

BFGoodrich R1 & R1S

Goodyear DOT radial DOT R compound

Hankook Ventus Z214 C51/Medium

Hoosier R7 or R6 or WET/H2O or W2

Kumho Ecsta V700 series

Nitto NT01

Toyo R888, Toyo Proxes RA1, or Proxes RR

Yokohama A048 or A052

Rain tires must continue to have DOT rating, except that softer compound dry tires, such as the Hoosier A7 (but not limited to), are not permitted for use as rain tires.

The objective of this rule is to require the use of a more durable and economical tire. Performance of approved tires will be monitored by the ASAC and those which are found to deviate

9.1.6. American Sedan (AS) Specifications

from this objective may be subject to exclusion by means of a Tech Bulletin or other appropriate communications.

Additional tires may be requested for consideration by the ASAC and may be introduced within rule change timing cadence.

7. Body/Structure:

a. Fenders:

1. Fenders and wheel openings shall remain unmodified.
2. It is permitted to roll under or flatten any interior lip on the wheel opening for tire clearance.
3. Cars with plastic/composite fenders may remove any interior wheel opening lip, but the resulting material edge shall be no thinner than the basic fender material thickness.
4. Any non-metallic inner fender liners may be used or removed.

b. Air Dams/Spoilers:

1. A front spoiler/air dam is permitted.
2. The front spoiler/air dam shall not protrude beyond the overall outline of the body when viewed from above perpendicular to the ground.
3. The front spoiler/air dam shall be mounted to the body, and shall extend no higher than four (4) inches above the horizontal centerline of the front wheel hubs. No part of the front spoiler/air dam shall be lower than three (3.0) inches from the ground. OEM (factory) front spoiler/air dam systems are permitted and if mounted in the stock location, have no height restrictions.
4. The front spoiler/air dam shall not extend toward the rear of the car further than the vertical centerline of the front wheel hubs.
5. The front spoiler/air dam shall not cover the normal grille opening(s) at the front of the car.
6. Openings in the front spoiler/air dam are permitted for the purposes of ducting air to the brakes, cooler, and radiator.
7. Rear spoilers or wings shall be as originally fitted or as specifically authorized on the specification line for that vehicle.

c. Bumpers/Fascias:

1. Unless authorized in these rules or stated in a spec line, all bumper covers, and metal bumper bars shall not be modified or removed. Bumper absorbing material may be removed.
2. Front parking/fog light assemblies may be removed for ducting of air.

d. Hood/Roof/Trunk/Rear Deck:

1. Hood and trunk pins, clips, or positive action external latches are permitted.
2. Stock hood and trunk latches may be disabled or removed; if so, some positive action external fastening method shall be used.
3. Any hood/trunk hinges may be used. Hood/trunk hinges may be removed.
4. Underhood bracing on stock hoods, trunks, and rear decks may be modified or removed.
5. Steel, aluminum, or fiberglass hoods may include a sealed protrusion above the hood's external profile not to exceed 3 inches in height. Otherwise the external profile of the hood shall remain stock.
6. Ram air openings and rear openings must be blocked off to prevent passage of air.
7. Sunroofs, Targa tops, and T-tops are only permitted if installed by the manufacturer of the vehicle. If installed they must be retained on the vehicle, run in the closed position, and securely bolted in place unless the operating rails adequately secure the panel. Glass panels are permitted.

e. Glass:

1. OEM or factory equivalent windshield is required.
2. Side windows (not including the front door windows) and rear/deck glass must be OEM/

equivalent or clear polycarbonate type plastic material having a minimum thickness of 3 mm. Polycarbonate windows must retain the same shape, size and location as OEM and must be securely fastened to the car.

3. Door glass, quarter glass, and side marker assemblies may be removed. Openings left by the removal of side marker assemblies shall be completely closed. Quarter glass (if not removed or replaced with Lexan-type plastic material as noted in 9.1.6.D.7.e.2 , or NACA-ducts per 9.1.6.D.8.a.12) must be OEM or factory equivalent.
4. Windshield defrosters are allowed as long as they serve no other purpose.
5. Any windshield wipers, motors, arms and brackets may be used or removed.

f. Doors:

1. The door window operating mechanism, inner door trim panel, armrest, map pockets, and inside door latch/lock operating mechanism may be removed and the inner door structural panel may be modified or removed.
2. The stock side impact beams may be removed when NASCAR-style door bars are installed. Original door hinges and exterior door handles shall be retained. Doors may be pinned, not bolted.

g. Frame/Subframe:

1. The frame or subframe shall be stock for body used.
2. The front and rear subframes may be tied together (front to rear, without crossing the centerline of the chassis) with subframe connectors consisting of curved or straight steel tubing (round, square, or rectangular section) with a maximum wall thickness of 0.125".
3. Sub frame connectors may be bolted or welded to the subframes. These connectors may extend under the floor or may extend through the floor with the floor completely welded to this member. Seam/stitch welding is permitted.
4. A connector may be added between the left and right front frame rails forward of the front axle centerline.

h. Weather Stripping/Seals:

1. Engine compartment, trunk, hatch, and door rubber seals or weatherstripping may be removed.

i. Repair/Modification:

1. All chassis/structural repair, if performed, shall be in concurrence with factory procedures, specifications, and dimensions.
2. Body repair shall be performed using every reasonable effort to maintain stock body contours, lips, etc. Any body repair modification having as its purpose increased clearance is prohibited.
3. Unless authorized in this rule set, alteration by adding any materials, such as, but not limited to, tape, stickers, metal, or vinyl, for the purposes of improving aerodynamics is prohibited.
4. The unibody may be deformed or modified to accommodate the installation of components or other modifications allowed by these rules. The rear bulkhead may not be cut to accommodate the installation of traction bars or rear upper control arms or like devices. Deformations or modifications shall perform no other function.
5. All exterior and interior trim, grills, moldings, vents, badges, and screens may be removed. Resulting holes may be covered.

8. Driver/Passenger Compartment:

a. Interior:

1. All seats and seat brackets may be removed.
2. In those automobiles where the rear seat back provides the only solid bulkhead between the driver/passenger compartment and an exposed stock gas tank, a metal bulkhead completely filling the exposed seat back opening shall be installed.
3. In those automobiles where rear seat back removal does not expose the stock gas tank directly to the driver/ passenger compartment, a metal (only) bulkhead is optional.
4. Any steering wheel except wood rimmed types may be used.
5. Any gear shift knob may be used.
6. Gauges and instruments are unrestricted. Any instrument panel may be used.

9.1.6. American Sedan (AS) Specifications

7. Any interior or exterior mirrors may be used.
8. Sun visors, seat belts and their attaching hardware and bracketry may be removed.
9. Complete removal of interior panels is allowed in all or part.
10. Any removable covers used to cover spare tires, tools, bins, etc., may be removed along with attaching hardware and bracketry.
11. Carpets, mats, and their insulating or attaching materials may be removed from the floor and recesses of the cargo/trunk/spare tire area.
12. Installation of air ducts to direct air to cool the driver is permitted. Air ducts to direct air to cool the driver can be installed behind the a-pillar. Duct and mount cannot exceed 8 inches in height by 12 inches in length. NACA-ducts may be mounted in the side windows or quarter windows.

9. Safety:

- a. Restraint Systems:
 1. Airbags/passive restraint systems shall be removed.
- b. Headlights:
 1. Headlight and headlight operating ancillaries may be removed.
 2. All resulting openings shall be covered by solid panels of an alternate material. These covers shall be of the same contour and plane as the original lens.
 3. OEM light assemblies (i.e. foglamps, driving lights, etc.) mounted on, in or below the bumper shall be removed. Resulting holes may be closed or used for the purpose of ducting air to the brakes, cooler and or radiator as permitted.
- c. Steering Column:
 1. The steering column is unrestricted.
 2. A collapsible type steering column is strongly recommended.
 3. The driver's normal seated position must not be relocated.
 4. Full Preparation cars that have OEM electric steering may remove it.
- d. Roll Cage - All cars must have a roll cage as specified in 9.4 Appendix I - 2007 roll cages, sections: 9.4, 9.4.1 and 9.4.4 GT Roll cages, or Appendix J – 2004 Roll Cage Rules.

10. Miscellaneous:

- a. Hardware/Fasteners:
 1. Hardware items (nuts, bolts, etc.) may be replaced by similar items performing the same fastening function(s).
- b. Wiring:
 1. Removal of wiring associated with a component which may be removed by these rules is permitted.
 2. All non-essential wiring, switches, gauges, horns, flashers, relays, and lights may be removed.
 3. Existing wiring may be substituted.

E. CAR CLASSIFICATION

No automatic transmissions, turbochargers/superchargers, or convertibles are permitted in American Sedan. Cars are classified by body style and engine displacement. NOTE: For competition in American Sedan, Full Preparation General Motors products shall be prepared to 1982-1992 Chevrolet Camaro and Pontiac Firebird engine and transmission specifications per current American Sedan Category Specifications. Full Preparation Ford products shall be prepared to the 79-93 Mustang engine and transmission specifications per the current American Sedan Category Specifications.

F. ENGINE BUILD SHEETS (Full Preparation only)

1. Full Preparation
(full prep verbiage)
2. Crate Motor equipped full preparation vehicles

The following "crate motors" may be utilized in Full preparation vehicles:
Ford Performance M-6007-D347SR7 engine assembly for Ford produced vehicles.
GM Performance parts CT400 P/N-19370604 engine assembly for GM produced vehicles.

No modifications may be made to these engine assemblies except the following listed components. All replaced components must be replaced with components meeting existing full preparation rules. If components are not furnished with the "Crate Motor" assembly, all additional components must meet existing Full preparation rules:

1. Oil pan and oil pump pickup.
2. Valve/Rocker covers
3. Distributor assembly
4. Spark plugs
5. Water pump
6. Thermostat
7. Fuel pump

Disassembly of the engine is permitted for repair. All components must be replaced with exact OEM replacement components.

"Crate Motor" equipped vehicles are not subject to additional weight additions due to increased displacement. Adjustments to min weights may be made to balance performance if necessary. Refer to specification line for minimum weight requirements.

No. of Cylinders: V-8

Bore (Max): 4.040"

Stroke (Max): 3.500"

Compression Ratio: 10.30 Max.

Piston to Deck Clr: Not to exceed 0.013" above block deck surface (zero deck)

Valve Lift: 0.5000" Max. @ 0.0000" lash

Head Casting #'s: see spec lines

BLOCK

Crankshaft Housing Bore: 2.4412-2.6416"

Block Deck Height:

GM: GM: 8.9970"-9.0430"

Ford: 8.1880-8.2240"

Bore Spacing:

GM: 4.4000"

Ford: 4.3800"

Roller bearings of any type are not permitted for the camshaft, rod, or crankshaft bearings.

Options:

1. One-piece rear main seal adapter (with seal) may be used.
2. Cylinder block oil restrictors may be installed.
3. Block may be machined for the purpose of installing cylinder O-rings.
4. Block may be machined to true warped surfaces.
5. Block casting seam flash may be deburred.
6. Lifter bore sleeving is permitted.
7. A maximum of two cylinders may be sleeved.
8. Steel main bearing caps and four bolt main bearing caps may be fitted provided no other modifications are made to any approved part or specified dimension. Blocks may be machined to accept four bolt bearing caps.

9. Alternate blocks may be used:

GM vehicles – Dart P/N SHP31161111 or World Product 084010

Ford vehicles – Dart P/N SHP31374175 or World Product 087110

9.1.6. American Sedan (AS) Specifications

CONNECTING RODS

Big End Bore: 2.2247-2.2398"

Pin Fit: Floating or Interference Fit

Center to Center: 6.00" Max

Material: Forged Steel / Cast Iron (No Billet)

Alternate Manufacturer: Any rod meeting the AS specs is permitted.

Options:

1. Wrist pin oiling holes may be added.

CAMSHAFT

Drive Type: Single or Dual-row chain

Lifter Type: Solid, flat-tappet

Lifter Dia: .8750" nominal

Options:

1. Camshaft thrust button may be installed

CRANKSHAFT

Main Journal Dia (Min): 2.2182"

Rod Journal Dia (Min): 2.0690"

Options:

1. Any commercially available steel crankshaft (cast or forged) which meets approved stroke, journal diameters and other specified dimensions and requirements is permitted. The minimum weight for any steel crankshaft shall be 42 lbs.
2. Crankshaft casting seam flash may be deburred.

PISTON

Material: Aluminum (Cast or Forged)

Ring Configuration: 3 rings, above pin

Dome Configuration: Any dome configuration is permitted.

Pin Diameter: .930" Max

Options:

1. Pins may be centered or offset. Offset shall not exceed factory specifications.

CYLINDER HEADS

Valve Job (Head): Refer to Figure 1

Intake Valve Size (Max): 1.94"

Exhaust Valve Size (Max): 1.55"

Port Volume (Max.): see spec line

Options:

1. Angle milling permitted on head gasket or intake manifold gasket surface(s) only. Modification or machining of exhaust manifold surfaces of cylinder head is prohibited.
2. Intake manifold surface may be milled to match angle milled head.
3. Heads may be machined to accept pushrod guide plates.
4. Heads may be machined to accept screw-in rocker studs.
5. Heads may be machined to for the purpose of installing integral o-ring head gaskets.
6. Heat riser passage may be blocked.
7. Valve spring pockets may be machined.

Notes:

1. Absolutely no modification, machining, tooling, etc. of the combustion chambers is permitted.

MISCELLANEOUS

1. Direct replacement high volume/pressure oil pumps may be fitted

provided that no modification to the engine is required for their installation. Alternate oil pump drive shafts may be fitted.

G. MEASUREMENT STANDARDS

Measurement standards shall be as specified in Appendix G. with the following exceptions: Wheelbase has a tolerance of + 2"/- 1".

Figure 1 Valve Seat Cutting Dimensions

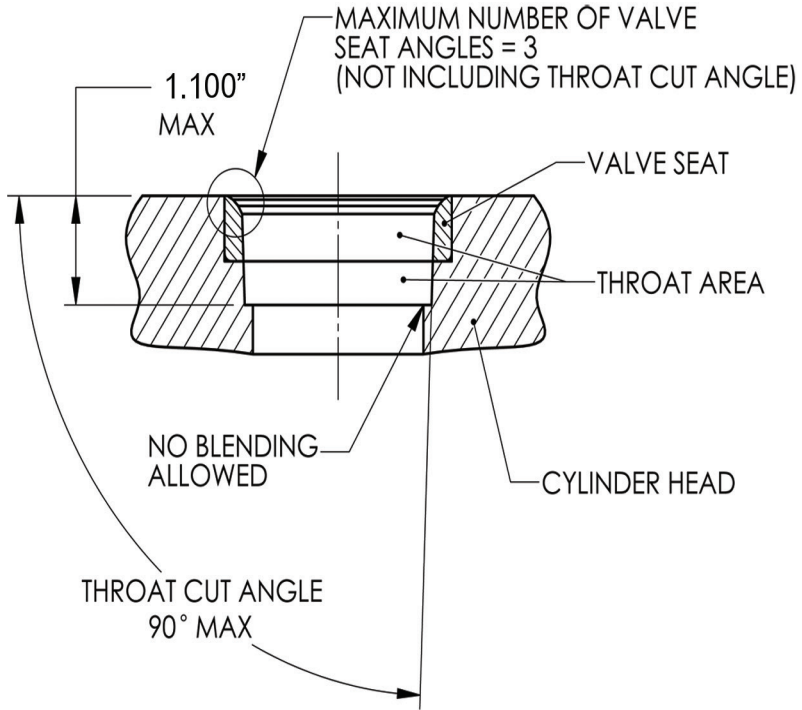
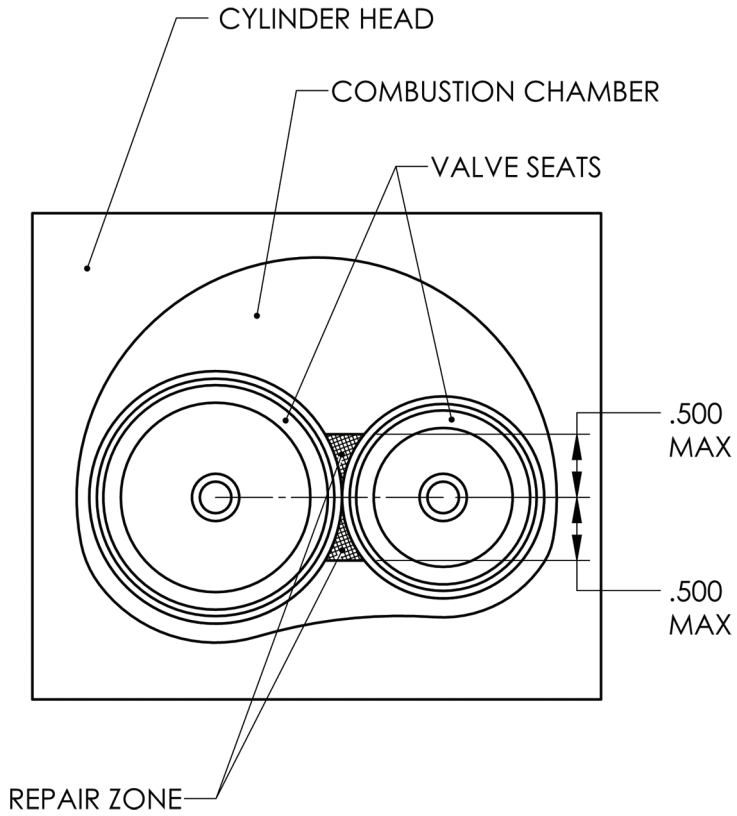


Figure 2 Aluminum Cylinder Head Repair Zone



AS	Wheel-base	Gear Ratios Std. (or Alt.)	Brakes (Max) (in/mm)	Weight (lbs.) (tire sizes are max)	Notes:
Cadillac CTS-V (04-07) Restricted Prep. 5.7L V8 (Aluminum block, Aluminum heads), LS6, 2 valves/cylinder Restricted Prep. 6.0L V8 (Aluminum block, Aluminum heads), LS2, 2 valves/cylinder	113.4	2.97, 2.07, 1.43, 1.00, 0.84, 0.56	(F) 355 Vented Disc (R) 365 Vented Disc	295 Tire: 3450	GM parts numbers 24255748 (Clutch), 12571611 (Flywheel), and 24237634 (Slave cylinder) may be fitted. Max. Wheel Size: Dia. 18.0 inches. LS6 engine: Compression Ratio, 10.7:1max; Cylinder Bore, 99 mm; Stroke, 92 mm; Intake Valve Diameter, 50.8; Exhaust Valve Diameter, 39.4 mm; Camshaft Lift @ Lobe, Intake (8.24 mm), Exhaust (8.19 mm); Camshaft Duration at .05 inches valve lift, (Intake, 204 degrees), (Exhaust, 218 degrees); Throttle Body Bore, 75 mm; Rocker Arm Ratio, 1.7:1. (Camshaft Lift tolerance .076 mm) LS2 engine: Compression Ratio, 11.1:1 max; Cylinder Bore, 101.6 mm; Stroke, 92 mm; Intake Valve Diameter, 50.8; Exhaust Valve Diameter, 39.4 mm; Camshaft Lift @ Lobe, Intake (7.78 mm), Exhaust (7.77 mm); Camshaft Duration at .05 inches valve lift, (Intake, 204 degrees), (Exhaust, 211 degrees); Throttle Body Bore, 90 mm; Rocker Arm Ratio, 1.7:1. (Camshaft Lift tolerance .076 mm). Either engine may be used in any car in this specification line, at the appropriate weight. ARE dry sump kit consisting of pump #3021S, Pan 1005M and oil tank 7007-2 or Aviaid dry sump kit #008-10001 consisting of pump 13110-1187, pan 52504-10001 and oil tank 57525 are allowed. Pumps may be driven by a crank mounted, toothed style pulley and belt. Plumbing, hardware, brackets, hoses, and fittings to install above kits are free. Alternate OEM/replacement part 5-lug wheel bearing allowed. SKF bearing p/n BR930081 (or equivalent) rear bearing, used on front and rear positions. Hub pilot may be machined down (up to 3mm) to allow fitment of Camaro SS brake rotors 92245928 (front, 13.9" diameter) and 92245929 (rear, 14.3" diameter). Stock CTS-V calipers to be retained. OEM Driveshaft may be replaced by Driveshaft Shop P/N – GMCTSV2-C (1-piece carbon fiber.)
Chevrolet/Pontiac Camaro & Firebird (82-92)	101.0	3.42, 2.28, 1.45, 1.00 or 2.95, 1.94, 1.34, 1.00, 0.73 or 3.35, 1.93, 1.29, 1.00, 0.61	13.1 x 1.27 Disc	3300 Over 313 CID 3500	Engine built to A/S Build Sheet specifications with the following: Head Casting #s: 14101081, 14014416 Port Volume (Max.): 081 casting: 170.00 cc IN/65.00 EX; 416 Casting 168.00cc IN/60.00 EX with a 250 lb weight reduction. Edelbrock Cylinder Head Part #s 608979, 608879 are permitted. For regional competition only, unmodified GM Performance cylinder head part #s 19300955, 19300956 may be used with Allstar restrictor plate part# ALL26180 and 1.250 inserts part# ALL26186 installed between intake manifold and insulator. Gaskets may be used (each gasket can be no thicker than .125 inches), one on each side of the restrictor. All intake air must pass through the inserts of the restrictor plate. Camaro only: To aid cooling, the center of the grill opening (license plate area), absorbing material, metal bumper in the resulting open area, and bumper backing may be removed. Alternate gear ratio sets 2.88, 1.91, 1.33, 1.00 or 3.27, 1.98, 1.34, 1.00, 0.68 are permitted. OEM-style ball joints with taller than stock stud lengths are permitted.
Chevrolet/Pontiac Camaro & Firebird (93-02)	101.1	3.42, 2.28, 1.45, 1.00 or 2.95, 1.94, 1.34, 1.00, 0.73 or 3.35, 1.93, 1.29, 1.00, 0.61	13.1 x 1.27 Disc	3300 Over 313 CID 3500	Underside of cowl may be modified to facilitate carb installation. The cowl and shock tower sheet metal may be modified to allow the installation of an 82-92 F-body brake booster and master cylinder. Engine/transmission installation procedure as provided by SCCA Road Racing Technical Department shall be utilized. Engine built to A/S Build Sheet specifications with the following: Head Casting #s: 14101081, 14014416; Port Volume (Max.): 081 casting: 170.00 cc IN/65.00 EX; 416 Casting 168.00cc IN/60.00 EX with a 250 lb weight reduction. Edelbrock Cylinder Head Part #s 608979, 608879 are permitted. For regional competition only, unmodified GM Performance cylinder head part #s 19300955, 19300956 may be used with Allstar restrictor plate part# ALL26180 and 1.250 inserts part# ALL26186 installed between intake manifold and insulator. Gaskets may be used (each gasket can be no thicker than .125 inches), one on each side of the restrictor. All intake air must pass through the inserts of the restrictor plate. Alternate gear ratio sets 2.88, 1.91, 1.33, 1.00 or 3.27, 1.98, 1.34, 1.00, 0.68 are permitted. BMR AA004 or UMI 2310 adjustable front upper control arm may be installed.
Chevrolet/Pontiac Camaro & Firebird (93-02) Restricted Prep. 5.7L V-8 LT1 (Iron Block, Aluminum Heads) 2 valves per cylinder 5.7L V-8 LS1 (Aluminum Block, Aluminum Heads) 2 valves per cylinder	101.1	2.97, 2.07, 1.43, 1.00, 0.80, 0.62 or 3.36, 2.07, 1.35, 1.00, .80, .62 or 2.66, 1.78, 1.30, 1.00, 0.74, 0.50	13.1 x 1.27 Disc	3200	98-02 stock brakes and/or spindles/knuckles may be used on all cars. Either engine/trans may be used as an assembly. Max compression ratio, 10.6:1, Parts specific to the SS Camaro and Firehawk/WS6 Firebird in the drivetrain/exhaust manifolds/headers/intake manifolds/intake components are not classified in American Sedan. Drivetrain/exhaust manifolds/headers/intake manifolds/intake components manufactured by, but not limited to Street Legal Performance (SLP), Inc., are not permitted unless specified. Any commercially available cold air intake that bolts onto the engine is permitted. No modifications to the body, chassis, grill or bumper are permitted when installing a cold air intake. May use flywheel/clutch as specified in the Full Prep American Sedan rules. Tremec Magnum transmission may be used as a replacement assembly for the OEM transmission. P/N-TUET16362. BMR AA004 or UMI 2310 adjustable front upper control arm may be installed. 5.7L LT1: GM Performance Parts camshaft Kit P/N-12480002 is permitted. Cylinder Bore, 101.6 mm; Stroke, 88.39 mm; Intake Valve Diameter, 49.3; Exhaust Valve Diameter, 38.1 mm; Throttle Body Bore, 48 mm (twin bore). The 5.7L LT1 engine has a 100 lb. weight reduction. 5.7L LS1: GM Performance Parts camshaft Kit P/N-19355738 is permitted. Cylinder Bore, 99 mm; Stroke, 92 mm; Intake Valve Diameter, 50.8; Exhaust Valve Diameter, 39.4 mm; Throttle Body Bore, 75 mm; SLP Intake Lid (SLP part number 21044 (98-99) and 21045 (00-02)) is permitted.
Chevrolet Camaro SS (V8) (10-15) Restricted Prep. 6.2L V8 (Aluminum Block, Aluminum Heads), 2 valves per cylinder	112.3	3.01, 2.07, 1.43, 1.0, .84, .57	(F) 355 mm X 32.1mm Vented Disc (R) 300 mm X 19.2Vented Disc	295 Tire: 3600	Max wheel Dia, 20.0 inches. 54mm flat plate restrictor required. Compression Ratio, 10.9:1 max; Cylinder Bore, 103.24 mm; Stroke, 92 mm; Intake Valve Diameter, 55.0; Exhaust Valve Diameter, 40.5 mm; Camshaft Lift @ Lobe, Intake (8.24 mm), Exhaust (7.27 mm); Camshaft Duration at .05 inches valve lift, (Intake, 204 degrees), (Exhaust, 211 degrees); Throttle Body Bore, 90 mm; Rocker Arm Ratio, 1.7:1. Camshaft lift tolerance .076 mm. ARE Dry Sump Kit #LS3-3Y permitted. Belt tensioner part number GM 12569301 allowed.

AS	Wheel-base	Gear Ratios Std. (or Alt.)	Brakes (Max) (in/mm)	Weight (lbs.) (tire sizes are max)	Notes:
Chevrolet Camaro (10-15)	112.3	2.95, 1.94, 1.34, 1.00, 0.73 Or 3.35, 1.93, 1.29, 1.00, 0.61	13.1 x 1.27 Disc	3400 Over 313 CID 3650	Max wheel size 20 X 10. Engine/transmission installation procedure as provided by SCCA Road Racing Technical Department shall be utilized. Engine built to A/S Build Sheet specifications with the following: Head Casting #'s: 14101081, 14014416; Port Volume (Max.): 081 casting: 170.00 cc IN/65.00 EX; 416 Casting 168.00cc IN/60.00 EX with a 200 lb weight reduction. Edelbrock Cylinder Head Part #'s 608979, 608879 are permitted. For regional competition only, unmodified GM Performance cylinder head part #s 19300955, 19300956 may be used with Allstar restrictor plate part# ALL26180 and 1.250 inserts part# ALL26186 installed between intake manifold and insulator. Gaskets may be used (each gasket can be no thicker than .125 inches), one on each side of the restrictor. All intake air must pass through the inserts of the restrictor plate. Alternate gear ratio sets 2.88, 1.91, 1.33, 1.00 or 3.27, 1.98, 1.34, 1.00, 0.68 are permitted.
Dodge Challenger (08-20) Restricted Preparation 5.7L, 6.1L, or 6.4L V8 (Iron block, Aluminum heads), 2 valves/cylinder	116.0	2.97, 2.1, 1.46, 1.00, 0.74, 0.50 or 2.26, 1.58, 1.19, 1.00, 0.77, 0.63	(F) 360 mm Vented Disc, 32 mm thick (R) 350 mm Vented Disc, 28 mm thick	315 Tire: 3600	Max. Wheel Size Dia. 20.0 inches. Stock brakes or alternate Dodge brakes (Part numbers: front caliper (05175106 (R) and 05175107 (L); rear caliper (R1542564 (R) and R1542565 (L))) may be used with the brake rotor sizes listed in this specification line. Compression Ratio: 10.9:1 max. Minimum ride height, 4.00 inches. Dodge 1GL20TZAB and 82211606 rear spoilers permitted. Dodge 68043390AA air dam permitted. Mopar Performance Parts LX LC LD Cold Air Intake System is permitted. Mopar Performance Parts camshaft stage2 Kit P/N-77072313AB is permitted on the 5.7l engine. 76mm flat plate restrictor is required on the 6.4L engine. All engine displacements are eligible in all model years, with each engine being used as a complete assembly. SPC-66045 front upper control arms are permitted.
Ford Mustang Incl. Cobra & Cobra R (79-93) and Mercury Capri (79-86)	100.4	3.07, 1.72, 1.00, 0.70 or 2.95, 1.94, 1.34, 1.00, 0.63 or 3.35, 1.99, 1.33, 1.00, 0.68	13.1 x 1.27 Disc	3200 Over 313 CID 3400	Engine built to A/S Build Sheet specifications with the following: Head Casting #'s: F3ZE AA (GT40), F1ZE-AA (GT-40), F77E-AA (GT-40P), Port Volume (Max.): 143.00cc IN/54.00cc EX (GT-40 & GT-40P) with a 250 lb weight reduction. Edelbrock Cylinder Head Part #s 602579, 602479 are permitted. For regional competition only, unmodified Ford Performance cylinder head part #s M-6049-Z304DA7, M-6049-Z304D may be used with Allstar restrictor plate part# ALL26180 and 1.250 inserts part# ALL26186 installed between intake manifold and insulator. Gaskets may be used (each gasket can be no thicker than .125 inches), one on each side of the restrictor. All intake air must pass through the inserts of the restrictor plate. Alternate gear ratio sets 2.88, 1.91, 1.33, 1.00 or 3.27, 1.98, 1.34, 1.00, 0.68 are permitted. OEM-style ball joints with taller than stock stud lengths are permitted.
Ford Mustang Including Cobra 94-04	101.3	2.95, 1.94, 1.34, 1.00, 0.63 or 3.35, 1.99, 1.33, 1.00, 0.68 or 2.88, 1.91, 1.33, 1.00 or 3.27, 1.98, 1.34, 1.00, 0.68	13.1 x 1.27 Disc	3300 Over 313 CID 3500	Hydro Boost braking system, Cobra R body work, and independent rear suspension are not permitted. Engine built to full prep A/S engine build specifications with Edelbrock Aluminum head 602579 and 602479. For regional competition only, unmodified Ford Performance cylinder head part #s M-6049-Z304DA7, M-6049-Z304D may be used with Allstar restrictor plate part# ALL26180 and 1.250 inserts part# ALL26186 installed between intake manifold and insulator. Gaskets may be used (each gasket can be no thicker than .125 inches), one on each side of the restrictor. All intake air must pass through the inserts of the restrictor plate..... Use of the following iron head castings presents a 250 lb weight reduction. Iron head casting F3ZE AA (GT40), F1ZE-AA (GT40), F77E-AA (GT40P). Max port volume on iron heads is 143 cc intake and 54 cc exhaust. OEM style ball joints with taller than stock stud lengths are permitted. Any stock Ford Mustang K-member 94-04 may be used.
Ford Mustang Cobra and GT 94-95 (Restricted Prep) 5.0 and 5.8 motor	101.3	3.35, 1.99, 1.33, 1.00, 0.68	13.1 x 1.27 Disc	3150 Over 313 CID 3250	Cold Air intake allowed. Max compression ratio = 9.2 : 1. 5.0 motor max lift at valve = .45" For the 5.8 motor, max lift at valve = .48" Full prep clutch, flywheel, headers, and OEM style balljoints with taller than stock stud lengths allowed. Updating and backdating within spec line is allowable.
Ford Mustang including Cobra 96-04 (Restricted Prep) 4.6L two and four valve motor	101.3	3.35, 1.99, 1.33, 1.00, 0.68 or 3.27, 1.98, 1.34, 1.00, 0.67 or 3.37, 1.99, 1.33, 1.00, 0.68 or 3.38, 2.00, 1.32, 1.00, 0.68	13.1 x 1.27 Disc	3150	Supercharged motor is not allowed. Cold Air intake allowed. Full prep clutch, flywheel, headers, and OEM style balljoints with taller than stock stud lengths allowed. bore = 90.2mm, stroke = 90mm. Trick flow engine kit TFS-K519-390-375 may be installed on two valve motors. Max valve lift with trick flow engine kit = .55" Max compression on 2 valve motor = 9.4 : 1. Max compression for 4 valve motor = 9.8 : 1. Max valve lift with 4 valve engine = .40" Updating and backdating within spec line is allowable.
Ford Mustang GT (05-14)	107.1	2.95, 1.94, 1.34, 1.00, 0.63 or 3.35, 1.99, 1.33, 1.00, 0.68	13.1 x 1.27 Disc	3400 Over 313 CID 3600	Engine/transmission installation procedure as provided by SCCA Road Racing Technical Department shall be utilized. Engine built to A/S Build Sheet specifications with the following: Head Casting #'s: F3ZE AA (GT40), F1ZE-AA (GT-40), F77E-AA (GT-40P), Port Volume (Max.): 143.00cc IN/54.00cc EX (GT-40 & GT-40P) with a 250 lb weight reduction. Edelbrock Cylinder Head Part #s 602579, 602479 are permitted. For regional competition only, unmodified Ford Performance cylinder head part #s M-6049-Z304DA7, M-6049-Z304D may be used with Allstar restrictor plate part# ALL26180 and 1.250 inserts part# ALL26186 installed between intake manifold and insulator. Gaskets may be used (each gasket can be no thicker than .125 inches), one on each side of the restrictor. All intake air must pass through the inserts of the restrictor plate. Alternate gear ratio sets 2.88, 1.91, 1.33, 1.00 or 3.27, 1.98, 1.34, 1.00, 0.68 are permitted.

GCR - 561

AS	Wheel-base	Gear Ratios Std. (or Alt.)	Brakes (Max) (in/mm)	Weight (lbs.) (tire sizes are max)	Notes:
Ford Mustang Coupe GT (05-14) Restricted Prep. (Aluminum Block, Aluminum Heads) 4.6L/5spd 3 valves per cylinder 5.0L/6spd 4 valves per cylinder	107.1	3.38, 2.00, 1.32, 1.00, 0.68 or 3.66, 2.43, 1.69, 1.32, 1.00, 0.65	(F) 355 Vented Disc (R) 300 Vented Disc	275 Tire: 3400 295 Tire: 3450	Max. Wheel Size: Dia.18.0 inches. Stock brakes or alternate Ford 14" Brembo Brake (Ford Racing Kit #M-2300-S) may be used. Either engine and/or trans may be used as an assembly. Tremec Magnum transmission may be used as a replacement assembly for the OEM transmission. P/N-TUKT16901. Max compression ratio, 11.2:1 4.6L engine: Any commercially available cold air intake that bolts onto the engine is permitted. No modifications to the body, chassis, grill or bumper are permitted when installing a cold air intake. Replacement exhaust manifolds, or "headers," as specified in the Full Prep American Sedan rules may be used. Ford Performance camshaft kit P/N M-6550-3V may be used. Flywheel/clutch, as specified in the Full Prep American Sedan rules may be used. The 4.6L engine assembly has a weight reduction of 300 lbs. 5.0L/6spd engine/trans: 56mm flat plate restrictor is required.
Ford Mustang GT 5.0l (15-17) Restricted Preparation	107.0	3.66, 2.43, 1.69, 1.32, 1.00, .65	(14.0/355)	295 tire: 3600	Max. Wheel Size: Dia. 18.0 inches. Stock brakes or alternate Ford Brembo Brake caliper (Ford Racing Kit #M-2300-S) may be used. 55mm flat plate restrictor required.
Pontiac GTO (04-06) Restricted Prep. 2004, 5.7L V8(Aluminum Block, Aluminum heads), LS1, 2 valves per cylinder 05-06, 6.0L V8 (Aluminum Block, Aluminum heads), LS2, 2 valves per cylinder	109.8	2.97, 2.07, 1.43, 1.00, 0.84, 0.57	(F) 320 Vented Disc (R) 286 Vented Disc	295 tire: LS1: 3300 LS2: 3350	Either engine listed permitted for any car classified in this specification line. 2004: Compression Ratio, 10.3:1 max; Cylinder Bore, 99 mm; Stroke, 92 mm; Intake Valve Diameter, 50.8; Exhaust Valve Diameter, 39.4 mm; Camshaft Lift @ Lobe, Intake (6.96 mm), Exhaust (7.13 mm); Camshaft Duration at .05 inches valve lift, (Intake, 197 degrees), (Exhaust, 207 degrees); Throttle Body Bore, 75 mm; Rocker Arm Ratio, 1.7:1. 05-06: Compression Ratio, 11.1:1 max; Cylinder Bore, 101.6 mm; Stroke, 92 mm; Intake Valve Diameter, 50.8; Exhaust Valve Diameter, 39.4 mm; Camshaft Lift @ Lobe, Intake (7.78 mm), Exhaust (7.77 mm); Camshaft Duration at .05 inches valve lift, (Intake, 204 degrees), (Exhaust, 211 degrees); Throttle Body Bore, 90 mm; Rocker Arm Ratio, 1.7:1. ARE dry sump kit consisting of pump #3021S, Pan 1005M and oil tank 7007-2 or Aviaid dry sump kit #008-10001 consisting of pump 13110-1187, pan 52504-10001 and oil tank 57525 are allowed. Pumps may be driven by a crank mounted, toothed style pulley and belt. Plumbing, hardware, brackets, hoses, and fittings to install above kits are free. Either engine may be used in any car in this specification line. Camshaft lift tolerance is .076 mm.
Spec Mustang (SMG) Restricted Prep.	107.1			3400	Must meet all requirements of Spec Mustang rules located in Appendix M. No other AS allowances may be used if the car is running under the SMG ruleset.

9.1.7. SPEC MIATA CLASS

These specifications are part of the SCCA GCR and all automobiles shall conform to GCR Section 9.

A. PURPOSE AND INTENT

The Spec Miata (SM) class is intended to provide the membership with the opportunity to compete in low cost, production-based cars with limited modifications, suitable for racing competition.

The rules are intentionally designed to be more open than the Showroom Stock class but more restricted than the Improved Touring class.

The original OEM vehicle identification number (VIN) stamped on the firewall shall correspond with the model year automobile classified. VIN plates or stampings shall remain in place, with the firewall VIN taking precedence.

B. CLASSIFIED CARS AND WEIGHTS

Classified cars and weights are listed on the Spec Miata Specification Table.

Cars are to be weighed with the driver and required ballast. See GCR Section 9.3 Ballast.

C. AUTHORIZED MODIFICATIONS

The following items represent the only modifications and safety items permitted and/or required on Spec Miata automobiles other than safety items as required in Section 9. Permitted components or modifications must not perform a prohibited function. Updating or backdating is not allowed for any car, model, specification, or component, except as specifically authorized in these rules.

A Mazda factory shop manual for the specific make, model, and year of automobile is required to be in the possession of each entrant. The manual may be in the form of printed material, microfiche, CDs, DVDs, and/or Internet access to manufacturer sponsored web-based databases. The manual is intended to aid scrutineers in identifying parts and the configuration of the automobile.

All engines and internal components used in rebuilding or refurbishment must have been offered for sale by Mazda in the US for the correct year and VIN of car, except as otherwise provided for in these rules. This rule prevents use of aftermarket parts or Mazda parts of incorrect specification or application.

Assembly, rebuild, and refurbishment procedures, and all associated dimensions must adhere to the published factory service procedures, except as otherwise stated in these rules. No components may be added or omitted from those specified by the published factory service procedures. All components must be standard dimensions. It is permitted to use industry standard procedures to repair damaged non-engine components (e.g., welding a transmission or differential housing).

Any water pump, timing belt, or alternator of original equipment manufacturer design, dimensions, and specification may be used.

The use of any painting, coating, plating, or impregnating substance (e.g., anti-friction, thermal barrier, oil shedding coatings, chrome, anodizing, REM, isotropic finishing, etc.) to any internal engine surface, internal transmission, drive axle assembly or differential surface, internal or external surfaces of the intake manifold, exhaust manifold or downtube is prohibited.

If the factory manual or these rules provide only a partial specification or no specification at all, the Mazda parts may not be modified beyond what is allowed in these rules. Compliance of such parts will be determined by comparison to new parts delivered by Mazda. Other approved parts with only a partial specification or no specification available in these rules may not be modified. Compliance of such parts will be determined by comparison to new parts from the supplier.

1. Engine Modifications

a. General

1. No modifications to this engine are allowed, except where specifically authorized within these rules. This includes, but is not limited to, all fuel injection and engine management components, as well as electrical, cooling, and lubrication systems. All systems are subject to test procedures and must conform to OEM specifications as stated in the Mazda factory service manual.
2. Permitted engine maintenance includes the replacement, but not modification, of external engine and engine systems parts. No balancing, blue printing, lightening, polishing, or other modification of moving parts of the engine is permitted. All parts in the engine must be stock Mazda OEM parts unless specified in this rule set. For all Mazda part numbers in these specifications, superseding part numbers are considered equivalent.
3. Compression ratio for 1.8L engines shall be calculated using the official Spec Miata calculator. The calculator can be downloaded on scca.com: <http://www.scca.com/pages/scrutineering-forms-procedures>

b. Block

1. The engine block may be decked/milled to achieve the factory specified compression ratio for the correct model year as listed. Honing of cylinders is permitted to a maximum standard

9.1.7. Spec Miata (SM) Specifications

diameter as shown in the SM spec lines.

2. Cast iron cylinder liners (sleeves) as previously permitted may be used in both Regional and National racing through 6/28/13. Regions may continue to allow sleeved blocks via supplemental regulations.
3. The cylinders may be bored .010" over to a maximum overbore ("alternate") diameter shown in the SM spec lines.
4. If one or more cylinders is overbored or exceeds the maximum standard diameter specified in paragraph 1, the vehicle shall meet the "minimum weight with overbored motor" specified in the vehicle specifications.

c. Crankshaft

1. The stock Mazda Miata crankshaft must be used with no modifications except for machining to allow the use of main and rod bearings as allowed in section 2 below. Shot peening to stress relieve the crankshaft after machining is permitted. Table 3 lists the permitted crankshaft for each model year and the minimum weight (not including pilot bearing or hardware).

Table 3: Crankshaft Weight		
Model Year	Part Number	Minimum Weight (lbs.)
90-93 (short nose)	B617-11-300	26.5
90-93 (long nose)	B6S7-11-300A	26.5
94-05	BP06-11-300D	35.6

2. Main and rod bearings must not be modified in any way. OEM and non-OEM bearings must be used from within the standard ranges as allowed in the Mazda factory service manual. The crank triggers must not be altered or modified in any way. The crank pulley/balancer must not be altered or modified in any way.

d. Connecting Rods

1. Mazda part number B6S7-11-210E must be used. Minimum connecting rod weight with cap and bolts is 537 grams.

e. Pistons

1. Mazda OEM pistons must be used. Minimum weights less wrist pin and hardware and minimum weights of wrist pins are shown in the following table:

Table 4: Piston Weight & Max. Diameter				
Model Year	Part Number	Min. Weight w/o wrist pin and hardware (grams)	Min. Weight Wrist Pin (grams)	Max. Diameter
90-93 (STD.)	B6Z2-11-SA0C	271.5	86.0	77.974 mm 3.0698 in
90-93 (.010" over)	B6Z2-11-SB0C	TBD	TBD	78.217 mm 3.0794 in
94-97 (STD.)	BPY11-11-SA0A	291.5	80.0	82.975 mm 3.2667 in
94-97 (.010" over)	BPY1-11-SB0A	TBD	TBD	83.225 mm 3.2765 in
99-00 (STD.)	BPZ0-11-SA0	288.0	78.0	82.975 mm 3.2667 in
99-00 (.010" over)	BPZ0-11-SB0	TBD	TBD	83.225 mm 3.2765 in
01-05 (STD.)	BPZ3-11-SA0	288.0	78.0	82.975 mm 3.2667 in

01-05 (.010" over)	BPZ3-11-SBO	TBD	TBD	83.225 mm 3.2765 in
--------------------	-------------	-----	-----	---------------------

- No modification of the piston is permitted. Modification of the piston ring end gap width is allowed.

f. Cylinder Head

- The gasket face of the cylinder head may be resurfaced provided the maximum compression ratio is not exceeded and the minimum height of the cylinder heads are maintained. The minimum heights of the cylinder heads as measured in the factory service manual allowed are shown in table 5.

Model Year	Minimum Height (inches)
90-93 (1.6L)	5.235
94-05 (1.8L)	5.235

- The cylinder head must not be ported, polished, or machined. The original casting must not be modified in any way or polished unless specified below.
- The throat area of the port consists of the 90 degree angle at the very bottom of the cast steel valve seat as it transitions to the aluminum casting below. It is permitted to plunge cut the throats in order to correct for core shift that is commonly found in many cylinder heads. The cut must be cylindrical and concentric to the valve guide axial centerline, within a tolerance of .005", for the entire length of the cut. The radius tangent to the cylindrical and bottom surfaces shall not exceed 0.375". This cut cannot extend further than the specified number below from the bottom of the ferrous valve seat. There can be no tooling or machine marks in the head below this point (including OEM machine marks). The intersection of the machined surface of the plunge cut to the port casting shall not be altered, except that the area under the short turn radius may be de-burred, with the de-burring not to exceed 1.5 mm in width. The 90 degree bend at the bottom of the valve seat and the aluminum directly below it will be measured with a gauge and must conform to the maximum diameters and depths listed in Table 6.

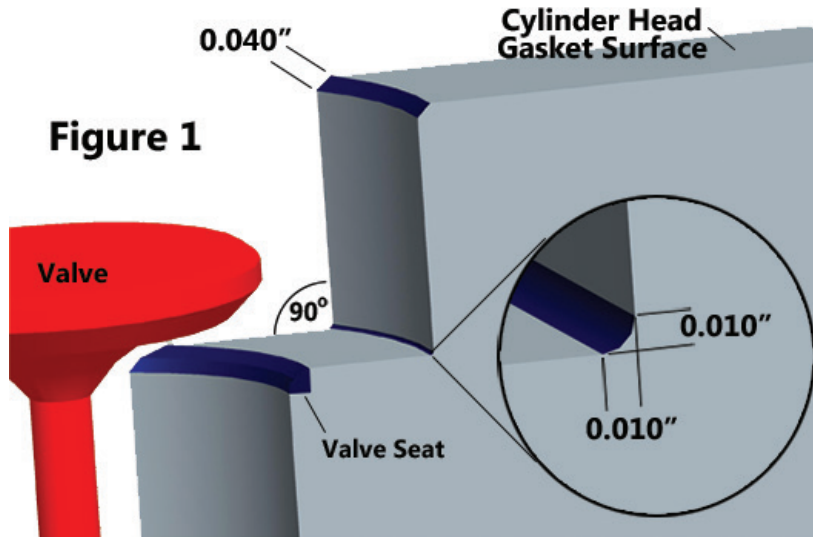
Engine	Maximum Intake Throat Diameter (inches)	Maximum Exhaust Throat Diameter (inches)	Maximum Throat Depth (from bottom of ferrous valve seat (millimeters))
1.6L	1.095	0.948	12
1.8L	1.178	1.020	12

- No aluminum in the bowl area (other than that specified for the plunge cut) or the ports may be removed, added, or manipulated for any reason. It is understood that heads may look slightly different from bowl to bowl due to casting irregularities. No material may be removed (except as permitted in section 9.1.7.C.1.f.3) or added from the short turn radius in the port.
- Unshrouding of valves is explicitly limited as follows: The wall of allowed relief cut must be a single cut parallel and concentric with the valve guide for the full depth of the cut. The cut must be cylindrical with no taper. The bottom of the cut must form a 90 degree angle with an allowance for a bevel or curve whose radius is not to exceed .010". There must be a sharp, non-modified and non-deburred edge where the valve relief cut first meets the chamber. No part of this cut (except where it intersects the head gasket surface, which may be deburred up to .040") is to be blended by hand, machined, or chemically processed to create a smooth transition. See figure 1 below. The maximum dimensions, measuring guide center line to chamber edge can be found in Table 7.

Table 7: Relief Cut Radius

9.1.7. Spec Miata (SM) Specifications

Engine	Maximum Intake Valve Relief Cut radius (inches)	Maximum Exhaust Valve Relief Cut radius (inches)
1.6L	0.687 Radial	0.600 Radial
1.8L	0.760 Radial	0.675 Radial



g. Camshaft

1. Camshafts must comply with the official camshaft specifications as supplied by the SCCA Road Racing Tech Department. The camshaft and crankshaft sprockets must be as supplied by Mazda. Cam timing must not be altered; the belt must be installed as specified in the Mazda factory service manual.

h. Valves

1. OEM valves must be as supplied by Mazda. Valve location or angle must not be moved. Reshaping of the valves is strictly prohibited. Valve guides may be replaced provided the position of the valve is not changed and the replacement guides are Mazda OEM parts. Valve stem installed height must be per the Mazda factory service manual: Valve stem seals must be Mazda OEM or equivalent. Valve seats may be cut provided the valve seat angles are stock Mazda three angle cut, as defined below.
2. A valve job will consist of only three flat angles; radius cuts are not allowed. A 45 degree seat angle must be used, which may vary in width from .030 inch to .050 inch. To narrow or correctly position the face angle, a bottom angle of 70 degrees must be used. To narrow or correctly position the face angle, a top cut of 30 degrees may be used. All angles must stay on the cast steel block portion of the seat. The angles must not extend off the seat into the aluminum casting at the top or bottom of the seat.

i. Valve Springs

1. Valve springs are Mazda OEM as specified in the Mazda factory service manual. Valve spring shims are not permitted except the one standard shim that is used under every valve spring. Only the Mazda shim may be used and the OEM dimensions must be maintained.

j. Intake Manifold

1. The intake manifold must be stock Mazda parts, without any material added or removed. No coating is permitted on the exterior or interior of the manifold. Injectors must be stock Mazda OEM parts, correct for the model year of the car. All air entering the intake tract shall pass through the fuel injection air inlet.

- a. 1.6L (1990-1993) cars may replace the stock air box with a cone style air filter assembly. The air filter element is unrestricted. No ducting or baffling of air to the air filter is permitted.,

however, the forward-facing driver's side turn signal indicator may be removed. The stock plastic air tubes between the AFM and the throttle body may be covered or wrapped.

- b. 1.6L cars may open and adjust, but not modify, the OEM airflow meter. For 1.6L cars, the position of the air flow meter may be moved provided it remains attached to the unmodified factory intake tube.
- c. 1.8L cars must use the stock air box, but the air filter element is unrestricted. Mass air flow sensors may not be modified, adjusted or opened.
- d. 1.8L cars must use an air restrictor plate. The restrictor plate must be placed between the throttle body and plenum. All intake air must pass through the restrictor plate. Restrictor plates must be the proper size as listed in the specification table, must be from Mazdaspeed Motorsports Development or from SCCA Enterprises, and must not be modified. An OE (or equivalent) gasket shall be used on both sides of the restrictor plate.
- e. 2001-2005 cars may replace air intake tube (p/n BP6D-13-331) with the 1999 air intake tube (p/n BP4W-13-331B).

k. Fuel system

1. The fuel pump and filter must be a Mazda or OEM equivalent part. Any adjustable mechanical fuel regulator may be used. It may not be mounted in the cockpit. It may not be adjusted electronically or from the cockpit. Cars equipped with a factory installed manifold vacuum reference for the fuel regulator may use it, but it must not be altered in any way. Refer to GCR Section 9.3.26 Fuel for permitted fuel specifications and for the required fuel sample acquisition port.
2. Fuel filler tube venting may be defeated (loop or block vent lines in trunk).

l. Exhaust system

1. 1.6L (1990-1993): The exhaust manifold internal factory welds may be ground from the interior of the OEM exhaust manifold up to 1" from the mounting surfaces of the cylinder head and the collector. A bead of weld or braze may be added to the outside of the exhaust manifold inlet and outlet mounting flanges for the purposes of repair only. No coatings are permitted on the exterior or interior of the manifold. Heat wraps may not be used.

1.8L (1994-1997): A bead of weld or braze may be added to the outside of the exhaust manifold inlet and outlet mounting flanges for the purposes of repair only. No material may be removed. No coatings are permitted on the exterior or interior of the manifold. Heat wraps may not be used.

All other years: The exhaust manifold must be Mazda OEM, without any material added or removed. No coatings are permitted on the exterior or interior of the manifold. Heat wraps may not be used.

2. The 1999-05 Miatas with California emissions equipment may substitute the Federal OEM exhaust manifold and ECU for the OEM CA exhaust manifold and catalytic converter.
3. The post catalytic converter oxygen sensor may be disabled, replaced, relocated, or removed; the resulting hole (if present) may be plugged. Original exhaust system heat shields may be removed.
4. The factory exhaust system beyond the OEM front down pipe may be replaced, provided the following are true:
 - a. The replacement system retains the original configuration (i.e., single tube design) and the tubing is an absolute maximum of 2.3 inches outside diameter as measured at least 6" from downpipe flange or muffler. The maximum length of tubing used for the system beyond the OEM down pipe shall not exceed 120 inches (includes catalytic converter replacement pipe if used).
 - b. The pipe may end anywhere after the rear subframe. Forward of the rear subframe, the pipe must follow the original path of the OEM exhaust system. The exhaust system shall not create any new openings in the rear bumper.
 - c. No expansion chambers. Up to two muffler(s) may be added. The muffler(s) shall not exceed a maximum length (parallel to the longitudinal centerline of the car) of 34 inches. The muffler(s) shall not exceed a maximum width of 24 inches (parallel to the lateral centerline of the car). In addition, the sum of the length and width of the muffler(s) shall not exceed 40 inches.
 - d. The system meets all event specific sound requirements.
 - e. A catalytic converter may be gutted, removed, or replaced with a catalytic converter replacement pipe. The replacement pipe must not exceed 17.5 inches in length and have an outside diameter no greater than 2.375 inches.
 - f. No portion of the exhaust may be wrapped with any type of insulating tape, nor shall any portion of the exhaust, internal or external, be coated with any thermal coatings.

m. Lubrication System

1. The oil pan must be as supplied by Mazda. No modifications are permitted. The windage tray must be used and must not be modified in any way.
2. Allow any OEM equivalent Mazda Miata oil filter.

n. Cooling System

1. The water pump must be a Mazda or an OEM equivalent part. The water pump pulley must be the stock Mazda part. No modifications are permitted.
2. Any radiator (and mounting brackets) may be used, provided it is mounted in the original location, maintains the same plane as the original core, and requires no body or structure modifications to install, and serves no other purpose (ex. directing cold air to the airbox). Any openings created by fitting an alternate radiator must be blocked to prevent air from entering the engine compartment. The top gap between the radiator core support and the radiator may be blocked. At least one functional stock OEM cooling fan must be maintained and mounted in the stock location. The fan shroud may be modified for installation.
3. Thermostats may be modified, removed, or replaced.
4. All 1990-1997 cars may install the upper radiator seal, p/n NA75-50-OK7A.
5. A radiator screen of .125 inch minimum mesh may be added in front of the radiator. The screen must be a single layer and installed behind the front bumper cover and attached to the air guide. Tape may be applied to the mesh.
6. The factory air conditioning systems may be removed. Items that serve a dual purpose, such as the alternator/air conditioning compressor bracket, may not be substituted.
7. Engine coolant fluid, coolant/heater hoses and clamps may be substituted. Upper and lower radiator hoses may be replaced only with rubber or silicone hoses. Heater core may be bypassed but may not be modified or removed. Heater water control valve(s) may be added or substituted.

o. Electrical Equipment

1. Batteries may be replaced with those of an alternate manufacturer, provided they are of similar amp-hour capacity, size, and are fitted in the standard location. Batteries shall weigh 18.0-28.0 lbs. Additional battery hold-down devices may be used and are strongly recommended.
2. ECU to Engine Harness (Mazda P/N - 0000-10-020E-99) and Injector Harness (Mazda P/N 0000-10-080D-99) may be used on 1999 and 2000 model year cars. They must be used in their entirety and may not be modified in any way.
3. The alternator may be OEM equivalent. The alternator drive pulley must be stock. The Alternator must not be externally regulated or disabled in any way other than by the OEM production ECU/Wiring circuit and Master Kill switch.
4. Ignition coils must be stock Mazda parts. No modifications are permitted. Spark plugs and spark plug wires may be substituted. Ignition timing is unrestricted within stock adjustment capability. For 1999-2005 model years only, it is permitted to alter the ignition timing either by elongating the mounting holes of the stock crankshaft position sensor trigger wheel or by replacing it with the Mazda adjustable trigger wheel, part number 0000-10-5100-AJ. Fasteners (including upsizing) are open for pulley/timing plate attachment.
5. The ECU, engine and emission electrical harnesses must be as supplied by Mazda. No circuit modifications are permitted. The ECU maps and inputs must not be modified. Chips may not be replaced. The OBDII diagnostic port must be operational in all 1996-2005 cars. Damaged harness wires and/or connectors may be repaired by splicing of OEM equivalent connectors and leads.
6. All sensors related to engine operating parameters must be used and must be stock Mazda parts. These sensors and their locations and mounts, and their wiring harness leads may not be altered except as allowed in the section below. Any sensors required for analog type gauges must be in addition to the Mazda sensors. Data acquisition sensors may be added. Relocating/removal of the oil pressure sending unit in order to install an oil pressure gauge is permitted. On 96-05 cars a single fixed bracket may be installed to support and secure the crank position sensor (CPS) in its stock location. The bracket may only attach to the CPS, the CPS mounting bolt, and the closest oil pump threaded mounting hole and must serve no other purpose.
7. An electrical pigtail ranging from 3" to 6" in length and terminated with any 3 pin electrical connector may be soldered and potted to the OEM cam sensor for the purpose of correcting a known issue with the factory connection. The factory harness connector may be removed and

replaced with the appropriate mating connector.

8. It is permitted to remove the horn.
9. It is permitted to remove all components of the cruise control system.
10. Auxiliary control of the radiator cooling fan may be added to activate the fan independent of the ECU. OEM control of the fan must remain functional.

p. **Flywheel**

1. The stock Mazda flywheel must be used. No modifications are permitted except for normal resurfacing for clutch wear. Table 8 provides minimum weights with pilot bearing:

Model Years	Minimum Weight (lbs)
90-93	17.6
94-05	17.0

2. The 94 model year may use the flywheel from the 95-05 model years. If the 1994 flywheel is used, it must weigh a minimum of 18.5 lbs.

q. **Clutch**

1. All cars must use either the stock OEM pressure plate or the ACT pressure plate (Mazdaspeed p/n: 0000-0205401-SS – 1.6L cars or 0000-0205404-AC – 1.8L cars). The unmodified pressure plate must be bolted directly to the stock, unmodified flywheel. Any clutch disk may be used. Alternate clutch lines are permitted, must serve no other purpose.

r. **Miscellaneous**

1. The use of the following non-standard replacement parts are permitted provided the use does not result in any unauthorized modification of any other component.
 - a. Fasteners – nuts, bolts, screws, washers, studs, etc. (Head bolts, rod bolts, and flywheel bolts must be used as provided by Mazda.)
 - b. Gaskets and seals, except those specified in the above rules
 - c. Mechanical tachometer and analog gauges
 - d. Oil and lubricants

2. **Transmission/Final Drive**

- a. Transmission and final drive ratios must remain stock for the year of car. All cars shall only use the 5 speed transmission and the 4.3 differential ratio. Transmission gear ratios must be stock. All cars may use the stock 4.3 unmodified OEM open differential or one of the approved alternates listed below.

- b. *Mazda Motorsports 5 speed transmission gear set kit part number 0000-02-5800 may be used. If the Mazda Motorsports competition gear set is used, it must be used in its entirety without any modifications or alterations. Mixing and matching of the OEM gear set components and the Mazda Motorsports competition gear set components is not permitted.*

Mazda Motorsports competition gear set consists of the following parts:

- (1) 5/R Hub and Slider*
- (1) 2nd Gear - One Piece Synchro*
- (1) 3rd Gear*
- (1) 5th Gear Pair .81 Ratio*
- (1) Input Shaft*
- (1) Counter Shaft*
- (1) Countershaft Splined Collar*
- (1) Thrust Washer*

9.1.7. Spec Miata (SM) Specifications

- c.* 1990 to 1993 Miatas may use the stock, unmodified viscous limited slip differential or the MAZDASPEED Motorsports Development limited slip differential, part number #QN10-64-A00 (previously TOY1-27-200 & 0000-02- 5501). Alternate MAZDASPEED #0000-02-5500 limited slip differential is permitted.
- d.* 1994 and newer cars may use the stock limited slip (Torsen or Tochigi Fuji) differentials from 94-05 models. 4.3 gear ratio must be retained.
- e.* The 90-93 Miatas may convert to the 94-05 differential assembly and must retain the 4.3 differential gear ratio. This conversion includes the driveshaft and half-shafts. The original 90-93 model rear suspension uprights must be retained.
- f.* Lubricants may be substituted with any lubricant.
- g.* Updating or backdating of transmissions (inclusive of shifters) from 90-05 is permitted; OE shifters must be retained.
- h.* Transmission countershaft spacer Mazda p/n M504-17-304 may be replaced with a splined spacer, Mazda part number 0000-02-5722-SP.
- i.* Reinforcement of the differential housing ears is allowed for the purpose of repairing or reducing breakage at the factory stress riser "notch".
- j.* Rear drive axle assembly consisting of constant velocity joints (inner and outer), axle shafts, boots and all associated parts that make up a complete drive axle assembly must be an OEM part. All internal component dimensions are un-restricted but must be ferrous material.

3. Chassis

Suspension modifications are limited to the addition of the MAZDASPEED Motorsports Development "Spec Miata kit" and those modifications detailed in this area.

- a. MAZDASPEED Motorsports Development Spec Miata kit
 - 1990-93 1.6 DOHC K-SPEC-M5-SUSP
 - 1994-97 1.8 DOHC K-SPEC-M5-SUS8
 - 1999-up 1.8 DOHC K-SPEC-M5-SUS9

The following is a breakdown of components supplied within these kits. All parts numbers are MAZDASPEED Motorsports Development parts numbers. No substitution of parts is allowed. The kits must be used in their entirety, except as specified.

1. Shocks (including internals) must be as delivered by Bilstein/Mazda/Penske. No modifications to the compression and/or rebound forces are allowed.

Bilstein

Front MAZDASPEED part #: 0000-04-5225-BL

Bilstein part # stamped on front shock:

B46-1488 or 24-014885

Rear MAZDASPEED part #: 0000-04-5226-BL

Bilstein part # stamped on rear shock:

B46-1489 or 24-014892

Penske

Front Penske SM Shock Mazda part #: 0000-04-5275

Rear Penske SM Shock Mazda part #: 0000-04-5276

Penske SM Shock Kit w/Top Mount Mazda part #: 0000-04-5720-KT

- a. All Runoffs competitors must run the new Penske shock and mount.
- b. All Majors competitors must run the authorized Penske shock and mount.
- c. Regional competitors are not required to run the Penske shock and mount. This will be evaluated each year.
- d. Competitors utilizing Penske shocks must utilize Penske top mounts/bump stops on all 4 corners. Competitors utilizing Bilstein shocks must utilize OEM top mounts/Fat Cat bump stops on all 4 corners. No mixing of components. See below for more details.

2. Springs

Front Eibach ERS 700 lbs/6" 0000-04-9700-06

Rear Eibach ERS 325 lbs/7" 0000-04-9325-07

3. Coil-Over kit

Front/Rear 0000-04-5402AW: The sleeves and perches may be replaced with parts of the same material and dimensions.

4. Anti-Roll Bars

K-SPEC-M5-SUSP

Eibach kit - front / rear bars 0000-04-5302-EB

Front 24mm Adjustable

Rear 15mm Adjustable

K-SPEC-M5-SUS8 or may use adjustable 24 mm front bar from Eibach kit 0000-04-5302-EB.

Eibach kit - front / rear bars 0000-04-5303-EB

Front 27mm non-Adjustable

Rear 15mm Adjustable

or

Eibach kit - front / rear bars 0000-04-5305-EB / Eibach 5515.320

Front 24mm Adjustable

Rear 15mm Adjustable

K-SPEC-M5-SUS9

Eibach kit - front / rear bars 000-04-5304-EB

Front 27mm non-Adjustable

Rear 15mm Adjustable

- b. All cars utilizing Bilstein shocks shall use the Fat Cat Motorsports Spec Miata shock mount/bump stop kit (p/n FCM-MT-KIT-SM) unmodified and in its entirety in conjunction with the 1999-2005 stock upper shock mount hats (p/n: NC10-28-340C). All other OEM upper mounting hardware shall be discarded. No other modifications are allowed.

All cars utilizing Penske shocks shall use the Penske top mount/bump stop kit Mazda part #: 0000-04-5277.

- c. Subframe braces may be updated to stock 1997 configuration utilizing the MAZDASPEED Motorsports Development Spec Miata kit. 2001-2005 (VVT) model years must remove the additional intermediate underbody/floorpan attached bracing (Mazda part number N067-56-G11A Base plate & part number N067-56-H10A cross member).
- d. Anti-roll bar links may be replaced and may be adjustable, but the attachment points must remain stock. The control arms and specified anti-roll bar may not be modified. One end of the sway bar(s) may be disconnected as a suspension tuning aid. The bar must remain in place and be solidly attached to the suspension on one end. A locating ring for the rear anti-roll bar may be added; it must serve no other purpose. Metal shims of up to 1/8" total thickness may be added between each anti-roll bar mount shackle and its stock mounting point on the chassis.
- e. Suspension alignments (camber, caster, toe) are unrestricted within the limits of the unmodified factory adjustments. Minimum ride height is unrestricted.
- f. No relocation or reinforcement of any suspension component or mounting points is permitted.
- g. Hardware items (nuts & bolts) may be replaced by similar items performing the same fastening function(s).
- h. Manual or power steering racks may be used. Power steering racks may be converted to manual and the 2-piece pinion shaft may be welded. Removal of power steering components is allowed.
- i. Towing eyes per GCR Section 9.3 Towing Eyes are required. Stock towing eyes may be modified, replaced, or removed but may serve no other purpose.
- j. Hubcaps and wheel trim shall be removed.
- k. All chassis/structural/electrical repairs, if performed, shall be in concurrence with factory procedures, specifications, and dimensions. Unless specifically authorized by the manufacturer for repair or allowed by these rules, no reinforcement, i.e., seam welding, material addition, etc., is permitted.
- l. The front shock tower connector/brace is not permitted on the 1999 and newer cars.
- m. The Mazdaspeed motor mount, part NAY1-39-040 is allowed.
- n. All cars are permitted to use the "R" model tie rod ends part # N021-32-280A.
- o. The rubber vibration damper may be removed from the pinion flange on 1994 and newer differentials.
- p. For camber adjustment, only one of the following may be utilized:
1. Inner suspension bushings, on the front upper control arms, may be replaced with non-metallic offset bushings. The bushings may use metal (inner and/or outer) sleeve(s). Material and design must be the same in all four positions. The control arm may be modified to allow for

9.1.7. Spec Miata (SM) Specifications

pinning the bushing to prevent rotation. Spherical bearings are not allowed.

2. Or, Extended lower ball joints, manufacturer part number BL-ELBJ, with BAUER suspension laser etching (etching MUST be visible on ball joint) may be used in place of stock front lower ball joints.
- q. To facilitate frequent lifting of the vehicle without causing damage, one piece of steel angle iron or square steel tubing may be added under the rocker panel inboard of the factory pinch weld flange on each side of the car. Angle iron and/or square steel tubing dimensions shall not exceed 12" x 1" x 1" x .125 thick. The added support shall be securely fastened to the car and serve no other purpose.
- r. Mazda competition front hub part number 0000045HUB-ST is permitted.
- s. Front subframes may be reinforced by use of Mazda Part #0000-04-5989 (Subframe Reinforcement). If installed, the Subframe Reinforcement shall be welded around the perimeter only. No other modifications to subframes are permitted.
- t. For purposes of making engine installation easier, it is permitted to create a vertical slot between the top 2 factory mountingholes on the driver's side of the subframe to match the existing slot on the passenger side. The subframe is comprised of a top and bottom layer of sheet metal. The only modifications permitted are to the top layer of sheet metal to match the bottom layer of sheet metal which is already slotted. The slot may only connect the two existing holes and shall not exceed the width (.43") or height of the existing OEM holes. No material may be added.
- u. NA 90-97 cars may use the OEM Mazda 99-05 (NB) model year rear uprights. NA Cars upgrading to the OEM Mazda NB rear upright must use the NB rear upright on both sides of the car. Mismatching of rear uprights is not allowed.
- v. On the upper control arms, the original outer mounting holes may be slotted to obtain additional camber. The max slot size shall not exceed 0.433" X 0.600". No material shall be added.

4. Brakes

- a. Backing plates and dirt shields may be ventilated or removed.
- b. Brake lines may be replaced with steel lines or Teflon lined metal braided hose.
- c. Cars with antilock braking systems must have the system disabled as specified in GCR 9.3 Brakes.
- d. Parking brake mechanisms, and actuating components may be removed.
- e. Brake pads and brake fluid are unrestricted
- f. 2001 and newer cars must use the 255mm(F) and 252mm(R) brakes. The larger brakes 269.5mm(F) and 267.9mm(R) are not permitted.
- g. A single bracket per rear brake caliper for the purposes of keeping the rear brake calipers in place in the event of a rear upper caliper pin failure is permitted. It must be installed under the head of the rear upper caliper retaining bolt and may serve no other purpose.

5. Wheels

Any wheel/tire may be used within the following limitations:

- a. Required rim diameter is fifteen (15) inches. Maximum rim width is seven (7) inches. Minimum weight of wheel shall be 13 lbs. without spacers. All four wheels must be the same dimension including offset.
- b. All wheels must be one-piece metal castings (not multi-piece wheels, bolted, riveted or welded together).
- c. The front track shall not exceed 1450 mm. The rear track shall not exceed 1475 mm as measured per Appendix G, Measuring Track.
- d. Aftermarket wheel studs, lug nuts, and wheel spacers are permitted. If spacers are used, they shall be no greater than 13mm and equal per axle.
- e. Tire tread (that portion of the tire that contacts the ground under static conditions) shall not protrude beyond the fender opening when viewed from the top perpendicular to the ground. To determine compliance, the vehicle should be rolled through a powdered substance, as raced with driver, in order to indicate the tire tread contact patch under static conditions.

6. Tires

Competitors must use the official Hoosier Dry tire or Wet tire for Regional and Majors competition.

- a. Tires must be used in complete sets. No mixing of wet and dry tires on the car. *Tires must be run unmodified.*
- b. Hoosier *dry* P205/50ZR15 SM7.5. *Hoosier wet P205/50ZR15 SMW.*

7. Body/Structure

- a. Fenders and wheel openings shall remain unmodified. It is permitted to roll under or flatten any interior lip on the wheel opening for tire clearance. Non metallic inner fender liners may be removed.
- b. Body repair shall be performed using every reasonable effort to maintain stock body contours, lips, etc. Any body repair modification having as its purpose increased clearance is prohibited.
- c. The "R" package Miata chin spoiler is allowed on 1990-1997 cars provided it is mounted in the OEM location. 1999-up cars may use the OEM chin spoiler for these cars (99-00 p/n: NC10-V4-900F or 01-05 p/n: NO67-V4-900G). Aftermarket chin spoilers may be used but must use the same mounting holes, must have the same dimensions and must perform only the same functions as the OEM chin spoiler. Any material may be used.

Rear spoilers and rocker panel moldings including OEM design are prohibited.

- d. Windshield Clips/Rear Window Straps per GCR Section 9.3 Windshield Clips/Rear Window Straps, are permitted and recommended.
- e. Convertible tops and attaching hardware shall be completely removed. Cars may compete with the Mazda factory detachable hard top in place (latches shall be replaced with positive fasteners and rear pin attachment mechanisms must be used or replaced with positive fasteners), but it is not mandatory. When no top is used, driver shall wear arm restraints, and the cage will meet the helmet clearance rule. It is allowed to attach the hard top to the upper windshield bar of the roll cage.
- f. Body side moldings and wheel opening trim pieces may be removed.
- g. The plastic trim on the hood may be removed.
- h. Hood and trunk clips are permitted. Stock hood and trunk latches may be disabled or removed.
- i. Ducting may be added to provide fresh air to the driver compartment. This ducting shall be located in the driver and/or passenger vent window area by means of a transparent/alternate vent window material and duct with no modifications to the bodywork.
To improve driver exit through the window area, the driver vent window and vent window supporting frame may be removed as an assembly. If removed, ducting may be in the passenger side vent window only.
- j. Radio antennas may be removed. Antennas for two-way radios may be added.
- k. Fog lamps may be removed. If fog lamps are removed, lamp openings in the front fascia must be blocked to not allow air flow through the opening. Any means of blocking air flow shall not serve any other purpose.

8. Driver/Passenger Compartment - Trunk

- a. The driver's seat shall be replaced with a one-piece bucket-type race seat. All seat mountings shall be reinforced. Factory seat tracks/brackets may be modified, reinforced, and/or removed to facilitate replacement mountings provided they perform no other function. The passenger seat must be removed. The transmission tunnel may be modified for the purpose of installing a competition driver seat. The driver's side floor pan may be modified to accommodate larger/taller drivers. All modifications shall be contained between the transmission tunnel, driver's side rocker, rear bulkhead and no more than 29" forward of the rear bulkhead. The modification shall not extend below the factory floor stiffener/frame rail. The steel used in the modification shall be no thinner than .058". All modifications shall be welded in place. This modification shall serve no other purpose other than seating position.
- b. Any steering wheel, except wood rimmed types, and its required mounting modifications may be used. Any shift knob may be used.
- c. Gauges and instruments may be added, replaced, or removed. They may be installed in the original instrument(s) location using a mounting plate(s), or any other location using a secure method of attachment. Other than modifications made to mount instruments and provide for roll cage installation, the remainder of the dash "board" or panel shall remain intact.
- d. OEM exterior mirrors shall be retained. Mirror mounting position may be changed, but must remain within 10" of the original location on the exterior of the door. The OEM interior mirrors may be removed, relocated or replaced by a mirror of any design. Additional mirrors may be added, both interior and exterior.

9.1.7. Spec Miata (SM) Specifications

- e. Carpets, center consoles, cargo bins, seat belts, floor mat, firewall insulation/blanket, sound deadener patches, undercoating, radio system, headliners, dome lights, grab handles, sun visors and their insulating and attaching materials may be removed. Other than to provide for the installation of required safety equipment or other authorized modifications, no other driver/passenger compartment alterations or gutting are permitted.
- f. Two way radios may be used.
- g. Spare wheels and tires, jacks and tools shall be removed from the cargo/trunk area. Spare tire covers and trunk mats and/or trunk carpeting shall be removed. The trunk trim plate that is used to mount the factory jack handle may be removed.
- h. Modifications may be made to the foot pedals to improve the comfort and accessibility to the driver. Dead pedal/foot rest and heel stop may be added.
- i. If ballast is required to meet the required weight it shall be added as follows:
 - 1. All ballast shall be securely mounted on the passenger floor.
 - 2. Each segment of ballast shall be fastened with a minimum of two (2) one-half (1/2) inch bolts and positive lock nuts of SAE Grade 5/Metric 8.8 or better and shall utilize large diameter, load distributing washers. Alternatively, ballast may be secured using all 4 Mazda factory passenger seat mounting bolt holes.
 - 3. Holes may be drilled in the passenger floorpan for the purposes of mounting the ballast and the floorpan may be reinforced for that purpose only.
- j. All cars shall run with both front door windows fully open (down).
- k. Removal of speedometer cable is permitted.

9. Safety

- a. An electrical master ("kill") switch is required. See GCR Section 9.3 Master Switch.
- b. Installation of a fire extinguisher or fire system is required. See GCR 9.3 Fire System.
- c. Air bag systems shall be disarmed and may be removed.
- d. In any automobile where allowed removal of upholstery, seat belts, etc., creates an opening between the driver/passenger compartment and an exposed gas tank, or part thereof, including the filler tube, a metal bulkhead which completely fills such opening shall be installed. See GCR 9.3. Fuel Cell Specifications.

10. Updates

a. Obsolete Parts

When part updates are needed, because of reliability, supply or obsolescence, testing of parts from alternative, updated sources with direction and approval from the CRB may be used in sanctioned events. Such updates would only be effective when or if finalized by the CRB, and published in Fastrack. Any testing done during sanctioned events will require the driver/car to forfeit any points, finishing position, and/or contingency.

b. BOP Testing

For purposes of maintaining a healthy future for Spec Miata specific to balance of power (BOP) and overall parity, parts or software identified with direction and approval from the CRB may be used in sanctioned events. Such updates will only be effective when or if finalized by the CRB, and published in Fastrack. Any testing done during sanctioned events will require the driver/car to forfeit any points, finishing position, and/or contingency.

NOTES:

SM	Bore x Stroke (mm) Displ. (cc)	Valves IN & EX (mm)	Restrictor Size (mm)	Comp. Ratio (without carbon)	Wheelbase (mm)	Gear Ratios	Final Drive	Brakes (mm)	Weight (lbs)	Notes
Mazda MX-5 / Miata (90-93)	78.13 (3.076") x 83.7 alternate 78.38 (3.086") x 83.7 1597	31.1 (I) 26.3 (E)	N/A	9.4	2266	3.14, 1.89, 1.33, 1.00, 0.81	4.3	(F) 235 Vented Disc (R) 232 Solid Disc	2275 or 2290 with alternate bore	
Mazda MX-5 / Miata (94-97)	83.13 (3.273") x 85.1 alternate 83.39 (3.283") x 85.1 1839	33.1 (I) 28.2 (E)	N/A	9.0	2266	3.14, 1.89, 1.33, 1.00, 0.81	4.3 See Notes	(F) 255 Vented Disc (R) 252 Solid Disc	2400 or 2415 with alternate bore	Must update to the 4.30:1 rear axle ratio as found in the 99+ cars.
Mazda MX-5 / Miata (99-00)	83.13 (3.273") x 85.1 alternate 83.39 (3.283") x 85.1 1839	33.1 (I) 28.2 (E)	38mm	9.5	2266	3.14, 1.89, 1.33, 1.00, 0.81	4.3	(F) 255 Vented Disc (R) 252 Solid Disc	2400 or 2415 with alternate bore	Maximum L dimension of 1.815" is permitted.
Mazda MX-5 / Miata (01-05)	83.13 (3.273") x 85.1 alternate 83.39 (3.283") x 85.1 1839	33.1 (I) 28.2 (E)	40mm	10.0	2266	3.14, 1.89, 1.33, 1.00, 0.81	4.3	(F) 255 Vented Disc (R) 252 Solid Disc	2450 or 2465 with alternate bore	

GCR - 578

SCCA Restrictor Table Sizes/Colors (Current and Past)	
Purple	38mm
Silver/Multicolor	40mm
Blue	41mm
Green	43mm
Red	45mm

These specifications are part of the SCCA GCR and all automobiles shall conform with GCR Section 9.

1. SCCA SPORTS RACING CATEGORY PREPARATION RULES

The SCCA Sports Racing Category shall be for automobiles which are designed and constructed for road racing competition, offering provisions for a driver and passenger, or a driver alone (single-seater). They shall conform to the following requirements. Sports Racers Cars except SRF & SRF3 homologated prior to 1-1-2014 are eligible to compete as P1 or P2 as long as they meet applicable class rules, no re-homologation is required. During competition, cars are subject to the minimum speed/lap time required for that competition event. Cars built after 1-1-2014 must conform to Homologation requirements as specified in 9.2.2.

Effective 1/1/97, those cars formerly known as Sports Renault and/or Spec Racers or any variants of this chassis/*drivetrain*/bodywork combination will not be allowed to compete in ASR in any SCCA sanctioned event.

Single seat Formula car chassis (Ex.: FA, FC, FF, FV) fitted with enclosed bodies (as specified in these rules) may run in a Sports Racing/Prototype Class (ASR, P1, P2) provided they comply with the requirements of the Classification Specification and GCR Section 9. This means that all Formula Atlantic, Formula Continental, Formula F, and Formula Vees running in Sports Racing categories shall have bodywork which complies with the appropriate category Classification Specifications. The ex Formula car chassis need not have any former engine(s) fitted. Converted cars will maintain their former SCCA registration vehicle numbers. Each converted car shall meet the homologation requirements of section 9.2.2 and have a new Vehicle Logbook (with new pictures); however, the former Logbook will be securely attached to the new Logbook. This procedure will enable Race Officials and Scrutineers to identify a single seat Sports Racer as formerly having been a bona fide Formula car. New Single seat Sports Racers may be of new construction and must meet the homologation requirements of section 9.2.2.

Where Weber or other approved carburetors are specified and used, they shall retain their standard configurations of fuel distribution. This is to prohibit annular discharge carburetors.

It is the intention of the Club Racing Board to never classify a replica or derivative of a mass produced road car body in the sports racing classes. These classes are intended for open and/or closed sports racer/sports prototype bodywork

Sports racing cars shall be classified into classes as follows:

- A Sports Racing (ASR) - Regional Status Only (Former Can-Am and F-5000 allowed if registered prior to 01/01/2003)
- Prototype 1 (P1)
- Prototype 2 (P2)
- Spec Racer Ford (SRF) Regional Status Only
- Spec Racer Ford 3 (SRF3)

2. Shock/Dampers

In an effort to control shock/damper technology and cost to a level reasonable for Road Racing, in ASR, P1, P2 any fluid dampers are allowed with the following restrictions:

- a. Dampers must be manually adjustable only.
- b. Mechatronic valves, G valves, hybrid inerters, inerters and mass dampers are prohibited.
- c. Electro/Magnetic shock fluid is prohibited
- d. Shocks may not be electronically interconnected, however data acquisition is permissible as long as it serves no other purpose.

A. ASR CLASSIFICATION - (REGIONAL ONLY CLASS)

1. Definition

A class for purpose built (i.e., road racing prototype, Can-Am, SR2, etc.), highly modified single or two-seat, closed-wheel, open or closed cockpit racing cars which meet the general regulations of Section 9 of the GCR for Sports Racing Category cars, yet are unique in concept and liberal in specifications so as to provide innovative design latitude. Homologation may be required. Refer to section 9.2.2. for details.

Homologation is not required on the following cars running ASR:

- a. Former Formula A (F-5000) cars registered as ASR cars before January 1, 2003.
- b. Cars conforming to the 1978-1984 Can-Am specifications, with aerodynamic skirts removed, registered as ASR cars before January 1, 2003.
- c. ASR cars registered prior to January 1, 2003 which meet the provisions of 9.1.8.B.14. These cars may be updated to sections B.2 - B.13 specifications but they then shall meet all requirements of Section B.2 without exception, including homologation.

Exceptions:

Exceptions to the ASR specifications must be requested with the homologation application and will be listed on the homologation certificate.

2. Chassis/Frame

Chassis/frame construction is unrestricted within the following limitations:

- a. Chassis of non-metallic composite construction shall be proven to meet FIA specifications for non-metallic composite chassis prior to being submitted to the SCCA for homologation. Single seat sports racers, up to 1300 lbs., shall meet the requirements listed in FIA article 258A or 275. All sports racers over 1300 lbs. shall meet the requirements of FIA article 258A only. There are no exceptions. Contact SCCA National Office for a list of the relevant FIA specifications/SCCA requirements.
- b. Chassis of metallic tube and/or metallic monocoque construction shall be manufactured to be consistent with the safety requirements outlined within these rules and the GCR.

3. Engines

Any engine(s) may be used within the following limitations:

- a. Piston or rotary internal combustion, gasoline-fueled engines only. No turbines. Turbo and/or supercharging is permitted.

4. Fuel System

Fuel system is unrestricted within the following limitations:

- a. Fuel per GCR Section 9.3 Fuel.
- b. Fuel Cell Vents: Fuel tank air vents shall be located at least 25cm (9.843 inches) to the rear of the cockpit.

5. Electrical System

Electrical system is unrestricted within the following limitations:

- a. Self Starter: Cars shall be equipped with on-board self-starter and on-board power supply controlled by the driver while in a normal driving position.
- b. Lights – Brake and Tail per GCR Section 9.3 Lights.

6. Transmission / Final Drive

Transmission / final drive system is unrestricted within the following limitations:

- a. Power shall not be applied to more than two (2) wheels.

7. Bodywork and Airfoils

Bodywork and airfoils are unrestricted within the following limitations:

- a. Firewall and floor per GCR Section 9.3 Firewall and Floor.
- b. Bodywork shall provide comfort and safety for a driver and passenger or for a driver only. All elements of the bodywork shall be completely and neatly designed and finished, with no temporary or makeshift elements.
 1. The bodywork as viewed from the side and above shall cover all mechanical components except that the intake, exhaust, and radiators may be exposed. The bodywork shall extend over the full width of the tires for at least one third (1/3) of their circumference as viewed from the side. Ventilation slots are permitted. The tires shall not be seen as viewed from above, although the rear tires may be exposed as viewed from the rear. Cycle-type fenders (which only cover the tire and are not continuous with the rest of the body) are prohibited.

Fenders shall be firmly attached to the bodywork with no gap between body and fender.

2. Width – The maximum width shall not exceed 221cm (87 inches) including all aerodynamic devices. However, no portion shall extend more than 10cm (3.9 inches) beyond a plane tangent to the outer face of the front and rear wheels with tires. The minimum body width between the front and rear wheels shall not extend inwards beyond a vertical plane connecting the centerlines of the front and rear tires.
 3. Visibility – Bodywork shall provide visibility for the driver forward and to both sides adequate for racing conditions.
 4. Windscreens are optional.
- c. Cockpit Opening
1. Closed-cockpit cars – Two functional doors, one on each side, are required and shall be capable of being opened from inside and outside of the car. Doors shall be hinged on the leading or top edges only. The driver's seat shall be capable of being entered from either side without the removal or manipulation of any part or panel (except for doors, removable steering wheel and removable cockpit padding).
 2. Open-cockpit cars – The driver's seat shall be capable of being entered without the removal or manipulation of any part or panel (except for a removable steering wheel and removable cockpit padding).

The cockpit opening of metallic chassis shall have the following minimal dimensions:

Length: 60cm (23.622 inches)

Width: 45cm (17.717 inches)

This width extends over a length of 30cm (11.811 inches) minimum. This minimal rectangular opening may exist anywhere forward of the bracing, and required padding will not be considered in these dimensions.

The cockpit opening of non-metallic chassis shall be designed to meet the FIA homologation requirements (article 258A or 275 for cars up to 1300 lbs; Article 258A, only, for cars above 1300 lbs.).

- d. Aerodynamic Devices
1. The mounting apparatus of any part having an aerodynamic influence (i.e. bodywork, floor, sidepods, wings, spoilers, etc.), shall be rigidly secured to the entirely sprung part of the car (chassis/monocoque), shall have no degree of freedom in relation to the entirely sprung part of the car (chassis/monocoque), and shall remain immobile in relation to the chassis/monocoque at all times. This allows for actively adjusted aerodynamic elements (e.g., wings, diffusers, etc.).
 2. No Aerodynamic skirts per GCR Section 9.3 Aerodynamic Skirts. Within the preceding restrictions, only wearable material (fiberglass, Kevlar, carbon fiber, high density polyethylene, polypropylene, Teflon, Lexan, or wood) may be attached to the side panels as a rubbing strip. Ceramics, brittle plastics (e.g., Plexiglas), and other materials which shatter or break-up causing hazardous track conditions are prohibited.
 3. Ground effects are permitted, but may not be attained by "sealing" or bridging the gap between the bodywork and the road surface. Any means adopted to circumvent this intention shall automatically be regarded as a breach of these regulations.
 4. Leading Edges of Airfoils: The leading edge of any airfoil fixed to the front of the car shall not be sharp. Minimum radius: 0.5cm (0.2 inches).
- e. Exposed glass headlight lenses and bulbs on the front of the car are prohibited.

8. Suspension

Suspension is unrestricted within the following limitations:

- a. All cars shall be equipped with a full suspension system (e.g., springs, torsion bars, etc.) front and rear. Rigid mounted suspensions are prohibited. Monoshock/monospring systems are permitted.

9. Steering

Unrestricted provided that it is of a safe/secure design and acts upon at least two wheels at one end of the vehicle.

10. Wheels and Tires

Wheels and tires are unrestricted within the following limitations:

- a. Tires shall have a minimum speed rating of 120 mph or better. Tires shall be the same size and design (e.g., radial, bias-ply, etc.) for the right and left sides of the front axle(s), and same size and design (e.g., radial, bias-ply, etc.) for the right and left sides of the rear axle(s).

9.1.8. A Sports Racer (ASR) Specifications

- b. Wheels – Minimum diameter 10", minimum width 6". Wheels shall be identical for the right and left sides of the front axle(s), and identical for the right and left sides of the rear axle(s). Wheel material shall be metal. Cars shall be equipped with a minimum of four (4) wheels. Wire wheels are prohibited.

11. Brakes

Brakes are unrestricted within the following limitations:

- a. Cars shall have a braking system that acts upon all wheels of the vehicle. Chain/belt driven cars may have a single brake caliper that acts upon the differential, thereby applying braking force to the two (2) drive wheels.
- b. Cars shall be equipped with a dual braking system operated by a single control. In case of failure or leak at any point in the system, effective braking power shall be maintained on at least two wheels.

12. Weight (without driver)

- a. The minimum weight of the vehicle as raced, without driver, shall be 750 lbs.

13. Safety Equipment

Note: All ASR cars shall meet all applicable portions of GCR Section 9.

- a. Mirrors per GCR Section 9.3 Mirrors. Additionally, there shall be at least two (2) mirrors, each with a minimum 55cm² (8.53 in²) of reflective surface.
- b. Towing Eyes per GCR Section 9.3 Towing Eyes. Additionally, if the rollbar is faired-in, the fairing shall have rollbar access hole(s) to allow for quick retrieval.
- c. Side Intrusion Protection
For metallic chassis, the area between the upper and lower main frame tubes from the front roll hoop bulkhead to the rear roll hoop bulkhead shall be protected by one of the following methods to prevent the intrusion of objects into the cockpit.
 1. Panel(s), minimum of either .060" heat-treated aluminum (6061-T6 or equivalent) or eighteen (18) gauge steel, attached outside of the main frame tubes.
 2. Reinforced body – at minimum, consisting of a double layer, five (5) oz., bi-directional, laminated Kevlar material incorporated into the body which shall be securely fastened to the frame.
 3. For either method, the material used for the chassis braces in this area shall be at least equivalent to the roll hoop brace material.

Non-metallic chassis are covered under the FIA chassis homologation.

4. Crushable Structure

For metallic chassis, there shall be a crushable structure, securely attached to the front bulkhead, with a minimum cross section of 200 cm² (31 in²), 40cm (15.75") forward of the clutch and brake pedals (not depressed) constructed of a minimum of eighteen (18) gauge 6061-T4 or equivalent aluminum.

- a. Radiators may be incorporated in this structure.

Non-metallic chassis are covered under the FIA chassis homologation.

5. Driver's Feet Position

For metallic chassis, the frame shall incorporate forward-facing braces to protect the driver's legs and feet. The braces shall extend from the front roll hoop to the front bulkhead. (The front bulkhead is defined as the furthest forward transverse section of the main frame.) The soles of the driver's feet shall not extend beyond the front edge of the wheel rims (in normal position; i.e., pedals not depressed) and shall remain behind the front bulkhead. The lower main frame rails shall be a minimum of twenty-five (25) centimeters (9.84") apart (inside dimension) from the front bulkhead to the rear roll hoop.

Non-metallic chassis are covered under the FIA chassis homologation.

14. ASR Cars Registered Prior to January 1, 2003

Turbocharging/supercharging is prohibited. Cars shall be classified according to engine displacement as follows:

Engine Type	Displ. (cc)	Induction	Weight (lbs)
Rotary Piston	2292 max.	Unrestricted	1326
Racing	1300-2000	Unrestricted	1200
Racing	2001-3000	Unrestricted	1250
Stock block & cyl. head	3001-4000	Fuel injection or one Holley 4150 1-11/16	1602

Stock block & cyl. head	4001-5000	Fuel injection or one Holley 4150 1-11/16	1811
-------------------------	-----------	---	------

a. Engine, Rotary Piston

1. Changing the capacity of the working chamber(s) is prohibited.
2. The eccentric shaft may be replaced with another of the same basic material, but no changes in eccentricity of journal dimensions are permitted.
3. The rotor is unrestricted providing the number of lobes remains unchanged.
4. Alternate rotor housing is allowed only when submitted by the manufacturer and recognized by the Club Racing Board. No changes are allowed in the epitrochoidal curve in alternate housing.
5. Rotary engine cars shall be equipped with a suitable muffler.

B. PROTOTYPE 1 (P1) CLASSIFICATION

P1 is a sports racing class that will be inclusive of existing race cars and new purpose designed cars that fit within these rules. Homologation may be required. Refer to section 9.2.2. for details. Cars homologated prior to 1/1/14 are required to be fully compliant with all P1 rules. The class is intended to be the premier sports racing class promoting advanced technology in car design and innovation while utilizing established cost-effective engine technology.

It is not the intent of these rules to freeze the class in time but rather to encourage orderly and progressive change to keep the class current.

A. SAFETY EQUIPMENT:

Shall comply with GCR Section 9, Cars and Equipment, in addition:

1. Exposed glass headlight lenses and bulbs on the front of the car are prohibited.
2. Brake lights are not required

B. CHASSIS

1. Any form of chassis construction is permitted subject to the requirements of GCR section 9, Cars and Equipment.
2. Anti-intrusion panels are allowed anywhere on the sides of the chassis. Materials and attachment are unrestricted.
3. Cars may be either single seat or two seat cars subject to restrictions in the P1 rules.
4. Closed cockpit single seat cars are prohibited.

C. BODYWORK

1. Bodywork shall provide comfort and safety for a driver and passenger or for a driver only. All elements of the bodywork shall be completely and neatly designed and finished, with no temporary or makeshift elements.
2. The bodywork as viewed from the side and above shall cover all mechanical components including suspension except that the intake, exhaust, tow hooks, jack points, and radiators may be exposed. As viewed from the side, the bodywork shall extend over the full width of the tires for at least one-third (1/3) of their circumference. Louvers for the extraction of air from the tops of the fenders are permitted. The tires shall not be seen as viewed from above except through louvers, provided that the fore/aft opening through which the tire may be seen does not exceed 3/16 inches when viewed from above; rear tires may be exposed as viewed from the rear. Cycle-type fenders that cover only the tire and are not continuous with the rest of the body and may thereby permit a view of the ground from above are prohibited. Fenders shall be firmly attached to the bodywork.
3. Height: No part of the vehicle having special or significant aerodynamic function shall exceed a height of 115cm (45.275 inches) above the ground with car in normal racing trim, driver aboard. As viewed from the side, the outermost surface of body between the front and rear wheel openings and above the floor must have a minimum height equal to the height of the front axle centerline.
4. Width: The maximum width shall not exceed 221cm (87 inches) including all aerodynamic devices. However, no portion shall extend more than 10cm (3.937 inches) beyond a plane tangent to the outer face of the front and rear wheels with tires. The minimum body width between the front and rear wheels as viewed from above may extend inwards beyond a vertical plane connecting the centerlines of the front and rear tires for a distance of up to 20% of the length of the wheelbase.
5. Length: The maximum overall length shall be 485.3cm (191 inches).
6. Cockpit:
 - a. The driver's seat shall be capable of being entered without the removal or manipulation of any part or panel except for a removable steering wheel and/or cockpit padding (except for those closed cockpit cars which are specifically allowed by the SCCA).
 - b. The cockpit opening shall comply with the following minimum dimensions for both single and two seater sports racers: Cockpit length: 60cm (23.622 inches) Cockpit width for each seat: 45cm (17.717 inches) maintained over 30cm (11.811 inches). The minimum rectangular opening may be measured anywhere forward of the main roll hoop. Forward-facing roll bar and roll cage bracing and required padding are not considered part of the dimensions above.
 - c. For two seat cars there shall be room for seats of equal dimension and comfort for the driver and a passenger equally disposed on each side of the longitudinal axis of the car. Seats shall be firmly attached in the car, but may provide adjustment for the size of the occupant. The body surrounding the driver and passenger compartment shall be symmetrical about the longitudinal axis of the car. The passenger's space and seat shall remain usable throughout the competition and shall not be encroached upon by an element of the car or equipment except as provided in these Rules. Allowed equipment would include batteries, ballast, fire bottles, data recording devices, and cool suit equipment, provided such equipment is securely attached to the car.
7. Visibility: Bodywork shall provide visibility for the driver forward and to both sides adequate for racing

conditions. Rear view mirror(s) shall provide the driver with visibility to the rear of both sides of the car.

8. Windscreens are optional.
9. Brake ducts and ducts allowing air into the engine compartment are permitted.
10. Engine air intake ducts, scoops and/or cold air boxes are allowed.

D. AERODYNAMICS

It is the intent of these rules to control the use of “ground effects” to achieve aerodynamic downforce on the vehicle.

1. No aerodynamic devices (e.g. “skirts,” body sides) may extend more than 1cm (0.394 inches) below a lower surface anywhere on the car to the rear of the front axle. Seat bucket or other protrusions shall not circumvent this rule. Aerodynamic devices shall be securely mounted on the entirely sprung part of the car and not be movable when the car is in motion. It is not permitted to duct air through any part of the bodywork for the purpose of providing aerodynamic downforce on the car. This prohibition includes openings above the front spoiler or splitter that allow air to pass through the front bodywork for the purpose of providing aerodynamic downforce. Body panels intended to cover suspension components as viewed from the side and above must not be shaped as an airfoil cross-section. *Upper and lower panel surfaces must be symmetrical (mirror images) across a straight line connecting the center of the leading edge with the center of the trailing edge. Leading and trailing edges may be rounded. Panel angle front to rear and side to side is unrestricted, but it is not permitted to angle the body panels for the purpose of providing aerodynamic downforce on the car.*
2. All ducted air that exits through the top of the bodywork behind the rear of the front tires, excluding the cockpit opening, fender louvers, or slots, louvers, grills and similar devices for allowing heat to escape the engine bay, shall pass through a heat exchanger.

E. WHEELS AND TIRES

There shall be no restriction on the size of wheels except for a minimum diameter of ten (10) inches, provided they are identical for the right and left front axles, and identical for the right and left rear axles. Left and right front tires will be the same size; left and right rear tires will be the same size.

F. BRAKES

Cars shall be equipped with a dual braking system operated by a single control. In case of leak or failure at any point in the system, effective braking power shall be maintained on at least two (2) wheels.

G. BULKHEADS AND TANKS

Fuel tanks shall be isolated by means of bulkheads and vented so that in case of spillage, leakage, or failure of a tank, fuel and fumes will not pass into the driver or engine compartment or around any part of the exhaust system. No part of any oil or water tanks shall be exposed to any part of the driver or passenger compartment. Safety fuel cells (per GCR Section 9.3 Fuel Cell Specifications) are required for all cars.

H. TRANSMISSIONS

All gear changes shall be initiated by the driver. Mechanical gear shifters, direct-acting electric solenoid shifters, air-shifters and similar devices are permitted. Electronically controlled differentials and devices that allow pre-selected gear changes are prohibited. Power shall not be applied to more than two (2) wheels. Traction control is not allowed.

I. DATA COLLECTION

All P1 Sports Racing Cars competing in Majors Races and the Runoffs must have the AIM part #X47KPF-SOLO2RO data box mount installed on their vehicle to provide the necessary mounting of the AIM Solo 2 data box. The mounting surface is to be approximately oriented either horizontally or vertically either parallel or perpendicular to the longitudinal axis of the car and must be accessible from the exterior of the car with the driver on board -- it should have a view of the sky, and not be located under carbon fiber or metallic bodywork. Sufficient space should be left between the mounting plate and the surface to which it is attached to permit the use of zip ties/tie straps to restrain the data box to the mounting plate. The purpose of this requirement is to allow the random placement of data boxes on cars on pre-grid by SCCA assigned personal and the collection of the box when the car exits the race track. Contact AIM and their distributors for direct purchase.

J. ENGINE AND WEIGHT RESTRICTIONS

Generally applicable information for P1 engines is given in the following paragraphs. The P1 Engine Table that follows provides general specification of engine types, displacement limits, intake restrictions, and automobile weights allowed. Specific engines approved for use (along with any applicable restrictions) are also given in the table. All specified minimum weights are with driver (GCR section 9.3 Weight).

1. Turbocharging and supercharging are not allowed.
2. Where a carburetor or fuel injection restriction is specified, a flat plate restrictor, venturi, or SIR is required through which all intake air for each cylinder or the entire fuel-air mixture, if prepared before this point, shall pass.

SIR installations are per the Technical Glossary requirements. Where intake restrictors (excluding SIR)

9.1.8. Prototype 1 (P1) Specifications

are specified, the restrictors shall be round orifices (unless otherwise specified) and located within four (4) inches of the throttle butterfly.

3. Intake manifolds are unrestricted on engines that do not require a flat plate intake restrictor unless otherwise noted in an engine spec line. Plenums and/or balance pipes are not permitted on engines that use an individual runner-type manifold and require a flat plate intake restrictor.
4. 4 cycle engine max 4 cylinders, 2 cycle engine max 6 cylinders.
5. Other Engine Designs:
Engines not specified in the table below are not permitted in P1. SCCA does encourage members wishing to race engines or propulsion systems not listed above, including Diesel internal combustion engines, hybrid or electric drive solutions, to request consideration on a case by case basis via letter to the Club Racing Board at crbscca.com.
6. Electronic throttle control (ETC, Fly-by-wire, Drive-by-wire) systems are permitted. Any ECU utilizing ETC/FBW/DBW throttles must use dual output pedal position sensors (or other ECU required fail-safes) and be capable of detecting a fault and limiting throttle activation.
7. Starter - Cars shall be equipped with an automatic self starter and on-board power supply operated by the driver.
8. On 4-cycle motorcycle-based engines equipped with individual throttle bodies, individual flat plate intake restrictors must be installed within 4 inches of the primary butterfly throttle shaft or centerline on the intake side of the individual throttle body's primary butterfly. Restrictors may be mounted in any manner that does not reduce the intended effectiveness.
9. Where a flat plate intake restrictor is required, fairings may be used above and below the plate to create an inlet venturi. Compliance with the restrictor size specified will be measured in the round orifice of the flat plate restrictor.
10. All cars shall display their engine size from the applicable Spec Line and the size of their required restrictor, if any, in a manner that is clearly legible to the scrutineers at the scales.

NOTES:

P1 Engine Table						
Spec Line	Engine Series	Max. Displ (cc)	Max. Valves / Cyl.	Req'd Restrictor	Min Weight (lbs)	Notes
A	2 cycle	1725	NA	40mm Restricted Venturi Size	1275	Carburetor induction only. One carburetor per cylinder. Balance tubes not allowed.
B	4 cycle Motorcycle Based	1005	4	None Required	1000	Staudacher cars may run 950 lbs. min. wt. with 38.5mm flat plate intake restrictor.
C	4 cycle Motorcycle Based	1355	4	None Required	1075	
D	4 cycle Motorcycle Based	1455	4	38mm flat plate intake restrictor	1100	No restrictor required at 1150 lbs. min. wt.
E	4 cycle Motorcycle Based	1615	4	33mm flat plate intake restrictor	1125	
F	4 cycle	1615	4	40mm chokes	1400	
G	Group CN-spec Honda K20A-FD2	2000	4	Stock Honda intake manifold with 64mm single throttle body	1400	No engine modifications except dry sump oil system, ECU map, and exhaust. Must use stock Honda OEM parts as listed in CN Honda K20A-FD2 Parts List found here: https://www.scca.com/pages/technical-forms-and-downloads . No machining allowed.
H	4 cycle	2000	4	30mm SIR	1400	
I	4 cycle	2300	4	30mm SIR	1445	
J	4 cycle	2500	4	30mm SIR	1475	
K	Mazda 13B Rotary	NA	NA	40mm SIR	1300	Peripheral port or bridgeport allowed.

NOTES:

C. PROTOTYPE 2 (P2) CLASSIFICATION

P2 is a relatively low cost sports racing class that will be inclusive of existing race cars and new purpose designed cars that fit within these rules. Homologation may be required. Refer to section 9.2.2. for details. Spec line cars homologated prior to 1-1-16 must meet all spec line requirements, all cars homologated after 1-1-16 must meet all P2 requirements or be homologated on a new spec line, except ESR cars which must meet the ESR rules in GCR section 9.1.8. The rules are specifically designed to eliminate expensive solutions and provide equal competition between several different types of race cars. Some technologies are prohibited due to cost, availability, and complexity. As these prohibited technologies individual status changes they may be approved to aid in keeping the class current and attractive.

It is not the intent of these rules to freeze the class in time but rather to encourage orderly and progressive change to keep the class current.

A. P2 RULES RESTRICTIONS

The following technology/materials have been restricted due to the current economic viability, if these technologies should become mainstream and cost effective, then the P2 rules should be updated to remove the restriction.

1. Chassis composed of composite structural materials.
2. Alternate brake rotor materials (i.e. non ferrous).
3. Monoblock brake calipers.
4. Metal matrix calipers.
5. Traction control.
6. Forced induction.
7. Roller barrel throttle bodies.
8. Carbon Fiber Springs.
9. Titanium Springs.

B. SAFETY EQUIPMENT

Shall comply with GCR Section 9 in addition:

1. Exposed glass headlight lenses and bulbs on the front of the car are prohibited.
2. Brake lights are not required.

C. CHASSIS

Must meet all requirements of GCR section 9, Cars and Equipment, except as permitted in the P2 rules.

1. Allow for any form of chassis construction except chassis *incorporating composite structural materials*. Both tube frame and aluminum or steel monocoque chassis construction *are* allowed.
2. Anti-intrusion panels *are* allowed anywhere on the sides of the chassis. Material *is* unrestricted. *Attachment points must be at least 15cm (5.906 inches) apart center to center using fasteners no larger than 6.5mm (0.256 inches) diameter.*
3. Cars may be either single seat or two seat cars.

D. BODYWORK

Bodywork shall provide comfort and safety for a driver and passenger or for a driver only. All elements of the bodywork shall be completely and neatly designed and finished, with no temporary or makeshift elements. It is the intent of these rules to control the use of "ground effects" to achieve aerodynamic downforce on the vehicle.

1. The bodywork as viewed from the front, sides and above shall cover all mechanical components except that the intake, exhaust, tow hooks, jack points, radiators and mechanical components passing through ducts may be exposed. Wheels and tires may be exposed when viewed from the side. As viewed from the side, the bodywork shall extend over the full width of the tires for at least one third (1/3) of tire circumference. Rear tires may be exposed as viewed from the rear. Cycle-type fenders (which only cover the tire and are not continuous with the rest of the body) are prohibited. Fenders shall be firmly attached to the bodywork with no gap between body and fender.
 - a. Ventilation slots, louvers or exit ducts for extraction of the air from the top of the fenders are allowed. The tires shall not be seen as viewed from above, except through ventilation slots, louvers or exit ducts provided that the fore/aft opening through which the tire may be seen does not exceed 3/16 inches when viewed from above.
 - b. All forward facing openings must be connected to duct(s) connected to heat exchangers or brake cooling ducts. All air entering duct must pass through heat exchangers or be used to cool brakes and must not be used to generate aerodynamic downforce or any other purpose.
 - c. Ducts allowing air into the engine compartment are allowed, may be forward facing and must not be used to generate aerodynamic downforce or any other purpose.

- d. Engine air intake ducts, scoops and/or cold air boxes are allowed, may be forward facing and must not be used to generate aerodynamic downforce or any other purpose.
2. Height: No part of the vehicle having special or significant aerodynamic function shall exceed a height of 115cm (45.275 in) above the ground with the car in normal racing trim, driver aboard. Neither the safety roll bar nor the engine induction intake shall provide an aerodynamic downforce. Fairing of the safety roll bar is permitted.
3. Width: The maximum width shall not exceed 200cm (78.74 inches) including all aerodynamic devices. However, no portion shall extend more than 10cm (3.937 inches) beyond a plane tangent to the outer face of the front and rear wheels with tires. The minimum body width between the front and rear wheels as viewed from above shall not extend inwards beyond a vertical plane connecting the centerlines of the front and rear tires. All cars shall be at least 63 inches wide measured between planes parallel to a line tangent to the outer most face of the front and rear wheels or tires whichever is greater, unless otherwise specified. Cars equal to and exceeding 70 inches in width may use a larger restrictor diameter as listed in the P2 Engine table spec line and column for the installed engine.
4. Length: The maximum overall length shall be 485.3 cm (191 inches).
5. Overhangs: Front plus rear overhangs including wings, wing mounts, wing end plates, rear diffusers and splitters (tow hooks and jack plates are excluded provided they serve no other purpose) must not exceed 80% of the wheelbase. The difference between the front and rear overhangs must not exceed 15% of the wheelbase.
6. The outermost surface of side pods between the front and rear wheel openings must have a minimum height equal to the height of front axle centerline.
7. Cockpit:
 - a. The driver's seat shall be capable of being entered without the removal or manipulation of any part or panel except for a removable steering wheel and/or cockpit padding (except for those closed cockpit cars which are specifically allowed by the SCCA).
 - b. The cockpit opening shall comply with the following minimum dimensions for both single and two seat sports racers: Cockpit length: 60cm (23.622 inches). Cockpit width for the driver's seat: 45cm (17.717 inches) maintained over 30cm (11.811 inches). The minimum rectangular opening may be measured anywhere forward of the main roll hoop. Forward-facing roll bar and roll cage bracing and padding, as well as lateral support and/or intrusion bars are not considered part of the dimensions above.
 - c. For two seat cars there shall be room for seats of equal dimension and comfort for the driver and a passenger equally disposed on each side of the longitudinal axis of the car. Seats shall be firmly attached in the car, but may provide adjustment for the size of the occupant. The body surrounding the driver and passenger compartment shall be symmetrical about the longitudinal axis of the car. The passenger's space and seat shall remain usable throughout the competition and shall not be encroached upon by an element of the car or equipment except as provided in these Rules. Allowed equipment would include batteries, ballast, fire bottles, data recording devices, and cool suit equipment, provided such equipment is securely attached to the car.
8. Visibility: Bodywork shall provide visibility for the driver forward and to both sides adequate for racing conditions. Rear view mirror(s) shall provide the driver with visibility to the rear of both sides of the car.
9. Windscreens are optional.

E. AERODYNAMICS:

It is the intent of these rules to minimize the use of "ground effects" to achieve aerodynamic downforce on the vehicle. For this purpose the "Control Area" is defined as the lower surfaces of the body and chassis that are licked by the airstream. This "Control Area" is located within the plan view rectangular area defined by the rear edge of the front tires, the front edge of the rear tires, and the entire width of the car's lower surface facing the ground.

The entrant shall designate a flat rectangular reference area with minimum dimensions of 30cm by 60 cm. This reference area is located on the underside of the car (the surface licked by the air stream) between the rear of the front tire and the front of the rear tire. The center of the reference area must be no more than 75mm from the longitudinal centerline of the vehicle. No point or surface on the "Control Area" (as defined above) shall be more than 25.4mm above or below the plane determined by the above defined reference area designated by the entrant and on a line perpendicular to that reference plane. The total distance between the lowest and the highest point on the defined underside of the car shall also not exceed a maximum of 25.4mm, except as specifically permitted herein. Compliance with these requirements shall be accomplished by placing a straight edge on the reference surface designated by the entrant and verifying that the requirements are met. A maximum of eight (8) rub blocks of maximum dimension 75mm width by 125mm length are allowed anywhere on the lower surface of the chassis, and may extend below the reference plane. Fasteners such as bolt heads and rivets shall not be considered parts of the reference area or the "Control Area". Use of fasteners to circumvent this rule is not allowed. This rule is not to be interpreted as requiring a floor pan

9.1.8. Prototype 2 (P2) Specifications

beneath the motor, transaxle, transmission or final drive housing.

1. A rear diffuser is permitted beginning behind the front edge of the rear tires. The diffuser may be divided internally into multiple sections. The width of the diffuser, as measured inside the diffuser sides, shall not exceed the width between the rear tires in any lateral section of the diffuser. Strakes within the diffuser are allowed.
2. A rear wing of single or dual element of any shape or chord length is permitted. As viewed from the side, the wing and all attached elements (Gurney flaps or any other aerodynamic attachments) must, along its full length and at any individual measurement point, be fully contained by a rectangle measuring 6 inches by 12 inches. This measurement is to be made approximately parallel to the centerline of the chassis; the measurement rectangle is not required to be parallel to the ground. Wing support posts that serve no other purpose shall be exempt from this measurement. As viewed from the side, end plates must be able to pass through a 14-inch square. This measurement is to be made approximately parallel to the centerline of the chassis; the measurement square is not required to be parallel to the ground.

An alternate wing specification is permitted to allow previously legal "1 meter" wings as used on converted formula cars. The alternate wing is limited to 110cm in width and may be single or dual element design of any shape or chord length. As viewed from the side, the wing and all attached elements (Gurney flaps or any other aerodynamic attachments) must, along its full length and at any individual measurement point, be fully contained by a rectangle measuring 9 inches by 18 inches. This measurement is to be made approximately parallel to the centerline of the chassis; the measurement rectangle is not required to be parallel to the ground. As viewed from the side, end plates must be able to pass through a rectangle 14 inches by 18 inches. This measurement is to be made approximately parallel to the centerline of the chassis; the measurement rectangle is not required to be parallel to the ground.

Note: If a square or rectangular measurement fixture is used to determine compliance of wing or end plate size, the fixture must be flat and the material thickness must not exceed 0.060 inches.

The maximum width of a wing shall not be wider than the maximum width specified for the body in D.3 above. A wing may be positioned anywhere behind the main roll hoop. The wing and end plates are to be measured as raced. Wing end plates may not be attached to the bodywork. Anything attached to or through a wing end plate is considered part of the end plate and thus must meet applicable dimensions.

3. Aerodynamic devices shall be securely mounted on the entirely sprung part of the car and not be movable when the car is in motion.

F. WHEELS AND TIRES

Wheels shall have a minimum diameter of 10 inches and cars with wheels exceeding 10.5 inches and up to 11 inches in width shall carry a 25lb penalty, cars with wheels exceeding 11 inches in width shall carry a 50lb penalty, unless otherwise specified and provided they are identical for the right and left front axles and identical for the right and left rear axles. Left and right front tires will be the same size; left and right rear tires will be the same size.

G. BRAKES

1. Cars shall be equipped with a dual braking system operated by a single control. In case of leak or failure at any point in the system, effective braking power shall be maintained on at least two (2) wheels.
2. Brake calipers may be ferrous or aluminum alloy. A maximum of 4 pistons per caliper. Brake rotors must be ferrous materials, no other materials allowed.

H. SUSPENSION

All parts shall be of steel or ferrous material, with the exception of hubs, hub adapters, bell cranks, pivot blocks, and bushes. Front and rear hub carrier and chain carrier material shall be steel, or aluminum alloy or magnesium. Titanium is prohibited.

1. Shock component parts of aluminum are permitted.
2. Springs: Ferrous material only.
3. Steering unrestricted.
4. Anti-roll bar linkages unrestricted.

I. BULKHEADS AND TANKS

Fuel tanks shall be isolated by means of bulkheads and vented so that in case of spillage, leakage, or failure of a tank, fuel and fumes will not pass into the driver or engine compartment or around any part of the exhaust system. No part of any oil or water tanks or line(s) shall be exposed to any part of the driver or passenger compartment; exceptions would include steel-braided line(s). Safety fuel cells (per GCR Section 9.3 Fuel Cell Specifications) are required for all cars.

J. TRANSMISSIONS:

1. Cars using an automotive based engine may use any manual gearbox up to 6 speeds with reverse.
2. Cars using a motorcycle based engine must use the transmission supplied with the engine. CVT transmissions are allowed with 2 stroke engines.
3. A reverse gear is not required for motorcycle engine powered cars. A reverse gear is not required for 2 cycle engine powered cars.
4. Shift operation: all gear changes must be initiated and completed by the driver. Only mechanical gear shifting mechanisms are allowed except as permitted by Table 1 Spec Line Cars. This may include cables, rods, or other mechanical linkage systems. Assisted shifting of any kind is not allowed on any car except as allowed by Table 1 Spec Line Cars. Any other assisted shifting mechanisms are specifically not allowed. This prohibition is intended to eliminate the use of electric solenoid shifters, air-shifters and other devices not mechanically actuated and controlled completely by the driver. Devices that allow pre-selected gear changes and closed-loop systems that use feedback from sensors to vary the timing of the gear selection process are also prohibited.

Devices that interact with the throttle, ignition, or fuel system during a shift operation (for example: ignitions cuts, flat shifters, blippers) are permitted, but no such devices shall remove the driver's control of the gear change initiation, gear selection or completion. The burden of proving that a device is in compliance with this rule shall be upon the participant and/or entrant of the car.

5. The clutch assembly is unrestricted except that the clutch engagement system shall be operated solely by driver input and may be mechanical or hydraulic in nature. The driver's hands or feet must manually operate the clutch and there shall be no operation of the clutch by any assisted method.
6. Differentials are free with the following exceptions: Electronically adjustable differentials are not allowed, and manual adjustments are not allowed while the car is in motion.
7. Power shall not be applied to more than two (2) wheels.

K. DATA COLLECTION

All P2 Sports Racing Cars competing in Majors Races and the Runoffs must have the AIM part #X47KPF-SOLO2R0 data box mount installed on their vehicle to provide the necessary mounting of the AIM Solo 2 data box. The mounting surface is to be approximately oriented either horizontally or vertically either parallel or perpendicular to the longitudinal axis of the car and must be accessible from the exterior of the car with the driver on board -- it should have a view of the sky, and not be located under carbon fiber or metallic bodywork. In addition, the mount must not be on wings, and/or wing end plates and where possible should be in the cockpit. Sufficient space should be left between the mounting plate and the surface to which it is attached to permit the use of zip ties/tie straps to restrain the data box to the mounting plate. The purpose of this requirement is to allow the random placement of data boxes on cars on pre-grid by SCCA assigned personal and the collection of the box when the car exits the race track. Contact AIM and their distributors for direct purchase.

L. ENGINE

All engines will be fitted with a specified type of inlet restrictor as determined by the SCCA. For engines not listed in the P2 Engine Table competitors seeking approval shall be responsible for submitting engine dyno and performance data to the SCCA; the SCCA may at its option gather/request additional data.

- a. Stock Engine Preparation allowances. Any modifications or adjustments not specifically listed are not allowed on stock engines.
 1. Internal dimensions and materials of the engine shall be stock. (Fasteners such as rod bolts are free).
 2. Bolt-on covers and ports external to the engine may be modified or replaced.
 3. Camshaft timing may be adjusted but the camshafts must remain stock. Timing gears and cam drive tensioning mechanisms may be modified or substituted as long as they serve no other purpose.
 4. Oil systems are free.
 5. Cooling systems are free.
 6. Turbocharging and supercharging are prohibited.
 7. Exhaust system is free. EGR and/or air pumps may be removed or disabled.
 8. Inlet System: Any manifold(s) and single or individual throttle body(s) incorporating a butterfly throttle actuation may be used for fuel injected engines. Any manifold may be used with carburetors, which may incorporate any method of throttle actuation.
 9. Internal engine machining of any kind is not allowed, i.e. machining of the cylinder heads, pistons, rods, and other internal components is not allowed.
 10. Exterior machining for mounting of the engine or accessories is permitted, however the intake or exhaust port faces shall not be modified.
 11. Spark plugs, engine sensors and any associated brackets or covers are free.

9.1.8. Prototype 2 (P2) Specifications

12. Crankcase ventilation is free as long as it serves no other purpose.
 13. Engine rebuilds such as regrinding the crankshaft and sleeving the block must meet specifications in the factory service manual; no overbore is permitted.
- b. Automotive based
 1. SCCA approved production based 4 cylinder automotive engines of a maximum displacement of 2000cc are allowed. The approved engines are listed in the engine tables.
 2. Preparation limited to changes listed in the section above (Stock Engine Preparation allowances).
 3. Any one piece flywheel with a minimum weight of 5lbs is permitted.
 - c. Motorcycle (four stroke) based:
 1. SCCA approved production based motorcycle engines with a maximum of 4 cylinders and with a maximum displacement of 1505cc.
 2. Preparation limited to changes listed in the section above (Stock Engine Preparation allowances).
 3. Titanium valves may be substituted with stainless steel of the same diameter.
 - d. Two Stroke Engine: 2 stroke engines with a maximum displacement of 1205cc and a maximum of 4 cylinders. Each intake port for each cylinder must have a venturi type inlet restrictor that is placed such that all air inducted into each cylinder must pass through the defined restrictor. There are NO exceptions. The required inlet restrictor may be placed anywhere in the inlet tract as long as it meets the requirement that all air inducted into each cylinder must pass through the required restrictor, balance tubes are not allowed.
 - e. ECU: Any ECU is allowed
 - f. Traction control is not allowed.
 - g. Electronic throttle control (ETC, Fly-by-wire, Drive-by-wire): Engines using ECUs with Drive-By-Wire systems are permitted as long as the throttle pedal activates the original throttle shaft activation mechanism of the production system. This activation mechanism may consist of the stock pedal assembly, twist-grip throttle or a potentiometer that is located on the engine and activated by cable or other linkage. No modifications are permitted that would disable any safety feature of the stock production system.
 - h. Engine and Weight Table
 1. Automotive engine based cars use a minimum weight of 1305lbs. unless otherwise stated in the tables.
 2. Motorcycle engines based cars use a displacement-based minimum weight.
 3. On 4-cycle engines equipped with individual throttle bodies, individual flat plate intake restrictors must be installed within 4 inches of the primary butterfly throttle shaft or centerline on the intake side of the individual throttle body's primary butterfly. On 4-cycle engines equipped with a single throttle body, a single flat plate intake restrictor must be installed between the single throttle body and the intake manifold. Restrictors may be mounted in any manner that does not reduce the intended effectiveness.
 4. Where a flat plate intake restrictor is required, fairings may be used above and below the plate to create an inlet venturi. Compliance with the restrictor size specified will be measured in the round orifice of the flat plate restrictor.
 5. All cars shall display their engine size from the applicable Spec Line and the size of their required restrictor, if any, in a manner that is clearly legible to the scrutineers at the scales.

M. SPEC LINE CARS

The intent of Table 1 (Spec Line Cars) is to accommodate existing cars previously homologated as DSR or CSR, Radicals and similar series cars, and not require expensive changes to make them compliant with the P2 rules. A car prepared in excess of the P2 allowances, but raced prior to 2014 may continue to use non P2 compliant components listed in the spec lines (e.g. wings listed in the spec line).

For individual cars included in any of the spec lines in Table 1; any deviation from spec line and column requirements, (e.g. wheelbase/track) requires the car to be made compliant to all current P2 requirements with a notation in the front of the logbook noting the requirement for the car to be compliant with all P2 rules. For example, should the spec line allow a different minimum width, and the car were to be changed to meet the P2 minimum width, then the minimum weight would also have to be increased, along with any other non-compliant components to make the car fully P2 compliant.

P2 Engine Table

Spec Line	Engine Series	Max. Displ. (cc)	Max. Valves / Cyl.	Req'd Restrictor flat plate except as noted	up to 70in width	Min. Weight (Lbs)	Notes
					70in-78.74in width		
A.1	2 cycle	905	NA	38mm (see notes)		1000	Maximum 4 cylinders. Restrictor per 9.1.8.D.L.d
A.2	2 cycle	1205	NA	40mm (see notes)		1200	Maximum 4 cylinders. Restrictor per 9.1.8.D.L.d
A.3	2 cycle	905	NA	Not required		1000	Maximum 2 cylinders
A.4	2 cycle	855	NA	Not required		1000	AMW opposed 4 cylinder engine, 68.0mm bore x 58.5mm stroke, Bendix single throttle body fuel injection.
A.5	2 cycle	820	NA	Not required		1100	Maximum 3 cylinders
B.1	4 cycle Motorcycle- based Kawasaki, Suzuki, Yamaha, Honda, BMW	1005	4		34mm		No modifications allowed on engines manufactured after 2008 model year.
					37mm		
					35mm		

GCR - 598

9.1.8. P2 Spec Lines

P2 Engine Table

Spec Line	Engine Series	Max. Displ. (cc)	Max. Valves / Cyl.	Req'd Restrictor flat plate except as noted	up to 70in width	Min. Weight (Lbs)	Notes
					70in-78.74in width		
B.2	4 cycle Motorcycle- based Yamaha 2002 and older	1005	4	Not required		Stock Engine 1000	
	Suzuki GSXR 2004 and older					Modified Engine 1100	
B.3	4 cycle Motorcycle- based Kawasaki 2005 and older	1005	4	39.5mm	Stock Engine: 1000		
				40.5mm	Modified Engine: 1100		
B.4	4 cycle Motorcycle- based Kawasaki, Suzuki, Yamaha	1105	4	37mm	1100	No modifications allowed.	
B.5	4 cycle Motorcycle- based Kawasaki, Suzuki, Yamaha	1345	4	33mm	1185	No modifications allowed.	
B.6	4 cycle Motorcycle- based Kawasaki, Suzuki, Yamaha	1505	4	38.5mm	1300	No modifications allowed.	
C	4 cycle	1835	2	36mm	1200	VW Super V Note 1	
				38mm			
D	4 cycle	1615	4	41.5mm	1400	Toyota WSR Specs only. Competitor must present WSR specifications on demand.	

GCR - 599

9.1.8. P2 Spec Lines

P2 Engine Table

Spec Line	Engine Series	Max. Displ. (cc)	Max. Valves / Cyl.	Req'd Restrictor flat plate except as noted	up to 70in width	Min. Weight (Lbs)	Notes
					70in-78.74in width		
E	4 cycle 4 cyl auto based	2000	4		42mm	1350	Approved engines list: MZR/Duratec, HondaK 20A-FD2, Ford Zetec Pinto. For Pinto see line E, note 2 below. <i>For Sebeco NPO1-EVO and Elan NPO1 Mazda 2.0L MZR, see line E, note 3 below.</i> Group CN non-composite chassis with stock Honda K20A-FD2 must use stock Honda intake manifold with 64mm single throttle body with 50mm flat plate intake restrictor at 1500 lbs. minimum weight. No engine modifications except for dry sump oil system, ECU mapping, and exhaust system. Must use stock Honda OEM parts as listed in CN Honda K20A-FD2 Parts List found here: https://www.scca.com/pages/technical-forms-and-downloads . Balancing, porting, and polishing are prohibited. Engine rebuilds that include valve jobs and/or cylinder honing must strictly adhere to published factory service procedures.
F	Olds Quad 4	2300	4	See Notes		1350	Engine must conform to the specifications in 9.1.8.G
G	YAC	2000	4	See Notes		1300	40mm Chokes on Weber 45DCOE Carbs. Engine specification per the 2009 GCR. Kent Cam# CW14 Lift: .430" duration, 316 degrees with mechanical tappets allowed with a 38mm venturi restrictor. Maximum bore size of 3.620 allowed.
H	Mazda 12A Rotary	NA	NA		40.5mm Venturi	1350	Non-peripheral, non-bridge port engines are allowed only one single 2 barrel Weber IDA or DCOE or equivalent dual throat 48 or 50mm carburetor. No fuel injection is allowed - period.
I	Mazda 12A Rotary	NA	NA		40.5mm Venturi	1350	Bridgeport Engines are allowed only one single 2 barrel Weber IDA or DCOE or equivalent dual throat 48 or 50 mm carburetor. No fuel injection is allowed
					40.5mm Venturi		

GCR - 600

9.1.8. P2 Spec Lines

P2 Engine Table

Spec Line	Engine Series	Max. Displ. (cc)	Max. Valves / Cyl.	Req'd Restrictor flat plate except as noted	up to 70in width	Min. Weight (Lbs)	Notes
					70in-78.74in width		
J	Mazda 13B Rotary	NA	NA	41.5mm Venturi		1350	Non-peripheral, non-bridge port Engines are allowed only one single 2 barrel Weber IDA or DCOE or equivalent dual throat 48 or 50mm carburetor. No fuel injection is allowed.
				41.5mm Venturi			
K	Mazda Renesis	NA	NA	41.5mm Venturi		1350	6 port must block off top 2 ports and run as 4 port. Porting not permitted. Unmodified OEM lower intake manifold required, upper manifold unrestricted. Balance tube not permitted. Apex seals unrestricted. Fuel injection only.

Line C Note 1: 1835 VW – Super Vee engine for P2 specs:

1. Any VW/Audi 1.8L block and 1.8L 8v single cam non-crossflow head permitted. Stock VW/Audi crankshaft and rods required, with normal balancing permitted.
2. Rod bolts allowed to be upgraded as fasteners are free.
3. Forged piston allowed for reliability -- Max Compression Ratio - 11.0:1
4. Spec cam specifications: Max cam lift .475. Max duration 270 degrees @ .050" lift. Restricted to stock VW hydraulic or shim-on-bucket solid followers with max diameter 35mm. Max shim diameter 33mm.
5. Shim-under-bucket followers specifically prohibited.
6. Max Intake valve diameter is the stock VW 40.0 mm.
7. Max Exhaust valve diameter is the stock VW 33.0 mm.
8. Any steel valve springs permitted, but must have same O/D as stock valve spring
9. Hydraulic lifter heads may be converted to solid lifter.
10. Induction limited to dual 2 bbl carburetors with maximum body size 45mm.
11. Fuel injection specifically prohibited.
12. Required SR-2 restrictors will be Maximum 36mm chokes for cars under 70" wide; 38mm for cars at or over 70" width.
13. Dry sump Oiling system is free.
14. Ignition system is free.

Line E Note 2: Pinto engine 2000cc

1. Camshaft and valve train are open.
2. Intake system is free- fuel injection is allowed.
3. Cast iron or Fast Forward cylinder head allowed – porting is allowed and open.
4. Rods and pistons are open.
5. Valves are open.
6. Maximum bore size of 3.620 allowed for Pinto.
7. Restrictor not required

Line E Note 3: Sebeco NP01-EVO and Elan NP01 Mazda 2.0L MZR

1. *Must conform with NASA Prototype Series (NP01-EVO) Official 2022 National Rules, June 7, 2022, Version 1.2, found here: <https://www.scca.com/pages/technical-forms-and-downloads>.*
2. *Intake system: 60 mm Sebeco NP01 or Elan NP01 intake.*
3. *No restrictor.*
4. *1600 lb minimum weight.*
5. *Sebeco NP01-EVO and Elan NP01 may run either set of camshafts below:*
 - a. *Sebeco NP01-EVO: PL 1363 Intake Cam Part Numbered NP01 xxi, PL 1364 Exhaust Cam Part Numbered NP01 xxi, where xxi = two-digit sequential numbers from 01 onwards.*
 - b. *Elan NP01: Stock Mazda Part Nos., intake L3E3-12-420, exhaust L3E3-12-440.*

Table 1 (Spec Line Cars)

Marque	Wheelbase inches max/ Track inches max	Weight/ Displacement	Engine	Restrictor	Notes
AMAC, Asteck, Cheetah, Decker, Fox, LeGrand, Converted F600 cars see notes	94/54	Stock Engine 950 lbs. 1005cc max	P2 Engine Table B.1 2009 and newer Stock Engine	37mm	Minimum width 55 inches. Must meet all P2 requirements except the following: Wings up to 16.5in chord of single or dual element; unrestricted end plate on end mounted wings; <i>attachment of aluminum anti-intrusion panels less than 0.065 inch thickness between front bulkhead and dash roll hoop bulkhead is unrestricted on the AMAC.</i> Converted F600 cars must retain suspension compliant with F600 requirements and meet all P2 non-spec line requirements except minimum width is 55 inches.
			P2 Engine Table B.1 2008 and older Stock Engine	39mm	
			P2 Engine Table B.2	Not required	
			P2 Engine Table B.3	39mm	
		Modified Engine 1025 lbs. 1005cc max	P2 Engine Table B.1	38mm	
			P2 Engine Table B.2	Not required	
			P2 Engine Table B.3	40mm	
		Stock Engine 1050 lbs. 1345cc max	P2 Engine Table B.5	33mm	
		AMAC-AM5, Fox-2-Seater, Zephyrus, Decker 1/2	94/54	Stock Engine 900 lbs. 1005cc max	
P2 Engine Table B.1 2008 and older Stock Engine	38.5mm				
P2 Engine Table B.2	Not required				
P2 Engine Table B.3	38.5mm				
Modified Engine 950 lbs. 1005cc max	P2 Engine Table B.1			37mm	
	P2 Engine Table B.2			Not required	
	P2 Engine Table B.3			39mm	
Stock Engine 1050 lbs. 1345cc max	P2 Engine Table B.5			33mm	
Beasley B2	TBD			1350	P2 Engine Table H Mazda 12A
		P2 Engine Table I Mazda 12A	40.5mm Ven-turi		

GCR - 603

9.1.8. P2 Spec Lines

Table 1 (Spec Line Cars)

Marque	Wheelbase inches max/ Track inches max	Weight/ Displacement	Engine	Restrictor	Notes
<i>Sebeco NP01-EVO</i> , Elan NP01	102/TBD	<i>1600 lb 2000 cc</i>	P2 Engine Table Spec Line E stock Mazda 2.0L MZR	<i>Not required</i>	<i>Car must conform with NASA Prototype Series (NP01-EVO) Official 2022 National Rules June 7, 2022, Version 1.2, found here: https://www.scca.com/pages/technical-forms-and-downloads, except as follows: Hoosier R7 tire.</i>
Enterprise Sports Racer					See ESR rules in GCR section 9.1.8. for complete specifications.
FIA Group CN non-composite chassis		Stock Engine 1500 lbs. 2000cc max.	P2 Engine Table E Stock Honda K20A	Stock 64mm single throttle body with 50mm flat plate restrictor	FIA Group CN homologated chassis, brake calipers and discs, hub carriers, and suspension components required. V de V Endurance Series permitted bodywork, rear diffuser, wing, wheels, and assisted shifting allowed. Must comply with all other P2 requirements. Competitors must have copies of FIA Group CN Technical Regulations and V de V Endurance Series Sporting and Technical Regulations in their possession and present them upon request.
Radical SR3 SR4		Stock Engine 1000 lbs. 1005cc max.		37.5mm	Radical wing or P2 class compliant wing and end plate <i>permitted</i> . Radical rear diffuser permitted. <i>Radical</i> assisted shifting permitted.
		Stock Engine 1300 lbs. 1005 < 1370 cc max.		40.5mm	
<i>Radical Cup series</i> Radical SR3		1500lb	Sealed Radical Cup engine and transmission <i>1340cc or 1500cc</i>	<i>Not required</i>	<i>Car must conform with Radical Cup North America Technical Regulations except as follows: Radical wing or P2 class compliant wing and end plate permitted. Wheels and tires are open. Brakes are open and must be P2 class compliant. Radical rear diffuser permitted. Radical assisted shifting permitted.</i>
Radical Club Sport, Pro Sport, PR6		Stock Engine 1000 lbs. 1005cc <i>max.</i>		37.5mm	Radical wing or P2 class compliant wing and end plate <i>permitted</i> : 61 in width min. Radical rear diffuser permitted. <i>Radical</i> assisted shifting permitted.
		Stock Engine 1160 lbs. 1370 cc max.		40.5mm	

GCR - 604

9.1.8. P2 Spec Lines

Table 1 (Spec Line Cars)

Marque	Wheelbase inches max/ Track inches max	Weight/ Displacement	Engine	Restrictor	Notes
Bobsy	TBD	Stock Engine 950lb 1005cc max	P2 Engine Table B.1	37mm	Minimum width 55 inches. Must meet all P2 requirements except the following: Wings up to 16.5in chord single or dual element; unrestricted end plate on end mounted wings.
			P2 Engine Table B.2	NA	
			P2 Engine Table B.3	39mm	
		Modified Engine 1025lb 1005cc max	P2 Engine Table B.1	38mm	
			P2 Engine Table B.2	NA	
			P2 Engine Table B.3	40mm	
Diaso D962		1005cc max	Motorcycle only		Body, front splitter and wing either original OEM or P2 compliant.
Jondal	94/54	Stock Engine 950lb	2 cycle		Minimum width 55 inches. Must meet engine/weight requirements per the latest 2 stroke engine table. Must meet all P2 requirements except the following: Wings up to 16.5in chord of single or dual element; unrestricted end plate on end mounted wings.
		Modified 1025lb			
<i>Stohr First Gen, Stohr WF1, West WR1000, West WX10</i>	<i>97/56</i>	<i>See P2 Engine Table</i>	<i>See P2 Engine Table</i>	<i>See P2 Engine Table</i>	<i>Fully bonded composite anti-intrusion panels permitted with unrestricted attachment; car must be compliant with all other P2 requirements; no restrictions on car development within the P2 rules.</i>

GCR - 605

D. SPEC RACER FORD (SRF/SRF3)

1. SPEC RACER FORD (SRF) Regional Only Class

A. Definition

One design, fixed specifications, open cockpit, single seat sports racer with SCCA Enterprises Ford 1.9 L engine. Cars are packaged and sold by SCCA Enterprises, Inc. All replacement parts are supplied through SCCA Enterprises, Inc., and shall be official Spec Racer Ford parts except where noted in C.3. Cars must be assembled per SCCA Enterprises' Assembly Manual and Roush Ford Spec Racer Installation Instructions (RFSRII). No modifications may be made to any part or system unless specifically permitted in these rules.

B. Safety Requirements

Car will be delivered from the manufacturer with approved safety equipment. Replaced items shall be supplied through Enterprises, except safety harnesses and on-board fire systems may be replaced by any other that conforms to GCR Section 9.

C. Maintenance and Repairs

It is permitted to perform routine maintenance and repairs as long as existing parts are in no way modified and replacement parts are official Spec Racer Ford parts. If any Enterprises seal is broken by an Enterprises Customer Service Rep. (CSR) emergency field repair, accident, or intent, the procedures outlined under section S shall be followed. Parts with an Enterprises part number having the prefix "10" are considered to be unrestricted, provided their dimensions are comparable. No other parts are to be considered "unrestricted" except where specified.

D. Chassis

NO MODIFICATIONS ALLOWED except as noted in these rules.

- a. Chassis rub block. It is authorized to install up to eight (8) pads of any material to the underside of the frame to eliminate damage due to bottoming out. The pads shall be no larger than 1-1/2" wide x 2" long x 1" thick. If steel plates are used, they can be no larger than 1-1/2" wide x 8" long x 1/8" thick and fastened in at least two (2) places. They shall serve no other purpose. Carriage bolts may be used to fasten rub rails to the chassis.

A steel plate of 1-1/2" wide x 1/8" thick x 14" long may be welded to the bottom of the frame below the rear shock mounting bracket.

- b. Seat Mounts. It is required that a metal strap be installed on the right side of the fiberglass seat between the bolt heads and the fiberglass side panel; this strap shall be 1" wide x 14" long and 1/8" minimum thickness. A flat washer of at least one (1) inch diameter shall be used under any other seat attachment point. The aluminum side bracket, P/N 180927, is required.
- c. Steering Shaft Bracket. It is authorized to cleanly and smoothly cut off the unused portions of the steering shaft bracket and/or pad the remaining portion to prevent injury as long as this serves no other purpose.
- d. Painting/Plating. The chassis may be painted any color(s). Aluminum parts may be polished, anodized, coated or painted.

Surface finishes such as plating or coating may be applied for corrosion protection. Any piece that is a closed assembly (i.e., upper control arm) shall have a 1/8" DIA hole drilled in a noncritical location to allow flushing of any entrapped plating fluids.

Post plating bakeout of four (4) hours at a temperature of 375 degrees F is recommended to prevent hydrogen embrittlement. Any chassis part may be plated except for: Suspension springs, front and rear sway bars.

- e. A 16 gauge steel plate measuring 10" x 28" may be stitch welded under the fuel cell bladder above vehicle floor.

E. Bodywork

NO MODIFICATIONS ALLOWED (except as specified). The SRF multi-piece nose assembly is approved for use.

- a. Bodywork crash-damage may be repaired, but exterior dimensions, shapes, thicknesses, and profiles shall remain unaltered. The addition of material to increase rigidity and/or the weight is prohibited. Use of the nose front center body pin is optional. Sections shall meet the following weight requirements:

	Minimum	Maximum
Front	32 lbs.	65 lbs.
Center	25 lbs.	N/A
Rear	25 lbs.	55 lbs.

- b. At-track repair of crash-damage may be completed, but the minimum and/or maximum weight requirements may not be exceeded.
- c. One spring type fastener per side may be used to replace the 1/4 turn fastener.
- d. The car may be painted any color(s), except primer.
- e. The forward braces shall be padded per GCR Section 9.4., using any padding that conforms to the GCR, or Enterprises P/N 180033.
- f. Ballast plates may be manufactured or purchased providing:
 1. Ballast plates may be no more than 20 inches long, 10 inches wide and ½ inch thick.
 2. Alternate location Ballast plate must be 27.650" +/- .150" total width, including 1.5" tall mounting tabs on each end no less .125" thick, 5" to 7" long and up to ½" thick. Must be bolted to the lower longitudinal chassis tubes. Shift linkage pivot bracket may be bolted on top of the ballast plate. Alternate location is forward or rearward of the "Sub Seat Belt" mount bar, under or in front of the seat.
 3. All ballast must be securely fastened on both ends or sides with nuts and washers or no less than "4" 5/16" bolts, washers and nuts.
 4. They shall be fastened securely with nuts on both ends.
- g. Rub Rails - P/N 180557 LH; P/N 180558 RH, may be fabricated from .060" to .090" thick aluminum. Dimensions shall be 2-1/2" high x 3" wide x 72" long. Additional fasteners may be used.
- h. Nose Pans - P/N 480448 may be fabricated from .040" - .060" thick aluminum. Such nose pans must be dimensionally and functionally the same as to the original nose pan furnished by Enterprises and shall perform no other function. Rolling of lip permitted.
- i. Floor Pans - .060" thick aluminum only. Can be 1, 2 or 3 piece GCR - 812 9.1.8. Spec Racer Ford (SRF) Specifications configuration. Pieces shall be joined on main 1.5" frame tubes. Must be continuously riveted similar to the Enterprises floor pan spacing. Additional Bonding of floor to the chassis is allowed. Drain holes maximum size of .375 are allowed, floor pan shall perform no other function.
- j. Optional Bodywork Modification:

Viewing the tail section of the car from behind, draw a vertical line at the left and right ends of the outer vents from the bottom edge of the bodywork up to a point two (2) inches below the crease at the lower edge of the vented panel. Make a vertical cut at each line. The horizontal cut is to be one (1) inch below the crease at the base of the vented panel. Leave a one (1) inch radius at each corner. Air Scoop (P/N 190000) must be installed in conjunction with rear cutout per Enterprises installation instructions. SRF3 tail sections are allowed on SRFs. *For purposes of tail section to center section fitment with the GEN3 airbox, shimming is allowed at the rear of the center section. Shim material may be up to 19 mm (0.75") thick along the 1" upper square sidepod tube. Mounting location cannot be modified or added. Shim material must be securely attached, but must not be welded.*
- k. Required Bodywork Modification:

A 22.5" diameter wheel arch shall be cut in each side of the tail section. Viewing the tail section from the side, draw a vertical line at the drive axle centerline. Locate the top of the wheel arch at a point measured from the bottom edge of the tail section 9.25" vertically along the centerline. The 22.5" diameter circle intersects the bottom edge of the tail section 11.1" either side of the centerline. The tail section may be reinforced in the forward and aft portions of the wheel arch. Dimension tolerance is +/- 0.75".

1. An alternate dash panel has been approved for use in Spec Racer Fords. The dash will be furnished by Enterprises only. P/N 180100 or 180101.

F. Engine and Drivetrain

- a. Engine

NO MODIFICATIONS ARE ALLOWED EXCEPT WHERE SPECIFICALLY AUTHORIZED WITHIN THESE RULES. This includes all fuel injection and engine management components, including exhaust, cooling, electrical and lubrication systems. All systems are subject to test procedures and must conform to OEM/ RFSRII specifications. All fluids, except fuel, are unrestricted.

Ford recommends SAE 5W-30 or 10W-30 engine oils and Dexron II transmission fluid.

SCCA Enterprises, Inc., seals on the engine, gearbox, and other components shall remain in place at all times.

Engine maintenance which is permitted includes the replacement, but not modification of external engine and engine systems parts.

All hose and harness routing and attachment is per RFSRII.

All rubber oil lines may be replaced with braided metal-covered (Aeroquip type/size eight) lines that

9.1.8. Spec Racer Ford (SRF) Specifications

utilize Aeroquip type/size 8 AN fittings. Hose clamps may be installed on the rubber oil lines.

A one-fourth (1/4) inch pipe thread hole may be placed in the top of the thermostat housing for installation of an air relief valve to facilitate filling of the cooling system.

b. Transmission

THE TRANSMISSION IS A SEALED UNIT. NO MODIFICATIONS ARE ALLOWED.

Transaxle/drivetrain work which is permitted includes replacement, but not modification, of axles, CV joints, clutch disc, pressure plate, flywheel, throw-out or pilot bearing, or transaxle assembly.

Any tampering or counterfeiting of the seals will render the transmission illegal for competition. Neither Enterprises, Inc., nor Roush Industries will be under any obligation to return the transmission to legal condition. No machining allowed.

G. Suspension

NO MODIFICATIONS ALLOWED. Adjustments are permitted within the limits of the suspension components. (See specifications - Section J.) No modification to the components is allowed, with the exception that a Zirk fitting may be installed on the upper rocker arms to lubricate the pivots.

Left rear lower control arm must be P/N 296293B, and may also be used on right side.

H. Brakes

NO MODIFICATIONS ALLOWED. Front brake ducts are required, attached to the openings in the lower radiator baffles, any flexible 4" duct material allowed, installed length minimum 12" maximum 36" in length. Must be securely fastened, Bracket Part # 800368 can be used. Shall serve no other purpose. An extension may be welded to the side of the throttle pedal to improve heel-and-toe braking. Aeroquip style -3 braided stainless flex lines only, must attach to all brake components without modification. Brake pad "anti-rattle" clips must be removed.

I. Shock Absorbers and Springs

NO MODIFICATIONS ALLOWED. Only SCCA Enterprises sealed Penske shocks P/N 280396 shall be used. Only front spring P/N 280387 or P/N RO28037 shall be used. Only rear spring P/N 280390 shall be used. Only the SCCA Bump Stop P/N 280407 may be used, with no modification of any kind. Bump stops are optional. If used, only one bump stop per shock is permitted.

All shock absorbers must be sealed by SCCA Enterprises. Prior to sealing, the shock absorbers shall be rebuilt by SCCA Enterprises or its authorized rebuilders.

J. Steering

NO MODIFICATIONS ALLOWED. The steering rack may be shimmed with any combination of standard shims P/N 280286 .030" or P/N 280287 .060" to eliminate bump steer.

- a. Steering wheel is unrestricted. A removable steering wheel is allowed. The steering wheel center web, flange, and rim shall be of a one piece construction. "Butterfly" steering wheels are not allowed.
- b. Upper steering shaft may be modified to accept an alternate steering wheel and/or hub (if applicable).

K. Wheels (Only wheels supplied by Enterprises)

NO MODIFICATIONS or MACHINING ALLOWED except to mount valve stems. Wheels may be painted any color(s). Plating is allowed. No wheel spacers are allowed.

L. Fuel System

All changes from the Renault SR system are listed in the RFSRII and must be installed as directed therein, with no modifications.

- a. All rubber fuel lines may be replaced with braided metal-covered (Aeroquip type/size six) lines that utilize Aeroquip type/size 6 AN fittings.
- b. The fuel filter located in the fuel cell may be removed and replaced with an in-line filter.
- c. A "tee" fitting may be installed in the Aeroquip line between the fuel cell and the fuel pump to facilitate draining of the fuel cell.
- d. Enterprise P/N 591902 Regulator is permitted.

M. Electrical System

NO MODIFICATIONS ALLOWED.

Wiring harnesses routing and attachments as per RFSRII.

The electrical system and ignition system is subject to testing procedures and must conform to OEM Roush specifications.

The EEC module is a sealed part and any tampering with the part or tampering and/or counterfeiting of the seals will render the part illegal for competition. Tampering and/or counterfeiting will also subject the driver

to penalties under headings C.21.1., C.21.2., C.21.3., and C.21.4..

At any time during an SCCA sanctioned event it is possible that technical or scrutineering personnel will randomly remove and replace EEC modules or other components with other competitor's components or components which the technical or scrutineering personnel will provide.

Jump plugs may be added; connected directly to the battery, master switch or starter. It is strongly recommended that the plug orientation is outboard and rear facing; to prevent dragging of jump battery if vehicle drives off while connected.

N. Weight

The car shall weigh 1670 lbs. minimum, including the driver.

O. Battery

May be replaced with any battery of group No. U1. It shall remain in the same location.

P. Vehicle Configuration

All Spec Racer Ford cars shall comply to GCR Section 9., with the following exceptions: Section 9.3 Accumulators.

Q. Updates

Provisions will be made for updates on all safety and mechanical improvements. When part updates are needed, because of reliability, supply or obsolescence, testing of parts from alternative, updated sources with direction and approval from SCCA Enterprises may be used in sanctioned events. Such updates will be effective when finalized by Enterprises, announced by the National Office, and published in Fastrack.

R. Vehicle Logbook

The Vehicle Logbook for each Spec Racer Ford remains the property of SCCA and will contain not only the record of technical inspections, but also the major maintenance performed and all transfers of ownership. The Vehicle Logbook number will be the same as the factory chassis number that is stamped on the right rear body mount plate. When the vehicle is sold, traded, or scrapped, the logbook shall be sent to SCCA Enterprises, Inc., 14550 E Easter Ave. Suite 400, Centennial, Colorado 80112. The logbook will be reissued to the new owner. When the logbook has been filled, a new one shall be requested from SCCA Enterprises, Inc., in Centennial.

A FEE OF \$100 WILL BE CHARGED FOR LOST LOGBOOKS.

The logbook shall be presented at scrutineering for each event entered. All Spec Racer Fords are subject to normal safety inspection. Additionally, scrutineers may check each official seal. A competitor may not be barred from competing at a specific event if a seal is broken, or damaged, but the part may be considered suspect and will be treated as such and will be noted in the logbook by the Scrutineer. If engine cam cover or oil pan seals are broken, damaged, or missing, the engine shall be removed and sent to Enterprises for testing and resealing at the competitor's cost prior to the next event.

S. Seals

SCCA Enterprises' seals must be present on driveline components in designated locations for all SCCA sanctioned events. Any competitor who participates in an event without seals must remove his unsealed component and it must be inspected by a Customer Service Rep. (CSR) or Enterprises. Notation shall be made in the vehicle logbook and seals checked prior to the next event. The competitor will be responsible for all cost incurred by this procedure. If the component is found to be out of specification, the competitor is subject to penalty by the SOM.

SCCA Enterprises' seals are required on all SPEC RACER FORD engines and transmissions.

Any counterfeit engine seal found by an authorized representative of SCCA, Inc., or SCCA Enterprises, Inc., shall immediately render that engine illegal for further use, without need of dyno testing or inspection. SCCA Enterprises, Inc., will not be under any obligation to bring an illegally sealed engine back to legal condition. Penalties shall include all of the following: T.1., T.2., T.3., and T.4.

T. Penalties (Specific to Spec Racer Fords)

If a competitor refuses to give his components, engine and/or transaxle units for testing per a request of the Chief Steward (GCR 5.12.2.C.), the following penalties will automatically be imposed:

- a. Vehicle logbook will be impounded.
- b. Disqualification from a competition or the event.
- c. Suspension of SCCA competition privileges for thirty (30) days.

9.1.8. Spec Racer Ford (SRF) Specifications

- d. The car and drivetrain are suspended from competition until the unit(s) specified by the Chief Steward are replaced.

In a case where a competitor does comply with the Chief Steward's request to have an engine and/or transaxle tested and the impounded unit(s) are found legal, the SCCA will stand all the costs incurred for the testing, including shipping. Should the impounded unit(s) be found illegal, the following penalties will be imposed:

1. Disqualification from a competition or the event.
2. A fine of \$250.00
3. Competition privileges will be suspended immediately, and the suspension will continue for a minimum of thirty (30) days after the date when all fines and costs are paid in full and the license is received by the Chairman SOM or the SCCA Topeka Office.
4. For a second illegal Drivetrain Violation, the competitor will be permanently disqualified from further Spec Racer Ford competition. Drivetrain Violation components will be identified within the class Specifications. Drivetrain Violations will be permanently tracked.

U. Spec Racer Ford Drivetrain Protest

- a. Protests shall be filed per the GCR.
- b. Protestor will specify the drivetrain item suspected (i.e., transmission or engine). The teardown bond to remove the motor and transmission is in three (3) parts:
 1. Remove and replace motor and transmission - \$600.00
 2. Ship motor to Enterprises and test - \$500.00
 3. Protest Fee: Regional - \$25.00, National - \$50.00 Item 1 will be done by the CSR or other shop that is equipped for this type of work and will be paid directly.
- c. Enterprises will inspect the motor, (item 2), and will notify the Chairman SOM as soon as possible as to the results.
- d. Enterprises shall retain the evidence, and the SCCA shall retain the fee, (item 3), until the period for appeal has passed.
- e. The Chairman SOM is required to inform Enterprises of the protest using the SR/SRF Protest Information Form.

If the protest proves to be valid and any appeal fails, the protest fee, (item 3), will be returned to the protestor. Also, the protestee will be required to reimburse the protestor the remaining fees (\$1100). The protestee will not be allowed to compete again until all costs are paid. If found legal, protestor forfeits fee (items 1 and 2) above.
- f. If found illegal, competition privileges will be suspended immediately, and the suspension will continue for thirty (30) days after all costs are paid in full.
- g. For a second illegal Drivetrain Violation, the competitor will be permanently disqualified from competing in Spec Racer Ford competition. All components included in the sealed engine are automatically possible Drivetrain Violation components.

V. Accessory Items

- a. Mirrors must be as delivered. The cars may be upgraded to the new mirrors, P/N 190003, 190004, and may use mirror extension, P/N 190023 or 190024. The original mirrors furnished with the kits may be used.
- b. Seat modifications, including cutting, re-shaping and padding, are permitted to enhance the comfort and safety of the driver. Moving the location of the seat is not permitted. Foaming of the seat is permitted. Taller drivers are encouraged to use this option to gain greater roll bar clearance. Additionally, the seat may be cut or slit to allow the seat belt to cross the driver's body and remain in proper alignment per the GCR, Section 9. Any cuts in the seat should be reinforced to prevent splintering. The seat may be widened, but installation and location shall remain the same (See j. below).
- c. Use of cool suits by drivers is authorized providing the water tank is securely mounted and approved through Tech. The car shall weigh 1670 lbs., with driver, but without the water tank.
- d. Headrest pad may be reduced in thickness for driver's comfort to a minimum of one (1) inch. If either the Aluminum Racing Products (ARP) or the Butler P/N 180268 or 180268A seat is used, to aid with seat positioning, the head rest can be removed completely. It is recommended that the resulting hole in the firewall be covered with suitable aluminum sheet.
- e. Two-way radios may be installed in the car. All components shall be securely attached and approved by Tech inspection.
- f. Racers tape may be used to repair crash damage, or as a precautionary means of securing the body retaining latches. Tape or vinyl may not close body seams or openings. Crash-damage is defined as

- having occurred during the current event, and the tape should be of an appropriate color if possible.
- g. Electronic memory tachometers from Auto Meter or Stack are allowed. NO MODIFICATION of the vehicle wiring harness is allowed. The power lead (+ 12V DC) shall be connected to the battery side of the ignition switch (not master switch).
 - h. A throttle return spring may be added at the foot pedal.
 - i. Aluminum Racing Products (ARP) seat may be installed. If installed the bracket kit furnished with the seat shall be utilized and unmodified. Butler seat P/N 180268 or 180268A may be installed.
 - j. Radiator - P/N 480466, may be replaced with Automotive P/N 1R698, CU698 or equivalent OEM manufacturer justified by one cross reference chart. The capacity, core thickness, etc., cannot be changed even if allowed under the above. The competitor is responsible for providing this documentation.
 - k. The center pedal divider may be removed in its entirety.
 - l. All gauges may be replaced with those of alternate manufacture. Replacement gauges shall fit in the existing dash and attach to the spec harness. Additional gauges may be added and shall fit in the existing dash, with all wiring inside the body, easily traceable, and separate from the existing harness. Gauge fittings may be added.
 - m. Rod ends may be replaced with rod ends having specifications equal to or greater than the OEM supplied rod ends. Replacement rod ends shall be capable of being installed with no modifications to any original components.
 - n. Original rubber clutch lines may be replaced with braided metal-covered (Aeroquip-type) size three (3) lines. Replacement lines shall be the same length as the originals as supplied by Enterprises.
 - o. Master cylinder caps are free.
 - p. The exhaust system may be thermal-coated and/or wrapped.
 - q. Spark plug wires may be fire sleeved.
 - r. Chassis/Engine data gathering systems may be installed. The data gathering system must have a separate wiring harness with visible wire tracing ability.
 - s. Anti-roll bars (swaybars) may be disconnected, but not removed.
 - t. Cockpit Brake Bias Adjusters are optional. SCCA Enterprises Brake Bias Adjuster Kit, P/N 880914 or any commercially available mechanical cable (non-electric) Brake Bias Adjuster is allowed. Adjuster must be permanently installed, in a safe, easily accessible location to the driver and shall perform no other function.
 - u. At the option of the owner, P/N 1190522 Enterprises Muffler Kit may be installed per instructions that accompany the kit.
 - v. It is permitted to insulate engine compartment fluid hoses using heat sleeve or wrap.
 - w. Spark Plug wire looms (wire separators) are allowed.
 - x. Exhaust gasket, Ford part number FOFZ 9448 A is allowed.
 - y. It is permitted to remove the gear from the end of the transmission speed sensor/dipstick or replace that part with an appropriate metal plug (on 1.9L only)
 - z. It is permitted to remove wiring harness plugs which are not used in the Ford conversion.
 - aa. Alternate thermostat allowed is Stant P/N 13829 (original is 13828) or equivalent OEM manufacturer justified by one cross reference chart. Installation of this thermostat requires replacing the rubber sealing gasket and housing to head gasket, both available at Ford dealers or aftermarket suppliers.
 - bb. It is recommended to use a 5.5 to 6 foot length of hose to run between the cam cover and air box, routing the hose forward and up along the roll bar support from the cam cover, before looping the vent hose back down to the air box. This is to keep oil from running directly from the engine's cam cover vent to the air filter.
 - cc. Alternate (recommended) location of the water temp gauge sender: Add a "tee" to the "piccolo tube" P/N 691814.
 - dd. Butler Head Restraint, Enterprises P/N 180267, may be used.
 - ee. P/N 1150002 In Tank Fuel Pump Kit is allowed and recommended with parts as delivered. Installed per SCCA Enterprises "In Tank Fuel Pump Technical Bulletin".
 - ff. SRF3 Oil Cooler, P/N G480503 may be used as mounted per the GEN3 Assembly Manual. No fan permitted for SRF.
 - gg. For endurance events only, Quick Refueling Kit P/N 1150003 is allowed.
 - hh. Dash Windscreen Kit, P/N 1180103 or P/N 180102, is allowed.

W. Mandatory Items

- a. Radiator screen mesh with a one-fourth (1/4) inch minimum opening shall be fitted to serve the single function of protecting the radiator from rock and stone damage and shall be a minimum of one (1) inch from the radiator core.
- b. Radiator baffle of aluminum, P/N 480893, to close the gap between the body and the radiator shall be installed.
- c. Front brake ducts are required. Four (4) inch diameter clothes dryer or similar ducting, extending from the openings in the side baffles to the brake area shall be used. The material shall be securely fastened to the upper or lower pan area with adequate ties or safety wire sufficient to secure it.
- d. Battery post covers are per GCR Section 9.
- e. Body opening modifications are absolutely forbidden.
- f. Tallman Hoop, P/N 180907(or A) and two P/N 180908 braces are required on all cars.
- g. All engine mounts, brackets, hoses, harnesses, and systems (see RFSRII) must be installed as per the RFSRII.
- h. The NACA duct must be installed in the location specified and perform no other function than its designed purpose.
- i. The heat shield (P/N 1191610) must be the original, unmodified part and be installed per the RFSRII.
- j. The shifter assembly and all linkages must be installed as per the RFSRII. It is permissible to alter the length of the shift lever handle above its upper pivot to tailor to driver preference. It is permissible to use the appropriate Torrington or Apex joint in place of the original Borgeson joint at the specified installation location in the shift linkage.
- k. Upper control arms (rockers) must be P/N 1180083 (or A,B) and P/N 1180086 (or A,B) .
- l. A rain / brake light comprised of a single standard trailer oval lamp, 2-1/4 inches x 6-1/2 inches, with incandescent or LED illumination is required in the original roll hoop mounting location. No changes may be made to the original 3-pin connector on the wiring harness. The secondary filament of the brake light assembly shall be connected to a switch enabling use as a rain light.
- m. Enterprises P/N 1140001 Aluminum surge tank is required. Radiator cap: lever-operated 16 lb relief cap is required. Enterprises P/N 1180801 plastic cooling system overflow bottle kit is required. A bleed tube from the thermostat housing to the surge tank is required.
- n. Alternator pulley (Enterprises P/N 902130) required.
- o. It is required that all cars display the official sponsors of SCCA Enterprises decals and locations as specified by Enterprises.
- p. The addition of a metal floor pan in the area of the foot pedals/ driver's feet, size shall be 27.87" x 21.56" x 1.25" made from 16 gauge metal. Must be securely fastened with rivets / bolts or 27.87 X 21.56 if stitch welded.

NO MODIFICATIONS to any component are allowed except as authorized above.

X. SPEC RACER FORD SPECIFICATIONS CHASSIS

- a. Vehicle Weight: 1670 lbs., minimum with driver.
- b. Front Springs: 262-279 lbs./in Enterprises P/N 280387 or previous Enterprises supplied part (ex. RO28037).
- c. Rear Springs: 412-429 lbs./in Enterprises P/N 280390
- d. Anti-roll bar diameter: .56 inches.
- e. Wheels: Front: 5.5 x 13 inches; Rear: 7.0 x 13 inches.
- f. Tires must be run as delivered.

Dry:

Front – Hoosier P/N 46340 P185/60ZR13 SRF

Rear – Hoosier P/N 46350 P205/60ZR13 SRF

Wet:

Front – Hoosier P/N 46100 P185/60R13 H20

Rear – Hoosier P/N 46105 P205/60R13 H20

Ground clearance is 2.5" with driver as raced when H2O tires are used.

or

Front – Hoosier P/N 46100 P185/65R13 W2

Rear – Hoosier P/N 46105 P205/60R13 W2

1. It is forbidden to regroove tires.
 2. The use of tire warmers or cooling methods other than natural air convection or conduction is prohibited. The penalty for violation will be the loss of qualifying times and/or the disqualification of race results.
- g. Brakes: Hawk Blue 9012 pads P/N 801993 must be used. Wilwood vented rotor P/N 800065 shall be used as delivered with no machining of any kind. Minimum thickness 12.20mm (0.481"). *The Renault Alliance solid front rotors may not be used.* Rubber caliper bushings may be replaced with bronze bushings P/N 1196185 or P/N 1196185. Original caliper pistons may be replaced with vented caliper piston P/N 1196184; no other modification allowed. Wilwood caliper with bracket universal fit P/N 800038 may be used as delivered with no modification of any kind. Wilwood knock back spring (2.63 lbs.) P/N 800045 may be used as delivered with no modification of any kind; maximum of one spring per caliper.
- h. Shock Absorbers: Only the Penske shock P/N 280396 with spec valving shall be used as a sealed assembly, with no modification of any kind. If shock seals are damaged in any way, the shock must be sent to an authorized SCCA Enterprises service center for verification and resealing at the competitor's cost. Only the SCCA Bump Stop P/N 280407 may be used, with no modification of any kind. Bump stops are optional. If used, only one bump stop per shock is permitted.
- i. Ground Clearance: Minimum is 2.75 inches measured at the frame on the front and rear axle lines with driver, as raced.
- j. Suspension linkage: Jam nuts must be used on all threaded adjustment locations of the suspension linkage. A spherical rod end may have no more than 0.570" of exposed thread, measured from a typical reduced height jam nut to the first formed thread of the spherical rod end. This measurement requirement does not apply to suspension turnbuckles, clevises, or OEM-type tie rod ends that have longer exposed threads.
- k. Negative camber shall not exceed 5 degrees front and rear.
- l. Transponder must be located on the right rear frame post, see SCCA Enterprises Technical Bulletin 001.2-2015. (Mandatory 6/1/2015)
-The TB was updated to allow for a wider mounting angle +/- 5 deg. / instead of +/-1.5 deg.
- m. Wheel bearings "ONLY" ferrous housing, balls or rollers are permitted, shall be run with grease (not oil), no special coating of the bearings. Grease seals shall be intact (unmodified).

Y. ENGINES (A-F are Drivetrain Violation Items)

- a. SCCA Enterprises, Inc., seals shall be intact in all locations. Two (2) each on cam cover, two (2) on the oil pan.
- b. Cam timing: Marks shall line up. Engines rebuilt after March 2011 have seals on the cam gear bolt. Seals must remain intact.
- c. Cylinder Head and Intake Manifold Ports: No porting, polishing, etc.
- d. EEC module is a Roush Spec Racer Ford specific part, sealed, P/N 992012
- e. Flywheel: Ford part P/N FOCZ-6375-A or equivalent min. weight: 16lbs, 2oz Clutch disc: Ford part P/N FICZ-7550-A or equivalent min. weight 1 lbs. 14 oz
Pressure plate: Ford part P/N FOCZ-7563-A or equivalent min. weight: 8 lbs.
Pulley: Ford part P/N FOCZ-6316-A or equivalent. Checking Tool Available from SCCA Enterprises
- f. Spark plugs: ONLY Motorcraft AGSF 24 C or AGSF 34 C or NGK TR6.
- g. Oil filter: ONLY Motorcraft FL-400 Series.
- h. Air Filter: ONLY Motorcraft P/N FA-1031 or Fram CA 3660.
- i. PCV Valve: Motorcraft P/N EV-147 or as supplied by Enterprises.

Z. TRANSMISSION (Drivetrain Violation items)

- a. Seals: Seals intact.
- b. Gear Ratios: STD
1st 3.42 : 1

9.1.8. Spec Racer Ford (SRF) Specifications

2nd	1.84 : 1
3rd	1.29 : 1
4th	0.97 : 1
5th	.73 or .77: 1
Final Drive Ratio:3.62 : 1 No limited Slip	

AA. BODYWORK

- a. NOSE-ON CAR
 1. Length at center: 62" +/- 1/2"
 2. Width at front axle centerline: 64-1/2" +/- 1/2"
- b. NOSE-OFF CAR
 1. Height at axle centerline: Minimum 21-1/4" (measured with rigid straightedge across tops of fenders)
- c. CENTER-ON CAR
 1. Height from side pod floor to top of leading edge behind center of front tire: 19" +/- 1/4"
 2. Cockpit opening length from firewall center behind seat to center top of opening lip: 37-3/4" +/- 1/4"
- d. TAIL-ON CAR
 1. Width at rear axle center: 66" +/- 1/2"
 2. Length at center: 43-1/4" +/- 1/4"
- e. TAIL-OFF CAR
 1. Height to top of rear lip: 16 1/8" +/- 1/2"
 2. Openings on rear panel:
 3. Outer: 9-7/8" Maximum x 1" Maximum
 4. Inner: 18-1/2" x 1" Maximum

2. SPEC RACER FORD 3 (SRF3)

A. SRF3 DEFINITION

It is the intent of the SRF3, a Ford 1.6L conversion, to update the current 1.9L SRF drivetrain for class longevity.

Cars must be converted per "SCCA Enterprises Conversion Manual" and it shall be used a reference standard for converted cars. **SRF3 cars must comply with all current SRF rules and regulations in 9.1.8.C.1. except as follows.**

B. BODY

Current SRF body rules with the exception as noted:

Tail: For muffler clearance, a minimum 4" cut and a maximum of 8" X 62.5 +/- .500" with a 1" radius in the upper corners. Measured from the bottom up and centered left to right. No Roush Exhaust Scoop. Min weight 25 lbs. Max 55 lbs.

Center section: Oil Cooler NACA Duct is optional for SRF3, if installed must be unmodified and functional. Trimming of the left engine duct or the airbox snorkel is permitted for fitment, no sealing of the joint.

Mandatory identification: "SRF3" near the side car numbers. "Hoosier" logo (4) on both sides front lower outer corners of the nose and each side of the tail.

C. ENGINE MANAGEMENT

Recorded ECU data remains the property of SCCA Enterprises and must be surrendered when requested. ECU Data collection by the competitor is allowed by "CAN DATA STREAM ONLY" ECU tune file is "spec" may be checked or updated by SCCA Enterprises or CSR personnel at any time is not at the discretion of the competitor. An update is official when released by SCCA Enterprises. No competitor device at any time may be active with the Engine management system. All engine management sensors must be connected and functioning. It is the responsibility of the competitor to maintain sensors in working condition.

D. COOLING SYSTEM

No modification of routing or line sizes without SCCA Enterprises approval or update.

1. Thermostat: P/N G300997A Stant

E. WEIGHT

1560 lbs minimum with driver as raced. Cool suit tanks are to be removed upon weighing of car. Ballast in approved locations only.

F. FIRE SYSTEM

Fire bottle and lines with approved bottle mount P/N 180512A. This mount can be moved to driver's right in the same fore aft location as before and maintain 1 driver and 1 engine bay nozzle.

G. OIL FILTER LOCATION

As delivered, alternate location by approval only.

H. ENGINE

No performance modifications of any kind.

SCCA Enterprises' seals shall be intact.

(2) on cam cover, (2) on the oil pan, (1) on each cam shaft.

Modification to any of the following parts will result in an automatic Drivetrain Violation:

1. Cam Timing: SCCA Enterprises Specs
2. Cylinder Head Ports: As Cast
3. PE3 ECU: P/N G992012 "Spec tuning"
4. EFI Harness: P/N G90500A
5. Wideband Controller: P/N G990503
6. Wideband Sensor: P/N G990504
7. T-Map Sensor: P/N G301023
8. Coolant Temp Sensor: P/N G991815
9. Intake Manifold: P/N G301036C As delivered, no deburring or port matching
10. Fuel Injector: P/N G591900
11. Coil: P/N G12029
12. Timing Belt Safety Device: P/N G113910
13. Crank Sensor Mount: P/N G980901A
14. Flywheel: P/N G390001 7lb 3oz minimum weight
15. Clutch Disc: P/N G720003B 1lb 1oz minimum weight
16. Pressure Plate: P/N G1172002A 3lb 15oz minimum weight
17. Alternator Pulley: P/N G902130 or P/N G902130A 12oz minimum weight
18. Spark Plugs: P/N G301041 ONLY NGK LTR7IX-11
19. Spark Plug Wire Set: P/N WR6126 ONLY Motorcraft
20. Header P/N G391600 As delivered, no port matching
21. Tail Pipe P/N G391605
22. Oil Filter: P/N FL910-S ONLY Motorcraft
23. Air Filter: P/N WM301020 or K&N RC-9160
24. Air Box: P/N G592230 As delivered, except as noted under body work, Air Box floor vent must remain open.
25. SRF3 Restrictor plate: P/N G301048 As delivered, installed between throttle body and intake manifold. Mandatory Jan. 1, 2022.

J. EXHAUST

Exhaust may be plated or coated. Repairs may not alter the configuration or tuned length of the header or tail pipe.

Standard Muffler Kit G1190523 (including Standard Muffler P/N 390523) is required for all events. For
GCR - 615

9.1.8. Spec Racer Ford (SRF) Specifications

tracks with stricter sound requirements Quiet Muffler Kit P.N G1190524 is available as a replacement for that event. Muffler packing of any kind is not permitted. Tail pipe may be tack welded to the muffler.

K. TRANSMISSION: (Drivetrain Violation Items)

No performance Modifications of any kind

SCCA Enterprises, seals shall be intact for all SCCA competition

Gear Ratios:

Ford/Mazda OEM 5-Speed:

1st 3.42 : 1

2nd 1.84 : 1

3rd 1.29 : 1

4th 0.97 : 1

5th 0.77: 1

Final Drive Ratio: 3.85

OR

SADEV-SRF3 6-Speed Sequential (beginning Oct. 4, 2021):

1st 3.0000 : 1

2nd 2.0667 : 1

3rd 1.5556 : 1

4th 1.2727 : 1

5th 1.0833 : 1

6th 0.9200 : 1

Final Drive Ratio: 3.20

E. SHELBY CAN-AM RACER CLASSED IN ASR

1. Definition

One design, fixed specifications, open cockpit, single seat sports racer.

2. Safety Requirements

Per GCR and SRCS minimums

3. Maintenance and Repairs

It is permitted to perform routine maintenance and repairs.

4. Chassis

NO MODIFICATIONS ALLOWED except as noted herein.

Painting/Plating. The chassis may be painted any color(s). Aluminum parts may be polished or anodized. Surface finishes such as plating may be applied for corrosion protection. Any chassis piece that is a closed assembly shall have a 1/8" DIA hole drilled in a noncritical location to allow flushing of any entrapped plating fluids. Post plating bakeout of four (4) hours at a temperature of 375 degrees F., is recommended to prevent hydrogen embrittlement. A flat sheet metal panel may be stitch-welded to the frame beneath the seat and feet area. The maximum thickness allowed is eighteen (18) gauge (.049"). The width of the panel may not exceed the width of the frame. Each panel must have three (3) 1/4" inspection holes.

5. Bodywork

NO MODIFICATIONS ALLOWED

- a. Bodywork crash-damage may be repaired, but exterior dimensions, shapes, thicknesses, and profiles shall remain unaltered. The addition of material to increase rigidity and/or the weight is prohibited. Body sections (complete) shall meet the following weight requirements.

Section	Minimum	Maximum
Front	33 lbs.	50 lbs.
Center	55 lbs.	96 lbs.
Rear	45 lbs.	64 lbs.

- b. At-track repair of crash-damage that does not conform to the above specifications will be allowed if replacement parts are not immediately available. This waiver will be noted in the vehicle logbook and will be good for that ONE EVENT ONLY.
- c. The car may be painted any color(s).
- d. It will be required that all cars display the following:
1. The SCCA field logo on the front and each side of the car.
 2. Class designation, ASR, per GCR Section 9.3 Identification Markings.
 3. Additional seven (7) inch high numbers are required on the outside of the wing end plates.
- e. The forward roll bar braces shall be padded per GCR Section 9.4.
- f. The rear lower corners of the fiberglass tail section may be cut off on an angle. The maximum that may be removed is four (4) inches high by sixteen (16) inches forward, measured from the rear corner. A reinforcing lip shall be installed on the inside of the panel.

6. Engine and Drivetrain

a. Engine

NO MODIFICATIONS ALLOWED except as noted herein.

This includes the fuel injection, induction, exhaust, cooling, electrical, and lubrication systems. All fluids are unrestricted. Engine maintenance which is permitted includes the replacement, but not modification, of external engine parts such as: spark plugs, oil filter, ignition parts, fuel pump, water pump, dry sump system, alternator/ water pump belt, hoses, valve cover, and oil pan gaskets. Exhaust system may be painted or plated. Oil filters may be replaced with an OEM equivalent. An alternate push-pull throttle cable, and necessary brackets are allowed.

b. Cooling

All coolers may be blocked off a maximum of fifty (50) percent to reach operating temperature.

c. Transmission

NO MODIFICATIONS ARE ALLOWED

Maintenance involving machine work of any type is not allowed, with the exception that welding repairs to broken cases are approved as long as the welding serves no other purpose. Internal transaxle work is strictly prohibited. This includes, but is not limited to, the replacement, modification, assembly, or disassembly, of internal transmission parts such as bearings, synchronizers, shifter mechanisms, etc.

Transaxle/drivetrain work which is permitted includes replacement, but not modification, of axles, CV joints, clutch disc, pressure plate, flywheel, throwout or pilot bearing, gear sets, or transaxle assembly.

9.1.8. Shelby Can-Am Specifications

7. Suspension

NO MODIFICATIONS ALLOWED except as noted herein.

- a. Adjustments are permitted within the limits of the suspension components. (See Specifications)
- b. Painting/Plating. Suspension parts may be painted any color(s). Aluminum parts may be polished or anodized. Surface finishes such as plating may be applied for corrosion protection. Any suspension piece that is a closed assembly shall have a 1/8" DIA hole drilled in a noncritical location to allow flushing of any entrapped plating fluids. Post plating bakeout of four (4) hours at a temperature of 375 degrees F is recommended to prevent hydrogen embrittlement.
- c. The uprights may be sleeved with a bushing in the ball post area for repair.
- d. Anti-roll bar (swaybar) may be disconnected, but not removed.
- e. Rod ends on lower rear control arms may be upgraded to a half (1/2) inch shanked rod end (P/N CS 1691). The rod end attaching bolt hole diameter must remain 7/16".

8. Brakes

NO MODIFICATIONS ALLOWED except as noted herein.

9. Springs

NO MODIFICATIONS ALLOWED

Factory authorized parts only. (See specifications) Helper springs beneath the normal springs are allowed, but must compress completely when the car sits on its wheels without driver.

10. Steering

NO MODIFICATIONS ALLOWED

Steering arms may be reinforced and made out of steel or aluminum, providing the geometry remains the same as original.

11. Wheels

NO MODIFICATIONS ALLOWED

12. Fuel System

NO MODIFICATIONS ALLOWED except as noted herein.

A returnless fuel system may be used as an alternate. The following modifications must be made when using returnless system:

- a. Fuel return line must be removed.
- b. Fuel rail regulator must be removed and plugged.
- c. Vacuum line to fuel rail regulator must be removed, and plugged at source.
- d. Electrical connectors may be changed.

13. Electrical System

NO MODIFICATIONS ALLOWED

Battery shall remain in the same location. A battery of any size may be used.

14. Weight

The car shall weigh 1980 lbs., minimum, including the driver.

15. Vehicle Configuration

All Shelby CAN AM cars shall comply to GCR Section 9., with the following exceptions: 9.3 Accumulators.

16. Updates

Provisions will be made for updates on all safety and mechanical improvements. Such updates will be effective when announced by the SCCA National Office and published in FasTrack.

17. Vehicle Logbook

Per Section 9.2 of the GCR (Can-Am Logbooks are no longer valid and shall be replaced with SCCA Road Racing Logbooks)

18. Accessory Items

- a. Use of cool suits by drivers is authorized providing the water tank is securely mounted and approved by Tech. The car shall meet minimum weight with driver, but without the water tank.
- b. Two-way radios and video cameras may be installed in the car. All components shall be securely attached and approved by Tech inspection.
- c. The seam between the splitter and the nose bodywork may be taped completely using duct tape. Duct tape may be used to repair crash damage, or as a precautionary means of securing the body retaining latches. Crash-damage is defined as having occurred during the current event, and the tape should be

of an appropriate color if possible.

- d. Recording tachometers are allowed.
- e. Anti-skid material may be added to pedal surfaces and floor of car.
- f. Alternate diameter steering wheel and/or quick disconnect steering wheel system is allowed as long as no other changes are made to facilitate installation.
- g. Chassis run blocks: Size = 5" x 1-1/2" x 1/4", material unrestricted, quantity eight (8) maximum.
- h. Mirrors and their attachment/mounting position are unrestricted.
- i. Seat modifications (for comfort and/or size) are allowed.
- j. Fasteners (including body) are unrestricted except for size.
- k. An oil pressure warning light may be installed.
- l. Additional oil filter(s) are allowed, any brand, any location, except that only a screen type filter may be installed in the suction lines.
- m. Additional body supports, such as a pad underneath the front corner on top of the crush box or a bracket on the side of the crush box is allowed.
- n. A stone shield behind the front wheels may be added, and must be mounted vertically against the bodywork, behind the wheel. A stone shield may be added behind the radiator tank and on the bottom of the radiator at the fiberglass duct. (May not serve any other purposes.)
- o. An extension on the floor pan of 6" x 40" as a stone guard/ belt protector may be added.
- p. The dead pedal and throttle pedal brackets may be modified for driver comfort.
- q. Additional gauges may be added.
- r. The use of data acquisition systems is permitted.
- s. A bleed fitting may be added to the thermostat housing.
- t. Additional belt guards may be added. Additional fences on the pulleys are allowed. The only machining allowed to the pulley is for mounting the fences. Alternate pulley diameters, bearings, or other modifications are not allowed.
- u. The plexiglass windscreen may be removed, but not modified.
- v. A transmission filter may be added.
- w. Liquid lines (oil, fuel, water) may be changed to metal braided lines.
- x. Bosch fuel pump P/N GFP216 may be used in addition to or in place of the original fuel pump.

Shelby CAN AM Specifications

CHASSIS

- A. Vehicle Weight: 1980 lbs., minimum with driver.
- B. Springs: I.D.: 2.55, Free Length: 8.00

<u>EIBACH P/N</u>	<u>WIRE DIA.</u>
800-250-0400	11.50mm
800-250-0450	12.00mm
800-250-0500	12.25mm
800-250-0550	12.75mm
800-250-0600	13.00mm
800-250-0650	13.25mm
800-250-0700	13.50mm
800-250-0800	14.00mm
800-250-0900	14.50mm
800-250-1000	15.00mm

- C. Anti-roll bar diameter: 1-1/4 x 0.065, 1-1/4 x 0.083, 1-1/4 x 0.095, 1-1/4 x 0.120
- D. Wheels: Front: 11 x 16, Rear: 12 x 16
- E. Tires: Shelby Can-Am cars may run any suitable tire that fits the specified wheels.
- F. Brakes:
 1. Brake Pads: Unrestricted
 2. Rotors: 12.18 x 1.25 vented
 3. Calipers: 1.75 x 4 piston (JFZ or Wilwood)

9.1.8. Shelby Can-Am Specifications

- G. Shock Absorbers: Unrestricted
- H. Suspension Linkage Adjustments: No more than 9/16 inches of the threads showing on any spherical rod ends and all suspension fasteners. This is a mandatory requirement to ensure sufficient engagement of the threads in the adjustable linkages.
- I. Master Cylinders: Brakes: 7/8" or 1"
Clutch: 5/8"

ENGINES

- A. Cam Specs: Checking Lift - .006"
Maximum Valve Lift - .500"
Lobe centerline - 104°
Duration - 284°
Int open - 38° BTDC
Int close - 66° ABDC
Exhaust open - 66° BBDC
Exhaust closed - 38° ATDC
- B. Cam Sprocket: Sprocket keyway and key in original configuration.
- C. Ports: Intake manifold and/or cylinder head - shall meet templates and volume.
- D. Flywheel: Minimum weight: 18 lbs, including ring gear, no machining.
- E. Pressure Plate: Minimum weight is 10 lbs., no machining. Manufactured by LUK.
- F. Clutch Disc: Minimum weight is 2.50 lbs. Manufactured by LUK.
- G. Spark Plugs: Unrestricted
- H. Fuel Pressure: (Idle)
Return System: Minimum 42 PSI, Maximum 51 PSI
(with vacuum disconnected)
Returnless System: Minimum 45 PSI, Maximum 50 PSI

TRANSMISSION

- A. Gear Ratios: 2.38:1, 2.08:1, 1.57:1, 1.29:1, 1.22:1, 1.15:1, 1.00:1
Final Drive Ratio: 3.22:1, 3.05:1
Bevel Gear Ratio : 1.16:1

F. OLDSMOBILE QUAD 4 CLASSED IN P2

The only permitted engine is the Oldsmobile 2.3 liter Quad 4. The modifications or additions covered by these specifications establish limitations on engine preparation. Engine components not covered or addressed in these specifications may be freely modified or replaced.

1. A cast iron Oldsmobile Quad 4 2.3 liter production cylinder block shall be used.
2. The maximum piston diameter is 3.631" (.010" over standard).
3. Camshafts and direct acting lifter assemblies shall not be modified. Re-drilling of the dowel hole in the camshaft sprockets to attain the required camshaft timing is allowed. It is also allowed to add an offset bushing to this re-drilled hole to attain desired camshaft timing. Camshafts shall be one of the following:
 - a. As manufactured and ground by Oldsmobile or by an aftermarket cam manufacturer to Oldsmobile factory specifications for Vin.A (W41) or Mantapart #OP 1149.

Duration:	219 degrees @.050"
Intake Center Line:	101° to 104° ATDC
Exhaust Center Line:	112° to 115° BTDC
Max Intake Cam Lift:	.410"
Max Exhaust Cam Lift:	.410"
Intake and Exhaust Base Circle:	1.420"
 - b. As manufactured and ground by Oldsmobile or by an aftermarket cam manufacturer to Oldsmobile factory profile Vin. D or Mantapart #OP 1148.

Intake Center Line:	101° to 104° ATDC
Exhaust Center Line:	112° to 115° BTDC
Intake Cam Lift:	.375"
Exhaust Cam Lift:	.375"
Intake and Exhaust Base Circle:	1.420"
4. A standard, unmodified Oldsmobile Quad 4 2.3 liter crankshaft shall be used. Only machining necessary for balancing is permitted. Tuftriding, Parkerizing, shot peening, shot blasting, and polishing are permitted. Minimum weight is 41.0 lbs. (18.57 kg). An unmodified LGO crankshaft damper, Oldsmobile P/N 22545438, shall be used. The damper retaining bolt may be modified or replaced for an oil pump drive.
5. No carbon clutches are allowed. Clutches are otherwise unrestricted.
6. The maximum allowed compression ratio is 10.0:1.
7. Light machining of the head for purposes of clean up and casting flash removal is permitted. Reshaping of inlet or exhaust ports is prohibited. Addition of material in any form is prohibited. The maximum intake port volume is 128.0 cc. The maximum exhaust port volume is 83.5 cc. The distance between the valve centers and the angles of the valves shall not be altered.
8. Piston, pin and retainer assemblies shall weigh a minimum of 500 grams each.
9. Valves shall be of the following specifications:

Intake Valve Face Diameter:	36.37 - 36.63 mm
Exhaust Valve Face Diameter:	31.37 - 31.63 mm
Intake Valve Stem Diameter:	6.972 - 6.990 mm
Exhaust Valve Stem Diameter:	6.959 - 6.977 mm
Intake Valve Minimum Weight:	68 grams
Exhaust Valve Minimum Weight:	56 grams
10. Connecting rod assemblies shall weigh a minimum of 680 grams each (including caps, nuts and bolts).
11. The only allowable intake manifold is the Oldsmobile Rocket manifold, part number 22551677. No modifications are permitted internally or externally. All unused vacuum ports shall be plugged with pipe plugs and a suitable sealer.
12. The throttle body may be bored to 60mm. The throttle body shall have vacuum ports plugged by removing pipes and installing pressed fit plugs with a suitable sealer. No un-metered air or fuel to the engine is allowed.
13. Balancing of reciprocating and rotating parts is permitted only by removal of metal.

G. ENTERPRISES SPORTS RACER PREPARATION RULES IN P2

1. Definition

One design, fixed specifications, open cockpit, single seat Sports Racer with Mazda 2.3 engine. Cars are packaged and sold by SCCA Enterprises, Inc. All replacement parts are supplied through SCCA Enterprises, Inc., and shall be official Enterprises Sports Racer parts except where noted in G.4.

2. Safety Requirements

Car will be delivered from the manufacturer with approved safety equipment. Replaced items shall be supplied through Enterprises, except safety harnesses may be replaced by any other that conforms to GCR Section 9.

3. Vehicle Configuration

All Enterprises Sports Racers shall comply to GCR section 9 with the following exceptions: Section 9.3 Accumulators.

4. Maintenance and Repairs

It is permitted to perform routine maintenance and repairs as long as existing parts are in no way modified and replacement parts are official Enterprises Sports Racer parts. If any official Enterprises' seal is broken, lost by accident or intent, the procedures outlined under G.18., shall be followed. Parts and materials with an Enterprises part number having the prefix "WM10" are considered to be unrestricted, providing their dimensions and materials are comparable. No other parts are to be considered "unrestricted" except where specified.

5. Chassis

NO MODIFICATIONS ALLOWED except as noted in these rules.

- a. Floor must meet P2 rules in GCR section 9.1.8.D.E.
- b. Seats are free. Panels inside the cockpit may be attached to the frame as long as the points of attachment are no closer than 6 inches apart. No welding or gluing of the seat to the structure of the car is allowed.
Definition of cockpit is: area between the front roll hoop and rear roll hoop.
- c. Painting or powder coating of the chassis is allowed.
- d. Enterprises foot drop box part # WM180020 may be installed.
- e. Transponder must be used per SCCA Enterprises Technical Bulletin 002-2016.

6. Bodywork

Modifications to bodywork as supplied by Enterprises only allowed as noted herein.

- a. Bodywork shape shall remain unmodified with the exception of holes for a slave or jumper battery plug, trackside beacon receiver, and tow hooks. All repair work must match original body dimensions and contours.
- b. Bodywork fasteners are free.
- c. The car may be painted any color(s), except primer.
- d. It is required that all cars display the official sponsors of Enterprises decals and locations as specified by Enterprises.
- e. Radiator screens are allowed and recommended.
- f. The rear wing is open but must meet P2 rules in GCR section 9.1.8.D.E.2.
- g. The stock headrest may be modified or replaced with any headrest meeting GCR section 9.4. The stock lateral bolsters may be modified or removed.
- h. Enterprises windscreen P/N: WM137000 is allowed.
- i. The front splitter overhang may be increased a maximum of 4 inches and this piece may be manufactured by the car owner. Any front splitter end plates may be added with a maximum forward length equal to the front splitter length and a maximum rearward length to the front of the front tire fender opening. Splitter and attached diffuser panel may be trimmed for tire clearance. Front splitter end plates (fences) may not have a height of more than 5 inches above the splitter top surface and may not extend below the splitter bottom surface. Dive planes may be added as long as they do not extend past the side profile of the bodywork.
- j. The front bodywork air inlet may be partially or fully covered but must follow the contour of the existing body shape.
- k. Any rear wing end plate is allowed but must meet P2 rules in GCR section 9.1.8.D.E.2.
- l. Side pod air evacuation openings behind the front wheel on the outboard side of the body may be partially or totally covered by any flat panel that follows the contour of the body. The side pod inlet opening for this air evacuation cavity behind the trailing edge of the front tire may be partially or totally blocked by any panel.

9.1.8. Enterprises Sports Racer (ESR) Specifications

- m. Car and engine bay floor must meet P2 rules in GCR section 9.1.8.D.E.
- n. Rear bodywork section (engine bay cover including rear fenders) may be modified so that it may be removed in no more than 3 pieces. No modifications may be made to the external surface licked by the airstream other than fasteners and must maintain the original shape of the bodywork as supplied by Enterprises. Additional underbody support brackets are open.

7. Engine and Drivetrain

a. Engine

1. NO MODIFICATIONS ARE ALLOWED EXCEPT WHERE SPECIFICALLY AUTHORIZED WITHIN THESE RULES. This includes all fuel injection and engine management components, including exhaust, cooling, electrical and lubrication systems. All systems are subject to test procedures and must conform to OEM specifications as stated and supplied by Enterprises. All fluids, except fuel, are unrestricted.
2. Enterprises, Inc., seals on the engine, and other components shall remain in place at all times. All engines shall be rebuilt, checked on an engine dynamometer, and sealed through Enterprises.
3. Engine maintenance, which is permitted, includes the replacement, but not modification of external engine and engine systems parts.
4. There are six (6) seals on the engine. Two (2) on the timing cover, two (2) on the top of the valve cover, and two (2) on the oil sump. They may not be removed or tampered with.
5. All rubber oil lines may be replaced with braided metal-covered (Aeroquip type) lines. Hose clamps may be installed on the rubber oil lines.
6. Intake manifold #WM03012 P2 manifold as delivered may be used. Absolutely no porting or the addition of material is allowed. No coating is allowed on the exterior or interior of the manifold.
7. Engine Control Unit (ECU): MBE or PE as supplied and sealed by Enterprises. Tampering of the ECU, ECU program, seal, wiring or sensors is prohibited.
8. The flywheel weight is a minimum of 2.6 lbs. for the Enterprises supplied flywheel. No modifications to the flywheel with the exception of normal resurfacing for clutch wear are allowed.
9. No modification to the crankshaft damper is allowed.
10. Cars with P2 floors may use SCCA Enterprises updated exhaust system and muffler if needed.

The following parts must be used:

11. Clutch: Enterprises supplied clutch and flywheel contained in kit #WM701000A, Piston # WM701004A, Throw out bearing # WM701006A, Small O-ring # WM1010405, Large o-ring #WM1010406, Flexplate and Ring Gear # WM1101053.
12. Spark Plugs are open.
13. Fuel Injectors: Part # WM591929
14. Throttle Body: Part # WM591930 or #WM591930 Jenvey
15. 55mm flat plate intake restrictor Part # WM303013 as supplied by Enterprises
16. Fuel Filter: Any fuel filter may be used as long as it performs no other purpose than to filter fuel.
17. Air Filter: Part # WM301020
18. Exhaust systems may be thermal coated or wrapped.
19. A heat shield between the engine block and the exhaust system is recommended for the purpose of protecting hoses, shifter cable, and wiring from the heat of the exhaust.
20. Where needed to meet sound limits, Enterprises muffler kit part # WM301046 or #WM303017 is required. The muffler may not extend beyond the back of the diffuser. An additional muffler or turndown may be added to accompany the stock muffler as needed to meet sound requirements.
21. An optional air to oil cooler is allowed. No water to oil heat exchanger is allowed.
22. An optional Enterprises alternator kit is allowed, Part # WM1100101 or #WM1194031.

b. Transmission

1. The transaxle as supplied by Enterprises is the only permitted gearbox. The casting has to remain original. No internal or external modification (including lightening) other than normal racing repair.
2. The servicing, replacement and modification of internal components is permitted by the competitor. With the following exceptions:
 - a. All components must be ferrous metal, except for bearing retainers and bearing cages.
 - b. Components manufactured by alternate manufacturers are permitted. Replacement compo-

nents must be direct replacements to the original components. Absolute minimum weights are listed below.

3. The rear cover plate may be manufactured or remanufactured using aluminum.
4. Differential – Only final drive ratios allowed are Elite 2.75/ SADEV 3.10 The differential must be as delivered. Must be able to use existing components.
5. Polishing, shot peening, REM® Isotropic treatment, heat and cold treatments are allowed. No coatings or plating is allowed.
6. Shift cable is free, but shifting must remain cable operated.
7. Throttle cable is free, but must remain cable operated.
8. The shift actuator assembly must operate as supplied by Enterprises. It can be polished, shot peened, or have REM treatment, heat and cold treatments.
9. Shifter operated blipper kit #WM1159138 only, may be used.

8. Suspension

- a. NO MODIFICATIONS ALLOWED. Adjustments are permitted within the limits of the suspension and steering components. All rod ends shall be engaged at least 1.5 times the diameter of the end.
- b. Front and rear springs are open.
- c. Competitors may use the entire travel of all suspension adjusted components as delivered. Alternate parts, unless specifically authorized are not allowed.
- d. All suspension parts shall have the SCCA code embedded (a label/or an Enterprises stamp) in the part. If they do not it is required to return part to Enterprises for proper labeling.
- e. Anti-roll bars (sway bars) may be disconnected, but not removed.
Anti roll bar sizes:
Front .875" OD ±.005"
Top Tee .750" x .135" wall, ±.005"
Top Tee Length: 7.5" maximum end to end
Rear lower stalk .615" Dia. ±.005"
Upper stalk .765" ±.005"
Arm length 5.470" shoulder to shoulder

Optional Front Sway Bar: Rotating blade style with or without cockpit adjustment. Minimum blade thickness 0.155" ±.005" Main Shaft diameter 0.590" ±.005", Length 6.006" ±.010". Cockpit adjustable full bar kit PN: WM1121008. Bar kit only (with set screw lock) PN: WM1121007

Optional Rear Sway Bar: #WM1102025 Kit

9. Shocks

Shocks are open.

10. Steering

NO MODIFICATIONS ALLOWED, except as described within these rules

- a. An alternate steering wheel may be used. "Butterfly" style steering wheels are not allowed.
- b. Upper steering shaft may be modified to accept an alternate steering wheel and/or hub (if applicable). It may also be modified to accommodate a larger driver.

11. Brakes

NO MODIFICATIONS ALLOWED, except as described within these rules. Only the AP 4 PISTON CALIPER BRAKE SYSTEM AS SUPPLIED WITH VENTED ROTORS as supplied by Enterprises shall be used

- a. Brake pads are open. Pad shims #WM801005 may be used
- b. Brake rotors are used as delivered, no drilling or lightening is allowed. Minimum Diameter is 10.450". Part # WM801002x Left, Part # WM801003x Right. Min width is .600"
- c. Master cylinders must be the Girling type.
Front master cylinder is .700" piston diameter, Part # WM802005
Rear master cylinder is .750" piston diameter, Part # WM802006
- d. Calipers must be AP 4 piston. Part numbers are:
LF # WM802004 RF #WM802003
LR # WM802002 RR # WM802001
- e. Brake lines are free (no plastic allowed).
- f. An optional brake duct kit Part # WMxxxxxx is allowed (TBD) is allowed.

9.1.8. Enterprises Sports Racer (ESR) Specifications

12. **Wheels (Only wheels supplied by Enterprises)**

NO MODIFICATIONS or MACHINING ALLOWED Aluminum racing wheel supplied from Enterprises with SCCA logo. If logo is worn off, or wheels that have been painted or powder coated, wheels must be inspected by Enterprises or one of their designated Customer Service Representatives and logos replaced.

Front: 8 in. x 13 in. Part # WM 205001- OZ Black
Front: 8 in. x 13 in. Part # WM 205001B- OZ Silver
Rear: 10 in. x 13 in. Part # WM 205002- OZ Black
Rear: 10 in. x 13 in. Part # WM 205001B- OZ Silver

Optional Jongbloed wheels maybe used
Front 8 in. x 13. Part #WM205016
Rear 10 in. x 13. Part #WM205017

- a. All wheel bearings shall be run with grease (not oil), no special coatings are allowed, and the bearing grease seal shall be intact. No ceramic wheel bearings are permitted.
- b. Wheel spacers are not allowed.

13. **Tires**

Tires must run in sets of 4 as stated below:

Dry: Any commercially available "Dry Slick Racing Tire"

Wet: Any commercially available "Wet Racing Tire"

Left and right front tires will be the same size; left and right rear tires will be the same size.

14. **Electrical System**

NO MODIFICATIONS ALLOWED, except as described within these rules.

- a. Wiring harnesses must remain as delivered.
- b. Battery may be replaced with a larger one as long it remains in the same location.
- c. Battery wiring is free. Car must shut off when master switch is turned off.
- d. Any instrumentation is allowed.
- e. Data acquisition is allowed, no telemetry is allowed.
- f. Any rain light and tail lights are allowed.

15. **Weight**

The car shall weigh 1375 lbs. minimum, including the driver.

16. **Updates**

Provisions will be made for updates on all safety and mechanical improvements. When part updates are needed, because of reliability, supply or obsolescence, testing of parts from alternative, updated sources with direction and approval from SCCA Enterprises may be used in sanctioned events. Such updates will be effective when finalized by Enterprises, announced by the National Office, and published in Fastrack.

17. **Vehicle Logbook**

The Vehicle Logbook for each Enterprises Sports Racer remains the property of Enterprises and will contain not only the record of technical inspections, but also the major maintenance performed and all transfers of ownership. The Vehicle Logbook number will be the same as the factory chassis number that is stamped on the name plate mounted on the fuel cell behind the driver's shoulders. When the vehicle is sold, traded, or scrapped, the logbook shall be sent to SCCA Enterprises, Inc., 14550 E. Easter Ave Suite 400 Centennial, Co. 80112. The logbook will then be reissued to the new owner. When the logbook has been filled, a new one shall be requested from SCCA Enterprises, Inc.

A FEE OF \$200 WILL BE CHARGED FOR LOST LOGBOOKS.

The logbook shall be presented at scrutineering for each event entered. All Enterprises Sports Racers are subject to normal safety inspection. Additionally, scrutineers will check each official seal. A competitor may not be barred from competing at a specific event if a seal is broken, damaged, lost or part not properly labeled but the part may be considered suspect and will be treated as such and will be required to be sent back to Enterprises for inspection. If engine cam cover or oil pan seals are broken, damaged, or missing, the engine shall be removed and sent to Enterprises for testing and resealing. The competitor will bear all expenses at the competitor's cost prior to the next event.

18. **Seals**

Enterprises engine seals are required for all races. Any competitor who runs an event without all proper engine seals in the required locations may have his engine removed and shipped to Enterprises for testing and sealing after that event. The competitor will be responsible for all cost incurred by this procedure regardless of the

findings, and subject to penalty by the SOM if engine is found to be not as specified.

SCCA Enterprises, Inc., seals are required on all Sports Racer Engines.

Any counterfeit engine seal found by an authorized representative of SCCA, Inc., or SCCA Enterprises, Inc., shall immediately render that engine illegal for further use, without need of dyno testing or inspection. SCCA Enterprises, Inc., will not be under any obligation to bring an illegally sealed engine back to legal condition. Penalties shall include all of the following: 19.1., 19.2., 19.3., and 19.4.

18. Accessory Items

- a. Mirrors are free.
- b. Two-way radios may be installed in the car. All components shall be securely attached and approved by Tech inspection.
- c. Racers tape may be used to repair crash damage, or as a precautionary means of securing the body retaining latches. Crash-damage is defined as having occurred during the current event, and the tape should be of an appropriate color if possible. Taping of body joints is not allowed
- d. The spark plug wires may be fire sleeved and may be loomed, but must be original Mazda wire as supplied by Enterprises.
- e. Engine compartment fluid hoses may be insulated using heat shield or wrap.
- f. Front and rear tow hooks are required see GCR section 9.3 Towing Eyes.

NOTES:

T1 Category Purpose and Philosophy:

Intent- Touring 1 (T1) is intended to be the pinnacle of production-based competition in the SCCA. The intent of the T1 category is to allow competition of high-performance production-based vehicles either; 1) built from road-going donors or 2) initially sold as a race ready car. Vehicles in this category must be identifiable with vehicles offered for sale to the public and available thru manufacturer distribution channels within the USA. Alternate cars may be approved on a case-by-case basis but will be limited to factory-based models.

Philosophy- *The T1 philosophy is to allow balanced competition between racers that approach the class from different scenarios. 1) Some will opt to race a production-based vehicle with safety equipment and common and widely available performance modifications 2) Due to the increasing complexity of high-performance cars, late model T1-capable cars are primarily being built by manufacturer-backed programs. Drivers that opt to race these cars will be required to comply with a specific homologation or spec sheet as defined in their spec line. Examples are GT4 cars or the track-ready Mustang FP350S. 3) Some will choose to campaign cars built for a different series. An example is the inclusion of Spec Corvettes.*

T1 Car Eligibility:

Cars are eligible for the class when the car or the chassis appears on a specification line and with the specific allowances permitted. New models and allowances will be considered after being properly requested through the CRB's letter log system. New model submissions must include Vehicle Technical Specifications (VTS) sheets. Allowances that are permitted are not mandatory and a vehicle may race without any given positive allowance. T2 cars may race in the T1 category if they meet minimum safety requirements. Minimum weight for any new T1 classification is 3000 lbs.

The T1 rules are broken into 2 categories: 1) Cars that were once showroom models, which were converted to race cars conforming to the following category rules, and 2) Cars that were built to meet the homologations of a different series or were built by a factory as a track-ready car.

Category rules for showroom models begin in at "A. Bodywork" and continue to "N". Allowed homologated cars must comply with the second set of category rules found after the first set of spec lines and resume at "Q".

Only cars listed in the following spec lines are eligible to compete in SCCA Touring 1 races. Not every spec line is automatically eligible to compete in the National Championship Runoffs. All new spec lines will be required to compete in at least 3 Super Tour events prior to being able to enter the Runoffs. This provides the club the chance to evaluate new spec lines before they enter.

Old or unused spec lines will be removed from these rules through the following process: If a spec line or engine option is slated to be removed, it will be marked with "Expiring" and an effective date in the "Spec Line Number" column. If you compete under one of these spec lines, or intend to soon, please submit a request through the SCCA's letter system. If a spec line or engine option was removed, you may request to re-class it.

A. Bodywork

1. *Hoods, trunk lids, and front fenders may be replaced with panels of any type material, provided that the panel maintains the OEM profiles. For the sole purpose of tire fitment, wheel arches may be flared up to 3" and must maintain the OEM profile. The hood may have heat exhaust vents installed in it. Hood inlets (scoops) are not allowed. The vents shall not expose the mechanical components of the car when looking down from above. The permitted transmission and differential coolers may vent through rear license plate frame. There shall be a screen, painted the same color as the surrounding bodywork, covering the vent opening. Any OEM non-functional, decorative vents/ducts may be made to be functional provided the exterior body appearance is not modified.*
2. *It is permitted to roll under or flatten any interior lip on the wheel opening for tire clearance. Cars with plastic/composite fenders may remove any interior wheel opening lip, but the resulting material edge shall be no thinner than the basic fender material thickness. Non-metallic inner fender liners may be removed.*
3. *Standard body appearance must be strictly maintained. Standard body appearance includes the OEM grille and badge.*
4. *Body and frame seams and joints may be welded. The OEM radiator supports may be replaced or reinforced to make repairs easier. The radiator supports shall not reinforce the rest of the chassis or diminish the OEM crush zones. Tubular/removable front clips are not permitted.*
5. *Bumper brackets may be modified, but bumpers must remain in OEM locations.*
6. *Non-essential body items and trim may be removed including attaching brackets and supporting structure. Any holes in bodywork exposed by the removal of these items shall be covered or filled.*
7. *All of the vehicle's doors must be able to be opened from both inside and outside the vehicle. Latches and hinges for the doors may be modified, but must remain in working order. Electric door latches may be removed and replaced with mechanical linkage. Mechanical door latch location must be marked to be visible to workers. Aftermarket latches and hinges may be used but shall not protrude beyond outer surface of bodywork. The stock side impact beams may be removed when NASCAR style door bars are installed.*
8. *Hood and trunk pins, clips, or positive action external latches are permitted. Stock hood and trunk latches and hinges may be disabled or removed; if so, a positive action external fastening method shall be used. Engine compartment insulation may be removed.*
9. *Openings in the bodywork may be temporarily covered, wholly or partially, with tape for the purpose of regulating airflow. Bodywork openings may be closed off using close-out panels mounted behind body openings. Bodywork seams may not be taped except to temporarily secure it after contact.*
10. *All bodywork and windows shall be sufficiently rigid, adequately supported and properly secured such that it does not noticeably flutter, move, or deform while vehicle is in motion.*
11. *Aftermarket OEM style hardtops are allowed.*

B. Aerodynamic Devices

1. *Front Splitter*
 - a) *A front splitter that is a flat, single-plane may be added. The splitter shall have no vertical deviations. The permitted splitter may close out the underbody from the leading edge of the approved bodywork, back to the centerline of the front axle. The splitter may be mounted to the front fascia via a vertical intermediate mounting surface. If the vertical mounting surface overlaps the front fascia, it may not overlap more than 2.0 inches. Additionally, a maximum of 4 rods, or cables, may be used to support the front, and/or sides, of the splitter. No other material(s) may be used external to the body to support the splitter. A single-plane vertical close-out panel(s) may be used to bridge the gap between the front fascia and the splitter. Splitter designs may incorporate openings for brake ducts provided it does not affect the standard body appearance.*
 - b) *The minimum ride height of front splitters and air dams is 3.0 inches.*
 - c) *The front splitter must not extend more than 2.0 inches past the original or approved bodywork as viewed from above for the entire profile of the splitter.*
 - d) *The splitter shall not extend laterally any further than the widest point of the outside sidewall of the front tires with the wheels pointed straight ahead. The splitter may not extend more than 2.0 inches beyond the bodywork, regardless of where the outside edges of the front tires are.*
 - e) *The splitter may have vertical deviations, fences, etc., only if they are part of the production body-work for street use.*

2. Rear Wing

- a) *The wing shall be mounted to the trunk/deck lid or bumper frame with 2 mounting brackets. Each mounting bracket shall attach to the wing at a point that is at least 2.0 inches inboard of endplates. The wing, and the portion of the mounting brackets located externally to the trunk/deck lid, may only be reinforced by a diagonal strut having no aerodynamic effect, and/or by affixing the external parts of the brackets to internal parts of the brackets within the trunk/cargo area. The internal parts of the brackets may protrude through the trunk/deck lid to allow the two parts of each bracket to be fastened together.*
 - b) *Factory wings and spoilers are permitted, but must be removed if an approved wing is installed.*
 - c) *Wings shall be a single element and single plane with a maximum chord length of 12.00 inches, including any Gurney flap. (except as allowed in 9.1.9.1.B.2.h).*
 - d) *The entire wing assembly may be no wider than the widest part of the car, not including fender flares/lips and mirrors, or a maximum width of 72.0 inches, whichever is the lesser.*
 - e) *The entire rear wing assembly, including the end plates and any Gurney flap, shall be mounted level with, or below, the peak of the roof.*
 - f) *The trailing edge of the rear wing may be mounted no further rearward than the center of the rear-most part of the approved bodywork unless otherwise noted on specific spec line.*
 - g) *Wing end plates must not exceed 144.0 square inches.*
3. *Any car not using a wing and/or splitter may subtract 150lb.*
4. *A close-out panel may be mounted behind the grille.*
5. *OEM side skirts may be used if they were available on the car from the dealer provided they meet the minimum ride height rule. Aftermarket side skirts may be used provided they meet the minimum ride height rule, have no openings/ducts in them other than for jacking insert(s), are no wider than the approved fascias, do not extend any higher than the bottom of the door and do not reinforce the chassis.*
6. *Canards or dive planes are not permitted unless part of the OEM bodywork or permitted on spec line.*

C. Interior

1. *The following items may be installed: Safety equipment/structures, seat, controls necessary for driving, instrumentation, electronic equipment, radio, camera, battery, driver cooling system, driver ventilation system, replacement door panels/ interior trim, anti-sway bar controls (not within reach of driver). None of the above items may hinder driver exit from the car.*
2. *The driver's seat shall be located in the same lateral location as the OEM seat, unless otherwise allowed on a car's spec line. The transmission tunnel may be modified for the purpose of installing a competition driver seat. The floor pan must remain in its original position, but may be modified 1" to accommodate driver's height.*
3. *All interior trim may be removed excluding the dash. Original instruments/gauges may be replaced, or supplemented, with additional monitoring gauges. Accessories, lights and switches may be added or removed. Box-type extensions from the dash pad may be used to mount switches and controls, in the areas where the OEM insert panels were mounted, so that they more easily accessible to the driver. Audio and video systems may be removed. Alternative (i.e. carbon or fiberglass) OEM style and Configuration dashboards may be used with a 25 pound penalty.*
4. *Vertical bulkheads, and enclosures, within the cockpit shall not be any higher than the bottom of the side windows. No bulkheads shall cover the rear foot wells. This rule may be superseded in the spec line*
5. *Dash pad modification – It is permitted to modify the dash pad in order to run the roll cage tubes through the dash area as long as the dash pad is modified only enough for roll cage fitment. If necessary, the dash pad may be parted to ease installation around roll cage. Any such parting shall be done in such a way as to minimize the appearance that they have been separated once pieces of dash pad are installed.*

D. Chassis

1. *All cars shall have the OEM rear package shelf and/or rear seat back support structure installed if applicable. As an alternative, a metallic close out panel may be installed that simulates the rear*

package shelf and/or the rear seat back support structure if applicable. If a close out panel is used to clean up the appearance of the rear package shelf and/or rear material is free.

2. *Cables, wiring and fluid lines in the engine compartment and cabin interior may be replaced, rerouted, and/or protected.*
3. *Cars that have driveshafts shall have two 360-degree loops of sufficient strength located as close as possible to the front and rear universal joints to prevent the driveshaft from dropping in case of failure of either universal joint. Floor materials, torque tubes and cross members may also be utilized to provide this protection.*
4. *It is permitted to attach one or more plates, or pads, under the car to provide for jacking of the car, provided they serve no other purpose. It is prohibited to install any kind of device, which protrudes from the rocker panel or side of the car. However, tubes may be attached to the roll cage or chassis and extend to the inner surface of the rocker panel or bodywork to act as a receptacle for a jacking fixture. Air jacks are permitted, but no air source may be carried on board. Jock points are considered when measuring ride height.*
5. *Ride height will be measured without driver at the lowest point of the rocker panel, not including the pinch weld. Minimum ride height is 3.5 inches.*
6. *The OEM firewall between the cockpit and engine compartment shall be intact to prevent the passage of flames from the engine compartment to the cockpit. Any holes in the firewall must be of the minimum size for the passage of controls and wires, and must be completely sealed.*
7. *Both front windows, driver and passenger, shall be down (preferably removed) whenever the vehicle is on track. The OEM window opening on the front doors shall not be filled in with any material, other than the material required to mount a NACA-duct for driver cooling. The area closed off to mount the NACA- duct shall not exceed 50 square-inches. Enough open area for the driver to exit in an emergency shall remain open at all times.*
8. *All vehicles must use a stock, OEM equivalent, safety glass windshield, or 6 mm minimum thickness Lexan replacement, mounted in the stock location, at the stock angle and maintaining the stock profile.*
9. *Windshield clips, per GCR section 9.3 Windshield Clips/Rear Window Straps, are permitted and recommended. Rear window clips are permitted.*
10. *Side windows, not including the front door windows, and rear windows may be replaced by clear Lexan-type plastic material having a minimum thickness of 0.125 inch, but must retain the same shape, size, and location as the original glass. NACA-ducts may be mounted in the side windows. The rear window must be secured by 2 additional straps 1.0 inch wide by 0.0625 inch thick minimum, bolted or riveted to the body at both the top and bottom of the rear window. If a Lexan rear window is mounted with multiple, evenly spaced screws around each side of its perimeter, safety straps are not required. If a DOT spec glass rear window is used in conjunction with the OEM method of mounting, safety straps are recommended, but not required.*
11. *Windows may be mounted and sealed with silicone. Any silicone used to bridge the gap between the perimeter of the window and the chassis shall be neat in appearance and uniform in thickness. Tape may only be used to seal the windows during wet track sessions for the purpose of reducing the amount of water entering the cockpit.*
12. *OEM side window framework shall be intact.*
13. *Acrylic or glass removable/moveable roof panels may be replaced with the same material as the surrounding roof. All brackets, mounts, and moldings must be removed. Fabric tops are not permitted and shall be removed along with all associated hardware. It may be replaced with an OEM hardtop if one is available.*
14. *Unused mounting tabs and brackets that are non-structural may be removed.*
15. *The OEM "rain gutter/tray" at the base of the windshield shall be intact and in the OEM location.*
16. *The floor pan may be modified to provide clearance for the exhaust system and allowed alternate trans- mission/transaxle.*
17. *Inner fender panels may be modified or replaced.*
18. *Convertible model cars may compete with a hardtop or as an open car.*
19. *Fasteners are free. Titanium fasteners are prohibited. Fasteners may be replaced with adhesives.*
20. *Rounded coverings may be used at the rear of the front window openings to bridge gap between the leading edge of b-pillar and inner edge of main roll hoop. The material and design of these coverings is free, but shall be neat in appearance and securely fastened.*
21. *A third (3rd) tube on each side may extend through the firewall to the chassis in the engine*

9.1.9.1. Touring (T1) NEW Category Specifications

compartment. These tubes shall not extend forward of the shock towers.

22. *An underbody close-out panel(s) may be used in the area behind the rear axle. These panels shall not alter the external appearance of the car when looking from the rear and sides of the car (i.e. we want to have to lay on the ground to see them). If the production car uses underbody trim pieces, the OEM trim pieces may be removed or replaced, but any close-out panel(s) used may not visually hide any more of the mechanical components, when looking from the rear and sides of the car, than the OEM trim pieces do. The close-out panels shall not completely bridge the gap between the rear floor pan area and the rear axle centerline. On rear engine cars, any close-out panels shall not extend any further forward than the rear axle centerline. Cars with a fuel cell, engine, etc. that extend down into external visual range shall fit the close-out panel(s) around the component in such a way that it does not alter the external appearance of the car.*
23. *Chassis bushing material is not restricted*

E. Engine

1. *Engines may be used if they are shown as an engine option on the spec line. Engine options will be considered if the manufacturer of the vehicle and engine are the same (e.g., an Acura engine installed into a Honda car) and was available in a car delivered in North America. Engines from vehicles not available in a car delivered in North America may be considered and approved on a case-by-case basis. For an engine to be considered, a member must submit to the CRB a Vehicle Technical Specifications (VTS) sheet with all engine parameters filled out and all supporting documentation. If approved, all allowances will be noted on the proper spec line.*
2. *OEM Engine option- Some spec lines are offered the option to utilize OEM engine specifications. This option is indicated in the "Maximum Displ." Column of the spec lines. When using this option, it is permitted take advantage of the durability allowances listed below, including valves, pistons and rods. These parts must be greater than or equal OEM weight, and must meet the specifications set forth in the factory service manual. OEM engines may use a dry sump system. The use of an alternate oil pan and pickup tube is allowed.*
3. *The crankshaft shall be a stock OEM part or an aftermarket part as long as it is of identical dimensions, material, and within 3% of the mass of the OEM part for the specific engine. The crankshaft may be balanced. The maximum weight reduction allowance for balancing of the crankshaft is 0.5 lbs. The maximum weight reduction allowance for the balancing of the reciprocating assembly is 15 grams.*
4. *Blocks may be sleeved to repair cylinder walls. Engines may be bored to a maximum of .040 inch over standard bore size.*
5. *Rocker arm, lifter, follower, pushrod, keeper, retainer, guide, and seat materials are free; Titanium is not permitted, except for retainers or OEM parts. The head may be machined to fit valve train components. Rocker arm ratio must meet OEM specs.*
6. *To increase the compression ratio, the bottom of the head may be machined.*
7. *Alternate pistons are permitted and/or the pistons may be machined. Maximum compression ratio is 12:1 unless noted on the spec line. Must use SCCA approved fuel.*
8. *Alternate connecting rods are permitted given they are within 3% of the OEM weight or greater. Rods must be ferrous*
9. *Valves may be replaced with Performance alternatives provided; 1) that the weight of the replacement is equal to or greater than OE. 2) they are the same size and profile as OE. Valve springs may be replaced with aftermarket alternatives provided they are the same configuration and size as OE +/- .015"). Valve lift is limited to .600 inches. OEM engines must retain OEM valve lift and duration.*
10. *Performance alternate camshafts are allowed. Camshaft timing is free.*
11. *Cars produced with an electronic throttle body may use the OEM electronic throttle body. The OEM electronic throttle body may be converted to manual actuation and the actuation cam on a manual throttle body may be changed to alter the opening/closing rate of the butterfly. Alternately actuated throttle bodies may be considered on a case-by-case basis.*
12. *The ignition system is unrestricted.*
13. *Aftermarket and performance alternative ECU, wiring, and transmission controls are permitted. Engine calibration (spark and fuel) is free.*
14. *Performance Alternative TCS is allowed. Reprogramming of OEM TCS systems is permitted.*
15. *Fuel injectors and fuel rails must maintain the original number and mounting locations, but are otherwise free. Fuel pumps and fuel filters are free in type, size and number.*
16. *The location and type of the fuel pressure regulators are free provided they are mounted within the*

engine compartment or the OEM location.

17. *Vents, breathers, and oil filters may be added, or substituted. All emission control devices may be removed and the resulting holes plugged.*
18. *Replacement gaskets and seals are free, including head gaskets. Replacement gaskets and seals must be made out of material(s) designed to seal the parts of an engine. Replacement gaskets and seals may not perform any other functions. Head gaskets may be used to adjust compression ratio.*
19. *The intake manifold on piston engines may be port matched to the head(s), provided no material is removed further than one inch in from the manifold to head mounting surface(s).*
20. *Variable cam timing (VTEC, VANOS, etc.) and variable length intake manifolds may be partially, or wholly, disabled. Variable cam timing systems that use multiple cam lobes for each valve(s) may remove lobes from the camshaft(s) that are not being used.*
21. *Cars utilizing forced induction may not have a boost controller within reach of the driver. A car must enter pit lane to have the boost level changed by the crew if necessary. Competitors must be prepared to demonstrate the boost adjustment process to officials.*
22. *All cars shall use the installed engine's stock air throttling devices (e.g., throttle body, carburetor) and intake manifold, unless noted otherwise. Components upstream of the throttling devices are free.*
23. *Unless otherwise noted, the following restrictions apply to turbochargers.*
 - a) *The inlet restrictor (if required) shall be positioned within six inches of the compressor wheel.*
 - b) *Turbochargers or superchargers that have been added to spec lines are grandfathered in the class, but will not be considered going forward. Swapping of turbochargers between engine makes and models is prohibited. Supercharged cars may be approved on a case-by-case basis. Alternate water pump, alternator, crankshaft dampers, and/or power steering pulleys are unrestricted. Crankshaft pulley is unrestricted for all non-supercharged engines; supercharged engines must use OEM crankshaft and supercharger pulleys unless otherwise noted on spec line.*
- 24) *All cars may fit the approved carburetor and manifold. The approved manifold may be ported and polished, but its design and configuration shall not be altered in any other way. The lowering of or boring of holes in the center divider is prohibited. Removal or obliteration of the manifold part number is prohibited.*
 - a. *The approved carburetor shall be a maximum of 650 cfm and 4 barrels. The approved optional insulator (Holley #108- 12), and manifold (Edlebrock Performer RPM #7101-General Motors / #7121-Ford/Mercury) shall be fitted to cars.*
 - b. *Except as permitted in these rules, the carburetor shall not be modified in any way. Any carburetor jets, accelerator pump, pump cam, and accelerator pump nozzles may be used. Power valves, metering blocks, and floats may be altered or replaced. No venturi (including secondary or auxiliary) shall be modified in any way, but they may be aligned. Idle holes may be drilled in the throttle plates (butterflies). Carburetors may be modified to allow "four corner" idle adjustment.*
 - c. *The external throttle linkage to the carburetor may be modified or changed. Choke mechanisms, plates, rods, and actuating cables, wires, or hoses may be removed. No removal or alteration of the carburetor air horn is permitted.*
 - d. *All air entering the intake tract shall pass through the carburetor air inlet.*
25. *Cars may modify, or replace, motor and gearbox mounts provided that the engine and transmission are located in the OEM location. This includes the use of "torque plates". All engines will be mounted in the stock position unless otherwise specified. Where an engine setback is allowed, the OEM firewall may be modified only enough to accommodate the engine set back.*
26. *The following cars may set the engine rearward a maximum of 4.0 inches and may lower the engine a maximum of 1.5 inches: **This rule is set to expire as of Jan 1, 2024.***
 - a. *Cadillac CTS-V (04-07)*
 - b. *Pontiac GTO (04-08)*
 - c. *Ford Mustang (85-02)*
 - d. *GM F-Body (93-02)*
27. *The intake and exhaust ports on piston engines may be ported at a 3% weight penalty. The valve guide may be machined as part of this porting.*
28. *Dry sump systems are allowed. The dry-sump system is limited to 5 stages. It shall consist of 1 pres-*

9.1.9.1. Touring (T1) NEW Category Specifications

sure stage and a maximum of 4 scavenge stages. If the OEM style pressure pump is used it shall count as the one permitted pressure stage. There may be a maximum of 2 two-port scavenge stages, or a maximum of 4 single-port scavenge stages, or any combination such that oil is not being scavenged from more than a maximum of 4 locations.

- 29. The oil pan and oil pickup may be baffled, modified, or replaced. The OEM oil pump may be modified, or replaced with an OEM-style oil pump. It is strongly suggested that oil drain plugs be secured with safety wire.*

D. Cooling

- 1. Water Cooling- Provided that the stock method of cooling is retained, the cooling system is free, including cooling fans, but the water radiator must remain in the approximate OEM location. The mounting angle may be changed.*
- 2. Engine Oil Cooling- Coolers for the engine oil are free in number, type and location.*
- 3. Intake Air Cooling- Cars utilizing forced induction may install intercoolers. The number, type, and location of intercoolers are free. Performance alternative Intercoolers are permitted.*
- 4. Water Spray Systems- Water may not be sprayed on any component aside from the windshield.*
- 5. Other Cooling systems; transmission oil, power steering, etc are not restricted*

E. Fluid Piping & Fuel Tank

- 1. Fuel Cells/Tanks- The use of a fuel cell is required unless the stock fuel tank is located between the axle centerlines and within the main chassis structure (i.e., frame rails, etc.). All fuel cells must comply with GCR 9.3. Proper bracing to protect the fuel cell in the event of a rear-end crash is required. If a fuel cell is installed in the rear hatch/rear trunk area, the OEM floor pan in that area may be replaced with metal in order to make it easier to mount the fuel cell and close out the area around the fuel cell.*
- 2. There must be a metal bulkhead completely separating the cockpit from the compartment containing the fuel cell. This does not negate the requirement that the fuel cell bladder be contained in a metal container.*
- 3. No line containing engine coolant may pass through the cockpit. No hydraulic fluid lines may have removable connectors inside the cockpit.*
- 4. All fluid hoses, lines, reservoirs, and tanks that are in the cockpit, or cargo area that is open to the driver, shall be separated from the driver by rigid metallic and/or non-metallic enclosures and/or deflection shields to prevent fluid from spraying on the driver in case of a leak. Magnesium is prohibited. Waterproof flexible wraps may also be used to prevent fluid from spraying on the driver. The floor of these enclosures, or the area under the deflection shields, shall be designed to prevent the accumulation of fluids.*
- 5. No fuel cooling devices are permitted in the car.*

F. Oil System

- 1. If the oil tank is located in the cockpit area, or a trunk area that is open to the driver, it must be separated from the driver by a metal enclosure made up of .036 inch steel, or .059 inch aluminum. This is in addition to the 10mm thick crushable structure that is required in section 9.1.4.1.2. The floor of the enclosure must be designed to prevent accumulation of fluids.*
- 2. Accusump-type systems may be used.*

G. Exhaust System

- 1. Headers are allowed*
- 2. Exhaust is free, as long as it exits behind the driver. The exhaust pipe may not protrude more than 3.0 inches at the point where it exits the bodywork (rear) or 1.0 inches (side) when viewed from above. If the exhaust pipe(s) exit the bodywork at the widest part of the body such that any extension of the exhaust pipe(s) beyond the body would make pipe(s) the widest point, the exhaust pipe(s) must be trimmed flush (+/- 0.5 inch) with the bodywork at the point that they exit the body. Minor body modifications are permitted to accommodate exhaust systems. Modifications shall serve no other purpose. The underbody rocker panels may be modified for the installation of the exhaust system, but these modifications may only serve to provide clearance for the exhaust system. The exhaust system must be adequately isolated from the driver's compartment.*
- 3. If the exhaust system is routed in such a way that damage to it could cause hot exhaust to contact any part of the fuel system, there shall be a metallic heat shield protecting the fuel system components. It is recommended that this heat shield be located at least 3.0 inches away from the exhaust system, and there be at least 3.0 inches between the heat shield and the fuel system components.*

H. Electrical System- *The electrical system is free provided that:*

1. *Use any commercially available battery. Batteries may be relocated.*
2. *For the purpose of cost reduction, standard headlights, headlight operating ancillaries, and parking light assemblies may be removed and replaced with a plate of identical shape and size of the lens. Standard headlight assemblies may be replaced with aftermarket units of equal dimension. Vehicles with pop-up and/or hidden headlights may modify and/or remove the headlight assemblies as long as the headlight cover and any other external hardware are properly secured in the stock closed location.*
3. *Fog/driving lights, parking lights and associated attaching hardware may be removed. The resulting openings may be used to duct air, or may be filled/covered. No ducting may extend beyond the outer surface of the bodywork.*
4. *Each car must be fitted with at least one effective windshield wiper assembly, which must be in working order throughout the event. Wiper blades, arms and associated hardware may be substituted freely. Other windshield wiper assemblies may be removed.*
5. *Each car must have an effective defogging/demisting system that is capable of keeping the windshield clear during wet sessions. Anti-fog films meet this requirement.*

I. Drivetrain

1. *Alternate differential housings are permitted from the same model of vehicle. Differential may be open, locked, or of a limited-slip type. The internals of limited-slip type differentials may be modified to change the amount of slip limiting. Differentials with external, or electric, adjustability are prohibited.*
2. *Driveshaft and half-shafts may be aftermarket, but shall be the OEM-type and use the same types of materials as stock. Drive shafts may be replaced by one piece drive shafts, and conversely.*
3. *Alternate flywheels and clutches are permitted. Carbon flywheels and carbon clutches are not permitted. Flywheel diameter must be the same as the OEM flywheel. Any 7 inch or larger clutch is permitted. Clutch and pressure plate design is free.*
4. *Aftermarket sequential transmissions are permitted. Cars with aftermarket sequential shift transmissions shall utilize a 1:1 (or greater/overdriven) ratio in top gear. Transmission location must be OEM. Maximum bell housing length is 10 inches. Cars that don't use an aftermarket sequential transmission may decrease their competition weight by 100 lbs.*
5. *Transmissions and ratios are free. Forward gears are limited to six speeds.*

J. Suspension and Steering

1. *All suspension members must be made from ferrous and/or aluminum materials. Chromium plating of suspension members is prohibited.*
2. *Suspension springs are free. Coil-over units may be added to supplement or replace OEM springs. Attaching points may be reinforced. It is permitted to use threaded spring seats for adjustability.*
3. *Shock absorbers and struts are free with a maximum of 4 adjusters per damper. Driver adjustable systems and electronically controlled shocks are not permitted unless it is an OEM system running with OEM shocks and springs. If a reservoir/adjustment canister is used, only one may be used per shock. The shocks at each individual wheel may not be connected in any way. Adjustment canisters may not be within reach of the driver.*
4. *Anti-roll bars are free, and may be added, removed, or substituted. Driver adjustable anti-roll bars are not permitted. Adjustment controls for anti-roll bars may be located within the cockpit, but must be out of the reach from the driver's seat. Adjustments to anti-roll bars during practice, qualifying and race must be done in pit lane. End/drop links must use OEM mounting locations.*
5. *Spherical bearings are permitted on suspension components. Standard suspension bushings may be replaced with solid or spherical bushings. Alternate control arms permitted.*
6. *Any anti-roll bar(s) and rear axle traction bar(s), rear axle panhard rod and watts linkage can be added or substituted, provided their installation serves no other purpose. The mounts for these devices can be welded or bolted to the car. These devices and their mounts cannot be located in the trunk or driver/passenger compartment unless fitted as stock. Rear axle traction bar(s) used to control axle housing rotation must be solid bar or tube.*
7. *When a car's anti-roll bar also acts as a suspension locating device, the bar's attachment points and pivot points on the chassis and suspension control arms must remain in their stock locations.*
8. *Slotted plates may be added over original shock mounts on front and rear shock towers for camber/ caster adjustment. Front and rear strut tower braces are permitted. Camber, toe and caster is unrestricted.*

9.1.9.1. Touring (T1) NEW Category Specifications

9. *All steering components, with the exception of the steering wheel, column and tie-rods/toe-links, must be original equipment supplied by the manufacturer. These parts may be strengthened provided the original part can still be identified. Steering column locks may be removed or disabled. Steering column locks may be removed or disabled.*
10. *A collapsible steering column shall be used. Most recent OEM steering columns have at least 2 universal joints in them that allow the steering column to collapse on impact. This type of design (with at least 1 universal joint) must also be used in any steering column extension(s) that may be used to reach the driver's competition seating position.*
11. *Power steering may be modified in any of the following ways:*
 - a) *disconnected*
 - b) *an OEM manual steering rack for that model may be fitted*
 - c) *an electric power steering pump may be fitted*
 - d) *an OEM electric-assisted steering rack may be used.*
12. *Cars with live axles may decrease their competition weight by 50 lbs. It is permitted to camber a live axle or use a non-OEM option. The suspension configuration cannot be changed. Suspension pick up points cannot be changed beyond allowances elsewhere in the T1 category rules.*
13. *Unmodified OEM pick up points are mandatory*
14. *The spindle and/or outer joint on the a-arm and/or strut may be moved to correct bump steer caused by changing the vehicle ride height. These components are not limited to the 1.0 inch of movement that applies to the suspension pick-up points located on the chassis.*
15. *Non-coil over suspensions are permitted to convert to coil over systems.*
16. *Suspension links are free provided; They use standard ball joint, bushing, or spherical attachments.*

K. Brakes

1. *Brake lines may be relocated, and rubber lines may be replaced with stainless steel braided brake lines. Hand brake assemblies may be removed. Brake proportioning valves may be used provided that they are of the in line, pressure limiting type. Non-pressurized brake fluid lines and master cylinders need not be metal, metal shielded, or bulkheaded. Pressurized brake fluid lines must be metal, metal shielded, or bulkheaded.*
2. *Brake proportioning valves may be used provided that they are of the in line, pressure limiting type. Brake pad friction material is free.*
3. *Hand brake assemblies may be removed. Backing plates and dust shields may be modified, ventilated, or removed.*
4. *Brake duct inlets incorporated in the front spoiler as standard, or in light openings, other than headlights, may be used to duct air to the front brakes. Additionally, brake ducts may be fitted into the intermediate mounting surface of a permitted splitter.*
5. *Wheel fans are not permitted.*
6. *When any allowed alternate calipers are used, calipers must be mounted in the same location and orientation as the OEM calipers. OE caliper mounting tabs may be modified or removed to facilitate installation.*
7. *Alternative piston inserts are permitted.*
8. *Anti-Lock Braking Systems (ABS) are permitted. Performance alternative ABS systems or controllers (e.g. Bosch, Tevis) are permitted. It is permitted to relocate performance alternative ABS systems within the engine compartment.*
9. *Rotors 1 or 2 piece ferrous rotors permitted. Brake rotor sizes are allowed as follows-*
 - a) *OE brake diameter permitted with no penalty*
 - b) *Max brake disc size 380mm with no penalty*
 - c) *>380mm brake disc permitted with a 50lb weight penalty*
10. *Calipers- The standard production calipers may be used. Performance alternative calipers are permitted- Max 6 piston 2 pad front caliper may be used. Max 4 piston 2 pad rear.*
11. *Original equipment master cylinders and pedals may be replaced.*
12. *Power assisted braking systems are permitted.*
13. *The balance of braking forces between the two wheels on an axle shall be equal and non-adjustable.*

14. *The balance of braking forces between the front and rear axles may only be adjusted by the driver through:*
 - a) *Direct intervention on the position of the center of the joint, on the linkage lever of the hydraulic pumps of the front and rear circuits.*
 - b) *Direct intervention on a proportioning valve in which the intake pressure is adjusted through a pre-loaded spring.*
15. *Any brake ducts are permitted, but they must serve no other purpose. Fender liners maybe modified solely for routing and attachment of brake ducts. Duct intake openings must conform to "A-Bodywork", and may be created by the opening of 2 sections up to 14.5 square inches each in the front fascia. The stock headlamp location is not permitted for brake ducting. Two alternative duct openings may be created by the removal of the fog lights or 2 sections up to 14.5 square inches each of stock false grills originally located in the front fascia.*

L. Tires & Wheels

1. *Tires must conform to GCR section 9.3. Tires.*
2. *Wheels / Hubs- The standard wheels may be replaced with direct, bolt-on racing/aftermarket wheels under the following provisions:*
 - a) *Loose wheel spacers of any type are not recommended.*
 - b) *All cars must run the same size wheel on the same axle.*
 - c) *As viewed from above at the centerline of the wheel; the fender shall completely cover the "tread" portion of the tire. Only the tire sidewalls may be visible.*
 - d) *The wheel material is free, but they must be constructed of metallic material(s). No modifications (including grinding) are permitted on a vendor-supplied wheel.*
 - e) *Valve stems and caps are free.*
3. *Wheel Attachment*
 - a) *Center-locking type hubs and wheels may be used if vehicle is supplied with them from the manufacturer. If vehicle is not supplied with center-locking type wheels they may be used in conjunction with an adapter that bolts onto the OEM, or approved, hub.*
 - b) *If a single wheel nut is used, a safety spring must be in place on the nut whenever the car is running and must be replaced after each wheel change. These springs must be painted Day-Glo red or orange. Alternatively, another method of retaining the wheels may be used provided it has been approved by FIA.*
4. *Rear wheels may not exceed 19.0 inches in diameter and 13.0 inches in width. Front wheels may not exceed 19.0 inches in diameter and 11.0 inches in width.*

M. Labeling-

1. *These rules include many options that affect a vehicle's competition weight.*
 - a) *The competition weight must be shown on both sides of the car. The competition weight is the sum of the spec line weight and all weight modifiers, penalties and allowances. In the event that a competitor increased their weight in accordance with the tire size option (section 9.1.9.1.L.1) that weight must be presented.*
 - b) *In order to inform competitors, spectators and tech officials, competitor's are required to declare their spec line number. Touring 1 spec lines have a column called "spec line number". This number is to be presented legibly, behind the driver's window in a font greater than .75 inches tall. The formats "Spec Line #XXXX" and "SL# XXXX" are recommended.*

N. Approved Cars and Engines

The following car and engine combinations are approved in T1. Send a request to the Club Racing Board <http://www.clubracingboard.com/> to add additional cars or engine variants.

<i>T1 NEW</i>	<i>Spec Line Number</i>	<i>Maximum Displ.</i>	<i>Min. Weight</i>	<i>Required Restrictor</i>	<i>Engine Notes</i>	<i>Chassis Notes</i>
<i>Acura NSX</i>	<i>1000 *Spec line Expires 12/23*</i>	<i>3000</i>	<i>3000</i>		<i>Supercharger permitted. Zero Force Body Kit by Kawagen Route permitted.</i>	
<i>Acura NSX Turbo</i>	<i>1010 *Spec line Expires 12/23*</i>	<i>3500</i>	<i>3100</i>	<i>45mm</i>		
<i>Acura NSX Turbo World Challenge</i>	<i>1020 *Spec line Expires 12/23*</i>	<i>3500</i>	<i>3100</i>	<i>44mm</i>	<i>Driving ambitions turbo kit- Part #DA-1000. Comp turbo #ct-4372.</i>	<i>Must conform to World-Challenge VTS Dated 8.19.2009 Version Number: 3 Version Date: 6.15.2000 and World-Challenge Appendix A 2010 that limits tire and wheel size: Max Tire Size: 245/40 F, 295/30 R. Wheels Max Size: 17x9 Front, 18x11 Rear. No other touring modifications or allowances permitted beyond the VTS and Appendix A allowances and notes in this spec line notes. DOT tires required as per GCR section 9.3.</i>
<i>Aston Martin Vantage</i>	<i>1030</i>	<i>6000</i>	<i>3300</i>			
<i>Audi TTRS (GTS 2011 Spec)</i>	<i>1040 *Spec line Expires 12/23*</i>	<i>2500</i>	<i>3150</i>			<i>Must conform to July 24th, 2015 revision 7 GTS rules. No other touring modifications or allowances permitted beyond the noted GTS rules allowances. DOT tires required as per GCR section 9.3.</i>
<i>BMW E46, M3 E46, E36, M3-E36, Z3</i>	<i>1050</i>	<i>3250</i>	<i>2700</i>		<i>The 3.4L (87.0 bore x 93.0 stroke) engine is permitted at 2750 lbs. Lang Racing Development S54-95MM-Stroker-CRK is permitted at 2850 lbs. The M5 5.0L V8 is permitted at 3500 lbs. 4.0L V8 permitted at 3200 lbs.</i>	<i>Pennon Fender flares allowed. Flossman body kit is permitted with 300lb weight penalty. The headlights can be modified to allow air to pass into the engine induction system.</i>
<i>BMW E46 M3</i>	<i>1060</i>	<i>3200</i>	<i>2850</i>		<i>Dinan supercharger kit part #D860-3101C / With R865-3120 pulley required.</i>	<i>The headlights can be modified to allow air to pass into the engine induction system. Carbon roof allowed. CSL style carbon fiber rear trunk lid allowed +75lbs.</i>
	<i>1070</i>	<i>4000</i>	<i>3200</i>			
	<i>1080</i>	<i>5000 (V8 only)</i>	<i>3500</i>			
<i>BMW M3 E92 (08-13)</i>	<i>1090</i>	<i>3999</i>	<i>3300</i>	<i>(2) X 40mm diameter hole inlet restrictor plate required</i>		<i>Factory DCT transmission allowed. Carbon Dash allowed with 25 lb penalty.</i>
<i>BMW M3 E92 (08-13)</i>	<i>1100</i>	<i>3999</i>	<i>3150</i>		<i>Must use unmodified: OEM intake, OEM airbox and OEM plenum manifold</i>	<i>Factory DCT transmission allowed. Carbon Dash allowed with 25 lb penalty.</i>
<i>BMW M235i R</i>	<i>1110</i>	<i>2979</i>	<i>3275</i>			
<i>Chevrolet Camaro Gen 6 (16-23) Including SS, SS 1LE</i>	<i>1120</i>	<i>LT1 Gen5 - OEM- 6160</i>	<i>3400</i>	<i>70mm - Flat Plate</i>	<i>VVT/DOD may be removed by using CAM with max lift of 0.580" and non VVT Timing gear</i>	<i>Any option of OEM Aero parts may be used as basis of aero measurements. ZL1 1LE Hood, Front Bumper, Fenders, Splitter Allowed</i>

<i>T1 NEW</i>	<i>Spec Line Number</i>	<i>Maximum Displ.</i>	<i>Min. Weight</i>	<i>Required Restrictor</i>	<i>Engine Notes</i>	<i>Chassis Notes</i>
<i>Chevrolet Camaro Gen 5 (10-15) Including SS, Z28</i>	1130	LS3 OEM-6160	3550		<i>May resleeve any LS block to LS3 bore/stroke for Engine replacement.</i>	<i>Any option of OEM Aero parts may be used as basis of aero measurements.</i>
	1135	LS3- 6160	3550	70mm - Flat Plate	<i>May resleeve any LS block to LS3 bore/stroke for Engine replacement.</i>	
<i>Chevrolet Corvette C5 ('97-'04) – Includes: Z06, Coupe, Convertible</i>	1132	LS1, LS6	3200	70mm - Flat Plate	<i>May resleeve any LS block to LS3 bore/stroke for Engine replacement.</i>	<i>Any option of OEM Bodywork parts may be used as basis for aero measurements. Rear spoiler max 5" Above bumper allowed. + 50lbs</i>
	1134	LS3- 6160	3400	61mm - Flat Plate	<i>May resleeve any LS block to LS3 bore/stroke for Engine replacement.</i>	
	1136	LS1, LS6 OEM	3100		<i>GM Hot Cam permitted. May resleeve any LS block to LS3 bore/stroke for Engine replacement.</i>	
	1138	LS3 - OEM-6160	3300	75mm - Flat Plate	<i>May resleeve any LS block to LS3 bore/stroke for Engine replacement.</i>	
<i>Chevrolet Corvette C6 (05-13) - Includes Z51, GrandSport, Z06, Z06 Carbon</i>	1140	LS2 - 6000	3300	72mm - Flat Plate		<i>Steel or Aluminum Frame may be used with any engine. Any option of OEM Bodywork parts may be used as basis for aero measurements. Rear spoiler max 5" Above bumper allowed. + 50lbs</i>
	1150	LS3- 6160	3400	61mm - Flat Plate	<i>May resleeve any LS block to LS3 bore/stroke for Engine replacement.</i>	
	1160	LS7- 7008	3450	53mm - Flat Plate	<i>May resleeve any LS block to LS3 bore/stroke for Engine replacement.</i>	
	1170	LS2 - OEM 6000	3200		<i>May resleeve any LS block to LS3 bore/stroke for Engine replacement.</i>	
	1180	LS3 - OEM-6160	3300	75mm - Flat Plate	<i>May resleeve any LS block to LS3 bore/stroke for Engine replacement.</i>	
	1190	LS7- OEM-7008	3450	70mm - Flat Plate	<i>May resleeve any LS block to LS7 bore/stroke for Engine replacement</i>	
<i>Chevrolet Corvette C7 (14 - 19) - Includes Z51, GrandSport</i>	1200	LT1 Gen5 - OEM- 6160	3450	72mm - Flat Plate	<i>VVT/DOD may be removed by using CAM with max lift of 0.580" and non VVT Timing gear</i>	<i>Any option of OEM Bodywork parts may be used as basis of aero measurements. Allowed Z06 Center Spoiler "Fence"</i>
<i>Chevrolet Corvette C8 (20- 23) - Includes Z51</i>	1210	LT2 - Gen5 OEM- 6160	3600	70mm - Flat Plate	<i>VVT/DOD may be removed by using CAM with max lift of 0.580" and non VVT Timing gear</i>	<i>Any option of OEM Bodywork parts may be used as basis of aero measurements.</i>
<i>"Dodge Viper ACR / SRT RT-10"</i>	1350 *Spec line Expires 12/23*	8400 OEM	3550	(2) 55mm flat plate	<i>OEM valve lift and compression. Cylinder heads must be as delivered from factory.</i>	<i>"OEM fuel tank may be used. A throttle body spacer, maximum of 1.50 inches thick, to accommodate the restrictor that meets the flat plate restrictor definition is allowed."</i>
<i>Dodge Viper ACR/ACR-X</i>	1360 *Spec line Expires 12/23*	7990	3400	50mm flat plate		<i>"OEM fuel tank may be used. A throttle body spacer, maximum of 1.50 inches thick, to accommodate the restrictor that meets the flat plate restrictor definition is allowed."</i>
<i>Dodge Viper ACR/ACR-X</i>	1370 *Spec line Expires 12/23*	8300 OEM	3500	(2) 47mm flat plates	<i>OEM valve lift and compression. Cylinder heads must be as delivered from factory.</i>	<i>"OEM fuel tank may be used. A throttle body spacer, maximum of 1.50 inches thick, to accommodate the restrictor that meets the flat plate restrictor definition is allowed. Stock OEM engine, valve train, and intake system must meet stock, shop manual specifications. Hybrid update including Mopar Performance Part # P5156137 and 8.4L mechanical throttle body allowed."</i>

T1 NEW	Spec Line Number	Maximum Displ.	Min. Weight	Required Restrictor	Engine Notes	Chassis Notes
Dodge Viper ACR/ACR-X	1380	8400	3650	(2) 33mm flat plates		"OEM fuel tank may be used. A throttle body spacer, maximum of 1.50 inches thick, to accommodate the restrictor that meets the flat plate restrictor definition is allowed. Intake and Throttle Body from Mopar Performance Part # P5156137 allowed using (2) 33mm flat plate restrictors."
	1390	"8400 OEM"	3600	(2) 60mm flat plate	"OEM valve lift and compression. Cylinder heads must be as delivered from factory."	"OEM fuel tank may be used. A throttle body spacer, maximum of 1.50 inches thick, to accommodate the restrictor that meets the flat plate restrictor definition is allowed. Stock ACRx 8.4 engine, engine controller; valve train, and intake system must meet ACRx stock shop manual specifications."
Ferrari 360	1400 *Spec line Expires 12/23*	3600	3000	65mm flat plate		
Ferrari 430	1410 *Spec line Expires 12/23*	4310	3400	52mm flat plate		Kessel 430 GT3 front fenders, hood and bumper permitted; if installed, single radiator is permitted. Must conform to 9.1.4.F.7. Non-OEM rear wing / splitter reduce restrictor by 5 mm.
Ferrari 430 Challenge	1420 *Spec line Expires 12/23	4310	3450	52mm flat plate	"Must be prepared to the 2006 Ferrari Challenge engine and transmission specifications"	As homologated. DOT tires per 9.1.4.P.1; weight as specified; side windows must be removed; OEM carbon brakes or the Ferrari steel brakes from the 360 Challenge car (F 355 x 32 vented disc, R 330 x 18 vented disc) are permitted; If 18 inch "360" brakes are used, 18 inch wheels are permitted; 19 inch Ferrari Challenge wheels as delivered from factory permitted. Non-OEM rear wing / splitter reduce restrictor by 5mm. No other touring modifications or allowances permitted.
Ford Mustang S197 (05-14) Includes GT, Boss302, 302S, 302R, FR500C, FR500S	1430	Coyote, Boss 302 (11-17) 4957	3475	65mm - Flat Plate	Any Coyote 5.0 Block may be used for rebuild/replace	Any parts or variations from 302S, 302R, FR500C, FR500S Programs may be used. Boss302S Rear wing that is above roof line may be used with 302S Endplates. Adjustable cambered axle allowed using OEM 8.8 Differential. Aftermarket K members permitted. Firewall must not be relocated for engine installation.
	1440	Cammer-5000	3350		Used in Grand-Am GS from 2005-2010	
	1450	4.6 - 3 Valve	3300		Ford Racing Inake Manifold Allowed	
	1460	Coyote, Boss 302 - OEM- 4957	3425		Boss Intake Manifold Permitted. Any Coyote 5.0 Block may be used for rebuild/replace	
	1465	5800	3120		Windsor - Pushrod	
Ford Mustang S550 (15-22) Includes GT, Performance Pack 1/2, Bullet, Mach-1, GT350	1470	Coyote(15-17)-OEM- 4957	3425		Any Coyote 5.0 Block may be used for rebuild/replace	
	1480	Coyote Gen 3(18-22) - OEM- 5038	3500	80mm - flat plate		
	1490	Voodoo (16-21) - OEM- 5160	3550	75mm - flat plate	Cross Plane Crankshaft permitted. Must meet OEM compression and stroke requirements.	
	1500	Coyote Gen 4 ('23-) - OEM- 5038	3550	2 x 50mm - flat plate		
Ford Mustang S650 (23-) Including GT, Darkhorse	1510	5038	3350	2 x 50mm - flat plate		Not eligible at this time. Pending further Specs.

<i>T1 NEW</i>	<i>Spec Line Number</i>	<i>Maximum Displ.</i>	<i>Min. Weight</i>	<i>Required Restrictor</i>	<i>Engine Notes</i>	<i>Chassis Notes</i>
<i>Mazda MX-5 (06-15)</i>	<i>1520 *Spec line Expires 12/23*</i>	<i>2300</i>	<i>2400</i>	<i>37mm TIR</i>		
	<i>1530 *Spec line Expires 12/23*</i>	<i>2300</i>	<i>2700</i>			
<i>Mazda RX-7</i>	<i>1540 *Spec line Expires 12/23*</i>	<i>3982</i>	<i>3400</i>	<i>44mm TIR</i>	<i>13B Rotary</i>	<i>A single Garrett Turbo #3076 permitted.</i>
<i>Nissan GTR</i>	<i>1550 *Spec line Expires 12/23*</i>	<i>3800</i>	<i>3520</i>	<i>HP controlled with required program</i>	<i>SRO Power level 2 2019 map required.</i>	<i>The car must be raced as FIA homologated. Must participate at 3 Super Tour races to establish Runoffs eligibility. Visual verification of "SRO power level 2" on dashboard required. Must conform to DOT tire rule.</i>
<i>Nissan 350/370Z</i>	<i>1560 *Spec line Expires 12/23*</i>	<i>3700</i>	<i>3400</i>		<i>Must use OEM GTR twin turbochargers.</i>	
<i>Nissan 370Z Supercharged</i>	<i>1570 *Spec line Expires 12/23*</i>	<i>3500</i>	<i>2450</i>			<i>Stilen supercharger kit 407770T allowed. Supercharger pulley diameter: 80mm +/- 3mm OEM crank pulley diameter: 146mm +/- 3mm</i>
<i>Nissan 350Z</i>	<i>1580 *Spec line Expires 12/23*</i>	<i>3700</i>	<i>2600</i>			
<i>Nissan 350Z/370Z</i>	<i>1590 *Spec line Expires 12/23*</i>	<i>3400</i>	<i>2750</i>		<i>12.5:1 maximum compression allowed.</i>	
<i>Porsche Cayman/S/GTS (05-15)</i>	<i>1600 *Spec line Expires 12/23*</i>	<i>3600</i>	<i>2800</i>			
	<i>1610 *Spec line Expires 12/23*</i>	<i>3800</i>	<i>2850</i>			
	<i>1620 *Spec line Expires 12/23*</i>	<i>3800</i>	<i>2900</i>		<i>Must meet OEM specifications.</i>	
<i>Porsche Cayman GTS (2011)</i>	<i>1630 *Spec line Expires 12/23*</i>	<i>5400</i>	<i>3200</i>			<i>Must conform to 7/15/2015 version 15 VTS. TC aftermarket ABS controller allowed. PDK Permitted +100lbs. No other touring modifications or allowances permitted beyond the noted VTS and these spec line allowances.</i>
<i>Porsche 928 S4 Porsche 928 GTS-R</i>	<i>1640 *Spec line Expires 12/23*</i>	<i>3600</i>	<i>3000</i>			<i>Must conform to VTS Porsche 928, Rev 1, 3/4/2019. Competitor must have the VTS in their possession. Must use DOT tires. No other allowances beyond those described in the VTS allowed.</i>
<i>Porsche 996</i>	<i>1650 *Spec line Expires 12/23*</i>	<i>3600</i>	<i>3300</i>			<i>GT3 Cup, GT3 RSR, GT3 RS, GT America not allowed. 996 Cup Replica Rear deck lid allowed.</i>

GCR - 647

9.1.9.1.A T1 NEW Spec Lines

<i>T1 NEW</i>	<i>Spec Line Number</i>	<i>Maximum Displ.</i>	<i>Min. Weight</i>	<i>Required Restrictor</i>	<i>Engine Notes</i>	<i>Chassis Notes</i>
<i>Porsche 996 TT OEM</i>	<i>1660 *Spec line Expires 12/23*</i>	<i>3600</i>	<i>3000</i>	<i>(2) 31mm TIR</i>	<i>Alternate turbo Evolution Motorsports per- mitted, part #TBD</i>	
<i>Porsche 996 GT3 Cup (98-04)</i>	<i>1670</i>	<i>3600</i>	<i>3000</i>			<i>Cars must be prepared in accordance with the appropriate model/ year Porsche factory 911 GT3 Cup parts catalog/service manual. Cars may not be altered in any way except as authorized below. Drivers must have the correct year manuals as they apply to their specific car in their possession. Safety, drivers comfort, driver control and instrumentation items may be modified per the GCR. Original factory installed Matter/IMV roll cages are allowed. The stock unmodified fuel tank is allowed. Side door windows must be removed. All other SCCA safety standards apply. The following additional modifications are authorized: Alternate hood provided it is a facsimile of the stock part. Any wheel, including 5 bolt (and the required 5 bolt modification to the hubs) provided they do not exceed 18x9 F and 18x11 R. DOT Tires must be used. Battery size and location is unrestricted. Shocks are unrestricted but they shall be installed in the stock locations with the stock, unmodified pick up points. Springs are free. Any suspension settings are allowed provided they are achieved without modifications. Machining of suspension components and pick up points to achieve caster/ camber/toe is not allowed. Lubricants, consumable fluids (brake fluid, coolant etc.) and oil filters are open free. Modifications listed in Grand Am, IMSA Cup, World Challenge or any other rules, except those listed above, are specifically not allowed. No updating or backdating permitted between 996 and 997 cars. 996 required gear ratios: Crown wheel and pinion 8/32; 1st gear 13/41, 2nd gear 20/40, 3rd gear 25/39, 4th gear 29/36 or 26/34, 5th gear 32/33 or 32/35, 6th gear 35/30 or 34/31. No other touring modifications or allowances permitted except as noted in this spec line.</i>
<i>Porsche 997</i>	<i>1680 *Spec line Expires 12/23*</i>	<i>3800</i>	<i>3200</i>		<i>"GT3 Cup, GT3 RSR, GT3 RS, GT America not allowed."</i>	
<i>Porsche 997</i>	<i>1690</i>	<i>2457</i>	<i>3000</i>		<i>GT3 Cup not allowed.</i>	<i>GT3 Cup not allowed. OEM PDK allowed.</i>
<i>Subaru WRX, WRX STI (05-2020)</i>	<i>1700 *Spec line Expires 12/23*</i>	<i>2500</i>	<i>3000</i>	<i>46 mm TIR</i>	<i>Alternate Turbo Permitted</i>	
<i>Toyota Celica All-Trac</i>	<i>1710 *Spec line Expires 12/23*</i>	<i>2000</i>	<i>2900</i>	<i>46 mm TIR</i>	<i>Alternate Turbo permitted.</i>	
	<i>1710 *Spec line Expires 12/23*</i>	<i>2300</i>	<i>2900</i>	<i>46 mm TIR</i>	<i>Alternate Turbo permitted.</i>	
<i>Toyota Supra MK4</i>	<i>1720 *Spec line Expires 12/23*</i>	<i>2997</i>	<i>3000</i>		<i>Unrestricted OEM twin turbo chargers per- mitted or any single turbo permitted with a 43mm turbo inlet restrictor.</i>	<i>Shine Auto Project: Front bumper (p/n: JZA80-FB-R), Front split-ter (p/n: JZA80-FD-R), Sideskirts (p/n: JZA80-SS-R), Front Fend-ers (p/n: JZA80-FFND-R), Rear fenders (p/n: JZA80-RFND-R) are permitted.</i>

Touring 1 Rules for GT4 and Homologated Cars

Touring 1 is comprised; 1) Race modified USDM cars (discussed above), 2) GT4 cars originally built for pro racing, and 3) Homologated cars which were built to conform to a different series or spec sheet. These are the category rules for Touring 1 GT4, homologated, and purpose built cars. Cars in this category include, but are not limited to SRO GT4, and Spec Corvette. To be eligible to compete in Touring 1, the car must conform to these category rules and the following spec lines. Each spec line below includes a column named "must conform to". At all events, it is the driver's responsibility to provide the applicable homologation documents. Factory built race cars must conform to published specifications.

Q. Eligible cars-

- 1. GT4 and Homologated cars must be based off of USDM models. Only cars listed in the spec lines below are permitted to compete in Touring 1. Lightweight and Non-USDM models (ie. KTM X-Bow or Ginetta G56) will not be classed.*
- 2. New classifications will be considered pending a complete request through the SCCA's letter system. Newly created spec lines will be required to complete at least 3 Super Tour weekends before the spec line is eligible for Runoffs competition. This ensures reasonable data collection and comparison prior to qualifying to enter the national championship race.*

R. Approved modifications to homologated cars- *All cars must conform to the rules set defined in their spec line unless otherwise noted below.*

- 1. Cars built with front windows are permitted, but not required, to remove them.*
- 2. Safety equipment: Seats, Belts, Nets, and steering wheels may be replaced with SCCA compliant alternatives. All cars must meet SCCA cage and safety standards.*

S. Fuel- *Cars must use fuel that conforms to section 9.3.25 or to the Runoffs Supplemental regulations.*

T. Tires- *Tires must conform to GCR section 9.3.45 Tires and also must conform to spec line requirements. DOT approved tires are required.*

U. Performance adjustments- *The spec lines include specific requirements to achieve parity with other Touring 1 cars. These may include specific ECU programming, inlet restrictors, weight, etc. Notes in the spec lines supersede rules set forth in these category rules. Each spec line defines which rules set it must conform to.*

V. Labeling-

- 1. These rules may include many options that affect a vehicle's competition weight.*
 - a) The competition weight must be shown on both sides of the car. The competition weight is the sum of the spec line weight and all weight modifiers, penalties and allowances.*
 - b) In order to inform competitors, spectators and tech officials, competitors are required to declare their spec line number. Touring 1 spec lines have a column called "spec line number". This number is to be presented legibly, behind the driver's window in a font greater than .75 inches tall. The formats "Spec Line #XXXX" and "SL# XXXX" are recommended.*

T1 GT4	<i>Spec Line Number</i>	<i>Tire Size (max).</i>	<i>Min. Weight with driver (LBS)</i>	<i>Must Conform To</i>	<i>Performance Control</i>	<i>Chassis Notes</i>
<i>Aston Martin Vantage AMR GT4</i>	<i>4010</i>	<i>315</i>	<i>3575</i>	<i>SRO GT4 2022 Rules</i>	<i>SRO power level ECU Map 3</i>	<i>**NOT YET ELLIGIBLE FOR RUNOFFS COMPETITION (Q.2)**</i>
<i>Audi R8 GT4</i>	<i>4020</i>	<i>315</i>	<i>3550</i>	<i>SRO GT4 2022 Rules</i>	<i>Power level 2020, 44mm SRO compliant restrictor</i>	<i>**NOT YET ELLIGIBLE FOR RUNOFFS COMPETITION (Q.2)**</i>
<i>BMW M4 GT4</i>	<i>4050</i>	<i>315</i>	<i>3500</i>	<i>SRO GT4 2022 Rules</i>	<i>Gold power stick</i>	<i>**NOT YET ELLIGIBLE FOR RUNOFFS COMPETITION (Q.2)**</i>
<i>Ford Mustang GT4</i>	<i>4040</i>	<i>315</i>	<i>3550</i>	<i>SRO GT4 2022 Rules</i>	<i>63mm SRO compliant restrictor</i>	<i>**NOT YET ELLIGIBLE FOR RUNOFFS COMPETITION (Q.2)**</i>
<i>Maclaren 570S GT4</i>	<i>4050</i>	<i>(f)285 (r)315</i>	<i>3450</i>	<i>SRO GT4 2022 Rules</i>	<i>SRO 2019 BOP ECU map</i>	<i>**NOT YET ELLIGIBLE FOR RUNOFFS COMPETITION (Q.2)**</i>
<i>Mercedes AMG GT4</i>	<i>4060</i>	<i>(f) 275 (r) 315</i>	<i>3450</i>	<i>SRO GT4 2022 Rules</i>	<i>SRO 2019 Power level 2</i>	<i>**NOT YET ELLIGIBLE FOR RUNOFFS COMPETITION (Q.2)**</i>
<i>Porsche 718 Cayman GT4 CS MR</i>	<i>4070</i>	<i>(f) 275 (r) 315</i>	<i>3200</i>	<i>SRO GT4 2022 Rules</i>	<i>SRO ECU map 2020</i>	<i>**NOT YET ELLIGIBLE FOR RUNOFFS COMPETITION (Q.2)**</i>
<i>Porsche 718 GT4 RS Club-sport</i>	<i>4080</i>	<i>(f) 275 (r) 315</i>	<i>3450</i>	<i>SRO GT4 2022 Rules</i>	<i>Restrictor 54mm</i>	<i>**NOT YET ELLIGIBLE FOR RUNOFFS COMPETITION (Q.2)**</i>
<i>Toyota Supra GR GT4</i>	<i>4090</i>	<i>315</i>	<i>3350</i>	<i>SRO GT4 2022 Rules</i>	<i>Blue power stick</i>	<i>**NOT YET ELLIGIBLE FOR RUNOFFS COMPETITION (Q.2)**</i>

Touring 1 - Homologated Cars

<i>Make & Model</i>	<i>Spec Line Number</i>	<i>Tire Size (max)</i>	<i>Min. Weight with driver (LBS)</i>	<i>Must Conform To</i>	<i>Performance Control</i>	<i>Chassis Notes</i>
<i>BMW M2 ClubSport Racing</i>	<i>4100</i>	<i>315</i>	<i>3400</i>	<i>Must meet factory specs</i>	<i>BMW 450 hp black power stick.</i>	<i>Permitted to run with windows up.</i>
<i>Chevrolet Spec Corvette</i>	<i>4110</i>	<i>Must comply with Spec Corvette tire rules</i>	<i>3200</i>	<i>Cars must comply with all Spec Corvette rules dated 3-1-21 including fuel.</i>		<i>No tire treatment or rubber softeners are permitted.</i>
<i>Ford Mustang FP350S 2017</i>	<i>4120</i>	<i>315</i>	<i>3500 lb</i>	<i>Must meet factory specs</i>	<i>75mm flat plate</i>	<i>VIN not required. Additional permitted allow-ances: DOT tires re-quired. Other consum-ables are open, alternate driveshaft permitted, aftermarket wheels and fuel cell per Touring cat-egory rules permitted. Shocks conforming to T1 rules permitted. Alternative rear toe links permitted.</i>

TIRE RACK[®] .com

FAST FREE SHIPPING on All Orders Over \$50*

Heat Cycling is Available

Tires Arrive Ready
for Competition!



LIGHTWEIGHT WHEELS, BRAKES AND SUSPENSION



MUCH MORE TO SEE



These specifications are presented as an adjunct to your Factory Shop Manual. They are not meant to supersede the information that is in your manual that legitimately applies to your make, model, and year of car, with the exception of the following items. TIRE SIZES, RIM WIDTHS, SPRINGS, SWAY BAR(S), AND PERFORMANCE EQUIPMENT. In the case of the foregoing exceptions, the TCS will have priority. Voids or mistakes that may occur in the TCS do not allow you to change your vehicle to conform to the TCS.

These specifications reflect the best information available at the time of publication. Any error found in this edition will be updated when reliable specifications are available from the factory/factory distributor or other sources recognized by SCCA, Inc.

These Specifications are part of the SCCA General Competition Rules (GCR), and all classified automobiles shall conform with the requirements of GCR Section 9 unless this Category is specifically exempted from said requirements.

Touring car eligibility: Cars are eligible for the class they are listed with a specification line and with the specific allowances permitted. In addition T2-T5 cars may race one class up in touring classes above their specification line class as long as they are a legal T2-T5 car and conform to their specification line allowances as classified. *T5 is a Regional only class.*

Note-Model year cars 2018 or later may request a spec line adjustment which permits use of a non-oem ECU with a 75# weight addition.

A. Purpose

Touring Category Classes are intended to provide the Membership with the opportunity to compete in commonly-available, recently-produced automobiles in as near the legal, street-driven form of those automobiles as is practically and safely possible under racing circumstances.

B. Intent

Touring Category automobiles shall, at all times, be in compliance with the specifications contained within their factory Shop/Service Manual(s) except as modified by these rules. Factory Shop/Service Manuals may come in the form of printed material, microfiche, CDs, DVDs and/or Internet access to manufacturer sponsored web-based databases. It is the responsibility of the competitor to provide the electronic device capable of accessing the data for compliance verification.

1. The competitiveness of any car in any Class shall not be guaranteed, nor shall the continued recognition of any car in any Class. Eligibility of cars may be discontinued at any time and for any reason, other than that of competitive stature.

C. Specifications

The SCCA shall publish Touring Category Specifications (TCS), containing the basic officially recognized specifications for each car eligible to compete in the Category during the calendar year.

1. To supplement those Specifications, competitors in the Touring Category shall be required to have in their possession a factory Shop/Service manual or its equivalent (See TCS section 9.1.10.B) for the specific make, model and year of the automobile entered. This manual or its equivalent will assist in determining the originality and configuration of the automobile, and shall be presented at Technical Inspection for every event and when otherwise so officially requested. If the factory Shop/Service manual is not available, then the competitor shall have a copy of the official SCCA Vehicle Technical Sheet (VTS) with them at every event and shall present it for reference when officially requested.
2. The proof of legality or illegality shall rest upon the protestor and/or protestee.
3. The Club Racing Board may classify any particular model of a car, and may permit specific factory options for that car. Cars classified shall have been approved by the ARB, EPA, and DOT for sale in the United States, and shall be models intended to be available to the general public for purchase. Such options shall be listed on the Specification Line for that vehicle. No unlisted models or factory options are eligible. If no specific model or options are listed on said line, the classified car shall be the base model with no options. Converting a car delivered with an automatic transmission to a manual transmission is allowed as long as all components which differ, including, but not limited to, radiator, springs, engine management systems, final drive ratio, etc., are converted to manual transmission specification.
 - a. Only those cars listed each year are eligible to compete. Additions and/or deletions of automobiles shall be at the discretion of the SCCA. Competitiveness of cars is not guaranteed.
 - b. "Special Performance" specifications from the manufacturer which go beyond those listed in the Touring Specifications book will not be considered valid. Any manufacturer determined to be supplying false specifications to competitors or to the SCCA may be advised that said specifications may be withdrawn or the eligibility of the car(s) involved shall be terminated. The Club Racing Board is authorized to implement these terminations on an immediate basis without the approval of the Board of Directors.
 - c. In the case of service circulars, recalls, etc., the burden of proof of validity shall be upon the

competitor.

4. To maintain the stock basis of Touring, updating and/or backdating of components is only permitted within cars of the same make and model as listed on a single Touring Specification Line. Interchanging of parts between engines of varying displacements is prohibited.
 - a. The Club may permit substitution/replacement of certain components or modification of some assemblies on Touring Category automobiles. To assist in equating competition potential, not all automobiles may be permitted some or all of these allowed substitutions and/or modifications. Any such permissions shall be listed on the Specification line for each vehicle. Where a kit or option is permitted on a specification line, all of the listed parts must be used.
 - b. Spec lines may include modifications that are "permitted" or "allowed". This means that they are permitted as alternatives to the allowances written into the category rules. For example "Koni shock #xxxxxxx allowed" implies that you could use the Koni option or any option that complies with the category rules.
5. In order to equate competition potential, the Club will specify a competition weight for the vehicle.
6. When alternate parts are approved for competitor use, the requesting party must first provide proof that sufficient quantities of the parts are readily available through commercial channels. The kit must be submitted to SCCA Road Racing Technical Services for inspection, and the kit may be returned to the sender.

D. Modifications (Configuration)

The following items represent the only modifications and safety items permitted and/or required on Touring Category automobiles. No permitted component or authorized modification shall additionally perform a prohibited function.

1. Engine

a. Component Modification

1. Overhaul procedures which in the slightest way could increase performance beyond factory specifications shall not be utilized, e.g. porting/polishing, etc.
2. Blueprinting and balancing is allowed.
3. No engine component(s) shall be modified in any manner that is not specifically permitted or authorized by the Factory Service Manual or legitimate Factory Technical Bulletins.
4. "Special Performance" specifications from the manufacturer which go beyond those listed in the TCS book shall not be considered valid.

b. Induction System

1. Air filter(s) elements (only) may be substituted. Unless listed on individual spec line.

c. Fuel System

1. All fuel system components, settings, and specifications shall be as specified by the manufacturer. Fuel filters may be substituted with other fuel filters of equivalent OEM specifications.
2. Only the fuel type specified by the Owner's and/or Factory Service Manual may be used. Refer to GCR Section 9.3 Fuel, for permitted fuel specifications.
3. The stock fuel tank may be replaced with a fuel cell that is designed to mount in the OEM fuel tank location or is specifically designed to mount in the spare tire well provided that it is not necessary to modify any bodywork to accomplish the installation other than for the purposes of fastening the cell securely in place.
4. For cars that have OEM saddle bag fuel tanks, a single auxiliary aftermarket fuel transfer pump is permitted if the only function this transfer pump performs is to transfer fuel to the OEM pump.

d. Camshaft and Valve Gear

1. All valve sizes, seat dimensions, and angles, etc., shall be in conformance with those specifications and procedures outlined in the Factory Service manual.

e. Block

1. Any overbore up to .020" permitted T2-T5 with +30 lbs. penalty. Oversize OEM equivalent pistons are required. This allowance does not apply to any car adhering to spec rules.
2. The production engine block/crankcase may be substituted with another OE engine block regardless of generation and/or date of manufacture. The replacement engine block must be of the same material, and have the same, bore, stroke, and deck height as the block supplied in the car of the specific spec line. Aftermarket blocks are prohibited.

f. Oiling System

1. Engine oil may be substituted with other oil of equivalent OEM specifications. Oil additives are unrestricted.

9.1.9.2. Touring (T2-T5) Category Specifications

2. Engine oil filter may be substituted with any unit meeting OEM specifications.
3. An oil catch can is permitted.
4. Any oil cooler(s) is permitted.
5. Accusump systems and related hoses and brackets are permitted in all Touring category cars.
6. The oil pan and oil pickup may be baffled, modified, or replaced. Using safety wire or a similar method to secure the drainplug is allowed and encouraged. Relocating the oil filter within the engine bay is permitted.

g. Ignition/Starter/Electrical System

1. Spark plugs may be substituted.
2. The use of resistor or non-resistor-type plugs is permitted.
3. Batteries may be replaced with those of an alternate manufacturer, provided they are of similar amp-hour capacity, size and within 10% of OEM weight.

h. Exhaust System

1. Exhaust systems after the exhaust header manifold are free. If the catalytic converter is part of the stock exhaust header, it is permitted to modify the stock header only to replace the catalytic converter with a tube of the same diameter inlet. Removal of secondary air injection (air/smog pump) components is allowed.
 - a. The system exits from beneath the body in the same approximate location(s) as the original system. When a factory (OEM) single exhaust system is cosmetically split into dual outlets, it is permitted to continue as a single system provided it exits in approximately the same location as one of the originals.
 - b. The system meets all appropriate event-specific sound level requirements.

i. Other Engine Components

1. Fluid hoses, their appropriate clamps, and belts (fan, alternator, etc.) may be substituted. Related clamps and hardware are unrestricted.
2. The engine management computer or ECU may be altered, but not replaced. All modifications shall be done within the original housing. The car may meet federal emission standards, but shall provide OBD II compliant data to the data link connector.
3. Cosmetic engine covers made of plastic may be removed.
4. Any power steering cooler(s) is permitted.
5. T2-T5 only: Any clutch disc and pressure plate of OEM diameter may be used, provided that they shall be bolted directly to an unmodified stock flywheel and is no lighter than 95% of the factory OEM clutch disc and pressure plate.
6. Any car with a dual mass flywheel may change to a single mass flywheel that is no lighter than 95% of factory OEM weight.
7. Fluid filled motor mounts, fluid filled transmission mounts, fluid filled differential mounts and sub-frame bushings may be replaced with non-spherical non-metallic mounts. Sub-frame bushings may be replaced with non-spherical bushings; any material allowed. Mounts that are replaced may serve no other function or provide any other performance improvement or alteration than the original purpose.
8. Aftermarket, OEM-equivalent piston rings and apex seals are allowed.
9. Any thermostat is allowed provided it serves no purpose other than the OE intent.
10. Intercoolers- If an alternative intercooler is allowed on a vehicle's spec line, it must conform to the following: It must fit in the original location. It must require no body or structural modifications to install. No new openings may be created to direct air to the intercooler.

If an intercooler is allowed, the appropriate hoses to attach it are also permitted provided that they serve no other purpose than the OE hoses.

2. Engine, Rotary Piston

- a. All permissions and restrictions in Sections D.1. apply.
- b. Rotary engines can pre-mix gas with 2-cycle oil additives. See section 9.3 Fuel for more details.

3. Cooling System

a. Radiator(s)

1. A radiator screen of one-fourth ($\frac{1}{4}$) inch minimum mesh may be added in front of the radiator. If added, it shall be contained entirely within the bodywork of the vehicle.

2. Any radiator and fans are permitted, provided it mounts in the original location, maintains the same plane as the original core, and requires no body or structural modifications to install. No new openings created by fitting an alternate radiator may be used to duct air to the engine. Any expansion tank permitted as long as it serves no other purpose.
 3. Radiator and coolant hoses may be replaced with aftermarket options. Modification for coolant temp sensors is permitted.
- b. HVAC:
1. The factory and/or aftermarket air conditioning and heating system may be removed, provided that at least the following items associated with the system are also removed: compressor, condenser. All duct work, vents, wiring, Freon lines, valves, evaporators, dryers, and dash controls may remain. If the air conditioning compressor is an integral part of the drive system, the compressor may be retained and disabled or replaced with an idler pulley that serves no other purpose.
 2. Items that serve a dual purpose, such as an alternator/air conditioning compressor bracket, etc., may not be substituted.
 3. The gaps around the radiator that are created by the removal of the air conditioning condenser and related items may be sealed with foam.
4. **Transmission/Final Drive**
- a. **Transmission**
1. Transmission lubricant may be substituted. Transmission lubricant additives are unrestricted.
 2. An oil catch can is permitted.
 3. Any transmission cooler(s) is permitted.
 4. Conventional aftermarket shift kits allowed (i.e., short-shift). Parts can serve no other purpose than to accomplish the shifting of the OE transmission.
- b. **Final Drive**
1. Unless otherwise so noted on the Vehicle's Specification Line, the differential ratio shall be as delivered as standard equipment by the manufacturer.
 2. All legitimately classified cars in Touring Class are permitted a limited-slip differential (Quaiffe, Torsen, etc.). Locked differentials are not allowed.
 3. Final Drive lubricant may be substituted. Final Drive lubricant additives are unrestricted.
 4. An oil catch can is permitted.
 5. Any differential cooler(s) is permitted.
5. **Suspension**
- a. **Suspension Adjustments**
1. **T2-T5:** A maximum of 3.5 degrees of negative camber is allowed on front and rear suspensions. Spec line part(s) may not be modified to increase caster and camber. Strut suspensions may adjust camber and caster by the use of eccentric bushings, eccentric bolts (crash bolts) at the strut-to-spindle, and/or by use of slotted adjustment plates at the top of the strut mounting plate. If upper strut slotted adjustment plates are used, they shall be located on existing chassis structure, utilizing the unmodified manufacturer's original bolt holes and may not serve as reinforcement for that structure. Slotted adjustment plates (strut camber plates) may incorporate a single spherical bearing (spherical bushing) and a ball thrust bearing per strut tower. On other forms of suspension, camber and caster adjustment may be achieved by the use of shims and/or eccentric bushings. Adjustable toe links with spherical bearings are permitted and may serve no purpose other than adjusting toe angle. Spherical bearings/bushings are not permitted in T2-T5 except for the specific examples listed in the class rules or vehicle spec line.
- b. **Springs, Anti-Roll bar(s), and Shock Absorbers**
1. Anti-Roll bars may be removed or disconnected. Cars where air conditioning units have been removed shall refer additionally to Section D.3.b.1., above, for additional spring requirements. If alternate sway bar(s) are listed on the specification line, adjustable end links are allowed. The length of the link must be within 1" +/- length of stock. No modifications are allowed to the mounting point(s) other than to accomplish attachment of link. There may only be (1) rated spring per suspension corner. In addition to the main rated spring, there may be a "helper" spring on cars allowed a maximum spring rate on their spec line. Helper springs keep the main spring snug and feature a very soft rate, on the order of 10 lbs./in.
 2. The make of shock absorber may be changed. Their number, perch location(s), system of attachment, and attachment points shall not be altered. Their type (tube vs. lever, etc.) shall not be altered. The interchange of gas and hydraulic shock absorbers is permitted.

9.1.9.2. Touring (T2-T5) Category Specifications

T4 *and* T5 *only* only: Unless a specification line allows adjustable shocks, adjustable shocks are prohibited. Any non-adjustable shock absorber is allowed. Adjustable shocks that are retrofitted into non-adjustable appearance are prohibited. Removing adjusters or knobs from adjustable shocks is prohibited. Commercial part numbers for shocks must be visible and unaltered. Shocks must be installed in the original mounting locations. Remote reservoirs are not permitted. Threaded shock bodies or adjusters may be used. Shocks can serve no purpose other than to damp motion.

- a. The mounting hardware utilized shall be of the original type.
- b. The use of any shock absorber bushing material is permitted. Note: the bushing attaching the end of the strut to the body or frame on a strut-type suspension system is considered a suspension bushing, not a shock absorber bushing.
- c. T2 *only*: minimum ride height is 3.75" inches.
T3, T4 *and* T5 *only*: minimum ride height is 4.5" inches.
Ride height to be measured without driver at the lowest point of the rocker, but not to include welded seams, fasteners or factory aero cladding.
- d. T2-T5 *only*: Cars with alternate spring allowance in spec line, may use adaptors, and adjustable perches to allow fitment of springs.
- e. Cars with inboard rear springs are permitted to relocate the spring to the shock.
- f. Cars with an alternative spring allowance are permitted to use performance alternative top hats on shocks and struts. These top hats are permitted to utilize spherical bearings.

c. Alternate Bushings

1. All T2-T3 cars are allowed to replace OEM upper and lower control arm bushings with polyurethane, delrin bushings *or alternate synthetic material*.
2. All T2 cars are allowed to replace OEM rear suspension cradle bushings with an alternate material. The bushing can serve no purpose other than its original intent.

6. Brakes

a. Components

1. The make and material of brake pads and linings may be changed.
2. Brake fluid may be substituted with any brake fluid.
3. Brake rotor dust shields may be removed.
4. Flexible rubber brake lines may be replaced with Teflon lined, metal braided hoses.
5. Any brake ducts are permitted, but they must serve no other purpose. Fender liners may be modified solely for routing and attachment of brake ducts. Duct intake openings may be created by the opening of 2 sections up to 14.5 square inches each in the front fascia. The stock headlamp location is not permitted for brake ducting. Two alternative duct openings may be created by the removal of the fog lights or 2 sections up to 14.5 square inches each of stock false grills originally located in the front fascia.
6. Stock replacement brake rotors may be obtained from sources other than the manufacturer provided they are the exact equivalent of the stock rotors. In T2 *only* - 2-piece rotors with ferrous metal rotor disks and aluminum hats are allowed, must be within 5% of OE diameter. In T3 *only* - 2-piece front rotors with ferrous metal rotor disks and aluminum hats are allowed, must be within 2% of OEM diameter.
7. Parking brakes, mechanisms, and actuating components may be removed.
8. Brake vacuum reservoirs sized 0.50 gallons or smaller are permitted. The port or fitting at the vacuum source may not be modified, enlarged or relocated. The vacuum reservoir and brake booster must be a closed system.

7. Wheels and Tires

a. Wheels

1. Any type wheel suitable for competition may be used, provided:
 - a. Any wheel not exceeding the specified diameter and rim width on the vehicle's specification line may be used.
 - b. Wheels are permitted any offset provided the tire tread (that portion of the tire that contacts the ground) does not protrude beyond the fender opening when viewed from the top perpendicular to the ground, unless specified differently on the individual spec line

for that car. To determine compliance the vehicle should be rolled through a powdered substance, as raced with driver, in order to indicate the tire tread contact patch under static conditions. When a maximum tire size is listed on a vehicle's specification line, aspect ratio is open and any tire may be used that does not exceed the stated maximum section width.

- c. Cars equipped with lug bolts may convert to wheel studs and lug nuts.
 - d. Wheel studs may be replaced with longer studs as necessary to fit optional wheels. Wheel spacers may be used for purposes of adjusting track.
 - e. T4 only: (unless specified on spec line) Any aftermarket wheel with a minimum weight of 15 lbs allowed.
2. Hub caps and wheel trim rings shall be removed from all wheels.
 3. *T5 only: (unless specified on spec line) Any aftermarket wheel allowed.*

b. Tires

Tires must conform to GCR section 9.3. Tires. All tires shall be offered for sale over the counter through the manufacturer's tire dealer network. The brand of tire and tire pressures are unrestricted. All cars shall run tires with a minimum of a "U" speed rating. Tires must be DOT certified. The tire size on a vehicle spec line is a maximum unless otherwise noted. Touring spec line tire classification supersedes all other rules. *T5 has a maximum tire width of 225 and a minimum aspect ratio of 45.*

8. Body/Structure

a. Configuration/Modifications

1. Component Alignment: All body components shall maintain their original relationships. Gaps or openings shall not be increased, decreased, or eliminated through realignment of components. Normally occurring gaps or seams shall not be taped over.
2. Door Glass
 - a. All cars shall run with both front door windows fully open (down).
 - b. Both front windows, driver and passenger, shall be down (preferably removed) whenever the vehicle is on track. The OEM window opening on the front doors shall not be filled in with any material, other than the material required to mount a NACA-duct for driver cooling. If used, the NACA-duct shall be mounted in the front, lower, corner of the window opening. The area closed off to mount the NACA-duct shall not exceed 50 square-inches. In rain conditions, a quarter window larger than 50 square-inches may be used in the area normally used to mount the permitted NACA-duct, in an attempt to minimize the amount of water entering the cockpit. Enough open area for the driver to exit in an emergency shall remain open at all times.
3. Spoilers (Wings)
 - a. Only original equipment front spoilers, dams, and rear spoilers and wings shall be permitted unless specified on the vehicle specification line.
4. Other Body Components
 - a. Sunroofs, Targa tops, and T-tops are only permitted if installed by the manufacturer of the vehicle. If installed they must be retained on the vehicle, run in the closed position, and securely bolted in place unless the operating rails adequately secure the panel. Glass panels are permitted. The glass sunroof may be replaced with a metal panel or a panel made of the same material as the roof of the car and all its associated mechanical components may be removed; the panel must be the same thickness as the roof material; the panel must retain the shape of the glass sunroof.

Hardtops: Shall be the original equipment hardtop from the vehicle manufacturer unless an alternate part number or manufacturer is listed on the vehicle spec line. If a hardtop is used, latches shall be replaced with positive fasteners and convertible top shall be removed.

Convertible or roadster top: Convertible or roadster top vehicles are allowed. The convertible top shall be removed.
 - b. Hatchback "privacy covers" shall be completely removed.
 - c. All of the vehicle's doors must be able to be opened from both inside and outside the vehicle. Electric door latches may be removed and replaced with mechanical linkage. Mechanical door latch location must be marked to be visible to workers.
5. Fenders and wheel openings shall remain unmodified. It is permitted to roll under or flatten any interior lip on the wheel opening for tire clearance. Cars with plastic/composite fenders may remove any interior wheel opening lip, but the resulting material edge shall be no thinner than

9.1.9.2. Touring (T2-T5) Category Specifications

the basic fender material thickness. Non-metallic inner fender liners may be removed.

6. Air jacks are permitted, but no air source may be carried on board. Installation of such may not reinforce the chassis, or add another attachment point to the roll cage structure. It is permitted to attach one or more plates, or pads, under the car to provide for jacking of the car, provided they serve no other purpose. It is prohibited to install any kind of device, which protrudes from the rocker panel or side of the car.
7. Touring 2 and 3 only: Hoods may have a maximum of 2 vents installed for cooling purposes. The maximum combined total area of the vents shall not exceed 200 square inches. The 200 Square inches includes any area that deviates from the factory hood profile. Vents may not protrude above the OEM hood profile more than 25mm (1 inch).
8. For the sole purpose of engine radiator cooling, it is permitted to remove the outermost non-metallic webbed false grill openings that are closed in mesh style factory grill openings. The modified grill opening mesh shape and contour must be retained as delivered from the manufacturer. This allowance does not permit modification to dedicated brake-only or intercooler-only grill openings.

b. Appearance

1. Cars may be painted any color(s). Markings and numbers may be painted.
2. Vehicles shall be neat and clean, and shall not be dirty externally or in the engine or passenger compartments. They shall not show bodywork damage, and shall not be presented for competition totally or partially in primer. Cars that do not bear the prescribed identification marks, Road Racing logos, and numbers in conformance with GCR Section 9.3 Identification Markings, shall not be approved for competition.

9. Driver (Passenger) Compartment (Trunk)

a. Seating

1. All seats and seat brackets may be removed.
2. Rear heating/air conditioning ducts which are located under the seats may be removed or modified to facilitate seat installation.

b. Steering Wheel

1. Aftermarket steering wheels, and their required mounting modifications, are permitted.

c. Gauges and Accessories

1. Add on gauges are permitted and shall perform no other function other than their primary use or for Data acquisition.
2. Interior mirror(s) may be replaced, but no such mirror shall extend beyond the confines of the interior of the vehicle.
3. Two-way radios may be used.
4. Hand controls are permitted in those instances where the driver can demonstrate the physical need for them.
5. Data Acquisition Systems
Stand alone data acquisition systems are allowed to be in use in the car during practice, qualifying and race events. These devices may be connected to the data link connector in the car to extract available data. This must be a one-way out connection and no calibrating or alteration of the PCM is to be done while the car is in motion and the system in place.
6. It is permitted to add an aftermarket tachometer to any car that is not equipped with a factory tachometer.

d. Interior Modifications

1. Front passenger seat, rear seat back, rear seat bottom cushion(s), all seat-related wiring, sun visors, seat belts and their attaching hardware and bracketry may be removed. In any automobile where allowed removal of rear seats, upholstery, etc., creates an opening between the driver/passenger compartment and an exposed gas tank, fuel cell, or part thereof, a metal bulkhead which completely fills such opening shall be installed (See GCR 9.3 Fuel Cell Specifications).
2. Carpets, carpet padding, center consoles, floor mats, headliners, sun roof liner and frame, dome lights, grab handles, and their insulating, attaching or operating mechanisms and front door windows may be removed. Sound deadening (melt sheets) and undercoating may be removed on the interior only.
3. Spare tires and any removable covers, tools, bins, etc., may be removed along with attaching hardware and bracketry.
4. Removal of radio and speaker components is permitted.

5. All other interior trim panels, except the dashboard, may be removed. Other than to provide for the installation of required safety equipment or other authorized modifications, no other driver/passenger compartment alterations or gutting are permitted.
6. Modifications may be made to the foot pedals to improve the comfort and accessibility to the driver. Dead pedal/foot rest and heel stop may be added.
7. The driver's side floor pan may be modified to accommodate larger/taller drivers. All modifications shall be contained between the transmission tunnel, driver's side rocker, rear bulkhead. The modification shall not extend below the factory floor stiffener/frame rail. The steel used in the modification shall be no thinner than .058". All modifications shall be welded in place. This modification shall serve no other purpose other than seating position.

10. Safety

a. Steering Column (Locks)

1. Steering column locks may be removed or disabled.

b. Safety Harness

1. All cars shall be equipped with a driver's restraint system meeting the specifications of GCR Section 9.3 Driver's Restraint System.
2. All cars shall have a driver's side window safety net complying with GCR Section 9.3 Window Safety Nets shall be mounted in such a manner as to provide protection in the event the driver's door opens.
3. In those cars where a window safety net cannot be installed, arm restraints shall be used. Arm restraints are not an acceptable substitute for window nets in any other type of car.

c. Fire Systems (Extinguishers)

All cars shall have, as a minimum, a fire extinguisher meeting the specifications of GCR Section 9.3 Fire System. Touring 2 cars must have a fire system installed. Touring 3, Touring 4, and Touring 5 automobiles may be equipped with a fire system meeting the specifications of GCR Section 9.3 Fire System.

d. Passive Restraint Systems

Passive restraint systems shall be deactivated. Air bag systems shall be deactivated and may be removed. If the car is to be used on public roads, we recommend that these items be reactivated/rearmed/replaced when not in competition.

If so equipped, the rolling door lock mechanism may be deactivated by unplugging the components.

e. Towing Eyes

Towing eyes per GCR Section 9.3 Towing Eyes, shall be fitted.

f. Electrical Master Switch

An electrical master switch may be installed.

g. It is permitted to either:

- disconnect the stock hood release cable and replace it with a release cable easily accessible from the front of the car, or
- disconnect the stock hood release cable and remove the stock hood latch and use hood pins to retain the hood in place.

E. Car Classification

These classifications shall be reviewed on an annual basis, and shall be effective as of January 1. Once these classifications have been officially published, models and or specified OEM parts not available to the public or valid SCCA club members by March 1 of the calendar year will not be classified for competition until the following calendar year.

Touring Category Classes are as follows: T2, T3, T4, and T5.

1. Weight

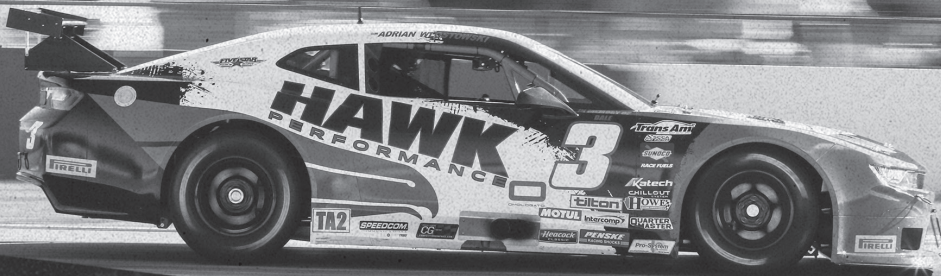
- a. The weight is defined by the automobile's specification line.

2. Ballast

- a. Automobiles may carry ballast to achieve their specification's minimum weight. Refer to GCR section 9.3 Ballast.

1. Each segment shall be fastened with a minimum of two (2) one-half (1/2) inch bolts and positive lock nuts of SAE Grade 5/Metric 8.8 or better, and shall utilize large-diameter, load-distributing washers.

**20-40% MORE
STOPPING
POWER FEELS
DIFFERENT.**



**BETTER.
LEGENDARY.**



That's what Race Proven, Street Legal technology is all about. High performance brake products for your track car, daily driver, 4x4, truck and SUV. Turns out, 30 years of channeling our obsession with performance pays off.

Our R&D department includes a PhD in friction, a Ph.D. in physics and a Ph.D. in engineering to create legendary stopping power.

Hawk Performance has the legendary premium friction products that stop you faster and last longer since 1995.

race proven. street legal.

T2	Bore x Stroke(mm)/ Displ. (cc)	Wheel-base (mm)	Max Wheel Size (inch)	Tire Size (max)	Gear Ratios	Final Drive	Brakes (mm)	Weight (lbs)	Notes:
Acura TL SHAWD (10-13)	90.065 x 96.1 3664	2776	19 X 9	275	3.63, 2.12, 1.53, 1.13, 0.85, 0.69	3.84	(F) 320 x 28 Vented (R) 334 x 11 Solid	3400	1000 lb/in springs maximum permitted (F&R), part numbers H&R R25081000 or RF200180 or Eibach 0800.225.1000. 24mm rear anti-sway bar permitted, part number Progress 62.0111. The glass sunroof must be replaced with a metal panel; the panel must be the same thickness as the roof material; the panel must retain the shape of the glass sunroof and must be painted in body color. Brake package may include the following StopTech part numbers: 36.061.7419, 39R.061.7413, 39R.061.7414, 31.737.1101.87, 31.737.1102.87, 379.438.8131, 379.438.8132.
Audi S4 (12-14)	84.5 X 89.0 2995	2809	19 x 10	295	3.68 2.16 1.52 1.13 0.92 0.78	2.85	(F) 345 Vented (R) 330 Vented	3600	S tronic transmission permitted at 3650 lbs. Ratios: 3.88, 2.24, 1.56, 1.18, 0.92, 0.75, 0.62. Max spring rate 1100#/in. front and rear. F sway bar 30mm, rear sway bar 24mm SPC front upper arms 81360. Brembo brake Kit PN: 3K2.8032A permitted. Q5 OEM brake calipers, part #8R0615107G and 8R0615108G permitted. 2-Piece rotors max diameter 345 mm permitted. Separate coolant reservoir for the water to air intercooler permitted. 60mm flat plate restrictor required.
Audi S5 (13-14)	84.5 X 89.0 2995	2809	19 x 10	295	3.68 2.16 1.52 1.13 0.92 0.78	2.85	(F) 345 Vented (R) 330 Vented	3600	S tronic transmission permitted at 3650 lbs. Ratios: 3.88, 2.24, 1.56, 1.18, 0.92, 0.75, 0.62. Max spring rate 1100#/in. front and rear. F sway bar 30mm, rear sway bar 24mm SPC front upper arms 81360. Brembo brake Kit PN: 3K2.8032A permitted. Q5 OEM brake calipers, part #8R0615107G and 8R0615108G permitted. 2-Piece rotors max diameter 345 mm permitted. Separate coolant reservoir for the water to air intercooler permitted. 60mm flat plate restrictor required.
Audi TT RS (2018-)	82.5 x 92.8 2480	2504	19 x 10	275	3.56, 2.53, 1.68, 1.02, 0.79, 0.76, 0.64	1st, 4th, 5th: 4.06 2nd, 6th, 7th: 3.45	(F) 371 (R) 310	3400	40mm TIR required. Front sway bar 30mm max. Rear sway bar 28mm max. Springs up to 1200lb/in, front and rear allowed. Aftermarket intercooler allowed, part number TBD.
BMW E92 M3 (08-14)	92.0 x 75.2 3999	2761	18 x 10	295	4.06, 2.37, 1.58, 1.19, 1.000, .87	3.85 or 3.15	(F) 360 x 30 (R) 350 x 24	3425	The following aftermarket brakes are allowed with an additional 75lb penalty: StopTech Brake Kit permitted: 380x35mm 6-piston caliper Part# 83.160.6D00.XX(F) and 355 x 35mm 4-piston caliper Part #83.160.0047.XX (R). Brembo Brake kit permitted: Front brake kit #1N2.8505A and rear brake kit #2P2.8033A. Alcon Brake Kit permitted: (F) part #BKF9751ZG70L 6-piston caliper and (R) 4-piston caliper (R) part #BKR9856B20L. AP Racing: Front Part Number 13.01.10038, Rear Part Number 13.01.10053 permitted. Springs up to 1000#/in front and rear allowed. Rear spring may be located on shock. Any front swaybar front 32.2mm and 25.4 rear allowed. RD Sport F & R sway bar kit part # 1968190110. 78mm flat plate restrictor required. Restrictor must be placed in the front of the factory engine air intake manifold opening. The plate must seal the opening so that all air entering passes through the restrictor. DCT transmission allowed. Rear upright may be reinforced so that the lateral arm is mounted in a double shear mount. OEM brake ducts may be used in the factory configuration and may serve no other purpose than the factory intent. Fall Line Suspension arms permitted- G8X/F8x/E9x M3, E9x M3/E82 1M, E9XM3?E82 1M.
BMW M235i (-2016)	84.0 x 89.6 2979	2691	18 x 10	275	4.71, 3.14, 2.11, 1.67, 1.29, 1.00, 0.90, 0.67	3.08	(F) 370 (R) 324	3400	1030 lb/in springs allowed. 2016 BMW M235i R Cup Spec Wing allowed. 40mm Turbo Inlet Restrictor required.
BMW M235iR (-2016)	84.0 x 89.6 2979	2691	18 x 10	275	4.71, 3.14, 2.11, 1.67, 1.29, 1.00, 0.90, 0.67	3.08	(F) 355 (R) 324	3350	DOT approved tires required. All other components must be as homologated from BMW Motorsports. No other changes or Touring rule allowances permitted <i>unless specified below</i> . Must conform to World-Challenge VTS 2/25/2016 rev.2. 240iR/Evo package permitted. 240iR permitted. Must run DOT tires. <i>T2 compliant shocks permitted. Alternative tune permitted.</i>

T2	Bore x Stroke(mm)/ Displ. (cc)	Wheel- base (mm)	Max Wheel Size (inch)	Tire Size (max)	Gear Ratios	Final Drive	Brakes (mm)	Weight (lbs)	Notes:
BMW M3 (01-06)	87.0 x 91.0 3246	2731	18 x 9	275	4.23, 2.53, 1.67, 1.23, 1.00, 0.83	3.62	(F) 365 (R) 350	3000	Factory paddle shifter is permitted. Sway bars permitted. FLMSE46M3T2KIT. Headers allowed. Spring rates up to 1000 lb. max. May locate rear spring on shock. Dinan D763-1600A, Brembo 3K2.8006A F, 2P2.8002A R, OR Alcon 802161106 F, R98B03-01F7DZ R permitted. BMW cold air intake part #8299520 and #8299525 with ducting are permitted. Evolve Tuning intake EVXE46M3CFAB permitted.
BMW Z4M (06-08)	87.0 x 91.0 (3246)	2497	18 x 10	295	4.23, 2.53, 1.67, 1.23, 1.00, 0.83	3.62	(F) 365 (R) 350	3100	Factory paddle shifter is permitted. Sway bars permitted. FLMSE46M3T2KIT. Headers allowed. Spring rates up to 1000 lb max. May locate rear spring on shock. AFE 54-115821, Brembo 3K2.8006A F, 2P2.8002A R, OR Alcon 802161106 F, R98B03-01F7DZ R permitted. M3 front lower control arms 31122229453 left, 31122229454 right. E46 M3 front lower control arms allowed: 31122229453 left, 31122229454 right. May ream upright for installation of larger joint. alternate rear lower control arm part #TSU9940B77 allowed. Evolve Automotive alternate intake EVXE46M3CFAB permitted. Evolve cold air kit #E46M3CSL permitted. M3 front lower control arm #31122229453 left, M3 front lower control arm #31122229454 right, May ream upright for installation of larger joint, Alternative rear lower control arm #TSU9940B77.
BMW M2 (2017-)	84 x 89.6 (2979)	2693	10.5x18	295	DCT 4.81, 2.59, 1.70, 1.28, 1, .84, .67 MT 4.11, 2.32, 1.54, 1.78, 1, 0.85	3.46	(F) 385 (R) 370	3650	38mm TIR required. 1050 lb max springs front and rear.
BMW M2 CS Cup 2020-	84 x 89.6 (2979)	2693	10.5 x 18	295	4.81, 2.59, 1.70, 1.28, 1, .84, .67	4.17	(F) 380 (R) 380	3600	DOT approved tires required. All other components must be as homologated from BMW Motorsports. No other changes or Touring rule allowances permitted unless noted below. It is permitted to remove door glass and mechanism. It is mandatory to run the "Purple" power stick part #8324089. BMW exhaust part # 18302459928 allowed. Hot country package allowed including part numbers: (aKMK LH 17 10 8342846 1, aKMK RH 17 10 8328139 1, 17 10 8328135 1, 17 10 8328136 1, 17 10 8328137 1, 17 10 8328138 1, ISO7380-2 M5X14 10.9 ZNSW 17 10 8436008 2, 17 10 8417424 1.)
Cadillac ATS-V (16-17)	94.0 x 85.6 (3564)	2775	18 x 10 (F) 18 x 11 (R)	275	3.01/4.56, 2.07/2.97, 1.43/2.08, 1.00/1.69, .84/1.27, .57/1.00	2.85	(F) 370 (R) 339	3600	(2) 33mm turbo inlet restrictors required.
Cadillac CTS-V (04-05)	99.0 x 92.0 (5665)	2880	18 x 10	295	2.97, 2.07, 1.43, 1.00, 0.84, 0.56	3.73	(F) 355 Vented Disc (R) 365 Vented Disc	3500	Brake duct extension (through fog light) PN 25534464, Fuel tank sender kit PN 25534466. Springs up to 800#/in front and rear allowed., Front Roll Bar (36mm) # 25534469, Front Isolator #25534470, Rear Roll Bar (24mm) #25534471, Rear Isolator #25534472, F&R Links #25534473. Alternate sway bar up to 36mm front, 25mm rear allowed. 62mm flat plate restrictor required.
Cadillac CTS-V (06-07)	101.7 x 92.0 (5967)	2880	18 x 10	315	2.97, 2.07, 1.43, 1.00, 0.84, 0.56	3.73	(F) 355 Vented Disc (R) 365 Vented Disc	3500	Brake duct extension (through fog light) PN 25534464, Fuel tank sender kit PN 25534466. Springs up to 800#/in front and rear allowed., Front Roll Bar (36mm) # 25534469,-Front Isolator #25534470, Rear Roll Bar (24mm) #25534471, Rear Isolator #25534472, F&R Links #25534473. Alternate sway bar up to 36mm front, 25mm rear allowed. 57mm flat plate restrictor required.

T2	Bore x Stroke(mm)/ Displ. (cc)	Wheel-base (mm)	Max Wheel Size (inch)	Tire Size (max)	Gear Ratios	Final Drive	Brakes (mm)	Weight (lbs)	Notes:
Cadillac CT4-V Blackwing (2022-)	94 x 85.6 (3564)	2776	(F) 18 x 10 (R) 18 x 11	295	MT 2.66, 1.78, 1.30, 1.00, 0.8, 0.63 AT 4.70, 2.99, 2.16, 1.78, 1.53, 1.28, 1.00, 0.85, 0.69, 0.64	MT 3.73 AT 2.85	(F) 380 (R) 339	3800	Shocks and Front Springs must remain OEM. Rear spring allowed #84004133. Engine and catalytic converter must remain stock. ECU and all other computers must remain unmodified and must utilize OEM programming unless noted below. Carbon Fiber package RPF-PFZ allowed. eLSD Calibration permitted. <i>Adjustable sway bar end links permitted.</i> THIS CAR DOES NOT QUALIFY FOR SCCA RUNOFFS COMPETITION UNTIL IT HAS BEEN REPRESENTED IN 3 SCCA SUPER TOUR EVENTS.
Chevrolet Camaro SS/1LE (10-15)	103.3 x 92.0 6162	2853	20 x 11	315	3.01, 2.07, 1.43, 1.0, 0.84, 0.57 or 2.66, 1.78, 1.30, 1.00, 0.74, 0.50	3.45 or 3.91	(F)355 x 32 Vented (R)365 x 28 Vented	3625	1LE-SS Track Pack permitted. Tower Brace 22756880, oil-air separator 12653074, 75mm flat plate restrictor required. Springs up to 1200#/in front and rear permitted. Hotchkis sway-bars # 22109, TPR rear upper shock mount # 22122, Pfadt lower control arm reinforcement # 1410135, ARE Dry Sump # LS3-3Y, Petersen # 8009W, Aviad # 009-92200, ATI # 917239, DSS # GNCA10-A, Turn One #T40RBZ28P, ZL1 front brake kit #22959672. GM Suspension Part # 23464729 and GM Aero Part #'s 23489551 & 23200132 are allowed. ANZE Suspension Rear Shock Mount #-MT-Camaro-5-R-Race1 allowed. ACS 2010-13 Z28 Spoiler #33-4-155 permitted on the 2010-13. Allow Ground Control rear shock mounting bracket (red bracket P/N SP133C5). Allow Ground Control rear shock mounting bracket (red bracket P/N SP133C5). Aviad Dry Sump #001-13110 allowed. Dailey Engineering dry sump P/N 20-02-0666-ASSY allowed. Belt tensioner part number GM 12569301 allowed. Any swaybar up to 35mm front and rear allowed. Lower control arms BMR TCA026 and rear trailing arms BMR TCA026. Drive Shaft Shop P/N RA-5424 and RA-5425 Allowed.
Chevrolet Camaro SS (V8) (10-13) Restricted Prep. 6.2L V8 (Aluminum Block, Aluminum Heads), 2 valves per cylinder									Must conform to the AS rules.
Chevrolet Camaro SS (98-02)	99.0 x 92.0 5666	2568	18 x 10	295	2.66, 1.78, 1.30, 1.00, 0.74, 0.50	3.42	(F) 355 Vented Disc (R) 340 Vented Disc	3250	Power steering cooler (option code V12) is permitted. Severn Canton Accusump part #CA24024 or CA24006, along with Electric solenoid W/ epc #CA24273, Accusump check valve #CA2428, and wheel to wheel Adapter block #0760-50001, and related hoses and mounting brackets are permitted. Z28 can use original hood. Part #SP-8316. Front Sway Bar (1-3/8" or 35mm); Part #SP-8327, Rear Sway Bar (7/8" or 22mm); Part #UMI-2006, strut tower brace, 2 pt, 1.25" OD) permitted. Springs up to 800#/in front and rear allowed. Cold air intake allowed. Torque arm, panhard bar, and panhard bar relocation brackets from Unbalanced Engineering allowed. 4 Piston front and rear brake calipers allowed. ATI Super Damper part #918844 permitted. Spring relocation to shock permitted.
Chevrolet Camaro, 1LE (2016-)	103.25 x 92.0 6162	2811	20 x 11	295	2.66, 1.78, 1.30, 1.00, 0.74, 0.50 Auto - 4.70, 2.99, 2.15, 1.80, 1.52, 1.28, 1.00, .85, .69, .64	Manual - 3.73 Auto - 2.77	(F) 345 x 32 vented (R) 338 x 28 vented	3550	Part numbers: 84004136, 23301611, 19352519, 19180514, 23245471 allowed. OEM brake kit #23245471 allowed. 56mm flat plate restrictor required. Springs up to 1200#/in front and rear permitted. Swaybar kit (part number #84242386) permitted. Any front 355mm 4 piston caliper and 2 piece rotors permitted. Dry sump permitted. Any front sway bar 35mm front and 30mm rear permitted. Rear spring relocation to shock permitted. ZL1 1LE Spec Solid Cradle Mounts allowed, Chevrolet Performance part number 84341929.

T2	Bore x Stroke(mm)/ Displ. (cc)	Wheel-base (mm)	Max Wheel Size (inch)	Tire Size (max)	Gear Ratios	Final Drive	Brakes (mm)	Weight (lbs)	Notes:
Chevrolet Corvette C-5 Incl. Fxd Cpe (98-04) Z06 (hardtop) (01-04)	99.0 x 92.0 5666	2655	18x10 (F) 18x11 (R) or 18 x 11 (F) 19 x 13 (R) OEM 10.5 REAR Z06 wheels may be used on the front or rear axle. F & R OEM only 17 x 9.5 (F) 18 x 10.5 (R)	295 Rear tires may protrude up to 1.0" with GM T1 Perf. Susp. pkg. Max. camber: (R) -2.5 with GM T1 Performance Suspension package.	C5: 2.66, 1.78, 1.30, 1.00, 0.74, 0.50 Z06: 2.97, 2.07, 1.43, 1.00, 0.84, 0.56 Auto trans only: 4.03, 2.36, 1.53, 1.15, 0.85, 0.67	3.42 Auto trans only: 2.56 or 2.73	(F) 325 Vented Disc (R) 305 Vented Disc May use two-piece steel rotors with aluminum hats up to 5% larger than 340/330; Any four piston calipers and brackets are permitted. Any brake caliper pistons are allowed; may use the Wilwood SL6R brake caliper. Stock calipers and rotors only (F) 325 (R) 305	3425 w/53mm flat plate restrictor 3350 (w/58mm flat plate restrictor, only permitted when using OEM Wheels and Stock Brakes)	GM Motorsports T1 suspension pkg. (Part # 12480062) is permitted. <i>SpecCorvette SCT-1 swaybars permitted.</i> Parts for Z06 upgrade: LS6 Engine Assy.: P/N 88894057, Engine components if using LS1 block: LS6 cylinder head: P/N 12560801, LS6 intake manifold: P/N 88890524 or 12480075, LS6 camshaft: P/N 12560950, LS6 valve springs: P/N 12565117, LS6 valve shims: P/N 12565118, Lifter valley cover: P/N 12568002, PCM: P/N 12200411, LH Exh manifold: P/N 12561255, RH Exh manifold: P/N 12561256. C-5 exhaust system may be modified to mate to Z06 exhaust manifolds. Cage attachments points may be on the frame. Floor may be modified to facilitate installation of cage mounting plates. Wrapping of tie-rod ends to shield heat is permitted. This max. tire supersedes TCS 9.1.10.D.7.b. C6 calipers permitted. Alternate wheel bearings SKF Part # BAR 5049C permitted. OEM or equivalent carbon fiber hood is allowed. ARE dry sump kit #3021S, Dailey 20-02-0666, or Aviad dry sump kit #008-10001 allowed. ATI non-underdrive damper #917303, balancer bolt #951503, optional crank pin kit #918993 and Katech's non-spring loaded belt tensioner KAT-A4425 permitted. The oil tank for either system may be installed in the current battery location and the OEM weight and size battery must be relocated to the same location as the 08 Corvette Z06; a battery mounting bracket and hardware equivalent to the GM 08 Corvette Z06 must be used. Automatic transmission option 4L60-E permitted. Aftermarket leaf spring suspension allowed 800 lb max. Coilover suspension allowed coil springs allowed 800 lb max.

T2	Bore x Stroke(mm)/ Displ. (cc)	Wheel-base (mm)	Max Wheel Size (inch)	Tire Size (max)	Gear Ratios	Final Drive	Brakes (mm)	Weight (lbs)	Notes:
Chevrolet Corvette C6 Coupe / Grand Sport (05-13)	101.68 x 92.0 5967 (LS2) 103.26 x 92.0 6162 (LS3)	2685	18 x 10 (F) 19 x 11 (R) or 18 x 11 (F) 19 x 13 (R)	295 Rear tires may protrude up to 1.0" with GM T1 Performance Suspension package. Max. camber: (R) -2.5 with GM T1 Performance Suspension package.	2.66, 1.78, 1.30, 1.00, 0.74, 0.50, or 2.97, 2.07, 1.43, 1.00, 0.71, 0.57 Auto trans only: 2.56 or 2.73 Auto trans only: 4.03, 2.36, 1.53, 1.15, 0.85, 0.67	3.42 Auto trans only: 2.56 or 2.73	(F) 325 / 340 Vented Disc (R) 305 / 330 Vented Disc or (F) 355 x 32 Vented Disc (R) 340 x 26 Vented Disc or May use 2-pc steel rotors with alum. hats up to 5% larger than Z51 rotor. ----- LS2 may use Grand Sport brake package. Any brake caliper pistons allowed. May use any four piston brake caliper and brackets. Z06 brake calipers allowed.	3400 Add 50 lbs. for larger wheels	C6 T1 Suspension kit and Z51 option allowed. Floor may be modified to facilitate installation of cage mounting plates. Removable roof panel shall be installed. The following parts are allowed: GM oil pan #12630477; GM radiator baffle # 25953429 (LS3 only); fan shroud, Phoenix part # 1005422; Canton Accusump part # CA24006 or # CA24024, along with Electric solenoid W/ epc # CA24273, Accusump Check Valve # CA2428, and Wheel to Wheel Adapter block # 0760-50001, and related hoses and mounting brackets; 180 degree thermostat Hypertech # 1015; Lingenfelter Performance Engineering #L310055204 thermostat (LS2 only); HD oil pressure shim Phoenix part # 1005421. Wrapping of tie-rod ends to shield heat is permitted. Trimming of the lower edge of the center of the air dam is allowed up to a depth of 3.9 cm. Dailey Dry Sump #20-02-0666 permitted, ARE dry sump system part #3021 S permitted; the following parts are included: mount w/tensioner and spacer #3020YM, serpentine belt #4032S, pulley #4SERP, oil tank #7030, tank bracket #7000, breather catch can # 7100, filter adapter #4010, damper assembly #8005. Aviaid Dry Sump System part number 008-10001 is permitted; the following parts are included: 3-stage pump 13111-1182, mounting hardware 40082 and 40018-83-1, HTD pump pulley 11649, HTD belt 46476, ATI damper assembly 917289, pan assembly 152-52504-10001, and tank assembly 110-50020-10001. The oil tank for either system shall be installed in the current battery location and the battery must be relocated to the same location as the 08 Corvette Z06; GM battery mounting bracket and hardware must be used. Alternate wheel bearings SKF Part # BAR 5049C permitted. LS2: 58mm flat plate restrictor is required. LS3: 50mm flat plate restrictor is required. The restrictor must be placed in the front of the factory throttle body manifold opening. The plate must seal the opening so that all air entering passes through the restrictor. Aftermarket leaf spring suspension allowed 800 lb max. Coilover suspension allowed coil springs allowed 800 lb max.
Chevrolet Corvette Z06 (06-12)	103.26 x 92.0 6162	2685	18 x 10 (F) 19 x 11 (R) or 18 x 11 (F) 19 x 13 (R)	295 Rear tires may protrude up to 1.0" with GM T1 Performance Suspension package. Max. camber: (R) -2.5 with GM T1 Performance Suspension package.	2.66, 1.78, 1.30, 1.00, 0.74, 0.50 or 2.97, 2.07, 1.43, 1.00, 0.71, 0.57	3.42	(F) 325 / 340 Vented Disc (R) 305 / 330 Vented Disc or (F) 355 x 32 Vented Disc (R) 340 x 26 Vented Disc or May use 2-pc steel rotors with alum. hats up to 5% larger than Z51 rotor. Any brake caliper pistons allowed. May use any four piston brake caliper and brackets. Z06 brake calipers allowed.	3525	C6 T1 Suspension kit and Z51 option allowed. Floor may be modified to facilitate installation of cage mounting plates. The max. tire sizes supersede TCS 9.1.10.D.7.b. Removable roof panel shall be installed. The following parts are allowed: GM oil pan #12630477; GM radiator baffle # 25953429; fan shroud, Phoenix part # 1005422; Canton Accusump part # CA24006 or # CA24024, along with Electric solenoid W/ epc # CA24273, Accusump Check Valve # CA2428, and Wheel to Wheel Adapter block # 0760-50001, and related hoses and mounting brackets; 180 degree thermostat Hypertech # 1015; HD oil pressure shim Phoenix part # 1005421. Wrapping of tie-rod ends to shield heat is permitted. Trimming of the lower edge of the center of the air dam is allowed up to a depth of 3.9 cm. Dailey Dry Sump #20-02-0666 permitted, ARE dry sump system part #3021 S permitted; the following parts are included: mount w/tensioner and spacer #3020YM, serpentine belt #4032S, pulley #4SERP, oil tank #7030, tank bracket #7000, breather catch can # 7100, filter adapter #4010, damper assembly #8005. Aviaid Dry Sump System part number 008-10001 is permitted; the following parts are included: 3-stage pump 13111-1182, mounting hardware 40082 and 40018-83-1, HTD pump pulley 11649, HTD belt 46476, ATI damper assembly 917289, pan assembly 152-52504-10001, and tank assembly 110-50020-10001. The oil tank for either system shall be installed in the current battery location and the battery must be relocated to the same location as the 08 Corvette Z06; GM battery mounting bracket and hardware must be used. Alternate wheel bearings SKF Part # BAR 5049C permitted. LS2: 52mm flat plate restrictor is required. LS3: 48 mm flat plate restrictor is required. 3.0 degrees MAX front camber. ATI non-underdrive damper #917303, balancer bolt #951503, optional crank pin kit #918993 and Katech's non-spring loaded belt tensioner KAT-A4425 permitted. Aftermarket leaf spring suspension allowed 800 lb max. Coilover suspension allowed coil springs allowed 800 lb max.

T2	Bore x Stroke(mm)/ Displ. (cc)	Wheel-base (mm)	Max Wheel Size (inch)	Tire Size (max)	Gear Ratios	Final Drive	Brakes (mm)	Weight (lbs)	Notes:
Spec Corvette								3375	Cars must comply with all Spec Corvette rules dated 3-1-21 including fuel and tires. No tire treatment or rubber softeners are permitted. T2 requirements of 3.75" min ride height and 53mm flat plate restrictor required. Any 295 DOT tire approved with +200lb.
Dodge Viper SRT-10 incl. coupe (03-06)	102.4 x 100.6 8300		18 x 11 (F) 19 x 13 (R)	(F) 315/35 (R) 345/30	2.66, 1.78, 1.30, 1.00, 0.74, 0.50	3.07	(F) 355 Disc (R) 355 Disc	3675	If a hardtop is used, it shall be the detachable Autoform hardtop (latches shall be replaced with positive fasteners), convertible top shall be removed. Throttle restrictor between each throttle body and plenum is mandatory: .060" flat steel plate with one 44mm hole (In convertible configuration) or one 42mm hole (hardtop configuration). A .250" thick (max) steel or aluminum spacer is permitted between the throttle body and the restrictor to provide clearance for the throttle butterfly. This spacer shall replicate the dimensions of the stock throttle body flange (i.e. throttle bore, bolt pattern, idle-air bypass port dimensions, etc.) Throttle body spacer bore(s) shall be no larger than the stock throttle body bore diameter at the gasket surface, and shall not be radiused in any way. Throttle restrictor may include idle air control and/or PCV orifice. The following parts are allowed: Mopar performance fan delete kit #P5153260, Phoenix SRT10 electric fan kit #PPI123321, Mopar swing oil pickup kit # 4510174, Trans. mount # P4510179, Dodge Motorsports T1 suspension kit part # P5153251 Hypercoil springs #188A0750 (F) and 188A0800 (R) are allowed. B&M Shifter (PN45055) is permitted. Oil pan part #5037735AC, oil pick up part #5038022AB, oil pick up tube part #5037312AE are allowed. Maximum front camber of -3.0 w/ Dodge Motorsports T1 suspension package allowed.
Ford Mustang V6 (11-14)	(95.490) x (86.70) / 226 CID	107.1 in	18 x 11	315	4.24, 2.54, 1.67, 1.24, 1.00, .70	3.31 or 3.55	(F) (316) x (30.0) Vented (R) (300) x (19.2) Vented	3300	The following parts are allowed: Ford Accessories Spoiler #AR3Z-6344210-CA Rear Axle Cover#M- 4033-K, max spring rate of 500 lbs/in front, 300 lbs/in rear (rear spring relocation to shock permit ted), Strut Tower Brace #M-20201-F, Sway bar Kit #M-5490, Jounce Bumper Kit # M-5570-A, Pan-hard Bar #M-4264-A,Rear Lower Control Arms #M- 5649-R1, Rear Upper Shock Mount #M-18197-A, Boss 302R Steering EPAS Steering rack #M-3200-EPAS, Boss 302R/SABS Module #M2353-C. 14" Brembo Brake Kit#M-2300-S permitted. Drive shaft from Alternate metallic driveshaft is allowed. Prothane front control arm bushings 6-220 and 6-218 and differential bushing 6-315 allowed. Cold air kit #JLT CAIFMV6-11 permitted. GT/CS Front Fascia #BR3Z-17626-AA, or CR3Z-17626-AB, GT/CS front bumper cover #AR3Z-17D957-BA, allowed if used with front fascia, GT/CS Rear Fascia #AR3Z-17F828-AA is permitted. Bushing kit M-5638-C, BBK Full Length header #1642 permitted. Griggs Torque Arm #MTA6000. <i>Upper grille fog lights may be removed and replaced with mesh or screen.</i>

T2	Bore x Stroke(mm)/ Displ. (cc)	Wheel-base (mm)	Max Wheel Size (inch)	Tire Size (max)	Gear Ratios	Final Drive	Brakes (mm)	Weight (lbs)	Notes:
Ford Mustang Boss 302 (12-13)	92.220 x 92.7 4957	2720	18 X 11 (F) 18 x 11 (R)	295	3.66, 2.43, 1.69, 1.32, 1.00, 0.65	3.73	(F) 355 x 32.1 Vented (R) 300 x 19.2 Vented	3500	The following parts are allowed: GT/CS Front Fascia #BR3Z-17626-AA, GT/CS Rear Fascia #AR3Z-17F828-AA, Ford Accessories Spoiler #AR3Z-6344210-CA, 14" Brembo Brake Kit #M-2300-S, Rear Axle Cover #M-4033-K, Spring Kit #M-5300-A (M-5310-A front, M-5560-A rear. Rear spring relocation to shock permitted with use of this kit), Strut Tower Brace #M-20201-S197, Swaybar Kit #M-5490-A, Jounce Bumper Kit # M-5570-A, Panhard Bar #M-4264-A, Rear Lower Control Arms #M-5649-R1, Rear Upper Shock Mount #M-18197-A. Ford Racing oil pan #M-6675-M50BR permitted. Alternate metallic driveshaft is allowed. Front bushing kit M-5638-C permitted. 56mm flat plate restrictor required. Maximum spring rate 500 lbs (front), 300 lbs (rear).
Ford Mustang GT 5.0L (11-14)	(92.220) x (92.7) / 4957	107.1	18 x 11	295	3.66, 2.43, 1.69, 1.32, 1.00, 0.65	3.31 3.73	(F) (355) x (32.1) Vented (R) (300) x (19.2) Vented	3500	The following parts are allowed: GT/CS Front Fascia #BR3Z-17626-AA, GT/CS Rear Fascia #AR3Z-17F828-AA, Ford Accessories Spoiler #AR3Z-6344210-CA, 14" Brembo Brake Kit #M-2300-S, Rear Axle Cover #M-4033-K, Spring Kit #M-5300-A (M-5310-A front, M-5560-A rear. Rear spring relocation to shock permitted with use of this kit), Strut Tower Brace #M-20201-S197, Swaybar Kit #M-5490-A, Jounce Bumper Kit # M-5570-A, Panhard Bar #M-4264-A, Rear Lower Control Arms #M-5649-R1, Rear Upper Shock Mount #M-18197-A. Ford Racing oil pan #M-6675-M50BR permitted. Alternate metallic driveshaft permitted. Front bushing kit M-5638-C permitted. 58mm flat plate restrictor required. Maximum spring rate 500 lbs (front), 300 lbs (rear). <i>Upper grille fog lights may be removed and replaced with mesh or screen.</i>
Ford Mustang GT 5.0L (15-17)	92.220 x 92.7 4957	107.0	19 x 11	295	3.66, 2.43, 1.69, 1.32, 1.00, 0.65 or 4.17, 2.34, 1.52, 1.14, 0.87, 0.69	3.31 3.73	(F) 355 (R) 330	3600	Ford Performance Handling Kit part #M-FR3A-M8, Sway Bars in M-FR3A-M8 kit part #M-5490-E or M5490-G, Rear Toe Bearing part #M-5A460-M, Ford Performance Radiator part #M-8005-M8, Strut Tower Brace part# M-20201-M, Camber Bolts M-3B236-A, Solid Differential Bushings part#M-4425-M, Short Shift Kit part#M- 7210-M8, Solid Subframe Bushings part#M- 5872-M, Dampers in Handling Pack part #M-18000-F, Ford OEM Performance Package Brembo front BBK and 380mm rotors permitted (Ford PN M-2300-V) at no weight penalty. 58mm flat plate restrictor required. 2014 Mustang GT exhaust manifolds permitted. Springs up to 800#/in front and rear permitted. Alternate metallic driveshaft permitted. Rear spring relocation to shock permitted with kit TBD. Ford Racing oil pan #M-6675-M50BR permitted.
Ford Mustang GT 5.0L (2018-)	92.220 x 92.7 / 4957	2718	19 x 11	295	3.66, 2.43, 1.69, 1.32, 1.00, 0.65 or 4.69, 2.98, 2.14, 1.76, 1.52, 1.27, 1.00, 0.85, 0.68, 0.63	3.31 3.73	(F) 355 (R) 330	3600	Ford Performance Handling Kit part #M-FR3A-M8, Sway Bars in M-FR3A-M8 kit part #M-5490-E or M5490-G, Rear Toe Bearing part #M-5A460-M, Ford Performance Radiator part #M-8005-M8, Strut Tower Brace part# M-20201-M, Camber Bolts M-3B236-A, Solid Differential Bushings part#M-4425-M, Short Shift Kit part#M- 7210-M8, Solid Subframe Bushings part#M- 5872-M, Dampers in Handling Pack part #M-18000-F, Ford OEM Performance Package Brembo front BBK and 380mm rotors permitted (Ford PN M-2300-V) at no weight penalty. 55mm flat plate restrictor required. 2014 Mustang GT exhaust manifolds permitted. Springs up to 800#/in front and rear permitted. Alternate metallic driveshaft permitted. Rear spring relocation to shock permitted with kit TBD. Ford Racing oil pan #M-6675-M50BR permitted.
Ford Mustang Coupe GT 5.0L DOHC (11-14) Restricted Prep. (Aluminum Block, Aluminum Heads), 4 valves per cylinder									Must conform to the AS rules.

T2	Bore x Stroke(mm)/ Displ. (cc)	Wheel-base (mm)	Max Wheel Size (inch)	Tire Size (max)	Gear Ratios	Final Drive	Brakes (mm)	Weight (lbs)	Notes:
Ford Mustang Coupe GT & Shelby GT 4.6L (05-10)	90.2 x 90.0 4601	2720	18 x 9	275	3.38, 2.00, 1.32, 1.00, 0.68	3.55 3.73	(F) 316 / 355 Vented Disc (R) 300 Vented Disc	3400	The following parts are allowed: Strut tower brace part #M20201-S197, Radiator #M-8005-S197, Ford Spring kit M-5300-K, sway barsM-5490-A,damper kit M-18000-A. Rear Lower Control Arm Kit # M-5649-R1, Rear Shock Mount Kit # M-18197-A, Jounce Bumper Kit # M-5570-A, Front Strut Mount # M-18183-C allowed. An Aluminum driveshaft is allowed. Rear Axle Cover #M-4033-K, Spring Kit #M-5300A (M-5310-A- Front, M5560-A Rear), Strut Tower Brace #M- 20201-S197, Swaybar Kit #M-5490, Jounce Bumper Kit # M-5570-A, Panhard Bar #M-4264-A, Rear Lower Control Arms #M-5649-R1, Rear Upper Shock Mount #M-18197-A (Rear spring relocation to shock permitted with use of this kit). Alternate metallic driveshaft is allowed. Prothane front control arm bushings 6-220 and 6-218 and differential bushing 6-315 allowed.
Ford Mustang Coupe GT & Shelby GT 5.0L (05-10)	(92.220) x (92.7) (4957)	2720	18 x 10	295	3.38, 2.00, 1.32, 1.00, 0.68	3.55 3.73	(F) 316 / 355 Vented Disc (R) 300 Vented Disc	3480	The following parts are allowed: Strut tower brace part #M20201-S197, Radiator #M-8005-S197, Ford Spring kit M- 5300-K, sway bars M-5490-A, damper kit M-18000-A. 05-10 Mustang GT 4.6L may be converted to 11-14 5.0 liter specifications. If converting to the 11-14 5.0 engine, car must use the 11-14 spec line in its entirety (notes, weight, restrictor, etc.) no mixing and matching. VIN number will be disregarded for this conversion. Maximum spring rate 500 lbs (front), 300 lbs (rear).
Ford Mustang Ecoboost 2.3 (2015-)	87.55 x 94.0 2300	2717	19 x 11	295	4.24, 2.54, 1.67, 1.24, 1.00, 0.70 or 4.17, 2.34,1.52, 1.14,0.87, 0.69 or 4.69, 2.98, 2.14, 1.76, 1.52, 1.27, 1.00, 0.85, 0.68, 0.63	3.31 3.55 3.73 3.55 w/auto	(F) 355 (R) 330	3400	Ford Performance Handling Kit part #M-FR3A-M8, Sway Bars in M-FR3A-M8 kit part #M-5490-E or M5490-G, Rear Toe Bearing part #M-5A460-M, Ford Performance Radiator part #M-8005-M8, Strut Tower Brace part# M-20201-M, Camber Bolts M-3B236-A, Solid Differential Bushings part#M-4425-M, Short Shift Kit part#M- 7210-M8, Solid Subframe Bushings part#M- 5872-M, Dampers in Handling Pack part #M-18000-F. 50mm TIR required. SpeedFactory Intercoler, part # SF-55-002 permitted. BMR rear upper control arm camber links part #UTCA064 permitted. Performance Package Brembo front BBK and 380mm one-piece rotors permitted (Ford PN M-2300-V). Optional: 6 speed automatic transmission (with paddle shifters).
Ford Spec Mustang								3400	Must meet all requirements of Spec Mustang rules located in the Appendices. Cars must Comply with all SCCA T2 graphics and marking rules, including the posting of minimum weight. It is the responsibility of the driver to declare if its running under T2 rules or SMG rules - no mixing between rules.
Honda Civic Type-R (2017-)	86.0 x 85.9 1996	2700	20 x 10	295	3.62, 2.11, 1.53, 1.12, 0.91, 0.73	4.11	(F) 351 x 32 Vented Disc (R) 305 x 11 Solid	3000	HPD CAT Delete pipe 18150-F23S-R6; HPD 4th Gear Set 23460-F23S-R6; HPD Differential 41100-F23S-R6; HPD RR Damper Mount 52670-F23S-A6; HPD RR Spring Adjuster 52691-F23S-A6; HPD Adjustable RR Upper Arm 52390-F23S-A6; HPD ABS Modulator 57100-F23S-R6; 51mm TIR required. Alternate grill Cuztom Tuning FG-CIV16-V3-TR-BK allowed. Any sway bar front/rear up to 30mm allowed. Front springs up to 800lb allowed, rear springs up to 2000lb allowed, Aftermarket Intercoler allowed. PRL Air intake allowed #PRL PRL-HCR-INT-HV1. 2020+ model years allowed part #45251-TGH-A01 with a 25lb penalty.
Honda Civic (2017-)	73.0 x 89.5 1498		18 x 8	255	3.64, 2.08, 0.36, 1.02, 0.83, 0.69	4.10	(F) 312 x 25 Vented Disc (R) 282 x 10 Solid Disc	2750	HPD CAT Delete pipe 18150-F23S-A6, HPD Flywheel 22100-F23S-A6, HPD FR HPD 4th Gear Set 23460-F23S-A6, HPD Differential 41100-F23S-A6, HPD Flywheel 22100-F23S-A6, Offset Ball joint 51220-F23S-A6, HPD RR Damper Mount 52670-F23S-A6, HPD Spring FR 2.5" 550LB 51401-FC4Y-A6, HPD Spring RR 2.5" 800LB 52441-FC4Y-A6, HPD Adjustable RR Upper Arm 52390-F23S-A6, HPD TCA ABS modulator permitted part #57100-F23S-A6 to disable stability and traction control, HPD Caster Adapter 51945-F23S-A6, HPD TCA brake kit, part #45025-F23S-A6 permitted +100lb.

T2	Bore x Stroke(mm)/ Displ. (cc)	Wheel-base (mm)	Max Wheel Size (inch)	Tire Size (max)	Gear Ratios	Final Drive	Brakes (mm)	Weight (lbs)	Notes:
Mitsubishi Lancer Evo 8/9 / RS / GSR / MR (03-06)	85.0 x 88.0 1997	2624	18 x 10	295	2.93, 1.95, 1.41, 1.03, 0.72 or 2.91, 1.94, 1.43, 1.10, 0.87, 0.69	4.53	(F) 320 / 350 Vented Disc (R) 300 / 330 Vented Disc	3350	AMS front and rear springs #AMS-SCCA01 or #AMS-SCCA02 including Genesis Technologies 2" spacer allowed. Max spring rate (F) 800lbs./in, (R) 900 lbs./in. Alternate AMS front sway bar permitted #AMS-SCCA-SBF02, alternate rear sway bar permitted #AMS-SCCA-SBR02. Evo X brakes allowed. AMS Mitsubishi Lancer Evo VII/VIII/IX Front Mount Intercooler allowed. Turbocharger part number FPEV0971CHRA allowed. Moroso PN 20967 MITSUBISHI EVO 7 8 9, Road Race Baffled allowed. Buschur Racing Part# EVO-31023 permitted.
Mitsubishi Lancer Evo X / GSR / MR (08-11)	86.0 x 86.0 1998	2650	18 x 10	295	2.86, 1.95, 1.44, 1.10, .76 or 3.66, 2.37, 1.75, 1.32, 1.01, .78,	4.69 4.06	(F) 350 Vented Disc (R) 330 Vented Disc	3500 with/or/ without paddle shifter	AMS front and rear springs SCCA01-EVO X – AMS. 2" Genesis Technologies spacers allowed. Alternate AMS front sway bar permitted #SCCA-SBF02 EVO X, alternate rear sway bar permitted #SCCA-SBR02 EVO X. Max spring rate (F) 800 lbs/in, (R) 900 lbs/in. AMS 2008+ Evo X FMIC Kit W/Logo/A0044A-2B Allowed. AMS 2008+ Evo X FMIC Kit w/Logo/A0044A-2B allowed.
Nissan 350Z Track/ Touring/ Standard/ Nismo Spec Z (03-08)	95.5 x 81.4 3498	2649	18 x 10.5	295	3.79, 2.32, 1.62, 1.27, 1.00, 0.79	3.54	(F) 296/324 Vented Disc (R) 292/323 Vented Disc	DE Motor: 3100 HR Motor: 3100	Nissan Motorsports: Shock Front left P/N E6110-SZ350 & Front right E6111-SZ350 & rear E6210-SZ350, Springs front P/N 54010-SZ350 & rear 55020-SZ350, F&R 5600S-SZ350, Front roll bar #54611-SZ350, Rear roll bar #562300-SZ350, Bushings P/N (54541, 54560, 55045, 55148, 55149, 55152, 55153, 55158, 56218) - RRZ30 allowed. Nismo flywheel permitted. SPC Control Arms 72125 and 72123 are allowed. Aftermarket flywheel permitted at minimum 14lbs. Aftermarket headers permitted, cold air intake permitted. Aftermarket big brake kit 4 piston front permitted up to 355x32 SPL pro V3 front upper camber caster control arms for the 350z part# SPLFUAZ33 permitted. SPL rear toe links part# SPL RTA Z33 permitted. Stilen part #400338 permitted. 44011-RC350 rear caliper kit permitted, 43206-SZ350 Right rotor permitted, 43207-SZ350 Left rotor permitted. Must conform to all SpecZ 2018 Edition rules. No other touring allowances beyond 2018 SpecZ edition rules or allowances listed here.
Nissan 370Z (09-17) / 370Z NISMO Edition (09-17)	95.5 x 86.0 3696	2550	19 x 10	295	3.79, 2.32, 1.62, 1.27, 1.00, .79	3.69	(F)320 x 28 Vented (R)320 x 16 Vented	3100	5300S-SS370 T-2 spring kit allowed; 54600-SS370 T-2 front and rear sway bar kit allowed. Sports Package is allowed. Springs up to 1000 lbs/in front and rear allowed. 54010-SZ350 (F) and 55020-SZ350 (R) allowed. Cold Air Intake allowed. Header permitted - Part # 14002-SS370. Rear spring relocation permitted to allow coil over shocks. SPL suspension kit permitted that includes: rear camber arms #SPL RLL Z34, SPL rear toe arms #SPL RTA Z34, SPL rear traction arms #SPL RTR Z34, SPL front camber arms #SPL FUA Z34, SPL rear mid link #SPL RML Z34. Zspeed and Z1 alternative clutch slave permitted. The following STOPTECH parts are allowed with a 50 Lb penalty: #83.488.6800.51 front, 83.657.0057.51 rear.
Pontiac Firebird (98-02)	99.0 x 92.0 5666	2568	18 x 10	295	2.66, 1.78, 1.30, 1.00, 0.74, 0.50	3.42	(F) 355 Vented Disc (R) 340 Vented Disc	3250	Power steering cooler (option code V12) is permitted. Severn Canton accucump part #CA24024 or CA24006, along with Electric solenoid W/ epc #CA24273, Accucump Check Valve #CA2428, and Wheel to Wheel Adapter block # 0760-50001, and related hoses and mounting brackets are permitted. Z28 can use original hood. Strano Performance Camaro Track Package (Part #SP- 141, Spring Set (550# Front/150#Rear); Part #SP-8316. Front Sway Bar (1-3/8" or 35mm); Part #SP-8327, Rear Sway Bar (7/8" or 22mm); Part #UMI-2006, Strut Tower brace, 2 pt, 1.25" OD) permitted. Springs up to 800#/in front and rear allowed. Cold Air Intake allowed. 4 piston front and rear brake calipers allowed. WS6 or Firehawk hood allowed. Torque arm, panhard bar, and panhard bar relocation brackets from Unbalanced Engineering allowed. 4 Piston front and rear brake calipers allowed. Spring relocation to shock permitted.
Pontiac Solstice GXP Coupe / Convertible (07-09)	85.3 x 86.1 1998	2415	18 x 9.5	295	3.75, 2.26, 1.51, 1.00, .73	3.73	(F) 296 Vented Disc (R) 278 Solid Disc	2950	Detachable hardtop GM part #PCS-0664 may be installed (If a hardtop is used, latches shall be replaced with positive fasteners and convertible top shall be removed). Suspension option ZOK and Rear Spoiler (D52) allowed. Brake calipers and rotors from Chevrolet Cobalt SS (08-09) permitted. Any aftermarket top allowed, if material, size, shape and weight are the same as the factory top. Hahn HIC-1150 or Dejon FIC-SSA Intercooler allowed. Maximum spring rate 800 lb/inch for coil over type spring permitted. Any 2-piece rotor allowed. Any aftermarket 4-piston caliper allowed. Any OEM GM 6-piston caliper allowed.

T2	Bore x Stroke(mm)/ Displ. (cc)	Wheel-base (mm)	Max Wheel Size (inch)	Tire Size (max)	Gear Ratios	Final Drive	Brakes (mm)	Weight (lbs)	Notes:
Porsche 911/ 997.1 (06-08)	3.78 in. (96 mm) x 3.26 in. (82.8 mm) 3600	2355	18 x 8.5 (F) 18 x 11 (R)	255 (F) 315 (R)	3.82, 2.15, 1.56, 1.21, 1.00, 0.85	3.44	(F) 318 Vented Disc (R) 299 Vented Disc	3200	Ducting for coolers is free, provided it doesn't change size and/or shape of factory body panels. Ducting of air to rotors is allowed. Removal of rotor dust shields is allowed. Tender springs 60-60-25, and spring holders ZT-1-X002A01 allowed. Springs up to 800#/in front and 1000 #/in rear allowed. Sway bar size and configuration is free. Camber adjustment slots may be elongated. Porsche Motorsport front and rear control arms allowed. OEM rear deck lid required. OE Porsche GT3 Cup front fascia number "997-505-980-97-G2X FRONT BUMPER GT3 CUP" or equivalent aftermarket allowed (+75lb). GT3 Cup splitter not allowed. Alternate exhaust manifold Cargraphicts CARP97DFIFKR allowed.
Porsche 911 / 996 (98-05)	96.0 x 78.0 3400 3.78 in. (96 mm) x 3.26 in. (82.8 mm) 3600	2454	18 x 8.5 (F) 18 x 11 (R)	255 (F) 315 (R)	3.82, 2.20, 1.52, 1.22, 1.02, 0.84	3.44	(F) 318 Disc (R) 299 Disc	3600: 3150 3400: 3000	Ducting for coolers is free, provided it doesn't change size and/or shape of factory body panels. Springs up to 800#/in front and 1000 #/in rear allowed. Ducting of air to rotors is allowed. Tender springs 60-60-25, and spring holders ZT-1-X002A01 allowed. Removal of rotor dust shields is allowed. Sway bar size and configuration is free. Spoilers & bumper/airdams are free provided they do not exceed the max. body width by any amount and/or the max. body length by more than 1". Rear wings may be no higher than the roofline. Camber adjustment slots may be elongated. Porsche Motorsport front and rear control arms allowed. Cold air intake allowed.
Porsche 911 / Carrera S 997.2 (09-12)	99.0 x 82.8 (3824)	2355	18 x 8.5 (F) 18 x 11 (R)	255 (F) 315 (R)	3.91, 2.32, 1.56, 1.28, 1.08, 0.88	3.44	(F) 330 x 34 Vented (R) 330 x 28 Vented	3300	60mm flat plate restrictor required. Restrictor must be placed in the front of the factory engine air intake manifold opening. The plate must seal the opening so that all air entering passes through the restrictor. Ducting for coolers is free, provided it doesn't change size and/or shape of factory body panels. Ducting of air to rotors is allowed. Removal of rotor dust shields is allowed. Tender springs 60-60-25, and spring holders ZT-1-X002A01 allowed. Springs up to 800#/in front and 1000 #/in rear allowed. Sway bar size and configuration is free. Camber adjustment slots may be elongated. Porsche Motorsport front and rear control arms allowed. PDK transmission permitted at +100lbs. Alternate exhaust manifold Cargraphicts CARP97DFIFKR allowed. OEM rear deck lid required. OE Porsche GT3 Cup front fascia number "997-505-980-97-G2X FRONT BUMPER GT3 CUP" or equivalent aftermarket allowed (+75lb). GT3 Cup splitter not allowed.
Porsche Carrera S 997.2 (06-08)	99 x 82.8 3824	2355	18 x 8.5 (F) 18 x 11 (R)	255 (F) 315 (R)	3.82, 2.20, 1.52, 1.22, 1.02, .84	3.44	(F) 330 x 34 Vented (R) 330 x 28 Vented	3225	60mm flat plate restrictor required. Ducting for coolers is free, provided it doesn't change size and/or shape of factory body panels. Ducting of air to rotors is allowed. Removal of rotor dust shields is allowed. Tender springs 60-60-25, and spring holders ZT-1-X002A01 allowed. Springs up to 800#/in front and 1000 #/in rear allowed. Sway bar size and configuration is free. Camber adjustment slots may be elongated. Porsche Motorsport front and rear control arms allowed.
Porsche 911 / 997.2 GTS (09-12)	99.0 x 82.8 (3824)	2355	18 x 8.5 (F) 18 x 11 (R)	255 (F) 315 (R)	3.91, 2.32, 1.56, 1.28, 1.08, 0.88	3.44	(F) 330 x 34 Vented (R) 330 x 28 Vented	3400	60mm flat plate restrictor required. Restrictor must be placed in the front of the factory engine air intake manifold opening. The plate must seal the opening so that all air entering passes through the restrictor. Ducting for coolers is free, provided it doesn't change size and/or shape of factory body panels. Ducting of air to rotors is allowed. Removal of rotor dust shields is allowed. Tender springs 60-60-25, and spring holders ZT-1-X002A01 allowed. Springs up to 800#/in front and 1000 #/in rear allowed. Sway bar size and configuration is free. Camber adjustment slots may be elongated. Porsche Motorsport front and rear control arms allowed. PDK transmission permitted at +100lbs. Alternate exhaust manifold Cargraphicts CARP97DFIFKR allowed. GTS rear wing must be removed.

T2	Bore x Stroke(mm)/ Displ. (cc)	Wheel-base (mm)	Max Wheel Size (inch)	Tire Size (max)	Gear Ratios	Final Drive	Brakes (mm)	Weight (lbs)	Notes:
Porsche Cayman S (06-08)	96.0 x 78.0 3387	2416	18 x 9 (F) 18 x 10 (R)	255 (F) 315 (R)	3.31, 1.95, 1.41, 1.13, 0.97, 0.82	3.88	(F) 318 Vented and Cross-drilled (R) 299 Vented and Cross-drilled	3000	Ducting for coolers is free, provided it doesn't change size and/or shape of factory body panels. Springs up to 800#/in front and 1000 #/in rear allowed. Ducting of air to rotors is allowed. Removal of rotor dust shields is allowed. Sway bar size and configuration is free Spoilers & bumper/airdams are free provided they do not exceed the max. body width by any amount and/or the max. body length by more than 1". Rear wings may be no higher than the roofline. Camber adjustment slots may be elongated. Porsche Motorsport rear and front control arms allowed.
Porsche Cayman S, Spyder (10-12)	96.0 x 78.0 3387	2416	18 x 9 (F) 18 x 10 (R)	255 (F) 315 (R)	3.31, 1.95, 1.41, 1.13, 0.97, 0.82	3.88	(F) 318 Vented and Cross-drilled (R) 299 Vented and Cross-drilled	3100	Ducting for coolers is free, provided it doesn't change size and/or shape of factory body panels. Springs up to 800#/in front and 1000 #/in rear allowed. Ducting of air to rotors is allowed. Porsche motorsports item # 9913140158C allowed. Stop Tech calipers #83.788.6700.R1 (f) #83.799.0046.R1 (r) allowed. Porsche motorsports item # 9913140158C allowed. Stop Tech calipers #83.788.6700.R1 (f) #83.799.0046.R1 (r) with 343 mm front rotor allowed. Removal of rotor dust shields is allowed. Spoilers & bumper/airdams are free provided they do not exceed the max. body width by any amount and/or the max. body length by more than 1". Rear wings may be no higher than the roofline. Sway bar size and configuration is free Camber adjustment slots may be elongated. Porsche Motorsport rear and front control arms allowed. PDK allowed.
Porsche Cayman S/ GTS (13-15)	97 x 77.5 3400	2474	18 X 9 (F) 18 x 11 (R)	255 (F) 315 (R)	3.31, 1.95, 1.41, 1.13, 0.95, 0.81	3.89	(F) 330 x 28 Vented (R)299 x 20 Vented	3150	Ducting for coolers is free, provided it doesn't change size and/or shape of factory body panels. Springs up to 800#/ in front and 1000 #/in rear allowed . Ducting of air to rotors is allowed. Removal of rotor dust shields is allowed. Spoilers & bumper/air dams are free provided they do not exceed the max. body width by any amount and/or the max. body length by more than 1". Rear wings may be no higher, relative to the roofline, than a factory, non-extended, 3.8 RSR wing. Sway bar size and configuration is free Camber adjustment slots may be elongated. Porsche Motorsport rear and front control arms allowed. PDK allowed
Porsche Spec Cayman	96.0 x 78.0 3387	2416	18 x 9 (F) 18 x 10 (R)	245 (F) 295 (R)	3.31, 1.95, 1.41, 1.13, 0.97, 0.82	3.88	(F) 318 Vented and Cross-drilled (R) 299 Vented and Cross-drilled	2925	Must conform to all SPC rules in the PCA rulebook. Each competitor shall have available definitive current documentation of the PCA rules. Spec Cayman tires permitted per Spec Cayman rules. Must use DOT tires. No other touring allowances permitted.
Saturn Sky / Convertible (07-09)	85.3 x 86.1 1998	2415	18 x 9.5	295	3.75, 2.26, 1.51, 1.00, 0.73	3.73	(F)296 Vented (R)278 Solid	3000	Detachable hardtop GM part #PCS-0664 may be installed (if a hardtop is used, latches shall be replaced with positive fasteners and convertible top shall be removed). Suspension option ZOK and Rear Spoiler (D52) allowed. Brake calipers and rotors from Chevrolet Cobalt SS (08-09) permitted. Any aftermarket top allowed, if material, size, shape and weight are the same as the factory top. Hahn HIC-1150 or Dejon FIC-SSA Intercooler allowed.
Subaru Impreza WRX STi (03-07)	99.5 x 79.0 2457	2540	18 x 10	295	3.64, 2.38, 1.76, 1.35, 0.97, 0.76	3.9	(F) 323 Vented Disc (R) 313 Vented Disc	3300	The following parts are allowed: Phoenix Performance brake duct kit # IPBK01. AMS front and rear springs #AMS-SCCA-STiST1 allowed. Front Sway bar Whiteline PN #BSF36XXZ and Rear Sway bar Whiteline PN #BSF37XZ allowed. Racecomp Brake duct kit part #RCE-CFKBK is allowed. Baldwin Motors spring package part BMI-T2SP1, permitted. Max spring rate (F) 800 lbs/in, (R) 900 lbs/in. Aftermarket Intercooler allowed.
Subaru Impreza WRX STi (08-11)	99.6 x 79.0 2457	2624	18 x 10	295	3.64, 2.24, 1.52, 1.14, 0.97, 0.76	3.90 Front 3.55 Rear	(F)326 Vented (R)316 Vented	3300	800 lbs/in front springs, 900 lbs/in rear springs, 25mm front sway bar, 22mm rear sway bar permitted. Cold air intake allowed. Aftermarket Intercooler allowed.
Toyota Supra (2020-)	82.0 / 94.6 2998	2469	19 x 10	295	5.25, 3.36, 2.17, 1.72, 1.32, 1.00, 0.82, 0.64	3.15	(F) 348 mm (R) 330 mm	3450	40mm TIR required, Sway bars allowed 30mm (f) 25mm (r). Springs allowed 800# max (f) 1000 max (r).

T3	Bore x Stroke(mm)/ Displ. (cc)	Wheel-base (mm)	Max Wheel Size (inch)	Tire Size (max)	Gear Ratios	Final Drive	Brakes (mm)	Weight (lbs)	Notes:
Acura TL SH-AWD (09-13)	90.065 x 96.1 3664	2776	19 X 9	275	3.63, 2.12, 1.53, 1.13, 0.85, 0.69	3.84	(F) 320 x 28 Vented (R) 334 x 11 Solid	3550	1000 lb/in springs maximum permitted (F&R), part numbers H&R R25081000 or RF200180 or Eibach 0800.225.1000. 24mm rear anti-sway bar permitted, part number Progress 62.0111. The glass sunroof must be replaced with a metal panel; the panel must be the same thickness as the roof material; the panel must retain the shape of the glass sunroof and must be painted in body color.. Brake package may include the following StopTech part numbers: 36.061.7419, 39R.061.7413, 39R.061.7414, 31.737.1101.87, 31.737.1102.87, 379.438.8131, 379.438.8132. 50mm flat plate restrictor required.
Alfa Romeo 4C (2015-)	83.0 x 80.5 1742	2380	17 x 7 (F) 18 x 8 (R)	245	4.15, 2.27, 1.44, 0.98, 0.76, 0.62	4.12	(F) 305mm vented (R)292mm vented	2300	The floor may be modified to facilitate the roll cage mounting points. The factory roll hoop shall be replaced with a single continuous hoop. Rear cage braces may pass through rear window. 31mm turbo inlet restrictor required. Launch Edition allowed.
Audi S4 (10-11)	84.5 x 89.0 2995	2809	18 X 9	275	3.68, 2.16, 1.52, 1.13, 0.92, 0.78	3.88	(F) 345 Vented (R) 330 Vented	3725	40mm flat plate restrictor required. S tronic transmission permitted at 3480 lbs. Ratios: 3.88, 2.24 ,1.56, 1.18, 0.92, 0.75, 0.62. Max spring rate 800#/in. front and rear. F sway bar 30mm, rear sway bar 24mm SPC front upper arms 81360. Brake dust shields L&R part #3D0615311C and #3D0615312C are permitted. Air guide L&R part #3D0615447E and #3D0615448E are permitted.
Audi S4 (12-14)	84.5 X 89.0 2995	2809	19 x 9	275	3.68, 2.16, 1.52, 1.13, 0.92, 0.78	3.88	(F) 345 Vented (R) 330 Vented	3725	40mm flat plate restrictor required. S tronic transmission permitted at 3725 lbs. Ratios: 3.88, 2.24, 1.56, 1.18, 0.92, 0.75, 0.62. Max spring rate 800#/in. front and rear. F sway bar 30mm, rear sway bar 24mm SPC front upper arms 81360. Brembo brake Kit PN: 3K2.8032A permitted. 2-Piece rotors max diameter 345 mm permitted. 19x10 wheels allowed + 100 lbs. Q5 OEM brake calipers, part #8R0615107G and 8R0615108G permitted. Brake dust shields L&R part #3D0615311C and #3D0615312C are permitted. Air guide L&R part #3D0615447E and #3D0615448E are permitted.
Audi S5 (13-14)	84.5 x 89.0 2995	2751	19 x 9	275	3.68, 2.16, 1.52, 1.13, 0.92, 0.78	3.68	(F) 345 Vented (R) 330 Vented	3725	40mm flat plate restrictor, 800 max F&R spring rate. F sway bar 30mm, rear sway bar 24mm SPC front upper arms 81360 S tronic transmission permitted at 3725 lbs. Ratios: 3.88, 2.24 ,1.56, 1.18, 0.92, 0.75, 0.62. Brembo brake Kit PN: 3K2.8032A permitted. 2-Piece rotors max diameter 345 mm permitted. 19x10 wheels allowed + 100 lbs. Q5 OEM brake calipers, part #8R0615107G and 8R0615108G permitted. Brake dust shields L&R part #3D0615311C and #3D0615312C are permitted. Air guide L&R part #3D0615447E and #3D0615448E are permitted.
Audi TTS Coupe (10-11)	82.5 x 92.8 1984	2468	18 X 9	255	2.92, 1.96, 1.40, 1.03, 1.08, 0.87	4.77 (1-4) 3.44 (5-6)	(F) 340 Vented (R) 310 Vented	3200	28mm turbo inlet restrictor required. Max spring rate 600#/in front and rear.
BMW E36 M3 (96-00)	86.4 X 89.6 3152	2700	18 x 8.5	245	4.20, 2.49, 1.66, 1.25, 1.00	3.64	(F) 315 (R) 312	3100	Up to 850 lb. springs. Alternate swaybars allowed, 35mm front, 27mm rear.
BMW E36 M3, BMWCCA I Sport (96-00)	86.4 X 89.6 3152	2700	18 x 8.5	245	4.20, 2.49, 1.66, 1.25, 1.00	3.64	(F) 315 (R) 312	3100	Must be compliant to BMWCCA I sport rules, July 2018.
BMW M3 (01-06)	87.0 x 91.0 3246	2731	18 x 9	275	4.23, 2.53, 1.67, 1.23, 1.00, 0.83	3.62	(F) 325 x 28 Vented Disc (R) 328 x 20 Vented Disc	3325	Factory paddle shifter is permitted. Front sway bar #TMSF23.235, rear sway bar #TMSR23.327. Euro Header part #11 62 7 833 500 and 62 7 833 501 allowed. 50mm flat plate restrictor required. Restrictor must be placed in the front of the factory engine air intake manifold opening. The plate must seal the opening so that all air entering passes through the restrictor. Allow 600 lb max front and 650 lb max rear springs. Alternate rear lower control arm part #TSU9940B77 allowed.

T3	Bore x Stroke(mm)/ Displ. (cc)	Wheel- base (mm)	Max Wheel Size (inch)	Tire Size (max)	Gear Ratios	Final Drive	Brakes (mm)	Weight (lbs)	Notes:
BMW 135i (08-10)	84.0 x 89.6 2979	2761	18 x 9	(F) 245 (R) 275	4.00, 2.40, 1.58, 1.19, 1.00, 0.87 DCT only: 4.78, 3.06, 2.15, 1.68, 1.39, 1.20, 1.00	3.08 DCT only: 2.56	(F) 348 Vented Disc (R) 336 Vented Disc	3400	ZSP suspension package allowed. Sport seat package allowed. (2) 25mm Turbo Inlet Restrictor required. Max spring rate 600#/in front and rear. DCT transmission permitted with 30lb. penalty.
BMW 228i (14-17)	82.0 x 94.6 1998	2960	18 x 8.5	245	4.71, 3.14, 2.11, 1.67, 1.29, 1.00, 0.84, 0.67	3.08	(F) 340 (R) 345	3200	32mm TIR required.
BMW 320i (14-15)	83.8 x 88.9 1997	2819	18 x 10	(F) 255 (R) 275	3.50, 2.01, 1.31, 1.00, 0.81, 0.70	3.08	(F) 313 (R) 300	3050	36mm TIR required. 800 lb springs allowed. Sway bars up to 32mm. Sport Package (except wheels) allowed. GFB T9357 aluminum diverter valve allowed.
BMW 323Ci/Is (98-00) (11/1/2021)	84.1 x 75.0 2494	2700	18 x 8.5	245	4.23, 2.52, 1.66, 1.22, 1.00	2.93	(F) 286 (R) 276	3100 3000	Up to 850lb. springs F/R permitted, 27MM front sway bar, 24mm rear sway bar permitted. Header permitted.
BMW 335i (07-10)	84.0 x 89.6 2979	2761	18 x 9	(F) 245 (R) 275	4.00, 2.40, 1.58, 1.19, 1.00, 0.87	3.08	(F) 348 Vented Disc (R) 336 Vented Disc	3350	ZSP suspension package allowed. Sport seat package allowed. (2) 25mm Turbo Inlet Restrictor required. Max spring rate 600#/in front and rear.
BMW 330i/Ci (01-06)	84.0 x 89.6 2979	2726	17 x 9	245	4.21, 2.45, 1.66, 1.24, 1.00	2.93	(F) 325 x 28 Vented Disc (R) 325 x 20 Vented Disc	3125	Max spring rate 800#/in front and rear. 27mm F max, 24mm R max sway bars are permitted.
BMW 330i (06-12)	85.0 x 88.0 2996	2760	18 x 9	245	4.32, 2.46, 1.66, 1.23, 1.00, 0.85	3.15	(F) 330 (R) 336	3200	H&R #7049071490 allowed, 600 # springs allowed, 27mm front sway bar allowed, 24 mm rear sway bar allowed.
BMW SpecE46								2950	Must conform to all SpecE46 rules Version 2.7. SpecE46 spec tire permitted or any DOT permitted up to 225 permitted. No other touring allowances permitted. Engines may not be modified unless specified in the Spec E46 rules and must conform to touring tech procedures. Driver must possess a current copy of the rules. Dyno results do not ensure engine compliance.
BMW Z3 M & Coupe (98-99)	86.4 x 89.6 3152	2446	17 x 9	245	4.21, 2.49, 1.66, 1.24, 1.00	3.23	(F) 315 vented (R) 312	3150	Whiteline KSB536 Strut Tower Brace allowed. Springs up to 800 lbs. F/R allowed. Front sway max diameter 30mm. Rear sway bar max diameter 20mm.
BMW Z4 3.0L (03-04)	84.1 x 89.7 2986	2494	17 x 8	245	4.35, 2.50, 1.66, 1.24, 1.00, 0.85	3.07 or 3.46	(F) 300 Vented Disc (R) 294 Vented Disc	3000	Springs to 600lb F 650lb R allowed. Sway bars up to 27mm F and up to 24mm R allowed.
BMW Z4 M Coupe (06-08)	87.0 x 91.0 3246	2497	18 x 9	275	4.35, 2.50, 1.67, 1.23, 1.00, 0.85	3.62	(F) 345 Vented Disc (R) 328 Vented Disc	3275	Euro manifold part #11 62 7 833 500 and 62 7 833 501 allowed. Ground control # MZ4Swaybar set permitted. 48mm flat plate restrictor required. Restrictor must be placed in the front of the factory engine air intake manifold opening. The plate must seal the opening so that all air entering passes through the restrictor. Allowance of 800 lb max front, 850 lb max rear. M3 front lower control arms 31122229453 left, 31122229454 right. E46 M3 front lower control arms allowed: 31122229453 left, 31122229454 right. May ream upright for installation of larger joint. Alternate rear lower control arm part #TSU9940B77 allowed.
BMW Z4 3.0si Coupe (07-08)	85.1 x 87.9 2996	2495	18 x 9	245	4.35, 2.50, 1.66, 1.23, 1.00, 0.85	roadster: 3.23 coupe: 3.46.	(F) 325 x 12.8 Vented Disc (R) 294 x 11.6 Solid Disc	3200	Rear spring height adjusters: Turner #HR92-K-X-011A01; H&R sway bar kits: front 70276 27mm, rear 71276 21mm. Max spring rate F: 600lbs, R: 650lbs.

T3	Bore x Stroke(mm)/ Displ. (cc)	Wheel- base (mm)	Max Wheel Size (inch)	Tire Size (max)	Gear Ratios	Final Drive	Brakes (mm)	Weight (lbs)	Notes:
Cadillac ATS (2015)	86.0 x 86.0 1998	2775	18 x 9	275	4.12, 2.62, 1.81, 1.30, 1.00, .080	3.27	(F) 321 (R) 315	3250	32mm TIR required. GM 23497689 package springs allowed. 23315239 sway bars allowed. Lower front bumper running lights/ decorative bars removal allowed.
Chevrolet Camaro (2016)	95.1 x 85.8 3649	2811	20 x 10	275	4.40, 2.59, 1.80, 1.34, 1.00, 0.75	3.27	(F) 321 (R) 315	3500	2016 Camaro Lowering kit - GM part# 84004131 Brembo Performance front brake package, GM part# 23245470 Lower control arm brake deflector kit, GM part# 23508024 Fuel Tank retrofit kit, GM part #s: 23421808, 23377983, 23483014, 11547629 Track cooling package, GM part# RPO Y4Q Accessory grille, GM part# 84010106 Front fascia extension, GM part# 23301618 55mm restrictor required.
Chevrolet Camaro V6 (10-15)	94.0 x 85.6 3564	2853	18 x 9	275	4.48, 2.58, 1.63, 1.19, 1.00, 0.75	3.27	(F)337 x 30 Vented Disc (R) 315 x 23 Vented Disc	3400	800lb max spring F&R. SS front fascia, spoiler allowed. 1LE-SS Track Pack permitted part #23123398 . Tower Brace 22756880, red. TPR rear upper shock mount #22122, Pfadt lower control arm reinforcement # 1410135, # 009-92200, Brake Kit SS (p/n 23120542) For 2011 cars adaptor kit p/n (23484878).
Chevrolet Camaro V6 (2016-)	95.1 x 85.8 3649	2811	18 x 10	275	4.40, 2.60, 1.80, 1.34, 1.00, 0.75	3.27	(F) 321 x 30 Vented Disc (R) 315 x 23 Vented Disc	3500	54mm flat plate restrictor required.
Chevrolet Camaro V6 1LE (2016-)	95.1 x 85.8 3649	2811	18 x 10	275	4.40, 2.60, 1.80, 1.34, 1.00, 0.75	3.27	(F) 321 x 30 Vented Disc (R) 315 x 23 Vented Disc	3500	50mm restrictor required.
Chevrolet Camaro LT-14 Turbo 1LE (2016-)	86.0 x 86.0 1998	2811	18 x 10	275	4.40, 2.59, 1.80, 1.34, 1.00, .75	3.27	(F) 320 (R) 314	3450	Any swaybar 30mm front, 28mm rear allowed. 35mm TIR required.
Chevrolet Cobalt (05-07)	86.0 x 86.1 1998	2629	18 X 8	245	3.38, 1.76, 1.18, 0.89, 0.71	4.05	(F) 296 Vented Disc (R) 270 Solid Disc	3100	The following GM parts are allowed: front springs part # CCS635, rear springs # CCS639, front control arms # CCS636 and CCS637, shrouding kit # CCS644. Griffin radiator #9D-18194-01 allowed. Stage Three Supercharger kit, part #88958719 permitted. Optional rear sway bar max 42 mm (body and suspension mounting same as OEM). AEM cold-air intake (part #21-532C) is permitted. Any spring up to a maximum spring rate of 800 pounds may be used Brake calipers and rotors from Chevrolet Cobalt SS (08-10) permitted.
Chevrolet Cobalt SS (08-10)	85.3 x 86.1 1998	2631	18 x 8	245	3.38, 1.76, 1.18, 0.89, 0.70	3.82	(F) 315 Vented Disc (R) 292 Solid Disc	3050	Rear sway bar max 42mm (body and suspension mounting same as OEM), GM Part #55206797 sensor allowed, Any spring up to a maximum spring rate of 800 pounds may be used. Front control arms #CCS636 and #CCS637. Turbo Inlet Restrictor 36mm.
Dodge SRT-4 (03-05)	88.0 x 101.1 2458	2667	17 x 8	245	3.47, 2.05, 1.37, 0.97, 0.76	3.53	(F) 280 Vented Disc (R) 220 Solid Disc	2950	C & R Heavy Duty Radiator a/ Spal fan, part # 4051110300-DP allowed. 36mm turbo inlet restrictor required. Any spring up to a maximum spring rate of 800 pounds may be used. Rear sway bar max 42 mm (body and suspension mounting same as OEM), 328mm Max front rotor with 4 piston caliper allowed.
Ford Fiesta ST (2014-)	1596	2490	17 x 9	245	3.72, 2.05 1.36, 1.03, 0.82, 0.69	3.82	(F) 280 (R) 254	2600	Eibach 35143.880, or Ford racing suspension kit (part # TBA). Spool tuning part #FFISTWBM or Cobb Tuning rear motor mount part # 892001.Whiteline # KCA412. Front strut brace. Any spring up to a maximum spring rate of 500 pounds front and 800 pound rear may be used. K&N # 57-2587 ALLOWED.
Ford Focus ST (2013-)	87.5 x 83.1 2000	2649	18 x 8	245	3.38, 2.00, 1.32, 1.00, 0.675	4.06 (1-4) 2.95 (5-6)	(F) 320 vented disc (R) 271 solid disc	3100	36mm turbo inlet restrictor required. Any spring up to a maximum spring rate of 800 pounds may be used. Optional rear sway bar max 42 mm (body and suspension mounting same as OEM)
Ford Focus RS (2016-)	87.5 x 94.0 2261	2647	19 x 8	245	3.23 1.95 1.32 1.13 1.03 0.94	4.06	(F) 350 (R) 303	3250	36mm TIR required.

T3	Bore x Stroke(mm)/ Displ. (cc)	Wheel-base (mm)	Max Wheel Size (inch)	Tire Size (max)	Gear Ratios	Final Drive	Brakes (mm)	Weight (lbs)	Notes:
Ford Mustang EcoBoost (2015-)	87.0 x 94.0 2300	2720	20 x 10	275	4.24, 2.54, 1.67, 1.24, 1.00, 0.70 or 4.17, 2.34, 1.52, 1.14, 0.87, 0.69 or 4.69, 2.98, 2.14, 1.76, 1.52, 1.27, 1.00, 0.85, 0.68, 0.63	3.31 or 3.55 w/ auto	(F) 320 (R) 320	3525	35mm TIR required. Rear spring relocated to shock allowed. 800lbs springs (F/R) allowed. EcoBoost Performance Package allowed in part or complete. Optional: 6 speed automatic transmission (with paddle shifters). Speed Factory Intercooler, part # SF-55-002 permitted. BMR rear upper control arm camber links part #UTCA064 permitted. Non-EcoBoost Performance Pack base model 320mm front brakes, 2 piston front callipers allowed (-50lbs). Ford Motorsports 6-piston M2300V 380mm brake kit allowed with + 100lb penalty, or optional 2-piece rotor 355mm max Brembo brake kit #M-2300-S allowed with +50lb penalty. Sway bars allowed up to 35mm (F) 25mm (R).
Ford Mustang Coupe GT & Shelby GT 4.6L & Cal. Special (05-10)	90.2 x 90.0 4601	2720	18 x 10	275	3.38, 2.00, 1.32, 1.00, 0.675	3.31,3.55 or 3.73	(F) 316 / 355 Vented Disc (R) 300 Vented Disc	3350	The following parts are allowed: Strut tower brace part #M20201-S197, Radiator #M-8005-S197, maximum spring rate of 500 lbs/in front, 300 lbs/in rear allowed, sway bars M-5490-A, damper kit M-18000-A. A flat plate restrictor with two 40 mm holes required directly behind throttle body. Rear Lower Control Arm Kit # M-5649-R1, Rear Shock Mount Kit # M-18197-A, Jounce Bumper Kit # M-5570-A, Front Strut Mount # M-18183-C allowed. An Aluminum driveshaft is allowed. Rear Axle Cover #M-4033-K, Spring Kit #M-5300A (M-5310-A- Front, M5560-A Rear), Strut Tower Brace #M- 20201-S197, Swaybar Kit #M-5490, Jounce Bumper Kit # M-5570-A, Panhard Bar #M-4264-A, Rear Lower Control Arms #M-5649-R1, Rear Upper Shock Mount #M-18197-A (Rear spring relocation to shock permitted with use of this kit). Alternate metallic driveshaft is allowed. Prothane front control arm bushings 6-220 and 6-218 and differential bushing 6-315 allowed. Ford Racing part # M-2300-S permitted.
Ford Mustang GT (01-04) incl. Bullitt (2001)	90.2 x 90.0 4601	2573	17 x 9	275	3.37, 1.99, 1.33, 1.00, 0.67	3.27	(F) 330 x 28 Vented Disc (R) 295 x 18 Vented Disc	3325	Steeda 555-2002 rear control arms are allowed. Max spring rate of 900 lbs/in allowed front and rear. Springs may be mounted as a "coil over" configuration. Steeda front sway bar 555-1094 allowed. Energy suspension 4.3140G control arm bushings permitted.
Ford Mustang Mach I (03-04)	90.2 x 90.0 4601	2720	18 x 9	275	3.38, 2.00, 1.32, 1.00, 0.62	3.55	(F) 316 / 355 Vented Disc (R) 300 Vented Disc	3450	Bullitt springs allowed p/n 1R3Z-5310-CA (F), 1R3Z-5560-AA [®] . Steeda springs (F) 223-121-1000, (R) 223-SAM350RSR, rear sway bar 006-470, front sway bar bushings 122-4-5135-G, strut brace 555-5714, clutch cable 555-7041 and 555-7025, Cobra R brakes permitted. A flat plate restrictor with two 40 mm holes required directly behind throttle body. Steeda 555-2002 rear control arms are allowed. Max spring rate of 900 lbs/in allowed front and rear. Springs may be mounted as a "coil over" configuration. Steeda front sway bar 555-1094 allowed. Energy suspension 4.3140G control arm bushings permitted.
Ford Mustang V6 (11-14)	(95.490) x (86.70) / 226 CID	107.1	18 x 10	275	4.24, 2.54, 1.67, 1.24, 1.00, .70	3.31 or 3.55	(F) (316) x (30.0) Vented (R) (300) x (19.2) Vented	3350	The following parts are allowed: Ford Accessories Spoiler #AR3Z-6344210-CA Rear Axle Cover#M-4033-K, max spring rate of 500 lbs/in front, 300 lbs/in rear (rear spring relocation to shock permitted), Strut Tower Brace #M-20201-F, Sway bar Kit #M-5490, Jounce Bumper Kit # M-5570-A, Panhard Bar #M-4264-A,Rear Lower Control Arms #M-5649-R1, Rear Upper Shock Mount #M-18197-A. Boss 302R Steering EPAS Steering rack #M-3200-EPAS, Boss 302R/SABS Module #M2353-C. 14" Brembo Brake Kit#M-2300-S permitted. Driveshaft from Alternate metallic driveshaft is allowed. Prothane front control arm bushings 6-220 and 6-218 and differential bushing 6-315 allowed. GT/CS Front Fascia #BR3Z-17626-AA, or CR3Z-17626-AB, GT/CS front bumper cover #AR3Z-17D957-BA, allowed if used with front fascia, GT/CS Rear Fascia #AR3Z-17F828-AA is permitted. 58mm flat plate restrictor required. <i>Upper grille fog lights may be removed and replaced with mesh or screen.</i>
Ford Mustang V6 (15-17)	95.5 x 86.6 3727	2720	20 x 10	275	4.24, 2.54, 1.67, 1.24, 1.00, 0.70 or 4.17, 2.34, 1.52, 1.14, 0.87, 0.69	3.31 or 3.55 w/ auto	(F) 320 (R) 320	3475	58mm flat plate restrictor required. Rear spring relocated to shock allowed. 800lbs springs (F/R) allowed. Track package allowed. Optional: 6 speed automatic transmission (with paddle shifters). Sway bars allowed up to 35mm (F) 25mm (R). Ford Motorsports 6-piston M2300V 380mm brake kit allowed with + 175lb penalty, or optional 2-piece rotor 355mmmax Brembo brake kit #M-2300-S allowed with + 100lb penalty.

GCR - 680

T3	Bore x Stroke(mm)/ Displ. (cc)	Wheel-base (mm)	Max Wheel Size (inch)	Tire Size (max)	Gear Ratios	Final Drive	Brakes (mm)	Weight (lbs)	Notes:
Honda Accord (08-12)	89.0 x 93.0 3471	107.9 Coupe 110.2 Sedan	19 x 9	245	5-speed: 3.26, 1.77, 1.15, 0.87, 0.64, 6-speed: 3.93, 2.47, 1.70, 1.25, 0.97, 0.77	5-speed: 4.39 6-speed: 3.55	(F) 300 (R) 282	3450	Springs up to 800 lb/in allowed (F/R). Sway bars allowed 35mm (f) 26mm (r). SPC 67540 allowed. 50mm FPR Required.
Honda Civic Si (06-11)	86.1 x 86.0 1998	2649	17 x 7	235	3.27, 2.13, 1.52, 1.15, 0.92, 0.66	4.77	(F) 300 Vented Disc (R) 260 Solid Disc	2650	Aftermarket cold air intake allowed. Aftermarket exhaust header allowed.
Honda Civic Si (2017-)	73.0 x 89.5 1498	2700	18 x 8	245	3.64, 2.08, 1.36, 1.02, 0.83, 0.69	4.10	(F) 312 x 25 Vented Disc (R) 282 x 10 Solid Disc	2900	HPD CAT Delete pipe 18150-F23S-A6, HPD Flywheel 22100-F23S-A6, HPD FR HPD 4th Gear Set 23460-F23S-A6, HPD Differential 41100-F23S-A6, HPD Flywheel 22100-F23S-A6, HPD RR Damper Mount 52670-F23S-A6, HPD Spring FR 2.5" 550LB 51401-FC4Y-A6, HPD Spring RR 2.5" 800LB 52441-FC4Y-A6, HPD Adjustable RR Upper Arm 52390-F23S-A6, HPD TCA ABS modulator permitted part #57100-F23S-A6 to disable stability and traction control, 36mm TIR required. 4 piston calipers with separate hat and rotor, PN 45075-F23S-A6 Kit, Brake 4P +100lb.
Honda Civic Si (2017-)	73.0 x 89.5 1498	2700	18 x 8	245	3.64, 2.08, 1.36, 1.02, 0.83, 0.69		(F) 312 x 25 Vented Disc (R) 282 x 10 Solid Disc	3075	HPD CAT Delete pipe 18150-F23S-A6, HPD Flywheel 22100-F23S-A6, HPD FR HPD 4th Gear Set 23460-F23S-A6, HPD Differential 41100-F23S-A6, HPD Flywheel 22100-F23S-A6, HPD RR Damper Mount 52670-F23S-A6, HPD Spring FR 2.5" 550LB 51401-FC4Y-A6, HPD Spring RR 2.5" 800LB 52441-FC4Y-A6, HPD Adjustable RR Upper Arm 52390-F23S-A6, HPD TCA ABS modulator permitted part #57100-F23S-A6 to disable stability and traction control, 36mm TIR required. 4 piston calipers with separate hat and rotor, PN 45075-F23S-A6 Kit, Brake 4P +100lb. Vehicle with cage built to another series spec that exceeds SCCA Touring cage rules permitted. 8-point roll cage with additional secondary attachment points allowed while pending FIA certification.
Honda Civic Type-R (2017-)	86.0 x 85.9 1996	2700	20 x 9	245	3.62, 2.11, 1.53, 1.12, 0.91, 0.73	4.11	(F) 351 (R) 305	3350	HPD CAT Delete pipe 18150-F23S-R6; HPD 4th Gear Set 23460-F23S-R6; HPD Differential 41100-F23S-R6; HPD RR Damper Mount 52670-F23S-A6; HPD RR Spring Adjuster 52691-F23S-A6; HPD Adjustable RR Upper Arm 52390-F23S-A6; HPD ABS Modulator 57100-F23S-R6; Alternate grill Custom Tuning FG-CIV16-V3-TR-BK allowed. Any sway bar front/rear up to 30mm allowed. Front springs up to 800lb allowed, rear springs up to 1000lb allowed. 36mm TIR required. Wheels up to 10" wide allowed with 50 lb. penalty.
Honda S2000 (all) (00-09)	87.0 x 90.7 2157	2400	17 x 9.0	245	3.13, 2.05, 1.48, 1.16, 0.97, 0.81 or 3.13, 2.05, 1.48, 1.16, 0.94, 0.76	4.10	(F) 300 Disc (R) 282 Disc	2.0: 2675 2.2: 2875	Any OEM, Mugen P/N 0000-04-2312, or aftermarket hardtop permitted that retains the OEM roof silhouette (if a hardtop is used, latches shall be replaced with positive fasteners). Factory bolt-in roll bar may be removed to facilitate the installation of the required roll cage. Comptech differential housing part #550-040 allowed. 2008 S2000 CR front fascia, rear deck lid, and wing are permitted. Spring rate 750 lbs/in F/R maximum allowed. Updating and backdating of flywheels between engine types is prohibited. Any swaybar up to 33mm front, up to 30mm rear allowed.
Hyundai Genesis Coupe (2010-)	86.0 x 86.0 1998	2819.4	19 x 8	245	4.23, 2.47, 1.67, 1.23, 1.00, 0.79	3.91	340.4 (F) 330.2 (R)	3150	32mm Turbo Inlet Restrictor required. Track Pack allowed.

T3	Bore x Stroke(mm)/ Displ. (cc)	Wheel-base (mm)	Max Wheel Size (inch)	Tire Size (max)	Gear Ratios	Final Drive	Brakes (mm)	Weight (lbs)	Notes:
<i>Hyundai Veloster Turbo (18-21)</i>	77 x 85.4 1584	2650	17 x 8	245	3.308, 1.962, 1.294, 0.976, 0.778, 0.633	4.467	(F) 331 x 32 Vented Disc (R) 261 x 10 Solid Disc	3050	<i>INJEN Intake Part# SP1342BLK allowed. C&R Radiator CR-CCS1423 allowed. Front Tower Brace allowed. Penske 165932 F1 front and Penske 166295 R1 shocks allowed with up to 1100lb springs. 22mm rear swaybar allowed. Wilwood 1262741 caliper allowed in front with 331x32mm 2 piece aluminum/ferrous brake rotor. Vehicle is to race as homologated for SRO TCA 2022 rules. DOT approved tires required. 35mm TIR Required</i>
Infiniti G35 / Coupe/Sedan/ Sport (03-08)	95.5 x 81.4 3498	2649	18 x 9 (F) 18 x 10 (R)	245	3.79, 2.32, 1.62, 1.27, 1.00, 0.79	3.54	(F) 296/324 Vented Disc (R) 292/323 Vented Disc	DE Engine: 3350 HR Engine: 3350	Springs up to 700 lb/in allowed (F/R). HR Engine: HR Engine: Two 37mm flat plate restrictors required. DE Engine: Single 57mm flat plate restrictor required.
Lotus Elise (05-10)	82.0 x 85.0 1796	2301	16 x 8 (F) 17 x 8 (R)	215 (F) 245 (R)	3.12, 2.05, 1.48, 1.17, 0.96, 0.82	4.53	(F) 288 Vented Disc (R) 288 Vented Disc	2300	The floor may be modified to facilitate the rollcage mounting points. The factory roll hoop shall be replaced with a single continuous hoop. Lotus Elise oil accumulator system part #ALS3E0022J (accusump part #24026 and electric valve part #24270) is allowed. Lotus Track use chassis brace kit #lotac05377 allowed. Sway bar #A120L0020F, spring front #A120C0019H, spring rear A120D0047H allowed. Moroso Oil Pan part #20970 is allowed. G-PAN Baffled Oil Pan is allowed. Rear cage braces may pass through rear window. Front spring, Eibach part # 600.225.0475 and rear spring, Eibach part # 800.225.0650 allowed.
Lotus Exige (2006)	82.0 x 85.0 1796		16 x 6.5 (F) 17 x 7.5 (R)	215 (F) 245 (R)	3.12, 2.05, 1.48, 1.17, 0.96, 0.82	4.53	(F) 288 Vented Disc (R) 288 Vented Disc	2300	The floor may be modified to facilitate the rollcage mounting points. The factory roll hoop shall be replaced with a single continuous hoop. Lotus Elise oil accumulator system part #ALS3E0022J (accusump part #24026 and electric valve part #24270) is allowed. Lotus Track use chassis brace kit #lotac05377 allowed. Sway bar #A120L0020F, spring front #A120C0019H, spring rear A120D0047H allowed. Moroso Oil Pan part # 20970 is allowed. G-PAN Baffled Oil Pan is allowed. Rear cage braces may pass through rear window. Front spring, Eibach part # 600.225.0475 and rear spring, Eibach part # 800.225.0650 allowed. Sector 111 Eliminator V3 permitted to replace rear panel.
Mazda Mazdaspeed3 (07-09)	87.5 x 94.0 2260	2639	18 x 8	245	3.54, 2.24, 1.54, 1.17, 1.09, 0.85	1-4: 3.94 5-6: 3.35	(F) 320 Vented Disc (R) 300 Solid Disc	3050	36mm Turbo Inlet restrictor required- Rear sway bar max 42mm (body and suspension mounting same as OEM. Any spring up to a maximum spring rate of 800 pounds may be used. Damond Motorsports Mazdaspeed3 caliper bushing kit allowed F/R. Cork-Sport part# Gen-6-999-10 or Autotech 10-127-100K allowed.
Mazda Mazdaspeed3 (10-13)	87.5 x 94.0 2260	2639	18 x 8	245	3.21, 1.91, 1.37, 1.03, 0.95, 0.79	1-4: 4.19 5-6: 3.53	(F) 320 Vented Disc (R) 300 Solid Disc	3050	36mm Turbo Inlet restrictor required. Rear sway bar max 42mm (body and suspension mounting same as OEM). Any spring up to a maximum spring rate of 800 pounds may be used. Damond Motorsports Mazdaspeed3 caliper bushing kit allowed F/R. Cork-Sport part# Gen-6-999-10 or Autotech 10-127-100K allowed.
Mazda MazdaSpeed Miata (04-05)	83.0 x 85.0 1839	2266	18 x 8 (F) 18 x 8 (R)	245	3.76, 2.27, 1.65, 1.26, 1.00, 0.84	4.10	(F) 269 Vented Disc (R) 277 Solid Disc	2550	Mazdaspeed radiator part # 0000-01-5503 and suspension kit #K-SPEC-M5-SUS9 allowed. Canton Accusump #24-026, Flex-a-lite install sandwich #3965, and related hoses, valve, and bracket allowed. Bell Engineering (BEGi) intercooler kit permitted #67022. Complete kit includes throttle inlet tube, cool air box and Forge Motorsports diverter valve. Kit must be used as a whole, including all hardware.
Mazda MX-5 Cup	87.4 x 83.1 2000	2330	17 x 7	225	3.82, 2.26, 1.64, 1.18, 1.00, 0.83 or 3.82, 2.26, 1.64, 1.18, 1.00, 0.79	4.10	(F) 290 (R) 280	2550	Must comply with 2014 SCCA Pro Racing MX-5 Cup Regulations. Competitor must have the rules in their possession and present them upon request. Any OEM or aftermarket hardtop permitted that retains the OEM roof silhouette, including part #0000-07-5901, the discontinued DG Motorsports top (if a hardtop is used, latches shall be replaced with positive fasteners)

GCR - 682

T3	Bore x Stroke(mm)/ Displ. (cc)	Wheel-base (mm)	Max Wheel Size (inch)	Tire Size (max)	Gear Ratios	Final Drive	Brakes (mm)	Weight (lbs)	Notes:
Mazda MX-5 Global Cup Miata (2016-2021) ND1, ND2	2000	2309	17 x 7.5	Series spec tires: 215/610 R17 BF Goodrich G-Force Slick, 20/61-17 G-Force Wet-P2G or 225 DOT	5.09, 2.99, 2.04, 1.59, 1.29, 1.00	2.87	(F) 280 Vented (R) 280 Solid	2370	Shoulder harness installation must conform to FIA mounting specifications that are approved for this vehicle per section 6.2 FIA article 253, safety equipment. Must meet all ND2 MX-5 Global Cup rules. Any OEM or aftermarket hardtop is permitted that retains the OEM roof silhouette, including Mazda hardtop Mazda hardtop part #0000-07-5902-ND and #0000-07-5902-ND part #0000-07-5901 (discontinued DG Motorsports). If a hardtop is used, latches shall be replaced with positive fasteners. OBD2 requirement does not apply. Ballast box may be removed. ND2s with sequential gearbox allowed + 100 lbs.
Mazda MX-5 Miata (16-18)	2000	2309	17 x 7	245	5.09, 2.99, 2.04, 1.59, 1.29, 1.00	2.87	(F) 280 Vented (R) 280 Solid	2520	Factory bolt-in roll bar/ cross member may be removed to facilitate roll cage installation. Header permitted. Cold air intake permitted. Front strut brace permitted. Front and rear sway bars permitted up to 35mm, Springs 800 front and 800 Rear max permitted. Any OEM or aftermarket hardtop permitted that retains the OEM roof silhouette including Mazda hardtop part #0000-07-5902-ND and part #0000-07-5901 (discontinued DG Motorsports top). If a hardtop is used, latches shall be replaced with positive fasteners. Retractable hardtop option permitted but must be disabled from moving action and positively fastened.
Mazda MX-5 NC (06-15)	87.4 x 83.1 2000	2330	17 x 8	245	3.82, 2.26, 1.64, 1.18, 1.00, 0.83 or 3.82, 2.26, 1.64, 1.18, 1.00, 0.79 or 3.14, 1.89, 1.33, 1.00, 0.81 (5 spd)	4.10	(F) 290 (R) 280	2400	Any OEM or aftermarket hardtop permitted that retains the OEM roof silhouette (if a hardtop is used, latches shall be replaced with positive fasteners). Max spring rate: 700lbs. Max sway bar diameter 35mm. Cold air intake permitted. Mazdaspeed MX-5 Roof permitted #0000-07-5901-CC or #0000-07-5901 (discontinued DG Motorsports). MS-R option permitted. Suspension package permitted that includes the following parts: front springs #0000-04-9700-08, rear springs #0000-04-9400-07, helper springs #0000-04-HLPR-EB, F/R sway bar kit #GRM5-8MD16, front end links #0000-04-5499, rear end links #0000-04-5498. Mazda Motorsport RX8 Hub Conversion kit part number 0000-04-5811-KT allowed. Any hard top following the OEM silhouette allowed. Any aftermarket header allowed. Mazda Transmission kit part # 0000-02-5700.
Mazda RX-8 Base/R3/Sport/ GT (04-12)	2600	2703	18 x 9	255	3.76, 2.27, 1.65, 1.19, 1.0, .084 or 3.82, 2.26, 1.54, 1.18, 1.00, 0.79	4.44 Alt: 4.78	(F) 323 Vented Disc (R) 303 Vented Disc	2750	Use of 2009 R3 transmission is permitted with alternate gear ratios as listed. R3 transmission must be paired with the listed alternate final drive. Front sway bar permitted 32mm MAX rear sway bar 19 MAX, Front springs max 750, 500 rear. Cold air intake permitted. Header permitted. Aftermarket flywheel and single disc clutch permitted with no weight penalty.
Mazda Spec MX-5									Car must comply with the SCCA Mazda Spec MX-5 rules found in GCR section 9.1.11
Mini Cooper S (2016-)	82.0 x 94.6 1998	2429	17 x 8	225	3.92, 2.14, 1.39, 1.09, 0.89, 0.76	3.59	(F) 316 x 22 (R) 280 x 10	2900	36mm TIR required.
Nissan 350Z Track/ Touring/ Standard/ Nismo (03-08)	95.5 x 81.4 3498	2649	18 x 10	245	3.79, 2.32, 1.62, 1.27, 1.00, 0.79	3.54	(F) 296/324 Vented Disc (R) 292/323 Vented Disc	DE Motor: 3200 HR Motor: 3275	The following are allowed: Track option Aero package, Rear diff cover Nismo part #99996-35TDK or, alternatively parts #383510C021, OEM Breather 38356-EV00A, OEM Stud 38354-0C00A, Nissan Motorsports. Nissan heavy duty spring kit part #99996-65Z30US, Front sway bar max 37mm. Rear sway bar max 25mm. <i>Performance alternative front upper control arms permitted.</i> Springs up to 700 lbs./ in. allowed front and rear. HR Engine: Two 44mm flat plate restrictors required. Rear spring relocation to shock permitted. Zspeed and Z1 alternative clutch slave permitted. Nissan brake part numbers NISMO Race Front Caliper Kit 41001-FR350, NISMO Front Rotor-RIGHT 40206-SZ350, NISMO Front Rotor-LEFT 40207-SZ350 permitted. 44011-RC350 rear caliper kit permitted, 43206-SZ350 Right rotor permitted, 43207-SZ350 Left rotor permitted.

T3	Bore x Stroke(mm)/ Displ. (cc)	Wheel-base (mm)	Max Wheel Size (inch)	Tire Size (max)	Gear Ratios	Final Drive	Brakes (mm)	Weight (lbs)	Notes:
Nissan 350Z Track/ Touring/ Standard/ Nismo (03-08) Spec Z	95.5 x 81.4 3498	2649	18 x 9 (F) 18 x 10 (R)	245	3.79, 2.32, 1.62, 1.27, 1.00, 0.79	3.54	(F) 296/324 Vented Disc (R) 292/323 Vented Disc	DE Motor: 3325 HR Motor: 3375	Nissan Motorsports: Shock Front left P/N E6110-SZ350 & Front right E6111-SZ350 & rear E6210-SZ350, springs front P/N 54010-SZ350 & rear 55020-SZ350, F&R 5600S-SZ350, Front sway bar max 37mm, Rear sway bar max 25mm, Bushings P/N (54541, 54560, 55045, 55148, 55149, 55152, 55153, 55158, 56218) - RRZ30 allowed. Nismo flywheel permitted. SPC Control Arms 72125 and 72123 are allowed. HR Engine: Two 42mm flat plate restrictors required. Zspeed and Z1 alternative clutch slave permitted. Must conform to all SpecZ 2018 Edition rules. No other touring allowances beyond 2018 SpecZ edition rules or allowances listed here. Nissan brake part numbers NISMO Race Front Caliper Kit 41001-FR350, NISMO Front Rotor-RIGHT 40206-SZ350, NISMO Front Rotor-LEFT 40207-SZ350 permitted. 44011-RC350 rear caliper kit permitted, 43206-SZ350 Right rotor permitted, 43207-SZ350 Left rotor permitted.
Nissan 370Z (09-16) / 370Z NISMO Edition (09-13)	95.5 x 86.0 3696	2550	19 x 10	245	3.79, 2.32, 1.62, 1.27, 1.00, .79	3.69	(F)320 x 28 Vented (R)320 x 16 Vented	3275	5300S-SS370 T-2 spring kit allowed; 54600-SS370 T-2 front and rear sway bar kit allowed. Sports Package is allowed. Two 42mm flat plate restrictors required. <i>Performance alternative front upper control arms permitted.</i> Max spring rate of 700 lbs/in front and rear. Rear spring relocation to shock permitted. Zspeed and Z1 alternative clutch slave permitted. Any swaybar up to 37mm front and up to 30mm rear allowed. 44011-RC350 rear caliper kit permitted, 43206-SZ350 Right rotor permitted, 43207-SZ350 Left rotor permitted.
Pontiac Solstice GXP Coupe / Convertible (07-09)	85.3 x 86.1 1998	2415	18 x 9.5	245	3.75, 2.26, 1.51, 1.00, .73	3.73	(F) 296 Vented (R) 278 Solid	3200	Detachable hardtop GM part #PCS-0664 may be installed (if a hardtop is used, latches shall be replaced with positive fasteners and convertible top shall be removed). Suspension option ZOK and Rear Spoiler (D52) allowed. Brake calipers and rotors from Chevrolet Cobalt SS (08-09) permitted. Any aftermarket top allowed, if material, size, shape and weight are the same as the factory top. 36mm TIR required. Performance Alternative (see GCR Appendix F) Intercooler allowed. Maximum spring rate 800 lb/inch for coil over type spring permitted. Any aftermarket 4-piston caliper allowed.
Porsche Boxster/ Boxster S (00-04)	92.9 x 77.9 3179 85.8 x 78 2687	2415	18 X 8	245	3.82, 2.20, 1.52, 1.22, 1.02, .84	3.44	(F) 318 x 28 Vented (R) 299 x 24 Vented	3.2L: 3250 2.7l: 3000	Alternate exhaust manifold permitted, 966-111-102-05 (left) and 996-111-101-05 (right). Any OEM or aftermarket hardtop permitted that retains the OEM roof silhouette.
Porsche Boxster Base (05-08)	85.8 x 78 2687	2415	18 X 8	245	3.5, 2.12, 1.43, 1.09, 0.84	3.56	(F) 298 (R) 299	3000	Alternate exhaust manifold permitted, 966-111-102-05 (left) and 996-111-101-05 (right). Any OEM or aftermarket hardtop permitted that retains the OEM roof silhouette.
Porsche Spec Boxster	85.5 x 72.0 2480	2418	17 x 8.5	See Notes	See Rules	3.89	(F) 298 (R) 292	2550	Must conform to all SPB rules in the PCA rulebook. Each competitor shall have available definitive current documentation of the PCA rules. Tires must meet <i>current</i> SPB rules or any 245 DOT tire permitted. No other touring allowances permitted.
Porsche Cayman (06-08)	85.8 x 78 2687	2415	18 x 9	245	3.82, 2.20, 1.52, 1.22, 1.02, .82	3.44	(F) 318 x 28 Vented (R) 299 x 24 Vented	3050	Alternate exhaust manifold permitted, 966-111-102-05 (left) and 996-111-101-05 (right).
Porsche Cayman (09-12)	89 x 77.5 2900	2415	18 x 9	245	3.50, 2.12, 1.43, 1.09, 0.84, .78, .62	3.88	(F) 286 (R) 276	3150	Ducting for coolers is free, provided it doesn't change size and/or shape of factory body panels. Springs up to 800#/in front and 1000 #/in rear allowed. Sway bars 28mm max front and 24mm max rear. Porsche Motorsport rear and front control arms allowed.
<i>Porsche Cayman (13-16)</i>	<i>89 x 72.5 2700</i>	<i>2415</i>	<i>18 x 9</i>	<i>245</i>	<i>3.62 2.05, 1.46, 1.13, 0.97, 0.84</i>	<i>3.89</i>	<i>315 (f) 300 (r)</i>	<i>3225</i>	<i>Ducting for coolers is free, provided it doesn't change size and/or shape of factory body panels. Springs up to 800#/in front and 1000 #/in rear allowed. Sway bars 28mm max front and 24mm max rear. Porsche Motorsport rear and front control arms allowed</i>
Saturn Ion Redline (04-07)	86.0 x 86.1 1998	2629	18 x 8	245	3.38, 1.76, 1.18, 0.89, 0.71	4.05	(F) 296 Vented Disc (R) 270 Solid Disc	3000	The following GM parts are allowed: front springs part # CCS635, rear springs # CCS639, front control arms # CCS636 and CCS637, shrouding kit # CCS644. Griffin radiator # 9D-18194-01 allowed. Stage Three Supercharger kit, part #88958719 permitted. Optional rear sway bar max 42 mm (body and suspension mounting same as OEM). AEM cold-air intake (part# 21-532C) is permitted. Any spring up to a maximum spring rate of 800 pounds may be used Brake calipers and rotors from Chevrolet Cobalt SS (08-10) permitted.

GCR - 685

T3	Bore x Stroke(mm)/ Displ. (cc)	Wheel-base (mm)	Max Wheel Size (inch)	Tire Size (max)	Gear Ratios	Final Drive	Brakes (mm)	Weight (lbs)	Notes:
Saturn Sky / Convertible (07-09)	85.3 x 86.1 1998	2415	18 x 9.5	245	3.75, 2.26, 1.51, 1.00, .73	3.73	(F) 296 Vented (R) 278 Solid	3200	Detachable hardtop GM part #PCS-0664 may be installed (if a hardtop is used, latches shall be replaced with positive fasteners and convertible top shall be removed). Suspension option ZOK and Rear Spoiler (D52) allowed. Brake calipers and rotors from Chevrolet Cobalt SS (08-09) permitted. Any aftermarket top allowed, if material, size, shape and weight are the same as the factory top. 35mm TIR required. Hahn HIC-1150 or Dejon FIC-SSA Intercooler allowed. Maximum spring rate 800 lb/inch for coil over type spring permitted. Any aftermarket 4-piston caliper allowed.
Scion FR-S/ Toyota 86, GT (13-21)	86 x 86.0 1998	2570	17 x 9	255	3.63, 2.19, 1.54, 1.21, 1.00, .77	4.10 or 4.30	(F) 295 Vented Disc (R) 290 Vented Disc	2675	Update/Backdate between any models within manufacturer brand permitted. Any 4 piston brake package up to 350 rotors permitted. Aftermarket intake, header, clutch and flywheel permitted. Any spring up to 750 F/R and any sway bars permitted max 25mm F, 19mm R. Front strut tower brace permitted. Raceseng, part # raceseng-ft86-r-shock-top permitted. Any commercial aftermarket lower control arms permitted. BRZ TS Rear wing and body work allowed.
Subaru BRZ, BRZ TS (13-21)	86 x 86.0 1998	2570	17 x 9	255	3.63, 2.19, 1.54, 1.21, 1.00, 0.77	4.10 or 4.30	(F) 295 Vented Disc (R) 290 Vented Disc	2675	Update/Backdate between any models within manufacturer brand permitted. Any 4 piston brake package up to 350 rotors permitted. Aftermarket intake, header, clutch and flywheel permitted. Any spring up to 750 F/R and any sway bars permitted max 25mm F, 19mm R. Front strut tower brace permitted. Raceseng, part # raceseng-ft86-r-shock-top permitted. Any commercial aftermarket lower control arms permitted.
Subaru BRZ (2022-)	94 x 86 2400	2575	18 x 8	245	Auto: 3.54, 2.06, 1.41, 1.00, 0.71, 0.58 Manual: 3.63, 2.19, 1.54, 1.21, 1.00, 0.77	Auto: 3.91 Manual: 4.1	(F) 295 (R) 290	2975	Any spring up to 1000 F/R permitted. Front strut tower brace permitted. SPC or SPL rear lower control arms permitted. Cold air intake allowed. Subaru brake parts 26292CA070 & 26292CA060 allowed. Sway bars permitted 25m (f) max, 22mm (r) Max. OEM Trunk Spoiler permitted- E7210CC000.
Subaru Legacy GT/Spec B (05-09)	99.5 x 79 2457	2670	18 x 9	245	3.64, 2.24, 1.52, 1.14, 0.89, 0.71 3.17, 1.82, 1.30, .97, 0.74	4.11 or 3.45	(F) 315 vented (R) 305 vented	3350	Up to 22mm front and 20mm rear sway bars allowed. Intercooler allowed. Max F/R spring rate 800 lb/in. 37mm Turbo inlet restrictor required. SPC- 67665 rear camber arm allowed.
Subaru STI (15-20)	99.5 x 79 2457	2650	18 x 9	245	3.64, 2.23, 1.52, 1.14, 0.97, 0.76	3.9	(F) 340 vented (R) 325 Vented	3350	Front Sway bar 27mm max and Rear Sway bar 24mm max allowed. Max spring rate (F) 800 lbs/in, (R) 900 lbs/in. Aftermarket Intercooler allowed. 37mm TIR required. SPC lower control arm 67660 allowed.
Subaru WRX TR (06-07)	99.5 x 79.0 2457	2525	17 x 8	245	3.17 1.88 1.30 0.97 0.74	4.11	(F) 292 vented disc (R) 287 vented disc	3360	35mm Turbo Inlet Restrictor is required. Any spring up to 800 lbs may be used. Nukabe non-adjustable swaybars (F) 667311a22 and (R) 666311bj22 allowed.
Subaru WRX (02-05)	92.0 x 75.0 1994	2525	18 x 9	245	3.17, 1.88, 1.30, 0.97, 0.74	4.44	(F) 294 vented (R) 266 vented	3250	Following parts are allowed: 27mm max front and rear sway bar allowed, Max spring rate (F) 800 lbs/in, (R) 900 lbs/in. Aftermarket Intercooler allowed. 2006-2007 WRX TR brakes allowed. 2004-2007 WRX STI brakes allowed +100 lbs. 35mm TIR required.
Subaru WRX (11-14)	99.5 x 79.0 2457	2624	17 x 8	245	3.17 1.88 1.30 0.97 0.74	3.90	(F) 326 (R) 316	3200	Whiteline 24mm front and 22mm rear sway bars allowed. STI Brembo brake package allowed. Max F/R spring rate 500 lb/in. 35mm Turbo inlet restrictor required.

9.1.9.2. T3 Spec Lines

GCR - 686

T3	Bore x Stroke(mm)/ Displ. (cc)	Wheel-base (mm)	Max Wheel Size (inch)	Tire Size (max)	Gear Ratios	Final Drive	Brakes (mm)	Weight (lbs)	Notes:
Subaru WRX (2015-)	86.0 x 86.0 1998	2649	18 x 8	245	3.45, 1.95, 1.30, 0.97, 0.78, 0.67	4.11	(F) 315 vented (R) 287 solid	3275	Max diameter 24mm front and 22mm rear sway bars allowed. Max F/R spring rate 500 lb/in. 35mm Turbo inlet restrictor required. Rear camber arm SPC #67660 allowed.
Subaru WRX STI (03-07)	99.5 x 79.0 2457	2540	18 X 9	245	3.64 2.38 1.76 1.35 0.97 0.76	3.90	(F) 323 vented disc (R) 313 vented disc	3300	Front Sway bar Whiteline PN #BSF36XXZ and Rear Sway bar Whiteline PN #BSF37XZ allowed. Max spring rate (F) 800 lbs/in, (R) 900 lbs/in. Aftermarket Intercooler allowed. 37mm TIR required.
Toyota Camry (11-15)	3.70" x 3.27" 211.0	109.3"	18 x 9	275	3.30, 1.90, 1.42, 1.00, 0.71, 0.61	3.46	(F) 11.65 vented (R) 11.0 solid	3350	
Toyota GR86 (2022-)	94 x 86 2400	2575	18 x 8	245	Auto: 3.54, 2.06, 1.41, 1.00, 0.71, 0.58 Manual: 3.63, 2.19, 1.54, 1.21, 1.00, 0.77	Auto: 3.91 Manual: 4.1	(F) 295 (R) 290	2750	Any spring up to 750 F/R permitted. Front strut tower brace permitted. SPC rear lower control arms permitted. Cold air intake allowed. Toyota brake parts SU003-07197 & SU003-07198 allowed with 100 lb penalty. Sway bars permitted 25m (f) max, 22mm (r) Max. OEM Trunk Spoiler permitted- E7210CC000.
Volkswagen Golf R (15-16)	82.5 x 92.8 1984	2630	18 x 8	245	3.36, 2.09, 1.48, 1.09, 1.10, 0.91	4.24 (1-4) 3.27 (5-6)	(F) 340 x 30.5 (R) 310 x 29	3100	Max spring rate 800 F&R, Max swaybar 38mm F, 42mm R. 36mm TIR required.
Volkswagen GTI, Jetta GLI (06-10)	82.5 x 92.8 1984		18 x 8	245	DSG: 3.46, 2.15, 1.46, 1.08, 1.10, 0.92 STD: 3.36, 2.09, 1.47, 1.10, 1.11, 0.93	DSG: 4.10 / 3.14 STD: 4.00, 3.09	(F) 312 Vented Disc (R) 286 Solid Disc	DSG @ 3080 STD @ 3050	Front and Rear sway bar max 42mm (body and suspension mounting same as OEM), Any spring up to a maximum spring rate of 800 pounds may be used. Turbo Inlet Restrictor 36mm required max 60mm from impeller. R32 model brake package allowed. Any 4 piston Stoptech <i>Alcon or Brembo</i> brake kit (max 355mm x 32mm) incl. 2-piece rotors allowed (+50lb) ECS street shield 003425ECS01AKT allowed. Neuspeed intake and filter # 65.10.97 allowed or OEM Air Intake and filter -25 lbs. <i>Verklined WAS-048 camber arms permitted. VW knuckles 3C0407253F (L) and 3C0407254F(R) permitted. Performance alternative intercooler allowed.</i>
Volkswagen GTI (2013)	82.5 x 92.8 1984		18 x 8.5	245	DSG: 3.46, 2.15, 1.46, 1.08, 1.10, 0.92 STD: 3.36, 2.09, 1.47, 1.10, 1.11, 0.93	DSG: 4.10 / 3.14 STD: 4.00, 3.09	(F) 312 Vented Disc (R) 288 Solid Disc	DSG @ 3080 STD @ 3050	Rear sway bar max 42 mm (body and suspension mounting same as OEM), Any spring up to a maximum spring rate of 800 pounds may be used. Turbo Inlet Restrictor 36mm required. R32 model brake package allowed. <i>Verklined WAS-048 camber arms permitted.</i>
Volkswagen GTI (14.5-17)	82.5 x 92.8 1984	2361	18 x 8.5	245	DSG: 2.92, 1.79, 1.14, 0.78, 0.80, 0.64 STD: 3.76, 2.08, 1.46, 1.08, 1.09, 0.97	STD: 3.24/2.62 DSG: 4.77/3.44	(F) 312 Vented (R) 288 Solid	DSG @ 3080 STD @ 3050	Front and rear sway bar max 42mm (body and suspension mounting same as OEM), Any spring up to a maximum spring rate of 800 pounds may be used. Turbo Inlet Restrictor 36mm allowed max 60mm from impeller. R32 model brake package allowed. Any 4 piston Stoptech brake kit (max 355mm) incl. 2-piece rotors allowed (+50lb) ECS street shield ECS-2986429 allowed. <i>Verklined WAS-048 camber arms permitted.</i>
Volvo C30 (09-13)	83.02 x 93.20 2500	2640	18 x 9	255	4.66, 3.03, 1.98, 1.34, 1.02	2.27	(F) 300 (R) 280	3100	800 lbs. springs (front and rear), 35mm max front sway bar, 40mm max rear sway bar. 35mm TIR.

T4	Bore x Stroke(mm)/ Displ. (cc)	Wheel-base (mm)	Wheel Size (in.)	Tire Size (max)	Gear Ratios	Final Drive	Brakes (mm)	Weight (lbs)	Notes:
Acura Integra GS-R VTEC (3 or 4 door) (94-01)	81.0 x 87.2 1797	2571	15 x 7	235	3.23, 1.90, 1.36, 1.03, 0.79	4.4	(F) 262 x 21 Vented disc (R) 239 x 10 Solid Disc	2525	Any spring up to a maximum spring rate of 800 pounds front and 800 pound rear may be used Cold Air Intake system allowed. OEM optional limited slip differential permitted. 32mm OEM style and configuration rear sway bar allowed. Header allowed. Front strut tower brace allowed. OBD2 requirement for ECU does not apply.
Acura RSX/ RSX Type-S (02-06)	86.0 x 86.0 1998	2570	17 x 8	235	3.27, 2.13, 1.52, 1.15, 0.92, 0.74	4.4 4.765	(F) 300 Vented Disc (R) 260 Solid Disc	2700 Type-S: 2950	Any spring up to a maximum spring rate of 800 pounds front and 800 pound rear may be used. Header allowed. Front strut tower brace allowed. Alternate 27mm (max) front sway bar allowed, 32mm OEM style and configuration rear sway bar allowed. OBD2 requirement for ECU does not apply. 55mm flat plate restrictor required. SPC Rear Upper Arm - P/N 67230 permitted.
<i>Acura TSX (2004-2008)</i>	<i>87.0 x 99.0 2354</i>	<i>2670</i>	<i>17 x 8</i>	<i>245</i>	<i>3.267, 1.88, 1.355, 1.028, 0.825, 0.659</i>	<i>4.76</i>	<i>(F) 300 mm (R) 260 mm</i>	<i>3000</i>	<i>Any spring up to a maximum spring rate of 800 pounds front and 800 pound rear may be used OEM optional limited slip differential permitted. 32mm OEM style and configuration rear sway bar allowed. Front strut tower brace allowed. 47mm FPR required</i>
Audi A3 (2015)	82.5 x 92.8 1984	2637	17 x 7.5	245	3.46, 2.05, 1.30, .90, .91, .76	3.99	(F) 313mm (F) 272mm	3100	30mm TIR required. Aftermarket wheels at a min. weight of 15 lbs. each. Sway bars up to 30mm.H&R 28860-4.
Audi A4 V-6 (96-01) / Volkswagen Passat 2.8 V6 (96-05)	82.5 x 86.4 2771	2606	16 x 7	225	3.67, 1.99, 1.41, 1.00, 0.74	3.2	(F) 277 x 25 Vented Disc (R) 244 x 15 Solid Disc	3055	The following items must remain stock: shock/struts (including mounts), original wheels, and transmission differential - unless specified below.
BMW Z4 2.5L (03-05)	84.0 x 75.0 2494	2495	17 x 8	245	4.23, 2.52, 1.66, 1.22, 1.00	3.46	(F) 286 Vented Disc (R) 280 Solid Disc	3050	Any spring up to 600 lbs. F/R and any sway bar up to 30mm F and up to 25mm R allowed.
BMW 320i (14-15)	83.8 x 88.9 1997	2819	18 x 8	(F) 255 (R) 275	3.50, 2.01, 1.31, 1.00, 0.81, 0.70	3.08	(F) 313 (R) 300	3100	31mm TIR required. H&R 28878-2, or Eibach E10-20-031-01-22. Sway bars up to 32mm. Sport Package (except wheels) allowed. GFB T9357 aluminum diverter valve allowed. <i>Aftermarket intercooler permitted.</i>
BMW 323 (98-00)	84.1 x 75.0 2494	2725	17 x 8.0	225	4.23, 2.52, 1.66, 1.22, 1.00	3.07	(F) 286 (R) 276	3250	Up to 850lb. springs F/R permitted, 27mm front sway bar, 24mm rear sway bar permitted. M52TUB25 engine required.
Chevrolet Camaro V-6 (96-02)	96.5 x 86.36 3790	2568	16 x 8	275	3.75, 2.19, 1.41, 1.00, 0.72	3.42 or 3.23	(F) 302 x 32 Disc (R) 305 x 25 Disc	3250	Performance option permitted, consisting of limited slip differential, up level steering rack, dual exhaust. GM PS cooler #10417037 allowed. Z-28 front sway bar (30mm) and rear sway bar (19mm) allowed. GM 1LE front (#26032907 32mm) and rear (#10021221 21 mm) sway bar allowed. Front spring rate shall be 280-320 lbs. per inch and the minimum free length is 13 ¾ inches. Koni Shocks, 8241-1139 (F) and 8241-1140 (R) permitted. SP-141 front and rear springs permitted; SP-8316 front sway bar and SP- 8327 rear sway bar permitted; BMR suspension strut tower brace # STB-002 is permitted. K&N Cold Air Intake Kit FIPK (57-3041) allowed.
Chevrolet Cobalt SS, Sport Coupe (06-10)	88.0 x 98.0 2384	2628	17 x 8	235	3.58, 2.02, 1.35, 0.98, 0.69	3.94	(F) 296 Vented Disc (R) 270 Solid Disc	2725	Any spring up to a maximum spring rate of 500 pounds front and 800 pound rear may be used. Cold Air Intake system allowed. OEM optional limited slip differential permitted. 32mm OEM style and configuration rear sway bar allowed. Header allowed. Front strut tower brace allowed. OBD2 requirement for ECU does not apply.
Chevrolet Sonic RS (2011-)	72.5 x 82.6 1364	2525	18 x 7.5	225	3.82, 2.05, 1.30, 0.96, 0.74, 0.61	3.65	(F) 276 (R) 230 drum	2800	28mm TIR required and must be placed with the restriction within 10 mm of the end of the stock turbo inlet. The PCV port in the stock turbo inlet must be plugged. Eibach 38160.140 allowed. ZZP Part # ZZ-SNCRSB allowed. Front strut brace allowed. GM suspension kit #23123679 allowed. H&R 50702 spring kit allowed.
Chrysler/Dodge Neon ACR SOHC (4 door) (01-02)	87.5 x 83.0 1995	2667	15 x 7	235	3.50, 1.96, 1.36, 0.97, 0.81	3.94	(F) 257 x 22 Vented Disc (R) 270 x 9 Solid Disc	2400	Any spring up to a maximum spring rate of 500 pounds front and 800 pound rear may be used - Cold Air Intake system allowed. OEM optional limited slip differential permitted. 32mm OEM style and configuration rear sway bar allowed. Header allowed. Front strut tower brace allowed. OBD2 requirement for ECU does not apply.

T4	Bore x Stroke(mm)/ Displ. (cc)	Wheel-base (mm)	Wheel Size (in.)	Tire Size (max)	Gear Ratios	Final Drive	Brakes (mm)	Weight (lbs)	Notes:
Dodge Dart (14-15)	88.0 x 97.0 2360	2692	17 x 7.5 18 x 7.5	245	3.90, 2.11, 1.36, 0.97, 0.75, 0.62	4.12	TBD	3000	The following parts are allowed: Cold Air Intake. Eibach 28113.880 suspension. Eibach camber kit, part #226302. Mopar rear diffuser, part # 226709. Mopar front chin spoiler. Mopar rear decklid spoiler. Front strut bar. Spectrum plug and play tuner.
Dodge/Plymouth Neon ACR SOHC/DOHC (2/4 door) (95-99)	87.5 x 83.0 1995	2667	16 x 7	235	3.50, 1.96, 1.36, 0.97, 0.81	3.94	(F) 257 x 22 Vented Disc (R) 270 x 9 Solid Disc	SOHC: 2350 DOHC: 2400	Any spring up to a maximum spring rate of 500 pounds front and 800 pound rear may be used - Cold Air Intake system allowed. OEM optional limited slip differential permitted. 32mm OEM style and configuration rear sway bar allowed. Header allowed. Front strut tower brace allowed. OBD2 requirement for ECU does not apply. Front and rear springs up to 800 lbs./inch are permitted.
Fiat 124/ Abarth Edition (16-18)	72.13 x 84.1 1368	2309	17 x 7	225	4.30, 2.30, 1.60, 1.20, 1.00, .84	3.45	280 (F) 280 (R)	2650	The following items must remain stock: shock/ struts (including mounts), original wheels, and transmission differential - unless specified below. Factory bolt-in roll bar/ cross member may be removed to facilitate roll cage installation. 30mm TIR. DG motorsports part #50-93-7100 hardtop allowed.
Fiat 500 Abarth (12-14)	72.0 x 84.0 1368	2300	17 x 7	225	3.91, 2.24, 1.52, 1.16, .87	3.35	282 F 240 R	2450	27mm Turbo Inlet Restrictor required. Front sway bar up to 25mm allowed.
Ford Fiesta ST (2014-)	1596	2490	17 x 7.5	225	3.72, 2.05 1.36, 1.03, 0.82, 0.69	3.82	(F) 280 (R) 254	2800	28mm TIR required. Eibach 35143.880, or Ford racing suspension kit (part # TBA). Spool tuning part #FFISTWBM or Cobb Tuning rear motor mount part # 892001. Whiteline # KCA412. Front strut brace. Any spring up to a maximum spring rate of 500 pounds front and 800 pound rear may be used.
Ford Focus SVT (02.5-04)	84.0 x 88.0 2000	2616	17 x 7	235	(overall) 12.7, 7.7, 5.7, 4.6, 3.8, 3.1	2.88 & 4.25	(F) 300 Vented Disc (R) 280 Solid Disc	2630	Any spring up to a maximum spring rate of 500 pounds front and 800 pound rear may be used Cold Air Intake system allowed. OEM optional limited slip differential permitted. 32mm OEM style and configuration rear sway bar allowed. Header allowed. Front strut tower brace allowed. OBD2 requirement for ECU does not apply.
Ford Focus ZX4 ST (05-06)	87.38 X 93.98 2300	2614	16 x 7	235	3.42, 2.14, 1.45, 1.03, 0.77	3.82	(F) 278 Vented Disc (R) 251 Solid Disc	2450	Any spring up to a maximum spring rate of 500 pounds front and 800 pound rear may be used Cold Air Intake system allowed. OEM optional limited slip differential permitted. 32mm OEM style and configuration rear sway bar allowed. Header allowed. Front strut tower brace allowed. OBD2 requirement for ECU does not apply.
Ford Focus (08-11)	85 x 88 1997	2614	16 x 7	235	3.67, 2.14, 1.45, 1.03, 0.77	3.56	(F) 274 Vented Disc (R) 272 Solid Disc	2550	Any spring up to a maximum spring rate of 500 pounds front and 800 pound rear may be used - Cold Air Intake system allowed. OEM optional limited slip differential permitted. 32mm OEM style and configuration rear sway bar allowed. Header allowed. Front strut tower brace allowed. OBD2 requirement for ECU does not apply.
Ford Mustang V6 (05-10)	100.4 x 84.4 4000	2724	18 x 9	245	3.75, 2.19, 1.41, 1.00, 0.72	3.31	(F) 314 Vented Disc (R) 299.8 Vented Disc	3275	ABS (option code 552) allowed. FR3 Handling Pack #M-2007-FR3V6 allowed (kit does not need to be run in its entirety). The kit includes: Dampers M-18000-A, Lowering Springs M-5300-N, Sway Bars M- 5490-C, Strut Tower Brace M-20201-F, Ford Positraction LSD part #M-4204-C75 is allowed. Any springs max F: 500 and R: 400 permitted. Any sway bar up to F: 35mm and R: 28mm permitted. Aftermarket Shocks conforming to T4 rules allowed. Panhard bar, part # BAR-M-4264-A permitted or any pan hard bar permitted must be set at same length as a stock bar, center mounting hole to center mounting hole +/- 0.25 inch. An alternative steel drive shaft is permitted; this drive shaft is otherwise unrestricted, but no modifications to other components are permitted to facilitate its installation. An Aluminum driveshaft is allowed. Any LSD permitted. Ford brake kit M-2300-D allowed. Aftermarket header allowed. GT 8.8 rear axle assembly allowed. 3.45 or 3.55 final drive ratio allowed. 7.5 rear axle assembly with 3.45:1 final drive allowed. Cold Air Intake allowed. Koni part numbers 8741-1494SPORT (front) and 8241-1240SPORT (rear). Spec clutch #SF661 and flywheel #SF66A permitted.
Ford Mustang V-6 (01-04)	96.8 x 86.0 3797	2573	16 x 7.5	245	3.37, 1.99, 1.33, 1.00, 0.67	3.27		3290	Ford Positrac LSD, part # M-4204-C75, premium trim package 012A allowed (ABS, traction control, 16 x 7.5 forged or cast aluminum wheels).
Honda Accord LX & EX (03-07)	87.0 x 99.0 2354	2670	16 x 6.5	235	3.27, 1.77, 1.15, 0.87, 0.66	4.39	(F)282 Vented Disc (R)259 Solid Disc	2700	Any spring up to a maximum spring rate of 800 pounds front and 800 pound rear may be used Cold Air Intake system allowed. OEM optional limited slip differential permitted. 32mm OEM style and configuration rear sway bar allowed. Header allowed. Front strut tower brace allowed. OBD2 requirement for ECU does not apply.

T4	Bore x Stroke(mm)/ Displ. (cc)	Wheel-base (mm)	Wheel Size (in.)	Tire Size (max)	Gear Ratios	Final Drive	Brakes (mm)	Weight (lbs)	Notes:
Honda Accord LX-S/EX/EX-L (08-12)	87.0 x 99.0 2354	2741	17 x 7.5	235	3.27, 1.78, 1.15, 0.87, 0.65	4.39	(F) 282 Vented Disc (R) 282 Solid Disc	3000	Any spring up to a maximum spring rate of 800 pounds front and 800 pound rear may be used Cold Air Intake system allowed. OEM optional limited slip differential permitted. 32mm OEM style and configuration rear sway bar allowed. Header allowed. Front strut tower brace allowed. OBD2 requirement for ECU does not apply.
Honda Civic Coupe Si (99-00)	81 x 77.4 1595	2621	15 x 7	235	3.23, 2.11, 1.46, 1.11, 0.85	4.40	(F) 262 x 20 Disc (R) 239 x 8 Disc	2430	Any spring up to a maximum spring rate of 800 pounds front and 800 pound rear may be used Cold Air Intake system allowed. OEM optional limited slip differential permitted. 32mm OEM style and configuration rear sway bar allowed. Header allowed. Front strut tower brace allowed. OBD2 requirement for ECU does not apply.
Honda Civic Coupe & Sedan EX-T (16-17) Hatch LX & Sport (2016-)	73.0 x 89.4 1496	2700	17 x 8	245	3.64, 2.08, 1.36, 1.02, 0.83, 0.69	4.10	(F) 282 x 23 Vented Disc (R) 260 x 9 Solid Disc	3050	HPD FR HPD 4th Gear Set 23460-F23S-A6, HPD RR Spring Adjuster 52691-F23S-A6, HPD Spring FR 2.5" 550LB 51401-FC4Y-A6, HPD Spring RR 2.5" 800LB 52441-FC4Y-A6, HPD Adjustable RR Upper Arm 52390-F23S-A6, HPD TCA ABS modulator permitted part #57100-F23S-A6 to disable stability and traction control, HPD Differential 41100-F23S-A6 permitted at +50lbs, 27mm TIR required. Front sway bar allowed 29mm max. Rear Sway bar allowed 22mm max.
Honda Civic Si (02-03)	86.0 x 86.0 1998	2570	15 x 7	235	3.06, 1.77, 1.21, 0.92, 0.74	4.50	(F) 262 (R) 260	2400	Any spring up to a maximum spring rate of 800 pounds front and 800 pound rear may be used Cold Air Intake system allowed. OEM optional limited slip differential permitted. 32mm OEM style and configuration rear sway bar allowed. Header allowed. Front strut tower brace allowed. OBD2 requirement for ECU does not apply.
Honda Civic Si (06-11)	86.1 x 86.0 1998	2649	17 x 8	235	3.27, 2.13, 1.52, 1.15, 0.92, 0.66	4.77	(F) 300 Vented Disc (R) 260 Solid Disc	2950	The following items must remain stock: transmission differential - unless specified below. Honda Factory Performance Suspension Kit #08W60-SVB-100 allowed. 55mm flat plate restrictor required. Eibach springs allowed (P/N 4031.140). Aftermarket Shocks conforming to T4 rules allowed. SPC Adjustable Control Arm - P/N 67466 permitted. <i>Sway bars up to 32mm front and rear permitted. Springs allowed up to 700 pounds.</i>
Honda Civic Si (12-15)	87.0 x 99.0 2354	2 door: 2620 4 door: 2670	18 x 8	235	3.27,2.04, 1.43, 1.07, .83, .65	4.75	(F) 300 x 25 Vented (R) 260 x 9 Vented	2975	Transmission and Differential must be stock. Honda Sport Suspension Kit, part number 08W60-TS9-100 permitted. H&R Sport Springs P/N 51891 and HPD part number (P/N51410F23SA00) allowed. 47mm flat plate restrictor required. SPC Rear Adjustable Control Arm - P/N 67467 or 67466 permitted. Sway bars up to 32mm front and rear permitted. Springs allowed up to 700 pounds.
Hyundai Elantra GLS (11-12)	81.0 x 87.2 1797	2649	15 x 7	235	3.62, 1.96, 1.29, 1.02, 0.87, 0.76	4.33	(F) 280x23 Vented (R) 262x10 Solid	2300	Any spring up to a maximum spring rate of 500 pounds front and 800 pound rear may be used Cold Air Intake system allowed. OEM optional limited slip differential permitted. 32mm OEM style and configuration rear sway bar allowed. Header allowed. Front strut tower brace allowed. OBD2 requirement for ECU does not apply.
Hyundai Tiburon V-6 (03-08)	86.7 x 75.0 2657	2530	17 x 8	235	3.15, 1.94, 1.33, 1.06, 0.86, 0.70	4.43	(F) 280 x26.2 Vented Disc (R) 257x10.0 Solid	3150	Accusump permitted. Any spring up to a maximum spring rate of 500 pounds front and 800 pound rear may be used Cold Air Intake system allowed. OEM optional limited slip differential permitted. 32mm OEM style and configuration rear sway bar allowed.
Hyundai Veloster Turbo/ R-Spec (14-15)	77.0 x 85.4 1591	2650	18 x 7.5	235	3.31, 1.96, 1.29, 0.98, 0.78, 0.63	4.47	(F) 300 (R) 262	2800	28mm TIR required. Eibach 4247.140, or H&R 28902-2. Sway bars up to 32mm. Front strut brace. Karbonkoncepts Veloster standard Carbon fiber front splitter (2x2") Front camber bolts. Pierce motorsport pmut-rcamkit.
Kia Forte Koup and Sedan LX/EX (10-13)	86.0 x 86.0 1998	2649	17 x 6	235	3.31, 1.97, 1.19, 0.90, 0.70	4.19	(F) 280 Vented (R) 262 Solid	2490	Any spring up to a maximum spring rate of 500 pounds front and 800 pound rear may be used Cold Air Intake system allowed. OEM optional limited slip differential permitted. 32mm OEM style and configuration rear sway bar allowed. Header allowed. Front strut tower brace allowed. OBD2 requirement for ECU does not apply.
Kia Forte Koup and Sedan SX (10-13)	88.0 x 97.0 2359	2649	17 x 7	235	3.27,1.93, 1.64, 1.22, 1.03, 0.83	4.06 (1, 2) 2.96 (3, 4, 5, 6)	(F) 300 Vented (R) 262 Solid	2870	Any spring up to a maximum spring rate of 500 pounds front and 800 pound rear may be used Cold Air Intake system allowed. OEM optional limited slip differential permitted. 32mm OEM style and configuration rear sway bar allowed. Header allowed. Front strut tower brace allowed. OBD2 requirement for ECU does not apply.
Kia Forte Koup (14-15)	85.4 x 77.0 1591	2693	18 x 7.5	245	3.31, 1.96, 1.26, .98, .78, .63	4.47	(F) 300mm (R) 262mm	2850	29mm TIR required. Eibach 4617.140. Front strut tower brace. Sway bars up to 30mm.

T4	Bore x Stroke(mm)/ Displ. (cc)	Wheel-base (mm)	Wheel Size (in.)	Tire Size (max)	Gear Ratios	Final Drive	Brakes (mm)	Weight (lbs)	Notes:
Mazda MX-5 / Miata Sport (99-00)	83.0 x 85.0 1839	2266	15 X 7	225	3.14, 1.89, 1.33, 1.00, 0.81	4.3	(F) 255 Vented Disc (R) 252 Solid Disc	2400	The following items must remain stock unless permitted below: shock/struts (including mounts), original wheels, and transmission differential. Rear interior brace may be removed for cage installation. As delivered w/ no performance kits or parts deletions. Spec Miata front and rear sway bar permitted. Spec Miata suspension kit (Bilstein or Penske SM kit shock absorber) allowed. Cold Air Intake allowed. 32mm OEM style and configuration rear sway bar allowed. De-powered steering rack permitted. Wheels meeting the Spec Miata requirements are allowed.
Mazda MX-5 / Miata (01-05)	83.0 x 85.0 1839	2266	16 x 7 15 x 7	15": 215 16": 225	3.14, 1.89, 1.33, 1.00, 0.81	4.3	(F) 254 Vented Disc (R) 252 Solid Disc Suspension Package: (F) 269.5 Vented Disc (R) 267.9 Solid Disc	2400	The following items must remain stock unless permitted below: shock/struts (including mounts), original wheels, transmission and differential. Factory "Sports" pkg. allowed. Optional Torsen limited slip differential allowed. Power steering delete option allowed. Spec Miata front and rear sway bar permitted. Allow Spec Miata suspension kit. Cold Air Intake allowed. 32mm OEM style and configuration rear sway bar allowed. De-powered steering rack permitted. Wheels meeting the Spec Miata requirements are allowed. Any non-adjustable shock permitted with the Spec Miata suspension kit.
Mazda MX-5 / Club Model (06-15)	87.4 x 83.1 2000	2330	17 x 7	225	3.82, 2.26, 1.64, 1.18, 1.00, 0.83/0.79 or 3.14, 1.89, 1.33, 1.00, 0.81 (5 spd)	4.10	(F)290 Vented Disc (R)280 Solid Disc	2600	Factory bolt-in roll bar/cross member may be removed to facilitate roll cage installation. MSR option permitted. Suspension package permitted with a 100 lbs. weight increase that includes the following parts: front spring mount PT#-0000-04-5259, front springs #0000-04-9700-08, rear spring mount PT#-0000-04-5258, rear springs #0000-04-9400-07, helper springs #0000-04-HLPR-EB (optional), Swaybar kit - PT#-0000-04-5306-EB that includes (front sway bar kit PT#0000-04-5306-FT, rear sway bar kit PT#-0000-04-5306-RR), offset front camber bushing PT#-0000-04-5407-NC. Mazda Motorsports cold air intake part #0000-06-5150-KT allowed. Mazda Motorsport RX8 rear Hub Conversion kit part number 0000-04-5811-KT allowed, RX8 front hubs PT# F189-33-04X allowed. The SM5 suspension (only) is allowed with a 100 lbs. weight increase. Allow Mazda header part numbers 0000-06-5407 or 0000-06-5407-NC. Any OEM or aftermarket hardtop is permitted that retains the OEM roof silhouette, including Mazda hardtop and part #0000-07-5901-CC. Aftermarket power steering reservoir is allowed. Mazda Transmission kit part # 0000-02-5700. Mazda Motorsports LSD #32655 permitted without penalty. Any other non-OEM limited slip differential allowed with +50 lbs. weight penalty.
<i>Mazda MX5 Miata/Club/ RF (19-21)</i>	<i>83.5 x 91.2 1998</i>	<i>2309</i>	<i>17 x 7</i>	<i>225</i>	<i>5.09, 2.99, 2.04, 1.59, 1.29, 1.00</i>	<i>2.87</i>	<i>280mm</i>	<i>2800</i>	<i>Factory bolt-in roll bar/ cross member may be removed to facilitate roll cage installation. The following item(s) must remain stock: transmission differential unless specified below. Retractable hardtop option permitted but must be disabled from moving action and positively fastened. Any OEM or aftermarket hardtop is permitted that retains the OEM roof silhouette, including Mazda hardtop part #0000-07-5902-ND and part #0000-07-5901 (discontinued DG Motorsports). 29mm (f) 16mm (r) sway bars allowed</i>
Mazda MX-5 Miata/Club (16-18)	2000	2309	17 x 7	225	5.09, 2.99, 2.04, 1.59, 1.29, 1.00	2.87	280mm	2650	Factory bolt-in roll bar/ cross member may be removed to facilitate roll cage installation. The following item(s) must remain stock: transmission differential - unless specified below. Retractable hardtop option permitted but must be disabled from moving action and positively fastened. Any OEM or aftermarket hardtop is permitted that retains the OEM roof silhouette, including Mazda hardtop part #0000-07-5902-ND and part #0000-07-5901 (discontinued DG Motorsports). 29mm (f) 16mm (r) sway bars allowed. Suspension package permitted with a 100 lbs. weight increase that includes the following parts: front springs #0000-04-9700-08, rear springs #0000-04-9400-07, helper springs #0000-04-HLPR-EB (optional).
Mazda Protégé ES (2000)	83.0 x 85.0 / 1839	2611	15 x 7	235	3.42, 1.84, 1.29, 1.03, 0.78	4.11	(F) 2690 Vented Disc (R) 201 Drum	2430	May update to MP3 specs. Any spring up to a maximum spring rate of 500 pounds front and 800 pound rear may be used cold air intake system allowed. OEM optional limited slip differential permitted. 32mm OEM style and configuration rear sway bar allowed. Header allowed, Front strut tower brace allowed, OBD2 requirement for ECU does not apply. Secondary ECU tuning device allowed.
Mazda Protégé LX, ES (01-03)	83.0 x 92.0 1991	2610	15 x 7	225	3.31, 1.84, 1.31, 0.97, 0.76	4.11	(F) 259 x 23 Vented Disc (R) 201 x 36 Drum	2430	May update to MP3 specs. Any spring up to a maximum spring rate of 500 pounds front and 800 pound rear may be used Cold Air Intake system allowed. OEM optional limited slip differential permitted. 32mm OEM style and configuration rear sway bar allowed. Header allowed. Front strut tower brace allowed. OBD2 requirement for ECU does not apply.
Mazda Protégé 5 (02-03)	83.0 x 92.0 1991	2610	16 x 7	235	3.31, 1.84, 1.31, 0.97, 0.76	4.11	(F) 10.2 x .9 Vented Disc (R) 10.3 x .4 Solid Disc	2445	Any spring up to a maximum spring rate of 500 pounds front and 800 pound rear may be used Cold Air Intake system allowed. OEM optional limited slip differential permitted. 32mm OEM style and configuration rear sway bar allowed. Header allowed. Front strut tower brace allowed. OBD2 requirement for ECU does not apply.

T4	Bore x Stroke(mm)/ Displ. (cc)	Wheel-base (mm)	Wheel Size (in.)	Tire Size (max)	Gear Ratios	Final Drive	Brakes (mm)	Weight (lbs)	Notes:
Mazda RX-8 Base/R3/Sport/GT (04-12)	2600	2703	18 X 8	225	3.76, 2.27, 1.65, 1.19, 1.0, 0.84 Alt: 3.82, 2.26, 1.54, 1.18, 1.00, 0.79	4.44 Alt: 4.78	(F) 323 Vented Disc (R) 303 Vented Disc	3125	Mazdaspeed radiator #0000-01-8501 allowed. Use of 2009 R3 transmission is permitted with alternate gear ratios as listed. R3 transmission must be paired with the listed alternate final drive. Mazdaspeed coil spring kit #QSEA-34-01Z allowed. 60mm flat plate restrictor required. OE Rear spoiler allowed #F151-V4-920F. OE front air dam allowed #F151-V4-900f-BB. Springs Allowed: (F) Mazda Motorsports- 0000- 04-9700-08 or Eibach- 0800.250.0700 (R) Mazda Motorsports- 0000-04-9400-07 or Eibach 0700.250.0400, and helper 0000-04-9926 allowed. Alternate sway bars allowed max 32mm (f) 19mm (r).
Mazda3 s (04-09)	87.5 x 94.0 2260 or 87.5 x 83.1 1999	2639	16 x 7 or 17 x 8	245	3.31, 1.84, 1.31, 0.97, 0.76	4.1	(F) 300 Vented Disc (R) 280 Solid Disc	2.31 2500 2.01 2425	ABS option allowed. Miata speedometer gear #M527-17-400A permitted. Any spring up to a maximum spring rate of 500 pounds front and 800 pound rear may be used Cold Air Intake system allowed. OEM optional limited slip differential permitted. Non-OEM limited slip differential allowed + 25 lbs. 32mm OEM style and configuration rear sway bar allowed. Header allowed. Front strut tower brace allowed. OBD2 requirement for ECU does not apply. Corksport balance shaft delete part# GEN-6-504-10 permitted.
Mazda3 s (10-13)	89.0 x 100.0 2489	2640	17 x 8	235	3.45, 2.06, 1.39, 1.03, 0.84, 0.72	4.11	(F)300 Vented Disc (R)280 Solid Disc	2815	Any spring up to a maximum spring rate of 500 pounds front and 800 pound rear may be used Cold Air Intake system allowed. OEM optional limited slip differential permitted. 32mm OEM style and configuration rear sway bar allowed. Header allowed. Front strut tower brace allowed. OBD2 requirement for ECU does not apply.
Mazda3 (14-18)	89.0 x 100.0 2488	2700	18 x 8	245	3.36, 1.95, 1.30, 1.03, 0.84, 0.68	3.85	(F) 296mm (R) 265mm	2900	Any spring up to 800 lbs. front and 1000 lbs. rear springs may be used. Aftermarket wheels at a min. weight of 15 lbs. each. Cold air intake. Rotor camber plates. 25mm max rear sway bar allowed. Any year OEM Mazda 3 mirrors allowed. CorkSport rear camber arms (Part# AXM-3-318-10) permitted. Header allowed. RH Caliper GHY9-33-99Z, LH Caliper GHY9-33-98Z, Rotor GHR1-33-251A allowed.
Mazda6 s (03-07)	89.0 x 79.5 2967	2675	16 x 7 17 x 7 18 x 7	235	3.80, 2.13, 1.36, 0.94, 0.69	3.71	(F) 282 Vented Disc (R) 280 Solid Disc	3200	The following items must remain stock: original wheels, and transmission differential - unless specified below. Rear sway bar: Mazdaspeed #GRMS-8M-L06-R and front sway bar #GRMS-8M-L06-F permitted. 500 lbs. max front spring rate, 800 lbs. max rear spring rate. Any non-adjustable shock allowed.
Mercedes Benz CLK 320 Coupe (2004)	89.9 x 84 3299	2690	17 x 8	245	3.95, 2.42, 1.49, 1.00, 0.83	3.07	(f) 300 mm (R) 290 mm	3200	EIBACH PN# 2563.140 allowed.
Mini Cooper S (02-04)	77.0 x 85.8 1598	2467	16 x 7	225	4.17, 2.62, 1.97, 1.61, 1.33, 1.09	2.74	(F) 277 Vented Disc (R) 259 Solid Disc	2750	Convertible model not allowed. Any spring up to a maximum spring rate of 500 lbs. front and 800 lbs. rear may be used.
Mini Cooper S (05-06)	77.0 x 85.8 1598	2467	16 x 7	225	overall: 12.79, 7.79, 5.65, 4.62, 3.83, 3.13	N/A	(F) 277 Vented Disc (R) 259 Solid Disc	2750	Convertible model not allowed. Any spring up to a maximum spring rate of 500 lbs. front and 800 lbs. rear may be used.
Mini Cooper S (07-13)	77.0 x 85.8 1598	2467	17 x 7	225	3.31, 2.13, 1.48, 1.14, 0.95, 0.82	3.65	(F) 280 Vented Disc (R) 259 Solid Disc	2750	The following items must remain stock: shock/struts (including mounts), original wheels, and transmission differential - unless specified below. Convertible model not allowed. Factory optional limited slip differential allowed. JCW struts (F) 31 31 6 768 410 (R)33 52 6 768 412, springs (F)31 33 6 768 415 (R)33 53 6 768 418. May de-camber wheels by the use of slotted adjusters at the top of the strut mounting plates. They shall be located on the existing chassis structure, utilizing the manufacturers original bolt holes and may not serve as reinforcement for that structure. Any spring up to a maximum spring rate of 500 lbs. front and 800 lbs. rear may be used. 28mm TIR required.
Mini Cooper S (2016-)	82.0 x 94.6 1998	2429	17 X 8	225	3.92, 2.14, 1.39, 1.09, 0.89, 0.76	3.59	(F) 316 x 22 (R) 280 x 10	2900	28mm TIR required.
Mitsubishi Eclipse GT (00-05)	91.2 x 75.9 2972	2561	17 x 6.5	235	3.33, 2.10, 1.41, 1.03, 0.76	3.74	(F) 277 x 23 Vented Disc (R) 262 x 11 Solid Disc	3100	The following items must remain stock: shock/struts (including mounts), original wheels, and transmission differential - unless specified below.

GCR - 693

9.1.9.2. T4 Spec Lines

T4	Bore x Stroke(mm)/ Displ. (cc)	Wheel- base (mm)	Wheel Size (in.)	Tire Size (max)	Gear Ratios	Final Drive	Brakes (mm)	Weight (lbs)	Notes:
Nissan Sentra SER (02-03)	89.0 x 100.0 2488	2535	16 x 7	235	3.15, 1.84, 1.26, 0.95, 0.77	4.133	(F) 280 x 22 Vented Disc (R) 258 x 9 Solid Disc	2725	Any spring up to a maximum spring rate of 500 pounds front and 800 pound rear may be used. Cold Air Intake system allowed. OEM optional limited slip differential permitted. 32mm OEM style and configuration rear sway bar allowed.
Nissan Sentra SER Spec-V (02-06)	89.0 x 100.0 2488	2535	17 x 7	235	3.15, 1.94, 1.39, 1.06, 0.81, 0.63	4.13	(F) 280 x 22 Vented Disc (R) 232 x 7 Solid Disc	2750	Any spring up to a maximum spring rate of 500 lbs. front and 800 lbs. rear may be used. Cold Air Intake system allowed. OEM optional limited slip differential permitted. 32mm OEM style and configuration rear sway bar allowed. Header allowed. Front strut tower brace allowed. OBD2 requirement for ECU does not apply. Balance shaft removal kit- OQR25-NOBAL permitted.
Nissan Sentra Spec-V (07-08)	89.0 x 100.0 2488	2535	17 x 7	235	3.15, 1.94, 1.39, 1.06, 0.81, 0.63	4.13	(F) 305 Vented Disc (R) 278 Solid Disc	3100	Factory Brembo brakes allowed. OEM optional limited slip differential permitted.
Nissan Sentra SE-R Spec V (07-12)	89 x 100 2500	2685	17 x 8	245	3.15, 1.95, 1.39, 1.06, 0.81, 0.63	4.43	(F) 320 (R) 292	3000	Any spring up to 800# allowed Front and rear. Any rear sway bar up to 25mm allowed.
Pontiac Firebird V-6 (96-02)	96.5 x 86.36 3790	2568	16 x 8	275	3.75, 2.19, 1.41, 1.00, 0.72	3.42 alt. 3.23	(F) 302 x 32 Disc (R) 305 x 25 Disc	3250	The following items must remain stock: shock/struts (including mounts), and transmission differential - unless specified below. Performance option permitted, consisting of limited slip differential, uplevel steering rack, dual exhaust. GM PS cooler #10417037 allowed. Z-28 front sway bar (30mm) and rear sway bar (19mm) allowed. GM 1LE front (#26032907 32mm) and rear (#10021221 21 mm) sway bar allowed. Front spring rate shall be 280-320 lbs. per inch and the minimum free length is 13 3/4 inches. Koni Shocks, 8241- 1139 (F) and 8241-1140 (R) permitted. SP-141 front and rear springs permitted; SP-8316 front sway bar and SP- 8327 rear sway bar permitted; BMR suspension strut tower brace # STB-002 is permitted. K&N Cold Air Intake Kit FIPK (57-3041) allowed.
Pontiac Solstice / Saturn Sky (06-09)	88.0 x 98.0 2384	2415	18 x 8	245	3.75, 2.26, 1.37, 1.00, 0.73 or 3.75, 2.26, 1.51, 1.00, 0.73	3.91	(F) 296 Vented Disc (R) 278 Solid Disc	2800	The following items must remain stock: transmission differential - unless specified below. Detachable hardtop GM part # PCS-0664 may be installed (if a hardtop is used, latches shall be replaced w/ positive fasteners and convertible top shall be removed). Factory ABS (JL), and suspension option (ZOK) allowed. Cold Air intake permitted. Eibach springs permitted (part # 4.11138), ST sway bar kit allowed (part # 52246). Any non-adjustable shock permitted and adjustable spring perch to meet ride height requirement. Header permitted. Any LSD Permitted. Minimum ride height is 3 inches. Springs up to 600lb (front and rear) allowed.
Scion tC (03-07)	88.5 x 96.0 2326	2700	17 x 7	235	3.54, 2.05, 1.33, 0.97, 0.78	4.24	(F) 275 Vented Disc (R) 269 Solid Disc	2600	Any spring up to a maximum spring rate of 500 pounds front and 800 pound rear may be used. Cold Air Intake system allowed. OEM optional limited slip differential permitted. 32mm OEM style and configuration rear sway bar allowed. Header allowed. Front strut tower brace allowed. OBD2 requirement for ECU does not apply.
Scion FR-S/10 series (13-16)	86 x 86.0 1998	2570	17 x 7	225	3.63, 2.19, 1.54, 1.21, 1.00, .77	4.10	(F) 295 Vented Disc (R) 290 Vented Disc	2925	Eibach 82105.320, 4.10582 and SPC 67660 allowed. Front strut tower brace allowed. Raceseng, part # raceseng-ft86-r-shock-top permitted. Non-OEM limited slip differential allowed with +50 lbs. weight penalty. 55mm flat plate restrictor required. Only 17" wheels permitted.
Scion FR-S Solo® Spec Coupe (13-16)	86.0 x 86.0 1998	2570	17 x 8	see notes	3.63, 2.19, 1.54, 1.21, 1.00, 0.77	4.10	(F) 295 Vented Disc (R) 290 Vented Disc	2800	Modifications limited to 2020 SCCA® Solo® Spec Coupe Official Specifications, Rev 7/20. Tires: Any 200TW 225/45/17 DOT tire permitted. Fuel not restricted to 93 octane. Safety, drivers comfort, driver control and instrumentation items may be modified per the GCR. All other SCCA road racing safety standards apply. GCR cage rules apply and include allowances to remove or alter interior parts and trim pieces to facilitate cage installation. Interior carpet and padding, passenger and rear seats may be removed. Parts superseded by Toyota® or Subaru® may be used on either vehicle. No additional touring allowances permitted beyond noted here. Note to competitors: https://www.scca.com/downloads/40090-2018-01-30-solo-spec-coupe/download
Scion TC (14-15)	90.0 x 98.0 2494	2693	17 x 7.5	245	3.54, 2.05, 1.38, 1.02, 0.88, 0.73	4.06		2950	Eibach 4.10182.880, or Scion suspension kit (Part # TBA) Sway bars up to 30mm. Cold air intake. Aftermarket header. Front strut tower brace.

T4	Bore x Stroke(mm)/ Displ. (cc)	Wheel-base (mm)	Wheel Size (in.)	Tire Size (max)	Gear Ratios	Final Drive	Brakes (mm)	Weight (lbs)	Notes:
Subaru BRZ/ BRZ Limited (13-16)	86 x 86.0 1998	2570	17 x 7	225	3.63, 2.19, 1.54, 1.21, 1.00, 0.77	4.10	(F) 295 Vented Disc (R) 290 Vented Disc	2925	Eibach 82105.320, 4.10582 and SPC 67660 allowed. Front strut tower brace allowed. Raceseng, part # raceseng-ft86-r-shock-top permitted. Non-OEM limited slip differential allowed with +50 lbs. weight penalty. 55mm flat plate restrictor required. Only 17" wheels permitted.
Subaru BRZ Solo® Spec Coupe (13-16)	86.0 x 86.0 1998	2570	17 x 8	see notes	3.63, 2.19, 1.54, 1.21, 1.00, 0.77	4.10	(F) 295 Vented Disc (R) 290 Vented Disc	2800	Modifications limited to 2020 SCCA® Solo® Spec Coupe Official Specifications, Rev 7/20. Tires: Any 200TW 225/45/17 DOT tire permitted. Fuel not restricted to 93 octane. Safety, drivers comfort, driver control and instrumentation items may be modified per the GCR. All other SCCA road racing safety standards apply. GCR cage rules apply and include allowances to remove or alter interior parts and trim pieces to facilitate cage installation. Interior carpet and padding, passenger and rear seats may be removed. Parts superseded by Toyota® or Subaru® may be used on either vehicle. No additional touring allowances permitted beyond noted here. Note to competitors: https://www.scca.com/downloads/40090-2018-01-30-solo-spec-coupe/download
Subaru BRZ (17-21)	86.0 x 86.0 1998	2570	17 x 7	225	3.63, 2.19, 1.54, 1.21, 1.00, 0.77	4.30	(F) 295 Vented Disc (R) 290 Vented Disc	3000	Eibach 82105.320, 4.10582 and SPC 67660 allowed. Front strut tower brace allowed. Raceseng, part # raceseng-ft86-r-shock-top permitted. Non-OEM limited slip differential allowed with +50 lbs. weight penalty. 55mm flat plate restrictor required. Only 17" wheels permitted.
Subaru Impreza (non-turbo) (04-06)	99.5 x 79.0 2457	2524.8	16 x 7	235	3.45, 2.06, 1.45, 1.09, 0.78	4.11	(F) 274.3 Vented Disc (R) 261.6 Solid Disc	2835	Any spring up to a maximum spring rate of 500 pounds front and 800 pound rear may be used. Cold Air Intake system allowed. OEM optional limited slip differential permitted. 32mm OEM style and configuration rear sway bar allowed. Header allowed. Front strut tower brace allowed. OBD2 requirement for ECU does not apply.
Subaru Impreza (08-11)	99.5 x 79.0 2457	2620	17 x 7	235	3.45, 2.06, 1.45, 1.09, 0.78	3.90	(F) 255 x24 Vented (R) 280 x10 Solid	2850	Any spring up to a maximum spring rate of 500 pounds front and 800 pound rear may be used. Cold Air Intake system allowed. OEM optional limited slip differential permitted. 32mm OEM style and configuration rear sway bar allowed. Header allowed. Front strut tower brace allowed. OBD2 requirement for ECU does not apply.
Subaru Legacy Outback (00-04)	89.0 x 80.0 3000	2650	17 x 8	245	2.79, 1.55, 1.00, 0.69	4.11	(F) 290 (R) 287	3400	SPC rear camber arm PN 67665 allowed. Front and rear sway bar up to 32mm allowed. Any non-adjustable coil-over shock allowed. Springs up to 800lb front/rear allowed.
Toyota Celica GT (00-05)	79.0 x 91.5 1794	2600	15 x 7	215			(F) 254 Vented Disc (R) 192 Drum	2400	Any spring up to a maximum spring rate of 800 pounds may be used. 32mm OEM style and configuration rear sway bar allowed. Moroso oil pan 20970 allowed. Header allowed. Front strut tower brace allowed, OBD2 requirement for ECU does not apply.
Toyota Celica GTS/GT (00-05)	82.0 x 85.0 1796	2598	16 x 7	225	3.17, 2.05, 1.48, 1.17, 0.92, 0.73	4.53	(F) 280 Vented (R) 262 Solid	2775	TRD Sway Bars Part #PTR06-20002-01 permitted. ABS option allowed. Canton Accusump #24-026, install sandwich #24-700, valve #24-260, and related hoses and brackets allowed. Any spring up to a maximum spring rate of 800 pounds may be used. 32mm OEM style and configuration rear sway bar allowed. Moroso oil pan 20970 allowed. Hotchkis Sport Front Sway Bar Part: SKU:22400 is allowed. If GT car is used, all specs must meet GTS spec line.
Toyota Corolla XRS (05-06)	82.0 x 85.0 1796	2598	16 x 7	225	3.17, 2.05, 1.48, 1.17, 0.92, 0.73	4.53	(F) 280 Vented (R) 262 Solid	2625	Canton Accusump #24-026, install sandwich #24-700, valve #24-260, and related hoses and brackets allowed. Any spring up to a maximum spring rate of 800 pounds may be used. OEM optional limited slip differential permitted. Up to 32mm OEM style and configuration rear sway bar permitted. Header allowed. Front strut tower brace allowed. OBD2 requirement for ECU does not apply. Moroso oil pan 20970 allowed. Cold Air Intake permitted.
Toyota MR-2 Spyder 16V DOHC (00-07)	2001: 79.0 x 91.5 1794 02-03: 81.0 x 77.0 1587	2450	01-02: (F) 15 x 6 (R) 15x6.5 03-05: (F) 15 x 6 (R) 16 x 7	235	3.17, 1.90, 1.39, 1.03, 0.82	3.25		2270	Header allowed. Front strut tower brace allowed. OBD2 requirement for ECU does not apply. Eibach 8265.140 springs allowed. Non-OEM limited slip differential allowed +50lb.
Toyota 86, GT (17-21)	86.0 x 86.0 1998	2570	17 x 7	225	3.63, 2.19, 1.54, 1.21, 1.00, 0.77	4.30	(F) 295 Vented Disc (R) 290 Vented Disc	3000	Eibach 82105.320, 4.10582 and SPC 67660 allowed. Front strut tower brace allowed. Raceseng, part # raceseng-ft86-r-shock-top permitted. Non-OEM limited slip differential allowed with +50 lbs. weight penalty. 55mm flat plate restrictor required. Only 17" wheels permitted.

GCR - 695

9.1.9.2. T4 Spec Lines

T4	Bore x Stroke(mm)/ Displ. (cc)	Wheel-base (mm)	Wheel Size (in.)	Tire Size (max)	Gear Ratios	Final Drive	Brakes (mm)	Weight (lbs)	Notes:
Volkswagen Golf TDI (2010)	81 x 95.5 2000	2575	18 X 8	245	STD- 3.77, 1.96, 1.26, 0.87, 0.86, 0.72 or DSG- 3.46, 2.05, 1.30, 0.90, 0.91, 0.76	STD- 3.68, 2.92 DSG- 4.12, 3.04	(F) 288 (R) 253	STD: 3300 DSG: 3350	30 TIR required, any spring rate up 800 Max F/R permitted, Max F/R sway bars to 32mm
Volkswagen Passat (12-14)	82.55 X 92.71 2481	2804	16 X 7 17 X 7	235	3.78 2.12 1.27 0.86 0.66	3.65	(F) 312 Vented Disc (R) 271 Solid Disc	3000	Any spring up to a maximum spring rate of 800 pounds may be used. Cold Air Intake system allowed. OEM optional limited slip differential permitted. 32mm OEM style and configuration rear sway bar allowed.
Volkswagen Passat TDI (12-14)	81.0 x 95.5 1966	2804	17 x 7 18 x 8	245	STD- 3.77, 1.96, 1.26, 0.87, 0.86, 0.72 DSG- 3.46, 2.05, 1.30, 0.90, 0.91, 0.76	STD- 3.68, 2.92 DSG- 4.12, 3.04	(F) 312 Vented disc (R) 272 Solid disc	3300 DSG: 3350	30mm TIR required.
Volkswagen Passat 1.8T (2014-)	82.6 x 84.1 1802	2804	18 x 8	235	3.78 2.12 1.27 0.86 0.66	3.65	(F) 312 Vented Disc (R) 272 Solid Disc	3300	The following items must remain stock: shock/struts (including mounts), original wheels, and transmission differential - unless specified below. 30 mm turbo inlet restrictor required. Any spring up to a maximum spring rate of 500 pounds may be used with the stock attachment perches.
Volkswagen Rabbit 2.5 (06-07)	82.55 x 92.71 2481	2578.1	17 x 8	235	3.78, 2.12, 1.36, 1.03, 0.77	3.65	(F) 228 Vented Disc (R) 260 Solid Disc	2675	Any spring up to a maximum spring rate of 800 pounds may be used. Cold Air Intake system allowed. OEM optional limited slip differential permitted. 32mm OEM style and configuration rear sway bar allowed. Header allowed. Front strut tower brace allowed. OBD2 requirement for ECU does not apply.
Volkswagen Rabbit 2.5 (08-09)	82.55 x 92.71 2481	2578.1	17 x 8	235	3.78, 2.12, 1.36, 1.03, 0.77	3.65	(F) 228 Vented Disc (R) 260 Solid Disc	2675	Any spring up to a maximum spring rate of 800 pounds may be used. Cold Air Intake system allowed. OEM optional limited slip differential permitted. 32mm OEM style and configuration rear sway bar allowed. Header allowed. Front strut tower brace allowed. OBD2 requirement for ECU does not apply.

T5	<i>Bore x Stroke(mm)/ Displ. (cc)</i>	<i>Wheel- base (mm)</i>	<i>Horse- power/ Torque</i>	<i>Wheels</i>	<i>Gear Ratios</i>	<i>Final Drive</i>	<i>Brakes (mm)</i>	<i>Weight (lbs)</i>	<i>Notes:</i>
<i>Acura Integra LS (95-01)</i>	<i>81.0 x 89.0 1835 B18B1</i>	<i>2571</i>	<i>140/127</i>	<i>15 x 7</i>	<i>3.17, 1.86, 1.26, 0.94, 0.74</i>	<i>4.4</i>	<i>(F) 262 x 21 Vented Disc (R) 239 x 10</i>	<i>2685</i>	
<i>Acura RSX (02-06)</i>	<i>86.1 x 86.0 1988 K20A3</i>	<i>2570</i>	<i>160/132</i>	<i>16 x 7</i>	<i>3.27, 1.88, 1.21, 0.92, 0.74</i>	<i>4.4</i>	<i>(F) 262 x 21 Vented Disc (R) 260 x 9 Solid Disc</i>	<i>2775</i>	
<i>Chevrolet Cobalt (05-10)</i>	<i>86.0 x 96.4 2198 Ecotech L61</i>	<i>2628</i>	<i>145/155</i>	<i>17 x 7</i>	<i>3.58, 2.02, 1.35, 0.98, 0.69</i>	<i>3.94</i>	<i>(F) 296 Vented Disc (R) 270 Solid Disc</i>	<i>2850</i>	
<i>Chevrolet Cruz</i>	<i>1796 Ecotech</i>	<i>2692</i>	<i>138/130</i>	<i>17 x 7</i>	<i>3.58, 2.02, 1.35, 0.98, 0.69</i>	<i>3.94</i>	<i>(F) 296 Vented Disc (R) 270 Solid Disc</i>	<i>2850</i>	
<i>Chrysler Neon ACR (95-99)</i>	<i>(SOHC)</i>	<i>2642</i>	<i>132/129</i>	<i>15 x 7</i>	<i>3.50, 1.96, 1.38, 0.97, 0.81</i>	<i>3.95</i>	<i>(F) 257 x 22 Vented Disc (R) 270 x 9 Solid Disc</i>	<i>2480</i>	
<i>Chrysler Neon ACR (95-99)</i>	<i>(DOHC)</i>	<i>2642</i>	<i>150/133</i>	<i>15 x 7</i>	<i>3.50, 1.96, 1.38, 0.97, 0.81</i>	<i>3.95</i>	<i>(F) 257 x 22 Vented Disc (R) 270 x 9 Solid Disc</i>	<i>2680</i>	
<i>Chrysler Neon ACR (00-02)</i>	<i>87.5 x 83.0 (SOHC)</i>	<i>2667</i>	<i>150/132</i>	<i>17 x 7</i>	<i>3.50, 1.96, 1.36, 0.97, 0.81</i>	<i>3.94</i>	<i>(F) 257 x 22 Vented Disc (R) 270 x 9 Solid Disc</i>	<i>2680</i>	
<i>Dodge Dart (14-16)</i>	<i>88.0 x 97.0 2360</i>	<i>2703</i>	<i>160/148</i>	<i>17 x 7</i>	<i>3.90, 2.11, 1.36, 0.97, 0.75, 0.62</i>	<i>4.12</i>		<i>2925</i>	
<i>Ford Focus ZX-3 (00-03)</i>	<i>84.0 x 88.0 1988</i>	<i>2616</i>	<i>130/135</i>	<i>16 x 7</i>	<i>3.67, 2.14, 1.45, 1.03, 0.77</i>	<i>3.82</i>	<i>(F) 259 x 23 Vented Disc (R) 203 x 31 Drum</i>	<i>2520</i>	<i>Engine breather hose may be routed to a catch can; the resultant opening in the air box must be plugged.</i>
<i>Ford Focus ZX4 ST (05- 06)</i>	<i>87.38 X 93.98 2300</i>	<i>2614</i>	<i>151/154</i>	<i>16 x 7</i>	<i>3.42, 2.14, 1.45, 1.03, 0.77</i>	<i>3.82</i>	<i>(F) 278 Vented Disc (R) 251 Solid Disc</i>	<i>2900</i>	<i>Engine breather hose may be routed to a catch can; the resultant opening in the air box must be plugged.</i>
<i>Honda Civic EX (96-00)</i>	<i>75.0 x 90.0 1590 D16Y8</i>	<i>2621</i>	<i>127/107</i>	<i>15 x 7</i>	<i>3.25, 1.90, 1.25, 0.91, 0.70</i>	<i>4.25</i>	<i>(F) 262 Vented Disc (R) 201 Drum</i>	<i>2300</i>	

T5	<i>Bore x Stroke(mm)/ Displ. (cc)</i>	<i>Wheel- base (mm)</i>	<i>Horse- power/ Torque</i>	<i>Wheels</i>	<i>Gear Ratios</i>	<i>Final Drive</i>	<i>Brakes (mm)</i>	<i>Weight (lbs)</i>	<i>Notes:</i>
<i>Honda Civic (01-05)</i>	<i>86.0 x 86.0 1998 K20A3</i>		<i>160/132</i>	<i>16 x 7</i>				<i>2775</i>	
<i>Honda Civic (06-10)</i>	<i>86.0 x 86.0 1998 K20Z2</i>		<i>153/139</i>	<i>17 x 7</i>				<i>2775</i>	
<i>Mazda3 s (04-09)</i>	<i>2000</i>	<i>2639</i>	<i>148/135</i>	<i>17x 7</i>	<i>3.31, 1.84, 1.31, 0.97, 0.76</i>	<i>4.1</i>	<i>(F) 300 Vented Dlsc (R) 280 Solid Disc</i>	<i>2690</i>	
<i>Mazda3 s (04-09)</i>	<i>87.5 x 94.0 2260</i>	<i>2639</i>	<i>160/150</i>	<i>17x 7</i>	<i>3.31, 1.84, 1.31, 0.97, 0.76</i>	<i>4.1</i>	<i>(F) 300 Vented Dlsc (R) 280 Solid Disc</i>	<i>2945</i>	
<i>Mazda3 s (2010)</i>	<i>1999 Skyactiv G 2.0</i>	<i>2640</i>	<i>157/148</i>	<i>17 x 7</i>	<i>3.45, 2.06, 1.39, 1.03, 0.84, 0.72</i>	<i>4.1</i>	<i>(F)300 Vent- ed Disc (R)280 Solid Disk</i>	<i>2900</i>	
<i>Toyota Corolla XRS (2005)</i>	<i>82.0 x 85.0 1796</i>	<i>2601</i>	<i>158/162</i>	<i>16 x 7</i>	<i>3.17, 2.05, 1.48, 1.17, 0.92, 0.73</i>	<i>4.53</i>	<i>(F) 275.1 Vented Disc (R) 269.24 Vented Dlsc</i>	<i>3040</i>	
<i>Toyota Corolla (14-18)</i>	<i>1798 2ZR-FAE</i>		<i>148/129</i>	<i>17 x 7</i>				<i>2630</i>	
<i>VW Golf/Jetta/ Rabbit (03-05)</i>	<i>1948</i>	<i>2578</i>	<i>150/148</i>	<i>17 x 7</i>				<i>2830</i>	
<i>VW Golf/Jetta/ Rabbit (06-07)</i>	<i>82.55 x 92.71 2481</i>	<i>2578</i>	<i>150/170</i>	<i>17 x 7</i>	<i>3.78, 2.12, 1.36, 1.03, 0.77</i>	<i>3.65</i>	<i>(F) 228 Vent- ed Disc (R) 260 Solid Disk</i>	<i>3040</i>	

9.1.10. B-SPEC CATEGORY

These specifications are presented as an adjunct to the Manufacturer's Service Manual. They are not meant to supersede the information that is in the manual that legitimately applies to the make, model, and year of car with the exception of the following items: TIRE SIZES, RIM WIDTHS, SPRINGS, ANTI-ROLL BAR(S), and PERFORMANCE EQUIPMENT. In the case of the foregoing exceptions, the B-Spec Competition Rules will have priority.

These specifications reflect the best information available at the time of publication. Any error found in this edition will be updated when reliable specifications are available from the manufacturer/manufacturer distributor or other sources recognized by SCCA[®], Inc.

A. Definition

The B-Spec Category shall be considered primarily as a form for the membership to race street stock automobiles. Eligibility of cars may be discontinued at any time, for any reason other than competitive stature. The burden of proof lies upon any participant seeking action against another participant.

NOTE: A Shop/Service Manual or its equivalent for the specific make, model, and year of automobile is required to be in the possession of each entrant. Manufacturer Shop/Service Manuals may come in the form of printed material, microfiche, CD, DVD, and/or Internet access to manufacturer website databases. It is the responsibility of the competitor to provide the electronic device capable of accessing the data for compliance verification. If Manufacturer Shop/Service Manuals are not available, then the competitor shall have a copy of the official SCCA[®] Vehicle Technical Sheet (VTS) with them at every event and shall present it for reference when officially requested. The manual is intended to aid SCCA[®] Technical Scrutineers in identifying parts and the configuration of the automobile. Overhaul procedures that in the slightest way would increase performance are not to be utilized (e.g., milled heads/blocks, porting, etc.). Blueprinting and balancing are inconsistent with the philosophy of this class and are not permitted.

B. Automobile Eligibility

Only those cars listed on spec lines are eligible to compete. Cars classified will be approved by EPA and DOT for sale in the United States and by Environment Canada for sale in Canada. They shall be models available to the general public for purchase. Additions and deletions of automobiles shall be at the discretion of the SCCA[®]. The vehicle identification number (VIN) shall correspond with the model automobile classified. At least one VIN plate or stamping shall remain in place on the dashboard or chassis that corresponds with the model automobile classified.

C. Classification

Classifications of automobiles eligible for competition will be reviewed on an annual basis and will be effective as of January 1st.

D. Technical and Safety Items

The following represent the only safety items and modifications permitted and required on automobiles involved in B Spec competition. Cars must meet comply with the GCR. The addition of safety items not specifically listed is not permitted. No permitted component/modification shall additionally perform a prohibited function.

1. Roll cages shall be contained entirely within the driver/passenger compartment and must comply with GCR Section 9.4, Roll Cages for GT and Production Based Cars.
2. Installation of a fire extinguisher or fire system as specified in GCR Section 9.3, Fire System.
3. Installation of a safety harness system as specified in GCR Section 9.3, Driver's Restraint System.
4. All cars shall run with both front door windows fully open (down) if equipped, and shall have a driver's side window safety net per GCR Section 9.3, Window Safety Nets. Any cars where a window safety net cannot be installed, arm restraints shall be used. Arm restraints are not an acceptable substitute for window nets in other cars. Window safety nets shall be mounted in such a manner to provide protection in the event the driver's door opens. Rear windows shall be run in the closed (up) position.
5. Passive restraint systems shall be deactivated.*
6. Air bag systems shall be disarmed and may be removed.* If so equipped, the rolling door lock mechanism may be deactivated by unplugging the components.
7. The driver's seat (only) shall be replaced with a one-piece, bucket-type race seat. Standard seat tracks/brackets may be modified, reinforced, and/or removed to facilitate replacement mountings provided they perform no other function.
8. Steering lock mechanisms may be removed or disabled.
9. An electrical master switch may be installed.

*If car is used on public roads, these items should be replaced, reactivated, rearmed, etc. when not in competition.

E. Vehicle Preparation

The following represents the only items authorized in the preparation of a vehicle for B-Spec competition

other than safety items as required in Section 9.1.7.D, Technical and Safety Items. Modifications shall not be made unless specifically authorized herein. No permitted component/modification shall additionally perform a prohibited function.

1. Appearance shall be neat and clean. Automobiles that are dirty either externally or in the engine or passenger compartments, or that show bodywork damage or that are partially or totally in primer, or that do not bear the prescribed identification marks shall not be approved for competition. Vehicles may be painted any color(s).
2. Towing eyes per GCR Section 9.3, Towing Eyes, shall be fitted.
3. Hubcaps, wheel trim rings, jack, and tools shall be removed.
4. All mud flaps shall be removed.
5. Spare wheels and tires may be removed. Spare tire covers and trunk mats and/or trunk carpeting shall be removed if they present a hazard as a loose flying or flapping object.
6. All adjustments shall be at the manufacturer's specification and/or within the manufacturer's specified tolerances unless they are specifically allowed in the GCR (example camber angle).
7. Tires:
 - a. Tires shall be Hankook 205/50R15 C51 or Hankook 200/580R15 Z217. No mixing of wet and dry tires on the same car. *Tires must be run unmodified.*
 - b. When using the wet tire, all cars get a 0.2" lower ride height allowance due to smaller radius of the wet tire.
8. Wheels: Required wheel/rim diameter is fifteen inches (15"). Maximum wheel/rim width is seven inches (7"). Minimum Wheel/rim weight shall be 13 lbs. All wheels shall be one-piece metal castings or metal two piece welded. All four wheels must be the same dimensional offset. Aftermarket wheel studs and/or wheel bolts are allowed. Wheel bolts may be replaced with studs and nuts. Wheel spacers are allowed, the same thickness spacer must be used on all four corners.

Wheels are permitted any offset provided the tire tread (that portion of the tire that contacts the ground) does not protrude beyond the fender opening when viewed from the top perpendicular to the ground.

9. Radio/stereo audio equipment and air conditioning refrigerant systems are the only options permitted and may be non-manufacturer, standard equipment. Two way radios may be used. Hand controls are allowed in those instances where the driver can demonstrate the physical need for them. Removal of rear window wipers and wiper motor is allowed.
10. Fuel, coolant, oil fluid hoses and clamps, oil filters, fuel filters, and belts (fan, alternator, etc.) may be substituted with others of equivalent manufacturer's specifications.
11. Brake fluid: May be substituted with other equivalent manufacturer's specification.
12. Lubricants: Lubricants may be substituted with any lubricant. Additives are unrestricted.
13. Spark Plugs: Authorized spark plugs listed in spark plug manufacturer's application charts, owner's manual, manufacturer's shop/service manual, or equivalent justified by one cross reference chart. Use of resistor- or non resistor spark plug allowed.
14. "Special performance" specifications from the manufacturer that go beyond those listed on a specification line for a car will not be considered valid.

Any manufacturer determined to be supplying false specifications to competitors or to SCCA will be advised that the specifications shall be withdrawn and/or the eligibility of the car(s) involved will be terminated. The SCCA® Club Racing Board (CRB) is authorized to implement these terminations on an immediate basis without Board of Directors (BoD) approval.

In the case of service circulars, recalls, etc., the burden of proof of validity will be upon the competitor.

15. Ride height: Minimum ride height is six (6) inches, to be measured without driver at the lowest point of the rocker panels, but not to include welded seams or fasteners. A vehicle may have a ride height listed in the spec line, the competitor must conform to the spec line.
16. Batteries may be replaced with those of alternate manufacture provided they are of similar amp hour (Ah) capacity and weight. Battery must remain in stock location. Additional hold-down brackets are allowed.
17. Weight: The minimum weight as listed on the B Spec line is with driver and ballast may be added to meet the listed minimum weight. Refer to section 9.3. Ballast, for placement of the ballast. If a cool suit system is utilized, the cool suit system shall be weighed with the car as it came off the track.
 - A. The ballast shall be in segments no lighter than ten (10) pounds and no heavier than fifty (50) pounds.

9.1.10. B-Spec Category Specifications

- B. Each segment shall be fastened with a minimum of two (2) one-half inch (1/2") bolts and positive lock nuts of SAE Grade 5/Metric 8.8 or better, and shall utilize large diameter, load distributing washers.
- 18. Fuel: Only the fuel type specified by the owner's or manufacturer's shop/service manual may be used. Refer to GCR Section 9.3, Fuel, for permitted fuel specifications.
- 19. Removal of Air Conditioning System: The manufacturer's or aftermarket air conditioning system may be removed. Items that serve a dual purpose, such as the alternator/air conditioning compressor bracket, may not be substituted. Idler pulleys and belts may be substituted as needed when compressor is removed.
- 20. Removal of radio and speaker components is permitted. Removal of horn and cruise control system is permitted.
- 21. A radiator screen of minimum one-fourth inch (1/4") mesh may be added in front of the radiator and contained within the bodywork.
- 22. Air filter elements may be substituted with other air filters of equivalent specifications and fit in the standard location with no modifications. The filter element must be substantiated by a minimum of one (1) manufacturer cross-reference for specific vehicle application.
- 23. Any brake pad or lining may be used. Metal or plastic dust shields may be removed or modified by removing material.
- 24. Standard replacement brake rotors/drums may be obtained from sources other than the original manufacturer provided they are the exact equivalent.
- 25. The Club Racing Board may approve the use of automatic transmissions and/or hand controls on a case-by-case basis.
- 26. Interior mirror(s) may be replaced with a multi-panel type mirror, but shall not extend beyond the confines of the interior.
- 27. Only OE catalyst are permitted. The exhaust system downstream of the primary catalyst may be replaced provided:
 - A. Said replacement system retains the same original configuration, e.g., routing, single, dual, etc.
 - B. The system exits from the body in the same approximate location(s) as the original. When an original equipment single exhaust system is cosmetically split into dual outlets, it is permitted to continue as a single system provided it exits in approximately the same location as one of the originals.
 - C. The system meets all appropriate event-specific sound level requirements.
 - D. All oxygen sensors must be intact and in stock location.
 - E. Primary catalytic converter may not be modified in any way.
 - F. The Mazda 2, Fiat 500, 2007-10 Mini Cooper all may remove the primary cat/exhaust manifold to install their approved header. All oxygen sensors must be maintained. The original heat shields or heat wrap may be used to insulate the replacement header from objects they come close to.
- 28. Aftermarket steering wheels, and their required mounting modifications, are permitted. Removable steering wheels are permitted.
- 29. Lap Timing and Data Acquisition Devices that perform no function other than to relay lap times to the driver (Longacre Hot Lap, Intercomp Lap Timer, etc.) are permitted, along with the required mounting hardware and connections. Stand-alone data acquisition systems (GPS or accelerometer-based) are allowed. One connection from the OBD2 port to the stand-alone data acquisition system is permitted. No additional sensors may be added and the data acquisition system must not tie into the vehicle electronics in any other manner beyond this allowance. The SCCA may install a standalone data box in a competitor's car at any time. Refusal of the installation of the data box will result in disqualification.

Analog (needle type) gauges for oil pressure, oil temp and water temp may be added as long as they are not tied into the vehicles ECU in any way. Stand alone shift lights may be added.
- 30. Sunroofs, Targa tops, and T-tops are only permitted if installed by the manufacturer of the vehicle. If installed they must be retained in the closed position and securely bolted in place unless the operating rails adequately secure the panel. Glass panels are permitted. Glass panels may be replaced with a ferrous metal panel. Components (motors, cables, rails) may be removed provided the panel is securely retained.
- 31. Hatchback "privacy covers" must be completely removed.
- 32. Cosmetic plastic engine covers may be removed.
- 33. Original brake and clutch hoses may be replaced by braided stainless steel brake lines and clutch lines.

34. Interiors may be removed including seats, seat brackets, carpet, carpet padding, rear door panels, OEM seat belts, interior trim, and headliners. Front door window glass, front window operating mechanism, inner door trim panel, armrest, map pockets, wiring harnesses for front door locks, power mirrors, seat wiring, etc., and inside front door latch/lock operating mechanism may be removed. Original radio/stereo audio equipment and air conditioner refrigerant systems may be removed. Heater cores, and hoses, must remain except duct work under seats. Duct work behind the dash may be trimmed but not removed to allow for roll cage installation.
35. Maximum 3.5 degrees negative camber is allowed on front and rear suspensions. Strut suspensions may adjust camber by the use of eccentric bolts (crash bolts) at the strut-to-spindle, slotted strut mounting holes at the spindle, and/or by use of any slotted camber only adjuster plate at the top of the strut mounting plate. If upper strut slotted plates are used, they shall be located on existing chassis structure and may not serve as reinforcement for that structure. Modifications to the top of the strut tower may be made to allow for camber adjustment only. Modifications to the existing holes must only be moved straight inboard even if the existing slots would translate the top of the strut rearward. On other forms of suspension, camber adjustment may be achieved by the use of shims and/or eccentric bolts (crash bolts).
36. Suspension: competitors may use the OEM suspension, *the specific suspension kit approved on the spec line* or any B14 Bilstein shock or strut with no modifications except as required for mounting *or to achieve allowed camber. Any camber plate may be used, but may not alter caster. Caster shall be within factory specification.* Any part required to adapt the B14's to the car must be submitted for approval by the CRB and added to the individual spec line. Any spring, up to a maximum spring rate of 500 pounds may be used. *Helper springs made of thin flat wire that are designed to take up the gap between the main spring and shock/strut at full travel are allowed. Tender springs are not allowed.* Spring are allowed to be strapped or zip tied to the body. The purpose of the strap should be to keep the spring in place when the axle goes into rebound. The strap can serve no other function. *Bump stops may be deleted but cannot be modified or substituted and shall serve no other purpose.* Adjustable sway bar end links may be used on all cars. Sway bars may be disconnected and removed.

If a manufacture does not offer an upgrade, a competitor may submit a shock and spring package for approval by the CRB. At the time of approval, that kit will become the standard for that make and model until the manufacture submits a factory supported kit.

The competitor supplied kits needs to be comprised of the following:

- Any non-adjustable shock absorber intended for the specific make model and year car is allowed. The shock absorber must be installed in the original mounting locations. Remote shocks are not permitted. Threaded shock bodies or adjusters may be used.
 - Any spring up to a maximum spring rate of 500 pounds may be used with the OEM suspension, the manufacturer's upgraded suspension kit, or the Bilstein B14 suspension kit.
37. ECU/PCM: OEM ECU/PCMs is required. Alternate engine calibrations are allowed. The car may meet federal emission standards, but shall provide OBD II compliant data to the data link connector. Manufacturers may provide a stability control override procedure or module.
38. B Spec front and rear toe settings are free. Rear toe adjustments may be achieved by the use of shims.
39. Fenders and wheel openings shall remain unmodified. It is permitted to roll under or flatten any interior lip on the wheel opening for tire clearance. Cars with plastic/composite fenders may remove any interior wheel opening lip, but the resulting material edge shall be no thinner than the basic fender material thickness. Non metallic inner fender liners may be removed.
40. An oil catch can is permitted.
41. Optional Hood Pins may be added to supplement the original hood latch system. All parts of the original hood latch system must remain in the car.
42. *Brake ducts are permitted, but they must serve no other purpose. Duct openings may be created by the removal of the fog lights. Alternatively, duct openings may be created by opening 2 sections up to 14.5 square inches each of stock false grills originally located in the front fascia, or radiator shroud, but in this case while fog lamps may be removed. Fog light holes must be completely covered. The stock headlamp location is not permitted for brake ducting.*
43. Automatic and cvt transmissions versions of all legal cars are legal for competition in B-Spec meeting their spec line. Models with OEM paddle shifters are acceptable. Auxiliary transmission coolers may be approved on a case by case basis. Part numbers must be submitted and added to the cars spec line.
44. Auxiliary transmission coolers may be approved on a case by case basis. Part numbers must be submitted and added to the cars spec line.
45. Restrictor - BS cars whose spec line require a restrictor will follow the definition of a Flat Plate Restrictor (FPR) outlined in Appendix F with only one exception, B-Spec requires the thickness of the Restrictor to be 0.050" to 0.079.

9.1.10. B-Spec Category Specifications

- 46. All B-Spec cars in post-race impound at all Majors and Super Tour races shall open their hoods and hatches/trunks for the purpose of visual inspection by other competitors. Competitors may thereafter initiate a protest as permitted under the GCR.*

B-SPEC	Bore x Stroke (mm) Displacement (cc)	Wheelbase (mm)	Gear Ratios	Final Drive	Brakes (inches)	Weight (lbs)	Notes:
Chevrolet Sonic 4dr Sedan <i>MT</i> (12-19)	80.5 x 88.2 1796	2525	3.72, 1.96, 1.32, 0.94, 0.75	3.94	(F) 10.8 (R) 9.0 drum	2650	33mm flat plate restrictor required. GM suspension kit #23123679 permitted. Allow rear sway bar ZZ Performance #ZZ-SNCRSB.
<i>Chevrolet Sonic 4dr Sedan AT (12-19)</i>	<i>80.5 x 88.2 1796</i>	<i>2525</i>	<i>4.45, 2.91, 1.89, 1.44, 1.00, 0.74</i>	<i>3.47</i>	<i>(F) 10.8 (R) 9.0 drum</i>	<i>2650</i>	<i>6T40e automatic equipped only. 33mm flat plate restrictor required. GM suspension kit #23123679 permitted. Allow rear sway bar ZZ Performance #ZZ-SNCRSB. For automatic allow Setrab 1-series Part No. FP119M221.</i>
Chevrolet Sonic 5dr Hatch <i>MT</i> (12-19)	80.5 x 88.2 1796	2525	3.72, 1.96, 1.32, 0.94, 0.75	3.94	(F) 10.8 (R) 9.0 drum	2650	34mm flat plate restrictor required. GM suspension kit #23123679 permitted. Allow rear sway bar ZZ Performance #ZZ-SNCRSB.
<i>Chevrolet Sonic 4dr Sedan AT (12-19)</i>	<i>80.5 x 88.2 1796</i>	<i>2525</i>	<i>4.45, 2.91, 1.89, 1.44, 1.00, 0.74</i>	<i>3.47</i>	<i>(F) 10.8 (R) 9.0 drum</i>	<i>2650</i>	<i>6T40e automatic equipped only. 33mm flat plate restrictor required. GM suspension kit #23123679 permitted. Allow rear sway bar ZZ Performance #ZZ-SNCRSB. For automatic allow Setrab 1-series Part No. FP119M221.</i>
Fiat 500 (12-15)	72.0 x 84.0 1368	2300	3.91, 2.16, 1.35, 0.98, 0.77	3.73	(F) 10.1 x 0.9 (R) 9.4 x 0.4	2230	Allow Fiat suspension kit P5154820, Front damper assy with top mount P5154822, Rear damper assy P5154824, Rear coil spring adapt kit P5154825, Header kit (cat delete) P5154829 allowed. Cold air intake allowed.
Ford Fiesta 5dr Hatchback (11-19)	79.0 x 81.4 1596	2490	3.86, 2.04, 1.28, 0.95, 0.74	4.07	(F) 10.2 (R) 7.9 drum	2495	39mm flat plate restrictor required. Suspension kit #M-FR3-FAEB allowed. Rear axle bushing #000-04-2203-RR allowed. Allow rear torque bar Corksport #Mz2-3-070. Cold air intake K&N 69-3530TS is allowed. Powerflex PFR19-1511BX2 rear suspension bushing allowed. Eibach rear sway bar #35143.312 or 35143.320 is allowed. Mazda front hub D651-33-06 and rear hub D651-26-15XE allowed. 4x100 bolt pattern wheel allowed.
Ford Fiesta 4dr Sedan (11-19)	79.0 x 81.4 1596	2490	3.86, 2.04, 1.28, 0.95, 0.74	4.07	(F) 10.2 (R) 7.9 drum	2495	38mm flat plate restrictor required. Suspension kit #M-FR3-FAEB allowed. Rear axle bushing #000-04-2203-RR allowed. Allow rear torque bar Corksport #Mz2-3-070. Cold air intake K&N 69- 3530TS is allowed. Powerflex PFR19-1511BX2 rear suspension bushing allowed. Eibach rear sway bar #35143.312 is allowed. Mazda front hub D651-33-06 and rear hub D651-26- 15XE allowed. 4x100 bolt pattern wheel allowed.
Honda Fit (07-08)	73.0 x 89.4 1499	2450	3.46, 1.87, 1.32, 0.97, 0.76	4.29	(F) 10.3 disk (R) 7.9 drum	2525	
Honda Fit (07-08) Automatic	73.0 x 89.4 1499	2450	2.99, 1.68, 1.07, 0.76, 0.55	4.56	(F) 10.3 disk (R) 7.9 drum	2525	Allow damper and spring set 51600F23SA100, Damper FRLH 51605F23SA100, Damper FR RH 51606F23SA100, Damper RR 52610F23SA100, Spring adjust asy RR 52691F23SA010. Seat upper FR spring 51688F23SA200, 51402FC4YA00 front helper spring and 51403FC4YA00 front spacer permitted. Front Damper Mount P/N 51920-F23S-A30 is allowed. Allow rear sway bar Progress # 62.1061.
Honda Fit (09-14)	73.0 x 89.55 1499	2500	3.31, 1.87, 1.30, 0.95, 0.73 Or 2.99, 1.68, 1.07, 0.76, 0.55 in automatic	4.62 Or 4.56 in automatic	(F) 10.3 (R) 7.9 drum	2525	Allow damper and spring set 51600F23SA100, Damper FRLH 51605F23SA100, Damper FR RH 51606F23SA100, Damper RR 52610F23SA100, Spring adjust asy RR 52691F23SA010. Seat upper FR spring 51688F23SA200, 51402FC4YA00 front helper spring and 51403FC4YA00 front spacer permitted. Front Damper Mount P/N 51920-F23S-A30 is allowed. Allow rear sway bar Progress # 62.1061. Alternate transmission ratio's and final drive are for automatic equipped cars only and allow Setrab 50-119-7612 transmission cooler in addition to OEM. <i>Any aftermarket exhaust/header allowed for the Automatic Transmission Honda Fit.</i>

B-SPEC	Bore x Stroke (mm) Displacement (cc)	Wheelbase (mm)	Gear Ratios	Final Drive	Brakes (inches)	Weight (lbs)	Notes:
Honda Fit <i>MT</i> (15-19)	73.0 x 89.55 1499	2530	3.46, 1.87, 1.23, 0.95, 0.81, 0.73	4.63	(F) 10.3 (R) 7.9 drum	2575	30mm flat plate restrictor required. Allow damper FR LH 51605F23SA81, Damper FR RH FR RH 51606F23SA81, Damper RR 52610F23SA80, Spring adjust assy RR 52691F23SA80, Bushing Comp, Damper RR TBD, Camber Adjuster Comp, Damper 51920F23SA82, Damper wrench kit 89211F23SA80, Hose Set, FR & RR Brake 01464F23SA810, Pad Set, XR2 D948 54022F27SA81, Disk, FR Brake 45250F23SA80, Air cleaner element assy 17220FC4YA80, Exhaust pipe assy 18300F23SA81, ACG belt (6PK858) 31110FC4YA80. Allow rear sway bar Progress 62.1063.
<i>Honda Fit CVT</i> (15-19)	73.0 x 89.55 1499	2530	2.56, 0.41, Rev: 2.71, 1.38 in CVT	5.44	(F) 10.3 (R) 7.9 drum	2575	<i>30mm flat plate restrictor required. Allow damper FR LH 51605F23SA81, Damper FR RH FR RH 51606F23SA81, Damper RR 52610F23SA80, Spring adjust assy RR 52691F23SA80, Bushing Comp, Damper RR TBD, Camber Adjuster Comp, Damper 51920F23SA82, Damper wrench kit 89211F23SA80, Hose Set, FR & RR Brake 01464F23SA810, Pad Set, XR2 D948 54022F27SA81, Disk, FR Brake 45250F23SA80, Air cleaner element assy 17220FC4YA80, Exhaust pipe assy 18300F23SA81, ACG belt (6PK858) 31110FC4YA80. Allow rear sway bar Progress 62.1063. CVT cars only allow Setrab 50-119-7612 transmission cooler in addition to OEM.</i>
Hyundai Accent GS Hatchback (13-19)	77.0 x 85.44 1591	2570	3.76, 2.04, 1.28, 1.03, 0.89, 0.77	3.64	(F) 10.1 x 0.9 (R) 10.3 x 0.4	2525	39mm flat plate restrictor required. Allow AKSJ03-10-001 Damper Frt Assembly; AKSJ03-20-001 Damper-AST-Rear; KSJ03-20-003 Rear Upper Spring Perch Delrin; AKSJ03-60-001 Sump Pan Extension. Allow rear torque bar Evilla Motorsports #KR-B1.
Kia Rio 5-door/LX (12-19)	77.0 x 85.44 1591	2570	3.76, 2.04, 1.28, 1.03, 0.89, 0.77	3.83	(F) 10.1 x 0.9 (R) 10.3 x 0.4	2525	39mm flat plate restrictor required. Allow AKSJ03-10-001 Damper Frt Assembly; AKSJ03-20-001 Damper-AST-Rear; KSJ03-20-003 Rear Upper Spring Perch Delrin; AKSJ03-60-001 Sump Pan Extension. Allow rear torque bar Evilla Motorsports #KR-B1.
Mazda2 (10-14)	78.0 x 83.0 1499	2490	3.42, 1.84, 1.29, 0.97, 0.78	3.85	(F) 10.1 (R) 8.0 drum	2330	Helper springs F&R 0000-04-9926, Spring spacer F&R 0000-04-9925, Front sway bar end links adjstbl 0000-04-2202, Rear sway bar 0000-04-2203-RR or 0000-04-2312, Modified strut bearing plate 0000-04-2204, Crash bolt set 0000-04-2205, Allow rear torque bar Corksport #Mz2-3-070. Cold air intake Corksport Mz2-6-117-31100 and air duct Mz2-6-120-10 are allowed. Exhaust Header Kit (cat delete) HB.EM 60-404-S-SS or HP-MZD001is allowed. Powerflex PFR19-1511BX2 rear suspension bushings allowed. Allow Mazda part number 0000-01-2501-CR Radiator. Header PN 0000-06-2410 allowed with a 70 lb. weight penalty. Allow Mazda undertray part number D08C-56-110A, D08C-56-311, DO7A-56-321.
Mini Cooper Hatchback (R50) <i>MT</i> (02 - 06)	77.0 x 85.8 1598	2466	4.10, 2.37, 1.56, 1.17, 1.00	3.51	(F) 11.0 (R) 10.2	2545	Allow KW: Coilover Kit: Variant 2: Gen 1 or KW equivalent, Vorshlag Mini R50/53 Camber Plates & Perches allowed. Ride height measured from the metal underneath the bottom of the plastic door rocker molding shall be no less than 5 inches. Front adjustable sway bar links part number 31 35 6 771 is allowed. Rear adjustable sway bar links part number 35 50 6 772 is allowed. Allow rear sway bar Progress #62.0210.
<i>Mini Cooper Hatchback (R50) CVT</i> (02 - 06)	77.0 x 85.8 1598	2466	CVT Variable Rev: 3.82	5.76 CVT	(F) 11.0 (R) 10.2	2545	<i>Allow KW: Coilover Kit: Variant 2: Gen 1 or KW equivalent, Vorshlag Mini R50/53 Camber Plates & Perches allowed. Ride height measured from the metal underneath the bottom of the plastic door rocker molding shall be no less than 5 inches. Front adjustable sway bar links part number 31 35 6 771 is allowed. Rear adjustable sway bar links part number 35 50 6 772 is allowed. Allow rear sway bar Progress #62.0210. CVT equipped cars allow Setrab 50-119-7612 transmission cooler in addition to OEM.</i>

B-SPEC	Bore x Stroke (mm) Displacement (cc)	Wheelbase (mm)	Gear Ratios	Final Drive	Brakes (inches)	Weight (lbs)	Notes:
Mini Cooper (R56) <i>MT</i> (07-10)	77.0 x 85.8 1598	2466	3.21, 1.79, 1.19, 0.91, 0.78, 0.68	4.35	(F) 11.0 (R) 10.2	2600	<i>41mm FPR required with OE catalyst.</i> Allow L/F Strut-spring assembly 31 31 1 126, R/F Strut-spring assembly 31 31 1 125, Rear Shock-spring assembly 33 50 1 125. Ride height measured from the metal underneath the bottom of the plastic door rocker molding shall be no less than 5 inches. Front adjustable sway bar links part number 31 35 6 771 is allowed. Rear adjustable sway bar links part number 35 50 6 772 is allowed. Adjustable front camber plate part number 31 30 1 507 is allowed. Allow rear sway bar Progress #62.0210. OBX header part #10-2101-2S permitted <i>with 40mm FPR.</i>
<i>Mini Cooper (R56) AT (07-10)</i>	<i>77.0 x 85.8 1598</i>	<i>2466</i>	<i>4.15, 2.37, 1.56, 1.15, 0.86, 0.69 Rev: 3.39 in automatic</i>	<i>4.10 in automatic</i>	<i>(F) 11.0 (R) 10.2</i>	<i>2600</i>	<i>41mm FPR required with OE catalyst. Allow L/F Strut-spring assembly 31 31 1 126, R/F Strut-spring assembly 31 31 1 125, Rear Shock-spring assembly 33 50 1 125. Ride height measured from the metal underneath the bottom of the plastic door rocker molding shall be no less than 5 inches. Front adjustable sway bar links part number 31 35 6 771 is allowed. Rear adjustable sway bar links part number 35 50 6 772 is allowed. Adjustable front camber plate part number 31 30 1 507 is allowed. Allow rear sway bar Progress #62.0210. OBX header part #10-2101-2S permitted with 40mm FPR. Automatic equipped cars only allow Setrab 50-119-7612 transmission cooler in addition to OEM.</i>
Mini Cooper Clubman (R55) (07 - 10)	77.0 x 85.8 1598	2547	3.21, 1.79, 1.19, 0.91, 0.78, 0.68	4.35	(F) 11.0 (R) 10.2	2600	<i>41mm FPR required with OE catalyst</i> Allow L/F Strut-spring assembly 31 31 1 126, R/F Strut-spring assembly 31 31 1 125, Rear Shock-spring assembly 33 50 1 125. Ride height measured from the metal underneath the bottom of the plastic door rocker molding shall be no less than 5 inches. Front adjustable sway bar links part number 31 35 6 771 is allowed. Rear adjustable sway bar links part number 35 50 6 772 is allowed. Adjustable front camber plate part number 31 30 1 507 is allowed. Allow rear sway bar Progress #62.0210. OBX header part #10-2101-2S permitted <i>with 40mm FPR.</i>
Mini Cooper (R56LCI) <i>MT</i> (11-13)	77.0 x 85.8 1598	2466	3.21, 1.79, 1.19, 0.91, 0.78, 0.68	4.35	(F) 11.0 (R) 10.2	2600	41mm FPR required. Allow L/F Strut-spring assembly 31 31 1 126, R/F Strut-spring assembly 31 31 1 125, Rear Shock-spring assembly 33 50 1 125. Ride height measured from the metal underneath the bottom of the plastic door rocker molding shall be no less than 5 inches. Front adjustable sway bar links part number 31 35 6 771 is allowed. Rear adjustable sway bar links part number 35 50 6 772 is allowed. Adjustable front camber plate part number 31 30 1 507 is allowed. Allow rear sway bar Progress #62.0210.
<i>Mini Cooper (R56LCI) AT (11-13)</i>	<i>77.0 x 85.8 1598</i>	<i>2466</i>	<i>4.15, 2.37, 1.56, 1.15, 0.86, 0.69 Rev: 3.39 in automatic</i>	<i>4.10 in automatic</i>	<i>(F) 11.0 (R) 10.2</i>	<i>2600</i>	<i>40mm FPR required. Allow L/F Strut-spring assembly 31 31 1 126, R/F Strut-spring assembly 31 31 1 125, Rear Shock-spring assembly 33 50 1 125. Ride height measured from the metal underneath the bottom of the plastic door rocker molding shall be no less than 5 inches. Front adjustable sway bar links part number 31 35 6 771 is allowed. Rear adjustable sway bar links part number 35 50 6 772 is allowed. Adjustable front camber plate part number 31 30 1 507 is allowed. Allow rear sway bar Progress #62.0210. OBX header part #10-2101-2S permitted. Automatic equipped cars only allow Setrab 50-119-7612 transmission cooler in addition to OEM.</i>
Mini Cooper Countryman (R60) (11-16)	77.0 x 85.8 1598	2595	3.21, 1.79, 1.19, 0.91, 0.78, 0.68	4.72	(F) 11.0 (R) 10.2	2600	41mm flat plate restrictor required. Allow L/F Strut-spring assembly 31 31 1 126, R/F Strut-spring assembly 31 31 1 125, Rear Shock-spring assembly 33 50 1 125. Ride height measured from the metal underneath the bottom of the plastic door rocker molding shall be no less than 5 inches. Front adjustable sway bar links part number 31 35 6 771 is allowed. Rear adjustable sway bar links part number 35 50 6 772 is allowed. Adjustable front camber plate part number 31 30 1 507 is allowed. Allow rear sway bar Progress #62.0210. Allow part number 31226776162 (front) and 33416786552 (rear) bearings and corresponding brake rotors.

B-SPEC	Bore x Stroke (mm) Displacement (cc)	Wheelbase (mm)	Gear Ratios	Final Drive	Brakes (inches)	Weight (lbs)	Notes:
Mini Cooper Paceman (R61) (11-16)	77.0 x 85.8 1598	2595	3.21, 1.79, 1.19, 0.91, 0.78, 0.68	4.72	(F) 11.0 (R) 10.2	2600	41mm flat plate restrictor required. Allow L/F Strut-spring assembly 31 31 1 126, R/F Strut-spring assembly 31 31 1 125, Rear Shock-spring assembly 33 50 1 125. Ride height measured from the metal underneath the bottom of the plastic door rocker molding shall be no less than 5 inches. Front adjustable sway bar links part number 31 35 6 771 is allowed. Rear adjustable sway bar links part number 31 30 1 507 is allowed. Allow rear sway bar Progress #62.0210. Allow part number 31226776162 (front) and 33416786552 (rear) bearings and corresponding brake rotors.
Mini Cooper Clubman (R55) (11-15)	77.0 x 85.8 1598	2547	3.21, 1.79, 1.19, 0.91, 0.78, 0.68	4.35	(F) 11.0 (R) 10.2	2600	41mm flat plate restrictor required. Allow L/F Strut-spring assembly 31 31 1 126, R/F Strut-spring assembly 31 31 1 125, Rear Shock-spring assembly 33 50 1 125. Ride height measured from the metal underneath the bottom of the plastic door rocker molding shall be no less than 5 inches. Front adjustable sway bar links part number 31 35 6 771 is allowed. Rear adjustable sway bar links part number 31 30 1 507 is allowed. Allow rear sway bar Progress #62.0210.
Mini Cooper Coupe (R58) (12-15)	77.0 x 85.8 1598	2466	3.21, 1.79, 1.19, 0.91, 0.78, 0.68	4.35	(F) 11.0 (R) 10.2	2600	40mm flat plate restrictor required. Allow L/F Strut-spring assembly 31 31 1 126, R/F Strut-spring assembly 31 31 1 125, Rear Shock-spring assembly 33 50 1 125. Ride height measured from the metal underneath the bottom of the plastic door rocker molding shall be no less than 5 inches. Front adjustable sway bar links part number 31 35 6 771 is allowed. Rear adjustable sway bar links part number 31 30 1 507 is allowed. Allow rear sway bar Progress #62.0210.
Nissan Micra Cup Cars (Canadian)	78.0 x 83.6 1598	2450	3.73, 2.05, 1.39, 1.03, 0.89	4.07	(F) 10.2 x 0.87 (R) 8.0 drum	2410	Suspension kit for the Micra Cup Series allowed.
Nissan Versa (07-11)	80.4 x 81.1 1797	2600	3.73, 2.11, 1.45, 1.17, 0.97, 0.81	3.93	(F) 11.02 x 0.95 (R) 9.0 drum	2750	35mm flat plate restrictor required.
Nissan Versa (09-11)	78.0 x 83.6 1598	2600	3.73, 2.05, 1.39, 1.03, 0.89	4.07	(F) 10.2 x 0.87 (R) 8.0 drum	2500	
Nissan Versa (2012)	78.0 x 83.6 1598	2600	3.73, 2.05, 1.39, 1.03, .089	4.07	(F) 10.2 x 0.87 (R) 8.0 drum	2490	
Nissan Versa (2013-)	78.0 x 83.6 1598	2600	3.73, 2.05, 1.39, 1.03, .089	4.07	(F) 10.2 x 0.87 (R) 8.0 drum	2550	
Nissan Versa Note (2013-)	78.0 x 83.6 1598	2600	3.73, 2.05, 1.39, 1.03, .089	4.07	(F) 10.2 x 0.87 (R) 8.0 drum	2550	Nissan shock kit part number: TBD, Nissan spring kit part number TBD.
Nissan Versa S (2020-)	78.0 x 83.6 1598	2618	3.73, 2.05, 1.39, 1.03, 0.82	4.07	(F) 10.2 (R) 8.0 drum	2700	38mm FPR
Toyota/Scion IA Sedan (16-20)	74.5 x 85.8 1496	2570	3.58, 1.90, 1.29, 0.97, 0.80, 0.65	4.11	(F) 10.2 (R) 7.9 drum	2700	38mm FPR
Toyota Yaris Hatch (07-11)	74.9 x 84.6 1491	2461	3.55, 1.90, 1.31, 0.97, 0.82	3.72	(F) 10.0 (R) 7.9 drum	2400	42mm restrictor required. PTR04-52061 TRD Sport shocks permitted. PTR11-52070 TRD spring kit permitted. Speed sensor may be disconnected. Cold air intake K&N 69-8612TFK is allowed. Rear Swaybar PTR11-52071 is allowed. Any Camber plate is permitted.

B-SPEC	Bore x Stroke (mm) Displacement (cc)	Wheelbase (mm)	Gear Ratios	Final Drive	Brakes (inches)	Weight (lbs)	Notes:
Toyota Yaris Hatch (12-18)	74.9 x 84.6 1491	2510	3.55, 1.90, 1.31, 0.97, 0.82	3.72	(F) 10.0 (R) 7.9 drum	2400	42mm restrictor required. Rear Swaybar PTR11-52071 is allowed. Cold air intake K&N 69-8612TFK is allowed.
Toyota Yaris Sedan (07-12)	74.9 x 84.6 1491	2550	3.55, 1.90, 1.31, 0.97, 0.82	3.72	(F) 10.0 (R) 7.9 drum	2400	41mm restrictor required. Any Bilstein B14 kit is permitted. Rear Swaybar PTR11-52071 is allowed. Cold air intake K&N 69-8612TFK is allowed.



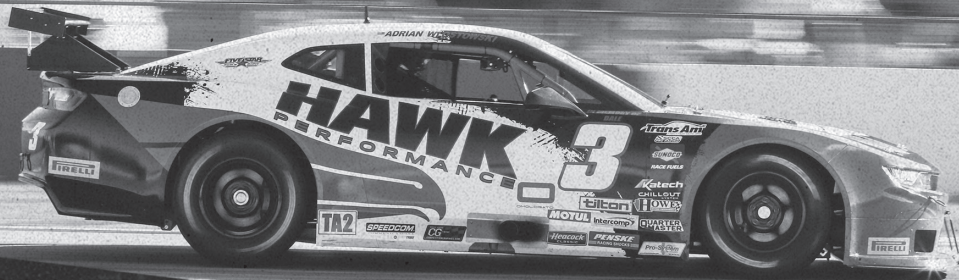
An electronic copy of the 2023 General Competition Rules is available on the SCCA website.

<https://www.scca.com/pages/cars-and-rules>

Sports Car Club of America, Inc.
Road Racing Department
6620 SE Dwight St.
Topeka, Kansas 66619
(800) 770-2055
www.scca.com



**20-40% MORE
STOPPING
POWER FEELS
DIFFERENT.**



**BETTER.
LEGENDARY.**



That's what Race Proven, Street Legal technology is all about. High performance brake products for your track car, daily driver, 4x4, truck and SUV. Turns out, 30 years of channeling our obsession with performance pays off.

Our R&D department includes a PhD in friction with 30 years of experience to create legendary stopping power.

Hawk Performance's Race Proven, Street Legal premium friction products that stop you faster and last longer since 1995.

race proven. street legal.



Never stop driving

Own a vehicle that thrills you?

Get coverage designed to protect your passion

Members of SCCA are eligible for a 5% discount on insurance through Hagerty*.

HAGERTY Let's Drive Together

INSURANCE DRIVERS CLUB MOTORSPORTREG SPEEDWAIVER RACEHERO

888-406-8484

[hagerty.com](https://www.hagerty.com)

*Discount applies to U.S. policies only; not available in CA, MA and TN. Policies underwritten by Essentia Insurance Company. Hagerty determines final risk acceptance. Membership by Hagerty Drivers Club (HDC), a non-insurance subsidiary of The Hagerty Group, LLC. Purchase of insurance not required for membership in HDC. Hagerty, Hagerty Drivers Club, SpeedWaiver & RaceHero are registered trademarks of the Hagerty Group LLC. ©2022 The Hagerty Group, LLC. All Rights Reserved



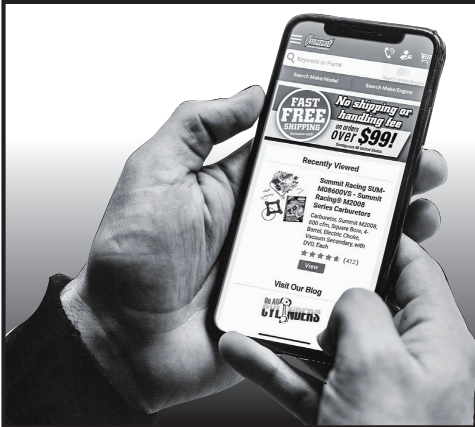
Winning Takes Work. Getting Parts is Easy.

Get the parts you want, and more value for your hard-earned money at Summit Racing Equipment. With over 1,500 brands and millions of parts in-stock, you'll find the race and high performance parts you're looking for. Plus you'll get:

- Fast same-day shipping on orders for in-stock parts placed by 10 pm EST
- Guaranteed low prices every day
- Number One-rated customer service and expert technical support

Shop online, via the Summit Racing Mobile App, or call us today and see why we've been The World's Speed Shop® since 1968!

Everything You Need For Anything You Drive.®



SUMMIT®

RACING EQUIPMENT

1-800-230-3030
SummitRacing.com®

BY RACERS, FOR RACERS!



OUR TRAILERS ARE BETTER BECAUSE WE USE THEM!

SCCA
Sports Car Club of America.

BRAVO RACE TRAILERS ARE AVAILABE IN ALUMINUM OR STEEL
AND IS THE EXCLUSIVE TRAILER PARTNER OF THE SCCA.

A HIGHER STANDARD OF PERFORMANCE

Bravo
TRAILERS™

to learn more visit us at BRAVOTRAILERS.COM

Ultra^{tech}
Quality Fuels

**MAKE EVERY
TANK COUNT.**



OFFICIAL FUEL **SCCA**
Sports Car Club of America



Ultratech fuel. Proven to make your engine
run cleaner, longer and more efficiently.
Only at Sunoco.

Ultratech Quality Fuels™ is a trademark of Sunmarks, LLC. Top Tier™ is a trademark of General Motors Company. ©2022 Sunmarks, LLC. All Rights Reserved.