

## VEHICLE: 01-05 Mazda Miata

Lobe(s): Intake	<u>LIFT</u>	<u>DUR.</u>	<u>OPEN</u>	<u>CLOSE</u>	<u>AREA</u>
	0.020	226.81	12.96 BTDC	33.84 ABDC	26.42
	0.030	218.60	9.09 BTDC	29.51 ABDC	26.32
	0.040	212.75	6.25 BTDC	26.50 ABDC	26.22
	0.050	207.82	3.81 BTDC	24.00 ABDC	26.05
	0.060	203.23	1.52 BTDC	21.71 ABDC	25.98
	0.070	198.69	0.76 ATDC	19.45 ABDC	25.83
	0.080	194.16	3.03 ATDC	17.18 ABDC	25.66
	0.090	189.64	5.29 ATDC	14.92 ABDC	25.47
	0.100	185.16	7.54 ATDC	12.70 ABDC	25.26
	0.150	162.74	18.78 ATDC	1.52 ABDC	23.86
	0.200	140.26	30.02 ATDC	9.72 BBDC	21.89
	0.250	116.96	41.70 ATDC	21.34 BBDC	19.26
	0.300	88.91	55.81 ATDC	35.28 BBDC	15.39
	0.350	46.96	76.92 ATDC	56.12 BBDC	8.52
	0.369	--- PEAK CAM LIFT ---			

Lobe(s): Exhaust	<u>LIFT</u>	<u>DUR.</u>	<u>OPEN</u>	<u>CLOSE</u>	<u>AREA</u>
	0.020	233.13	35.67 BBDC	17.46 ATDC	26.01
	0.030	222.30	30.90 BBDC	11.40 ATDC	25.88
	0.040	215.79	27.76 BBDC	8.04 ATDC	25.72
	0.050	210.69	25.25 BBDC	5.43 ATDC	25.65
	0.060	206.06	22.95 BBDC	3.11 ATDC	25.52
	0.070	201.54	20.69 BBDC	0.85 ATDC	25.38
	0.080	197.04	18.44 BBDC	1.40 BTDC	25.21
	0.090	192.53	16.18 BBDC	3.65 BTDC	25.02
	0.100	188.03	13.93 BBDC	5.90 BTDC	24.70
	0.150	165.61	2.71 BBDC	17.10 BTDC	23.40
	0.200	142.71	8.80 ABDC	28.49 BTDC	21.39
	0.250	116.27	22.16 ABDC	41.56 BTDC	18.41
	0.300	82.10	39.43 ABDC	58.47 BTDC	13.69
	0.348	--- PEAK CAM LIFT ---			

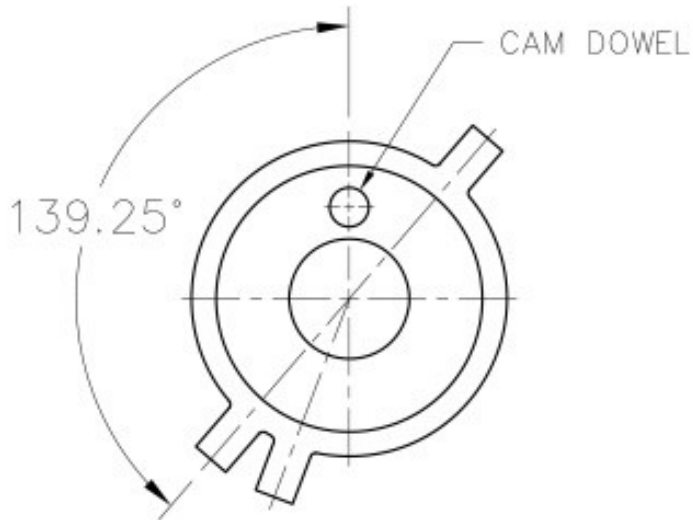
### Dowel Pin location:

	Cylinder 1 lobes	Cylinder 2 lobes	Cylinder 3 lobes	Cylinder 4 lobes
Intake	86.0 degrees BTDC	4.0 degrees ATDC	4.0 degrees ABDC	86.0 degrees BTDC
Exhaust	80.0 degrees ATDC	10.0 degrees BBDC	10.0 degrees BTDC	80.0 degrees ABDC

### Base Circle Radius:

	Minimum	Maximum
Intake	1.402 inches	1.419 inches
Exhaust	1.408 inches	1.425 inches

Reluctor Wheel Location	139.25 degrees
-------------------------	----------------



**Tolerances:**

Duration at the seat (0.0" - 0.02")	2.5 degrees
Duration on flank (0.021" lift – 0.1" before max. lift)	1.5 degrees
Duration over nose	3.5 degrees
Peak lift	0.003 inches
Dowel pin location	2.0 degrees
Reluctor Wheel to Dowel Pin	1.5 degrees

Date Issued: 6/16/06 Revision #: 4 Revision Date: 5/11/21

**SPORTS CAR CLUB OF AMERICA, INC**

PO Box 19400, Topeka, KS 66619-0400  
 (800) 770-2055 Fax (785) 232-7214 www.scca.com