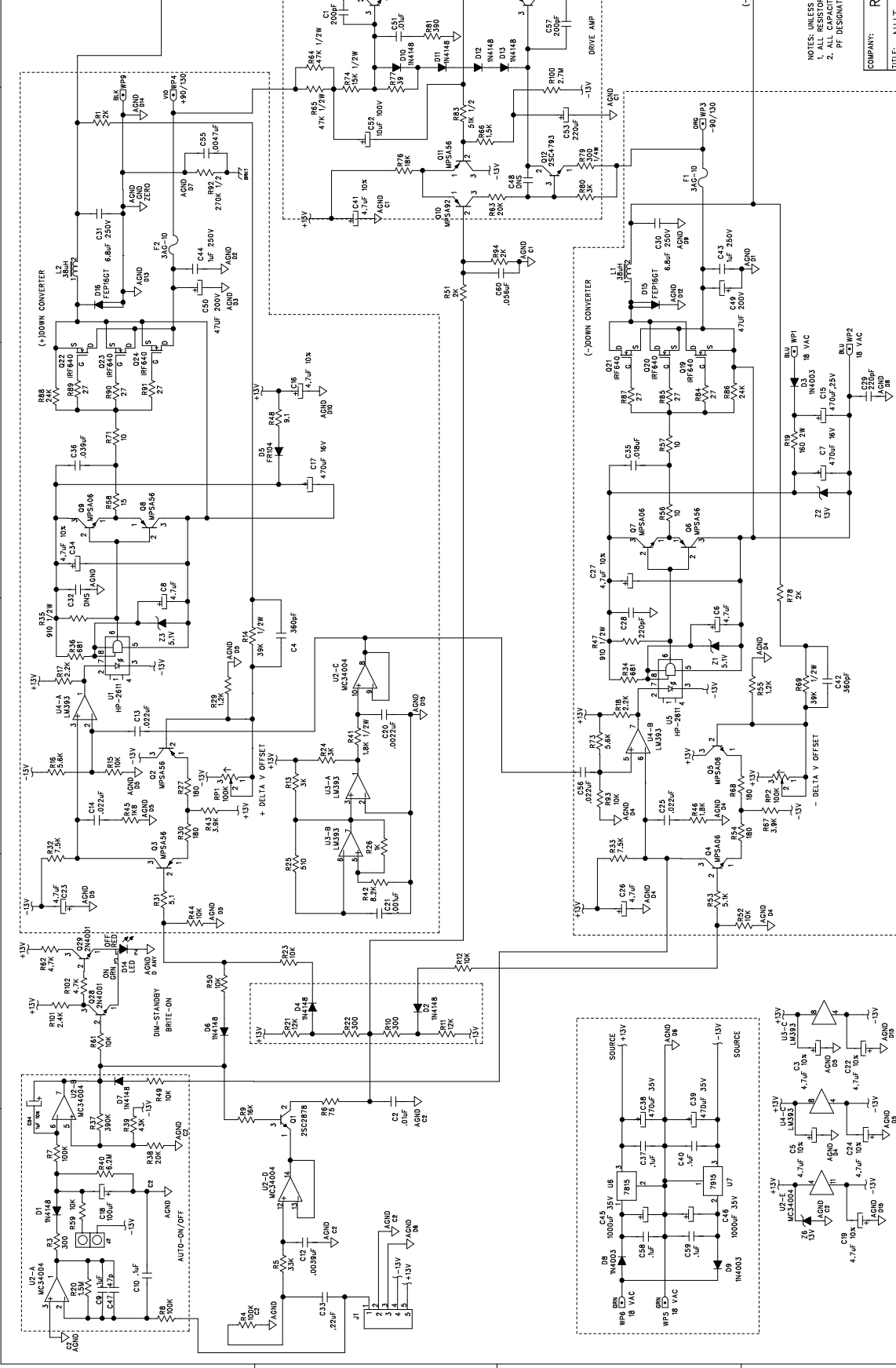


REVISION RECORD	
LT#	DESCRIPTION
1	PROD RELEASE
2	VALUE CHANGE
3	CHANGED SCA
4	ADDED DIMENSION
5	ADDED DIMENSION
6	ADDED DIMENSION
7	ADDED DIMENSION
8	ADDED DIMENSION
9	ADDED DIMENSION
10	ADDED DIMENSION
11	ADDED DIMENSION
12	ADDED DIMENSION
13	ADDED DIMENSION
14	ADDED DIMENSION
15	ADDED DIMENSION
16	ADDED DIMENSION
17	ADDED DIMENSION
18	ADDED DIMENSION
19	ADDED DIMENSION
20	ADDED DIMENSION
21	ADDED DIMENSION
22	ADDED DIMENSION
23	ADDED DIMENSION
24	ADDED DIMENSION
25	ADDED DIMENSION
26	ADDED DIMENSION
27	ADDED DIMENSION
28	ADDED DIMENSION
29	ADDED DIMENSION
30	ADDED DIMENSION
31	ADDED DIMENSION
32	ADDED DIMENSION
33	ADDED DIMENSION
34	ADDED DIMENSION
35	ADDED DIMENSION
36	ADDED DIMENSION
37	ADDED DIMENSION
38	ADDED DIMENSION
39	ADDED DIMENSION
40	ADDED DIMENSION
41	ADDED DIMENSION
42	ADDED DIMENSION
43	ADDED DIMENSION
44	ADDED DIMENSION
45	ADDED DIMENSION
46	ADDED DIMENSION
47	ADDED DIMENSION
48	ADDED DIMENSION
49	ADDED DIMENSION
50	ADDED DIMENSION



NOTES: UNLESS OTHERWISE SPECIFIED
 1. ALL DIMENSIONS ARE IN MILLIMETERS.
 2. ALL CAPACITORS ARE IN MICROFARADS, 10K, 100V.
 3. ALL RESISTORS ARE IN OHMS UNLESS OTHERWISE SPECIFIED.

COMPANY:	RECOTON HOME AUDIO
TITLE:	NHT SubTwo i AMPLIFIER
CODE:	500 W
SIZE:	D
DRAWING NO.:	EPCB0040
REV.:	F
SCALE:	NONE
SHEET:	1 OF 1

DRAWN:	MURPHY	DATE:	8-18-88
CHECKED:		DATE:	
QUALITY CONTROL:		DATE:	
RELEASED:		DATE:	