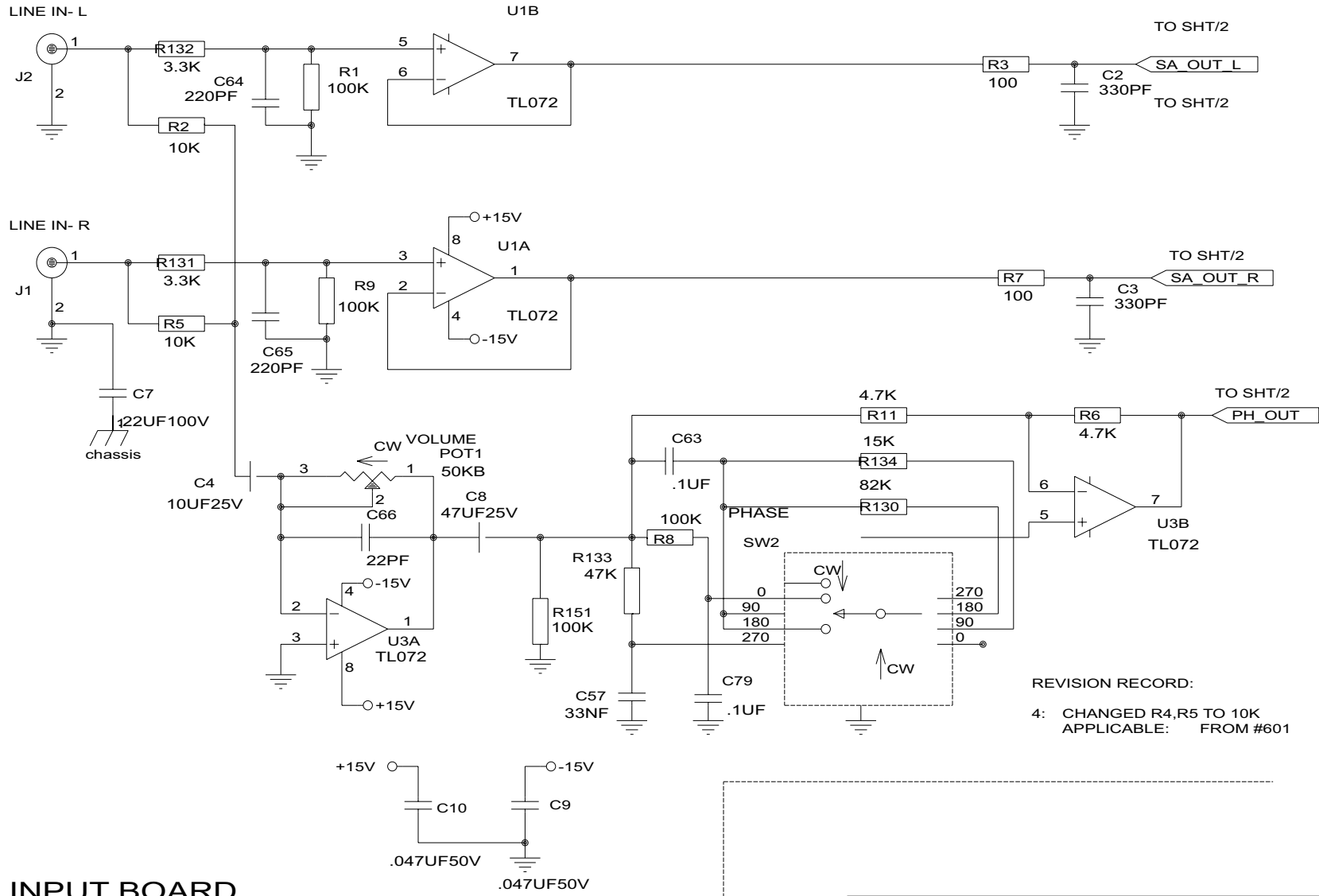


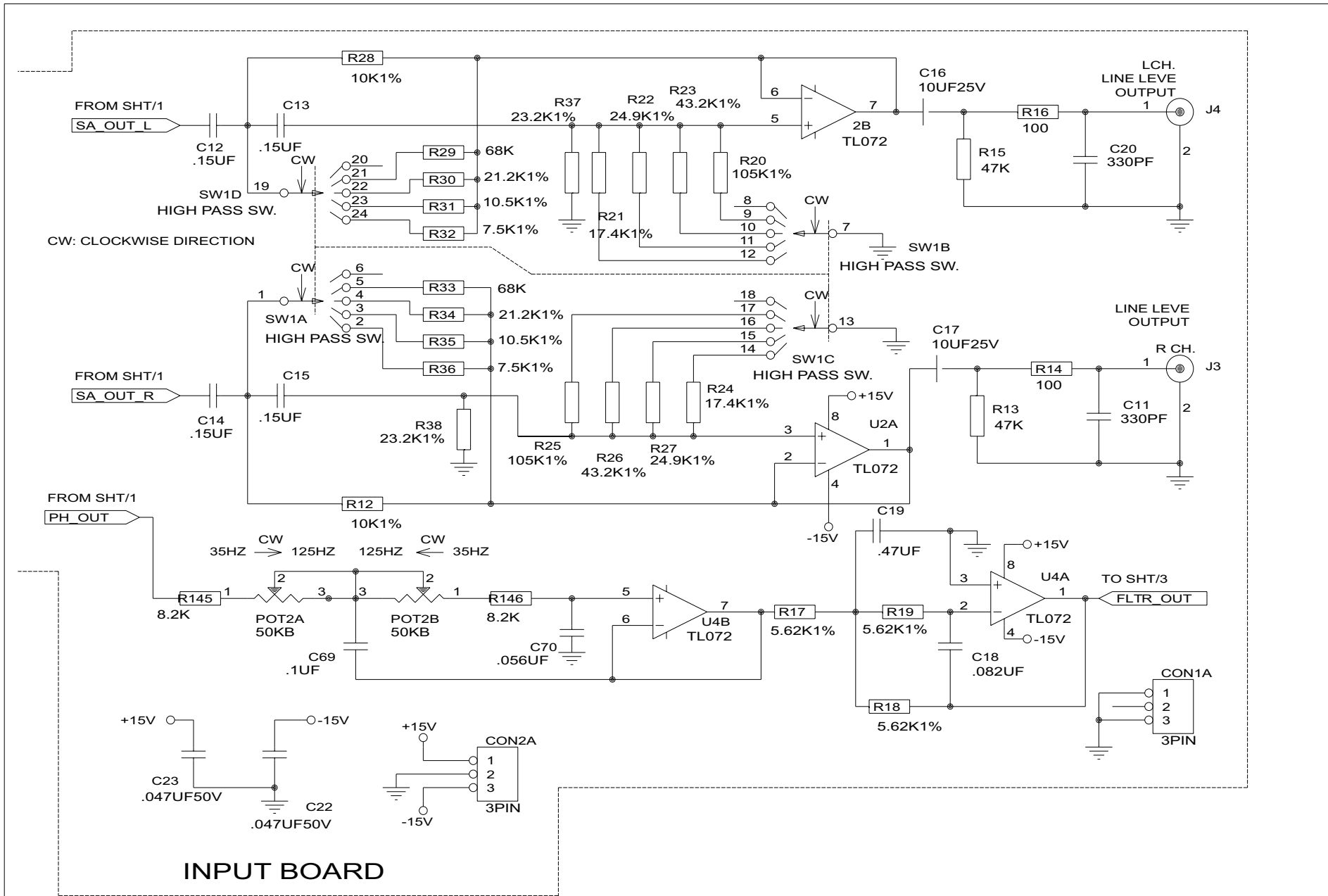
# INPUT BOARD



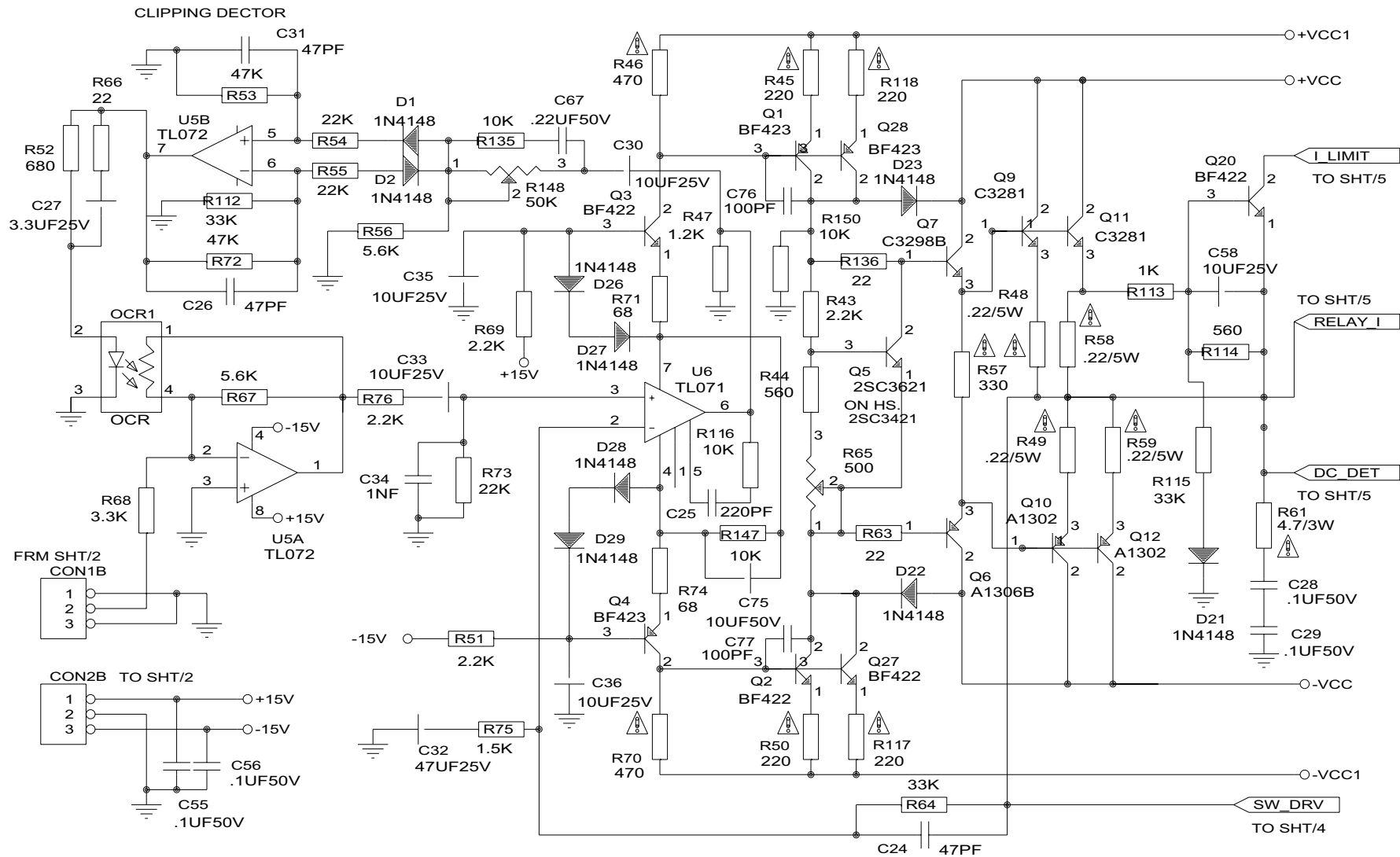
REVISION RECORD:  
 4: CHANGED R4,R5 TO 10K  
 APPLICABLE: FROM #601

# INPUT BOARD

VAC-com, INC.		
Title NHT SUBWOOFER AMP- INPUT AMPS		
Size A	Document Number PA411071	REV 4
Date: July 27, 1995	Sheet 1	of 5

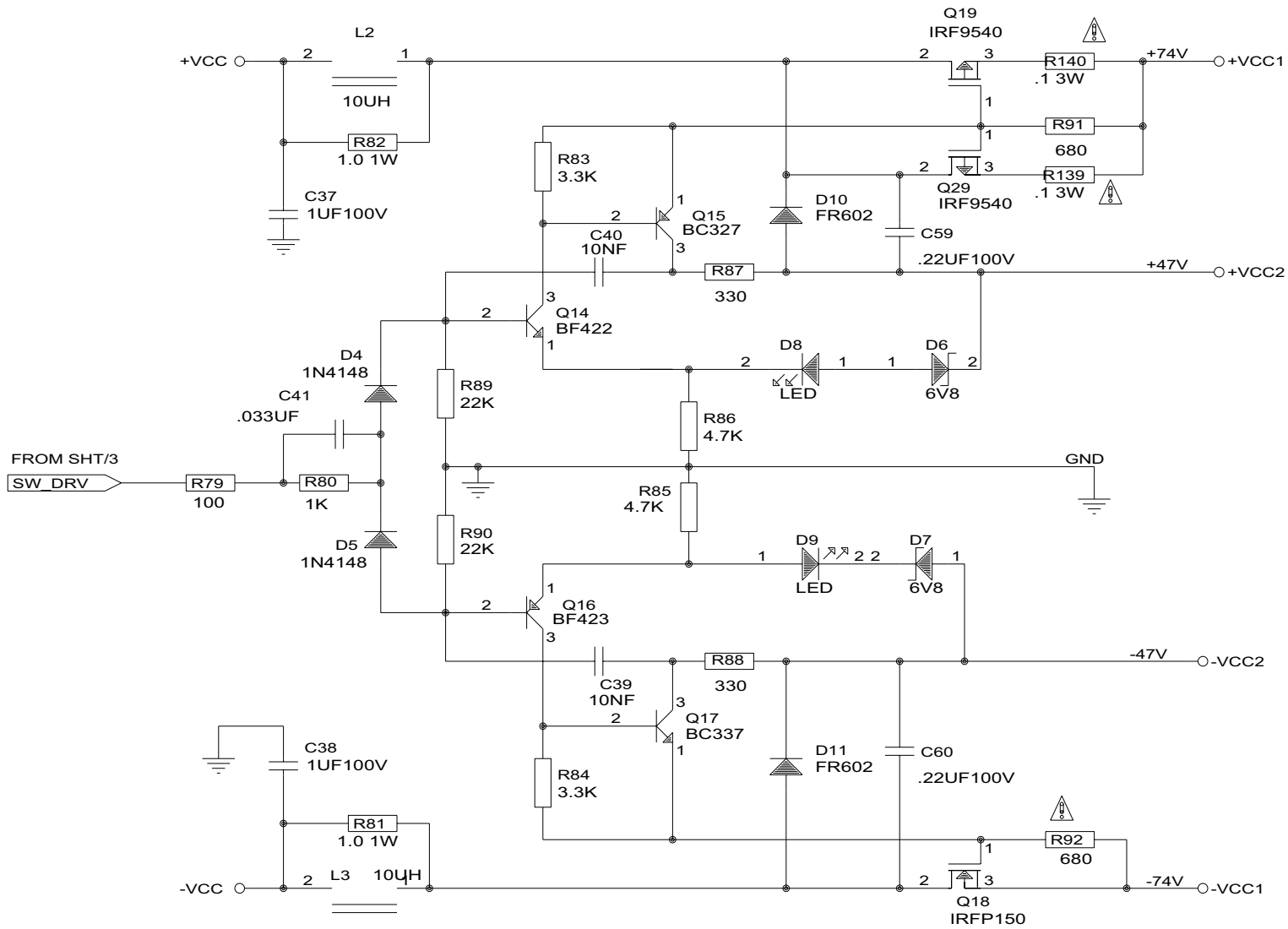


VAC-com, INC.		
Title		
NHT SUBWOOFER AMP- FILTERS		
Size	Document Number	REV
A	PA411072	3
Date:	May 15, 1995	Sheet 2 of 5

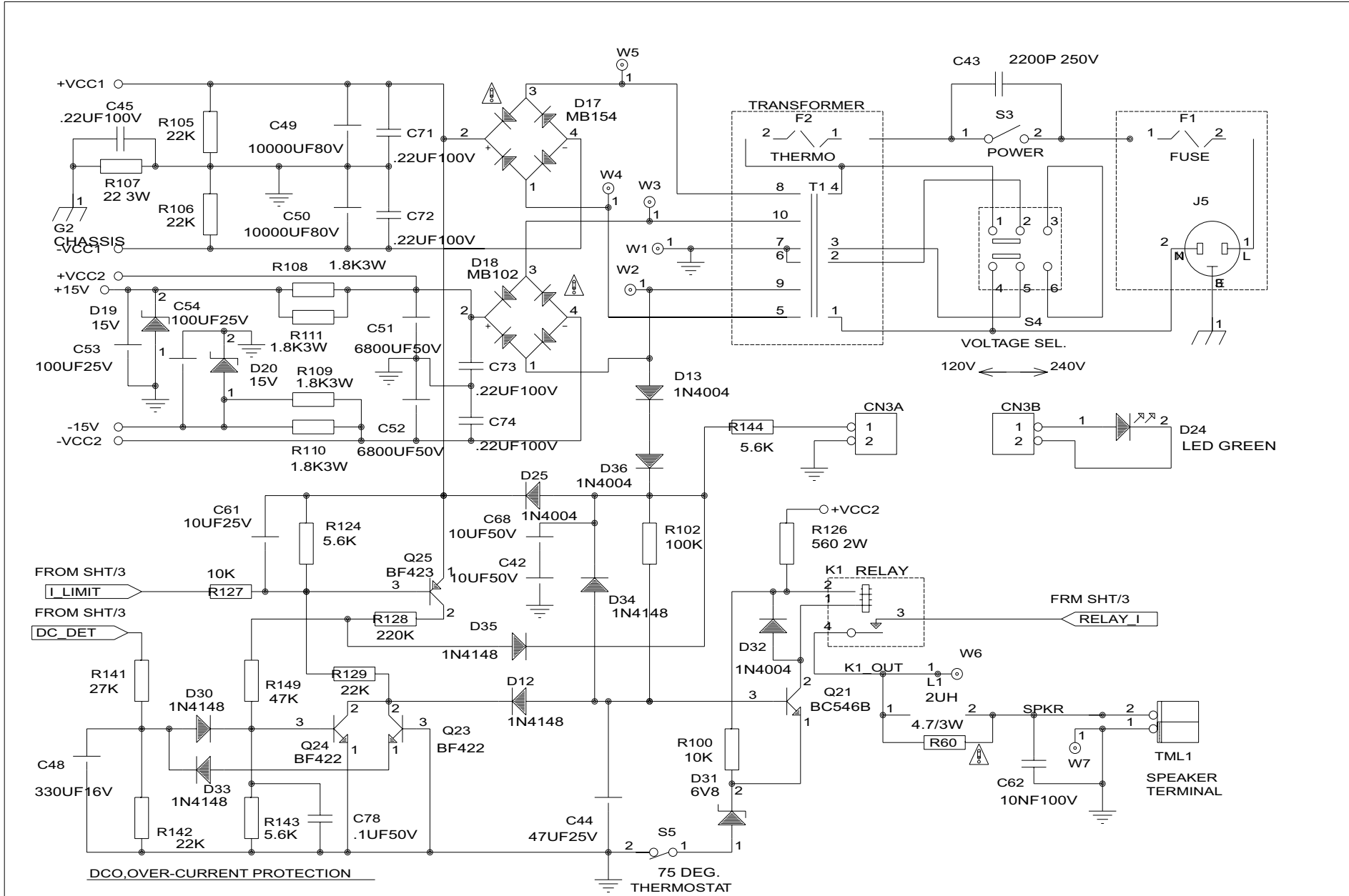


- NOTE: 1. ALL RESISTORS 1/4W 5% TOLERANCE UNLESS OTHERWISE SPECIFIED.  
 2. ALL CAPACITORS RATED 50VDC UNLESS OTHERWISE SPECIFIED.  
 3. ALL CAPACITORS IN PF ARE 10% TOLERANCE.  
 4. WHEN SERVICING PARTS MARKED WITH " " ARE TO BE REPLACED WITH THE SAME TYPE AND SAME VALUE ONLY

VAC-com, INC.		
Title		
NHT SUBWOOFER AMP- MAIN POWER AMP		
Size	Document Number	REV
A	PA411073	3
Date:	May 9, 1997	Sheet 3 of 5



VAC-com, INC.		
Title		
NHT SUBWOOFER AMP- POWER SWITCH		
Size	Document Number	REV
A	PA411074	3
Date:	April 6, 1995	Sheet 4 of 5



NOTES: FUSE VALUE: 4A/250 SLOW BLOW FOR 120 AC INPUT  
 2A/250V SLOW BLOW FOR 220V AC INPUT

VAC-com, Inc.		
Title NHT SUBWOOFER AMP- POWER SUPPLY		
Size A	Document Number PA411075	REV 3
Date: May 15, 1995	Sheet 5	of 5