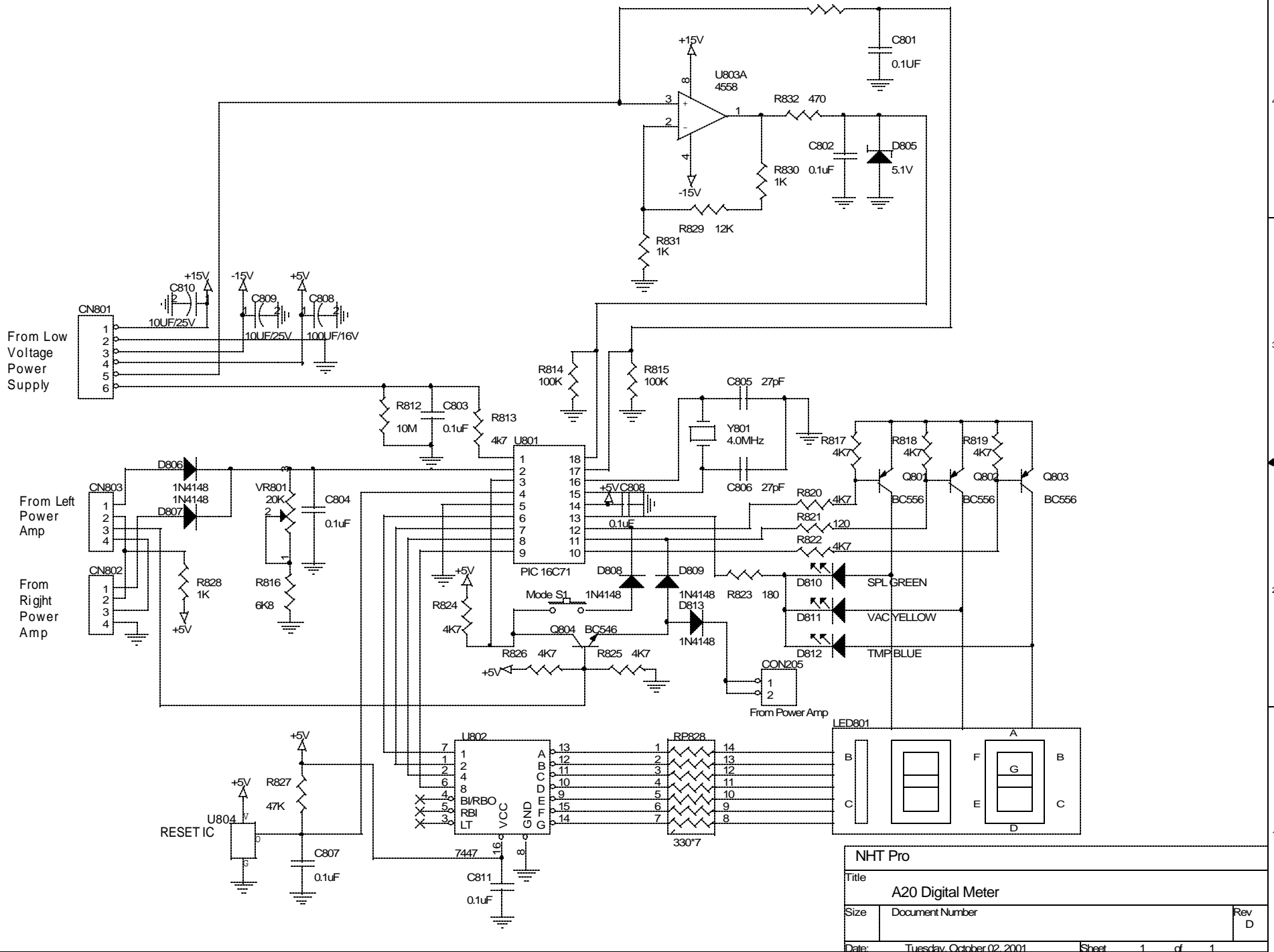
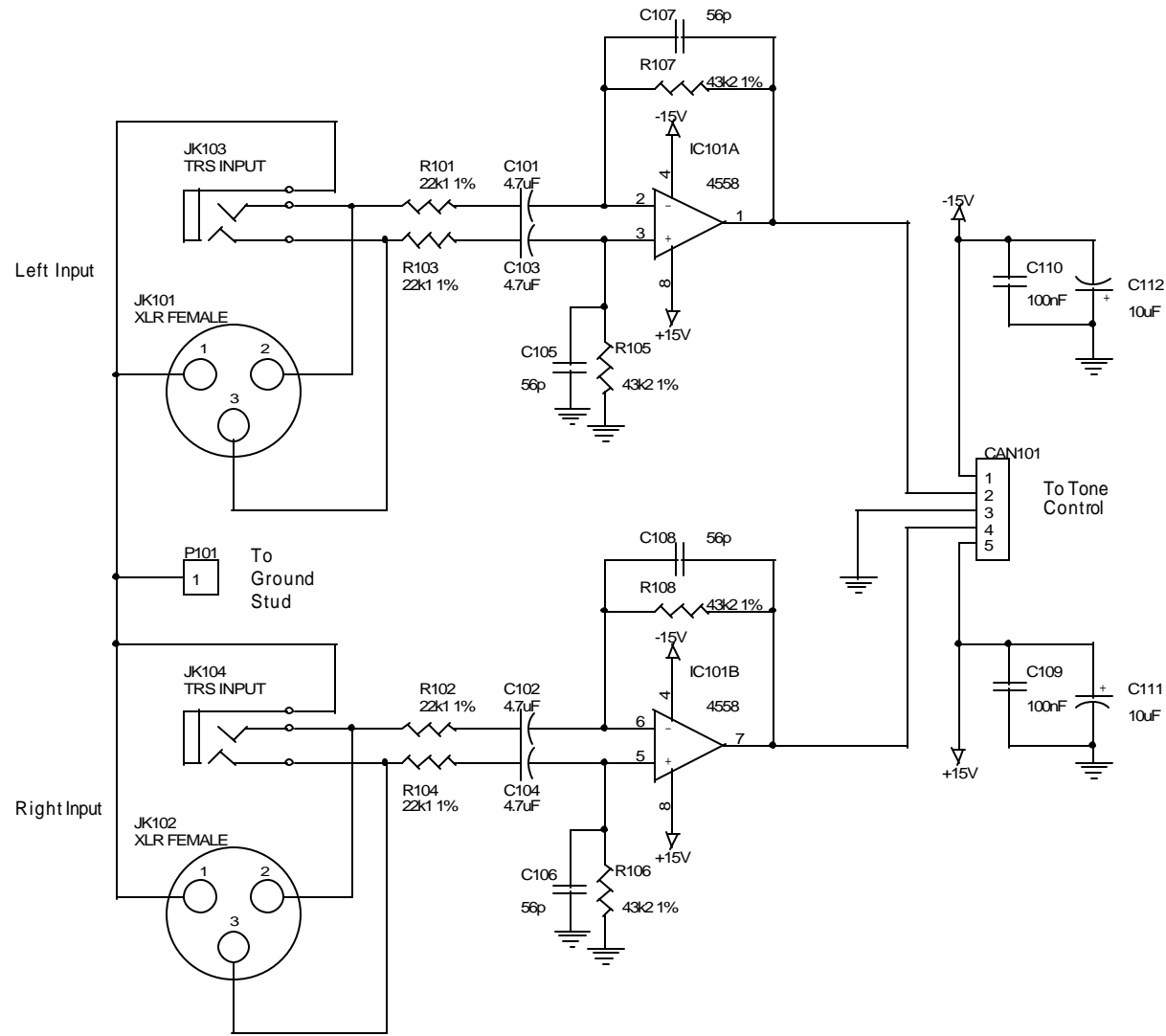


Digital Meter



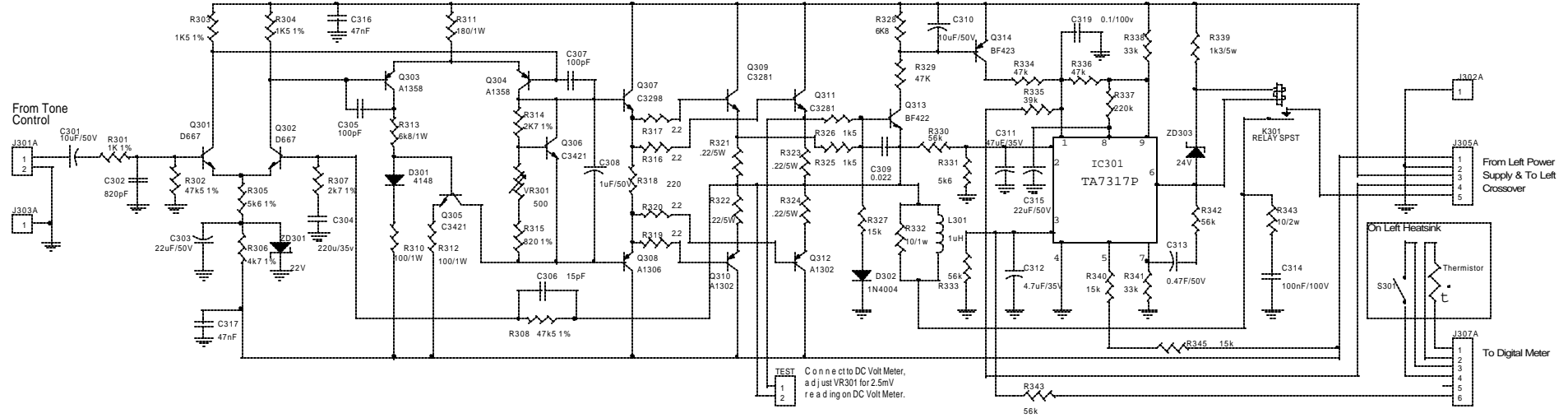
NHT Pro		
Title		
A20 Digital Meter		
Size	Document Number	Rev D
Date:	Tuesday, October 02, 2001	Sheet 1 of 1

Input Buffer

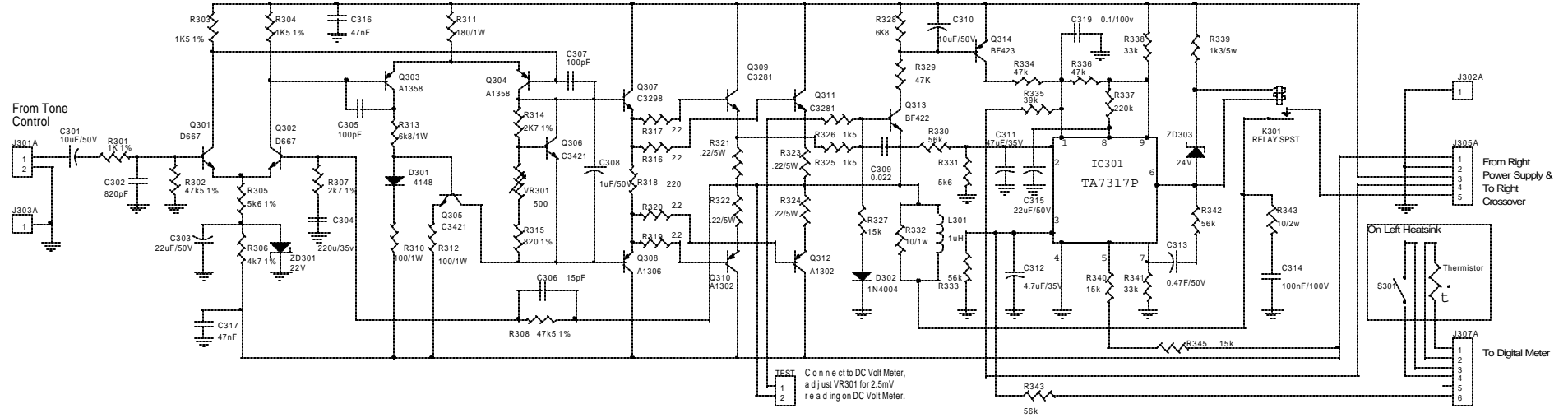


NHT Pro		
Title A20 Input Buffer		
Size	Document Number	Rev D
Date	Tuesday, October 02, 2001	Sheet 1 of 1

Left Power Amp

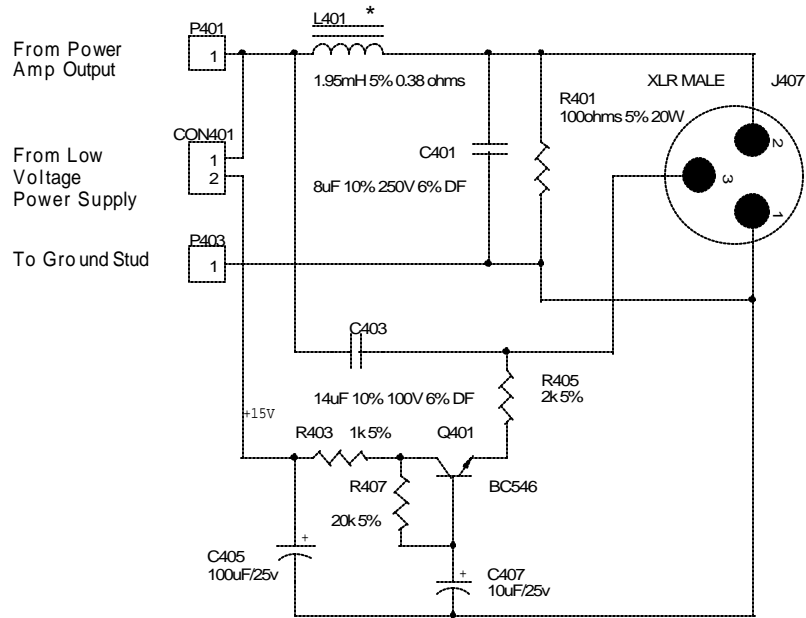


Right Power Amp



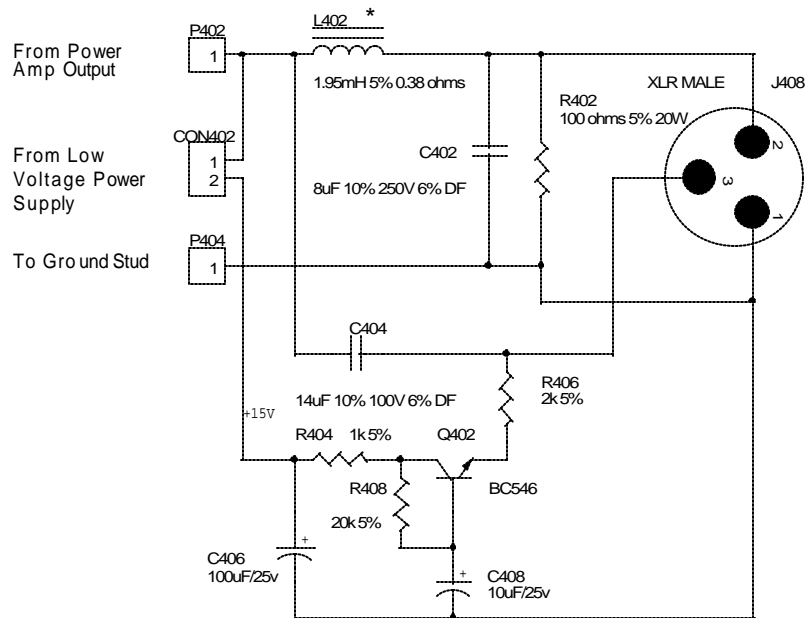
NHT Pro		
Title	A20 Power Amplifier	
Size	Document Number	Rev D
Date	Tuesday, October 02, 2001	Sheet 1 of 1

Left Crossover in Amplifier



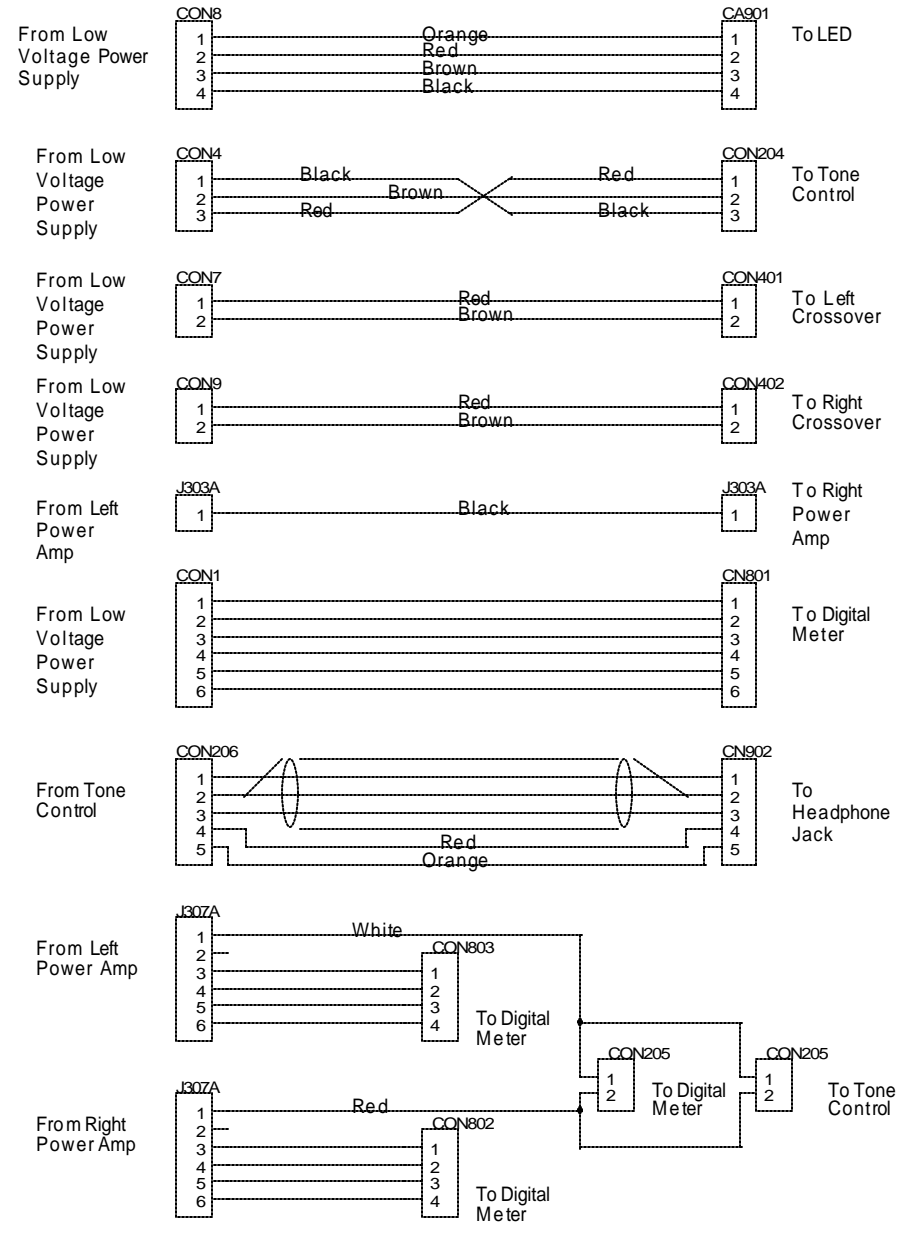
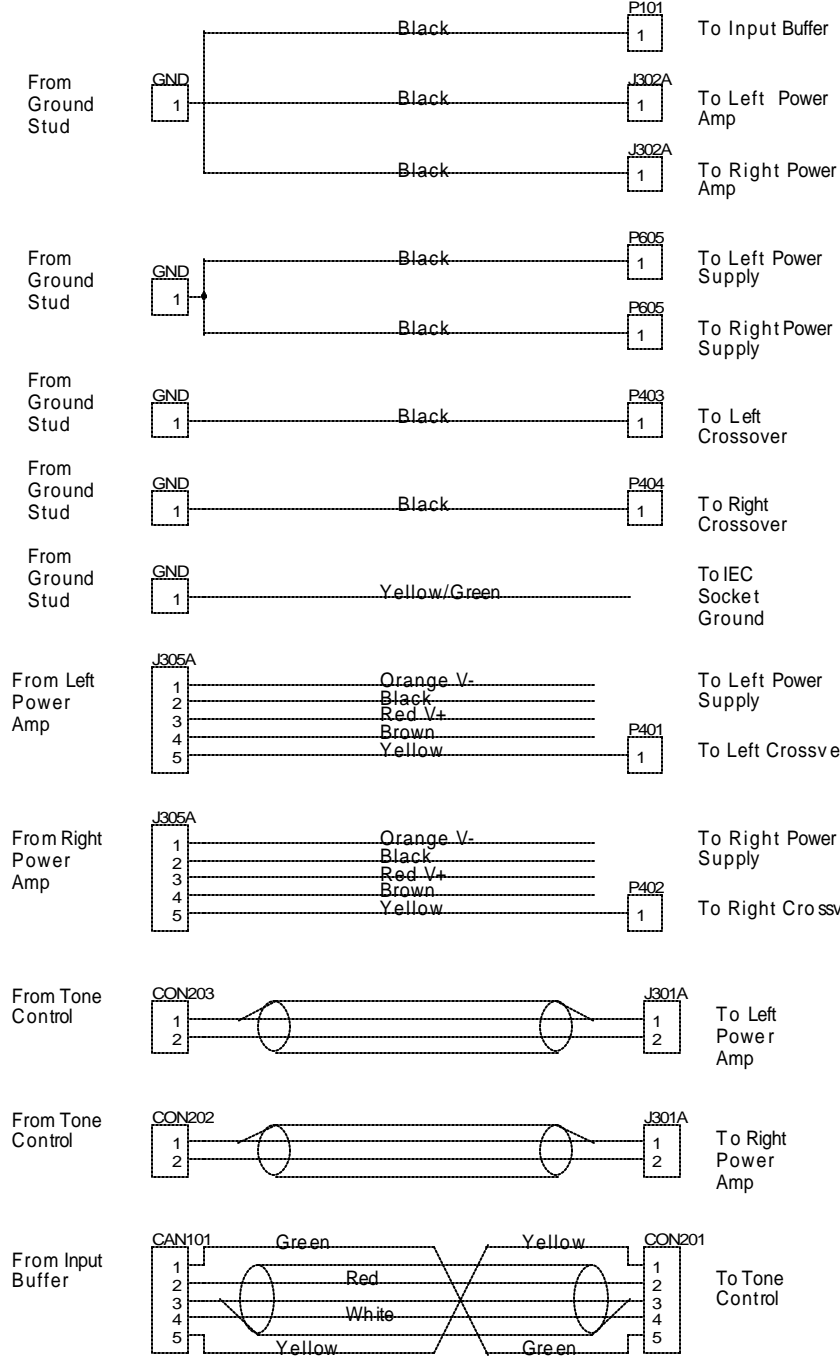
* THESE VALUES ARE TO BE MEASURED WITH THE INDUCTORS MOUNTED IN THE AMPLIFIER. THIS MAY CAUSE BOTH PART VALUES TO BE DIFFERENT FROM EACH OTHER, WHEN MEASURED OUTSIDE THE AMPLIFIER.

Right Crossover in Amplifier



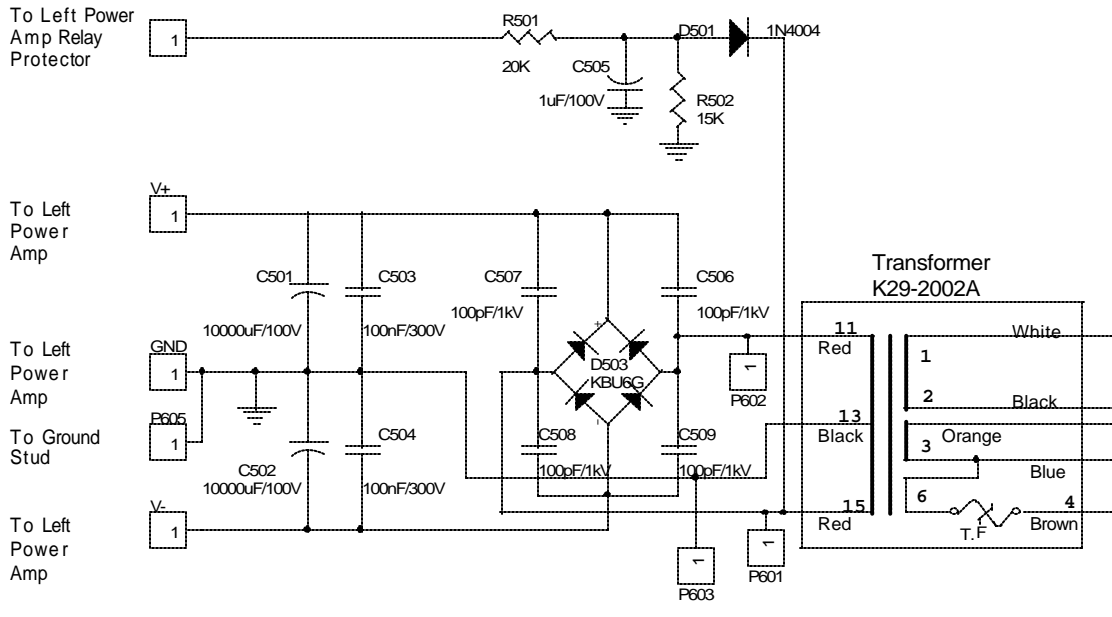
NHT Pro		
Title		
A20 Passive Crossover		
Size	Document Number	Rev D
Date:	Tuesday, October 02, 2001	Sheet 1 of 1

A-20 Cables

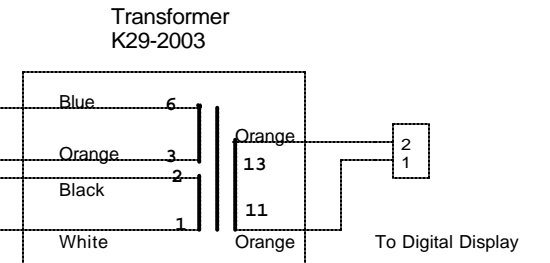
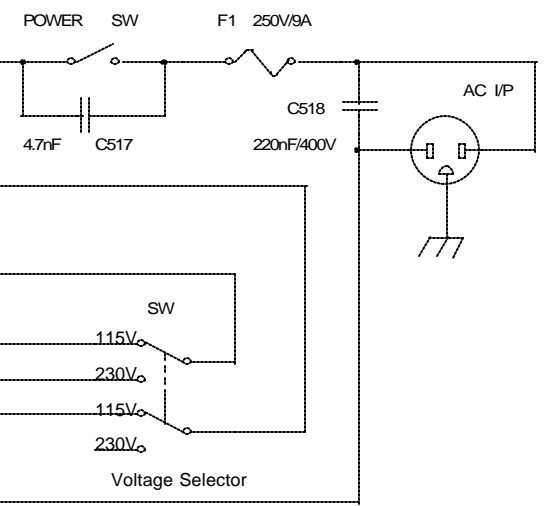
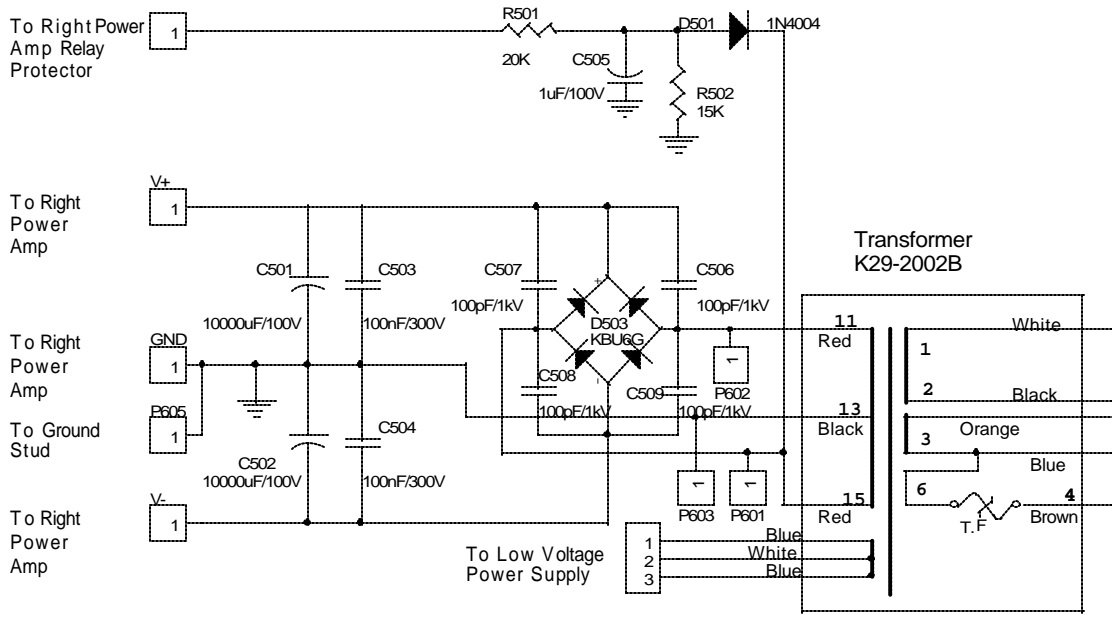


NHT Pro		
Title A 20 Cables		
Size	Document Number	Rev D
Date:	Tuesday, October 02, 2001	Sheet 1 of 1

LEFT POWER SUPPLY

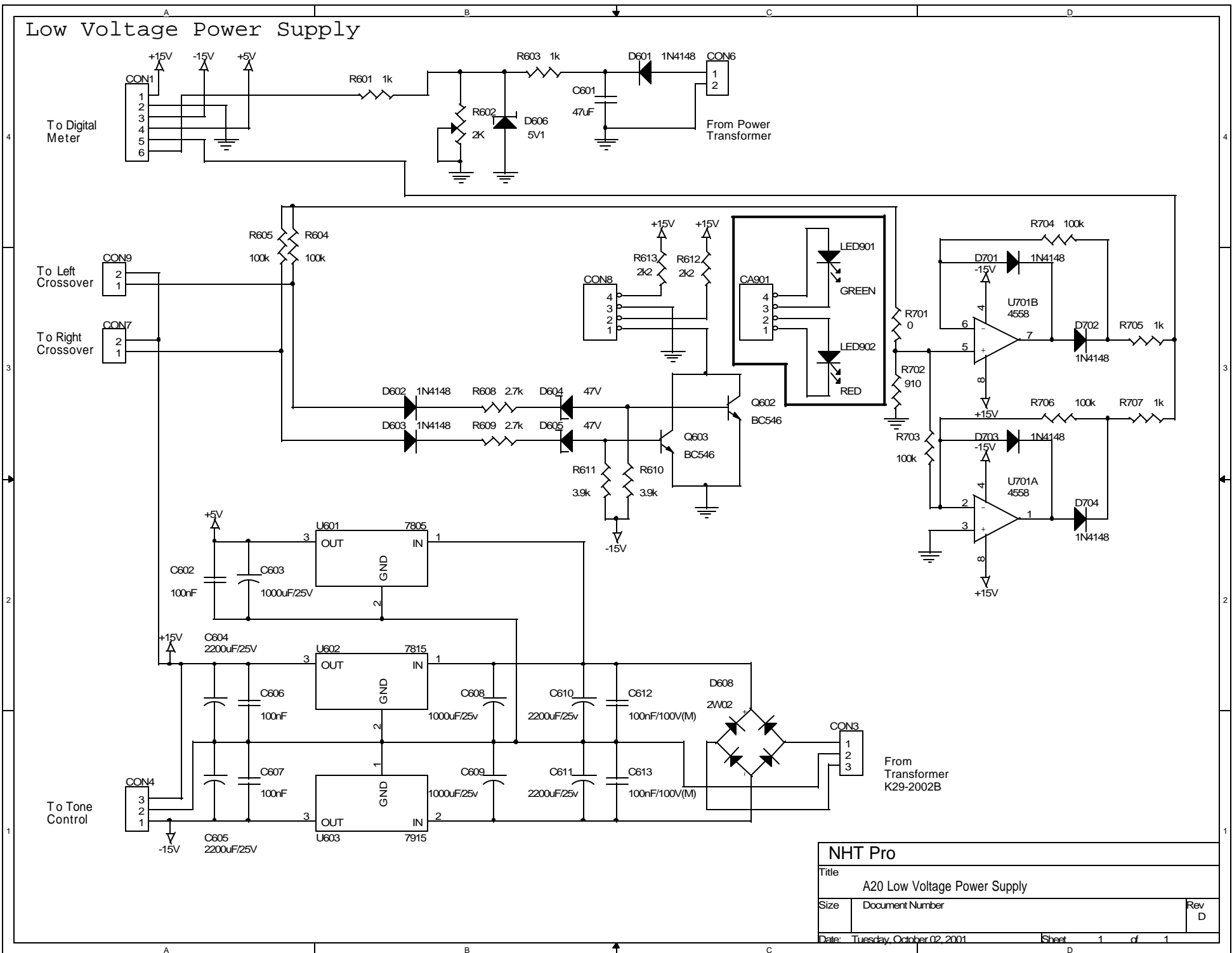


RIGHT POWER SUPPLY



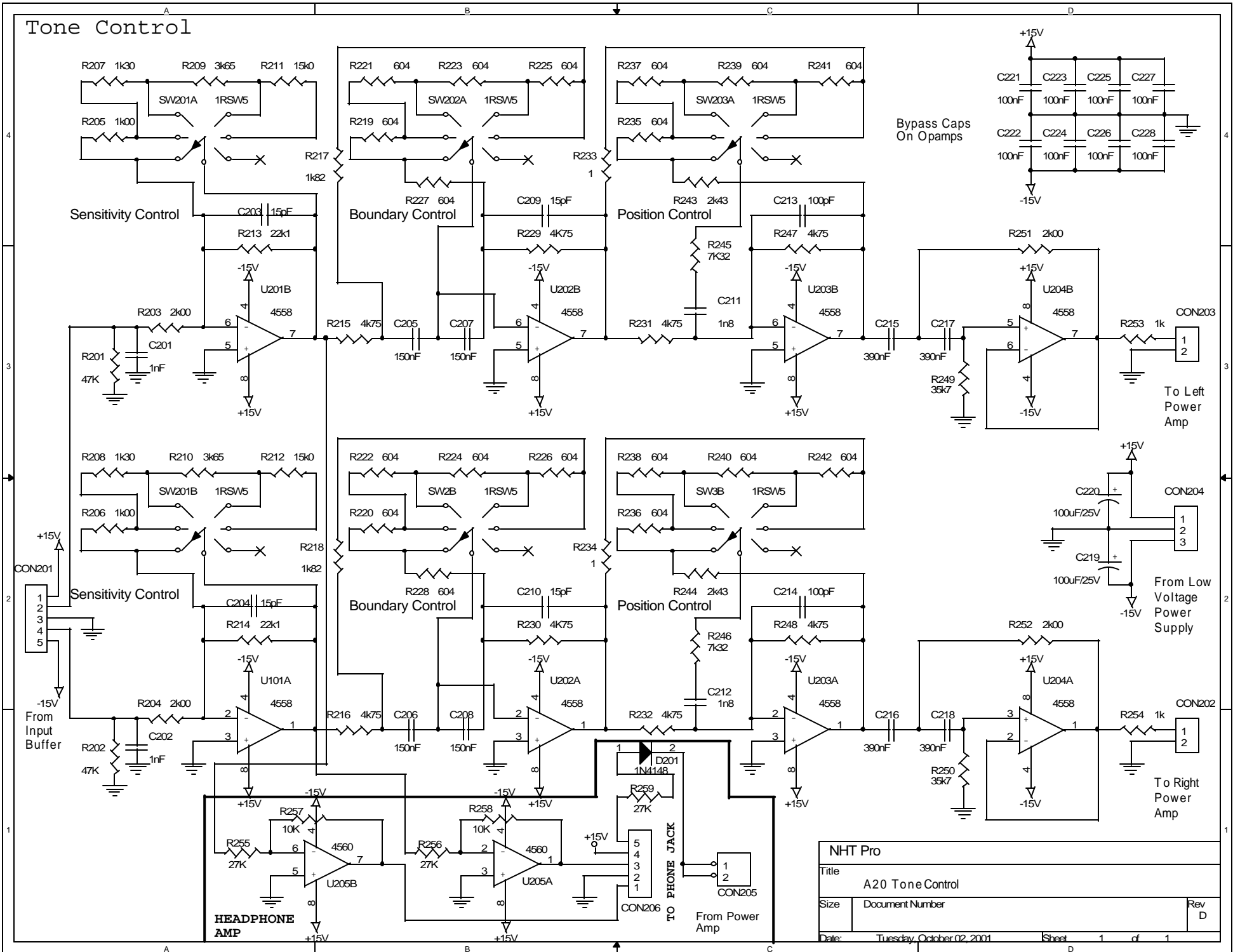
NHT Pro		
Title		
A20 Power Supply		
Size	Document Number	Rev D
Date	Tuesday, October 02, 2001	Sheet 1 of 1

Low Voltage Power Supply



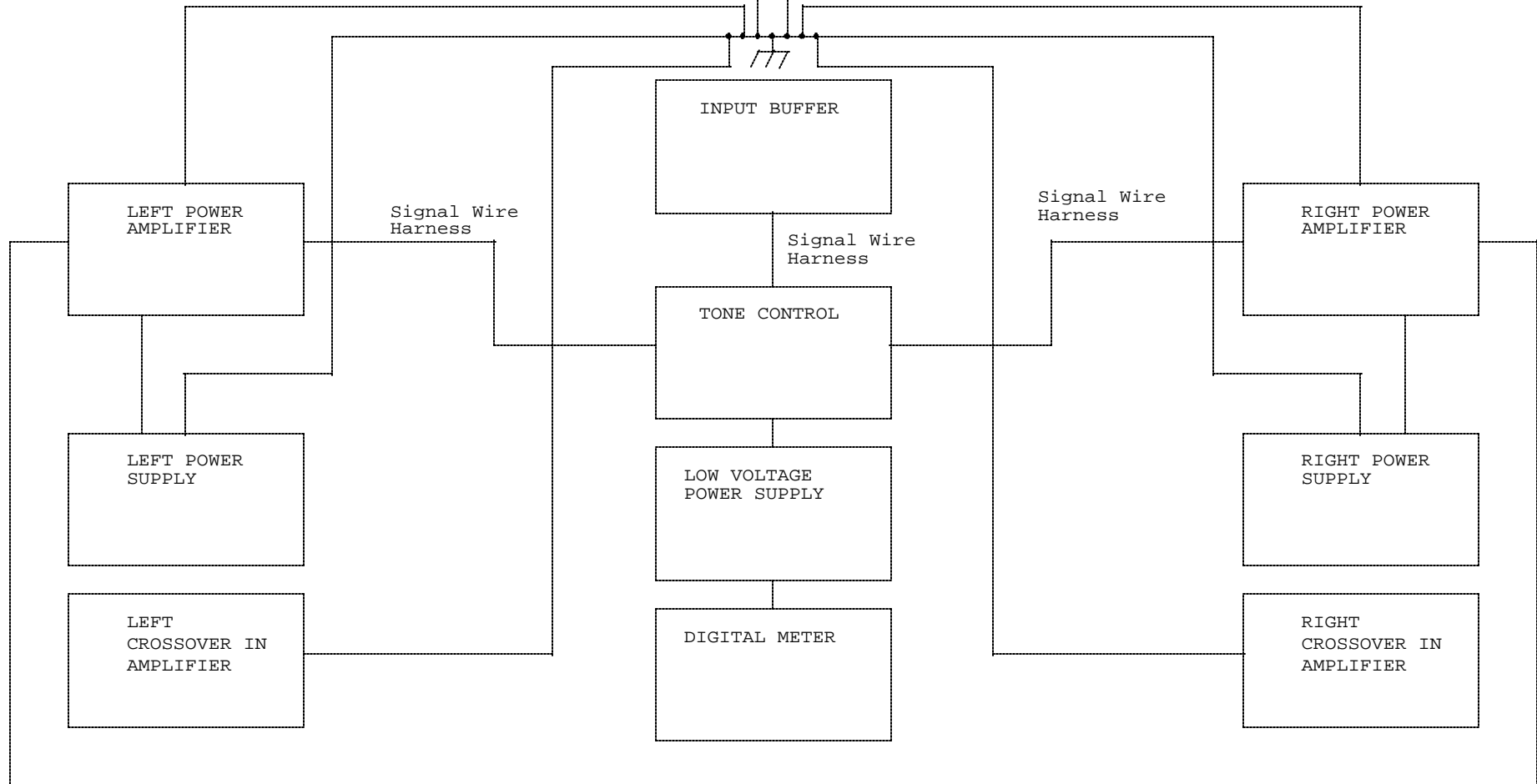
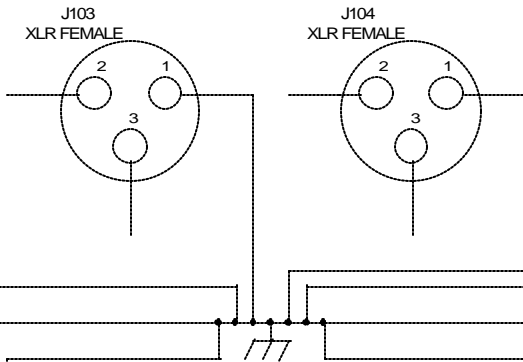
NHT Pro		
Title: A20 Low Voltage Power Supply		
Size	Document Number	Rev D
Date: Tuesday, October 02, 2001		Sheet 1 of 1

Tone Control



NHT Pro		
Title A20 Tone Control		
Size	Document Number	Rev D
Date: Tuesday, October 02, 2001	Sheet	1 of 1

Grounding Connections



NHT Pro		
Title		
A 20 Grounding Diagram		
Size	Document Number	Rev D
Date:	Tuesday, October 02, 2001	Sheet 1 of 1