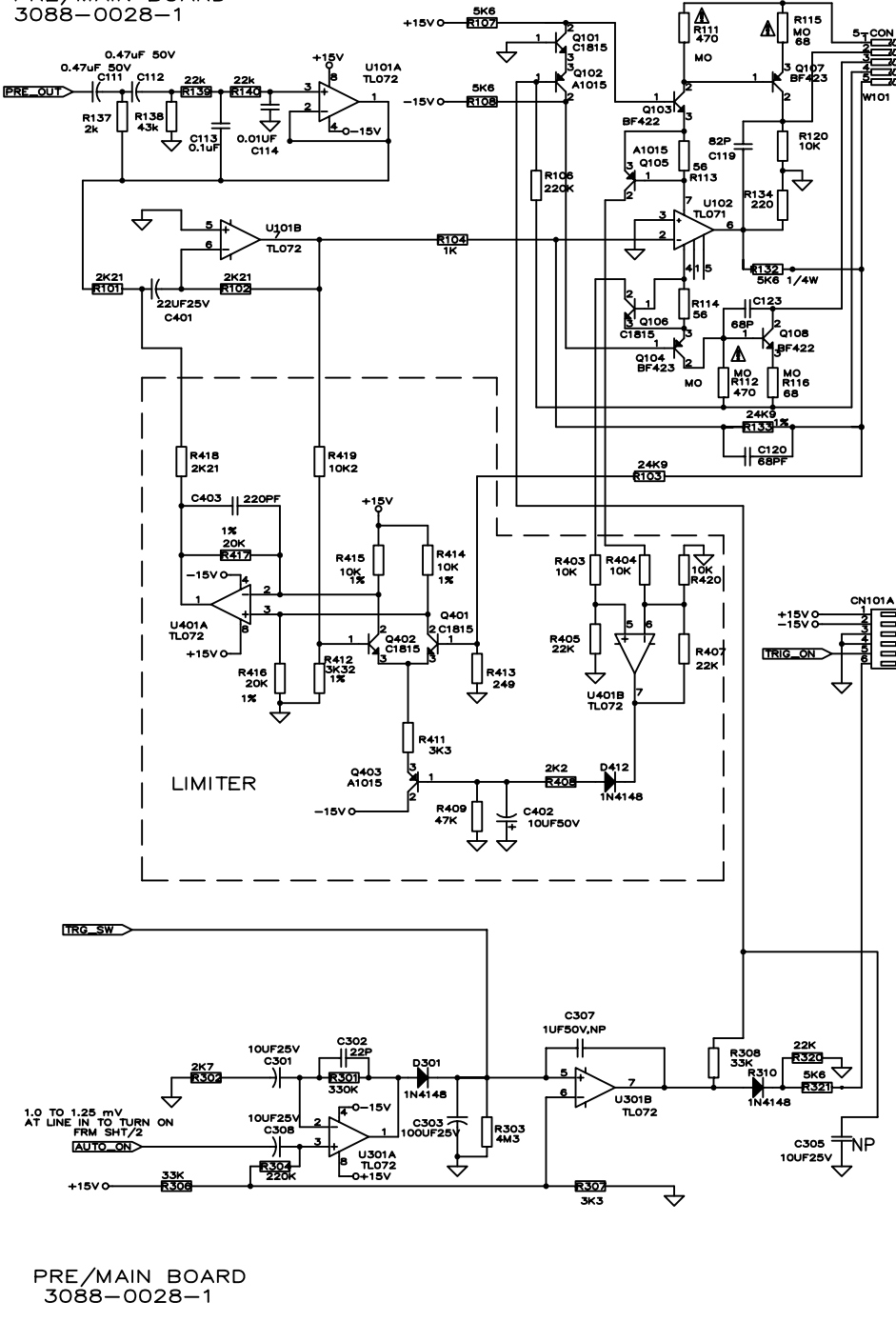
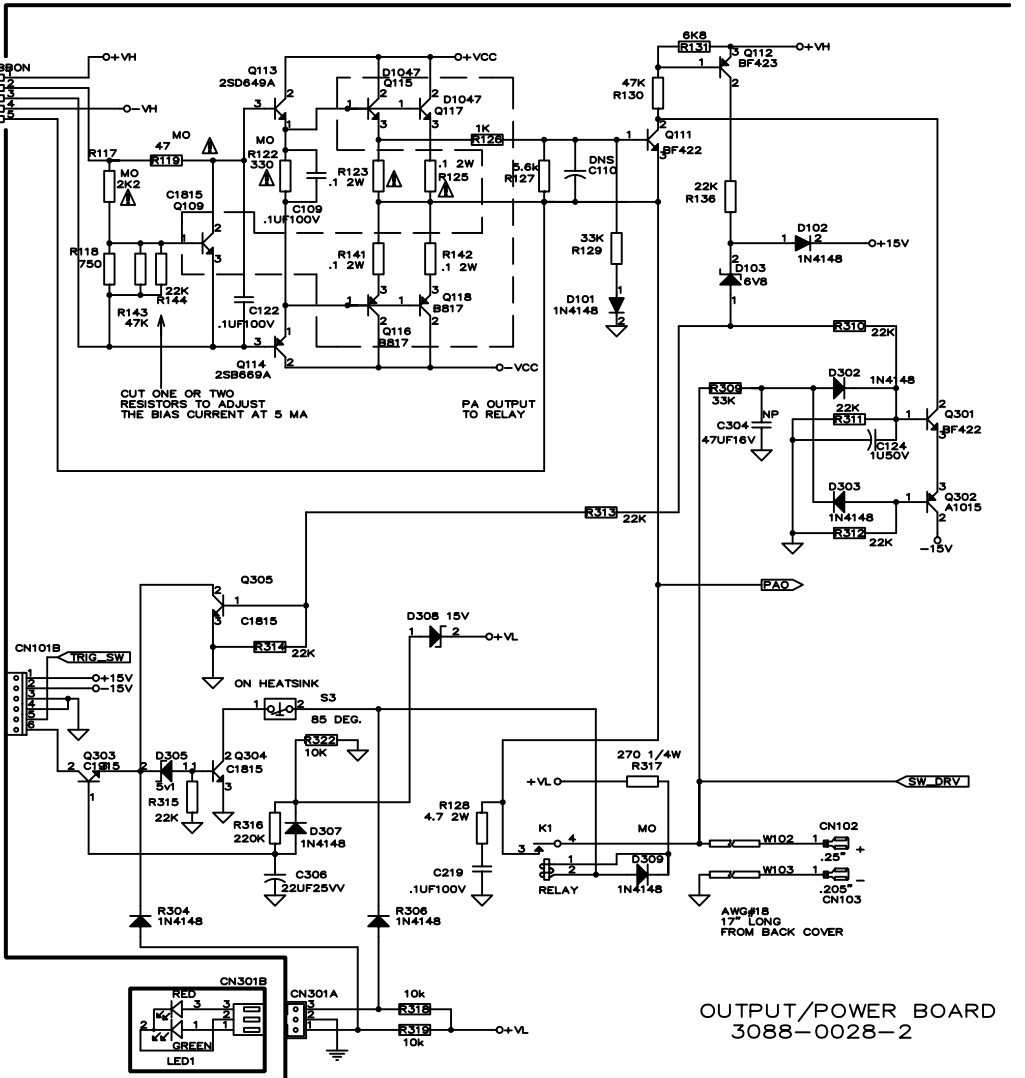


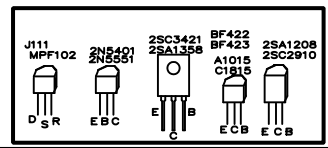
PRE/MAIN BOARD
3088-0028-1



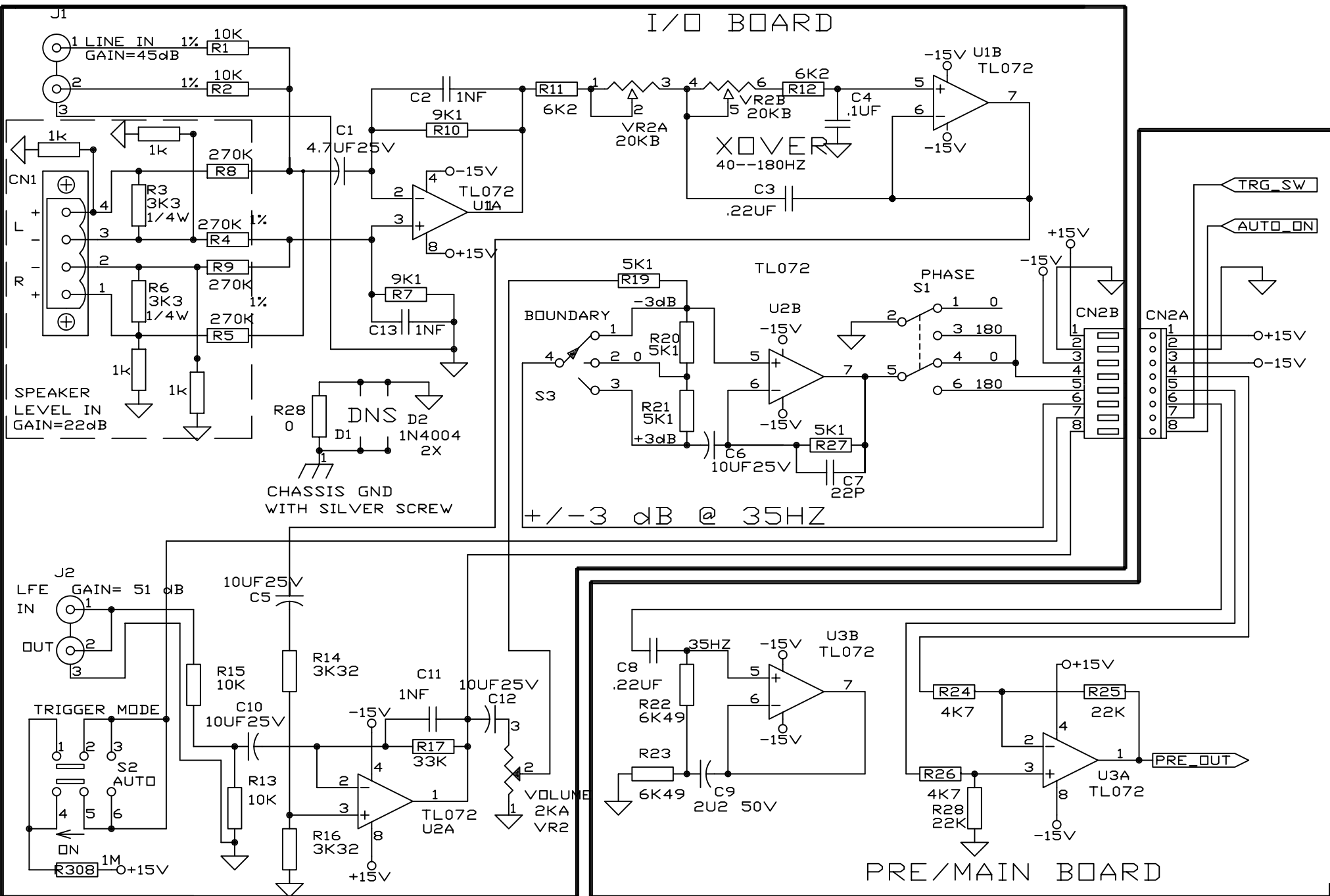
PRE/MAIN BOARD
3088-0028-1



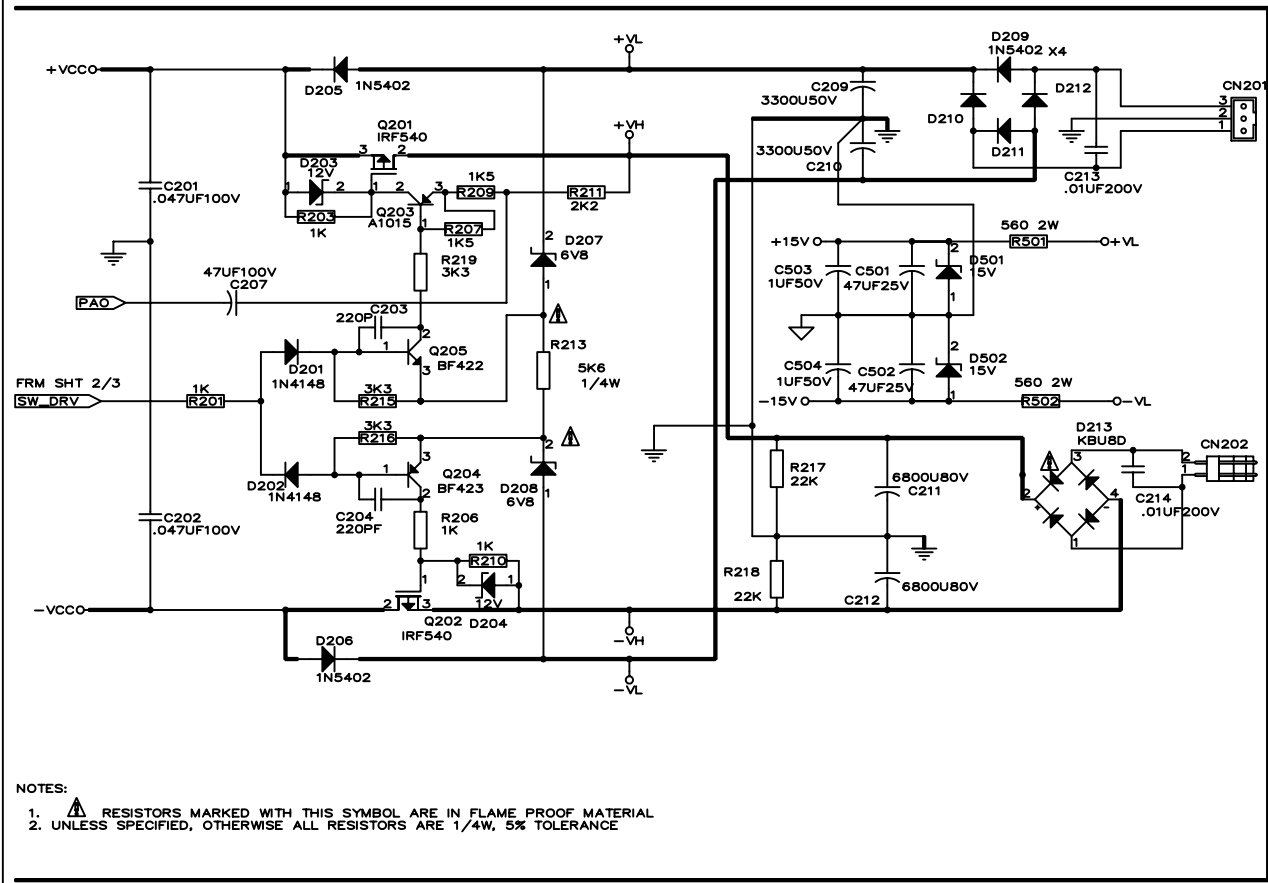
OUTPUT/POWER BOARD
3088-0028-2



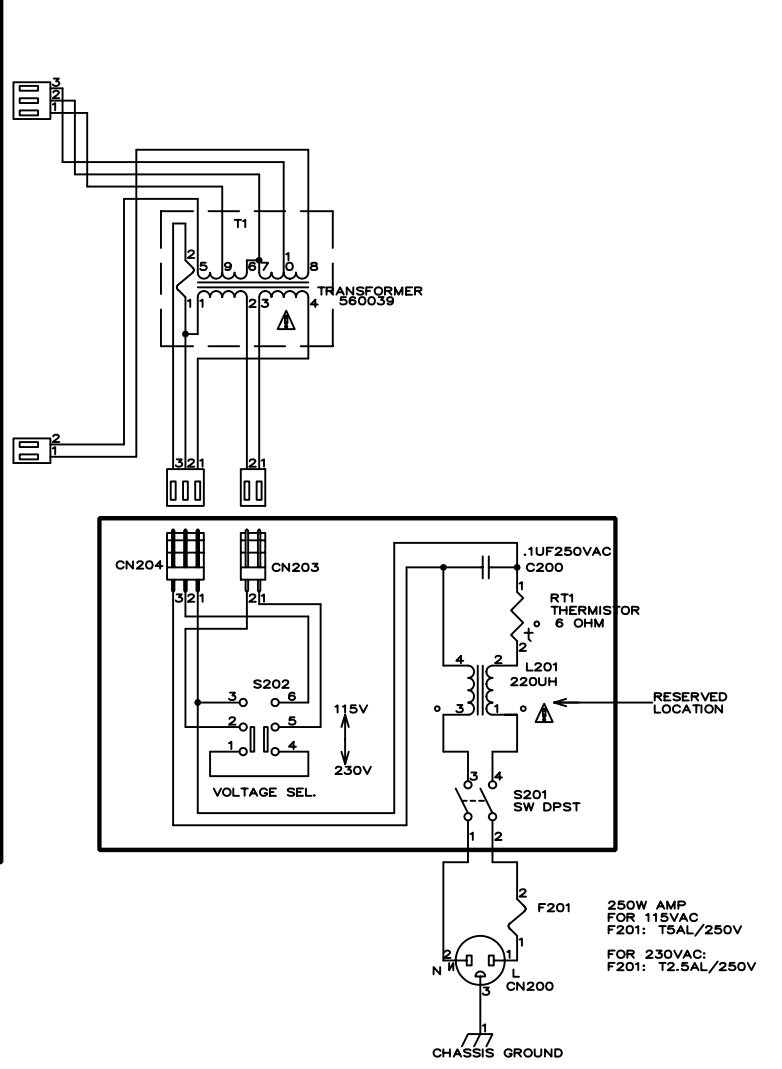
NHT			
Title	Twelve POWER AMP		
Size	Document Number	REV	PP
C	3088-0028		
Date:	October 10, 2005	Sheet	1 of 3



NHT			
Title Twelve preamplifier schematic			
Size A	Document Number 3088-0021	REV PP	
Date: October 10, 2005	Sheet 2 of	3	



NOTES:
 1.  RESISTORS MARKED WITH THIS SYMBOL ARE IN FLAME PROOF MATERIAL
 2. UNLESS SPECIFIED, OTHERWISE ALL RESISTORS ARE 1/4W, 5% TOLERANCE



NHT			
Title Twelve power supply schematic			
Size B	Document Number 3088-0028	REV PP	
Date:	October 10, 2005	Sheet	3 of 3