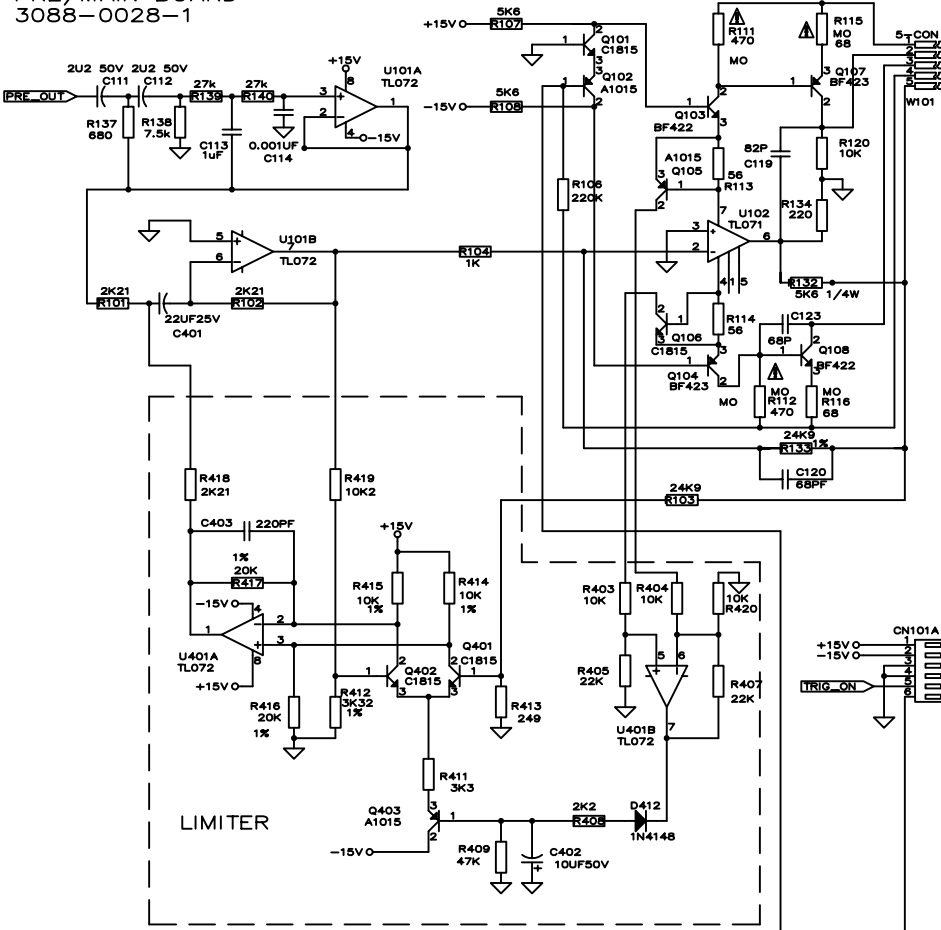
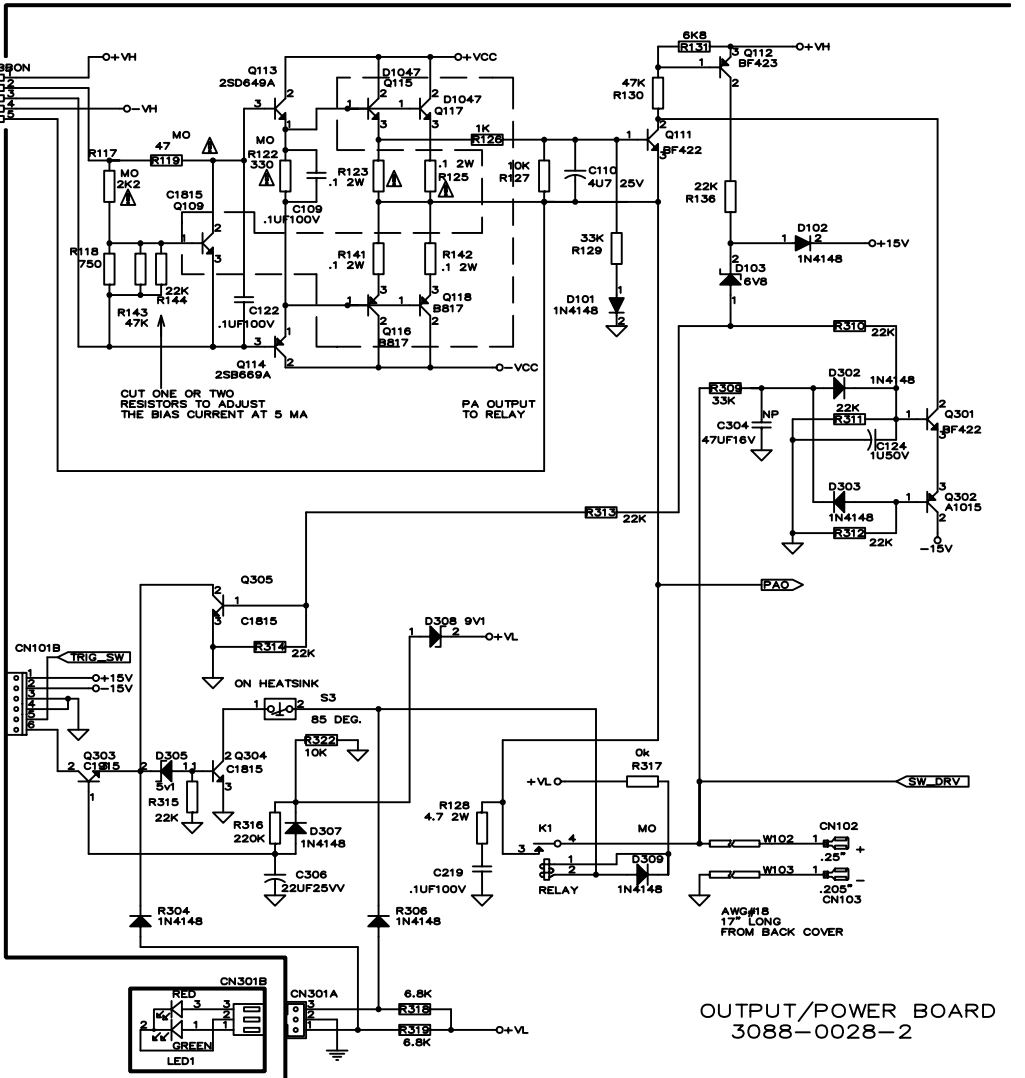
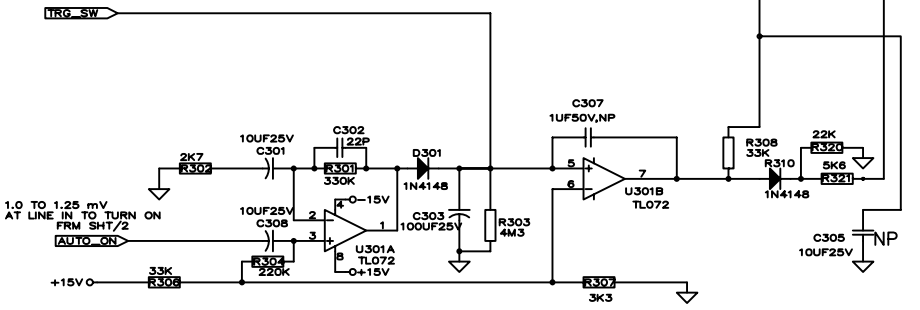


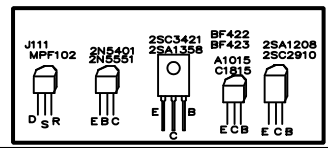
PRE/MAIN BOARD
3088-0028-1



PRE/MAIN BOARD
3088-0028-1

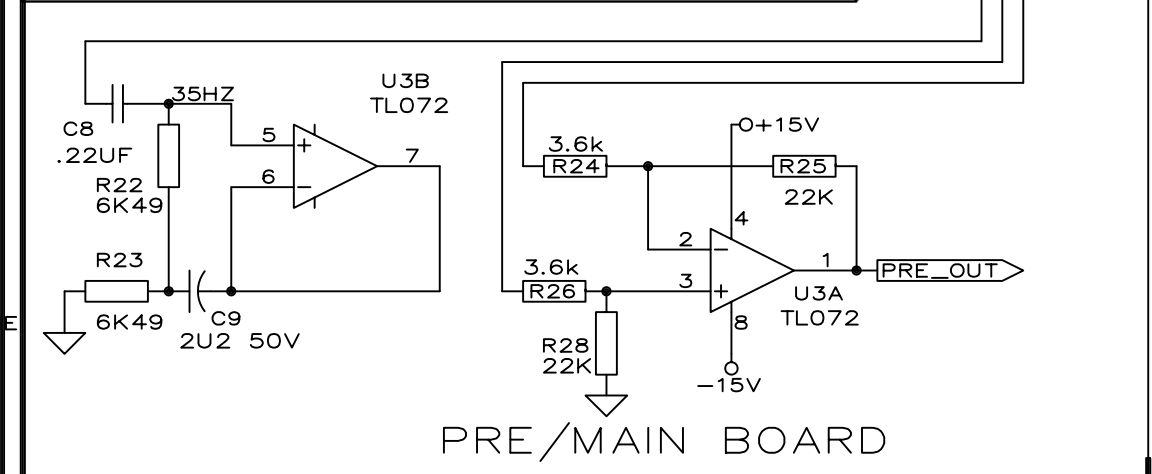
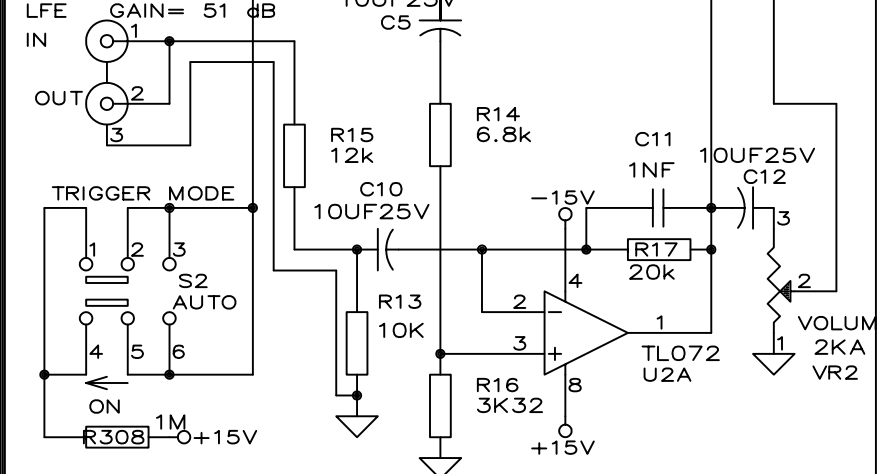
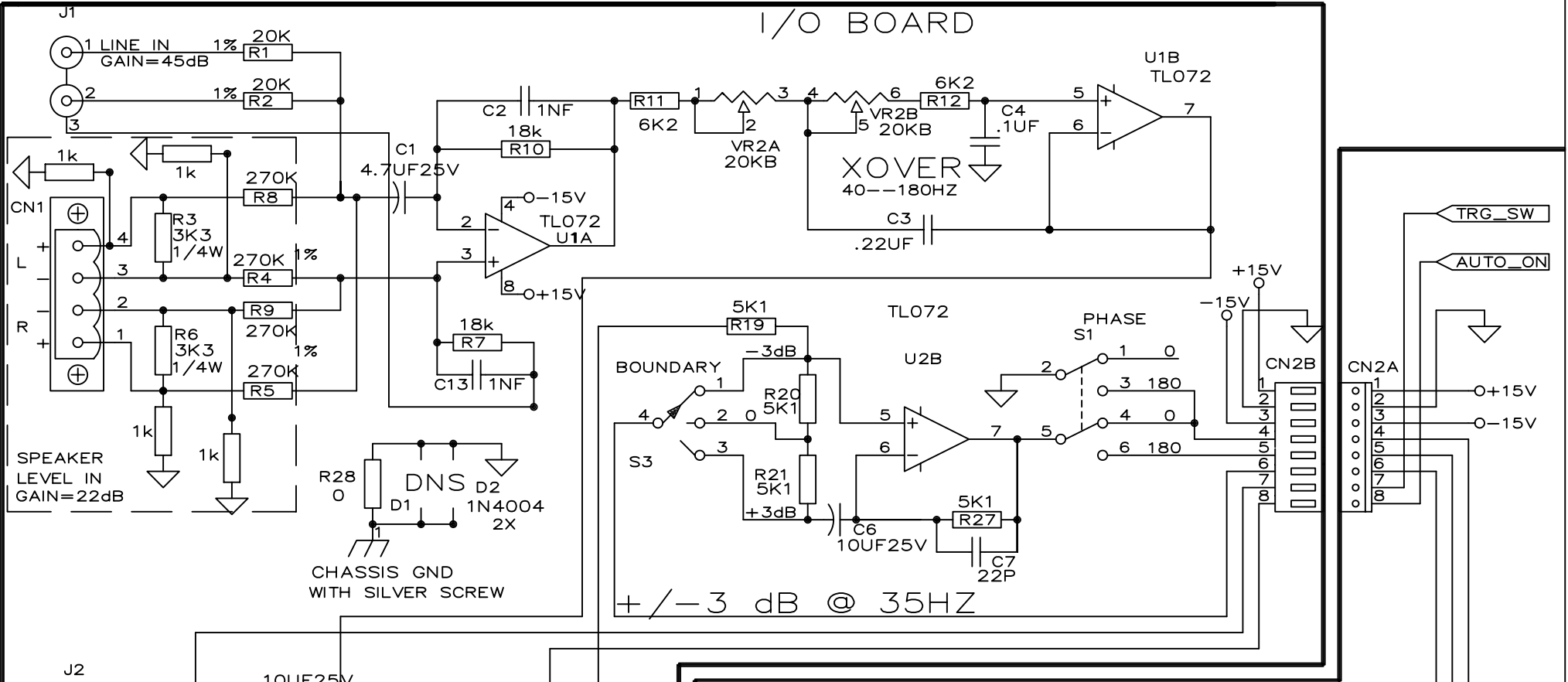


OUTPUT/POWER BOARD
3088-0028-2

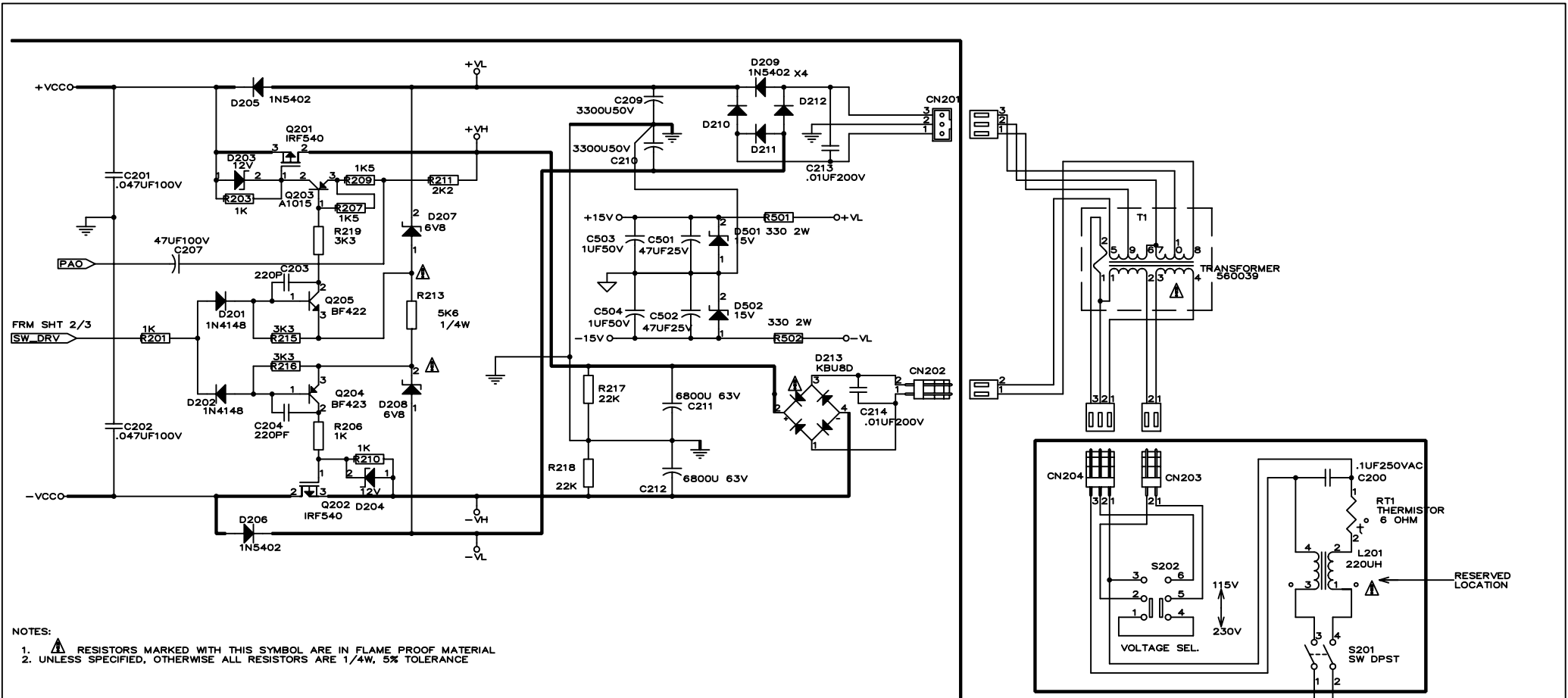


NHT			
Title	Ten POWER AMP		
Size	Document Number	3088-0028	REV
C			PP
Date:	October 10, 2005	Sheet	1 of 3

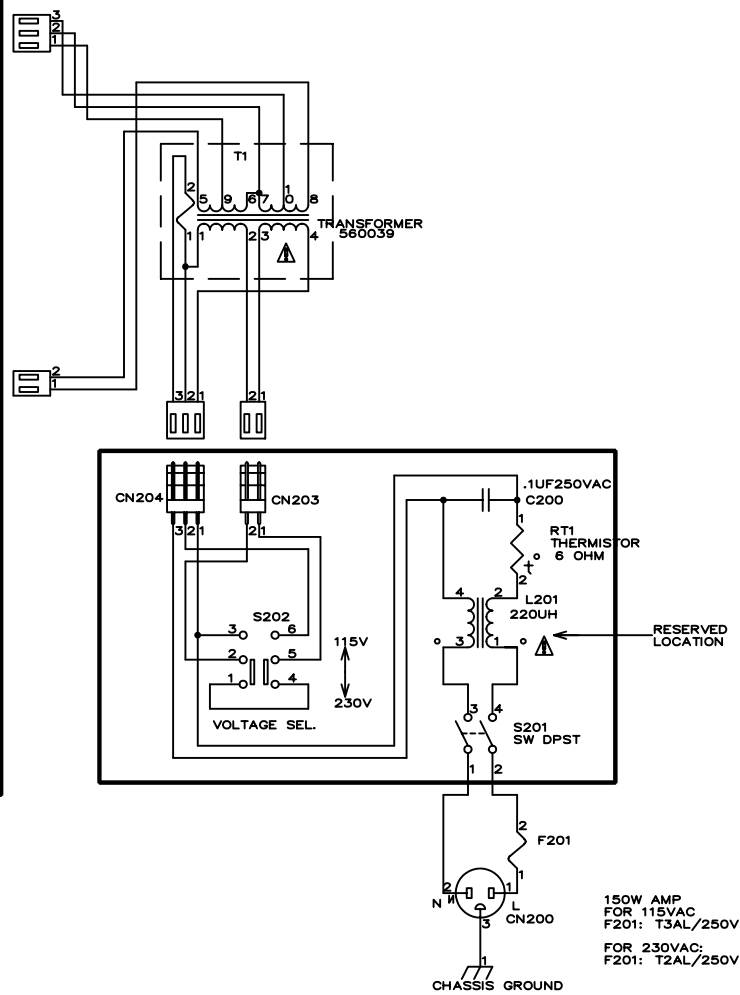
I/O BOARD



NHT		
Title		
Ten PREAMP		
Size	Document Number	REV
A	3088-0021	PP
Date:	October 10, 2005	Sheet 2 of 3



NOTES:
 1. ⚠ RESISTORS MARKED WITH THIS SYMBOL ARE IN FLAME PROOF MATERIAL
 2. UNLESS SPECIFIED, OTHERWISE ALL RESISTORS ARE 1/4W, 5% TOLERANCE



NHT		
Title Ten power supply		
Size	Document Number	REV
B	3088-0028	PP
Date:	October 10, 2005	Sheet 3 of 3