



F4 ENGINE PARTS MANUAL
CUSTOMER

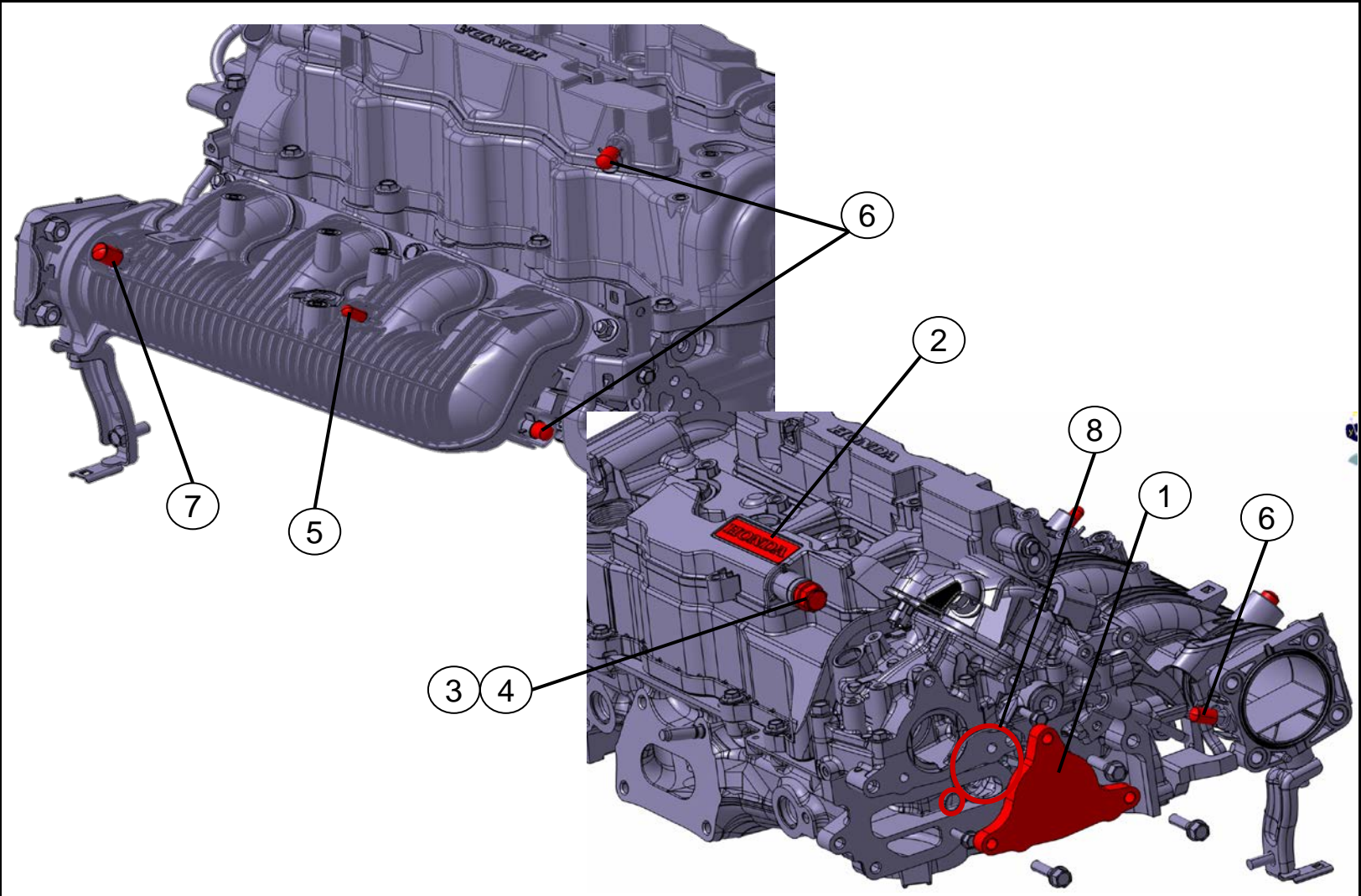
2020

ISSUE 1.0
2/21/20

FOR PARTS ORDERING REFERENCE ONLY

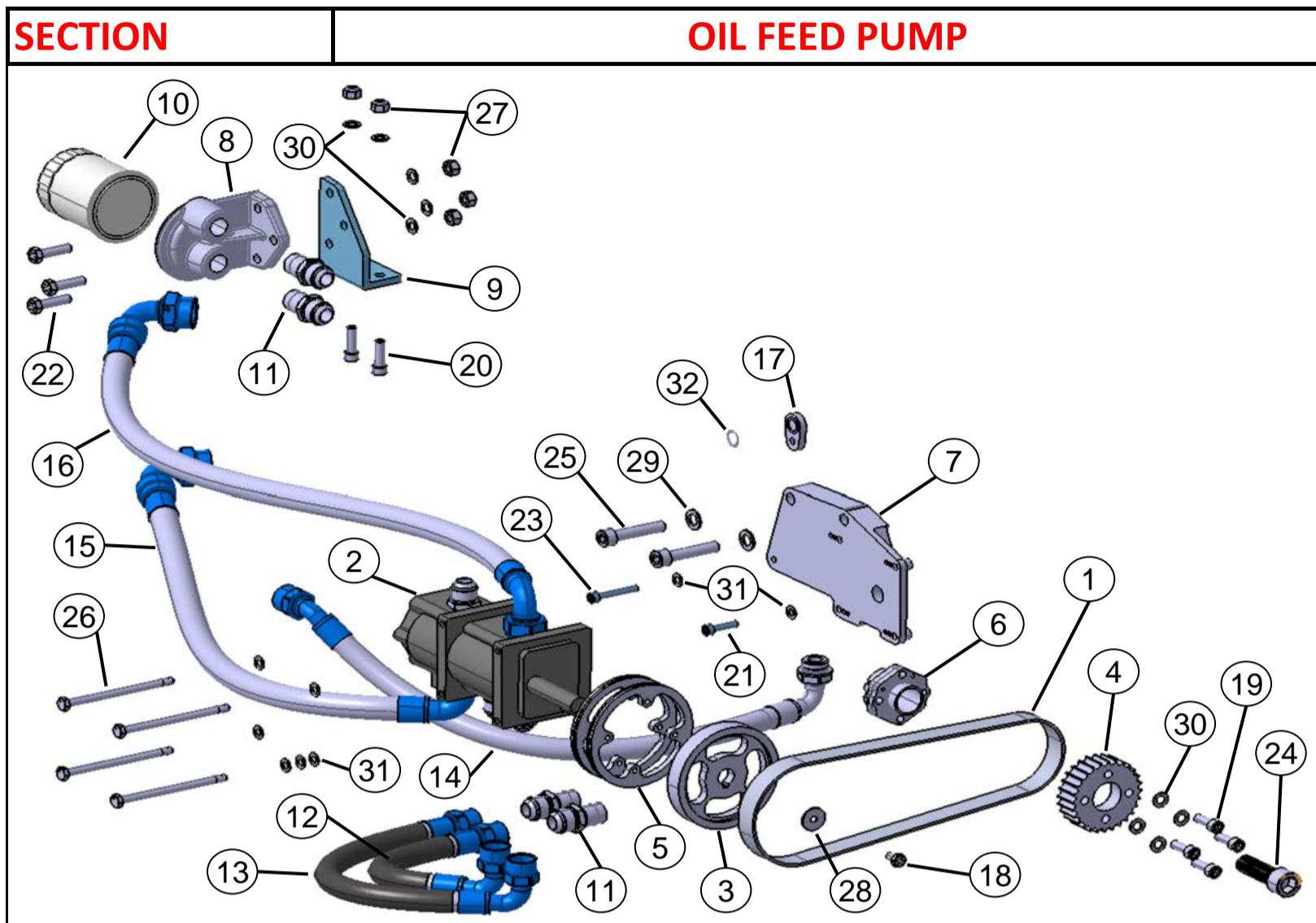
F4 PARTS LIST

SECTION	CYLINDER HEAD PLUGS
----------------	----------------------------



No.	Part No.	Name	QTY.	Notes
1	12275F29SA11	PLATE,VACUUM PUMP BLOCK OFF	1	
2	12351F29SA01	EMBLEM,CYLINDER HEAD COVER	1	
3	17139F29SA00	ORIFICE,BREATHER F4	1	
4	17429FC4YA000	VENT,1/4 NPT MALE BREATHER	1	
5	17224FC4YA000B2	CAP,VACUUM (3/16")	1	
6	17224FC4YA000B3	CAP,VACUUM (5/16")	3	
7	17224FC4YA000B4	CAP,VACUUM (3/8")	1	
8	91305RPYG010M1	PKG,VACUUM PUMP HOLDER	1	

F4 PARTS LIST

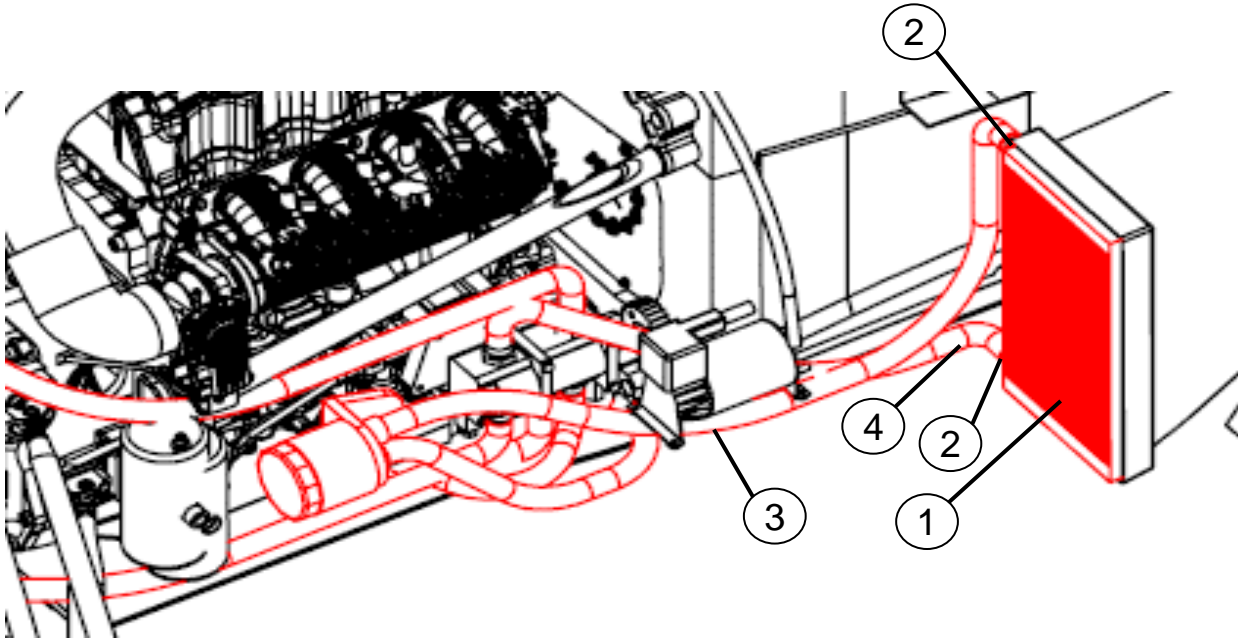


No.	Part No.	Name	QTY.	Notes
1	15061FC4YA000	BELT,OIL PUMP	1	
2	15100F29SA000	PUMP ASSY,OIL	1	
3	15102FC4YA000	PULLEY,OIL PUMP	1	
4	15103F29SA001	PULLEY,OIL PUMP DRIVE	1	
5	15104FC4YA000	BELT GUIDE,PUMP PULLEY	1	
6	15105F29SA100	ADAPTER,OIL PUMP DRIVE	1	
7	15110F29SA000	BRKT COMP,OIL PUMP	1	
8	15311FC4YA000	ADAPTER,REMOTE OIL FILTER	1	
9	15312F29SA001	BRACKET,OIL FILTER ADAPTER	1	
10	15400FC4YA000	OIL FILTER CARTRIDGE	1	
11	15401FC4YA000	ADAPTER,1/2NPT TO -10	4	
12	15402F29SA002	HOSE COMP,SCAVENGE 1	1	
13	15403F29SA002	HOSE COMP,SCAVENGE 2	1	
14	15404F29SA010	HOSE COMP,OIL FILTER TO BLOCK	1	
15	15406F29SA010	HOSE COMP,OIL TANK TO PUMP	1	
16	15407F29SA001	HOSE COMP,OIL PUMP TO TANK	1	
17	15530F29SA000	PLATE,TURBO OIL FEED BLOCK OFF	1	
18	90113FC4YH700	BOLT,HEX 1/4-28X0.5	1	
19	90123FC4YB800	BOLT,BUTTON HEAD 5/16-24X0.875	4	
20	90125FC4YM200	BOLT,SOCKET HEAD CAP 5/16IN-24	2	
21	90125FC4YM600	BOLT,SOCKET M6X25	1	
22	90132FC4YH800	BOLT,HEX 5/16-24X1.25	3	
23	90140FC4YM600	BOLT,SOCKET M6X40	1	
24	90150FC4YA000	BOLT,SOCKET M16X1.5-50	1	
25	90150FC4YM100	BOLT,SOCKET M10X1.25-50	2	
26	90199FC4YC000	BOLT,NAS1304-60 1/4-28X4.175	4	
27	90206FC4YD000	NUT,NYLOC 5/16-24	5	
28	90404FC4YD000	WASHER,(0.265"X0.875"X0.064")	1	
29	90415FC4YA000	WASHER,7/16 (NAS1149)	2	
30	90415FC4YA200	WASHER,5/16 (NAS1149)	9	
31	91004F1B X800	WASHER, AN960-416L	8	
32	91382FC4YA000	O-RING,12.42X1.78 VITON	1	

F4 PARTS LIST

SECTION

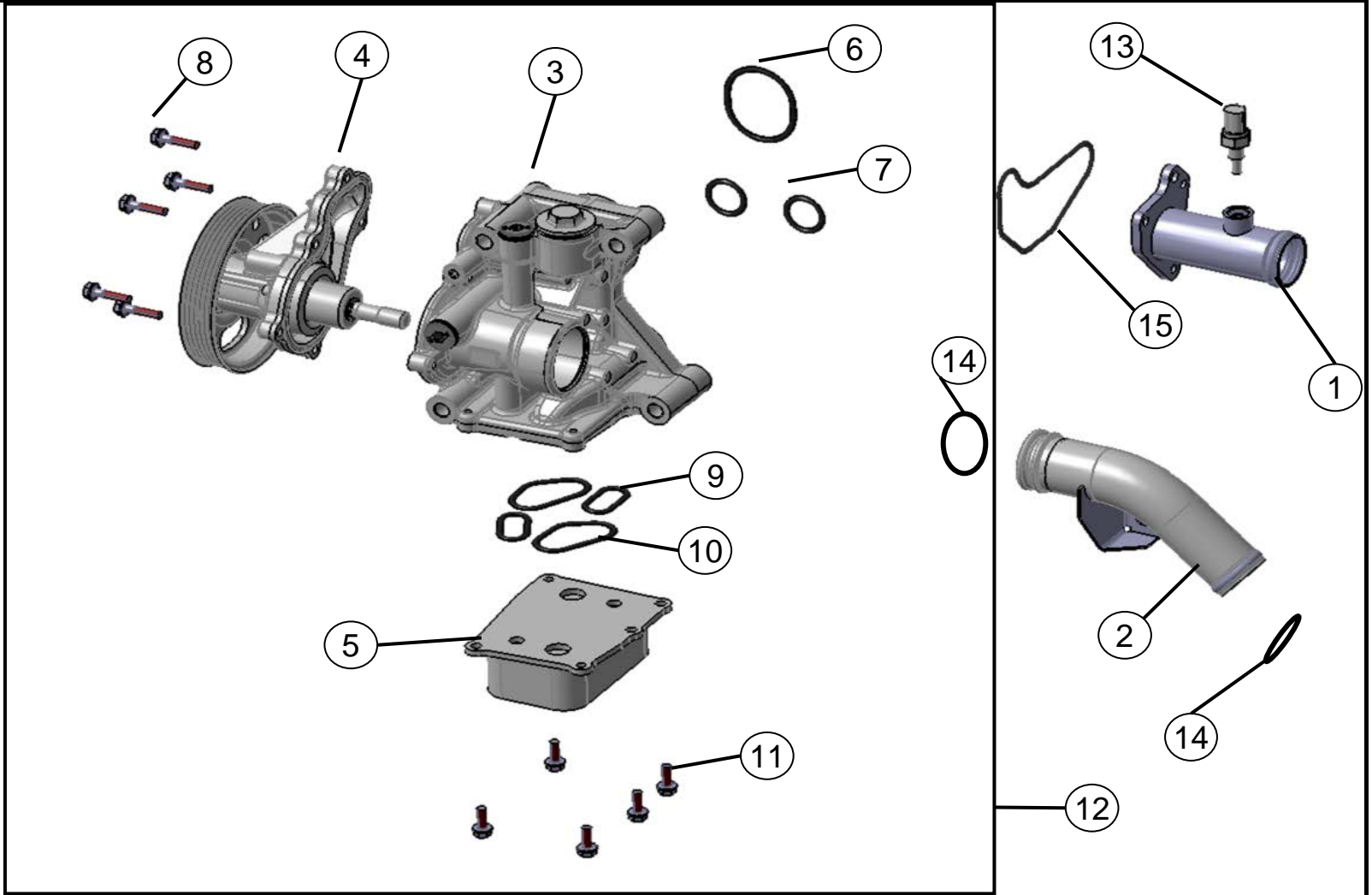
OIL COOLER



No.	Part No.	Name	QTY.	Notes
1	15500FC4YB000	COOLER,ENGINE OIL	1	
2	15501FC4YA000	ADAPTER,AN10	2	
3	15511F29SA000	HOSE COMP,OIL COOLER TO FILTER	1	
4	15512F29SA000	HOSE COMP,OIL PUMP TO COOLER	1	

F4 PARTS LIST

SECTION F4 WATER PUMP AND PIPES

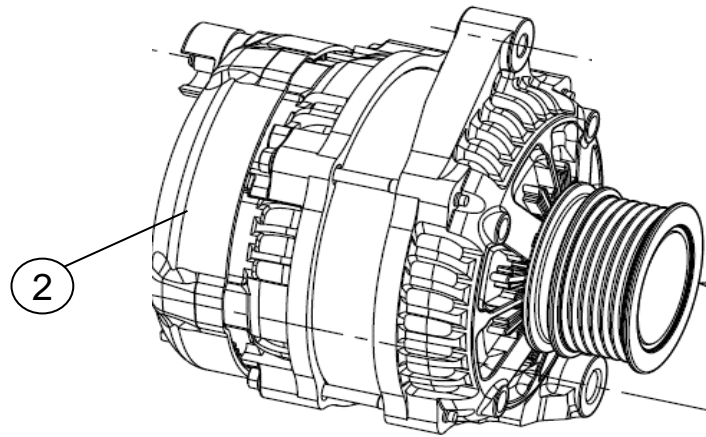
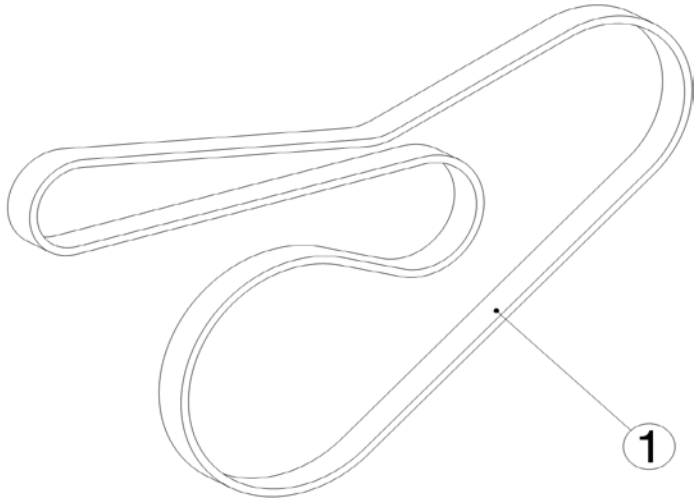


No.	Part No.	Name	QTY.	Notes
1	19321F29SA000	FLANGE,WATER OUTLET	1	
2	19505F29SA010	PIPE COMP,CONNECTING	1	
3	19410F29SA100	PASSAGE COMP,WATER	1	
4	19200RPY G010M2	PUMP COMP,WATER	1	
5	15500RPY G013M4	COOLER,ENG OIL	1	
6	19411RPY G010M2	O-RING,WATER PASSAGE(WATER)	1	
7	19412A2 A000	O-RING,WATER PASSAGE(OIL)	1	
8	957010602508	BOLT,FLANGE 6X25	5	
9	15502RPY G010M2	O-RING,OIL COOLER (WATER)	2	
10	15501RPY G010M2	O-RING,OIL COOLER (OIL)	2	
11	957010601608	BOLT,FLANGE 6X16	5	
12	19400F29SA200	PASSAGE ASSY,WATER	1	
13	37870RWCA010	SENSOR ASSY,TW	1	
14	91314PR7A00	O-RING (3.2X4.25)	2	
15	19322RPYG000	SEAL,THERMO CASE	1	

F4 PARTS LIST

SECTION

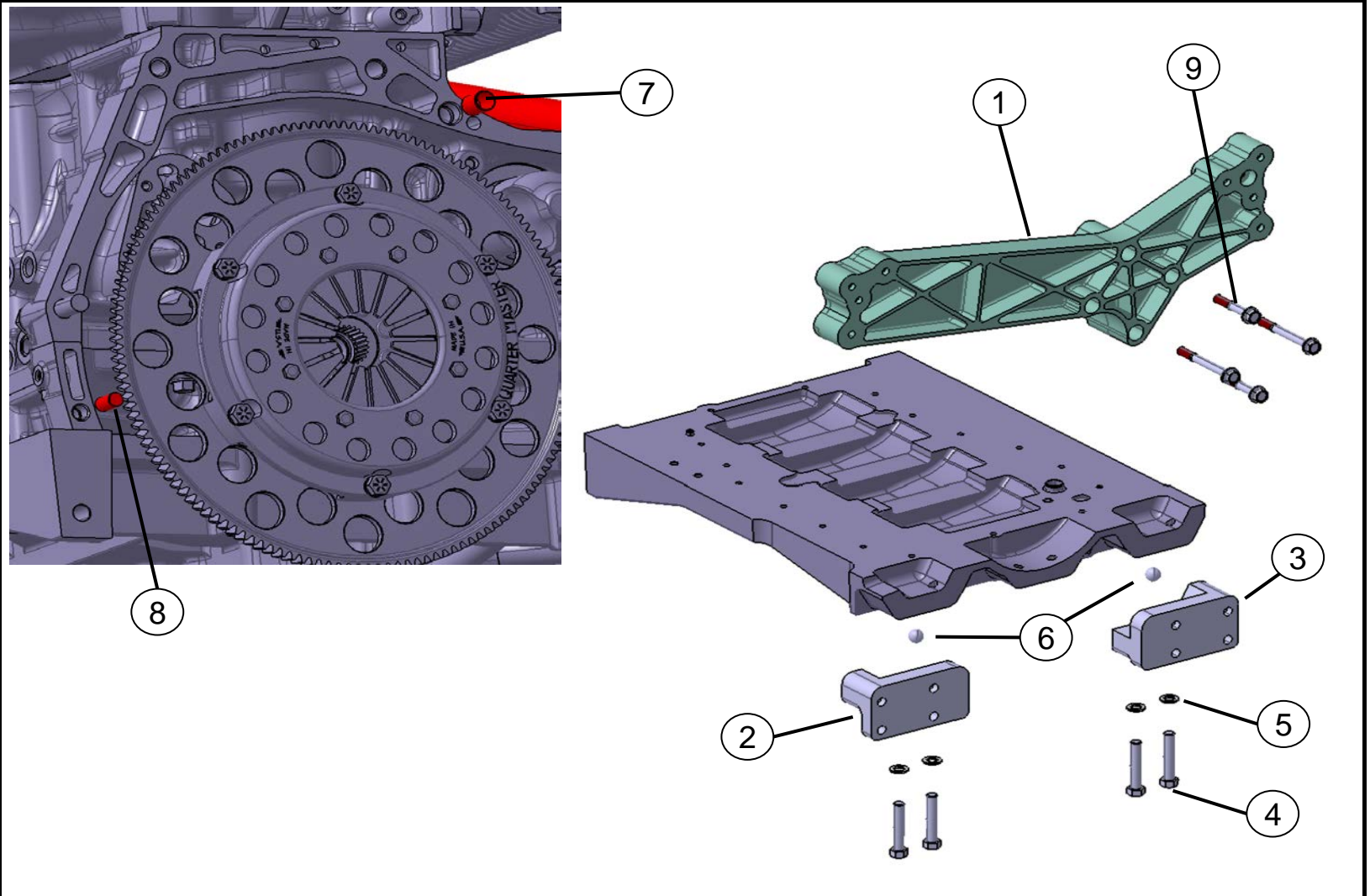
ALTERNATOR



No.	Part No.	Name	QTY.	Notes
1	31110F29SA000	BELT,ACG	1	
2	311005BF305	ALTERNATOR ASSY	1	

F4 PARTS LIST

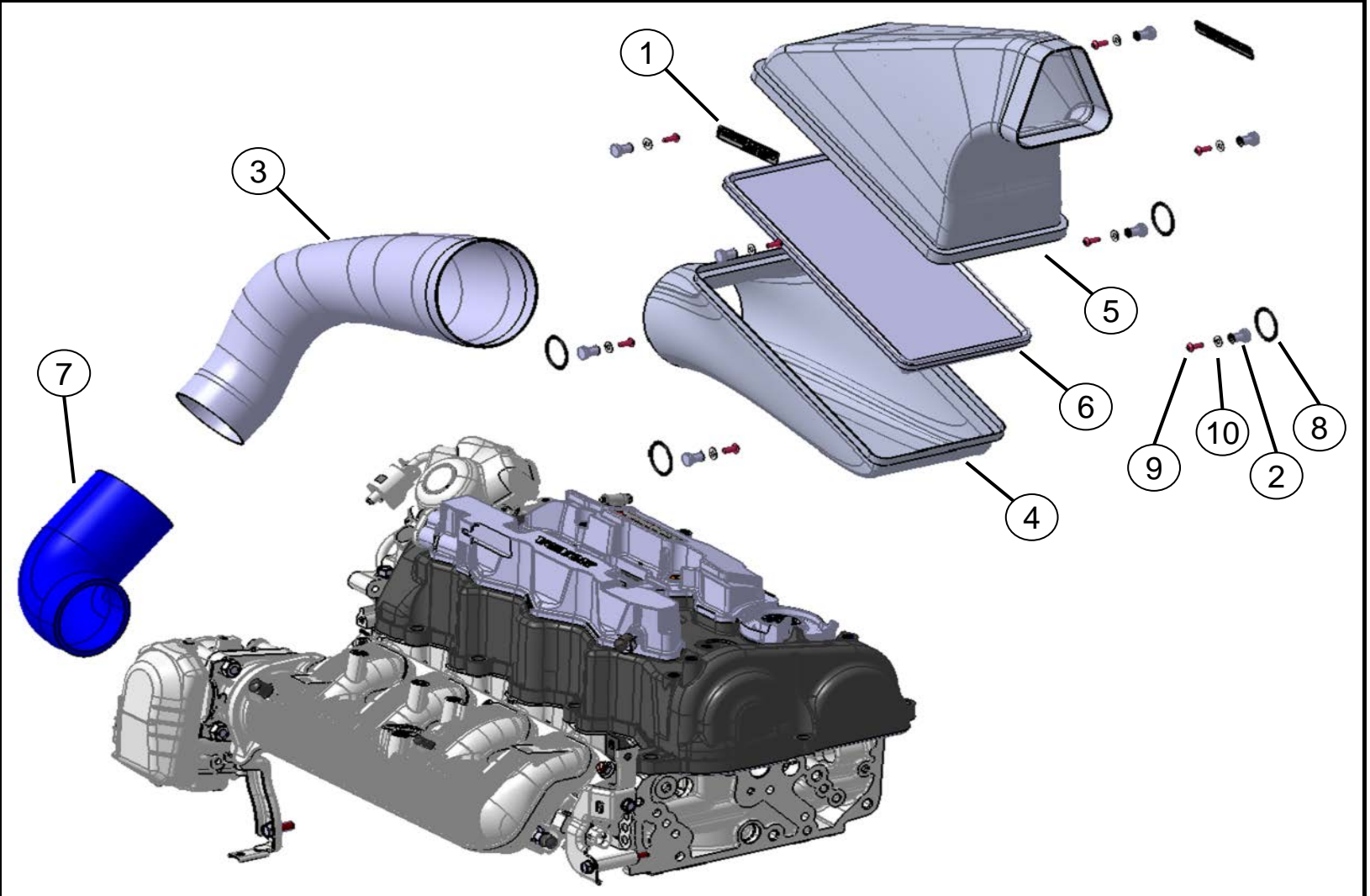
SECTION	ENGINE MOUNTS
----------------	----------------------



No.	Part No.	Name	QTY.	Notes
1	50821F29SB010	MOUNT,BILLET FRONT ENGINE	1	
2	50822F29SA020	MOUNT,R SUMP	1	
3	50823F29SA020	MOUNT,L SUMP	1	
4	90157FC4YH100	BOLT,HEX 7/16-14X2.25	4	
5	90415FC4YA000	WASHER,7/16 (NAS1149)	4	
6	90728FC4YA000	SPHERICAL,HOLLOW BALL 5/8"	2	
7	9430114200	DOWEL PIN,14X20	1	
8	9430210200	PIN,DOWEL,10X20	1	
9	90009P0A0002	BOLT,MT BRKT B	4	

F4 PARTS LIST

SECTION	F4 AIR INTAKE
----------------	----------------------

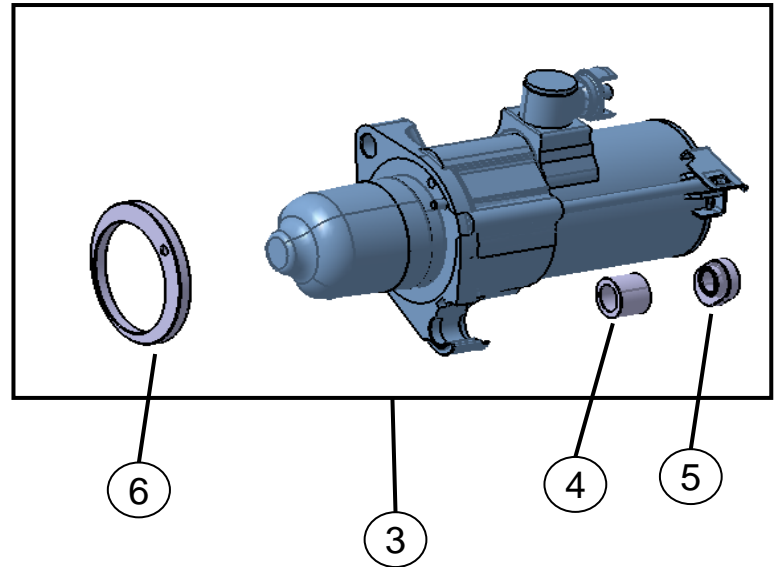
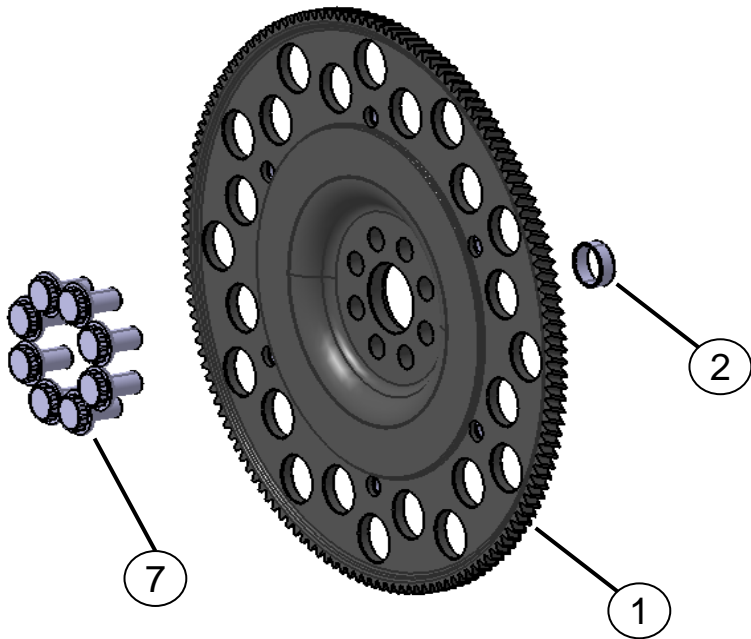


No.	Part No.	Name	QTY.	Notes
1	17029F20SA010M1	3.5INCH HPD BADGE,ENGINE	2	
2	17211F29SA000	POST LATCH,AIRBOX	8	
3	17212F29SA010M1	INTAKE PIPE	1	
4	17213F29SA010M1	LOWER FILTER TRAY,NA	1	
5	17214F29SA010M1	UPPER FILTER TRAY	1	
6	17220FC4YA000	ELEMENT ASSY,AIR CLEANER	1	
7	17294FC4YA010	HOSE,90 ELBOW TRANSITION	1	
8	91439FC4YA000	O-RING,28.24X2.62 VITON	4	
9	90113FC4YB100	BOLT,BUTTON HD SOCKET 10-32	8	
10	90416FC4YA100	WASHER,NO.10 (NAS1149) 0.032	8	

F4 PARTS LIST

SECTION

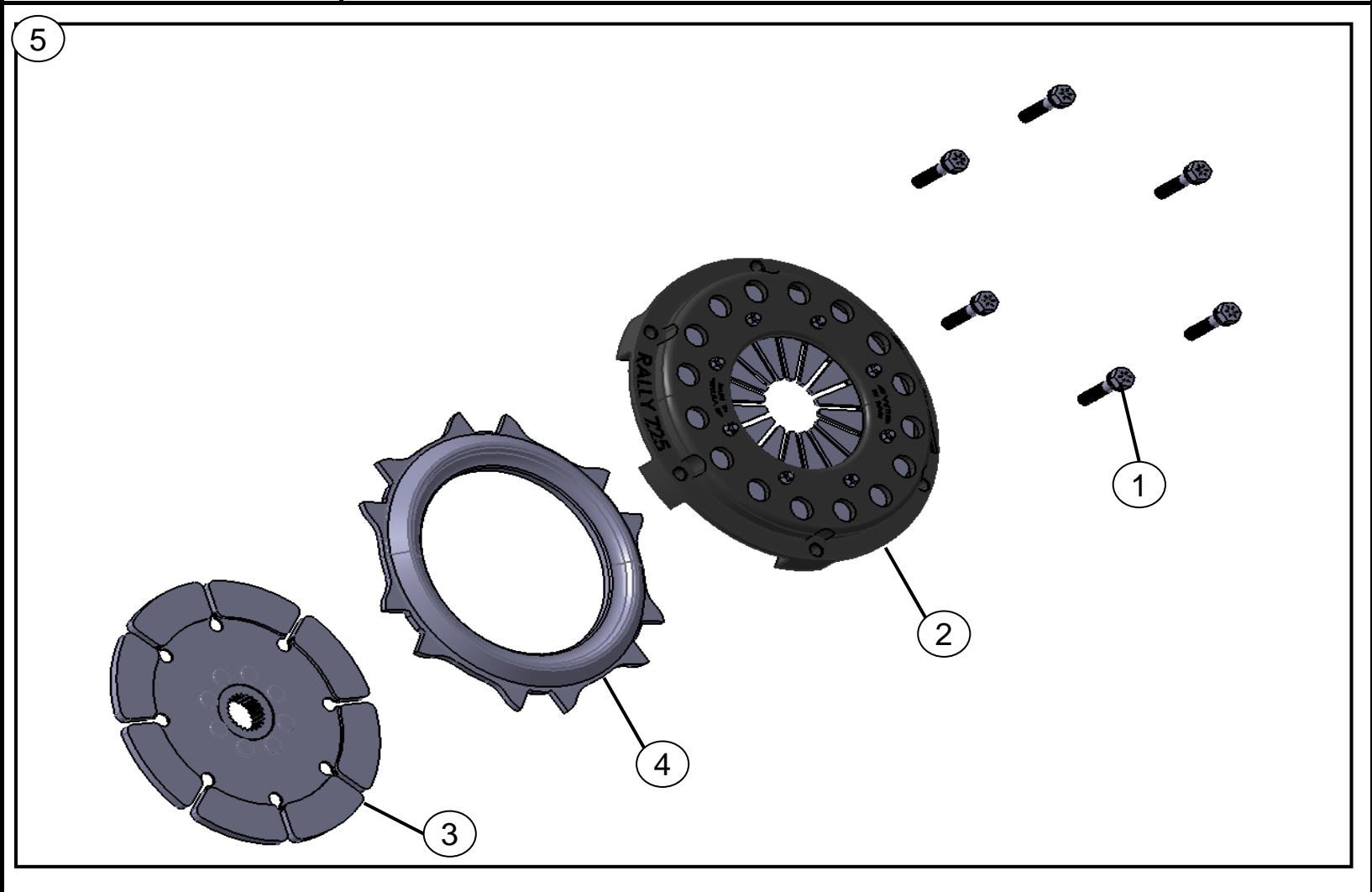
FLYWHEEL AND STARTER



No.	Part No.	Name	QTY.	Notes
1	22101F29SA011M1	FLYWHEEL	1	
2	22103-PNA-003	BUSH (21X24X8)	1	
3	31200F29SA010M1	MOTOR ASSY,STARTER	1	
4	31201F29SA010M1	BOSS,STARTER	1	
5	31202F29SA010M1	HOLD DOWN,STARTER	1	
6	31203F29SA010M1	ECCENTRIC,STARTER	1	
7	90011-PNA-B00	BOLT (12MM)	8	

F4 PARTS LIST

SECTION	CLUTCH
----------------	---------------



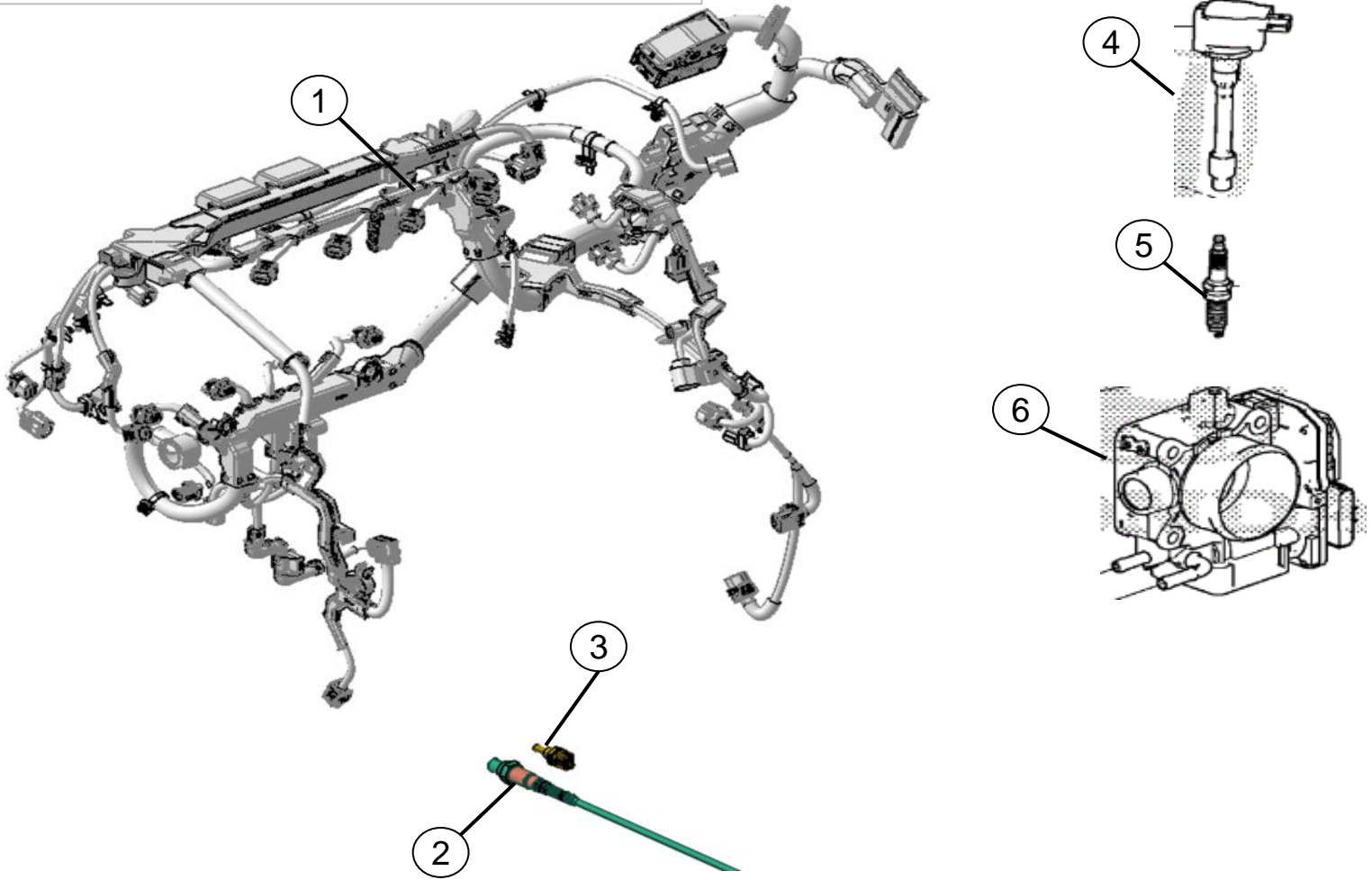
No.	Part No.	Name	QTY.	Notes
1	22102FC4YA000	CLUTCH BOLT KIT	1	
2	22201FC4YA100	COVER,CLUTCH 7.25"	1	
3	22202FC4YA100	DISK,FRICTION 7.25"	1	
4	22203FC4YA000	PLATE,PRESSURE 7.25"	1	
5	06221F29SA000	KIT,CLUTCH	1	RECOMMEND FULL KIT

F4 PARTS LIST

SECTION

WIRE HARNESS AND SENSORS

GRAPHIC NOT REPRESENTATIVE OF ACTUAL INSTALLATION



No.	Part No.	Name	QTY.	Notes
1	32110F29SA00	ENG HARN,F4	1	
2	36531FC4Y8100	SENSOR COMP,LAF	1	
3	37112FC4YA010	SENSOR,TEMP (NTC M12)	1	OIL TEMPERATURE SENSOR
4	30520-59B-013	COIL ASSY,PLUG TOP (IGNITION COIL)	4	
5	12290-59B-003	SPARK PLUG	4	
6	16400-RPY-G01	BODY A, ELECTRONIC CONTROL THROTTLE	1	

F4 PARTS LIST

SECTION

ELECTRONIC CONTROL UNIT



1

No.	Part No.	Name	QTY.	Notes
1	37820F29SA00	ELECTRONIC CONTROL UNIT	1	