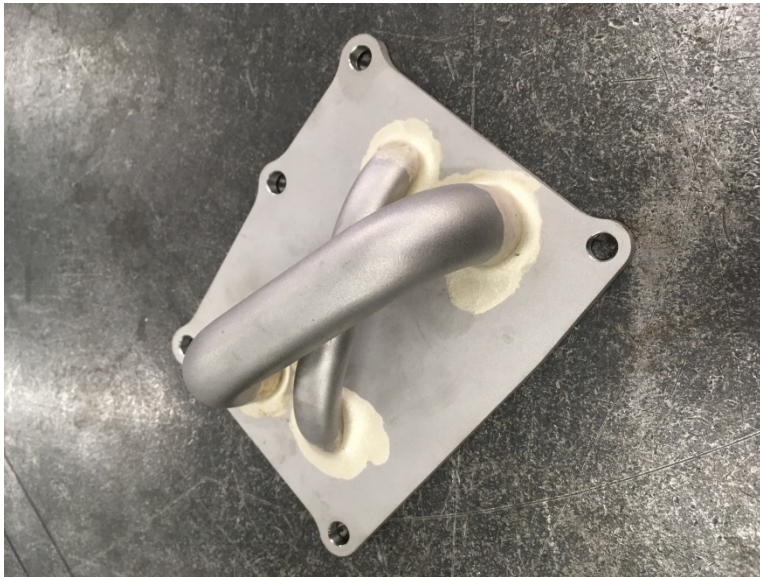


## Engine Heat Exchanger Bypass

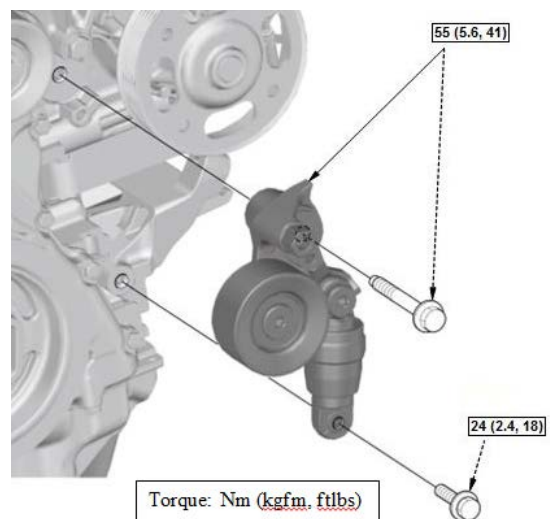
Optional Update, FIA Type 1 Part

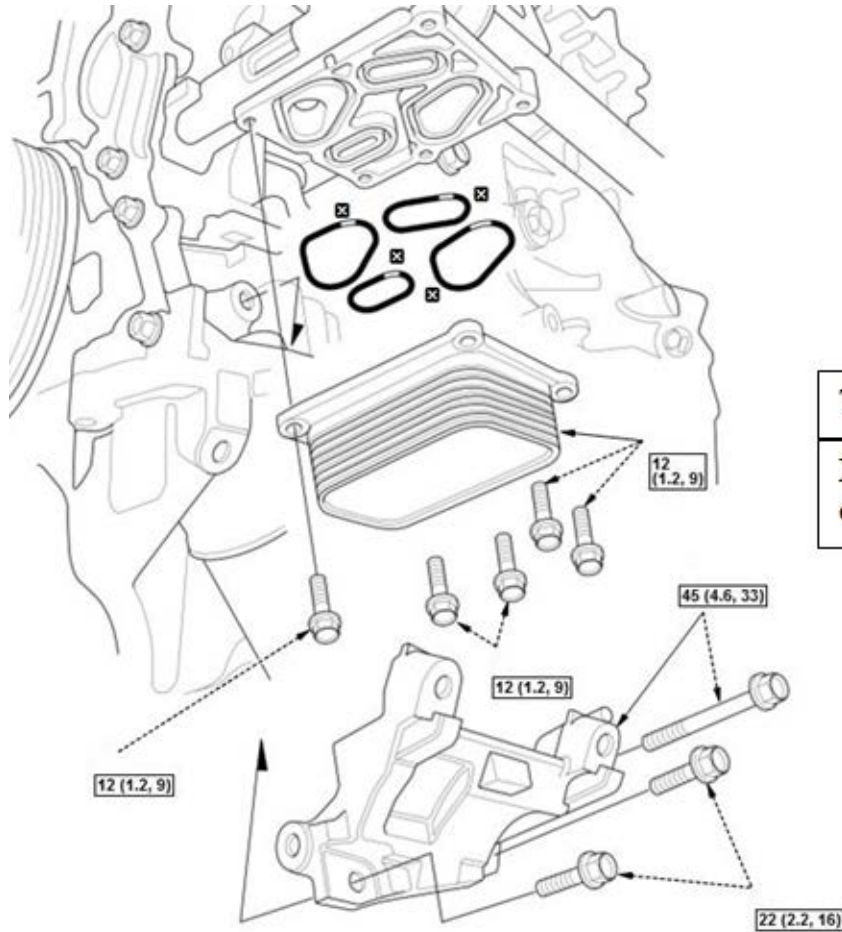
PN: CCF4-06-042 HEAT EXCHANGER BYPASS

A heat exchanger bypass has been manufactured to eliminate the OE heat exchanger in an attempt to decrease water temperature. With this update, an increase in oil temperature at full load is possible. Parts will be available for purchase in the Onroak Trailer starting at May Road Atlanta Event.



1. Drain Water
2. Remove accessory belt
3. Remove Auto-tensioner
4. Remove A/C Compressor bracket and heat exchanger.
5. Install Bypass using original O-Rings and hardware, replace if damaged. Use torque values supplied in this document.
6. Re-install a/c bracket, tensioner, and accessory belt in reverse order.
7. Fill fluids per standard operating procedure.





Torque: Nm (kgfm, ftlbs)

X: inspect and replace if damaged