

CRAWFORD F4

Bulletin F4.15.08.30

COOLING DUCT SCREENS

1 Available

Improved flow cooling duct screens

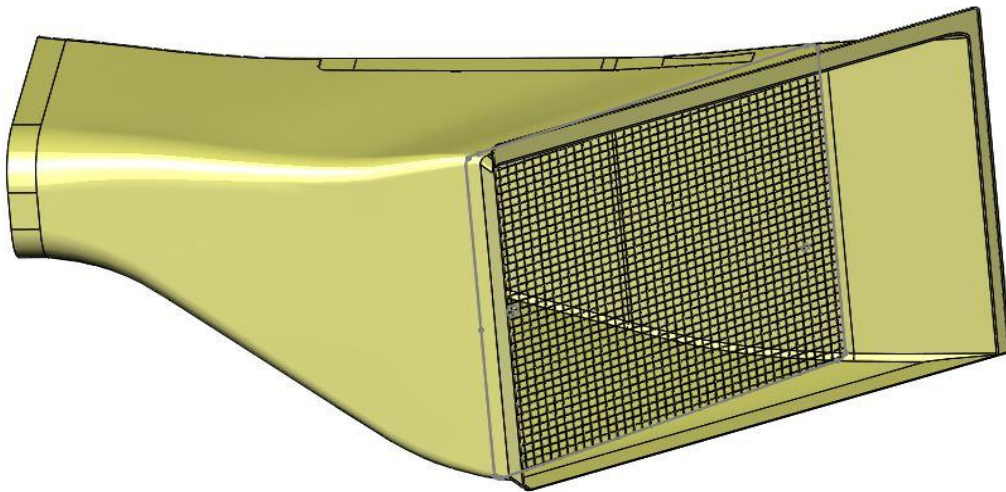
Back to back track tests confirm 10°C temp drop on water

CCF4-15-039_2 STONE GUARD LH Rev 2

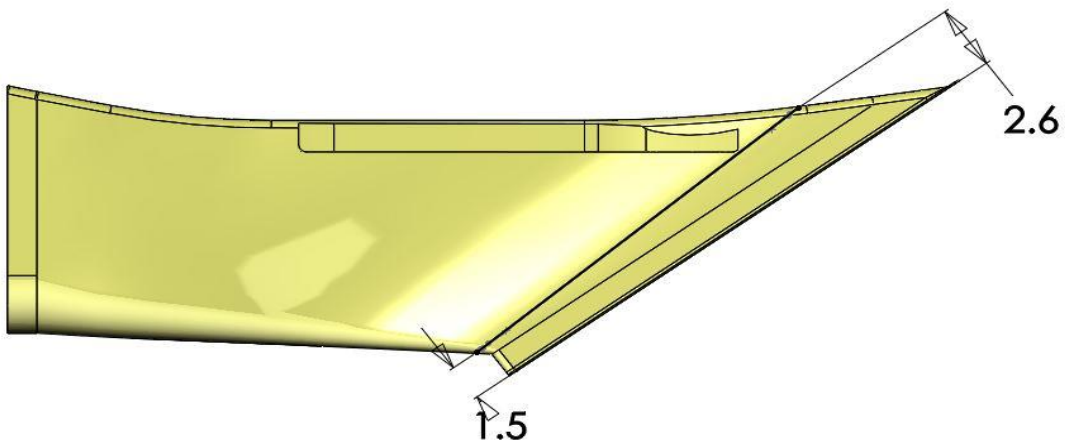
CCF4-15-040_2 STONE GUARD RH Rev 2

Contact Jake Poston for details /04 483 4175 x 2346

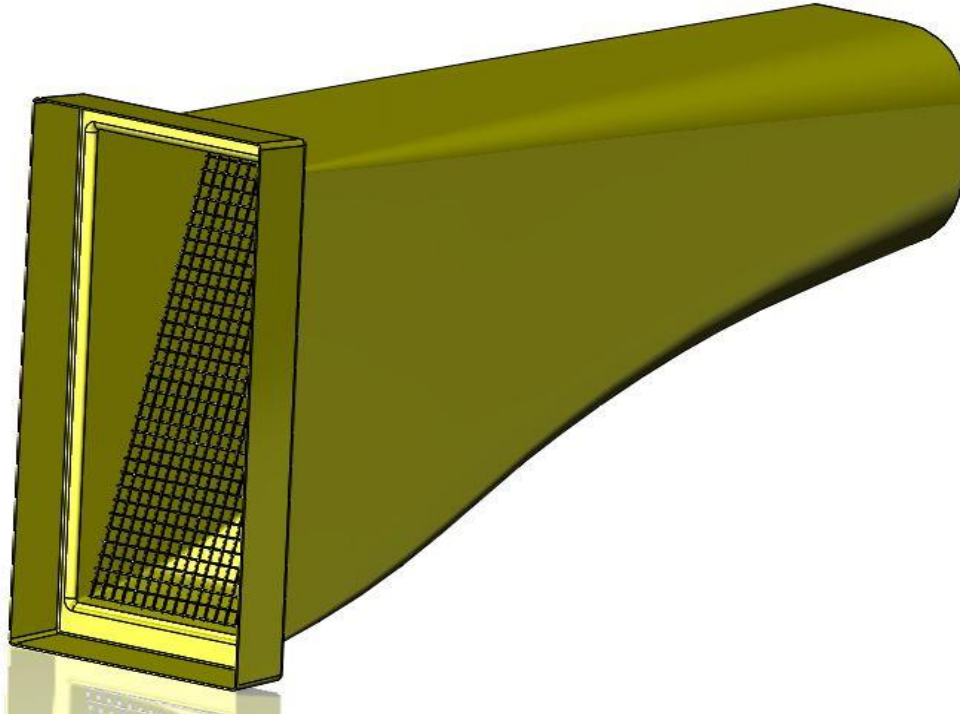
LH RADIATOR DUCT CCF4-15-039_2 STONE GUARD LH Rev 2



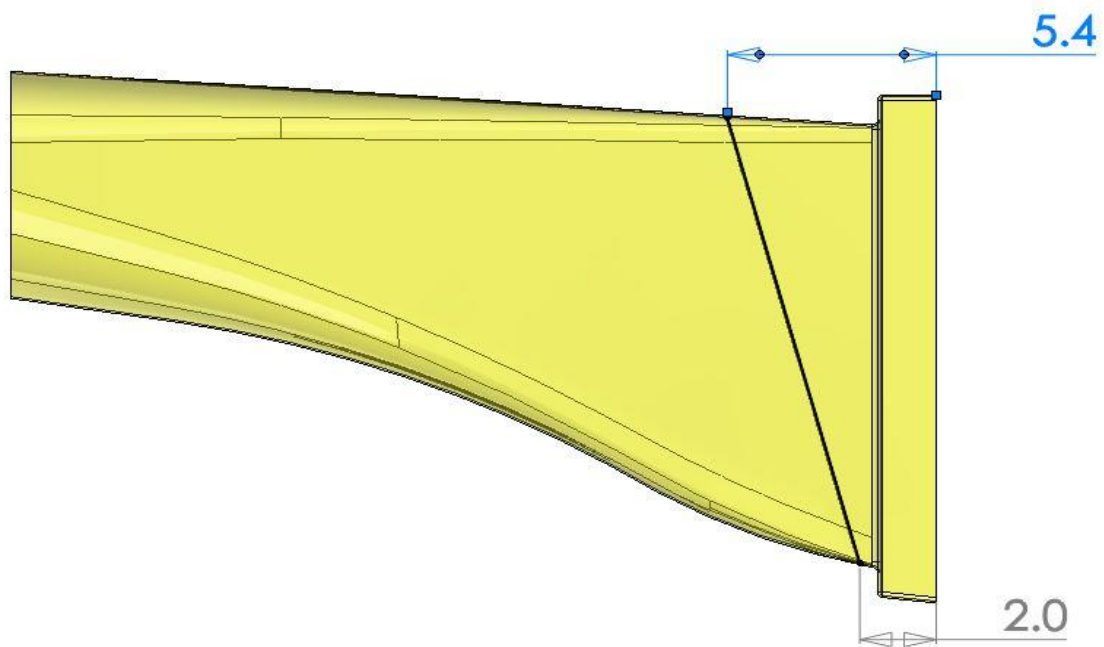
Locating dimensions



Tyrap screen to duct



Locating dimensions



Tyrap screen to duct