

## **CRAWFORD F4**

### **Bulletin F4.01.06.20**

#### **BALLAST**

Cockpit floor BLOCK A

CCF4-02-006 BALLAST COCKPIT FLOOR A - PDF, DXF, XT format supplied

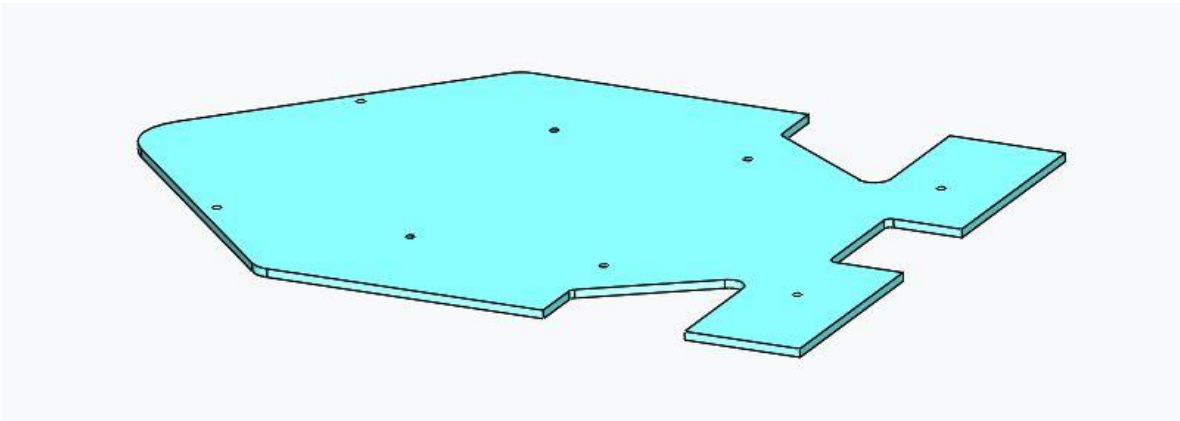
Dimensions are maximums.

Maximum thickness 0.25"

Minimum number of fixing holes 6 for cut down shape

Full shape requires all 8 fixing holes through floor. Grade 8 min Fastners

Weights Steel – 22.2 lbs (0.25" thick)                      Brass – 23.7 lbs (0.25"thick)



Cockpit floor BLOCK B

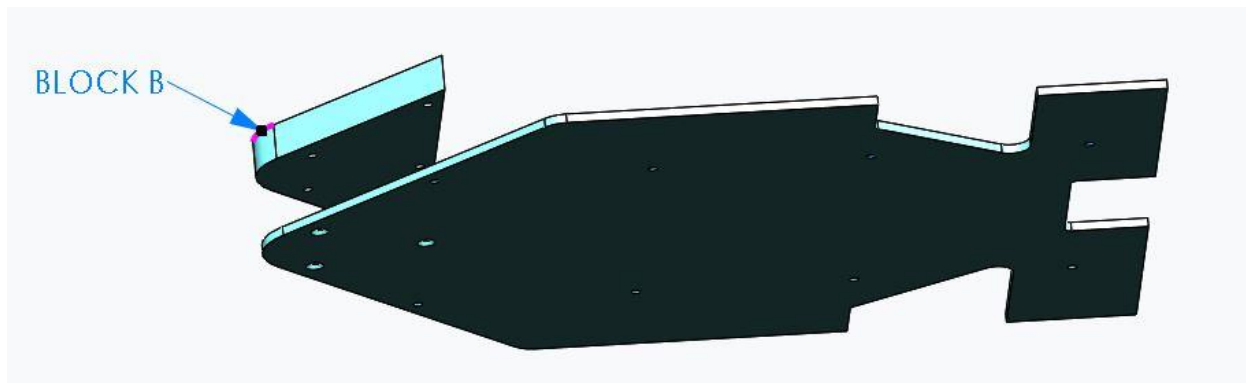
CCF4-02-006 BALLAST COCKPIT FLOOR B - PDF, DXF, XT format supplied

Dimensions are maximums.

Maximum thickness 1.00"

Requires all 5 fixing holes. 2 through chassis floor and 3 option holes in Floor A must be added, and CSK on the underside.  
Grade 8 min Fastners

Weights Steel – 8.5 lbs (1.00" thick)                      Brass – 9.2 lbs (1.00"thick)



## **BALLAST ENGINE**

Engine mtgs BLOCK A

CCF4-06-040 BALLAST ENGINE - PDF, DXF, XT format supplied

Dimensions are maximums. Part may be made smaller to achieve smaller ballast weight

Block mounts over chassis lower engine mountings, and is captured when the engine is fitted. Two 7/16 UNC bolts fix in to the oil pan. It is advisable to also use an Silicone adhesive around the block to prevent the block vibrating .

Grade 8 min Fastners

Weights Steel – 21.6 lbs

Brass – 23.2 lbs

